

RYOBI®

RCS1935B
RCS2340B

ORIGINAL INSTRUCTIONS
TRADUCTION DES INSTRUCTIONS ORIGINALES
ÜBERSETZUNG DER ORIGINALANLEITUNG
TRADUCCIÓN DE LAS INSTRUCCIONES ORIGINALES
TRADUZIONE DELLE ISTRUZIONI ORIGINALI
VERTALING VAN DE ORIGINELE INSTRUCTIES
TRADUÇÃO DAS INSTRUÇÕES ORIGINAIS
OVERSÆTTELSE AF DE ORIGINALE INSTRUKTIONER
ÖVERSÄTTNING AV DE URSPRUNGLIGA INSTRUKTIONERNA
ALKUPERÄISTEN OHJEIDEN SUOMENNO
OVERSETTELSE AV DE ORIGINALE INSTRUKSJONENE
ПЕРЕВОД ОРИГИНАЛЬНЫХ ИНСТРУКЦИЙ
TŁUMACZENIE INSTRUKCJI ORYGINALNEJ
PŘEKLAD ORIGINÁLNÍCH POKYNŮ
AZ EREDETI ÚTMUTATÓ FORDÍTÁSA
TRADUCEREA INSTRUCȚIUNILOR ORIGINALE
TULKOTS NO ORIGINĀLĀS INSTRUKCIJAS
ORIGINALIŲ INSTRUKCIJŲ VERTIMAS
ORIGINAALJUHENDI TÖLGE
PRIJEVOD ORIGINALNIH UPUTA
PREVOD ORIGINALNIH NAVODIL
PŘEKLAD ORIGINÁLNYCH POKYNOV
ПРЕВОД ОТ ОРИГИНАЛНИТЕ ИНСТРУКЦИИ
ПЕРЕКЛАД ОРИГИНАЛЬНИХ ИНСТРУКЦІЙ
ORIJINAL TALIMATLARIN ÇEVIRILERI

EN
FR
DE
ES
IT
NL
PT
DA
SV
FI
NO
RU
PL
CS
HU
RO
LV
LT
ET
HR
SL
SK
BG
UK
TR



| | |
|--------------------------------|--|
| Important! | It is essential that you read the instructions in this manual before assembling, maintaining and operating the product. |
| Attention! | Il est essentiel que vous lisiez les instructions contenues dans ce manuel avant d'assembler, d'entretenir et d'utiliser le produit. |
| Achtung! | Es ist wichtig, dass Sie vor Zusammenbau, Wartung und Benutzung des Produktes die Anweisungen in dieser Anleitung lesen. |
| ¡Atención! | Resulta fundamental que lea este manual de instrucciones antes de realizar el montaje, el mantenimiento y de utilizar este producto |
| Attenzione! | E' importante leggere le istruzioni contenute nel presente manuale prima di montare il prodotto, svolgere le operazioni di manutenzione sullo stesso e metterlo in funzione. |
| Let op! | Het is van essentieel belang dat u de instructies in deze gebruiksaanwijzing leest voor u het product monteert, onderhoudt en gebruikt. |
| Atenção! | É fundamental que leia as instruções deste manual antes da montagem, manutenção e operação do aparelho. |
| OBS! | Det er vigtigt, at man læser instrukserne i denne brugsanvisning, inden man samler, vedligeholder og betjener produktet. |
| Observera! | Det är viktigt att du läser instruktionerna i manualen före montering, användning och underhåll av produkten. |
| Huomio! | On tärkeää, että luet tämän käsikirjan ohjeet ennen tuotteen kokoamista, huoltoa ja käyttöä. |
| Advarsel! | Det er viktig at du leser instruksjonene i denne manualen før sammensetning, vedlikehold og bruk av produktet |
| Внимание! | Необходимо прочитать инструкции в данном руководстве перед сборкой, обслуживанием и эксплуатацией этого изделия. |
| Uwaga! | Koniecznienależyprzeczytaćinstrukcjezawarte w tym podręczniku przed montażem, obsługą oraz konserwacją produktu. |
| Důležitostě upozornění! | Neinstalujte, neprovádějte údržbu ani nepoužívejte tento výrobek dříve, než si přečtete pokyny uvedené v tomto návodu. |
| Figyelem! | Fontos, hogy a termék összeszerelése, karbantartása és használatá előtt elolvassa a kézikönyvben található utasításokat. |
| Atenție! | Este esențial să citiți instrucțiunile din acest manual înainte de asamblare, efectuarea întreținerii și operarea produsului. |
| Uzmanību! | Ir svarīgi izlasīt šīs rokasgrāmatas instrukcijas pirms uzstādīšanas, apkopes un precas darbināšanas. |
| Dėmesio! | Prieš surenkant, prižiūrint ir naudojant gaminį, būtina perskaityti šiame vadove pateiktus nurodymus. |
| Tähtis! | Enne masina kokkupanekut, hooldamist ja kasutama hakkamist tuleb käesolevas juhendis esitatud juhised kindlasti läbi lugeda. |
| Upozorenje! | Vrlo je važno da ste prije sklapanja, održavanja i rada s ovim proizvodom pročitali upute u ovom priručniku. |
| Pomembno! | Pomembno je da pred montažo vzdrževanjem in uporabo tega izdelka preberete navodila v tem priručniku. |
| Upozornenie! | Je dôležité, aby ste si pred montážou, údržbou a obsluhou produktu prečítali pokyny v tomto návode. |
| Важно! | Исключително важно е да прочетете инструкциите в настоящото ръководство, преди да преминете към сглобяване, поддръжка или работа с продукта. |
| Важливо! | Дуже важливо, щоб ви прочитали інструкції в цьому керівництві перед складанням, обслуговуванням та експлуатацією цієї машини. |
| Önemli! | Ürünü monte etmeden, kullanmadan ve bakımını yapmadan önce bu kılavuzdaki talimatları okumanız önemlidir. |

Subject to technical modification | Sous réserve de modifications techniques | Technische Änderungen vorbehalten | Bajo reserva de modificaciones técnicas | Con riserva di eventuali modifiche tecniche | Technische wijzigingen voorbehouden | Com reserva de modificações técnicas | Med forbehold for tekniske ændringer | Med förbehåll för tekniska ändringar | Tekniset muutokset varataan | Med forbehold om tekniske ændringer | могут быть внесены технические изменения | Z zastrzeżeniem modyfikacji technicznych | Změny technických údajů vyhrazeny | A műszaki módosítás jogát fenntartjuk | Sub rezerva modificățiilor tehnice | Paturam tiesības mainīt tehniskos raksturlielumus | Pasiliekan teisę daryti techninius pakeitimus | Tehnilised muudatused võimalikud | Podloženo tehničkim promjenama | Tehnične spremembe dopuščene | Právo na technické zmeny je vyhradené | Подлежи на технически модификации | Є об'єктом для технічних змін | Teknik değişikliğe tabidir.

Safety, performance, and dependability have been given top priority in the design of your electric chainsaw.

INTENDED USE

The electric chainsaw is only intended for use outdoors. For safety reasons, the product must be adequately controlled by using two-handed operation at all times.

The product is designed for cutting branches, trunks, logs, and beams of a diameter determined by the cutting length of the guide bar. It is only designed to cut wood. It is only to be used in domestic application by adults who have received adequate training on the hazards and preventative measures/actions to be taken while using the product.

The product is not to be used by children or by persons not wearing adequate personal protective equipment and clothing. It is also not to be used for professional tree services.

Do not use the product for any other purpose.

⚠ WARNING

When using the product, the safety rules must be followed. For your own safety and that of bystanders, you must read and fully understand these instructions before operating the product. You should attend a professionally organised course on the use and maintenance of chainsaws, preventative actions, and first aid. Please keep these instructions safe for later use.

⚠ WARNING

Chainsaws are potentially dangerous tools. Accidents involving the use of chainsaws often result in loss of limbs or death. It is not just the chainsaw that is the hazard. Falling branches, toppling trees, rolling logs can all kill. Diseased or rotting timber poses additional hazards. You should assess your capability of completing the task safely. If there is any doubt, leave it to a professional tree surgeon.

GENERAL POWER TOOL SAFETY WARNINGS

⚠ WARNING

Read all safety warnings and all instructions. Failure to follow the warnings and instructions may result in electric shock, fire and/or serious injury.

Save all warnings and instructions for future reference.

The term "power tool" in the warnings refers to your mains-operated (corded) power tool or battery-operated (cordless) power tool.

WORK AREA SAFETY

- **Keep work area clean and well lit.** Cluttered or dark areas invite accidents.
- **Do not operate power tools in explosive atmospheres, such as in the presence of flammable**

liquids, gases or dust. Power tools create sparks which may ignite the dust or fumes.

- **Keep children and bystanders away while operating a power tool.** Distractions can cause you to lose control.

ELECTRICAL SAFETY

- **Power tool plugs must match the outlet. Never modify the plug in any way. Do not use any adapter plugs with earthed (grounded) power tools.** Unmodified plugs and matching outlets will reduce risk of electric shock.
- **Avoid body contact with earthed or grounded surfaces, such as pipes, radiators, ranges and refrigerators.** There is an increased risk of electric shock if your body is earthed or grounded.
- **Do not expose power tools to rain or wet conditions.** Water entering a power tool will increase the risk of electric shock.
- **Do not abuse the cord. Never use the cord for carrying, pulling or unplugging the power tool. Keep cord away from heat, oil, sharp edges or moving parts.** Damaged or entangled cords increase the risk of electric shock.
- **When operating a power tool outdoors, use an extension cord suitable for outdoor use.** Use of a cord suitable for outdoor use reduces the risk of electric shock.
- **If operating a power tool in a damp location is unavoidable, use a residual current device (RCD) protected supply.** Use of an RCD reduces the risk of electric shock.

PERSONAL SAFETY

- **Stay alert, watch what you are doing and use common sense when operating a power tool. Do not use a power tool while you are tired or under the influence of drugs, alcohol or medication.** A moment of inattention while operating power tools may result in serious personal injury.
- **Use personal protective equipment. Always wear eye protection.** Protective equipment such as dust mask, non-skid safety shoes, hard hat or hearing protection used for appropriate conditions will reduce personal injuries.
- **Prevent unintentional starting. Ensure the switch is in the off-position before connecting to power source and/or battery pack, picking up or carrying the tool.** Carrying power tools with your finger on the switch or energising power tools that have the switch on invites accidents.
- **Remove any adjusting key or wrench before turning the power tool on.** A wrench or a key left attached to a rotating part of the power tool may result in personal injury.
- **Do not overreach. Keep proper footing and balance at all times.** This enables better control of the power tool in unexpected situations.
- **Dress properly. Do not wear loose clothing or jewellery. Keep your hair, clothing and gloves away**

EN

FR

DE

ES

IT

NL

PT

DA

SV

FI

NO

RU

PL

CS

HU

RO

LV

LT

ET

HR

SL

SK

BG

UK

TR

from moving parts. Loose clothes, jewellery or long hair can be caught in moving parts.

- **If devices are provided for the connection of dust extraction and collection facilities, ensure these are connected and properly used.** Use of dust collection can reduce dust-related hazards.

POWER TOOL USE AND CARE

- **Do not force the power tool. Use the correct power tool for your application.** The correct power tool will do the job better and safer at the rate for which it was designed.
- **Do not use the power tool if the switch does not turn it on and off.** Any power tool that cannot be controlled with the switch is dangerous and must be repaired.
- **Disconnect the plug from the power source and/or the battery pack from the power tool before making any adjustments, changing accessories or storing power tools.** Such preventive safety measures reduce the risk of starting the power tool accidentally.
- **Store idle power tools out of the reach of children and do not allow persons unfamiliar with the power tool or these instructions to operate the power tool.** Power tools are dangerous in the hands of untrained users.
- **Maintain power tools. Check for misalignment or binding of moving parts, breakage of parts and any other condition that may affect the power tool's operation. If damaged, have the power tool repaired before use.** Many accidents are caused by poorly maintained power tools.
- **Keep cutting tools sharp and clean.** Properly maintained cutting tools with sharp cutting edges are less likely to bind and are easier to control.
- **Use the power tool, accessories and tool bits etc, in accordance with these instructions, taking into account the working conditions and the work to be performed.** Use of the power tool for operations different from those intended could result in a hazardous situation.
- **Keep handles and grasping surfaces dry, clean and free from oil and grease.** Slippery handles and grasping surfaces do not allow for safe handling and control of the tool in unexpected situations.

SERVICE

- **Have your power tool serviced by a qualified repair person using only identical replacement parts.** This will ensure that the safety of the power tool is maintained.

ADDITIONAL GENERAL SAFETY WARNINGS

- Some regions have regulations that restrict the use of the product. Check with your local authority for advice.
- Never allow children or people unfamiliar with the instructions to use the product. Local regulations may restrict the age of the operator.
- Ensure before each use that all controls and safety devices function correctly. Do not use the power tool if the "off" switch does not stop the motor.

- Wear full eye and hearing protection, strong sturdy gloves, as well as head protection while operating the product. Use a face mask if operation is dusty.
- Do not wear loose fitting clothing, short trousers, or jewellery of any kind.
- Secure long hair so it is above shoulder level to prevent entanglement in moving parts.
- Beware of thrown, flying, or falling objects. Keep all bystanders, children, and animals at least 15 m away from work area.
- Do not operate in poor lighting. The operator requires a clear view of the work area to identify potential hazards.
- Use of hearing protection reduces the ability to hear warnings (shouts or alarms). The operator must pay extra attention to what is going on in the working area.
- Operating similar tools nearby increases both the risk of hearing injury and the potential for other persons to enter your working area.
- Keep firm footing and balance. Do not overreach. Overreaching can result in loss of balance and can increase the risk of kickback.
- Keep all parts of your body away from any moving part.
- Inspect the product before each use. Check for correct operation of all controls, including the chain brake. Check for loose fasteners, make sure all guards, and handles are properly and securely attached. Replace any damaged parts before use.
- Do not modify the product in any way or use parts and accessories which are not recommended by the manufacturer.
- A power spike causes voltage fluctuations and may affect other electrical products in the same power line. Connect the product to a power supply with an impedance equal or less than 0.33 Ω to minimize voltage fluctuations. Contact your electric power supplier for further clarification.

WARNING

If the product is dropped, suffers heavy impact or begins to vibrate abnormally, immediately stop the product and inspect for damage or identify the cause of the vibration. Any damage should be properly repaired or replaced by an authorised service centre.

- Electrical power should be supplied via a residual current device (RCD) with a tripping current of not more than 30 mA.
- If you need to use an extension cable, ensure it is suitable for outdoor use and has a current capacity sufficient to supply your product. Check it before every use for damage. Always uncoil it during use because coiled cables can overheat. Damaged extension cables should not be repaired; they should be replaced with an equivalent type.
- If the power cable becomes damaged, it must be replaced before using.
- Make sure the power cord is positioned so that it cannot be damaged by the cutting means and will not be stepped on, tripped over, or otherwise subjected to

damage or stress.

- Never pick up or carry the product by the electric cable.
- Never pull the power cord to disconnect from the power supply.
- Keep the power cord away from heat, oil, and sharp edges.
- Before every use, examine the supply cord for damage. If there are signs of damage, it must be replaced by a qualified person at an authorised service centre to avoid a hazard.

CHAINSAW SAFETY WARNINGS

- **Keep all parts of the body away from the saw chain when operating the product. Before you start the chainsaw, make sure the saw chain is not contacting anything.** A moment of inattention while operating chainsaws may cause entanglement of your clothing or body with the saw chain.
- **Always hold the chainsaw with your right hand on the rear handle and your left hand on the front handle.** Holding the chainsaw with a reversed hand configuration increases the risk of personal injury and should never be done.
- **Hold the power tool by the insulated gripping surface only, because the saw chain may contact hidden wiring or its own cord.** Saw chains contacting a "live" wire may make exposed metal parts of the power tool "live" and could give the operator an electric shock.
- **Wear safety glasses and hearing protection. Further protective equipment for head, hands, legs and feet is recommended.** Adequate protective clothing will reduce personal injury by flying debris or accidental contact with the saw chain.
- **Do not operate a chainsaw in a tree.** Operation of a chainsaw while up in a tree may result in personal injury.
- **Always keep proper footing and operate the chainsaw only when standing on fixed, secure and level surface.** Slippery or unstable surfaces such as ladders may cause a loss of balance or control of the chainsaw.
- **When cutting a limb that is under tension be alert for spring back.** When the tension in the wood fibres is released the spring loaded limb may strike the operator and/or throw the chainsaw out of control.
- **Use extreme caution when cutting brush and saplings.** The slender material may catch the saw chain and be whipped toward you or pull you off balance.
- **Carry the chainsaw by the front handle with the chainsaw switched off and away from your body. When transporting or storing the chainsaw always fit the guide bar cover.** Proper handling of the chainsaw will reduce the likelihood of accidental contact with the moving saw chain.
- **Follow instructions for lubricating, chain tensioning and changing accessories.** Improperly tensioned or lubricated chain may either break or increase the

chance for kickback.

- **Keep handles dry, clean, and free from oil and grease.** Greasy, oily handles are slippery causing loss of control.
- **Cut wood only. Do not use chainsaw for purposes not intended. For example: do not use chainsaw for cutting plastic, masonry or non-wood building materials.** Use of the chainsaw for operations different than intended could result in a hazardous situation.

Causes and operator prevention of kickback:

Kickback may occur when the nose or tip of the guide bar touches an object, or when the wood closes in and pinches the saw chain in the cut.

Tip contact in some cases may cause a sudden reverse reaction, kicking the guide bar up and back towards the operator.

Pinching the saw chain along the top of the guide bar may push the guide bar rapidly back towards the operator.

Either of these reactions may cause you to lose control of the saw which could result in serious personal injury. Do not rely exclusively upon the safety devices built into your saw. As a chainsaw user, you should take several steps to keep your cutting jobs free from accident or injury.

Kickback is the result of tool misuse and/or incorrect operating procedures or conditions and can be avoided by taking proper precautions as given below:

- **Maintain a firm grip, with thumbs and fingers encircling the chainsaw handles, with both hands on the saw and position your body and arm to allow you to resist kickback forces.** Kickback forces can be controlled by the operator, if proper precautions are taken. Do not let go of the chainsaw.
- **Do not overreach and do not cut above shoulder height.** This helps prevent unintended tip contact and enables better control of the chainsaw in unexpected situations.
- **Only use replacement bars and chains specified by the manufacturer.** Incorrect replacement bars and chains may cause chain breakage and/or kickback.
- **Follow the manufacturer's sharpening and maintenance instructions for the saw chain.** Decreasing the depth gauge height can lead to increased kickback.

ADDITIONAL CHAINSAW SAFETY WARNINGS

- It is recommended to cut logs on a saw-horse or cradle when operating the product the first time.
- Ensure all guards, handles and spiked bumper are properly fitted and are in good condition.
- Persons using the product should be in good health. The product is heavy, so the operator must be physically fit. The operator should be alert, have a good vision, mobility, balance, and manual dexterity. If there is any doubt, do not operate the product.
- Do not start using the product until you have a clear work area, secure footing, and a planned retreat path away from the falling tree.
- Beware of the emission of lubricant mist and saw dust. Wear a mask or respirator, if required.

- If the power cable becomes damaged, have the product serviced by an authorised service centre only.
- Always keep the power cable tidy and away from the area of cutting. Apart from the danger of electrocution, untidy cables cause falls and trips.
- Do not cut vines and/or small undergrowth (less than 75 mm in diameter).
- Always hold the chainsaw with both hands during operation. Use a firm grip with thumbs and fingers encircling the chainsaw handles. Right hand must be on the rear handle and left hand on the front handle.
- Before starting the product, make sure the saw chain is not contacting any object.
- Do not modify the product in any way or use it to power any attachments or devices not recommended by the manufacturer for your saw.
- There should be a first-aid kit containing large wound dressings and a means to summon attention (e.g., whistle) close to the operator. A larger more comprehensive kit should be reasonably nearby.
- Wear a helmet at all times when operating the product. A helmet, equipped with mesh visor, can help reduce the risk of injury to the face and the head if kickback occurs.
- An incorrectly tensioned chain can jump off the guide bar and could result in serious injury or fatality. The length of chain depends on the temperature. Check the tension frequently.
- You should get used to your new chainsaw by making simple cuts on securely supported wood. Do this whenever you have not operated the saw for some time.
- To reduce the risk of injury associated with contacting moving parts, always stop the motor, apply chain brake, and remove the plug from the power outlet. Make sure all moving parts have come to a complete stop:
 - before leaving the product unattended
 - before cleaning or clearing a blockage
 - before installing or removing attachments
 - before checking, conducting maintenance, or working on the product
- The size of the work area depends on the job being performed as well as the size of the tree or work piece involved. For example, felling a tree requires a larger work area than making other cuts, i.e., bucking cuts, etc. The operator needs to be aware and in control of everything happening in this work area.
- Do not cut with your body in line with the guide bar and chain. If you do experience kickback this will help prevent the chain coming into contact with your head or body.
- Do not use a back-and-forward sawing motion, let the chain do the work, keep the chain sharp and don't try to push the chain through the cut.
- Do not put pressure on the saw at the end of the cut. Be ready to take on the weight of the saw as it cuts free from the wood. Failure to do so could result in possible serious personal injury.
- Do not stop the saw in the middle of a cutting operation.

Keep the saw running until it is already removed from the cut.

Personal protective equipment

Good quality, personal protective equipment as used by professionals will help to reduce the risk of injury to the operator. The following items should be used when operating the product:

Safety helmet

- should comply with EN 397 and be CE marked

Hearing protection

- should comply with EN 352-1 and be CE marked

Eye and face protection

- should be CE marked and comply with EN 166 (for safety glasses) or EN 1731 (for mesh visors)

Gloves

- should comply with EN381-7 and be CE marked

Leg protection (chaps)

- should comply with EN381-5, be CE marked and provide all-round protection.

Chainsaw safety boots

- should comply with EN ISO 20345:2004 and be marked with a shield depicting a chainsaw to show compliance with EN 381-3. (Occasional users may use steel toe-cap safety boots with protective gaiters which conform to EN 381-9 if the ground is even and there is little risk of tripping or catching on undergrowth)

Chainsaw jackets for upper body protection

- should comply with EN 381-11 and be CE marked

INSTRUCTIONS CONCERNING THE PROPER TECHNIQUES FOR BASIC FELLING, LIMBING, AND CROSS-CUTTING

Understanding the forces within the wood

When you understand the directional pressures and stresses inside the wood you can reduce the "pinches" or at least expect them during your cutting. Tension in the wood means the fibers are being pulled apart and if you cut in this area, the "kerf" or cut will tend to open as the saw goes through. If a log is being supported on a saw horse and the end is hanging unsupported over the end, then tension is created on the upper surface due to the weight of the overhanging log stretching the fibers. Likewise, the underside of the log will be in compression and the fibers are being pushed together. If a cut is made in this area, the kerf will have the tendency to close up during the cut. This would pinch the blade.

Felling a tree

See page 273 - 274.

When bucking and felling operations are being performed by two or more persons at the same time, the felling operations should be separated from the bucking operation by a distance of at least twice the height of the tree being felled. Trees should not be felled in a manner that would endanger any person, strike any utility line or cause any property damage. If the tree does make contact with any utility line, the company should be notified immediately.



The chainsaw operator should keep on the uphill side of the terrain as the tree is likely to roll or slide downhill after it is felled.

An escape path should be planned and cleared as necessary before cuts are started. The escape path should extend back and diagonally to the rear of the expected line of fall.

Before felling starts, consider the natural lean of the tree, the location of larger branches, and the wind direction to judge which way the tree will fall.

Remove dirt, stones, loose bark, nails, staples and wire from the tree.

Do not attempt to fell trees which are rotten or have been damaged by wind, fire, lightning, etc. This is extremely dangerous and should only be completed by professional tree surgeons.

- Notching undercut

See page 273 - 274.

Make the notch 1/3 the diameter of the tree, perpendicular to the direction of the fall. Make the lower horizontal notching cut first. This will help to avoid pinching either the saw chain or the guide bar when the second notch is being made.

- Felling back cut

See page 273 - 274.

Make the felling back cut at least 50 mm. / 2 in. higher than the horizontal notching cut. Keep the felling-back cut parallel to the horizontal notching cut. Make the felling back cut so enough wood is left to act as a hinge. The hinge wood keeps the tree from twisting and falling in the wrong direction. Do not cut through the hinge.

As the felling gets close to the hinge, the tree should begin to fall. If there is any chance that the tree may not fall in desired direction or it may rock back and bind the saw chain, stop cutting before the felling back cut is complete and use wedges of wood, plastic or aluminium to open the cut and drop the tree along the desired line of fall.

When the tree begins to fall remove the chainsaw from the cut, stop the motor, put the chainsaw down, and use the retreat path planned. Be alert for falling overhead limbs and watch your footing.

Removing buttress roots

See page 274.

A buttress root is a large root extending from the trunk of the tree above the ground. Remove large buttress roots prior to felling. Make the horizontal cut into the buttress first, followed by the vertical cut. Remove the resulting loose section from the work area. Follow the correct tree felling procedure after you have removed the large buttress roots.

Push and pull

The reaction force is always opposite to the direction the chain is moving. Thus, the operator must be ready to control the tendency for the product to pull away (forward motion) when cutting on the bottom edge of the bar. Engage always firmly the bumper spike to avoid such movement. The product can be pushed backwards (towards the operator) when cutting along the top edge. To avoid this make sure

the chain is not jammed when cutting along the top edge.

Saw jammed in the cut

Stop the chainsaw and make it safe. Do not try to force the chain and bar out of the cut as this is likely to break the chain, which may swing back and strike the operator. This situation normally occurs because the wood is incorrectly supported which forces the cut to close under compression, thereby pinching the blade. If adjusting the support does not release the bar and chain, use wooden wedges or a lever to open the cut and release the saw. Never try to start the chainsaw when the guide bar is already in a cut or kerf.

Skating / Bouncing

When the chainsaw fails to dig in during a cut, the guide bar can begin hopping or dangerously skidding along the surface of the log or branch, possibly resulting in the loss of control of the chainsaw. To prevent or reduce skating or bouncing, always use the saw with both hands. Make sure the saw chain establishes a groove for cutting.

Never cut small, flexible branches or brushes with your chainsaw. Their size and flexibility can easily cause the saw to bounce towards you or bind up with enough force to cause a kickback. The best tool for that kind of work is a hand saw, pruning shears, an axe or other hand tools.

Bucking a log

See page 275.

Bucking is cutting a log into lengths. It is important to make sure your footing is firm and your weight is evenly distributed on both feet. When possible, the log should be raised and supported by the use of limbs, logs or chocks. Follow the simple directions for easy cutting. When the log is supported along its entire length, it is cut from the top (overbuck).

When the log is supported on one end, cut 1/3 the diameter from the underside (underbuck). Then make the finished cut by overbuck to meet the first cut.

When the log is supported on both ends, cut 1/3 the diameter from the top (overbuck). Then make the finished cut by underbuck the lower 2/3 to meet the first cut.

When bucking on a slope always stand on the uphill side of the log. To maintain control when "cutting through", release the cutting pressure near the end of the cut without relaxing your grip on the chainsaw handles. Don't let the chain contact the ground. After completing the cut, wait for the saw chain to stop before you move the chainsaw. Always stop the motor before moving from tree to tree.

Limbing a tree

See page 276.

Limbing is removing the branches from a fallen tree. When limbing, leave larger lower limbs to support the log off the ground. Remove the small limbs in one cut. Branches under tension should be cut from the bottom up to avoid binding the chainsaw.

Springpoles

See page 276.

A springpole is any log, branch, rooted stump, or sapling which is bent under tension by other wood so that it springs

EN

FR

DE

ES

IT

NL

PT

DA

SV

FI

NO

RU

PL

CS

HU

RO

LV

LT

ET

HR

SL

SK

BG

UK

TR



back if the wood holding it is cut or removed.

On a fallen tree, a rooted stump has a high potential of springing back to the upright position during the bucking cut to separate the log from the stump. Watch out for springpoles—they are dangerous. Do not attempt to cut bent branches or stumps which are under tension unless you are professionally trained and competent to do so.

⚠ WARNING

Springpoles are dangerous and could strike the operator, causing the operator to lose control of the chainsaw. This could result in severe or fatal injury to the operator. This should be done by trained users.

TRANSPORTATION AND STORAGE

See page 281 - 284.

- Stop the product and disconnect it from the power supply. Allow the product to cool down before storing or transporting.
- Clean all foreign material from the product. Store it in a cool, dry, and well-ventilated place that is inaccessible to children. Keep away from corrosive agents such as garden chemicals and de-icing salts. Do not store outdoors.
- Fit the guide bar cover before storing the product or during transportation.
- For transportation, secure the product against movement or falling to prevent injury to persons or damage to the product.

MAINTENANCE

Always keep the product in good working condition.

⚠ WARNING

Use only original manufacturer's replacement parts, accessories, and attachments. Failure to do so can cause possible injury, poor performance, and may void your warranty.

⚠ WARNING

Servicing requires extreme care and knowledge and should be performed only by a qualified service technician. Have the product serviced by an authorised service centre only. When servicing, use only original replacement parts.

⚠ WARNING

Disconnect the product from the power supply before adjustment, maintenance, or cleaning. Failure to do so could result in serious personal injury.

- You may only make adjustments or repairs described in this manual. For other repairs, have the product serviced by an authorised service centre only.
- Consequences of improper maintenance, removal, or

modification of safety features like the chain brake, hand guard (front and back), spiked bumper, chain catcher, guide bar, low-kickback saw chain may cause the safety features to not function correctly, thus increasing the potential for serious injury. Keep the product professionally maintained and safe.

- Sharpening the chain safely is a skilled task. Therefore, the manufacturer strongly recommends that a worn or dull chain is replaced with a new one, available at your authorised service centre. The part number is available in the product specification table in this manual.
- Follow instructions for lubricating and chain tension checking and adjustment.
- After each use, clean the product with a soft dry cloth.
- Check all nuts, bolts, and screws at frequent intervals for security to ensure the product is in safe working condition. Any part that is damaged should be properly repaired or replaced by an authorised service centre.

RESIDUAL RISKS

Even when the product is used as prescribed, it is still impossible to completely eliminate certain residual risk factors. The following hazards may arise during use, and the operator should pay special attention to avoid the following:

- Injury caused by vibration
 - Always use the right tool for the job. Use designated handles. Restrict working time and exposure.
- Exposure to noise can cause hearing injury.
 - Wear hearing protection and limit exposure.
- Contact with exposed saw teeth of the chain (cutting hazards).
- Unforeseen, abrupt movement or kickback of the guide bar (cutting hazards).
- Parts ejected from the saw chain (cutting/injection hazards).
- Thrown out pieces of the work piece (wood chips, splinters).
- Inhalation of saw dust and particles.
- Skin contact with oil.

RISK REDUCTION

It has been reported that vibrations from hand-held tools may contribute to a condition called Raynaud's Syndrome in certain individuals. Symptoms may include tingling, numbness and blanching of the fingers, usually apparent upon exposure to cold. Hereditary factors, exposure to cold and dampness, diet, smoking and work practices are all thought to contribute to the development of these symptoms. There are measures that can be taken by the operator to possibly reduce the effects of vibration:

- Keep your body warm in cold weather. When operating the unit wear gloves to keep the hands and wrists warm. It is reported that cold weather is a major factor contributing to Raynaud's Syndrome.
- After each period of operation, exercise to increase blood circulation.
- Take frequent work breaks. Limit the amount of

exposure per day.

- Protective gloves available from professional chainsaw retailers are designed specifically for chainsaw use, which give protection, good grip and also reduce the effect of handle vibration.

If you experience any of the symptoms of this condition, immediately discontinue use and see your physician.

WARNING

Injuries may be caused, or aggravated, by prolonged use of a tool. When using any tool for prolonged periods, ensure you take regular breaks.

KNOW YOUR PRODUCT

See page 267.

1. Chain
2. Guide bar
3. Front hand guard/Chain brake
4. Front handle
5. Trigger release
6. Rear handle
7. Spiked bumper
8. Chain lubricant cap
9. Cord retainer
10. Switch trigger
11. Sprocket cover
12. Chain tension/Guide bar locking knob
13. Guide bar cover
14. Chain catcher

SAFETY DEVICES

Low kick-back saw chain

A low-kickback saw chain helps to reduce the possibility of a kickback event.

The rakers (depth gauges) ahead of each cutter can minimize the force of a kickback reaction by preventing the cutters from digging in too deeply. Only use replacement guide bar and chain combinations recommended by the manufacturer.

As saw chains are sharpened, they lose some of the low kickback qualities and extra caution is required. For your safety, replace saw chains when cutting performance decreases.

Spiked bumper

The integral bumper spike may be used as a pivot when making a cut. It helps to keep the body of the chainsaw steady while cutting. When cutting, push the product forward until the spikes dig into the edge of the wood, then by moving the rear handle up or down in the direction of the cutting line it can help ease the physical strain of cutting

Guide bars

Generally, guide bars with small radius tips have somewhat lower potential for kickback. You should use a guide bar and matching chain which is just long enough for the job. Longer bars increase the risk of loss of control during sawing. Regularly check the chain tension. When cutting

smaller branches (less than the full length of the guide bar) the chain is more likely to be thrown off if the tension is not correct.

Chain brake

Chain brakes are designed to quickly stop the chain from rotating. When the chain brake lever/hand guard is pushed towards the bar, the chain should stop immediately. A chain brake does not prevent kickback. It only lowers the risk of injury should the chain bar contact the operator's body during a kickback event. The chain brake should be tested before each use for correct operation in both the run and brake positions.

Chain catcher

A chain catcher prevents the saw chain from being thrown back towards the operator if the saw chain comes loose or breaks.

ASSEMBLY

WARNING

If any parts are damaged or missing, do not operate the product until the parts are replaced. Failure to heed this warning could result in serious personal injury.

ASSEMBLING THE SAW CHAIN AND GUIDE BAR

See page 268 - 269.

1. Disconnect the mains plug. Wear protective gloves.
2. Unscrew the guide bar locking knob and remove the sprocket cover.
3. The saw chain should face in the direction of chain rotation. If they face backwards, turn the loop over.
4. Place the chain drive links into the bar groove.
5. Position the chain so there is a loop at the back of the bar.
6. Hold the chain in position on the bar and place the loop around the drive sprocket. Lower the bar so that the bolt goes through the hole in the attached chain tension assembly.
7. Replace the sprocket cover and then tighten the chain tension/guide bar locking knob by turning it clockwise until it locks into place. Check the chain tension frequently.

The chain tension is correct when the gap between the cutter in the chain and the bar is between 3 mm - 4 mm. Pull the chain in the middle of the lower side of the bar downwards (away from the bar) and measure the distance between the bar and the chain cutters.

8. Tighten and lock the chain tension/guide bar locking knob by turning it clockwise.

ADJUSTING THE CHAIN TENSION

See page 279.

1. Disconnect the product from the power supply. Wear protective gloves.
2. To correct the chain tension, fully loosen the chain tension/guide bar locking knob, then tighten the chain tension/guide bar locking knob by turning it clockwise until it locks into place. Check the chain tension

EN

FR

DE

ES

IT

NL

PT

DA

SV

FI

NO

RU

PL

CS

HU

RO

LV

LT

ET

HR

SL

SK

BG

UK

TR

frequently.

The chain tension is correct when the gap between the cutter in the chain and the bar is between 3 mm - 4 mm. Pull the chain in the middle of the lower side of the bar downwards (away from the bar) and measure the distance between the bar and the chain cutters.

3. Tighten and lock the chain tension/guide bar locking knob by turning it clockwise.

Note: Make sure that the bar and chain tensioning assembly is moving freely without dirt and the saw chain is correctly looped around the sprocket. If the chain tension is too tight or too loose after locking the chain tension/guide bar locking knob, check if the guide bar and chain tensioning assembly are clean and properly assembled.

If necessary, remove the sprocket cover and guide bar for cleaning, then re-assemble the parts.

OPERATION

ADDING CHAIN LUBRICATING OIL

See page 269.

⚠ WARNING

Never work without chain lubricant. If the saw chain is running without lubricant, the guide bar and saw chain can be damaged. It is essential to frequently check the oil level in the oil level gauge and before starting to use the chainsaw.

1. Clear surface around the oil cap to prevent contamination.
2. Unscrew and remove the cap from the oil tank.
3. Pour the oil into the oil tank and monitor the oil level gauge. Ensure that no dirt enters the oil tank while filling.
4. Put the oil cap back on and tighten it up. Wipe away any spillage.
5. One full oil tank will enable you to use the saw for 18 - 28 min.

HOLDING THE CHAINSAW

See page 269.

Always hold the chain saw with your right hand at the rear handle and your left hand at the front handle. Grip both handles with the thumbs and fingers encircling the handles. Ensure that your left hand is holding the front handle so that your thumb is underneath.

⚠ WARNING

Always keep the power cable tidy and away from the area of cutting. Apart from the danger of electrocution, untidy cables cause falls and trips.

STARTING THE CHAINSAW

See page 269.

1. Connect the product to a power outlet. Make sure the chain brake is in the run position by pulling back on the lever/hand guard.

2. To start the product: Press the trigger release, and then press the on/off trigger.

CHECKING AND OPERATING CHAIN BRAKE

1. Engage the chain brake by rotating your left hand around the front handle. Allow the back of your hand to push the chain brake lever/hand guard toward the bar while the chain is rotating rapidly. The chain should stop rotating immediately. Be sure to maintain both hands on the saw handles at all times.
2. Reset the chain brake back into the Run position by grasping the top of the chain brake lever/hand guard and pulling toward the front handle until you hear a click.

⚠ WARNING

If the chain brake does not stop the chain immediately, or if the chain brake will not stay in the run position without assistance, have the product serviced by an authorised service centre prior to use.

REPLACING THE GUIDE BAR AND SAW CHAIN

See page 277 - 278.

1. Disconnect the product from the power supply. Wear protective gloves.
2. Unlock the chain tension/guide bar locking knob by turning it counterclockwise until the sprocket cover comes loose.
3. Remove the sprocket cover. Remove the bar and saw chain from the product.
4. Remove the screw holding the guide bar to the chain tension assembly. Dispose the used bar and saw chain properly.
5. Mount the chain tension assembly on to the new bar and tighten the screw. Put the new chain in the correct direction onto the bar and make sure that the drive links are aligned in the bar groove.
6. Attach the bar to the chain saw and loop the chain around the drive sprocket. Replace the sprocket cover.
7. Tighten and lock the chain tension/guide bar locking knob by turning it clockwise.

The chain tension is correct when the gap between the cutter in the chain and the bar is between 3 mm - 4 mm. Pull the chain in the middle of the lower side of the bar downwards (away from the bar) and measure the distance between the bar and the chain cutters.

Adjust the chain tension. Refer to the "Adjusting chain tension" section.

⚠ WARNING

Improper chain sharpening increases the potential of kickback.

⚠ WARNING

Failure to replace or repair a damaged chain can cause serious injury.

⚠ WARNING

The saw chain is very sharp. Always wear protective gloves when performing maintenance to the chain.

INSPECTING AND CLEANING THE CHAIN BRAKE

See page 280.

- Always keep the chain brake mechanism clean by lightly brushing the linkage free from dirt.
- Always test the chain brake performance after cleaning. Refer to the "Operation - Checking and Operating Chain Brake" section in this manual for additional information.

MAINTENANCE SCHEDULE

| Daily check | |
|------------------------|--------------------------------|
| Power cable for damage | Before each use |
| Bar lubrication | Before each use |
| Chain tension | Before each use and frequently |
| Chain sharpness | Before each use, visual check |
| For damaged parts | Before each use |
| For loose fasteners | Before each use |
| Chain brake function | Before each use |
| Inspect and clean | |
| Bar | Before each use |
| Complete saw | After each use |
| Chain brake | Every 5 hours* |

* Hours of operation

SYMBOLS ON THE PRODUCT

-  Safety alert
-  To reduce the risk of injury, user must read and understand operator's manual before using this product.
-  Wear eye, ear and head protection.
-  Wear non-slip safety footwear when using the product.
-  Wear non-slip, heavy duty gloves.
-  Remove plug from the mains immediately before maintenance or if cable is damaged or cut
-  Beware of chain saw kickback and avoid contact with bar tip.



Do not expose to rain or damp condition.



Hold and operate the saw properly with both hands.



Do not operate the saw using only one hand.



Conforms to all regulatory standards in the country in the EU where the product is purchased.



EurAsian Conformity Mark



Class II tool, double insulation



Ukrainian mark of conformity



Waste electrical products should not be disposed of with household waste. Please recycle where facilities exist. Check with your local authority or retailer for recycling advice.



The guaranteed sound power level is 104 dB (RCS1935B)



The guaranteed sound power level is 105 dB (RCS2340B)



Bar and chain lubricant



Chain brake



Rotate to lock or unlock the guide bar



Lock



Unlock



Moving direction of the chain. (Marked under the sprocket cover)

SYMBOLS IN THIS MANUAL



Connect to power outlet.



Disconnect from power outlet.



Parts or accessories sold separately



Note



Warning



Wear eye and face protection.



Wear upper body protection.



Wear leg protection.



Stop the product.

The following signal words and meanings are intended to explain the levels of risk associated with this product.

⚠ DANGER

Indicates an imminently hazardous situation, which, if not avoided, will result in death or serious injury.

⚠ WARNING

Indicates a potentially hazardous situation, which, if not avoided, could result in death or serious injury.

⚠ CAUTION

Indicates a potentially hazardous situation, which, if not avoided, may result in minor or moderate injury.

CAUTION

Without safety alert symbol

Indicates a situation that may result in property damage.

Lors de la conception de la tronçonneuse électrique, l'accent a été mis sur la sécurité, les performances et la fiabilité.

UTILISATION PRÉVUE

La tronçonneuse électrique est uniquement destinée à une utilisation en extérieur. Pour des raisons de sécurité, le produit doit être en permanence contrôlé des deux mains.

Le produit est destiné à la coupe des branches, troncs, bûches, et poutres d'un diamètre déterminé par la longueur de coupe du guide-chaîne. Il n'est autorisé de l'utiliser que pour couper du bois. Utilisation réservée à des applications domestiques, par des adultes ayant reçu une formation adéquate concernant les risques et les actions/mesures de prévention à prendre lors de l'utilisation du produit.

Le produit ne doit pas être utilisé par des enfants ou par des personnes ne portant pas des équipements et vêtements de sécurité. Il ne doit pas être utilisé de façon professionnelle pour l'abattage et l'élagage des arbres.

Ne l'utilisez pour aucun autre travail.

⚠ AVERTISSEMENT

Suivez les règles de sécurité lorsque vous utilisez le produit. Pour votre sécurité et celle des passants, vous devez lire et totalement comprendre ces instructions avant d'utiliser le produit. Vous devriez suivre un stage professionnel de sécurité ayant trait à l'utilisation et à l'entretien des tronçonneuses, ainsi qu'aux mesures préventives et aux premiers soins. Veuillez conserver ce manuel pour vous-y reporter dans le futur.

⚠ AVERTISSEMENT

Les tronçonneuses sont des outils potentiellement dangereux. Les accidents impliquant l'utilisation de tronçonneuses causent souvent la perte d'un membre ou la mort. La tronçonneuse en elle-même n'est pas le seul risque. La chute de branches et d'arbres et la rotation des bûches peuvent tuer. Le bois malade ou pourri crée des risques supplémentaires. Vous devez jauger votre capacité à effectuer une tâche de façon sûre. En cas de doute quel qu'il soit, confiez le travail à un chirurgien du bois.

INDICATIONS GÉNÉRALES DE SÉCURITÉ POUR OUTILS ÉLECTROPORTATIFS

⚠ AVERTISSEMENT

Lisez tous les avertissements et indications. Le non-respect des avertissements et instructions peut entraîner un décharge électrique, un incendie et/ou de graves blessures.

Bien garder tous les avertissements et instructions.

La notion d'« outil électroportatif » mentionnée dans les avertissements se rapporte à des outils électriques raccordés au secteur (avec câble de raccordement) et à des outils électriques à accu (sans câble de raccordement).

SÉCURITÉ DANS LA ZONE DE TRAVAIL

- **Maintenez l'endroit de travail propre et bien éclairé.** Un lieu de travail en désordre ou mal éclairé augmente le risque d'accidents.
- **N'utilisez pas l'outil électroportatif dans un environnement présentant des risques d'explosion et où se trouvent des liquides, des gaz ou poussières inflammables.** Les outils électroportatifs génèrent des étincelles risquant d'enflammer les poussières ou les vapeurs.
- **Tenez les enfants et autres personnes éloignés durant l'utilisation de l'outil électroportatif.** En cas d'inattention vous risquez de perdre le contrôle sur l'appareil.

SÉCURITÉ RELATIVE AU SYSTÈME ÉLECTRIQUE

- **La fiche de secteur de l'outil électroportatif doit être appropriée à la prise de courant. Ne pas modifier en aucun cas la fiche. Ne pas utiliser de fiches d'adaptateur avec des outils électroportatifs avec mise à la terre.** Les fiches non modifiées et les prises de courant appropriées réduisent le risque de décharge électrique.
- **Évitez le contact physique avec des surfaces mises à la terre tels que tuyaux, radiateurs, fours et réfrigérateurs.** Il y a un risque élevé de choc électrique au cas où votre corps serait relié à la terre.
- **Ne pas exposer l'outil électroportatif à la pluie ou à l'humidité.** La pénétration d'eau dans un outil électroportatif augmente le risque d'un choc électrique.
- **Ne malmenez pas le câble d'alimentation. Ne jamais utiliser le cordon pour porter, tirer ou débrancher l'outil. Maintenir le câble éloigné des sources de chaleur, des parties grasses, des bords tranchants ou des parties de l'appareil en rotation.** Un câble endommagé ou torsadé augmente le risque d'un choc électrique.
- **Au cas où l'outil électroportatif serait utilisé à l'extérieur, utiliser une rallonge appropriée pour les applications extérieures.** L'utilisation d'une rallonge électrique appropriée pour les applications extérieures réduit le risque d'un choc électrique.
- **Si une utilisation de l'outil électroportatif dans un environnement humide ne peut pas être évitée, utiliser un disjoncteur différentiel.** Un disjoncteur différentiel réduit le risque d'un choc électrique.

SÉCURITÉ DES PERSONNES

- **Rester vigilant, surveiller ce que vous faites. Faire preuve de bon sens en utilisant l'outil électroportatif. Ne pas utiliser un outil électroportatif lorsqu'on est fatigué ou après avoir consommé de l'alcool, des drogues ou avoir pris des médicaments.** Un moment d'inattention lors de l'utilisation de l'outil électroportatif peut entraîner de graves blessures sur les personnes.
- **Porter des équipements de protection. Porter toujours des lunettes de protection.** Afin d'éviter tout dommage corporel, il convient d'utiliser, dans les conditions appropriées, des équipements de protection tels qu'un masque anti-poussière, des chaussures de sécurité antidérapantes, un casque de sécurité et une

EN
FR
DE
ES
IT
NL
PT
DA
SV
FI
NO
RU
PL
CS
HU
RO
LV
LT
ET
HR
SL
SK
BG
UK
TR

protection auditive.

- **Eviter toute mise en service accidentelle. Assurez-vous que l'interrupteur est en position "arrêt" avant la connexion au secteur et/ou l'insertion de la batterie, ainsi qu'avant de saisir ou de transporter l'outil.** Le transport d'un outil électrique avec votre doigt sur l'interrupteur ou la mise sous tension d'un outil dont l'interrupteur est en position "marche" est propice aux accidents.
- **Enlever tout outil de réglage ou toute clé avant de mettre l'outil électroportatif en fonctionnement. Une clé ou un outil se trouvant sur une partie en rotation peut causer des blessures.** Le fait de porter l'outil électroportatif avec le doigt sur l'interrupteur ou de le brancher sur la source de courant lorsque l'outil électroportatif est en fonctionnement, peut entraîner des accidents.
- **Ne pas se précipiter. Gardez une position et un équilibre adaptés à tout moment.** Cela permet un meilleur contrôle de l'outil dans des situations inattendues.
- **Portez des vêtements appropriés. Ne pas porter de vêtements amples ni de bijoux. Maintenir cheveux, vêtements et gants éloignés des parties de l'appareil en rotation.** Des vêtements amples, des bijoux ou des cheveux longs peuvent être happés par des pièces en mouvement.
- **Si des dispositifs servant à aspirer ou à recueillir les poussières doivent être utilisés, vérifier que ceux-ci soient effectivement raccordés et qu'ils sont correctement utilisés.** L'utilisation d'un dispositif d'aspiration des poussières peut réduire les dangers dus aux poussières.

UTILISATION ET EMPLOI SOIGNEUX D'OUTILS ÉLECTROPORTATIFS

- **Ne pas surcharger l'appareil. Utiliser l'outil électroportatif approprié au travail à effectuer.** Avec l'outil électroportatif approprié, vous travaillerez mieux et avec plus de sécurité à la vitesse pour laquelle il est prévu.
- **Ne pas utiliser un outil électroportatif dont l'interrupteur est défectueux.** Un outil électroportatif qui ne peut plus être mis en ou hors fonctionnement est dangereux et doit être réparé.
- **Débranchez la fiche secteur de la source de courant et/ou le pack batterie de l'outil électrique avant d'effectuer tout réglage, tout changement d'accessoire, et avant de le ranger.** Cette mesure de précaution empêche une mise en fonctionnement de l'outil électroportatif par mégarde.
- **Conservé les outils à l'arrêt hors de la portée des enfants et ne pas permettre à des personnes ne connaissant pas l'outil ou les présentes instructions de le faire fonctionner.** Les outils sont dangereux entre les mains d'utilisateurs novices.
- **Prendre soin de l'outil électroportatif. Vérifier que les parties en mouvement fonctionnent correctement et qu'elles ne soient pas coincées, et contrôler si des parties sont cassées ou endommagées de telle sorte que le bon fonctionnement de**

l'outil électroportatif s'en trouve entravé. Faire réparer ces parties endommagées avant d'utiliser l'appareil. De nombreux accidents sont dus à des outils électroportatifs mal entretenus.

- **Maintenir les outils de coupe aiguisés et propres.** Des outils soigneusement entretenus avec des bords tranchants bien aiguisés se coincent moins souvent et peuvent être guidés plus facilement.
- **Utiliser l'outil, les accessoires et les lames etc., conformément à ces instructions, en tenant compte des conditions de travail et du travail à réaliser.** L'utilisation des outils électroportatifs à d'autres fins que celles prévues peut entraîner des situations dangereuses.
- **Gardez les poignées et les surfaces de préhension sèches, propres et exemptes d'huile et de graisse.** Des poignées et des surfaces de préhension glissantes ne permettent pas une manipulation et un contrôle de l'outil en toute sécurité en cas de situation imprévue.

TRAVAUX D'ENTRETIEN

- **Ne faire réparer l'outil électroportatif que par un personnel qualifié et seulement avec des pièces de rechange d'origine.** Ceci permet d'assurer la sécurité de l'appareil.

INSTRUCTIONS DE SÉCURITÉ GÉNÉRALE ADDITIONNELLES

- La législation de certaines régions restreint l'utilisation du produit. Contactez les autorités locales pour obtenir des conseils.
- Ne laissez jamais les enfants ou les personnes non familiarisées avec le mode d'emploi utiliser le produit. Les lois locales peuvent imposer un âge minimum à l'opérateur.
- Avant chaque utilisation, assurez-vous que toutes les commandes et tous les organes de sécurité fonctionnent correctement. N'utilisez pas l'outil à moteur si la mise de son interrupteur sur "off" (arrêt) n'arrête pas le moteur.
- Porter une protection complète des yeux et des oreilles, des gants solides ainsi qu'une protection de tête lors de l'utilisation du produit. Portez un masque anti-poussières si l'opération est poussiéreuse.
- Ne portez pas de vêtements amples, de pantalons courts ou de bijoux d'aucune sorte.
- Si vous avez les cheveux longs, attachez-les au-dessus du niveau des épaules afin d'éviter qu'ils ne se prennent dans les parties en mouvement.
- Prenez garde à la projection et à la chute d'objets. Tenir tous les observateurs, enfants et animaux à au moins 15m de la zone de travail.
- N'utilisez pas cet outil dans une zone mal éclairée. L'opérateur doit avoir une bonne vue d'ensemble de la zone de travail pour identifier les dangers éventuels.
- L'utilisation d'une protection auditive réduit la capacité à entendre les avertissements (cris ou alarmes). L'utilisateur doit redoubler d'attention en ce qui concerne les événements survenant dans la zone de travail.

- L'utilisation d'outils similaires alentour augmente le risque d'atteinte à l'audition ainsi que le risque que d'autres personnes entrent dans la zone de travail.
- Gardez un bon appui et un bon équilibre. Ne pas se précipiter. Un travail en extension excessive peut entraîner une perte d'équilibre et augmenter le risque de rebond.
- Maintenez toutes les parties de votre corps éloignées des parties en mouvement.
- Vérifiez le produit avant chaque utilisation. Vérifiez le fonctionnement correct de toutes les commandes, frein de chaîne compris. Vérifiez le bon serrage des attaches, assurez-vous que toutes les protections et poignées sont bien en place et bien verrouillées. Remplacez toute pièce endommagée avant utilisation.
- Ne modifiez la machine d'aucune façon et n'utilisez pas de pièces ou accessoires non recommandés par le fabricant.
- Un pic de tension peut provoquer des variations de tension susceptibles d'affecter les autres appareils électriques branchés sur la même ligne d'alimentation. Branchez le produit sur une source d'alimentation électrique dont l'impédance est inférieure ou égale à 0,33 Ω afin de minimiser les variations de tension. Contactez votre fournisseur d'électricité pour de plus amples informations.

AVERTISSEMENT

Si le produit est tombé, a subi un choc important ou se met à vibrer de façon anormale, arrêtez-le immédiatement et recherchez les dommages éventuels ou identifiez la cause des vibrations. Toute pièce endommagée doit être correctement remplacée ou réparée par un service après-vente agréé

- L'appareil doit être alimenté par l'intermédiaire d'un disjoncteur différentiel d'une sensibilité n'excédant pas 30 mA.
- Si vous devez utiliser une rallonge électrique, assurez-vous qu'elle est prévue pour une utilisation à l'extérieur et que sa capacité en courant est suffisante pour alimenter votre produit. Vérifiez l'absence de dommages avant chaque utilisation. Le câble d'alimentation doit toujours être déroulé pendant utilisation, les câbles enroulés étant susceptibles de surchauffer. Les rallonges endommagées ne doivent pas être réparées, elles doivent être remplacées par un modèle équivalent.
- Si le câble d'alimentation est endommagé, veuillez le remplacer avant toute utilisation.
- Assurez-vous que le câble chemine de façon qu'il ne puisse pas être coupé et que l'on ne puisse pas marcher dessus ou se prendre les pieds dedans, et qu'il ne peut pas être forcé ou endommagé.
- Ne soulevez et ne transportez jamais le produit en le tenant par son câble d'alimentation.
- Ne débranchez jamais le câble d'alimentation en tirant dessus.
- Gardez le câble d'alimentation éloigné de la chaleur,

des graisses et des bords coupants.

- Avant chaque utilisation, vérifiez que le câble d'alimentation n'est pas endommagé. En cas de signe de dommages, faites procéder à son remplacement par une personne qualifiée ou par un service après-vente agréé afin d'éviter tout danger.

AVERTISSEMENTS DE SÉCURITÉ RELATIFS À LA TRONÇONNEUSE

- **Conserver toutes les parties du corps à distance de la tronçonneuse lors de l'utilisation du produit. Avant de mettre la tronçonneuse en marche, assurez-vous que rien ne soit en contact avec la chaîne.** Un moment d'inattention lors de l'utilisation d'une tronçonneuse est susceptible d'entraîner l'enchevêtrement de vos habits ou de votre corps dans sa chaîne.
- **Tenez toujours la tondeuse avec votre main droite sur la poignée arrière et votre main gauche sur la poignée avant.** Le maintien de la tronçonneuse avec la position des mains inversée augmente le risque de blessures et ne doit jamais être effectué.
- **Tenir l'outil électrique uniquement au niveau de sa surface de saisie isolée, parce que la tronçonneuse peut entrer en contact avec des branchements dissimulés ou son propre fil.** Une chaîne de tronçonneuse qui entrerait en contact avec un câble "sous tension" pourrait véhiculer cette tension électrique vers les parties métalliques de l'outil et exposer l'opérateur à une décharge électrique.
- **Portez des lunettes de sécurité et une protection auditive. L'utilisation d'équipement de protection supplémentaire pour la tête, les mains, les jambes et les pieds est recommandée.** Un habillement de protection adéquat réduit les risques de blessures provoquées par la projection de débris ou la mise en contact accidentelle avec la chaîne de la tronçonneuse.
- **N'utilisez pas de tronçonneuse dans un arbre.** L'utilisation d'une tronçonneuse en hauteur dans un arbre est susceptible de provoquer des blessures.
- **Gardez toujours un bon appui de vos pieds au sol et n'utilisez la tronçonneuse que lorsque vous vous tenez debout sur une surface fixe, sûre et horizontale.** Les surfaces glissantes ou instables telles que les échelles peuvent entraîner une perte d'équilibre ou de maîtrise de la tronçonneuse.
- **Lorsque vous coupez une branche sous tension, prenez garde à l'effet ressort.** Une fois la tension des fibres du bois relâchée, la branche sous tension pourrait frapper l'opérateur et/ou causer une perte de contrôle de la tronçonneuse.
- **Soyez particulièrement prudent lors de la coupe de broussailles et de jeunes arbres.** Les fins branchages sont susceptibles d'être agrippés par la chaîne de la tronçonneuse et de venir vous fouetter ou de vous faire perdre l'équilibre.
- **Transportez la tronçonneuse par sa poignée avant, moteur coupé et éloignée de votre corps. Mettez toujours le fourreau de protection du guide-chaîne en place lorsque vous transportez ou rangez la**

EN

FR

DE

ES

IT

NL

PT

DA

SV

FI

NO

RU

PL

CS

HU

RO

LV

LT

ET

HR

SL

SK

BG

UK

TR

tronçonneuse. Une manipulation correcte de la tronçonneuse réduit la probabilité de mise en contact accidentelle avec la chaîne en mouvement.

- **Respectez les instructions concernant la lubrification, la tension de la chaîne et le changement d'accessoires.** Une chaîne mal tendue ou mal lubrifiée peut soit casser ou augmenter le risque de rebond.
- **Gardez les poignées propres, sèches, et exemptes d'huile et de graisse.** Des poignées grasses ou huileuses sont glissantes et peuvent entraîner une perte de contrôle.
- **Ne coupez que du bois. N'utilisez pas cette tronçonneuse pour un usage autre que ceux prévus. Par exemple, n'utilisez pas la tronçonneuse pour couper du plastique, de la maçonnerie ou des matériaux n'étant pas à base de bois.** L'utilisation détournée de l'appareil peut entraîner des situations dangereuses.

Causes et prévention du rebond :

Il peut se produire un rebond si l'extrémité du guide-chaîne entre en contact avec un objet ou si la chaîne coupante se pince et se bloque dans le bois pendant la coupe.

Dans certains cas, le contact avec le nez du guide-chaîne peut provoquer une réaction inverse soudaine, faisant rebondir le guide-chaîne vers le haut et en direction de l'opérateur.

Le pincement de la chaîne au niveau du haut du guide-chaîne est susceptible de le repousser rapidement le guide-chaîne en direction de l'opérateur.

Dans chacun de ces cas, vous pouvez perdre le contrôle de la tronçonneuse et être grièvement blessé. Ne vous fiez pas exclusivement aux éléments de protection de votre tronçonneuse. Vous devez également prendre différentes mesures pour éviter les risques d'accidents ou de blessures.

Le rebond est le résultat d'une utilisation incorrecte de l'outil et/ou de mauvaises procédures ou conditions d'utilisation, et il peut être évité en prenant les précautions adéquates indiquées ci-dessous :

- **Maintenez fermement la tronçonneuse des deux mains, vos pouces et vos doigts enserrant ses poignées, et positionnez votre corps et vos bras de façon à pouvoir résister aux forces de rebond.** Les forces de rebond peuvent être maîtrisées par l'opérateur si des précautions adaptées sont prises. Ne lâchez pas la tronçonneuse.
- **Ne travaillez pas en extension et ne tronçonnez pas au dessus du niveau des épaules.** Vous aiderez ainsi à éviter le contact accidentel avec le nez du guide-chaîne et à améliorer la contrôle de la tronçonneuse en cas de situation inattendue.
- **N'utilisez que les chaînes et guides-chaînes indiqués par le fabricant.** Des chaînes et guides-chaînes de rechange de type incorrect pourraient entraîner une rupture de la chaîne et/ou un rebond.
- **Respectez les instructions du fabricant pour l'aiguisage et l'entretien de la chaîne.** La diminution de la hauteur du limiteur de profondeur est susceptible

d'augmenter le risque de rebond.

AVERTISSEMENTS DE SÉCURITÉ SUPPLÉMENTAIRES CONCERNANT LES TRONÇONNEUSES

- Il est recommandé de couper les bûches sur un chevalet ou sur un berceau lors de la première utilisation du produit.
- Assurez-vous que toutes les protections et poignées ainsi que l'arrêt à griffes sont bien en place et en bon état.
- Les utilisateurs du produit doivent être en bonne santé. Le produit est lourd ; l'opérateur doit être en bonne condition physique. L'utilisateur doit être vigilant, avoir une bonne vue, une bonne mobilité, un bon sens de l'équilibre, et être adroit de ses mains. En cas de doute quel qu'il soit, n'utilisez pas la tronçonneuse.
- Ne commencez pas à utiliser le produit avant de disposer d'une zone de travail dégagée, d'avoir un bon appui au sol, ainsi qu'un chemin de repli éloigné de la zone de chute de l'arbre.
- Prenez garde aux projections de brouillard d'huile et de sciure. Portez un masque ou un respirateur au besoin.
- Si le câble venait à être endommagé, confier l'entretien du produit à un centre d'entretien agréé.
- Gardez toujours le câble d'alimentation bien en ordre et éloigné de la zone de coupe. En plus des dangers d'électrocution qu'ils présentent, les câbles en désordre peuvent provoquer des trébuchements et des chutes.
- Ne coupez pas de vigne et/ou de petites broussailles (de moins de 75 mm de diamètre).
- Toujours tenir la tronçonneuse avec les deux mains lors de son utilisation. Tenez la tronçonneuse fermement, vos doigts entourant les poignées. La main droite doit tenir la poignée arrière et la main gauche la poignée avant.
- Avant de démarrer le produit, assurez-vous que la tronçonneuse n'est en contact avec aucun objet.
- N'apporter aucune modification à l'outil et ne pas l'utiliser avec des accessoires ou des dispositifs qui ne sont pas conseillés par le fabricant de la tronçonneuse.
- Il devrait toujours y avoir une trousse de premiers soins contenant de grands pansements et un dispositif permettant d'attirer l'attention (par ex. un sifflet) à proximité de l'utilisateur. Une trousse de premiers soins mieux fournie doit aussi se trouver à distance raisonnablement proche.
- Porter un casque en permanence lors de l'utilisation du produit. Un casque, équipé d'une visière en mesh, peut permettre de réduire le risque de blessure du visage et de la tête en cas de recul.
- Une chaîne mal tendue peut dérailler du guide-chaîne et provoquer de graves blessures potentiellement mortelles. La longueur de la chaîne varie en fonction de la température. Vérifiez fréquemment sa tension.
- Vous devriez vous familiariser avec votre nouvelle tronçonneuse en effectuant des coupes simples dans du bois bien calé. Faites-le si vous n'avez pas utilisé la tronçonneuse depuis longtemps.
- Pour réduire les risques de blessure liés au contact avec des pièces en rotation, arrêtez toujours le moteur,



bloquez le frein de la chaîne et retirez la fiche de la prise de courant. Assurez-vous que tous les éléments en mouvement se sont bien arrêtés:

- avant de laisser le produit sans surveillance
 - avant de nettoyer ou de dégager la cause d'un blocage
 - avant de mettre en place ou de retirer des accessoires
 - avant de travailler sur le produit, de le vérifier ou de l'entretenir
- La superficie de la zone de travail dépend du travail à effectuer tout autant que de la taille de l'arbre ou de la pièce à usiner. Par exemple, l'abattage d'un arbre demande une zone de travail plus importante que les autres coupes, telles que le tronçonnage, etc. L'opérateur doit être conscient de son environnement de travail et opérer un contrôle total sur tout événement pouvant s'y produire.
- Ne coupez pas en ayant votre corps aligné avec le guide-chaîne et avec la chaîne. En cas de rebond, vous aiderez ainsi à éviter que la chaîne n'entre en contact avec votre tête ou votre corps.
- N'effectuez pas de mouvements de sciage d'avant en arrière, laissez la chaîne faire le travail, gardez la chaîne affûtée et ne tentez pas de la pousser dans la coupe.
- N'exercez pas de pression sur la tronçonneuse en fin de coupe. Tenez-vous prêt à supporter le poids de la tronçonneuse une fois celle-ci libérée en fin de la coupe. Le non-respect de cet avertissement peut entraîner de graves blessures.
- N'arrêtez pas la tronçonneuse en pleine opération de coupe. Gardez la tronçonneuse en fonctionnement jusqu'à ce qu'elle soit sortie de la coupe.

Équipement de protection individuel

Un équipement de protection individuel de bonne qualité utilisé par des professionnels aide à réduire le risque de blessures infligées à l'opérateur. Les éléments suivants doivent être utilisés lorsque vous utilisez votre tronçonneuse :

Casque de sécurité

- doit être conforme à EN 397 et porter l'inscription CE

Protection auditive

- doit être conforme à EN 352-1 et porter l'inscription CE

Protection oculaire et faciale

- doit porter l'inscription CE et être conforme à EN 166 (pour les lunettes de sécurité) ou EN 1731 (pour les visières à grille)

Gants

- doit être conforme à EN381-7 et porter l'inscription CE

Protèges-jambes (jambières)

- doivent être conformes à EN381-5, porter l'inscription CE et protéger tout le tour des jambes.

Bottes de protection pour tronçonneuse

- doivent être conformes à EN ISO 20345:2004 et

porter un pictogramme de tronçonneuse indiquant la conformité à EN 381-3. (Les utilisateurs occasionnels peuvent porter des chaussures de sécurité à embouts acier et des gûêtres de sécurité conformes à EN 381-9 si le sol est régulier et que le risque de trébucher ou de s'emmêler dans des broussailles est faible)

Vestes de protection du haut du corps pour tronçonneuse

- doit être conforme à EN 381-11 et porter l'inscription CE

INSTRUCTIONS CONCERNANT LES TECHNIQUES DE BASE ADÉQUATE POUR L'ABATTAGE, LE TRONÇONNAGE, ET L'ÉBRANCHAGE

Compréhension des forces présentes dans le bois

Une fois comprises les pressions directionnelles et les tensions présentes dans le bois, vous pouvez réduire les "pincement" ou au moins les prévoir en cours de coupe. Une tension dans le bois signifie que les fibres subissent une force de traction et que si vous coupez dans cette zone, le "trait de coupe" ou la coupe auront tendance à s'ouvrir à mesure que la tronçonneuse progressera. Si une bûche est soutenue par un chevalet et que son extrémité pend sans être soutenue à son extrémité, une tension se crée alors sur son dessus due au poids de la partie qui dépasse et qui étire les fibres. De la même façon, le dessous de la bûche sera comprimé et les fibres seront compressées. Si une coupe est effectuée dans cette zone, le trait de coupe aura tendance à se refermer en cours de coupe. La chaîne et le guide-chaîne s'en trouveront pincés.

Abattage d'un arbre

Voir page 273 - 274.

Lorsque des opérations de tronçonnage et d'abattage sont effectuées simultanément par deux personnes ou plus, les opérations d'abattage et de tronçonnage doivent être séparées par une distance égale à au moins deux fois la hauteur de l'arbre à abattre. Les arbres ne doivent pas être abattus d'une façon qui pourrait mettre quiconque en danger, atteindre toute conduite ou toute ligne électrique ou causer des dommages à la propriété d'autrui. En cas de contact avec toute conduite ou ligne électrique, prévenez immédiatement la compagnie d'exploitation.

Si le terrain est en pente, restez toujours en haut du terrain car l'arbre risque de rouler ou de glisser au bas de la pente une fois abattu.

Un chemin de repli doit être prévu et déblayé au besoin avant de commencer les coupes. Le chemin de repli doit s'étendre vers l'arrière et en diagonale par rapport à la ligne de chute prévue.

Avant de commencer l'abattage, prenez en compte l'inclinaison naturelle de l'arbre, la position des plus grosses branches ainsi que la direction du vent pour juger du chemin de chute de l'arbre.

Débarrassez l'arbre de la terre, des pierres, des écorces détachées, des clous, des agrafes et des câbles.

N'essayez pas d'abattre des arbres qui sont pourris, ou ont été endommagés par le vent, le feu, la foudre, etc. C'est extrêmement dangereux et ne doit être réalisé que par des



arboriculteurs professionnels.

- Entaille d'abattage
Voir page 273 - 274.

Effectuez l'encoche sur 1/3 du diamètre de l'arbre, perpendiculairement à la direction de la chute. Commencez par l'entaille horizontale inférieure. Vous aiderez ainsi à éviter de pincer soit la chaîne ou le guide-chaîne lors de la coupe de la deuxième entaille.

- Trait d'abattage
Voir page 273 - 274.

Effectuez le trait d'abattage au moins 50 mm au dessus de l'entaille d'abattage horizontale. Gardez le trait d'abattage parallèle à l'entaille d'abattage horizontale. Effectuez le trait d'abattage de façon à laisser assez de bois pour que se forme une charnière. La charnière évite que l'arbre ne se vrille et chute dans la mauvaise direction. Ne coupez pas dans la charnière.

À mesure que la coupe se rapproche de la charnière, l'arbre doit commencer à tomber. S'il existe une possibilité que l'arbre ne chute pas dans la direction prévue ou qu'il bascule et coince la chaîne, arrêtez la coupe avant que le trait d'abattage ne soit terminé et utilisez des coins en bois, en plastique ou en aluminium pour ouvrir la coupe et faire tomber l'arbre le long de la ligne de chute prévue.

lorsque l'arbre commence à tomber, retirez la tronçonneuse de la coupe, arrêtez le moteur, posez la tronçonneuse, puis empruntez le chemin de repli prévu. Prenez garde à la chute de branches hautes et assurez vous pas.

Coupe des racines de contrefort

Voir page 274.

Une racine de contrefort est une grosse racine partant du tronc de l'arbre jusqu'au sol. Coupez les grosses racines avant de procéder à l'abattage. Effectuez tout d'abord une entaille horizontale dans le contrefort, puis une entaille verticale. Dégagez la partie ainsi coupée de la zone de travail. Procédez à l'abattage après avoir retiré les racines de contrefort.

Poussée et traction

La force de réaction s'exerce toujours dans la direction opposée au sens de rotation de la chaîne. L'opérateur doit donc être prêt à contrer la tendance du produit à « sursauter » (mouvement vers l'avant) lors d'une coupe au niveau du bord inférieur de la lame. Appuyez toujours la griffe contre le bois afin d'éviter un tel mouvement. Lors d'une coupe le long du bord supérieur, le produit peut être poussé vers l'arrière (vers l'opérateur). Pour éviter ceci, assurez-vous que la chaîne n'est pas bloquée lors d'une coupe le long du bord supérieur.

Tronçonneuse coincée dans la coupe

Arrêtez la tronçonneuse et sécurisez-la. Ne tentez pas de faire sortir de force la chaîne et le guide-chaîne de la coupe, vous risqueriez de provoquer le bris de la chaîne qui pourrait alors basculer en arrière et frapper l'opérateur. Cette situation arrive généralement lorsque le bois est mal soutenu et force la coupe à se resserrer sous la pression, entraînant le pincement de la chaîne et du guide-chaîne. Si

le réglage du support ne parvient pas à dégager la chaîne et le guide-chaîne, ouvrez la coupe à l'aide de coins ou d'un levier. Ne tentez jamais de mettre la tronçonneuse en marche lorsque le guide-chaîne se trouve déjà dans une coupe ou dans un trait d'abattage.

Patinage / Rebond

Lorsque la tronçonneuse n'arrive pas à s'enfoncer dans le tronc ou la branche lors d'une coupe, le guide-chaîne peut se mettre à sauter ou à déraiper dangereusement sur la surface. Ceci pourrait provoquer une perte de contrôle de la tronçonneuse. Afin d'empêcher ou de limiter le patinage ou le rebond, tenez toujours la tronçonneuse avec les deux mains. Assurez-vous que la tronçonneuse forme une entaille pour la coupe.

Ne coupez jamais de branches ou de buissons souples et de petites tailles avec la tronçonneuse. Leur taille et leur souplesse peuvent facilement entraîner un rebond de la tronçonneuse dans votre direction ou la coincer avec suffisamment de force pour provoquer un rebond. Une scie à main, un sécateur et autres outils à main sont mieux adaptés à cet usage.

Coupe d'un tronçon

Voir page 275.

Le tronçonnage consiste à débiter une bûche en plusieurs tronçons. Il est important de vous assurer que votre appui au sol est ferme et que votre poids est bien réparti sur vos deux pieds. Lorsque cela est possible, la bûche doit être relevée et soutenue à l'aide de branches, de bûches ou de cales. Suivez les instructions de base pour une coupe facile. Lorsque la bûche est soutenue sur toute sa longueur, coupez-la par le dessus (tronçonnage par dessus).

Lorsque la bûche est soutenue par une extrémité, coupez 1/3 de son diamètre par le dessous (tronçonnage par dessous). Effectuez ensuite la coupe finale par le dessus en rejoignant la première coupe.

Lorsque la bûche est soutenue par ses deux extrémités, coupez 1/3 de son diamètre par le dessus (tronçonnage par dessus). Effectuez ensuite la coupe finale par le dessous aux 2/3 en rejoignant la première coupe.

Lorsque vous tronçonnez dans une pente, tenez-vous toujours en amont de la bûche. Lorsque vous atteignez la fin de la coupe, pour garder un contrôle total, relâchez la pression de coupe lorsque vous approchez de la fin de la coupe sans desserrer votre maintien des poignées de la tronçonneuse. Ne laissez pas la chaîne entrer en contact avec le sol. Une fois la coupe terminée, attendez l'arrêt complet de la chaîne avant de déplacer la tronçonneuse. Arrêtez toujours le moteur avant de passer d'un arbre à un autre.

Ébranchage d'un arbre

Voir page 276.

L'ébranchage consiste à retirer les branches d'un arbre abattu. Lorsque vous procédez à un ébranchage, laissez les plus grosses branches inférieures en place pour soulever le tronc du sol. Retirez les petites branches en une seule coupe. Les branches sous tension doivent être coupées du dessous vers le dessus afin d'éviter de coincer la tronçonneuse.

Tiges ressorts

Voir page 276.

Un fouet est une branche, souche déracinée ou un arbrisseau qui est fléchi par un autre morceau de bois, de telle sorte qu'il se détend brusquement lorsque l'on coupe ou retire le morceau de bois le retenant.

La souche déracinée d'un arbre abattu risque fortement de se détendre et de revenir en position verticale pendant la coupe pour la séparer du tronc. Attention aux fouets, ils sont dangereux. Ne tentez pas de couper des branches courbées ou des souches sous tension, à moins de n'avoir suivi un entraînement professionnel et d'en avoir les compétences.

⚠ AVERTISSEMENT

Les fouets sont dangereux car ils peuvent vous frapper et vous faire perdre le contrôle de la tronçonneuse. ce qui peut entraîner des blessures graves ou mortelles. Ceci doit être effectué par des utilisateurs entraînés.

TRANSPORT ET STOCKAGE

Voir page 281 - 284.

- Arrêter l'appareil et le débrancher de l'alimentation. Laissez le produit refroidir suffisamment avant de le ranger ou de le transporter.
- Débarrassez l'appareil de tous les corps étrangers. Rangez-le en un endroit frais, sec et correctement ventilé, hors de portée des enfants. Ne le rangez pas à proximité d'agents corrosifs tels que des produits chimiques de jardinage ou des sels de dégel. Ne rangez pas à l'extérieur.
- Mettez le fourreau de protection du guide-chaîne en place avant de ranger l'appareil, ainsi qu'au cours de son transport.
- Pour le transport, attachez le produit pour l'empêcher de bouger ou de tomber, afin d'éviter toute blessure et tout dommage matériel.

ENTRETIEN

Gardez toujours le produit en bon état de fonctionnement.

⚠ AVERTISSEMENT

N'utilisez que des pièces détachées et accessoires d'origine constructeur. Le non-respect de cette précaution peut entraîner de mauvaises performances, des blessures, et annuler votre garantie.

⚠ AVERTISSEMENT

Les opérations d'entretien demandent un soin et des connaissances extrêmes et ne doivent être effectuées que par un technicien de service qualifié. Confier l'entretien du produit à un centre d'entretien agréé. N'utilisez que des pièces détachées identiques pour effectuer les réparations.

⚠ AVERTISSEMENT

S'assurer que le cordon d'alimentation débranché du secteur avant d'entretenir, de nettoyer, de réparer ou d'effectuer des réglages. Le non-respect de cet avertissement peut entraîner de graves blessures.

- Vous n'êtes autorisé à effectuer que les réglages ou réparations décrits dans ce manuel. Pour les autres réparations, adressez-vous uniquement à un centre d'entretien agréé.
- Un mauvais entretien, un démontage incorrect, la suppression ou la modification de dispositifs de sécurité tels que le frein de la chaîne, les protège-mains (à l'avant et à l'arrière), la griffe, l'attrape-chaîne, le guide-chaîne ou la chaîne à faible effet de rebond pourraient empêcher le bon fonctionnement des fonctionnalités de sécurité et, par-là, augmenter le risque de blessure grave. Veillez à la sécurité permanente du produit et confiez son entretien à un personnel qualifié.
- L'affûtage de la chaîne en toute sécurité est une opération demandant un certain savoir-faire. Le fabricant conseille donc fortement de remplacer une chaîne usée ou émoussée par une chaîne neuve, disponible auprès de votre centre d'entretien agréé. Vous pourrez trouver la référence de la pièce dans le tableau des caractéristiques présent dans ce manuel.
- Respectez les instructions concernant la lubrification, la vérification de la tension de la chaîne et son réglage.
- Après chaque utilisation, utilisez un chiffon propre et sec pour nettoyer le produit.
- Vérifiez régulièrement le bon serrage des écrous, vis et boulons pour que la tondeuse soit toujours en bon état de fonctionnement. Toute pièce endommagée doit être correctement remplacée ou réparée par un service après-vente agréé.

RISQUES RÉSIDUELS

Même lorsque le produit est utilisé selon les prescriptions, il reste impossible d'éliminer totalement certains facteurs de risque résiduels. Les dangers suivants risquent de se présenter en cours d'utilisation et l'utilisateur doit faire particulièrement attention afin d'éviter ce qui suit :

- Blessures dues aux vibrations
 - Utilisez toujours l'outil adapté au travail à effectuer. Utiliser les poignées prévues à cet effet. Limiter la durée de travail et l'exposition.
- L'exposition au bruit peut provoquer des pertes d'audition.
 - Portez une protection auditive et limitez le temps d'exposition
- Contact avec les dents exposées de la scie de la chaîne (risques de coupures).
- Mouvement brusque et imprévu ou rebond du guide-chaîne (risques de coupures).
- Projection d'éléments en provenance de la chaîne (risques de coupures/injections).
- Éléments projetés en provenance de l'élément coupé (copeaux, éclats).

EN
FR
DE
ES
IT
NL
PT
DA
SV
FI
NO
RU
PL
CS
HU
RO
LV
LT
ET
HR
SK
SL
BG
UK
TR

- Inhalation de sciure et particules.
- La peau entre en contact avec de l'huile.

RÉDUCTION DES RISQUES

Il a été reporté que les vibrations engendrées par les outils à main peuvent contribuer à l'apparition d'un état appelé le Syndrome de Raynaud chez certaines personnes. Les symptômes peuvent comprendre des fourmillements, un engourdissement et un blanchiment des doigts, généralement par temps froid. Des facteurs héréditaires, l'exposition au froid et à l'humidité, le régime alimentaire, le tabagisme et les habitudes de travail peuvent contribuer au développement de ces symptômes. Certaines mesures peuvent être prises par l'utilisateur pour aider à réduire les effets des vibrations:

- Gardez votre corps au chaud par temps froid. Lorsque vous utilisez l'appareil, portez des gants afin de garder vos mains et vos poignets au chaud. Le temps froid est considéré comme un facteur contribuant très largement à l'apparition du Syndrome de Raynaud.
- Après chaque session de travail, pratiquez des exercices qui favorisent la circulation sanguine.
- Faites des pauses fréquentes. Limitez la quantité d'exposition journalière.
- Les gants de protection disponibles auprès des revendeurs professionnels de tronçonneuses sont spécialement destinés à l'utilisation avec une tronçonneuse, ils procurent une bonne protection et une bonne accroche, et ils réduisent également les effets des vibrations des poignées.

Si vous ressentez l'un des symptômes associés à ce syndrome, arrêtez immédiatement le travail et consultez votre médecin pour lui en faire part.

⚠ AVERTISSEMENT

L'utilisation prolongée d'un outil est susceptible de provoquer ou d'aggraver des blessures. Assurez-vous de faire des pauses de façon régulière lorsque vous utilisez tout outil de façon prolongée.

APPRENEZ À CONNAÎTRE VOTRE PRODUIT

Voir page 267.

1. Chaîne coupante
2. Guide-chaîne
3. Protège-main avant / frein de chaîne
4. Poignée avant
5. Bouton de déverrouillage de la gâchette
6. Poignée arrière
7. Patin d'ébranchage
8. Bouchon du réservoir d'huile
9. Accroche-câble
10. Interrupteur
11. Carter de pignon
12. Tension de la chaîne / Bouton de verrouillage du guide-chaîne
13. Fourreau de guide-chaîne
14. Attrape-chaîne

ÉLÉMENTS DE SÉCURITÉ

Chaîne à faible tendance au rebond

Une chaîne à faible rebond aide à réduire la possibilité qu'un rebond se produise.

Les limiteurs de profondeur situés à l'avant de chaque dent peuvent réduire la force de l'effet de rebond en évitant que les dents ne s'enfoncent trop profondément dans la zone de rebond. N'utilisez que les combinaisons de chaînes et guides-chaînes recommandés par le fabricant.

Redoublez de vigilance après avoir aiguisé la chaîne de votre tronçonneuse, car l'aiguisage rend la chaîne moins résistante au rebond. Pour votre sécurité, remplacez les chaînes des tronçonneuses lorsque leurs performances de coupe diminuent.

Patin d'ébranchage

Tout le patin d'ébranchage peut être utilisé comme pivot lors d'une coupe. Cela aide à garder le corps de la tronçonneuse stable en cours de coupe. Lors de la coupe, poussez la machine vers l'avant jusqu'à ce que les pointes s'enfoncent dans le bord du bois, puis en déplaçant la poignée arrière vers le bas et vers le haut dans le sens du trait de coupe, facilitez la libération des efforts de coupe

Guide-chaîne

En général, les guides-chaîne dont l'embout a un petit rayon sont moins susceptibles de provoquer un rebond. Vous devriez utiliser un guide-chaîne et une chaîne juste assez longs pour le travail à effectuer. Des guides-chaînes plus longs augmentent le risque de perte de contrôle en cours de coupe. Vérifiez régulièrement la tension de la chaîne. Lors de la coupe de branches courtes (plus courtes que le guide-chaîne) la chaîne a plus de chances de se faire éjecter si la tension n'est pas correcte.

Frein de chaîne

Le frein de chaîne a été conçu pour permettre d'arrêter rapidement la chaîne de tourner. La chaîne doit s'arrêter immédiatement lorsque le levier du frein / protège-main est poussé vers l'avant. Un frein de chaîne n'empêche pas l'effet de rebond. Il ne fait que diminuer le risque de blessures en cas de contact du guide-chaîne avec le corps de l'opérateur en cas de rebond. Le frein de chaîne doit être testé avant chaque utilisation afin de vérifier son bon fonctionnement à la fois en position de fonctionnement et en position de frein.

Attrape-chaîne

Un bloqueur empêche la chaîne de reculer vers l'opérateur si elle se détend ou se casse.

MONTAGE

⚠ AVERTISSEMENT

Si une quelconque pièce ou partie de ce produit est manquante ou endommagée, ne l'utilisez pas avant d'avoir changé la pièce. Le non-respect de cet avertissement pourrait entraîner de graves blessures.

MONTAGE DE LA CHAÎNE ET DU GUIDE-CHAÎNE

Voir page 268 - 269.

1. Débranchez la fiche secteur. Portez des gants de protection.
2. Dévissez le bouton de verrouillage du guide-chaîne puis retirez le carter de pignon.
3. La chaîne doit être orientée vers son sens de rotation. Si elle est orientée dans le sens inverse, retournez la boucle que vous avez formée.
4. Placez les maillons d'entraînement dans la rainure du guide.
5. Positionnez la chaîne de façon à former une boucle à l'arrière du guide.
6. Maintenez la chaîne en place sur le guide-chaîne et enroulez la boucle autour du pignon. Abaissez le guide-chaîne de façon que le boulon puisse passer dans le trou du tendeur de chaîne attenant.
7. Remplacez le carter de pignon et serrez la molette de verrouillage de la barre de guidage/tension de chaîne en la tournant dans le sens horaire jusqu'à ce qu'elle s'enclenche. Vérifiez régulièrement la tension de la chaîne.
La tension est correcte lorsque le jeu entre les dents de la chaîne et le guide-chaîne est de 3 mm à 4 mm. Tirez la chaîne vers le bas au niveau du milieu de la partie inférieure du guide-chaîne (de façon à l'éloigner du guide-chaîne) et mesurez la distance entre le guide-chaîne et les dents de la chaîne.
8. Serrez et verrouillez la molette de verrouillage de la barre de guidage/tension de la chaîne en la tournant dans le sens horaire.

RÉGLAGE DE LA TENSION DE LA CHAÎNE

Voir page 279.

1. Débranchez le produit de la prise secteur. Portez des gants de protection.
2. Pour corriger la tension de la chaîne, desserrez complètement la molette de verrouillage de la barre de guidage/tension de chaîne en la tournant dans le sens horaire jusqu'à ce qu'elle s'enclenche. Vérifiez régulièrement la tension de la chaîne.
La tension est correcte lorsque le jeu entre les dents de la chaîne et le guide-chaîne est de 3 mm à 4 mm. Tirez la chaîne vers le bas au niveau du milieu de la partie inférieure du guide-chaîne (de façon à l'éloigner du guide-chaîne) et mesurez la distance entre le guide-chaîne et les dents de la chaîne.
3. Serrez et verrouillez la molette de verrouillage de la barre de guidage/tension de la chaîne en la tournant dans le sens horaire.

REMARQUE: S'assurer que la barre de guidage et le tendeur de chaîne se déplacent librement, sans saleté, et que la chaîne de la tronçonneuse est correctement enroulée autour du pignon. En cas de tension excessive ou insuffisante de la chaîne après verrouillage de la molette de verrouillage de la barre de guidage/de la tension de la chaîne, vérifier que la barre de guidage et le tendeur de chaîne sont propres et correctement assemblés.

Si nécessaire, retirer le couvercle du pignon et la barre de guidage à des fins de nettoyage, puis réassembler les pièces.

UTILISATION

AJOUT D'HUILE DE LUBRIFICATION DE CHAÎNE

Voir page 269.

⚠ AVERTISSEMENT

Ne travaillez jamais sans huile de chaîne. Si la chaîne tourne sans lubrifiant, cela peut endommager la chaîne et le guide-chaîne. Il est essentiel de vérifier fréquemment le niveau d'huile dans la jauge de niveau d'huile, ainsi qu'avant toute utilisation de la tronçonneuse.

1. Nettoyez la surface autour du bouchon d'huile pour éviter toute contamination.
2. Dévissez et retirez le bouchon du réservoir d'huile.
3. Versez l'huile dans le réservoir d'huile et vérifiez la jauge de niveau d'huile. Prenez garde de ne pas faire pénétrer de saletés dans le réservoir d'huile lors de son remplissage.
4. Remettez le bouchon d'huile en place et serrez-le. Essuyez toute huile renversée.
5. Un réservoir d'huile plein vous permet d'utiliser la tronçonneuse pendant 12 - 18 minutes.

MAINTENIR LA TRONÇONNEUSE

Voir page 269.

Tenez toujours la tondeuse avec votre main droite sur la poignée arrière et votre main gauche sur la poignée avant. Agrippez les deux poignées de façon que vos pouces et vos doigts les encerclent. Assurez-vous que votre main gauche tient la poignée avant de telle façon que votre pouce se trouve en dessous.

⚠ AVERTISSEMENT

Gardez toujours le câble d'alimentation bien en ordre et éloigné de la zone de coupe. En plus des dangers d'électrocution qu'ils présentent, les câbles en désordre peuvent provoquer des débordements et des chutes.

DÉMARRAGE DE LA TRONÇONNEUSE

Voir page 269.

1. Connecter le produit à une prise électrique. Assurez-vous que le frein de chaîne est en position RUN en tirant le levier/protège-main vers l'arrière.
2. Pour démarrer le produit : Appuyer sur le système de libération du déclencheur, puis appuyer sur le déclencheur de marche/arrêt.

VÉRIFICATION ET UTILISATION DU FREIN DE CHAÎNE

1. Actionnez le frein de chaîne en faisant tourner votre main gauche autour de la poignée avant. À l'aide du dos de votre main, poussez le levier du frein de chaîne/ sur le protège-mains en direction du guide-chaîne alors que la chaîne est en rotation rapide. La chaîne doit s'arrêter de tourner immédiatement. Assurez-vous de maintenir les poignées de la tronçonneuse des deux mains en permanence.
2. Remettez le frein de chaîne en position Run (fonctionnement) en saisissant la partie supérieure

du levier de frein/protège-mains et en le tirant vers la poignée avant jusqu'à entendre un clic.

AVERTISSEMENT

Si le frein de la chaîne n'arrête pas la chaîne immédiatement, ou si le frein de la chaîne ne reste pas en position de marche (run) sans assistance, apporter l'outil dans un centre d'entretien agréé afin de le faire réparer avant la prochaine utilisation.

REPLACEMENT LA BARRE DE GUIDAGE ET LA CHAÎNE DE LA TRONÇONNEUSE

Voir page 277 - 278.

- Débranchez le produit de la prise secteur. Portez des gants de protection.
- Déverrouillez la molette de verrouillage de la barre de guidage/tension de la chaîne en la tournant dans le sens anti-horaire jusqu'à ce que le carter de pignon se desserre.
- Retirez le carter de pignon. Retirez le guide-chaîne ainsi que la chaîne de l'outil.
- Déposez le vis maintenant la barre de guidage sur le bloc tendeur de la chaîne. Éliminez correctement la barre et la chaîne usagées.
- Montez le tendeur de chaîne sur la nouvelle barre et serrez les vis. Mettez la nouvelle chaîne en place sur le guide-chaîne (dans le bon sens) et assurez-vous que les maillons d'entraînement sont bien alignés dans la rainure du guide-chaîne.
- Assemblez le guide-chaîne sur la tronçonneuse puis passez la chaîne autour du pignon d'entraînement. Remettez le carter de pignon en place.
- Serrez et verrouillez la molette de verrouillage de la barre de guidage/tension de la chaîne en la tournant dans le sens horaire.

La tension est correcte lorsque le jeu entre les dents de la chaîne et le guide-chaîne est de 3 mm à 4 mm. Tirez la chaîne vers le bas au niveau du milieu de la partie inférieure du guide-chaîne (de façon à l'éloigner du guide-chaîne) et mesurez la distance entre le guide-chaîne et les dents de la chaîne.

Réglez la tension de la chaîne. Reportez-vous au chapitre « Réglage de la tension de la chaîne ».

AVERTISSEMENT

Un mauvais aiguisage de la chaîne augmente le risque de rebond.

AVERTISSEMENT

Si vous ne remplacez pas ou ne réparez pas une chaîne endommagée, vous vous exposez à des risques de blessures corporelles graves.

AVERTISSEMENT

La chaîne est très coupante. Portez toujours des gants de protection lorsque vous assurez son entretien.

VÉRIFICATION ET NETTOYAGE DU FREIN DE CHAÎNE

Voir page 280.

- Gardez toujours le mécanisme de frein de chaîne propre en en brossant légèrement l'accouplement pour en retirer la saleté.
- Testez toujours l'efficacité du frein de chaîne après l'avoir nettoyé. Pour plus d'informations, consulter la section « Fonctionnement - Vérification et utilisation du frein de la chaîne » dans ce manuel.

PÉRIODICITÉ D'ENTRETIEN

| Vérification quotidienne | |
|--|---|
| Câble d'alimentation pour vérifier qu'il n'est pas endommagé | Avant chaque utilisation |
| Lubrification du guide | Avant chaque utilisation |
| Tension de la chaîne | Avant chaque utilisation et fréquemment |
| Affûtage de la chaîne | Avant chaque utilisation, vérification visuelle |
| Pièces éventuellement endommagées | Avant chaque utilisation |
| Attaches mal serrées | Avant chaque utilisation |
| Le bon fonctionnement du frein de chaîne | Avant chaque utilisation |
| Vérification et nettoyage | |
| Guide-chaîne | Avant chaque utilisation |
| Tronçonneuse dans son ensemble | Après chaque utilisation |
| Frein de chaîne | Toutes les 5 heures* |

*Heures de fonctionnement

SYMBOLES APPLIQUÉS SUR LE PRODUIT



Alerte de sécurité



Afin de réduire les risques de blessures, il est indispensable de bien lire et de bien comprendre le présent manuel d'utilisation avant d'utiliser cet outil.



Portez une protection oculaire et auditive ainsi qu'un casque



Portez des chaussures de sécurité antidérapantes lorsque vous utilisez le produit.



Portez des gants de protection solides et antidérapants.



Débranchez immédiatement la fiche secteur avant l'entretien ou si le câble est endommagé ou coupé.



Prenez garde au phénomène de rebond de la tronçonneuse et évitez le contact avec l'extrémité du guide-chaîne.



N'exposez pas ce produit à la pluie ou à des conditions humides.



Tenez et utilisez votre tronçonneuse avec vos deux mains.



N'utilisez pas votre tronçonneuse en la tenant avec une seule main.



Cet outil est conforme à l'ensemble des normes réglementaires du pays de l'UE où il a été acheté.



Marque de qualité EurAsian



Outil de Classe II, isolation double



Marque de conformité ukrainienne



Les produits électriques hors d'usage ne doivent pas être jetés avec les ordures ménagères. Recyclez-les par l'intermédiaire des structures disponibles. Contactez les autorités locales ou votre distributeur pour vous renseigner sur les conditions de recyclage.



Le niveau de puissance sonore garanti est de 104 dB (RCS1935B)



Le niveau de puissance sonore garanti est de 105 dB (RCS2340B)



Lubrifiant pour chaîne et guide-chaîne



Frein de chaîne

Tournez la molette de façon à verrouiller ou à déverrouiller la barre de guidage.



Verrouillage



Déverrouillage



Sens de déplacement de la chaîne.
(Indiqué sous le carter de chaîne)

SYMBOLES DE CE MANUEL



Branchez sur le secteur.



Débranchez du secteur.



Pièces détachées et accessoires vendus séparément



Remarque



AVERTISSEMENT



Portez une protection oculaire et faciale.



Portez une protection du haut du corps.



Portez une protection des jambes.



Arrêtez l'appareil.

Les symboles suivants, et les noms qui leur sont associés, permettent d'expliquer les différents niveaux de risques liés à l'utilisation de cet outil.

⚠ DANGER

Imminence d'un danger qui, si l'on n'y prend garde, peut entraîner la mort ou des blessures graves.

⚠ AVERTISSEMENT

Situation potentiellement dangereuse qui, si l'on n'y prend garde, peut entraîner la mort ou des blessures graves.

⚠ MISE EN GARDE

Situation potentiellement dangereuse qui, si l'on n'y prend garde, peut entraîner des blessures moyennes ou légères.

MISE EN GARDE

Sans symbole d'alerte de sécurité

Indique une situation pouvant entraîner des dommages matériels.

Sicherheit, Leistung und Zuverlässigkeit hatten oberste Priorität bei der Entwicklung Ihrer elektrische Kettensäge.

BESTIMMUNGSGEMÄSSE VERWENDUNG

Die elektrische Kettensäge ist nur zum Einsatz im Freien vorgesehen. Aus Sicherheitsgründen muss das Produkt bei der Benutzung mit beiden Hände immer ausreichend kontrolliert werden.

Das Produkt wurde zum Sägen von Ästen, Stämmen und Balken mit einem Durchmesser, der durch die Schnittlänge der Führungsschiene bestimmt wird, entwickelt. Sie darf ausschließlich zum Schneiden von Holz verwendet werden. Es sollte nur von Erwachsenen, die ausreichend über die Gefahren und Vorbeugungs-/ Schutzmaßnahmen unterwiesen wurden, für den Hausgebrauch verwendet werden.

Das Produkt darf nicht von Kindern oder Personen, die nicht die erforderliche persönliche Schutzausstattung und -kleidung tragen, verwendet werden. Es darf nicht im Rahmen professioneller Baumarbeiten eingesetzt werden. Es darf zu keinen anderen Zwecken verwendet werden.

⚠️ WARNUNG

Die Sicherheitsregeln müssen befolgt werden, wenn dieses Produkt benutzt wird. Lesen Sie für Ihre eigene Sicherheit und die von Umstehenden diese Anweisungen, bevor Sie das Produkt benutzen. Die Anweisungen müssen vollständig verstanden werden. Sie sollten einen professionell organisierten Sicherheitskurs über die Verwendung, Präventionsmaßnahmen, Erste Hilfe und Wartung der Kettensäge besuchen. Bitte bewahren Sie die Anweisungen zum späteren Nachschlagen auf.

⚠️ WARNUNG

Kettensägen sind potenziell gefährliche Werkzeuge. Unfälle mit Kettensägen führen oft zum Verlust von Gliedmaßen oder zum Tode. Es ist nicht nur die Kettensäge, die gefährlich ist. Fallende Äste, umfallende Bäume, rollende Baumstämme können töten. Krankes oder verfaultes Holz stellt eine weitere Gefahr dar. Sie sollten Ihre Fähigkeiten die Aufgabe sicher zu bewältigen abschätzen. Wenn Sie irgendwelche Bedenken haben, überlassen Sie die Arbeit einem professionellen Baumpfleger.

ALLGEMEINE SICHERHEITSHINWEISE FÜR ELEKTROWERKZEUGE

⚠️ WARNUNG

Lesen Sie alle Sicherheitshinweise und Anweisungen. Versäumnisse bei der Einhaltung der Sicherheitshinweise und Anweisungen können elektrischen Schlag, Brand und/oder schwere Verletzungen verursachen.

Bewahren Sie alle Sicherheitshinweise und Anweisungen für die Zukunft auf.

Der in den Sicherheitshinweisen verwendete Begriff „Elektrowerkzeug“ bezieht sich auf netzbetriebene Elektrowerkzeuge (mit Netzkabel) und auf akkubetriebene Elektrowerkzeuge (ohne Netzkabel).

ARBEITSPLATZSICHERHEIT

- **Halten Sie Ihren Arbeitsbereich sauber und gut beleuchtet.** Unordnung oder unbeleuchtete Arbeitsbereiche können zu Unfällen führen.
- **Arbeiten Sie mit dem Elektrowerkzeug nicht in explosionsgefährdeter Umgebung, in der sich brennbare Flüssigkeiten, Gase oder Stäube befinden.** Elektrowerkzeuge erzeugen Funken, die den Staub oder die Dämpfe entzünden können.
- **Halten Sie Kinder und andere Personen während der Benutzung des Elektrowerkzeugs fern.** Bei Ablenkung können Sie die Kontrolle über das Gerät verlieren.

ELEKTRISCHE SICHERHEIT

- **Der Anschlussstecker des Elektrowerkzeuges muss in die Steckdose passen. Der Stecker darf in keiner Weise verändert werden. Verwenden Sie keine Adapterstecker gemeinsam mit schutzgeerdeten Elektrowerkzeugen.** Unveränderte Stecker und passende Steckdosen verringern das Risiko eines elektrischen Schlages!
- **Vermeiden Sie Körperkontakt mit geerdeten Oberflächen wie von Rohren, Heizungen, Herden und Kühlschränken.** Es besteht ein erhöhtes Risiko durch elektrischen Schlag, wenn Ihr Körper geerdet ist.
- **Halten Sie Elektrowerkzeuge von Regen oder Nässe fern.** Das Eindringen von Wasser in ein Elektrowerkzeug erhöht das Risiko eines elektrischen Schlages.
- **Das Stromkabel nicht überstrapazieren. Zweckentfremden Sie das Kabel nicht, um das Elektrowerkzeug zu tragen, aufzuhängen oder um den Stecker aus der Steckdose zu ziehen. Halten Sie das Kabel fern von Hitze, Öl, scharfen Kanten, oder sich bewegendem Geräteteilen.** Beschädigte oder verwickelte Kabel erhöhen das Risiko eines elektrischen Schlages.
- **Wenn Sie mit einem Elektrowerkzeug im Freien arbeiten, verwenden Sie nur Verlängerungskabel, die auch für den Außenbereich geeignet sind.** Die Anwendung eines für den Außenbereich geeigneten Verlängerungskabels verringert das Risiko eines elektrischen Schlages.
- **Wenn der Betrieb des Elektrowerkzeuges in feuchter Umgebung nicht vermeidbar ist, verwenden Sie einen Fehlerstromschutzschalter.** Der Einsatz eines Fehlerstromschutzschalters vermindert das Risiko eines elektrischen Schlages.

SICHERHEIT VON PERSONEN

- **Seien Sie aufmerksam, achten Sie darauf, was Sie tun und gehen Sie mit Vernunft an die Arbeit mit einem Elektrowerkzeug. Benutzen Sie kein Elektrowerkzeug, wenn Sie müde sind oder unter dem Einfluss von Drogen, Alkohol**



oder Medikamenten stehen. Ein Moment der Unachtsamkeit beim Gebrauch des Elektrowerkzeuges kann zu ernsthaften Verletzungen führen.

- **Verwenden Sie Schutzausrüstung. Immer eine Schutzbrille.** Das Tragen persönlicher Schutzausrüstung, wie Staubmaske, rutschfeste Sicherheitsschuhe, Schutzhelm oder Gehörschutz, je nach Art und Einsatz des Elektrowerkzeuges, verringert das Risiko von Verletzungen.
- **Vermeiden Sie eine unbeabsichtigte Inbetriebnahme. Vergewissern Sie sich, dass das Elektrowerkzeug ausgeschaltet ist, bevor Sie es an die Stromversorgung und/oder den Akku anschließen, es aufnehmen oder tragen.** Wenn Sie beim Tragen des Elektrowerkzeugs den Fingern am Schalter haben oder das Gerät eingeschaltet an die Stromversorgung anschließen, kann dies zu Unfällen führen.
- **Entfernen Sie Einstellwerkzeuge oder Schraubenschlüssel, bevor Sie das Elektrowerkzeug einschalten.** Ein Werkzeug oder Schlüssel, der sich in einem drehenden Geräteteil befindet, kann zu Verletzungen führen.
- **Nehmen Sie keine Abnormale Körperhaltung ein. Sorgen Sie für einen sicheren Stand und halten Sie jederzeit das Gleichgewicht.** Dadurch können Sie das Elektrowerkzeug in unerwarteten Situationen besser kontrollieren.
- **Tragen Sie geeignete Kleidung. Tragen Sie keine locker sitzende Kleidung oder Schmuck. Halten Sie Haare, Kleidung und Handschuhe fern von sich bewegenden Teilen.** Lockere Kleidung, Schmuck oder lange Haare können von sich bewegenden Teilen erfasst werden.
- **Wenn Staubabsaug- und -auffangeinrichtungen montiert werden können, vergewissern Sie sich, dass diese angeschlossen sind und richtig verwendet werden.** Verwendung einer Staubabsaugung kann Gefährdungen durch Staub verringern.

VERWENDUNG UND BEHANDLUNG DES ELEKTROWERKZEUGES

- **Überlasten Sie das Gerät nicht. Verwenden Sie für Ihre Arbeit das dafür bestimmte Elektrowerkzeug.** Mit dem passenden Elektrowerkzeug arbeiten Sie besser und sicherer im angegebenen Leistungsbereich.
- **Benutzen Sie kein Elektrowerkzeug, dessen Schalter defekt ist.** Ein Elektrowerkzeug, das sich nicht mehr ein- oder ausschalten lässt, ist gefährlich und muss repariert werden.
- **Ziehen Sie den Stecker aus der Steckdose und/oder entfernen Sie den Akku, bevor Sie Geräteeinstellungen vornehmen, Zubehörteile wechseln oder das Gerät weglegen.** Diese Vorsichtsmaßnahme verhindert den unbeabsichtigten Start des Elektrowerkzeuges.
- **Bewahren Sie unbenutzte Elektrowerkzeuge außerhalb der Reichweite von Kindern auf. Lassen Sie Personen das Gerät nicht benutzen, die mit diesem nicht vertraut sind oder diese Anweisungen**

nicht gelesen haben. Elektrowerkzeuge sind gefährlich, wenn sie von unerfahrenen Personen benutzt werden

- **Pflegen Sie Elektrowerkzeuge mit Sorgfalt. Kontrollieren Sie, ob bewegliche Teile einwandfrei funktionieren und nicht klemmen, ob Teile gebrochen oder so beschädigt sind, dass die Funktion des Elektrowerkzeuges beeinträchtigt ist. Lassen Sie beschädigte Teile vor dem Einsatz des Gerätes reparieren.** Viele Unfälle haben ihre Ursache in schlecht gewarteten Elektrowerkzeugen.
- **Halten Sie Schneidwerkzeuge scharf und sauber.** Sorgfältig gepflegte Schneidwerkzeuge mit scharfen Schneidkanten verklemmen sich weniger und sind leichter zu führen.
- **Verwenden Sie Elektrowerkzeug, Zubehör, Einsatzwerkzeuge usw. entsprechend diesen Anweisungen. Berücksichtigen Sie dabei die Arbeitsbedingungen und die auszuführende Tätigkeit.** Der Gebrauch von Elektrowerkzeugen für andere als die vorgesehenen Anwendungen kann zu gefährlichen Situationen führen.
- **Halten Sie die Griffe und Griffflächen trocken, sauber und frei von Öl und Schmierstoffen.** Rutschige Griffe und Griffflächen verhindern die sichere Bedienung und Kontrolle des Werkzeugs in unerwarteten Situationen.

SERVICE

- **Lassen Sie Ihr Elektrowerkzeug nur von qualifiziertem Fachpersonal und nur mit Original-Ersatzteilen reparieren.** Damit wird sichergestellt, dass die Sicherheit des Elektrowerkzeuges erhalten bleibt.

ZUSÄTZLICHE ALLGEMEINE SICHERHEITSWARNUNGEN

- In einigen Regionen können Vorschriften die Benutzung dieses Produkts einschränken. Lassen Sie sich von Ihrer örtlichen Behörde beraten.
- Erlauben Sie niemals Kindern oder Personen, die mit diesen Anweisungen nicht vertraut sind, das Produkt zu benutzen. Die lokale Gesetzgebung regelt das Mindestalter des Benutzers.
- Stellen Sie sicher, dass alle Bedienelemente und Sicherheitsvorrichtungen ordnungsgemäß funktionieren. Benutzen Sie das Produkt nicht, wenn der „Aus“ Schalter den Motor nicht stoppt
- Tragen Sie beim Bedienen des Geräts vollständigen Augen- und Gehörschutz, starke und stabile Handschuhe und auch einen Kopfschutz. Benutzen Sie bei Staub eine Gesichtsmaske.
- Tragen Sie keine weite Kleidung, kurze Hosen oder Schmuck jeglicher Art.
- Binden Sie lange Haare zurück, so dass diese sich über Schulterhöhe befinden um zu verhindern, dass sie sich in sich bewegenden Teilen verfangen.
- Achten Sie auf geschleuderte oder fallende Objekte. Halten Sie unbeteiligte Personen (insbesondere Kinder und Tiere) mindestens 15m vom Arbeitsbereich fern.

| |
|----|
| EN |
| FR |
| DE |
| ES |
| IT |
| NL |
| PT |
| DA |
| SV |
| FI |
| NO |
| RU |
| PL |
| CS |
| HU |
| RO |
| LV |
| LT |
| ET |
| HR |
| SK |
| SL |
| BG |
| UK |
| TR |



- Nicht bei schlechter Beleuchtung verwenden. Der Benutzer braucht einen ungehinderten Blick auf den Arbeitsbereich, um mögliche Gefahren zu erkennen.
- Das Tragen von Gehörschutz verringert Ihre Fähigkeit Warnungen zu hören (Warnungen oder Zurufe). Der Benutzer muss dem, was im Arbeitsbereich vor sich geht ganz besondere Beachtung schenken.
- Der Betrieb ähnlicher Werkzeuge in der Umgebung erhöht das Risiko von Gehörschäden und die Wahrscheinlichkeit, dass andere Personen Ihren Arbeitsbereich betreten.
- Halten Sie immer das Gleichgewicht. Nehmen Sie keine Abnormale Körperhaltung ein. Eine abnormale Körperhaltung kann zu einem Verlust des Gleichgewichts und die Gefahr eines Rückschlags erhöhen.
- Halten Sie alle Körperteile von den sich bewegenden Teilen fern.
- Untersuchen Sie die Maschine vor der Benutzung. Überprüfen Sie für den ordnungsgemäßen Betrieb alle Bedienungselemente, einschließlich der Kettenbremse. Überprüfen Sie ob alle Teile fest sitzen, ob alle Kraftstoff- und Ölleitungen dicht sind, stellen Sie sicher, dass alle Schutzabdeckungen und Griffe ordnungsgemäß und sicher befestigt sind. Ersetzen Sie vor der Benutzung irgendwelche beschädigten Teile.
- Verändern Sie die Maschine nicht auf irgendeine Weise oder verwenden Teile oder Zubehör die nicht vom Hersteller empfohlen sind.
- Eine Spannungsspitze kann Spannungsschwankungen verursachen und andere elektrische Produkte an der selben Stromleitung beeinflussen. Schließen Sie das Produkt an eine Stromversorgung mit einer Impedanz von 0,33 Ω an, um die Spannungsschwankungen zu minimieren. Kontaktieren Sie Ihren Stromlieferanten für weitere Erklärungen.

⚠️ WARNUNG

Wenn das Produkt fallen gelassen wurde oder einen schweren Schlag erhielt oder ungewöhnlich vibriert, stoppen Sie das Produkt sofort und überprüfen es auf Schäden oder identifizieren Sie die Ursache der Vibration. Jeder Schaden muß durch den autorisierten Kundendienst ordnungsgemäß repariert oder ausgetauscht werden.

- Die Stromversorgung sollte über eine Fehlerstromschutzeinrichtung mit einem Auslösestrom von nicht mehr als 30 mA angeschlossen werden.
- Wenn Sie ein Verlängerungskabel benutzen müssen, stellen Sie sicher, dass es für den Einsatz im Freien geeignet ist und ausreichend für die Strombelastung Ihres Produktes ist. Überprüfen Sie es vor jeder Benutzung auf Schäden. Entrollen Sie es immer, weil aufgewickelte Kabel überhitzen können. Beschädigte Verlängerungskabel sollten nicht repariert werden, sie sollten durch einem gleichwertigen Typ ersetzt werden.
- Wenn das Stromkabel beschädigt ist, muss es vor der Verwendung ersetzt werden.
- Stellen Sie sicher, dass das Netzkabel so liegt, dass es

nicht von dem Schneidwerkzeug beschädigt wird, man nicht darauf tritt, darüber stolpert, oder es auf andere Weise Beschädigungen und Belastungen ausgesetzt wird.

- Benutzen Sie niemals das Netzkabel, um das Produkt aufzuheben oder zu tragen.
- Ziehen Sie niemals das Netzkabel um die Stromversorgung zu trennen.
- Halten Sie das Netzkabel fern von Hitze, Öl, und scharfen Kanten.
- Überprüfen Sie das Netzkabel vor jeder Benutzung auf Schäden. Es muss von einer qualifizierten Person in einem autorisierten Kundendienst ausgetauscht werden, wenn Beschädigungen sichtbar sind, damit eine Gefahr vermieden wird.

KETTENSÄGE SICHERHEITSWARNUNGEN

- **Halten Sie bei laufender Säge alle Körperteile von der Kettensäge fern. Vergewissern Sie sich vor dem Starten der Säge, dass die Sägekette nichts berührt.** Beim Arbeiten mit einer Kettensäge kann ein Moment der Unachtsamkeit dazu führen, dass das Bekleidung oder Körperteile von der Sägekette erfasst werden.
- **Halten Sie die Kettensäge immer mit der rechten Hand am hinteren Griff und mit der linken Hand am vorderen Griff.** Ein Festhalten der Kettensäge in umgekehrter Arbeitshaltung erhöht das Risiko von Verletzungen und darf nicht angewendet werden.
- **Halten Sie das Elektrowerkzeug nur an der isolierte Greiffläche, da die Sägekette in Kontakt mit versteckter Verkabelung kommen kann.** Sägeketten, die einen spannungsführenden Draht berühren, machen metallne Teile des Elektrowerkszeugs spannungsführend und könnten dem Bediener einer elektrischen Schlag versetzen.
- **Tragen Sie eine Schutzbrille- und Gehörschutz. Weitere Schutzausrüstung für Kopf, Hände, Beine und Füße wird empfohlen.** Passende Schutzkleidung mindert die Verletzungsgefahr durch herumfliegendes Spanmaterial und zufälliges Berühren der Sägekette.
- **Arbeiten Sie mit der Kettensäge nicht auf einem Baum.** Bei Betrieb auf einem Baum besteht Verletzungsgefahr.
- **Achten Sie immer auf einen festen Stand, und benutzen Sie die Kettensäge nur, wenn Sie auf einer festem, sicherem und ebenem Grund stehen.** Rutschiger Untergrund oder instabile Standflächen wie auf einer Leiter können zum Verlust des Gleichgewichts oder zum Verlust der Kontrolle über die Kettensäge führen.
- **Rechnen Sie beim Schneiden eines unter Spannung stehenden Astes damit, dass dieser zurückfedert.** Wenn die Spannung in den Holzfasern freikommt, kann der gespannte Ast die Bedienperson treffen und / oder die Kettensäge der Kontrolle entreißen.
- **Seien Sie besonders vorsichtig beim Schneiden von Unterholz und jungen Bäumen.** Das dünne Material kann sich in der Sägekette verfangen und auf Sie schlagen oder Sie aus dem Gleichgewicht bringen.



- **Tragen Sie die Kettensäge am vorderen Handgriff im ausgeschalteten Zustand und am Vordergriff, die Sägeketten von Ihrem Körper abgewandt. Bei Transport oder Aufbewahrung der Kettensäge stets die Schutzabdeckung aufziehen.** Sorgfältiger Umgang mit der Kettensäge verringert die Wahrscheinlichkeit einer versehentlichen Berührung mit der laufenden Sägekette.
- **Befolgen Sie Anweisungen zum Schmierung, die Kettenspannung dem Spannen der Kette und dem Wechseln von Zubehör.** Eine unsachgemäß gespannte oder geschmerte Kette kann entweder reißen oder das Rückschlagrisiko erhöhen.
- **Halten Sie die Griffe trocken, sauber und frei von Öl und Schmierstoffen.** Fettige, ölige Griffe sind rutschig und führen zum Verlust der Kontrolle.
- **Nur Holz sägen. Die Kettensäge nicht für Arbeiten verwenden, für die sie nicht bestimmt ist. Verwenden Sie die Kettensäge nicht zum Sägen von Plastik, Mauerwerk oder Baumaterialien, die nicht aus Holz sind.** Die Verwendung der Kettensäge für nicht bestimmungsgemäße Arbeiten kann zu gefährlichen Situationen führen.

Gründe für einen Rückschlag und wie man einen Rückschlag vermeidet:

Wenn die Spitze der Führungsschiene einen Gegenstand berührt oder wenn sich die Kette beim Sägen im Schnittpunkt verklemmt und blockiert, kann ein Rückschlag auftreten.

Ein Kontakt mit der Spitze kann in manchen Fällen zu einer plötzlichen, entgegengesetzten Reaktion führen, wobei die Führungsschiene hoch und zurück gegen den Benutzer geschlagen wird.

Wenn die Sägekette an der Oberseite der Führungsschiene eingeklemmt wird, kann sich die Führungsschiene sehr schnell zurück, in Richtung des Benutzers bewegen.

Beide Vorkommnisse können dazu führen, dass Sie die Kontrolle über die Maschine verlieren, was wiederum zu schweren Verletzungen führen kann. Sich nicht nur auf die Sicherheitsvorrichtungen der Säge verlassen. Ein Benutzer der Kettensäge muss einige Vorkehrungen treffen, um Sägearbeiten ohne Unfälle oder Verletzungen durchführen zu können.

Ein Rückschlag ist die Folge einer falschen Verwendung des Werkzeugs und/oder einer falschen Arbeitsweise bzw. falschen Arbeitsbedingungen und kann durch Ergreifen der folgenden Vorsichtsmaßnahmen vermieden werden:

- **Achten Sie jederzeit auf einen festen Griff bei dem Daumen und Finger die Griffe der Kettensäge umfassen und halten sie beide Hände an der Säge. Halten Sie Körper und Arm so, dass es ihnen möglich ist, den Kräften eines Rückschlags zu widerstehen.** Die Kräfte eines Rückschlags können durch den Benutzer unter Kontrolle gehalten werden, wenn die richtigen Vorsichtsmaßnahmen ergriffen werden. Lassen Sie die Kettensäge nicht los.
- **Nehmen Sie keine abnormale Körperhaltung ein und sägen Sie nicht höher als auf Schulterhöhe.** Das hilft, unbeabsichtigten Kontakt mit der Spitze zu vermeiden und ermöglicht eine bessere Kontrolle der Kettensäge in unerwarteten Situationen.

- **Verwenden Sie ausschließlich die durch den Hersteller vorgeschriebenen Ersatzschiene und -ketten.** Falsche Ersatzschiene und -ketten können Kettenbruch und/oder Rückschlag verursachen.
- **Halten Sie sich an die Anweisungen des Herstellers für das Schärfen und die Wartung der Sägekette.** Eine Verringerung der Höhe der Tiefenbegrenzer kann zu verstärktem Rückschlag führen.

ZUSÄTZLICHE SICHERHEITSWARNUNGEN FÜR KETTENSÄGEN

- Es wird empfohlen, Baumstämme auf einem Sägebock zu sägen, wenn Sie das Produkt zum ersten Mal benutzen.
- Stellen Sie sicher, dass alle Schutzabdeckungen, Griffe und Krallenanschlag ordnungsgemäß befestigt und in gutem Zustand sind.
- Personen, die das Produkt benutzen, sollten bei guter Gesundheit sein. Das Produkt ist ein schweres Gerät, deshalb sollte der Benutzer körperlich fit sein. Der Benutzer sollte aufmerksam sein, und gutes Sehvermögen, Beweglichkeit, Balance und Handfertigkeit besitzen. Wenn irgendwelche Zweifel bestehen, benutzen Sie das Produkt nicht.
- Fangen Sie nicht an das Produkt zu benutzen, bevor Sie über einen sauberen Arbeitsplatz, sicheren Stand und einen geplanten Rückzugsweg weg von dem fallenden Baum verfügen.
- Nehmen Sie sich vor Abgasen, Schmieröldunst und Sägespänen in Acht. Tragen Sie, wenn nötig, eine Maske oder Atemgerät.
- Wenn das Netzkabel beschädigt ist, lassen Sie das Gerät nur von einem autorisierten Servicecenter warten.
- Halten Sie das Netzkabel immer ordentlich und fern von dem Sägebereich. Außer der Gefahr von Stromschlag, können unordentliche Kabel eine Stolpergefahr darstellen.
- Sägen Sie keine Rebstöcke und/oder kurzes Buschwerk(weniger als 75 mm Durchmesser).
- Halten Sie die Kettensäge beim Betrieb immer mit beiden Händen. Die Griffe der Kettensäge mit den Daumen auf einer Seite und den Fingern auf der anderen Seite gut festhalten. Die rechte Hand muss an dem hinteren Griff sein und die linke Hand an dem vorderen Griff.
- Achten Sie vor dem Starten des Produkts darauf, dass keine Gegenstände die Sägekette berühren.
- Verändern Sie Ihr Produkt nicht auf irgendeine Weise, oder verwenden es, um Anbauteile oder Geräte die nicht vom Hersteller Ihres Produktes empfohlen sind anzutreiben.
- Ein Verbandskasten mit Verbandsmaterial für große Wunden und einem Mittel, um Hilfe zu rufen (z.B. Pfeife) sollten bei dem Benutzers sein. Ein größerer, umfangreicherer Verbandskasten sollte in der Nähe ein.
- Tragen Sie immer vollen Gehörschutz, wenn Sie das Produkt benutzen. Ein Helm der mit einem Netzvisier ausgestattet ist, kann beim Rückschlag das Risiko von

EN
FR
DE
ES
IT
NL
PT
DA
SV
FI
NO
RU
PL
CS
HU
RO
LV
LT
ET
HR
SL
SK
BG
UK
TR



Verletzungen im Gesicht und im Kopf reduzieren.

- Eine falsch gespannte Kette kann von der Führungsschiene springen und zu schweren Verletzungen oder Tod führen. Die Länge der Kette ist von der Temperatur abhängig. Überprüfen Sie die Kettenspannung regelmäßig.
- Sie sollten sich mit Ihrer neuen Kettensäge vertraut machen, indem Sie einfache Schnitte in sicher abgestütztem Holz machen. Machen Sie dass immer dann, wenn Sie die Kettensäge längere Zeit nicht benutzt haben.
- Um das mit dem Berühren von beweglichen Teilen einhergehende Verletzungsrisiko zu verringern, stoppen Sie den Motor, verwenden Sie die Kettenbremse und ziehen Sie den Stecker aus der Steckdose. Stellen Sie sicher, dass alle bewegenden Teile vollständig angehalten sind:
 - bevor Sie das Produkt unbeaufsichtigt zurücklassen
 - vor dem Reinigen oder Entfernen einer Blockierung
 - vor dem Montieren oder Entfernen von Anbauteilen.
 - bevor Sie das Produkt prüfen, warten oder daran arbeiten
- Die Größe des Arbeitsbereichs hängt von der durchgeführten Aufgabe, der Größe des Baums oder des Arbeitsstücks ab. Zum Beispiel, fällen eines Baumes erfordert einen größeren Arbeitsplatz als andere Sägearbeiten wie Ablängen usw. Der Benutzer muss aufmerksam sein und alles in seinem Arbeitsbereich unter Kontrolle haben.
- Sägen Sie nicht mit Ihrem Körper in einer Linie mit Führungsschiene und Kette. Wenn Sie einen Rückschlag erleben, verringert dies die Wahrscheinlichkeit, dass die Kette Ihren Kopf oder Körper trifft.
- Benutzen Sie keine hin und her Sägebewegung, lassen Sie die Kette die Arbeit machen, halten Sie die Kette scharf und versuchen Sie nicht die Kette durch den Schnitt zu drücken.
- Am Ende des Schnitts keinen Druck auf die Säge ausüben. Seien Sie bereit die Säge zu entlasten, wenn sie das Holz durchgesägt hat. Nichtbeachtung kann zu schweren Verletzungen führen.
- Stoppen Sie die Säge nicht während des Sägevorgangs. Lassen Sie die Säge laufen, bis sie den Sägeschnitt beendet hat.

Benutzen Sie eine persönliche Schutzausrüstung.

Persönliche Schutzausrüstung guter Qualität, wie sie von Profis benutzt wird, hilft die Gefahr von Verletzungen des Benutzers zu verringern. Die folgenden Artikel müssen beim Einsatz Ihrer Säge benutzt werden.

Sicherheitshelm

- sollte EN 397 erfüllen und CE gekennzeichnet sein.

Gehörschutz

- sollte EN 352-1 erfüllen und CE gekennzeichnet sein.

Augen- und Gesichtsschutz

- sollte CE gekennzeichnet sein und EN 166 erfüllen (für Sicherheitsbrillen) oder EN 1731 (für Gittervisiere)

Handschuhe

- sollte EN 381-7 erfüllen und CE gekennzeichnet sein.

Beinschutz (Beinschützer)

- sollten EN381-5 erfüllen, CE gekennzeichnet sein und Rundumschutz bieten.

Kettensäge Sicherheitsschuhe

- sollten EN ISO 20345:2004 erfüllen und mit der Abbildung einer Kettensäge gekennzeichnet sein, um darzustellen, dass EN 381-3 erfüllt wird. (Gelegentliche Benutzer können Sicherheitsschuhe mit Stahl-Vorderkappen und Schutzgamaschen die EN 381-9 erfüllen benutzen, wenn der Boden eben ist und geringe Gefahr von Stolpern oder von Verfangen im Buschwerk besteht)

Kettensägenjacken zum Schutz des Oberkörpers

- sollte EN 381-11 erfüllen und CE gekennzeichnet sein.

ANWEISUNGEN ÜBER DIE RICHTIGE TECHNIK ZUM FÄLLEN, ENTASTEN UND QUERSÄGEN.

Verstehen Sie die Kräfte in dem Holz

Wenn Sie die gerichteten Drücke und Spannungen in dem Holz verstehen, können Sie die "Klemmungen" verringern oder mindestens beim Sägen darauf vorbereitet sein. Spannung im Holz bedeutet, dass die Fasern auseinander gezogen werden, und wenn Sie in diesem Bereich sägen, wird die "Kerbe" oder der Schnitt sich öffnen, während Sie sägen. Wenn ein Baumstamm auf einem Holzbock liegt und ein Ende nicht gestützt wird, dann entsteht Spannung an der Oberseite, weil das Gewicht des überhängenden Baumstamms die Fasern dehnt. Ähnlich wird die Unterseite des Baumstamms gestaucht und die Fasern zusammengedrückt. Wenn ein Schnitt in diesem Bereich gemacht wird, wird die Kerbe dazu tendieren sich beim Sägen zu schließen. Das würde die Schiene einklemmen.

Fällen eines Baumes

Siehe Seiten 273 - 274.

Wenn Abläng- und Fällvorgänge gleichzeitig von zwei oder mehr Personen durchgeführt werden, muß der Fällvorgang durch einen Abstand von mindestens der doppelten Höhe des zu fallenden Baums von dem Ablängvorgang getrennt werden. Bäume dürfen nicht auf eine Weise gefällt werden, die eine Gefahr für Personen darstellt, zu einer Berührung mit einer Versorgungsleitung führt oder Sachschaden verursacht. Falls der Baum in Kontakt mit einer Versorgungsleitung geraten sollte, muss unverzüglich das Versorgungsunternehmen verständigt werden.

Der Bediener der Kettensäge sollte sich immer bergaufwärts des Baums befinden, da dieser nach dem Fällen wahrscheinlich bergabwärts rollen oder rutschen wird.

Es sollte eine Fluchtroute eingeplant und, sofern erforderlich, vor Beginn der Fällarbeiten freigeräumt werden. Die Fluchtroute sollte hinter der erwarteten Falllinie diagonal nach hinten führen.

Berücksichtigen Sie, bevor Sie mit dem Fällen beginnen, die natürliche Neigung des Baums, die Lage größerer Äste und die Windrichtung, um einschätzen zu können in welche

Richtung der Baum fallen wird.

Entfernen sie Schmutz, Steine, lose Rinde, Nägel, Klammern und Draht vom bzw. aus dem Baum.

Do not attempt to fell trees which are rotten or have been damaged by wind, fire, lightning, etc. This is extremely dangerous and should only be completed by professional tree surgeons.

- **Kerbschnitt setzen**

Siehe Seiten 273 - 274.

Sägen Sie im rechten Winkel zur Fallrichtung eine Kerbe mit einer Tiefe von 1/3 des Baumdurchmessers. Zuerst den unteren waagrechten Kerbschnitt durchführen. Dadurch wird das Einklemmen der Sägekette oder der Führungsschiene beim Setzen des zweiten Kerbschnitts vermieden.

- **Fällschnitt**

Siehe Seiten 273 - 274.

Führen Sie den Fällschnitt mindestens 50 mm höher als den waagerechten Kerbschnitts aus. Führen Sie den Fällschnitt parallel zum waagerechten Kerbschnitt aus. Führen Sie den Fällschnitt so aus, dass genügend Holz stehen bleibt, um als Bruchleiste zu dienen. Die Bruchleiste hindert den Baum daran, sich zu verdrehen und in die falsche Richtung zu fallen. Schneiden sie nicht durch die Bruchleiste!

Wenn der Fällschnitt sich der Bruchleiste nähert, sollte der Baum zu fallen beginnen. Sollte die Gefahr bestehen, dass der Baum nicht in die gewünschte Richtung fällt, oder zurückschwankt und die Sägekette einklemmt, hören Sie mit dem Schneiden auf, bevor der Fällschnitt vollständig ausgeführt ist, und verwenden Sie Holz-, Plastik- oder Aluminiumkeile, um den Schnitt zu erweitern und den Baum in der gewünschten Fallrichtung fallen zu lassen.

Ziehen Sie, sobald der Baum zu fallen beginnt, die Kettensäge aus dem Schnitt, schalten Sie den Motor aus, setzen sie die Kettensäge ab und folgen Sie dann dem geplanten Rückzugspfad. Achten Sie auf fallende hoch liegende Äste und einen sicheren Halt.

WURZELANSÄTZE ENTFERNEN

Siehe Seite 274.

Ein Wurzelansatz ist eine große Wurzel, die über dem Erdbereich aus dem Stamm des Baums vorsteht. Große Wurzelansätze müssen vor dem Fällen entfernt werden. Den Wurzelansatz erst horizontal und danach vertikal anschneiden. Das lose Wurzelstück aus dem Arbeitsbereich entfernen. Das korrekte Vorgehen zum Fällen des Baums einhalten, nachdem die großen Wurzelansätze entfernt wurden.

Drücken und ziehen

Die Reaktionskraft wirkt immer in die entgegengesetzte Richtung der Kettenaufrichtung. Der Benutzer sollte darauf eingestellt sein, die Vorwärtsbewegung des Produkts zu kontrollieren, wenn beim Schneiden die untere Kante des Schwerts verwendet wird. Hierzu immer den Krallenanschlag gegen das Holz drücken um der Vorwärtsbewegung entgegen zu wirken. Beim Schneiden über die obere Kante kann das Produkt rückwärts (auf den Benutzer zu) gedrückt werden. Um dies zu vermeiden,

vergewissern Sie sich stets, dass die Kette nicht verklemmt ist, wenn Sie an der oberen Kante schneiden.

Säge in dem Sägespalt verklemmt

Stoppen Sie die Kettensäge und sichern Sie die Säge. Versuchen Sie nicht, die Kette und Führungsschiene mit Gewalt aus dem Sägespalt zu entfernen, weil dadurch die Kette zurückschnellen, und den Benutzer verletzen kann. Diese Situation entsteht meistens, weil das Holz falsch abgestützt wird und der Sägespalt zugedrückt wird und die Schiene einklemmt. Wenn die Verstellung der Stütze die Schiene und Kette nicht löst, benutzen Sie Holzkeile oder einen Hebel, um den Schnitt zu öffnen und die Säge zu lösen. Versuche Sie niemals die Kettensäge zu starten, wenn die Führungsschiene bereits in einem Schnitt oder einer Kerbe ist.

Rutschen / Springen

Wenn die Kettensäge sich während eines Schneidvorgangs nicht vertieft, kann die Führungsschiene auf der Oberfläche des Stammes oder Zweiges gefährlich anfangen zu springen oder zu rutschen, was möglicherweise zu einem Kontrollverlust über die Kettensäge führt. Um ein Rutschen oder Springen zu verhindern oder zu reduzieren, halten Sie die Säge immer mit beiden Händen. Stellen Sie sicher, dass die Sägekette eine Nut zum Schneiden herstellt.

Schneiden Sie niemals kleine, flexible Zweige oder Gestrüpp mit der Kettensäge. Aufgrund der Größe und Biegsamkeit kann es leicht passieren, dass die Säge zu Ihnen ausschlägt, oder sich mit so viel Kraft verklemmt, dass ein Rückschlag verursacht wird. Die besten Werkzeuge für diese Art von Arbeiten sind Handsägen, Baumscheren und andere Handwerkzeuge.

Einen Baumstamm ablängen

Siehe Seite 275.

Ablängen ist das Schneiden eines Baumstamms in Stücke. Es ist wichtig, dass Sie einen festen Stand haben und ihr Gewicht gleichmäßig auf beide Füße verteilt ist. Sofern möglich, sollte der Stamm erhöht liegen und durch Äste, Stämme oder Holzkeile gestützt werden. Befolgen Sie die folgenden Anweisungen, um sich das Schneiden zu erleichtern: Wenn der Stamm über die gesamte Länge gestützt wird, wird er von oben geschnitten (Oberschnitt).

Wenn der Stamm an einem Ende gestützt wird, schneiden Sie durch ein Drittel des Durchmessers von der Unterseite (Unterschnitt). Führen Sie dann den abschließenden Schnitt als Oberschnitt aus, der auf den ersten Schnitt trifft.

Wenn der Stamm an beiden Enden gestützt wird, schneiden Sie durch ein Drittel des Durchmessers von der Oberseite (Oberschnitt). Führen Sie dann den abschließenden Schnitt als Unterschnitt über die unteren 2/3 aus, der auf den ersten Schnitt trifft.

Stehen Sie beim Ablängen in Hanglage immer auf der vom Stamm aus höher gelegenen Seite. Um beim Abschluss des Schnitts vollkommen die Kontrolle zu behalten, verringern Sie den Schnittdruck gegen Ende des Schnitts ohne Ihren festen Griff um die Griffe der Kettensäge zu lösen. Lassen Sie die Kette nicht in Kontakt mit dem Boden geraten. Warten Sie nach Beendigung des Schnitts bis die Sägekette angehalten hat bevor sie die Kettensäge bewegen. Schalten Sie immer den Motor aus, bevor Sie

EN

FR

DE

ES

IT

NL

PT

DA

SV

FI

NO

RU

PL

CS

HU

RO

LT

LV

ET

HR

SL

SK

BG

UK

TR

sich von Baum zu Baum bewegen.

Entasten eines Baumes

Siehe Seite 276.

Entasten ist das Entfernen von Ästen von einem gefällten Baum. Belassen Sie beim Entasten größere unten liegende Äste als Stützen, um den Baum über dem Boden zu halten. Entfernen Sie kleinere Äste in einem Schnitt. Äste, die unter Spannung stehen, sollten von unten nach oben geschnitten werden, um ein Einklemmen der Kettensäge zu vermeiden.

Gespanntes Holz

Siehe Seite 276.

Gespanntes Holz ist ein Stamm, Ast, verwurzelter Stumpf oder Schößling, der von anderem Holz unter Spannung gebogen wird und zurückschnellt, wenn das andere Holz geschnitten oder entfernt wird.

Bei einem gefällten Baum ist es sehr wahrscheinlich, dass ein verwurzelter Stumpf wieder in seine aufrechte Stellung zurückschnellt, wenn der Stamm beim Ablängen vom Stumpf getrennt wird. Auf gespanntes Holz achten, da dies sehr gefährlich ist. Versuchen Sie nicht gebogene Äste oder Stümpfe die unter Spannung stehen zu sägen, außer Sie sind professionell ausgebildet und fähig das zu machen.

⚠️ WARNUNG

Gespanntes Holz ist gefährlich und kann die Bedienperson treffen und zum Verlust der Kontrolle über die Kettensäge führen. Das kann zu schweren oder tödlichen Verletzungen der Bedienperson führen. Das sollte von geschulten Benutzern durchgeführt werden.

TRANSPORT UND LAGERUNG

Siehe Seiten 281 - 284.

- Halten Sie das Gerät an und unterbrechen Sie die Stromzufuhr. Lassen Sie das Produkt ausreichend abkühlen, bevor Sie es lagern oder transportieren.
- Entfernen Sie alle Fremdkörper vom Produkt. Lagern Sie das Gerät an einem trockenen und gut belüfteten Ort, der Kindern keinen Zugang bietet. Die Säge von korrodierend wirkenden Stoffen, wie Gartenchemikalien und Euteisungssalzen, fernhalten. Nicht im Freien lagern.
- Setzen Sie immer die Abdeckung der Führungsschiene auf, bevor Sie das Produkt einlagern oder während des Transports.
- Sichern Sie die Maschine beim Transport gegen Bewegung oder Herunterfallen, um Verletzungen und Beschädigung der Maschine zu verhindern.

WARTUNG UND PFLEGE

Halten Sie das Produkt immer in gutem Zustand.

⚠️ WARNUNG

Verwenden Sie ausschließlich original Ersatzteile, Zubehör und Aufsätze des Herstellers. Nichtbefolgung kann mögliche Verletzungen oder schlechte Leistung verursachen und Ihre Garantie ungültig machen.

⚠️ WARNUNG

Service und Wartung des Gerätes erfordert besondere Sorgfalt und Kenntnisstand und darf nur durch qualifiziertes Personal durchgeführt werden. Lassen Sie das Gerät nur von einem autorisierten Servicecenter warten. Beim Service sollten Sie nur originale Ersatzteile benutzen.

⚠️ WARNUNG

Ziehen Sie den Stecker aus der Steckdose, bevor Sie das Produkt reinigen, Einstellungen verändern oder es warten. Nichtbeachtung dieser Warnung kann zu schweren Verletzungen führen.

- Sie dürfen die in dieser Bedienungsanleitung beschriebenen Einstellungen und Reparaturen durchführen. Wenden Sie sich zwecks anderer Reparaturen nur an ein autorisiertes Servicecenter.
- Folgen der unsachgemäßen Wartung, Demontage oder Veränderung von Sicherheitsvorrichtungen wie Kettenbremse, Handschutz (vorne und hinten), Krallenanschlag, Kettenfänger, Führungsschiene, rückschlagarme Sägekette können dazu führen, dass die Sicherheitsfunktionen nicht korrekt funktionieren, wodurch das Risiko für schwere Verletzungen erhöht wird. Sorgen Sie dafür, dass das Produkt professionell gewartet und sicher ist.
- Das Schärfen der Kette ist eine anspruchsvolle Aufgabe. Deshalb empfiehlt der Hersteller, dass eine abgenutzte oder stumpfe Kette mit einer neuen ersetzt wird, erhältlich bei ihrem Kundendienst. Die Teilenummer ist in der Tabelle der Produktspezifikation in dieser Bedienungsanleitung aufgeführt.
- Befolgen Sie die Anweisungen zur Schmierung der Kette und Kettenspannung und -einstellung.
- Reinigen Sie das Produkt nach jeder Benutzung mit einem weichen, trockenen Lappen.
- Überprüfen Sie Bolzen, Muttern und Schrauben immer wieder ob alles fest angezogen ist so dass das Produkt in einem sicheren Zustand ist. Jedes beschädigte Teil muß durch den autorisierten Kundendienst ordnungsgemäß repariert oder ausgetauscht werden.

RESTRISIKEN

Sogar wenn das Produkt wie vorgeschrieben benutzt wird, ist es unmöglich ein gewisses Restrisiko vollständig zu beseitigen. The following hazards may arise during use, and the operator should pay special attention to avoid the following:

- Durch Vibrationen verursachte Verletzungen.
 - Verwenden Sie für jede Arbeit das immer richtige

Werkzeug. Benutzen Sie die vorgesehenen Griffe. Schränken die Arbeitszeit und Exposition ein.

- Lärm kann zu Gehörschäden führen.
 - Tragen Sie einen Gehörschutz und schränken Sie die Belastung ein.
- Kontakt mit den vorstehenden Sägezähnen der Kette (Gefahren beim Schneiden).
- Unvorhergesehene, abrupte Bewegungen oder Rückschlag der Führungsschiene (Schnittgefahr).
- Teile die von der Sägekette wegfliegen (Schnittgefahr/ Gefahr wegspritzender Teile).
- Geschleuderte Werkstücke (Holzspäne, Splitter).
- Einatmen von Staub und Teilchen.
- Hautkontakt mit Öl.

RISIKOVERRINGERUNG

Vibrationen von in der Hand gehaltenen Werkzeugen können bei einigen Personen zu einem Zustand, der Raynaud-Syndrom genannt wird, führen. Symptome sind u.a. Kribbeln, Taubheitsgefühl und episodische Weißfärbung der Finger und treten normalerweise bei Kälte auf. Man geht davon aus, dass ererbte Faktoren, Kälte und Feuchtigkeit, Essgewohnheiten, Rauchen und Arbeitsweise zur Entwicklung dieser Symptome beitragen. Der Anwender kann Maßnahmen ergreifen, um die Auswirkungen der Vibrationen möglicherweise zu verringern:

- Halten Sie den Körper bei Kälte warm. Tragen Sie beim Betrieb des Gerätes Handschuhe, um Hände und Handgelenke warm zu halten. Berichten zu Folge ist kaltes Wetter ein wesentlicher Faktor, der zum Raynaud Syndrom beiträgt.
- Betätigen Sie sich nach jedem Einsatz körperlich, um den Blutkreislauf zu steigern.
- Machen Sie regelmäßig Pausen. Beschränken Sie die Beanspruchung pro Tag.
- Schutzhandschuhe die von professionellen Kettensägenhändlern erhältlich sind, sind speziell zur Benutzung mit Kettensägen entwickelt und bieten Schutz, sicheren Griff und reduzieren auch den Effekt des vibrierenden Griffs.

Sollten bei Ihnen Symptome dieses Zustands auftreten, stellen Sie unverzüglich den Betrieb ein und suchen Sie in Hinsicht auf die Symptome einen Arzt auf.

⚠ WARNUNG

Verletzungen können durch lange Benutzung eines Werkzeugs entstehen oder verschlimmert werden. Machen Sie regelmäßig Pause, wenn Sie ein Werkzeug für lange Zeit benutzen.

MACHEN SIE SICH MIT IHREM PRODUKT VERTRAUT

Siehe Seite 267.

1. Kette
2. Führungsschiene

3. Vorderer Handschutz/Kettenbremse
4. Vorderer Haltegriff
5. Gashebelsperre
6. Hinterer Haltegriff
7. Krallenanschlag
8. Kettenöltank-Deckel
9. Kabelhalter
10. Auslöserschalter
11. Kettenritzelabdeckung
12. Kettenspannung / Verriegelungsknopf der Führungsschiene
13. Abdeckung Führungsschiene
14. Kettenfänger

SCHUTZVORRICHTUNGEN

SÄGEKETTE MIT GERINGEM RÜCKSCHLAG

Eine Sägekette mit geringer Rückschlaggefahr kann die Wahrscheinlichkeit eines Rückschlags reduzieren.

Die Räumzähne (Tiefenbegrenzer) vor jedem Sägezahn können die Stärke der Rückschlagreaktion gering halten, indem sie verhindern, dass die Sägezähne zu tief eingreifen. Verwenden Sie ausschließlich die durch den Hersteller empfohlenen Kombinationen von Ersatzschiene und -ketten.

Beim Schleifen von Sägeketten verlieren diese etwas an den Qualitäten, die den Rückschlag gering halten, und es ist daher besondere Vorsicht geboten. Zu Ihrer eigenen Sicherheit, ersetzen Sie Sägeketten, wenn die Sägeleistung schwindet.

Krallenanschlag

Der integrierte Krallenanschlag kann als Drehpunkt verwendet werden, wenn ein Schnitt durchzuführen ist. Es ist hilfreich, beim Sägen das Gehäuse der Säge stabil zu halten. Drücken Sie beim Sägen die Maschine nach vorne, bis die Metalldorne in die Holzkannte dringen, wenn Sie dann den hinteren Griff nach oben oder unten in Richtung des Schnitts heben, kann die physische Belastung des Sägens verringert werden.

FÜHRUNGSSCHIENEN

Allgemein gilt, Führungsschienen mit Spitzen mit kleinerem Radius haben ein etwas geringeres Potential für Rückschläge. Sie sollten eine Führungsschiene mit passender Kette benutzen, die gerade lange genug für die Aufgabe ist. Längere Führungsschienen erhöhen die Gefahr eines Kontrollverlustes beim Sägen. Überprüfen Sie die Kettenspannung regelmäßig. Beim Sägen kleinerer Äste (dünner als die volle Länge der Führungsschiene), ist die Gefahr, dass die Kette abgeworfen wird, wenn die Spannung nicht richtig ist, größer.

KETTENBREMSE

Kettenbremsen sind dazu vorgesehen, die Kette schnell zum Stillstand zu bringen. Wenn der Kettenbremshebel/ Handschutz in Richtung Schiene gedrückt wird, muss die Kette sofort stoppen. Eine Kettenbremse kann Rückschlag nicht verhindern. Es verringert nur das Risiko, wenn die Führungsschiene den Körper des Benutzers bei einem Rückschlag trifft. Der ordnungsgemäße Betrieb der Kettenbremse muß vor jeder Benutzung getestet werden,

in der Betriebs- und Bremsposition

Kettenfänger

Ein Kettenfänger verhindert, dass die Kette in Richtung Benutzer geschleudert wird, wenn die Kette sich lockert oder reißt.

MONTAGE

⚠ WARNUNG

Falls Teile fehlen oder beschädigt, sind sollte das Gerät nicht in Betrieb genommen werden, bevor alles korrekt ersetzt wurde. Die Nichtbeachtung dieser Warnung kann zu schweren Personenschäden führen.

MONTAGE DER KETTE UND FÜHRUNGSSCHIENE

Siehe Seiten 268 - 269.

1. Trennen Sie das Produkt vom Stromnetz. Tragen Sie Schutzhandschuhe.
2. Lockern Sie den Verriegelungsknopf der Führungsschiene und entfernen die Kettenritzelabdeckung.
3. Die Sägekette muß in Richtung der Kettenrotation ausgerichtet sein. Wenn sie rückwärts zeigt, die Schleife umdrehen.
4. Setzen Sie die Kettenglieder in die Schienennut.
5. Die Kette so platzieren, dass sich an der Rückseite der Schiene eine Schleife bildet.
6. Halten Sie die Kette in Position auf der Schiene und führen die Schlaufe um den Zahnkranz. Senken Sie die Schiene, so dass die Schraube durch das Loch in der angebrachten Kettenspannvorrichtung gesteckt werden kann.
7. Ersetzen Sie die Abdeckung des Kettenrads und ziehen Sie dann den Sperrknopf für die Kettenspannung/die Führungsleiste an, indem Sie ihn im Uhrzeigersinn drehen, bis er einrastet. Prüfen Sie die Kettenspannung häufig.

Die Kettenspannung ist richtig eingestellt, wenn der Abstand zwischen den Zähnen der Kette und der Schiene 3 mm bis 4 mm beträgt. Ziehen Sie die Kette an der unteren Seite der Schiene in der Mitte nach unten (von der Schiene weg) und messen dann den Abstand zwischen der Schiene und den Zähnen der Kette.

8. Ziehen Sie den Sperrknopf für Kettenspannung/Führungsleiste an und sperren Sie ihn, indem Sie ihn im Uhrzeigersinn drehen.

KETTENSPIGUNG EINSTELLEN

Siehe Seite 279.

1. Trennen Sie das Produkt vom Stromnetz. Tragen Sie Schutzhandschuhe.
2. Um die Kettenspannung zu korrigieren, lösen Sie den Sperrknopf für Kettenspannung/Führungsleiste vollständig und ziehen Sie dann den Sperrknopf für die Kettenspannung/die Führungsleiste an, indem Sie ihn im Uhrzeigersinn drehen, bis er einrastet. Prüfen Sie die Kettenspannung häufig.

Die Kettenspannung ist richtig eingestellt, wenn der Abstand zwischen den Zähnen der Kette und der Schiene 3 mm bis 4 mm beträgt. Ziehen Sie die Kette an der unteren Seite der Schiene in der Mitte nach unten (von der Schiene weg) und messen dann den Abstand zwischen der Schiene und den Zähnen der Kette.

3. Ziehen Sie den Sperrknopf für Kettenspannung/Führungsleiste an und sperren Sie ihn, indem Sie ihn im Uhrzeigersinn drehen.

HINWEIS: Stellen Sie sicher, dass sich die Spannbaugruppe aus Führungsschiene und Kette frei und ohne Verschmutzung bewegt und dass die Sägekette korrekt um das Kettenrad gelegt ist. Wenn die Kettenspannung zu hoch oder zu niedrig ist, nachdem der Verriegelungsknopf für die Kettenspannung/die Führungsschiene angezogen wurde, prüfen Sie, ob Baugruppe sauber ist und korrekt montiert wurde.

Bei Bedarf entfernen Sie die Abdeckung des Kettenrads und die Führungsschiene zum Reinigen und montieren Sie die Teile danach erneut.

BETRIEB

FÜGEN SIE KETTENÖL HINZU.

Siehe Seite 269.

⚠ WARNUNG

Arbeiten Sie niemals ohne Kettenschmierung. Wenn die Säge ohne Schmierung läuft, können die Führungsschiene und die Sägekette beschädigt werden. Es ist deshalb unerlässlich, den Ölstand an der Füllstandsanzeige regelmäßig zu kontrollieren und jedes Mal, bevor Sie mit der Arbeit mit der Kettensäge beginnen.

1. Reinigen Sie die Oberfläche um den Tankdeckel um Verunreinigung zu verhindern.
2. Schrauben Sie den Deckel auf und nehmen Sie ihn vom Öltank.
3. Füllen Sie das Öl in den Öltank und beobachten Sie dabei den Ölstand. Achten Sie darauf, dass kein Schmutz in den Öltank gerät während Sie das Öl einfüllen.
4. Setzen Sie den Deckel wieder auf und drehen Sie ihn fest. Wischen Sie verschüttetes Öl ab.
5. Ein gefüllter Öltank ermöglicht Ihnen die Verwendung der Säge für 12 - 18min.

HALTEN DER KETTENSÄGE

Siehe Seite 269.

Halten Sie das Gerät immer mit der rechten Hand am hinteren Griff und mit der linken Hand am vorderen Griff. Halten Sie beide Griffe fest wobei Daumen und Finger die Griffe der Kettensäge umschließen. Achten Sie darauf, dass ihre linke Hand den vorderen Griff so hält, dass ihr Daumen sich unter ihm befindet.

⚠️ WARNUNG

Halten Sie das Netzkabel immer ordentlich und fern von dem Sägebereich. Außer der Gefahr von Stromschlag, können unordentliche Kabel eine Stolpergefahr darstellen.

STARTEN DER KETTENSÄGE

Siehe Seite 269.

1. Schließen Sie das Gerät an die Stromversorgung an. Stellen Sie sicher, dass die Kettenbremse sich in der Betriebsposition befindet, indem Sie an dem Hebel/ Handschutz ziehen.
2. Um das Produkt zu starten: Drücken Sie die Auslöserfreigabe und drücken Sie dann den Ein/Aus-Schalter.

ÜBERPRÜFUNG UND BETRIEB DER KETTENBREMSE

1. Betätigen Sie die Kettenbremse, indem Sie die linke Hand um den vorderen Griff drehen. Drücken Sie den Kettenbremshebel/Handschutz mit Ihrem Handrücken in Richtung Führungsschiene während die Kette sich schnell bewegt. Die Drehbewegung der Kette sollte sofort unterbrochen werden. Stellen Sie sicher, dass sich beide Hände immer an den Griffen befinden.
2. Stellen Sie die Kettenbremse zurück auf die Betriebsposition, indem Sie die Oberseite des Hebels der Kettenbremse/Handschutzes greifen und in Richtung Griff ziehen bis Sie ein Klickgeräusch hören.

⚠️ WARNUNG

Wenn die Kettenbremse die Kette nicht sofort anhält oder wenn die Kettenbremse nicht ohne Unterstützung in der „Run“-Position bleibt, bringen Sie das Gerät vor der Verwendung zu einem autorisierten Servicecenter.

ERSETZEN DER FÜHRUNGSSCHIENE UND DER SÄGEKETTE

Siehe Seiten 277 - 278.

1. Trennen Sie das Produkt vom Stromnetz. Tragen Sie Schutzhandschuhe.
2. Lösen Sie den Sperrknäuf für Kettenspannung/ Führungsleiste, indem Sie ihn gegen den Uhrzeigersinn drehen, bis sich die Abdeckung des Kettenrads löst.
3. Nehmen Sie die Zahnkranzabdeckung ab. Entfernen Sie Schiene und Sägekette von dem Werkzeug.
4. Entfernen Sie die Schraube, die die Führungsleiste mit der Kettenspannungsbaugruppe verbindet. Entsorgen Sie die gebrauchte Leiste und die Sägekette korrekt.
5. Montieren Sie die Kettenspannvorrichtung an die neue Führungsschiene und ziehen die Schrauben fest. Führen Sie die neue Kette in der richtigen Richtung auf die Schiene und vergewissern sich, dass die Kettenglieder mit der Schienennut ausgerichtet sind.
6. Befestigen Sie die Schiene an der Kettensäge und führen die Kette um den Zahnkranz. Setzen Sie die Kettenritzelabdeckung wieder auf.
7. Ziehen Sie den Sperrknäuf für Kettenspannung/ Führungsleiste an und sperren Sie ihn, indem Sie ihn im Uhrzeigersinn drehen.

Die Kettenspannung ist richtig eingestellt, wenn der Abstand zwischen den Zähnen der Kette und der Schiene 3 mm bis 4 mm beträgt. Ziehen Sie die Kette an der unteren Seite der Schiene in der Mitte nach unten (von der Schiene weg) und messen dann den Abstand zwischen der Schiene und den Zähnen der Kette.

Stellen Sie die Kettenspannung ein. Lesen Sie den Abschnitt "Einstellen der Kettenspannung".

⚠️ WARNUNG

Falsches Schleifen der Kette erhöht das Rückschlagpotenzial.

⚠️ WARNUNG

Wenn eine beschädigte Kette nicht ersetzt oder repariert wird, kann es zu schweren Verletzungen kommen.

⚠️ WARNUNG

Die Sägekette ist extrem scharf. Bei Wartungsarbeiten an der Kette immer Schutzhandschuhe tragen.

ÜBERPRÜFEN UND REINIGEN DER KETTENBREMSE

Siehe Seite 280.

- Halten Sie den Kettenbremsmechanismus immer sauber, indem Sie das Bremsband vorsichtig abbürsten.
- Testen Sie nach der Reinigung immer die Funktionsfähigkeit der Kettenbremse. Weitere Informationen finden Sie im Abschnitt "Betrieb - Prüfen und Betrieb der Kettenbremse" in dieser Betriebsanleitung.

WARTUNGSPLAN

| Tägliche Kontrollen | |
|-------------------------------------|------------------------------------|
| Netzkabel auf Beschädigungen prüfen | Vor jeder Verwendung |
| Schmierung Schiene | Vor jeder Verwendung |
| Kettenspannung | Vor jeder Benutzung und regelmäßig |
| Kettenschärfe | Vor jeder Benutzung, Sichtprüfung |
| Beschädigte Teile | Vor jeder Verwendung |
| Lose Befestigungsteile | Vor jeder Verwendung |
| Kettenbremse-Funktion | Vor jeder Verwendung |
| Inspizieren und Reinigen | |
| Führungsschiene | Vor jeder Verwendung |
| Komplette Säge | Nach jeder Verwendung |
| KETTENBREMSE | Alle 5 Stunden* |

*Betriebsstunden

SYMBOLS AUF DEM PRODUKT



Sicherheitswarnung



Um das Risiko von Verletzungen zu minimieren, muss der Benutzer die Bedienungsanleitung lesen und verstehen bevor er dieses Produkt benutzt.



Tragen Sie Augen, Gehör und Kopfschutz.



Tragen Sie rutschfeste Sicherheitsschuhe, wenn Sie dieses Produkt benutzen.



Tragen Sie rutschfeste, strapazierfähige Handschuhe.



Trennen Sie vor Wartungsarbeiten den Stecker sofort vom Stromnetz, oder falls das Kabel beschädigt oder geschnitten ist.



Achten Sie auf Rückschlag der Kettensäge und vermeiden Sie den Kontakt mit der Schienenspitze.



Nicht Regen oder feuchten Bedingungen aussetzen.



Halten Sie Ihre Kettensäge bei der Arbeit mit beiden Händen.



Verwenden Sie Ihre Kettensäge niemals, in dem Sie sie nur mit einer Hand halten.



Dieses Gerät entspricht allen gesetzlichen Normen des Landes der europäischen Union, in dem es gekauft wurde.



EurAsian Konformitätszeichen



Klasse II Werkzeug, Doppelisolierung



Ukrainisches Prüfzeichen



Elektrische Geräte sollten nicht mit dem übrigen Müll entsorgt werden. Bitte entsorgen Sie diese an den entsprechenden Entsorgungsstellen. Wenden Sie sich an die örtliche Behörde oder Ihren Händler, um Auskunft über die Entsorgung zu erhalten.



Der garantierte Schallleistungspegel beträgt 104 dB (RCS1935B)



Der garantierte Schallleistungspegel beträgt 105 dB (RCS2340B)



Schmierung für Schiene und Kette



KETTENBREMSE

Zum Sperren oder Lösen der Führungsleiste drehen



Schließen



Öffnen



Drehrichtung der Kette (Markierung unter der Zahnkranzabdeckung)

SYMBOLS IN DIESER BEDIENUNGSANLEITUNG



Anschließen an das Stromnetz



Trennen vom Stromnetz



Teile oder Zubehör getrennt erhältlich



HINWEIS



WARNUNG



Augen- und Gesichtsschutz



Tragen Sie einen Oberkörpererschutz



Tragen Sie einen Beinschutz.



Stoppen Sie das Produktes.

Mit den folgenden Symbolen wird die Bedeutung der verschiedenen Risikostufen, die mit dem Produkt einhergehen, dargestellt.

⚠ GEFAHR

Weist auf eine unmittelbare gefährliche Situation hin, die, falls nicht vermieden, zu Tod oder ernsthafter Verletzung führen kann.

⚠ WARNUNG

Weist auf eine mögliche gefährliche Situation hin, die, falls nicht vermieden, zu Tod oder ernsthafter Verletzung führen kann.

⚠ VORSICHT

Weist auf eine mögliche gefährliche Situation hin, die, falls nicht vermieden, zu einer leichten oder mittleren Verletzung führen kann.

VORSICHT

Ohne Sicherheitswarnsymbol

Bezeichnet eine Situation die zu Sachbeschädigungen führen kann.

EN

FR

DE

ES

IT

NL

PT

DA

SV

FI

NO

RU

PL

CS

HU

RO

LV

LT

ET

HR

SL

SK

BG

UK

TR

La seguridad, el rendimiento y la fiabilidad han sido las máximas prioridades a la hora de diseñar esta motosierra.

USO PREVISTO

La motosierra se debe utilizar exclusivamente en el exterior. Por razones de seguridad, la herramienta debe controlarse de forma adecuada utilizando las dos manos en todo momento.

Este producto está diseñado para el corte de ramas, troncos, leña y vigas de un diámetro determinado por la longitud de corte de la barra guía. Su uso se limita al corte de madera. Sólo debe utilizarse en usos domésticos por adultos que hayan recibido una formación adecuada sobre los riesgos y las acciones/medidas preventivas a tener en cuenta durante su utilización.

El producto no debería ser utilizado por niños o por personas que no lleven ropa o un equipo adecuados de protección personal. No debe ser utilizado para servicios profesionales de tala de árboles.

No la use para ninguna otra finalidad.

⚠ ADVERTENCIA

Al utilizar el producto, deben seguirse las normas de seguridad. Por su propia seguridad y la de los transeúntes, debe leer y comprender todas estas instrucciones antes de empezar a utilizar el aparato. Debe asistir a un curso de seguridad organizado profesionalmente sobre uso, medidas preventivas, primeros auxilios y mantenimiento de motosierras. Guarde las instrucciones para usarlas en el futuro.

⚠ ADVERTENCIA

Las motosierras son herramientas potencialmente peligrosas. Los accidentes que impliquen el uso de motosierras a menudo pueden causar la pérdida de miembros o la muerte. La motosierra no es la única que conlleva riesgo. Las ramas que caen, el derribo de árboles, o troncos rodantes pueden causar la muerte. La madera enferma o podrida implica peligros adicionales. Debes evaluar tu capacidad para completar la tarea de manera segura. En caso de duda, déjelo en manos de un profesional de árboles.

ADVERTENCIAS GENERALES DE SEGURIDAD DE LA HERRAMIENTA ELÉCTRICA

⚠ ADVERTENCIA

Lea todas las advertencias de peligro e instrucciones. El incumplimiento de las advertencias e instrucciones puede provocar descargas eléctricas, incendios y/o lesiones graves.

Conserve estas advertencias e instrucciones para poder consultarlas posteriormente.

El término "herramienta eléctrica" que aparece en las advertencias se refiere a su herramienta eléctrica (con cable) o con batería (sin cables).

ZONA DE TRABAJO

- **Mantenga el área de trabajo limpia y bien iluminada.** Las zonas oscuras o poco despejadas pueden provocar accidentes.
- **No utilice herramientas eléctricas en entornos inflamables, como puede ser en presencia de líquidos inflamables, gases o polvo.** Las herramientas eléctricas crean chispas que pueden inflamar el polvo o el humo.
- **Mantenga a los niños y personas ajenas alejadas de la zona en la que está utilizando la herramienta eléctrica.** Las distracciones pueden hacer que pierda el control de la herramienta.

SEGURIDAD ELÉCTRICA

- **Las conexiones de la herramienta eléctrica deben corresponder a los de la toma de corriente. No modifique el enchufe de ninguna manera. No utilice ningún adaptador con herramientas eléctricas conectadas a tierra.** Utilizar enchufes sin modificar y tomas correspondientes reducirán el riesgo de descargas eléctricas.
- **Evite el contacto corporal con superficies conectadas a tierra, como tuberías, radiadores, estufas y refrigeradores.** Existe un mayor riesgo de descargas eléctricas si su cuerpo está conectado a tierra.
- **No exponga este producto a la lluvia o humedad.** Si entra agua en una herramienta eléctrica podría aumentar el riesgo de descargas eléctricas.
- **Utilice correctamente el cable. No utilice el cable para llevar, tirar o desconectar el cable de la herramienta. Mantenga el cable lejos del calor, aceite, bordes afilados o partes móviles.** Los cables dañados o enredados aumentan el riesgo de descargas eléctricas.
- **A la hora de utilizar herramientas eléctricas al aire libre, utilice un alargador adecuado para uso en exteriores.** El uso de un cable adecuado para uso en exteriores reduce el riesgo de descargas eléctricas.
- **Si es inevitable utilizar una herramienta eléctrica en un lugar húmedo, utilice un dispositivo de corriente residual (RCD) como protección.** El uso de un RCD reduce el riesgo de descargas eléctricas.

SEGURIDAD PERSONAL

- **Manténgase alerta y atento a lo que está haciendo y utilice el sentido común al utilizar una herramienta eléctrica. No utilice una herramienta eléctrica cuando esté cansado o bajo la influencia de drogas, alcohol o medicamentos.** En un momento de descuido, mientras utiliza herramientas eléctricas podrían ocurrir lesiones personales graves.
- **Utilice un equipo de protección personal. Utilice siempre dispositivos de protección ocular.** El equipo de protección como la máscara antipolvo, los zapatos de seguridad antideslizantes, el casco o la protección auditiva utilizados para trabajar en las condiciones adecuadas reducirá los daños personales.
- **Evite la puesta en marcha accidental de la**

herramienta. Asegúrese de que el interruptor está en posición OFF antes de conectar la herramienta a una toma de corriente y/o batería, y levantar o transportar la herramienta. El transporte de herramientas con el dedo sobre el interruptor o la conexión de herramientas eléctricas con el interruptor en ON puede causar accidentes.

- **Extraiga cualquier llave de ajuste antes de encender la herramienta eléctrica.** Una llave que se encuentra conectada a una pieza de rotación puede resultar en lesiones personales.
- **No se extienda demasiado. Afírmese bien en sus piernas y no extienda demasiado el brazo.** Esto permite un mejor control de la herramienta eléctrica en situaciones inesperadas.
- **Lleve ropa adecuada. No use ropa holgada o joyas. Mantenga su cabello, ropa y guantes lejos de las piezas móviles.** La ropa suelta, joyas o el cabello largo pueden quedar atrapados en las piezas móviles.
- **Si existen dispositivos para la conexión de accesorios de recogida y extracción de polvo, asegúrese de que están conectados y que se utilizan adecuadamente.** El uso de accesorios de recogida de polvo puede reducir riesgos relacionados con el polvo.

USO Y CUIDADO DE LA HERRAMIENTA ELÉCTRICA

- **No fuerce el producto. Utilice la herramienta correcta para su aplicación.** La herramienta correcta hará un trabajo más seguro y mejor para el que ha sido diseñada.
- **No utilice la herramienta eléctrica si el interruptor de encendido no responde.** Cualquier herramienta que no puede ser controlada con el interruptor de encendido es peligrosa y debe ser reparada.
- **Desconecte el enchufe de la fuente de alimentación y/o extraiga la batería de la herramienta eléctrica antes de hacer cualquier ajuste, cambiar accesorios o almacenar herramientas eléctricas.** Estas medidas preventivas de seguridad reducen el riesgo de arranque accidental de la herramienta.
- **Coloque las herramientas eléctricas a ralenti fuera del alcance de los niños y no permita que personas no familiarizadas con la herramienta o con estas instrucciones la utilicen.** Las herramientas eléctricas son peligrosas en manos de personas no capacitadas.
- **Realice labores de mantenimiento de las herramientas eléctricas. Compruebe la alineación o unión de las piezas móviles, si existe rotura de piezas o cualquier otro problema que pueda afectar al funcionamiento de la herramienta. Si alguna pieza está dañada, la herramienta eléctrica debería repararse antes de volver a utilizarla.** Muchos accidentes son causados por un mantenimiento deficiente.
- **Mantenga las herramientas de corte bien afiladas y limpias.** Las herramientas de corte con bordes de corte afilados que tienen un mantenimiento adecuado reducen su deterioro y son más fáciles de controlar.
- **Utilice la herramienta, accesorios, partes eléctricas, etc., de acuerdo con estas instrucciones, teniendo en cuenta las condiciones de trabajo y el trabajo**

que se va a realizar. Utilizar la herramienta eléctrica para realizar trabajos diferentes a los que esta herramienta está destinada podría dar como resultado una situación peligrosa.

- **Mantenga los mangos y las superficies de agarre secos, limpios y libres de aceite o grasa.** Los mangos y superficies de sujeción resbaladizas no le permiten una sujeción y un control seguro de la herramienta en situaciones inesperadas.

MANTENIMIENTO

- **Su herramienta eléctrica debería ser reparada por personas cualificadas, que deberían utilizar únicamente piezas de repuesto idénticas.** Esto garantizará la seguridad a la hora de utilizar la herramienta eléctrica.

ADVERTENCIAS GENERALES DE SEGURIDAD ADICIONALES

- Algunas regiones tienen normas que limitan el uso del producto. Consulte con su autoridad local para obtener información.
- Nunca permita que niños o personas no familiarizadas con las instrucciones utilicen este producto. Las regulaciones locales pueden restringir la edad del operario.
- Antes de cada uso, asegúrese de que todos los controles y dispositivos de seguridad funcionan correctamente. No utilice la herramienta eléctrica si el interruptor de "apagado" no detiene el motor.
- Use protección ocular y auditiva total, guantes fuertes y resistentes, además de protección para la cabeza mientras utiliza el producto. Utilice una máscara para la cara si el ambiente de trabajo es polvoriento.
- No use ropa holgada, pantalones cortos ni joyería de ningún tipo.
- Recoja el cabello largo para que quede por encima del nivel de los hombros y evitar así que se enmarañe en cualquier pieza móvil.
- Tenga cuidado con los objetos proyectados, volantes o que caigan. Mantenga a los transeúntes, a los niños y a los animales a 15 m de distancia de la zona de operación.
- No trabaje con esta herramienta en una zona mal iluminada. El operador debe tener una visión clara de la zona de trabajo para identificar peligros potenciales.
- El uso de dispositivos de protección auditiva reducirá su capacidad para oír posibles advertencias (gritos o alarmas). El operador debe prestar atención extra a lo que está sucediendo en el área de trabajo.
- Utilizar herramientas similares a poca distancia aumenta tanto el riesgo de lesión auditiva como el riesgo potencial de que otras personas accedan a su área de trabajo.
- Mantenga su pisada firme y su equilibrio. No se extienda demasiado. Estirarse demasiado puede resultar en la pérdida de equilibrio y puede aumentar el riesgo de retroceso.
- Mantenga las piezas en movimiento alejadas de su cuerpo.

EN
FR
DE
ES
IT
NL
PT
DA
SV
FI
NO
RU
PL
CS
HU
RO
LV
LT
ET
HR
SL
SK
BG
UK
TR

- Inspeccione la máquina antes de cada uso. Compruebe el correcto funcionamiento de todos los controles incluyendo el freno de cadena. Compruebe que no haya piezas de sujeción sueltas, asegúrese de que todas las protecciones y mangos están bien sujetos. Sustituya cualquier pieza dañificada antes de su utilización.
- No modifique la herramienta de modo alguno ni utilice piezas o accesorios que no sean los recomendados por el fabricante.
- Un pico de potencia origina fluctuaciones de tensión que pueden afectar a otros productos eléctricos en la misma línea de alimentación. Conectar el producto a una fuente de alimentación con una impedancia igual o inferior a 0.33 Ω para minimizar las fluctuaciones de tensión. Para más aclaración, contacte con su proveedor de energía eléctrica.

⚠ ADVERTENCIA

Si el aparato se cae, sufre un impacto fuerte o empieza a vibrar de manera anormal, párelo inmediatamente y compruebe si está dañado o identifique el motivo de la vibración. La reparación de daños y la sustitución de piezas deben ser realizadas por un centro de servicio autorizado.

- El suministro eléctrico debería efectuarse mediante un dispositivo de corriente residual (RDC) con una corriente activa no superior a 30 mA.
- Si necesita utilizar una extensión, compruebe que es adecuada en uso en el exterior y que tiene una capacidad de corriente suficiente para alimentar el aparato. Antes de cada uso compruebe que no hay daños. Mantenga siempre los cables desenrollados mientras los utiliza ya que los cables enrollados pueden sobrecalentarse. Los alargadores no deben repararse, deben sustituirse por otros que sean equivalentes.
- Si el cable de corriente se daña, se debe sustituir antes de usar.
- Asegúrese de que el cable de alimentación está situado de tal manera que no puede dañarse por cortes y no se pisará, estorbará ni estará sometido a daños o molestias.
- No coja ni lleve el producto por el cable eléctrico.
- No tire del cable de alimentación para desconectarlo del suministro eléctrico.
- Mantenga el cable eléctrico lejos de fuentes de calor, aceite y bordes afilados.
- Antes de cada uso, examine el cable para ver si está dañado. Caso existan señales de daños, este debe sustituirse por un técnico calificado en un centro de asistencia autorizado para evitar peligros.

ADVERTENCIAS DE SEGURIDAD DE LA MOTOSIERRA

- **Aleje todas las partes del cuerpo de la cadena de la sierra cuando utilice el producto. Antes de arrancar la motosierra, asegúrese de que la cadena de la sierra no está en contacto con nada.** Un momento

de distracción en el manejo de la motosierra puede provocar que se enrede su ropa o su cuerpo con la motosierra.

- **Sujete siempre la herramienta con la mano derecha en la empuñadura trasera y la mano izquierda en la empuñadura delantera.** Sujetar la motosierra con la mano de forma invertida incrementa el riesgo de sufrir daños personales, por lo que nunca debe realizarse de ese modo.
- **Sujete la herramienta eléctrica exclusivamente por la superficie de agarre aislada, ya que la cadena de la sierra puede entrar en contacto con cables eléctricos ocultos o con su propio cable.** El contacto de la motosierra con un cable con corriente puede cargar las partes metálicas de la herramienta y puede provocar una descarga eléctrica.
- **Use gafas de seguridad y protección para los oídos. Se recomienda además el uso de equipos de protección para cabeza, manos, piernas y pies.** Una ropa de protección apropiada reducirá el riesgo de lesiones personales causadas por partículas volátiles o por el contacto accidental con la motosierra.
- **No utilice la motosierra en un árbol.** Utilizar la motosierra cuando se encuentra sobre un árbol puede provocar lesiones personales.
- **Mantenga siempre el equilibrio necesario y maneje la motosierra sólo cuando se encuentre sobre una superficie fija, firme y nivelada.** Las superficies resbaladizas o inestables, como las escaleras, pueden provocar una pérdida del equilibrio o del control de la motosierra.
- **Al cortar una rama que se encuentre bajo tensión, esté alerta por el efecto de retroceso.** Cuando la tensión de las fibras de madera se libera, la rama catapultada puede golpear al usuario y/o a la motosierra y dejarla fuera de control.
- **Tenga extremo cuidado al cortar los arbustos y brotes.** El material delgado puede bloquear la motosierra y lanzarla hacia usted o hacerle perder el equilibrio.
- **Lleve la motosierra por el mango delantero con la motosierra apagada y alejada de su cuerpo. Cuando transporte o guarde la herramienta, coloque siempre la cobertura de la barra guía.** Sujetar adecuadamente la motosierra reducirá la probabilidad de un contacto accidental con la cadena móvil de la sierra.
- **Siga las instrucciones para lubricar, tensar la cadena y cambiar los accesorios.** Una cadena mal tensada o lubricada incorrectamente puede romperse o incrementar el riesgo de retroceso.
- **Mantenga las asas secas, limpias y libres de aceite y grasa.** Los mangos grasientos y aceitosos son resbaladizos, provocando la pérdida de control.
- **Corte únicamente madera. No utilice la motosierra para fines diferentes de los aquí indicados. Por ejemplo, no utilice la motosierra para cortar plástico, mampostería o materiales de construcción que no sean de madera.** Utilizar la motosierra para realizar trabajos diferentes a los que esta herramienta está destinada podría dar como resultado una situación peligrosa.



Causas y prevención de retroceso:

Se puede producir un efecto de retroceso si el extremo de la espada toca un objeto o si la cadena se pellizca y se bloquea en la madera durante el corte.

El contacto con la punta, en algunos casos, puede ocasionar una reacción inversa repentina, provocando que la barra guía salte hacia el usuario.

Apretar la cadena de la sierra a lo largo de la parte superior de la barra de guía puede hacer que la barra de guía retroceda rápidamente hacia el operador.

Ambas reacciones provocan la pérdida de control de la motosierra, con el consiguiente riesgo de lesiones de gravedad. No confíe exclusivamente en los dispositivos de seguridad integrados en la motosierra. Como usuario de una motosierra, deberá adoptar una serie de medidas para evitar accidentes y lesiones durante los trabajos de corte.

El retroceso es el resultado de un uso incorrecto de la herramienta y/o de condiciones o procedimientos de manejo incorrectos, y se puede evitar tomando las precauciones necesarias según lo indicado abajo:

- **Sujete firmemente con ambas manos las empuñaduras de la motosierra, y coloque su cuerpo y el brazo de forma que puedan resistir la fuerza del retroceso.** La fuerza del retroceso puede ser controlada por el usuario si se toman las precauciones adecuadas. No suelte la motosierra.
- **No realice sobreesfuerzos y no corte por encima de la altura del hombro.** Esto ayuda a impedir el contacto accidental del extremo de la barra y permite un mejor control de la motosierra en situaciones inesperadas.
- **Utilice solo las cadenas y barras especificadas por el fabricante.** El uso de barras y cadenas de recambio incorrectas podría provocar una ruptura de la cadena y/o un retroceso.
- **Siga las instrucciones de afilado y mantenimiento del fabricante de la motosierra.** Disminuir la altura del calibre de profundidad puede ocasionar un incremento del retroceso.

ADVERTENCIAS ADICIONALES DE SEGURIDAD DE LA MOTOSIERRA

- Se recomienda cortar troncos sobre un caballete o un soporte al utilizar el producto por primera vez.
- Asegúrese de que todas las protecciones, mangos y paragolpes dentado están debidamente instalados y en buen estado.
- Las personas que utilicen el producto deben estar en buen estado de salud. El producto es pesado, por lo que el usuario debe contar con la capacidad física necesaria para manejarlo. El operario debe estar alerta, tener buena visión, movilidad, equilibrio y destreza manual. Si tiene alguna duda, no utilice el producto.
- No empiece a usar el producto hasta que el área de trabajo esté despejada, tenga los pies firmes y cuente con una zona planificada para alejarse de la caída del árbol.
- Tenga cuidado con la emisión de neblina del lubricante y aserrín. Use una máscara o respirador, si es necesario.
- Si el cable de alimentación sufre algún daño, solicite la reparación del producto únicamente en un centro de servicio autorizado.
- Mantenga siempre el cable de alimentación ordenado y alejado del área de corte. Además del peligro de electrocución, los cables descuidados provocan caídas y tropezones.
- No corte vides y/o maleza pequeña (menos de 75 mm de diámetro).
- Sujete siempre la motosierra con las dos manos durante su funcionamiento. Sujétela firmemente con los pulgares y los dedos alrededor de las asas. La mano derecha debe estar en el mango trasero y la mano izquierda en el mango delantero.
- Antes de poner en marcha el producto, compruebe que la cadena de la sierra no está en contacto con ningún objeto.
- No modifique el producto de ningún modo ni lo utilice para accionar accesorios o dispositivos no recomendados por el fabricante de su sierra.
- Debe haber un kit de primeros auxilios con vendajes grandes para heridas y un medio para llamar la atención (por ejemplo, un silbato) cerca del operario. Del mismo modo, debe haber un kit más amplio y completo cerca.
- Lleve un casco en todo momento al utilizar el producto. Un casco, equipado con visera de malla, puede reducir el riesgo de lesiones en la cara y la cabeza por retroceso.
- Una cadena mal tensada puede saltar fuera de la barra de guía, resultando en lesiones graves o la muerte. La longitud de la cadena depende de la temperatura. Compruebe frecuentemente la tensión.
- Debe familiarizarse con su nueva motosierra haciendo cortes simples en madera con un apoyo seguro. Haga esto cada vez que haya pasado algún tiempo sin utilizar la sierra.
- Para reducir el riesgo de lesión asociado con el contacto con las piezas giratorias, detenga siempre el motor, accione el freno de cadena y desconecte el enchufe de la toma eléctrica. Asegúrese de que todas las partes móviles se han detenido por completo:
 - antes de dejar el producto sin vigilancia
 - antes de limpiar o despejar una obstrucción
 - antes de colocar o quitar accesorios.
 - antes de inspeccionar, mantener o trabajar con el producto
- La extensión de la zona de trabajo depende de la tarea realizada así como del tamaño del árbol o de la pieza en cuestión. Por ejemplo, la tala de un árbol requiere una mayor área de trabajo que la realización de otros cE l operario tiene que estar atento y tener bajo control todo lo que ocurre en esta área de trabajo. ortes, por ejemplo, cortes de división de troncos, etc.
- No corte con su cuerpo en línea con la barra de guía y la cadena. En caso de retroceso, esto ayudará a evitar que la cadena entre en contacto con su cabeza o su cuerpo.
- No utilice un movimiento de vaivén hacia atrás y hacia delante mientras sierra, deje que la cadena haga

EN
FR
DE
ES
IT
NL
PT
DA
SV
FI
NO
RU
PL
CS
HU
RO
LV
LT
ET
HR
SL
SK
BG
UK
TR



- el trabajo, mantenga la cadena afilada y no intente empujar la cadena a través del corte.
- No aplique presión sobre la sierra al final del corte. Prepárese para aguantar el peso de la sierra cuando ésta sobrepase la madera. De otro modo, podría sufrir lesiones personales graves.
 - No detenga la sierra en medio de una operación de corte. Mantenga la sierra funcionando hasta que ya esté retirada del corte.

Equipo de protección personal

Los equipos de protección individual de buena calidad, como los utilizados por profesionales, ayudarán a reducir el riesgo de lesiones al operario. Al utilizar su motosierra, debe utilizar los siguientes elementos:

Casco de seguridad

- debe cumplir la norma EN 397 y poseer el marcado CE

Protección auditiva

- debe cumplir la norma EN 352-1 y poseer el marcado CE

Protección ocular y para el rostro

- deben poseer el marcado CE y cumplir la norma EN 166 (para gafas de seguridad) o EN 1731 (para pantallas de rejilla)

Gautes

- debe cumplir la norma EN381-7 y poseer el marcado CE

Protección para las piernas (pantalones de seguridad)

- deben cumplir la norma EN381-5, poseer el marcado CE y proporcionar una protección completa.

Botas de seguridad para la motosierra

- deben cumplir la norma EN ISO 20345:2004 y poseer un marcado que represente una motosierra para demostrar su conformidad con la norma EN 381-3. (Los usuarios ocasionales pueden utilizar botas de seguridad con punta de acero con polainas protectoras, de acuerdo con la norma EN 381-9 si el suelo está nivelado y hay poco riesgo de tropezar o engancharse en la maleza)

Chaquetas adecuadas para motosierra para protección de la parte superior del cuerpo

- debe cumplir la norma EN 381-11 y poseer el marcado CE

INSTRUCCIONES RELATIVAS A TÉCNICAS ADECUADAS PARA TALA BÁSICA, CORTE DE RAMAS Y CORTE TRANSVERSAL

Comprender las fuerzas dentro de la madera

Cuando se entienden las presiones y tensiones direccionales dentro de la madera, pueden reducirse los "pellizcos" o por lo menos prevenirlos durante el corte. La tensión en la madera significa que las fibras están siendo separadas y, si se corta en esta área, el corte tenderá a abrirse a medida que la sierra lo atraviesa. Si se está apoyando el tronco sobre un caballete y el extremo queda colgando sin soporte, se crea tensión en la superficie superior debido al peso del tronco que sobresale, estirando

las fibras. Del mismo modo, la parte inferior del tronco estará en compresión, por lo que las fibras tienden a unirse. Si se hace un corte en esta zona, el corte de separación tenderá a cerrarse durante el corte. Esto podría pellizcar la hoja de corte.

Talar un árbol

Véase la página 273 - 274.

Cuando dos o más personas realizan operaciones de corte y tala al mismo tiempo, la operación tala debería realizarse a una distancia de la operación de corte de al menos dos veces la altura del árbol que se está talando. Los árboles no deberían talarse de forma que puedan poner a alguien en peligro, alcanzar la línea de suministro o causar daños a la propiedad. Si el árbol se pone en contacto con cualquier línea de suministro, las empresas deberían ser notificadas inmediatamente.

El operario de la motosierra debe mantenerse en la parte más elevada del terreno puesto que es probable que el árbol ruede o resbale hacia abajo una vez talado.

Debe planificarse y despejar una vía de escape ya que es necesario antes de iniciar los cortes. La ruta de retirada debe extenderse hacia atrás y en diagonal hacia la parte posterior de la línea de caída prevista.

Antes de empezar la tala, tenga en cuenta la inclinación natural del árbol, la ubicación de las ramas más grandes y la dirección del viento para evaluar cómo caerá el árbol.

Elimine la suciedad, piedras, trozos de corteza suelta, clavos, estribos o cualquier alambre que pueda estar en el árbol.

No trate de hacer caer árboles descompuestos o dañados por viento, fuego, rayos, etc. Es extremadamente peligroso y debe realizarlo un selvicultor profesional.

- Corte inferior de entalle (muesca)

Véase la página 273 - 274.

Coloque la muesca a 1/3 del diámetro del árbol, en perpendicular con la dirección de la caída. Realice primero la muesca horizontal inferior. Esto ayudará a evitar que se pellizque la cadena de la sierra o la barra de guía al realizar la segunda muesca.

- Corte por cara opuesta

Véase la página 273 - 274.

Realice el corte trasero por lo menos 50 mm (2 pulgadas) por encima de la muesca horizontal. Mantenga el corte trasero paralelo al corte de la muesca horizontal. Haga el corte trasero para que haya suficiente madera para que funcione como una bisagra. La bisagra de madera evita que el árbol se retuerza y caiga en la dirección errónea. No corte a través de la bisagra.

A medida que se acerca el corte a la bisagra, el árbol debería comenzar a caer. Si hay alguna posibilidad de que el árbol pueda no caer en la dirección deseada o que pueda balancearse hace atrás o atascar la cadena de la motosierra, detenga el corte antes de completar el corte trasero y utilice cuñas de madera, plástico o aluminio para abrir el corte y dejar caer el árbol en la línea deseada.

Cuando el árbol empiece a caer, retire la motosierra del corte, detenga el motor, coloque la motosierra en el suelo y, a continuación, use la ruta de retirada

planeada. Esté alerta para evitar las ramas que puedan caer y preste atención siempre por donde camine.

Eliminación de las raíces fulcreas

Véase la página 274.

Una raíz fulcrea es una raíz grande que sale del tronco del árbol por encima del suelo. Elimine las raíces fulcreas antes de talar el árbol. Primero realice el corte horizontal en la raíz fulcrea, y luego el vertical. Retire de la zona de trabajo la sección suelta de madera que ha cortado. Después de eliminar las raíces fulcreas grandes, siga el procedimiento correcto para talar el árbol.

Empuje y arrastre

La reacción es siempre opuesta a la dirección de movimiento de la cadena. Por lo tanto, el operario debe estar preparado para controlar la tendencia del producto a alejarse (movimiento de avance) cuando esté cortando en el borde inferior de la barra. Acople siempre con firmeza la púa de tope para evitar este movimiento. Se puede producir un movimiento de retroceso (hacia el operario) del producto al efectuar un corte en el borde superior. Para evitarlo, asegúrese de que la cadena no se atasca al realizar un corte en el borde superior.

Sierra atascada en el corte

Detenga la motosierra y asegúrela. No intente forzar la cadena y la barra fuera del corte, ya que es probable que se rompa la cadena, pudiendo girar hacia tras y golpear al operario. Normalmente esta situación se debe a que la madera está mal apoyada y fuerza el corte bajo compresión, pellizcando así la hoja. Si la barra y la cadena no se liberan mediante el ajuste del soporte, use cuñas de madera o una palanca para abrir el corte y liberar la sierra. No intente arrancar la motosierra cuando la barra de guía ya esté en un corte o ranura.

Si patina o rebota

Cuando la motosierra no se hunde en un corte, la barra guía puede empezar a saltar o resbalar peligrosamente por la superficie del tronco o rama, provocando probablemente que se pierda el control de la motosierra. Para evitar que patine o rebote, utilice siempre la motosierra con ambas manos. Compruebe que la motosierra hace una ranura para el corte.

No corte nunca ramas pequeñas y flexibles ni maleza con su motosierra. Su tamaño y flexibilidad pueden hacer que la sierra rebote hacia usted o que se atasque con suficiente fuerza para causar un contragolpe. Las mejores herramientas para este tipo de trabajo son una sierra de mano, tijeras de podar, un hacha y otras herramientas de mano.

Corte transversal de un tronco

Véase la página 275.

Este aserrado se realiza se realiza longitudinalmente. Es importante asegurarse de que el suelo donde se encuentra sea firme y que su peso se distribuya uniformemente en ambos pies. Cuando sea posible el tronco debería ser levantado y apoyado mediante ramas, troncos o cuñas. Siga estas sencillas instrucciones para realizar un corte fácil: Cuando el tronco esté apoyado en toda su longitud, se corta desde

la parte superior (corte desde arriba).

Cuando el tronco esté apoyado en un extremo, corte 1/3 del diámetro a partir de la parte inferior (corte desde abajo). A continuación, realice el corte final cortando desde arriba para encontrar el primer corte.

Cuando el tronco está apoyado en ambos extremos, corte 1/3 del diámetro de la parte superior (overbuck). A continuación, realice el corte final cortando desde arriba 2/3 más abajo para encontrar el primer corte.

Cuando se realice el corte en una pendiente, sitúese siempre en la parte superior del terreno detrás del tronco. Al realizar un corte transversal y para mantener el control completo, libere la presión de corte cerca del extremo del corte sin relajar la fuerza que ejerce sobre las empuñaduras de la herramienta. No deje que la cadena toque el suelo. Después de completar el corte, espere hasta que la cadena se detenga antes de mover la herramienta. Detenga siempre el motor antes de pasar a otro árbol.

Desramado un árbol

Véase la página 276.

La poda en este contexto se refiere a quitar las ramas de un árbol talado. Al podar, deje que las ramas más grandes apoyen el tronco en el suelo. Quite las ramas pequeñas de un solo corte. Las ramas bajo tensión deben cortarse desde la parte inferior hacia arriba para evitar que se atasque la motosierra.

Barras elásticas

Véase la página 276.

Una rama con acción de resorte es cualquier tronco, rama, tocón con raíz o árbol joven que está curvado con tensión bajo la acción de otra pieza de madera que, cuando se corta o se retira, libera la rama que recupera bruscamente su posición original.

En un árbol caído, es muy probable que un tocón con raíces vuelva de golpe a su posición vertical al realizar el corte de tronzado para separar el tronco del tocón. Tenga mucho cuidado con las ramas con acción de resorte, porque son peligrosas. No intente cortar ramas dobladas o troncos bajo tensión a menos que esté capacitado profesionalmente y sea competente para hacerlo.

⚠ ADVERTENCIA

Las ramas con acción de resorte son peligrosas porque pueden golpear al operario haciéndole perder el control de la motosierra. Esto puede causar al operario lesiones graves o incluso fatales. Esta tarea debe ser realizada por usuarios capacitados.

TRANSPORTE Y ALMACENAMIENTO

Véase la página 281 - 284.

- Detenga el producto y desconéctelo del suministro eléctrico. Deje o aparato enfriarse antes de guardarlo o transportarlo.
- Limpie todo el material extraño que pueda permanecer en el producto. Guarde en una zona seca y bien ventilada, a la que no puedan acceder los niños. Evite el contacto con agentes corrosivos tales como productos



- químicos de jardinería o sales descongelantes. No almacenar al aire libre.
- Coloque la cubierta de la barra de guía antes de almacenar la unidad o durante el transporte.
- Para transportar el producto, sujételo de modo que no se mueva ni se caiga para evitar lesiones personales o daños al producto.

MANTENIMIENTO

Mantenga el producto en buen estado de funcionamiento.

⚠ ADVERTENCIA

Utilice sólo piezas y accesorios de recambio originales del fabricante. Si no lo hace podría ocurrir un mal funcionamiento, podrían producirse daños o podría quedar anulada la garantía.

⚠ ADVERTENCIA

Las reparaciones requieren tener mucho cuidado y conocimiento y sólo debe realizarse por un técnico de servicio calificado. Solicite la reparación del producto únicamente en un centro de servicio autorizado. Utilice solo recambios originales del fabricante para las operaciones de mantenimiento.

⚠ ADVERTENCIA

Desconecte el producto de la fuente de alimentación antes de limpiarlo, hacer ajustes o realizar tareas de mantenimiento en el producto. Si no lo hace podría haber un riesgo de lesiones graves.

- Usted solo puede realizar los ajustes o reparaciones descritos en este manual. Para cualquier otra reparación del producto, solicite su realización únicamente a un centro de servicio autorizado.
- Si se realiza un mantenimiento inadecuado, la eliminación o modificación de las características de seguridad como el freno de la cadena, la protección salvamanos (delante y detrás), los topes de púa, el resguardo para la cadena o la guía de barra, el retroceso bajo de la motosierra podría provocar que las funciones de seguridad no funcionen correctamente, aumentando de esa manera la posibilidad de lesiones graves. El mantenimiento del producto debe ser realizado por profesionales para mantener los niveles de seguridad.
- El afilado de la cadena de manera segura es una tarea especializada. Por lo tanto, el fabricante recomienda encarecidamente que se sustituya una cadena desgastada o roma por otra nueva, que estará a su disposición en su centro de servicio autorizado. El nombre de la pieza se encuentra disponible en la tabla de especificaciones de producto de este manual..
- Siga las instrucciones para lubricar, ajustar y comprobar la tensión de la cadena.
- Limpiar el producto con un paño suave seco después de cada uso.

- Verifique a intervalos frecuentes si todas las tuercas, pernos y tornillos están apretados apropiadamente para asegurarse de que el equipo esté en buenas condiciones de trabajo. Cualquier pieza dañada debe ser sustituida o reparada adecuadamente por un centro de servicio autorizado.

RIESGOS RESIDUALES:

Incluso cuando se utiliza el producto según las instrucciones, sigue siendo imposible eliminar por completo ciertos factores de riesgo residuales. Pueden surgir los siguientes riesgos durante el uso y el operador debe prestar especial atención para evitar lo siguiente:

- Lesiones por vibración
 - Use siempre la herramienta adecuada para el trabajo. Utilice los mangos designados. Limite el tiempo de trabajo y la exposición.
- La exposición al ruido puede causar pérdidas de audición.
 - Use protección para los oídos y limite el tiempo de exposición
- Contacto con los dientes de sierra de la cadena (riesgo de corte).
- Movimiento brusco o retroceso violento e imprevisto de la barra guía (riesgo de cortes).
- Piezas eyectadas por la motosierra (peligro de corte/inyección).
- Piezas proyectadas de la pieza de trabajo (virutas de madera, astillas).
- Inhalación de serrín y partículas.
- Contacto de la piel con aceite.

REDUCCIÓN DEL RIESGO

Se ha informado de que las vibraciones de las herramientas de mano puede contribuir a una condición llamada síndrome de Raynaud en ciertos individuos. Los síntomas pueden incluir hormigueo, entorpecimiento y decoloración de los dedos, generalmente aparentes cuando tiene lugar una exposición al frío. Se considera que los factores hereditarios, exposición al frío y a la humedad, dieta, tabaquismo y prácticas de trabajo contribuyen al desarrollo de estos síntomas. Existen medidas que pueden ser tomadas por el operador para reducir los efectos de vibración:

- Mantenga su cuerpo caliente durante el tiempo frío. Al manipular la unidad, utilice guantes para mantener las manos y las muñecas calientes. Hay informes que indican que el tiempo frío es un gran factor que contribuye al síndrome de Raynaud.
- Después de cada período de funcionamiento, realice ejercicios para aumentar la circulación sanguínea.
- Haga pausas de trabajo frecuentes. Limite la cantidad de exposición por día.
- Los guantes de protección disponibles en tiendas de motosierras profesionales están diseñados específicamente para el uso de motosierras, ofreciendo protección y buen agarren, reduciendo también el efecto de la vibración en el mango.

Si siente alguno de los síntomas de esta enfermedad, interrumpa inmediatamente el uso y consulte a su médico estos síntomas.

⚠ ADVERTENCIA

El uso prolongado de una herramienta puede causar o agravar lesiones. Al utilizar cualquier herramienta durante períodos prolongados asegúrese de tomar descansos regulares.

CONOZCA SU PRODUCTO

Véase la página 267.

1. Cadena
2. Espada
3. Protección de la mano delantera/Freno de la cadena
4. Mango delantero
5. Liberador del gatillo
6. Mango trasero
7. Espiga del parachoques
8. Tapón de aceite de la cadena
9. Retenedor de cable
10. Gatillo interruptor
11. Cubierta de la rueda dentada
12. Tensión de la cadena / Dispositivo de bloqueo de la barra de guía
13. Cubierta de la barra de guía
14. Pasador de la cadena

DISPOSITIVOS DE SEGURIDAD

Cadena de bajo retroceso

Una motosierra con poco nivel de retroceso ayuda a reducir la posibilidad de retroceso.

Las puntas (limitadores de profundidad) situadas delante de cada cuchilla reducen la fuerza de la reacción de retroceso evitando que las cuchillas se claven con demasiada profundidad en la zona de retroceso. Utilice solamente combinaciones de cadena y barras de guía recomendadas por el fabricante.

Cuando las cadenas se afilan, pierden parte de sus cualidades de bajo retroceso, por lo que se requiere mayor precaución. Por su seguridad, sustituya las cadenas de la sierra cuando disminuya el rendimiento de corte.

Espiga del parachoques

La espiga integral del parachoques puede usarse como pivote al hacer un corte. Ayuda a mantener el cuerpo de la motosierra estable durante el corte. Al cortar, empuje la herramienta hacia adelante hasta que las púas se claven en el borde de la madera y, a continuación, moviendo el mango trasero arriba o abajo en la dirección de la línea de corte, puede ayudar a aliviar la tensión física de corte.

Espadas

Por lo general, las barras de guía con puntas esféricas pequeñas tienen menos probabilidades de retroceso. Debe utilizar una barra de guía y una cadena adecuada que sea lo bastante larga para el trabajo. Las barras más largas aumentan el riesgo de pérdida de control durante el aserrado. Compruebe regularmente la tensión de

la cadena. Al cortar ramas más pequeñas (con menor longitud que la barra guía), existen más posibilidades de que la cadena sea proyectada si la tensión no es correcta.

Freno de la cadena

El freno de la cadena está diseñado para detener rápidamente la rotación de la cadena. Cuando la palanca del freno/protección de la mano se presiona hacia la espada, la cadena debe detenerse inmediatamente. El freno de la cadena no evita el retroceso. Sólo reduce el riesgo de lesiones en caso de que la barra de la cadena entre en contacto con el cuerpo del operario durante un retroceso. El freno de cadena debe probarse antes de cada para comprobar que funciona correctamente en posición de funcionamiento y de frenado.

Pasador de la cadena

Un resguardo para la cadena evita que la sierra de cadena retroceda hacia el usuario si esta se afloja o se rompe.

MONTAJE

⚠ ADVERTENCIA

En caso de que se dañe o falte alguna pieza, no utilice este producto hasta que se hayan reemplazado las piezas. No prestar atención a esta advertencia podría resultar en lesiones personales.

MONTAJE DE LA CADENA Y LA BARRA DE GUÍA

Véase la página 268 - 269.

1. Desconectar el enchufe principal. Use guantes de protección.
2. Desenrosque la perilla de bloqueo de la barra de guía y retire la rueda dentada.
3. La motosierra debe estar orientada hacia la dirección de rotación de la cadena. Si están orientadas hacia atrás, dé la vuelta a la cadena.
4. Coloque los eslabones de la cadena sobre las ranura de la barra.
5. Coloque la cadena de forma que quede una vuelta en la parte trasera de la espada.
6. Mantenga la cadena en su lugar sobre la barra y enróllela en el piñón. Baje la barra de manera que el perno encaje en el orificio en el conjunto de tensión de la cadena.
7. Vuelva a colocar la cubierta del piñón y, a continuación, apriete el pomo de bloqueo de tensión de la cadena/de la barra de guía girándolo en el sentido de las agujas del reloj hasta que quede bloqueado en su posición. Compruebe la tensión de la cadena con frecuencia. La tensión de la cadena es correcta cuando el espacio entre la cuchilla de la cadena y la barra mide entre 3 mm y 4 mm. Tire de la cadena en el centro de la parte inferior de la barra hacia abajo (alejándola de la barra) y mida la distancia entre la barra y los cortadores de la cadena.
8. Apriete y bloquee el pomo de bloqueo de tensión de la cadena/de la barra de guía girándolo en el sentido de las agujas del reloj.

EN
FR
DE
ES
IT
NL
PT
DA
SV
FI
NO
RU
PL
CS
HU
RO
LV
LT
ET
HR
SL
SK
BG
UK
TR

AJUSTE DE LA TENSIÓN DE LA CADENA

Véase la página 279.

1. Desconéctelo del suministro eléctrico. Use guantes de protección.
2. Para corregir la tensión de la cadena, afloje totalmente el pomo de bloqueo de tensión de la cadena/de la barra de guía y, a continuación, apriete el pomo de bloqueo de tensión de la cadena/de la barra de guía girándolo en el sentido de las agujas del reloj hasta que quede bloqueado en su posición. Compruebe la tensión de la cadena con frecuencia.

La tensión de la cadena es correcta cuando el espacio entre la cuchilla de la cadena y la barra mide entre 3 mm y 4 mm. Tire de la cadena en el centro de la parte inferior de la barra hacia abajo (alejándola de la barra) y mida la distancia entre la barra y los cortadores de la cadena.

3. Apriete y bloquee el pomo de bloqueo de tensión de la cadena/de la barra de guía girándolo en el sentido de las agujas del reloj.

OBSERVACIÓN: Asegúrese de que la barra y el conjunto tensor de la cadena se desplacen libremente, que no haya suciedad y que la cadena de la sierra esté correctamente asentada alrededor de la rueda dentada. Si la tensión de la cadena es excesiva o insuficiente después de bloquear el pomo de bloqueo de tensión de la cadena/de la barra de guía, compruebe si la barra de guía y el conjunto tensor de la cadena están limpios y bien montados.

Si fuera necesario, retire la cubierta de la rueda dentada para realizar una limpieza y, a continuación, vuelva a montar los componentes.

UTILIZACIÓN

AÑADA ACEITE LUBRICANTE PARA LA CADENA

Véase la página 269.

⚠ ADVERTENCIA

Nunca trabaje sin lubricante de cadena. Si la motosierra está funcionando sin lubricante, la barra de guía y la motosierra pueden estropearse. Es esencial comprobar el indicador del nivel de aceite con frecuencia y siempre antes de empezar a utilizar la motosierra.

1. Limpie el área alrededor de la tapa del aceite para prevenir la contaminación.
2. Desatornille y retire la tapa del depósito de aceite.
3. Vierta el aceite en el depósito de aceite y controle el indicador de nivel de aceite. Asegúrese de que no entre suciedad en el depósito de aceite durante la operación de llenado.
4. Coloque la tapa del depósito y apriétela. Limpie cualquier posible derrame.
5. Un depósito lleno de aceite le permitirá usar la sierra durante 12 - 18 minutos.

SUJECIÓN DE LA MOTOSIERRA

Véase la página 269.

Sujete siempre la herramienta con la mano derecha en la

empuñadura trasera y la mano izquierda en la empuñadura delantera. Sujete las empuñaduras con ambas manos. Asegúrese de que su mano izquierda sostiene el asa frontal y que su pulgar está debajo.

⚠ ADVERTENCIA

Mantenga siempre el cable de alimentación ordenado y alejado del área de corte. Además del peligro de electrocución, los cables descuidados provocan caídas y tropezones.

ARRANQUE DE LA MOTOSIERRA

Véase la página 269.

1. Conecte el producto a una toma de corriente eléctrica. Asegúrese de que el freno de la cadena esté en posición de ejecución empujando hacia atrás la palanca/ protección para manos.
2. Para poner en marcha el producto: Presione el dispositivo del desbloqueo del gatillo y, a continuación, presione el gatillo de encendido/apagado.

COMPROBACIÓN Y FUNCIONAMIENTO DEL FRENO DE CADENA

1. Accione el freno de cadena girando con la mano izquierda el mango delantero. Usando la palma de la mano, empuje la palanca del freno de cadena/ protección manual en dirección a la barra mientras la cadena está girando rápidamente. La cadena debería dejar de girar inmediatamente. Asegúrese de mantener ambas manos sobre los mangos de la sierra en todo momento.
2. Vuelva a colocar el freno de cadena en posición de funcionamiento sujetando la parte superior de la palanca del freno de cadena/protección manual y tirando de ella hacia el mango delantero hasta que oiga un clic.

⚠ ADVERTENCIA

Si el freno de la cadena no detiene la cadena de forma inmediata, o si el freno de la cadena no se mantiene en la posición de accionamiento sin ayuda, lleve el producto a un centro de servicio autorizado para su reparación antes de volver a utilizarlo.

SUSTITUCIÓN DE LA BARRA DE GUÍA Y DE LA CADENA DE LA SIERRA

Véase la página 277 - 278.

1. Desconéctelo del suministro eléctrico. Use guantes de protección.
2. Desbloquee el pomo de bloqueo de tensión de la cadena/de la barra de bloqueo girándolo en el sentido contrario al de las agujas del reloj hasta soltar la cubierta del piñón.
3. Retire la tapa de la rueda dentada. Retire la barra y la cadena de la herramienta.
4. Retire el tornillo que fija la barra de guía al conjunto de tensión de la cadena. Deseche de forma adecuada la barra y la cadena de la sierra usadas.

- Monte el soporte de tensión de cadena en la nueva barra y apriete el tornillo. Coloque la nueva cadena en la dirección correcta en la barra y compruebe que las conexiones de transmisión están alineadas con la ranura de la barra.
- Instale la barra en la motosierra y enrolle la cadena alrededor del piñón motriz. Vuelva a colocar la tapa del piñón.
- Apriete y bloquee el pomo de bloqueo de tensión de la cadena/de la barra de guía girándolo en el sentido de las agujas del reloj.

La tensión de la cadena es correcta cuando el espacio entre la cuchilla de la cadena y la barra mide entre 3 mm y 4 mm. Tire de la cadena en el centro de la parte inferior de la barra hacia abajo (alejándola de la barra) y mida la distancia entre la barra y los cortadores de la cadena.

Ajuste la tensión de la cadena. Consulte la sección "Ajuste de la tensión de la cadena".

⚠ ADVERTENCIA

El afilado inadecuado de la cadena aumenta el riesgo de retroceso.

⚠ ADVERTENCIA

Si no se sustituye o se repara a tiempo una cadena dañada, puede ocasionar lesiones graves.

⚠ ADVERTENCIA

La cadena está muy afilada. Utilice siempre guantes de protección cuando vaya a realizar alguna actividad de mantenimiento de la cadena.

INSPECCIONAR Y LIMPIAR EL FRENO DE CADENA

Véase la página 280.

- Mantenga siempre limpio el mecanismo de freno de la cadena cepillando suavemente la conexión para mantenerla libre de suciedad.
- Compruebe siempre el funcionamiento del freno de la cadena tras limpiarlo. Consulte la sección "Uso: Comprobación y uso del freno de cadena" de este manual para obtener más información.

PROGRAMA DE MANTENIMIENTO

| Revisión diaria | |
|-------------------------------|--------------------------------------|
| Cable de corriente para daños | Antes de cada uso |
| Lubricación de la barra | Antes de cada uso |
| Tensión de la cadena | Antes de cada uso y con frecuencia |
| Filo de la cadena | Antes de cada uso, inspección visual |
| Si hay piezas dañadas | Antes de cada uso |

| | |
|------------------------------------|---------------------|
| Si hay sujetadores sueltos | Antes de cada uso |
| Funcionamiento del freno de cadena | Antes de cada uso |
| Inspeccionar y limpiar | |
| Barra | Antes de cada uso |
| Sierra completa | Después de cada uso |
| Freno de la cadena | Cada 5 horas* |

*Horas de funcionamiento

SÍMBOLOS EN EL PRODUCTO



Advertencia



Para reducir el riesgo de heridas, lea atentamente y comprenda el presente manual de utilización antes de utilizar la herramienta.



Póngase protección para los ojos, los oídos y la cabeza.



Utilice calzado de seguridad antideslizante cuando utilice este producto.



Use guantes de trabajo resistentes, antideslizantes.



Retire el enchufe de la corriente inmediatamente antes de realizar cualquier mantenimiento o si el cable está dañado o cortado.



Tenga cuidado con el rebote de la sierra y evite el contacto con el extremo de la espada.



No la exponga a la lluvia o a lugares húmedos.



Sostenga y utilice la motosierra con ambas manos.



No utilice la motosierra sosteniéndola con una sola mano.



Esta herramienta responde a todas las normas reglamentarias del país de la UE donde se ha comprado.



Certificado EAC de conformidad



Herramienta de tipo II, doble aislamiento



Marca de conformidad ucraniana

001



Los productos eléctricos de desperdicio no deben desecharse con desperdicios caseros. Por favor recíclelos donde existan dichas instalaciones. Compruebe con su autoridad local o minorista para reciclar.



El mejor nivel de potencia sonora es de 104 dB (RCS1935B)



El mejor nivel de potencia sonora es de 105 dB (RCS2340B)



Lubricante para la barra y cadena



Freno de la cadena



Gire para bloquear o desbloquear la barra de guía



Cierre



Desbloquear



Dirección de movimiento de la cadena. (Marca debajo de la tapa del piñón)



Use protección para las piernas.



Detener el producto.

Los siguientes símbolos y palabras detallan los niveles de cuidado necesarios para usar este producto.

⚠ PELIGRO

Indica una situación potencialmente peligrosa que, de no evitarse, puede ocasionar la muerte o heridas de gravedad.

⚠ ADVERTENCIA

Indica una situación peligrosa que, de no evitarse, puede ocasionar la muerte o heridas de gravedad.

⚠ ADVERTENCIA

Indica una situación potencialmente peligrosa que, de no evitarse, puede ocasionar heridas leves.

ADVERTENCIA

Sin símbolo de alerta de seguridad

Indica una situación que puede causar daños en las cosas.

SÍMBOLOS EN ESTE MANUAL



Conectar a la toma de corriente



Desconectar de la toma de corriente



Las piezas o accesorios se venden por separado



Nota



Advertencia



Use protección ocular y para el rostro.



Use protección para la parte superior del cuerpo.

Durante la progettazione di questa motosega a catena è stata data la massima priorità a sicurezza, prestazioni e affidabilità.

UTILIZZO RACCOMANDATO

La motosega elettrica è destinata al solo uso all'aperto. Per ragioni di sicurezza, l'utensile deve essere adeguatamente controllato utilizzando sempre due mani.

Questo utensile è progettato per tagliare rami, fusti, tronchi, e rami di un diametro determinato dalla lunghezza di taglio della barra di guida. Questo utensile è adatto solo a tagliare legname. Esclusivamente per uso domestico da parte di adulti che hanno ricevuto una formazione adeguata sui pericoli e le misure/azioni preventive da seguire quando si utilizza il prodotto.

Il prodotto non dovrà essere utilizzato da bambini o da persone che non indossino un adeguato equipaggiamento anti-afortunistico e abiti di protezione. Il prodotto non deve essere utilizzato per lavori professionali di taglio alberi.

Non utilizzare per altri scopi.

⚠ AVVERTENZA

Quando si utilizza questo prodotto, seguire eventuali norme di sicurezza. Per la sicurezza dell'utente e quella degli osservatori, leggere e comprendere le istruzioni prima di mettere in funzione il prodotto. L'utente deve partecipare a un corso professionale organizzato sulla sicurezza nell'utilizzo, sulle azioni preventive, sul pronto soccorso e la manutenzione delle motoseghe. Conservare le istruzioni per eventuali riferimenti futuri.

⚠ AVVERTENZA

Le motoseghe sono utensili potenzialmente pericolosi. Incidenti con motoseghe risultano spesso in perdita di parti del corpo o morte. La motosega non è l'unico pericolo. Anche rami in caduta, alberi tagliati e tronchi rotolanti possono uccidere. Il legno marcio o malato può costituire un ulteriore pericolo. Valutare la propria capacità nel completare il compito in maniera sicura. Nel dubbio, lasciar lavorare un professionista o medico degli alberi.

AVVERTENZE GENERALI SULLA SICUREZZA DELL'UTENSILE

⚠ AVVERTENZA

Leggere tutte le avvertenze di sicurezza e le istruzioni. La mancata osservanza di tutte le istruzioni potrà causare scosse elettriche, incendi e/o gravi lesioni personali.

Conservare le presenti avvertenze ed istruzioni per poterle consultare in seguito.

Il termine "elettroutensile" nelle avvertenze fa riferimento a un elettroutensile che funziona con una spina (con cavo) o a batterie (senza cavo).

AMBIENTE DI LAVORO

- **Mantenere l'area di lavoro pulita e ben illuminata.** Aree di lavoro disordinate o non illuminate adeguatamente potranno causare incidenti.
- **Non mettere in funzione gli elettroutensili in atmosfere esplosive, come in presenza di liquidi infiammabili, gas o polvere.** Gli elettroutensili creano scintille che possono causare incendi a contatto con polveri e fumi.
- **Tenere bambini ed eventuali osservatori lontani mentre si mette in funzione l'elettroutensile.** Eventuali distrazioni potranno causare una perdita di controllo.

SICUREZZA ELETTRICA

- **La spina dell'elettroutensile deve corrispondere alla presa. Non modificare la spina in alcun modo. Non utilizzare spine adattatrici con elettroutensili con messa a terra (presa di terra).** Spine non modificate e prese corrispondenti ridurranno il rischio di scosse elettriche.
- **Evitare il contatto del corpo con superfici con messa a terra come tubi, radiatori, piani cottura e refrigeratori.** Rischio aumentato di scosse elettriche se il corpo viene collegato con messa a terra.
- **Non esporre il prodotto a pioggia o umidità.** Nel caso in cui dell'acqua entrerà nell'elettroutensile il rischio di scosse elettriche aumenterà.
- **Non sottoporre a sforzi il cavo dell'alimentazione. Non trasportare né tirare o scollegare l'elettroutensile dal cavo. Tenere il cavo lontano da calore, olio, angoli appuntiti o parti in movimento.** Cavi danneggiati o intrecciati potranno far aumentare il rischio di scosse elettriche.
- **Quando si mette in funzione un elettroutensile all'esterno, utilizzare una prolunga adatta all'esterno.** Utilizzare un cavo adatto agli esterni per ridurre il rischio di scosse elettriche.
- **Nel caso in cui non si possa fare a meno di mettere in funzione un elettroutensile in un luogo umido, utilizzare un dispositivo di corrente residua (RCD).** Utilizzare un RCD ridurrà il rischio di scosse elettriche.

SICUREZZA PERSONALE

- **Mantenere sempre l'attenzione e utilizzare buon senso quando si utilizza un elettroutensile. Non utilizzare un elettroutensile se stanchi o sotto l'influenza di droghe, alcool o farmaci.** Un momento di disattenzione durante le operazioni potrà risultare in gravi lesioni personali.
- **Utilizzare equipaggiamento di protezione personale. Indossare sempre occhiali di protezione.** L'utilizzo di attrezzature di protezione individuali, come maschere antipolveri, scarpe di sicurezza antidrucciolo, elmetto e dispositivi auricolari riducono il rischio di lesioni personali.
- **Prevenire l'avvio accidentale. Assicurarsi che l'interruttore sia sulla posizione off (spento) prima di collegare l'utensile all'alimentazione e/o al gruppo batterie, o prima di afferre e trasportare**

EN
FR
DE
ES
IT
NL
PT
DA
SV
FI
NO
RU
PL
CS
HU
RO
LV
LT
ET
HR
SL
SK
BG
UK
TR

l'utensile. Trasportare elettrotensili tenendo un dito sull'interruttore o con l'elettrotensile acceso potrà causare incidenti.

- **Rimuovere eventuali chiavi o dispositivi di regolazione prima di accendere l'elettrotensile.** Una chiave o un dispositivo di blocco collegato a una parte rotante dell'utensile potrà risultare in gravi lesioni personali.
- **Non protendersi. Rimanere bene in equilibrio sulle gambe e non distendere troppo lontano le braccia.** Ciò permetterà un miglior controllo dell'elettrotensile in situazioni inaspettate.
- **Indossare un abbigliamento adatto. Non utilizzare abiti con parti svolazzanti o gioielli. Tenere capelli, vestiti e guanti lontani dalle parti in movimento.** Abiti con parti svolazzanti, gioielli o capelli lunghi potranno rimanere impigliati nelle parti in movimento.
- **Nel caso in cui vengano forniti dispositivi per l'estrazione e la raccolta della polvere, assicurarsi che gli stessi siano collegati e utilizzati correttamente.** Utilizzare il sacchetto di raccolta della polvere può ridurre rischi collegati alla polvere.

UTILIZZO E MANUTENZIONE ELETTROTENSILI

- **Non forzare il prodotto. Utilizzare l'elettrotensile corretto per il proprio lavoro.** L'elettrotensile corretto svolgerà in maniera migliore e più sicura il lavoro per il quale è stato progettato.
- **Non utilizzare l'elettrotensile se l'interruttore non si accende e spegne.** Un elettrotensile che non può essere controllato dall'interruttore è pericoloso e deve essere riparato.
- **Scogliere la presa dall'alimentazione e/o il gruppo batterie dall'elettrotensile prima di svolgere le eventuali regolazioni, cambiare gli accessori o riporre elettrotensili.** Queste misure di sicurezza preventive ridurranno il rischio di avvio dell'elettrotensile.
- **Riporre elettrotensili lontano dalla portata dei bambini e non permettere a persone che non conoscano il funzionamento dell'elettrotensile o queste istruzioni di metterlo in funzione.** Gli elettrotensili possono essere pericolosi se utilizzati da personale non preparato.
- **Svolgere sempre le operazioni di manutenzione sull'elettrotensile. Controllare l'eventuale allineamento scorretto o blocco delle parti in movimento, la rottura di parti e qualsiasi altra condizione che potrà influenzare il funzionamento dell'elettrotensile. In caso di danni far riparare l'elettrotensile prima di utilizzarlo.** Elettrotensili sui quali non sono state svolte le dovute operazioni di manutenzione possono essere causa di incidenti.
- **Mantenere tutti gli utensili affilati e appuntiti.** Utensili per operazioni di taglio con parti taglienti sui quali sono state svolte le corrette operazioni di manutenzione non si bloccheranno e saranno più facili da controllare.
- **Utilizzare l'elettrotensile, i suoi accessori, le punte ecc. assieme a queste istruzioni tenendo conto delle condizioni di lavoro e del lavoro da svolgere.** Utilizzare l'elettrotensile per operazioni diverse da

quelle indicate potrà causare situazioni pericolose.

- **tenere manici e superfici da ancoraggio asciutte, pulite, e libere da olio e grasso.** Impugnatura o manici scivolosi non permetteranno di controllare e gestire in maniera sicura l'utensile in situazioni inaspettate.

MANUTENZIONE

- **Far svolgere la manutenzione da personale qualificato utilizzando solo parti di ricambio identiche.** Ciò permette di mantenere la sicurezza dell'elettrotensile.

AVVERTENZE DI SICUREZZA GENERALI ADDIZIONALI

- Alcune regioni hanno norme che limitano l'utilizzo del prodotto. Rivolgersi alle autorità locali per eventuali consigli.
- Tenere il prodotto lontano dalla portata dei bambini e di persone che non ne conoscono l'uso o le istruzioni di funzionamento. Leggi locali possono limitare l'età dell'operatore.
- Assicurarsi prima di ciascun utilizzo che tutti i comandi e i dispositivi di sicurezza funzionino correttamente. Non utilizzare l'elettrotensile se l'interruttore "off" (spento) non arresta il motore.
- Durante l'uso del prodotto indossare protezioni totali per occhi e udito, guanti rinforzati, nonché un elmetto di protezione. Utilizzare una mascherina per il volto in caso di polvere nell'ambiente in cui si opera.
- Non indossare abbigliamento con parti svolazzanti, pantaloni corti o gioielli di alcun tipo.
- Assicurare i capelli lunghi al di sopra delle spalle per evitare che rimangano impigliati nelle parti in movimento.
- Fare attenzione agli oggetti che potranno essere scagliati dall'utensile, agli oggetti volanti o che cadono. Mantenere passanti, bambini e animali nelle vicinanze ad almeno 15 m di distanza.
- Norme di sicurezza generali non utilizzare questo apparecchio in una zona scarsamente illuminata. L'area di lavoro deve essere pulita per essere in grado di individuare potenziali rischi.
- L'utilizzo di dispositivi di protezione ridurrà la capacità di ascoltare eventuali segnali d'allarme (grida o avvertimenti). L'operatore dovrà prestare attenzione a ciò che accade nella zona di lavoro.
- Mettere in funzione utensili simili troppo vicino al proprio corpo aumenterà il rischio di lesioni all'udito e i rischi potenziali per le persone che entrano nell'area di lavoro.
- Mantenere sempre un appoggio saldo e l'equilibrio. Non protendersi. Protendersi eccessivamente potrà causare una perdita di equilibrio e aumentare il rischio di contraccolpo.
- Tenere tutte le parti del proprio corpo lontane dalle parti in movimento.
- Controllare l'utensile prima di ogni utilizzo. Assicurarsi che tutti i controlli compreso il freno della catena funzionino correttamente. Controllare parti allentate, assicurarsi che tutti gli schermi e i manici siano correttamente collegati e assicurati. Sostituire le parti

danneggiate prima dell'utilizzo.

- Non modificare l'utensile in alcun modo né utilizzare parti e accessori non raccomandati dalla ditta produttrice.
- Un picco di energia potrà causare fluttuazioni nel voltaggio che potranno interessare altri prodotti elettrici collegati alla stessa linea. Connect the product to a power supply with an impedance equal to or less than 0.33 Ω to minimise voltage fluctuations. Contattare il proprio fornitore di energia elettrica per ulteriori chiarimenti.

AVVERTENZA

Se il prodotto cade, subisce impatti pesanti o inizia a vibrare in maniera anomala, arrestarlo e controllare eventuali danni per identificare la causa delle vibrazioni. Riparare eventuali danni o far sostituire i pezzi da un centro servizi autorizzato.

- La corrente elettrica dovrà essere fornita attraverso un dispositivo di corrente residua (RCD) con una corrente di scatto non superiore a 30 mA.
- Nel caso in cui si abbia bisogno di una prolunga assicurarsi che la stessa sia adatta all'utilizzo in esterni e abbia una capacità di corrente sufficiente per alimentare il prodotto. Controllare che l'utensile non presenti danni prima di ogni utilizzo. Srotolarlo sempre durante l'utilizzo dal momento che i cavi arrotolati potranno surriscaldarsi. Cavi di prolunga danneggiati non devono essere riparati, devono essere sostituiti con un tipo equivalente.
- Se il cavo di alimentazione è danneggiato, sostituirlo prima dell'uso.
- Assicurarsi che il cavo dell'alimentazione sia posizionato in modo da non essere danneggiato dai dispositivi di taglio, in modo che non venga calpestato o da non causare inciampo né che venga sottoposto a danni o stress.
- Non prendere né trasportare mai il prodotto dal cavo elettrico.
- Non scollegare mai l'utensile tirando il cavo dalla presa.
- Tenere il cavo lontano da fonti di calore, olio ed angoli appuntiti.
- Prima di ogni utilizzo, controllare il cavo dell'alimentazione per evidenziare eventuali danni. In caso di danni, far sostituire da personale qualificato presso un centro servizi autorizzato per evitare di correre rischi.

AVVERTENZE DI SICUREZZA MOTOSEGA

- **Durante l'utilizzo della motosega tenere tutte le parti del corpo distanti dal prodotto. Prima di avviare la motosega assicurarsi che l'utensile non entri in contatto con alcun altro corpo estraneo.** Un momento di disattenzione durante l'utilizzo della motosega potrà far impigliare l'abbigliamento dell'operatore e intrappolare parti del corpo nell'utensile.
- **Reggere sempre la motosega con la mano destra sul manico posteriore e la mano sinistra su quello**

anteriore. Reggere la motosega impugnandola in modo diverso da come indicato potrà aumentare il rischio di lesioni personali e non dovrebbe mai essere fatto.

- **Tenere l'elettrotensile solo tramite la superficie antiscivolo isolata, perché la motosega potrebbe entrare in contatto con dei fili elettrici nascosti.** Una motosega che tocca un cavo "vivo" potrà esporre le parti "vive" in metallo dell'elettrotensile causando scosse elettriche all'operatore.
- **Indossare occhiali e cuffie di protezione. Si raccomanda di utilizzare ulteriore attrezzatura di protezione per testa, mani, gambe e piedi.** Un adeguato abbigliamento protettivo ridurrà il rischio di lesioni personali causate da eventuali oggetti scagliati o di contatto accidentale con la motosega.
- **Non mettere in funzione la motosega in un albero.** Operazioni con la motosega mentre si è su un albero potranno causare lesioni personali.
- **Mantenere sempre l'equilibrio e mettere in funzione la motosega solo quando si sta in piedi su una superficie fissa, sicura e ben equilibrata.** Superfici scivolose o instabili come le scale potranno causare una perdita di equilibrio o controllo della motosega.
- **Quando si taglia un ramo sotto tensione fare attenzione all'eventuale contraccolpo.** Quando si rilascia la tensione delle fibre del legno, il contraccolpo del ramo potrà colpire l'operatore e/o far perdere allo stesso il controllo della motosega.
- **Fare estrema attenzione quando si tagliano rami e arbusti.** I materiali dallo spessore più esiguo potranno rimanere impigliati nella motosega ed essere scagliati contro l'operatore o far perdere allo stesso l'equilibrio.
- **Trasportare la motosega dal manico anteriore con il dispositivo spento e lontano dal proprio corpo. Installare sempre la copertura della barra di guida quando si trasporta o ripone la motosega.** Una gestione corretta della motosega ridurrà la probabilità di eventuale contatto accidentale con la sega in movimento.
- **Seguire le istruzioni per lubrificare e tensionare la catena o cambiare gli accessori.** Una catena non correttamente tensionata o lubrificata potrà rompersi o aumentare la possibilità di contraccolpi.
- **Mantenere i manici puliti, e rimuovere eventuali tracce di olio e grasso.** Manici sporchi e unti sono scivolosi, e causano perdita di controllo.
- **Tagliare solo il legno. Non utilizzare la motosega per scopi non consentiti. Per esempio, non utilizzare la motosega per tagliare plastica, materiali edili, o materiali non legnosi.** Utilizzare la motosega per operazioni diverse da quelle indicate potrà causare rischi.

Cause e prevenzione di eventuali rimbalzi:

Può verificarsi un contraccolpo se la punta della barra di guida entra a contatto con un oggetto o se la catena si incastra e si blocca nel legno durante il taglio.

Il contatto con la punta potrà causare una reazione improvvisa, facendo scattare la barra di guida indietro e

verso l'operatore.

Tirare la catena lungo la parte superiore della barra di guida potrà spingere l'utensile rapidamente verso l'operatore.

Queste reazioni possono causare all'operatore la perdita di controllo della sega, portando a gravi lesioni personali. Non affidarsi soltanto ai dispositivi di sicurezza predisposti sulla sega. L'operatore deve adottare altre misure di sicurezza per garantire che le operazioni di taglio non siano pericolose e non portino a infortuni.

Il contraccolpo è il risultato di un utilizzo scorretto dell'utensile e/o di procedure o condizioni di funzionamento non adeguate e potrà essere evitato prendendo le adeguate precauzioni, come indicato di seguito:

- **Mantenere una presa salda, con i pollici e le dita attorno al manico della motosega e con entrambe le mani sulla motosega, posizionando il corpo e il braccio in modo da resistere alla forza del contraccolpo.** Le forze del contraccolpo non possono essere controllate dall'operatore, se vengono prese adeguate precauzioni. Non lasciar andare la motosega.
- **Non protendersi e non tagliare al di sopra dell'altezza della spalla.** Ciò aiuterà a prevenire il contatto non intenzionale con la punta e garantirà un controllo migliore della motosega in situazioni inaspettate.
- **Utilizzare solo barre e catene di ricambio specificate dalla ditta produttrice.** Sostituzioni non corrette di barre e catene potranno causare rotture e/o contraccolpi.
- **Leggere tutte le istruzioni del produttore in merito all'affilimento della catena e tutte le relative istruzioni di manutenzione.** Diminuire l'altezza della profondità dell'indicatore potrà aumentare il rischio di contraccolpi.

AVVERTENZE DI SICUREZZA ADDIZIONALI PER LA MOTOSEGA

- Si raccomanda di tagliare tronchi su un cavalletto o un supporto quando si mette in funzione il prodotto per la prima volta.
- Assicurarsi che tutti gli schermi, i manici e i respingenti dentati siano stati correttamente montati e siano in ottime condizioni.
- Gli operatori che utilizzano questo prodotto dovranno essere in ottima salute. Il prodotto è pesante, pertanto l'operatore dev'essere fisicamente idoneo. L'operatore dovrà essere attento, avere un'ottima vista, mobilità ed equilibrio oltre a destrezza manuale. In caso di dubbi, non mettere in funzione il prodotto.
- Non iniziare a utilizzare il prodotto senza essersi prima assicurati prima un'area di lavoro pulita, massimo equilibrio e una via di fuga ben chiara da un eventuale albero in caduta.
- Fare attenzione alle emissioni di lubrificante e segatura. Indossare una maschera o un respiratore se necessario.
- Se il cavo di alimentazione si danneggia, far riparare il prodotto esclusivamente da un centro assistenza autorizzato.
- Tenere sempre il cavo dell'alimentazione in ordine e

lontano dall'area di taglio. Oltre al pericolo di scosse elettriche, i cavi in disordine potranno causare cadute e inciampi.

- Non tagliare viti e/o piccoli arbusti (con un diametro inferiore a 75 mm).
- Durante l'uso tenere sempre la motosega con entrambe le mani. Afferrare energicamente le impugnature della sega avvolgendovi attorno il pollice e le dita. Mettere sempre la mano destra sul manico posteriore e quella sinistra sul manico anteriore.
- Prima di avviare il prodotto accertarsi che la sega a catena non sia a contatto di alcun oggetto.
- Non modificare il prodotto in alcun modo né utilizzarlo per azionare accessori o dispositivi non consigliati dal fabbricante della sega stessa.
- Tenere sempre un kit di pronto soccorso con cerotti e bende grandi e un dispositivo per attirare l'attenzione (come un fischietto) accanto all'operatore. Tenere anche a portata di mano un kit più grande e meglio fornito.
- Durante l'utilizzo del prodotto indossare sempre un elmetto. Un elmetto dotato di visore a retina può ridurre il rischio di lesioni al viso e alla testa in caso di rinculo.
- Una catena non correttamente tensionata può fuoriuscire dalla barra di guida e potrebbe risultare in gravi lesioni o incidenti. La lunghezza della catena dipende dalla temperatura. Controllare frequentemente la tensione.
- Familiarizzare con la propria motosega facendo tagli semplici su legno saldamente assicurato. Farlo quando la motosega non è stata messa in funzione per qualche tempo.
- Per ridurre il rischio di lesioni associate al contatto con le parti in movimento, arrestare sempre il motore, applicare il freno della catena e togliere la spina dalla presa di corrente. Assicurarsi che tutte le parti in movimento si siano arrestate:
 - prima di lasciare il prodotto incustodito
 - prima di svolgere operazioni di pulizia o rimuovere un blocco
 - prima di montare o rimuovere accessori
 - prima di svolgere operazioni di controllo, manutenzione o lavoro sul prodotto
- la dimensione della zona di lavoro dipende dall'operazione da eseguire e dalla dimensione degli alberi o degli elementi coinvolti. Per esempio, tagliare un albero richiede un'area di lavoro più grande di quella di cui si ha bisogno per altri tipi di taglio, come per esempio tagliare un tronco in pezzi più piccoli, ecc. L'operatore deve essere attento e mantenere il controllo di tutto ciò che accade nella zona di lavoro.
- Non tagliare con il corpo allineato alla barra di guida e alla catena. In caso di contraccolpi ciò eviterà che la catena entri in contatto con la testa o il corpo dell'operatore.
- Non fare movimenti di taglio in avanti e indietro, lasciare che la catena faccia il suo lavoro, mantenere la catena affilata e non tentare di spingere la catena attraverso il taglio.

- Non esercitare pressione sulla sega al termine del taglio. Essere pronti ad accollarsi il peso della motosega mentre si libera dal legno. La mancata osservanza di queste regole potrà causare gravi lesioni personali.
- Non arrestare la motosega a metà delle operazioni di taglio. Lasciare la motosega in funzione fino a che non venga rimossa dal taglio.

Equipaggiamento protettivo personale

Un equipaggiamento protettivo personale di ottima qualità come utilizzato dai professionisti aiuterà a ridurre il rischio di lesioni all'operatore. Le seguenti voci devono essere utilizzate quando si mette in funzione la motosega:

Casco di sicurezza

- deve essere conforme allo standard EN 397 ed essere contrassegnato CE

Cuffie di protezione

- deve essere conforme allo standard EN 352-1 ed essere contrassegnato CE

Protezione occhi e viso

- devono essere contrassegnate con il marchio CE e rispettare lo standard EN 166 (per gli occhiali di sicurezza) o lo standard EN 1731 (per visori con rete)

Guanti

- deve essere conforme allo standard EN381-7 ed essere contrassegnato CE

Protezione gambe (sovrapantaloni)

- deve essere conforme allo standard EN381-5, ed essere contrassegnata dal marchio CE e fornire una protezione totale.

Stivali di sicurezza motosega

- devono rispettare lo standard EN ISO 20345:2004 ed essere contrassegnati con uno scudo che indica una motosega per indicare la compatibilità con lo standard EN 381-3. (gli utenti occasionali potranno utilizzare stivali di sicurezza con punta in acciaio con ghette di protezione secondo quanto indicato dallo standard EN 381-9 se il pavimento è ben equilibrato e ci sono ben pochi rischi di inciampare o rimanere impigliati nell'erba)

Giacche anti-infortunistiche per una protezione totale della parte superiore del corpo

- deve essere conforme allo standard EN 381-11 ed essere contrassegnato CE

ISTRUZIONI RIGUARDANTI LE TECNICHE ADATTE PER TAGLI DI BASE, TAGLIO DEI RAMI E TAGLIO INCROCIATO

Studiare le forze delle fibre del legno

Quando si comprendono le pressioni direzionali e le forze all'interno del legno, si possono ridurre le probabilità che la lama "si inceppi" nel legno o almeno prevenire che ciò avvenga durante le fasi di taglio. La tensione nel legno indica che le fibre si stanno separando e se si taglia in quest'area l'"intaccatura" o taglio tenderà ad aprirsi quando la sega lo attraverserà. Se un tronco viene sostenuto su un cavalletto e l'estremità dello stesso non viene sostenuta, si creerà tensione sulla superficie superiore a causa delle

fibre del tronco sospeso che si allungano. Allo stesso modo la parte interna del tronco si comprimerà e le fibre verranno schiacciate assieme. Se si procede a far un taglio in questa zona l'intaccatura avrà la tendenza di chiudersi durante il taglio. Ciò intrappolerà la lama.

Tagliare un albero.

Vedere le pagine 273 - 274.

Quando le operazioni di taglio e disboscamento vengono svolte da due o più persone allo stesso tempo, le due operazioni dovranno essere separate l'una dall'altra e svolte a una distanza di almeno due volte l'altezza dell'albero che si sta tagliando. Gli alberi non dovranno essere tagliati in modo da mettere in pericolo delle persone, colpire cavi elettrici o causare danni alla proprietà. Se l'albero entra in contatto con una linea elettrica, la compagnia ne dovrà essere immediatamente notificata.

Si consiglia all'operatore di mettersi sul lato a monte del terreno, poiché è più probabile che un albero rotoli o scivoli verso valle una volta abbattuto.

Progettare sempre una via di fuga e tenerla sempre pronta, prima di avviare le operazioni di taglio. La via di fuga deve essere tracciata alle spalle dell'operatore e in maniera diagonale rispetto alla linea di caduta dell'albero.

Prima di avviare le operazioni di taglio, considerare l'inclinazione dell'albero, la posizione dei rami più grandi e la direzione del vento per capire dove cadrà l'albero.

Rimuovere sporco, pietre, pezzi di corteccia, chiodi, fermagli e cavi dall'albero.

Non tentare di abbattere alberi marci o danneggiati da vento, incendi, fulmini, ecc. Si tratta di un'operazione estremamente pericolosa che deve essere eseguita solo da professionisti.

■ Incidere il taglio

Vedere le pagine 273 - 274.

Realizzare una tacca 1/3 del diametro dell'albero, perpendicolare alla direzione di caduta. Fare prima il taglio orizzontale inferiore. Ciò aiuterà ad evitare che la catena o la barra di guida rimangano impigliate quando si fa il secondo taglio.

■ Taglio posteriore di caduta

Vedere le pagine 273 - 274.

Fare il taglio di caduta a una altezza di almeno 50 mm/2 volte più in alto del taglio di intaccatura. Tenere il taglio di caduta parallelo al taglio orizzontale. Fare il taglio in modo che venga lasciato abbastanza legno e che lo stesso possa agire come cerniera. Il legno della cerniera farà in modo che l'albero non si pieghi su se stesso e cada nella direzione sbagliata. Non tagliare la cerniera.

Man mano che il taglio si avvicina al cardine, l'albero inizierà a cadere. Nel caso in cui vi sia la possibilità che l'albero non cada nella direzione desiderata o che ondeggi avanti e indietro bloccando la catena, arrestare le operazioni di taglio prima che il taglio finale sia completato e utilizzare cunei di legno, plastica o alluminio per aprire il taglio e far cadere l'albero lungo la linea di caduta desiderata.

Quando l'albero inizia a cadere rimuovere la motosega dal taglio, arrestare il motore, mettere giù la motosega,

quindi seguire la linea di fuga programmata. Fare attenzione ad eventuali rami sospesi che cadono dall'alto e fare attenzione al proprio equilibrio.

Rimozione dei contrafforti

Vedere pagina 274.

I contrafforti sono protuberanze legnose che si sviluppano nell'angolo tra le radici laterali e la loro inserzione al fusto, interessando la porzione basale del fusto stesso. È necessario rimuovere queste protuberanze prima di abbattere un albero. Praticare prima un taglio orizzontale nel contrafforte, seguito da un taglio verticale. Eliminare queste porzioni dalla zona di lavoro. Dopo aver eliminato tutti gli elementi cadenti, attenersi alla procedura di abbattimento appropriata.

Spinta e trazione

La forza di reazione è sempre contraria alla direzione di movimento della catena. Pertanto l'operatore dev'essere pronto a controllare la tendenza del prodotto ad allontanarsi (movimento in avanti) durante il taglio lungo il bordo inferiore della barra. Per evitare tale movimento afferrare sempre saldamente il paraurti a punte. Quando si taglia lungo il bordo superiore il prodotto può essere spinto all'indietro (verso l'operatore). Per evitarlo fare in modo che la catena non si inceppi.

Motosega incastrata nel taglio

Arrestare la motosega e fare in modo che sia sicura. Non tentare di forzare la catena e la barra fuori dal taglio dal momento che ciò potrà rompere la catena che potrà rimbalzare e colpire l'operatore. Questa situazione si verifica normalmente se il legno viene sostenuto in maniera scorretta permettendo al taglio di chiudersi a causa della compressione e facendo quindi incastrare la lama. Se regolare il supporto non rilascia la barra e la catena, utilizzare delle zeppe in legno o una leva per aprire il taglio e rilasciare la motosega. Non tentare di avviare la motosega quando la barra di guida è già stata inserita nel taglio o nell'intaccatura.

Slittamento / Rimbalzo

Quando la sega a catena non riesce ad affondare durante il taglio, la barra guida può iniziare a rimbalzare o scivolare pericolosamente lungo la superficie del tronco o ramo. Il risultato può essere la perdita di controllo della sega stessa. Per prevenire o ridurre scivolamenti e rimbalzi, impugnare la sega sempre con entrambe le mani. Accertarsi che la catena crei una scanalatura per il taglio.

Non tagliare mai con la sega a catena cespugli oppure rami piccoli e flessibili. Le loro dimensioni e flessibilità potranno facilmente provocare il rimbalzo della sega verso l'utente o rimanere bloccati all'interno dell'utensile causando un rimbalzo. Gli utensili migliori per queste operazioni sono seghe a mano, cesioie punzonatrici, accette e altri utensili a mano.

Tagliare un tronco in pezzi più piccoli

Vedere pagina 275.

Questa operazione consiste nel tagliare un tronco in pezzi piccoli Assicurarsi sempre l'equilibrio e che il peso sia distribuito in maniera uguale su entrambi i piedi. Ove

possibile, il tronco dovrà essere alzato e supportato utilizzando rami, tronchi o pezzi di legno. Seguire le direzioni semplici per tagli facili. Quando il tronco è sostenuto lungo tutta la sua lunghezza, viene tagliato dalla parte superiore (taglio dall'alto).

Quando il tronco viene sostenuto a una estremità, tagliare un diametro di 1/3 dalla parte interna (taglio dal basso). Fare il taglio finale dall'alto per incontrare il primo taglio.

Quando il tronco è sostenuto da entrambe le parti, tagliare un diametro di 1/3 dalla parte superiore (taglio dall'alto). Fare quindi un taglio finale a 2/3 dalla parte inferiore per incontrare il primo taglio.

Quando si svolgono le operazioni di taglio su un piano scosceso, posizionarsi sempre sulla parte più in alto. Quando si passa al "taglio finale", per mantenere il completo controllo rilasciare la pressione di taglio vicino all'estremità di taglio senza rilasciare la presa sulle impugnature della motosega. Non lasciare che la motosega entri in contatto con il terreno. Dopo aver completato il taglio, attendere che la motosega si arresti prima di spostare la motosega. Arrestare sempre il motore prima di spostarsi da un albero all'altro.

Tagliare rami da un albero abbattuto

Vedere pagina 276.

Tale operazione consiste nel rimuovere rami da un albero abbattuto. Quando si svolgono queste operazioni lasciare i rami inferiori in modo che sostengano il tronco lontano dal terreno. Rimuovere i rami piccoli con un taglio. I rami sotto tensione dovranno essere tagliati dal basso verso l'alto per evitare di bloccare la motosega.

Poli a molla

Vedere pagina 276.

Un astone elastico è un qualsiasi elemento dell'albero (ramo, ceppaia radicata o giovane perlica) piegatosi sotto tensione a causa di altri elementi e che, se il corpo che lo trattiene venisse reciso o rimosso, manifesterebbe un ritorno elastico improvviso.

Una ceppaia radicata ha un grosso potenziale di ritorno elastico alla sua posizione verticale durante l'operazione di sezionamento che separa il fusto dalla ceppaia stessa. Prestare attenzione agli astoni elastici, poiché sono pericolosi. Non tentare di tagliare i rami piegati o rami sotto tensione a meno che non si sia professionalmente pronti a in grado di farlo.

AVVERTENZA

Gli astoni elastici sono pericolosi e potrebbero colpire l'operatore provocando la perdita di controllo della sega a catena. Le conseguenze possono essere anche letali per l'operatore. Queste operazioni dovranno essere svolte da operatori preparati.

TRASPORTO E RIPONIMENTO

Vedere le pagine 281 - 284.

- Arrestare il prodotto, disconnettere la fornitura di alimentazione. Prima di riporre il prodotto o di trasportarlo in un veicolo, lasciarlo raffreddare.

- Rimuovere eventuali materiali di scarto dal prodotto. Riporre in un luogo asciutto e ben ventilato non accessibile ai bambini. tenerlo a distanza da agenti corrosivi, come le sostanze chimiche per il giardinaggio e il fondente chimico. Non riporre all'esterno.
- Montare il coperchio della barra di guida prima di riporre l'unità o durante le fasi di trasporto.
- Per il trasporto, assicurare il prodotto contro ogni movimento o contro eventuali cadute per evitare lesioni a persone o danni al prodotto.

MANUTENZIONE

Tenere il prodotto sempre in ottime condizioni di funzionamento.

⚠ AVVERTENZA

Utilizzare solo parti di ricambio, accessori e dispositivi originali della ditta produttrice. In caso contrario si potranno causare lesioni, prestazioni basse e la garanzia verrà invalidata.

⚠ AVVERTENZA

Le operazioni di manutenzione devono essere svolte con grande attenzione e accortezza solo da un tecnico qualificato. Far riparare il prodotto esclusivamente da un centro assistenza autorizzato. Quando si svolgono le operazioni di manutenzione, utilizzare solo parti di ricambio originali della ditta produttrice.

⚠ AVVERTENZA

Scollegare il prodotto dall'alimentazione prima di pulirlo, effettuare regolazioni o svolgere attività di manutenzione su di esso. La mancata osservanza di queste norme potrà causare gravi lesioni alla persona.

- Sarà solo possibile svolgere le regolazioni o riparazioni indicate nel presente manuale. Per altre riparazioni, portare il prodotto esclusivamente presso un centro assistenza autorizzato.
- Le conseguenze di una manutenzione impropria e della rimozione o modifica delle caratteristiche di sicurezza, come freno della catena, paramani (anteriore e posteriore), paraurti a punte, fermo della catena, barra guida, catena a basso rinculo, possono causare il cattivo funzionamento delle stesse caratteristiche di sicurezza, pertanto aumentando il potenziale di lesioni gravi. Far mantenere il prodotto sicuro da un professionista.
- Affilare la catena in modo sicuro è un compito che richiede attenzione e professionalità. Pertanto, il fabbricante consiglia vivamente di sostituire una catena usurata o smussata con una nuova, reperibile presso i centri di assistenza autorizzati. Il numero della parte è disponibile nella tabella specifiche prodotto nel presente manuale.
- Seguire le istruzioni per lubrificare, controllare e regolare il tensionamento catena.

- Dopo ogni uso, pulire il prodotto con una panno morbido e asciutto.
- Controllare frequentemente dadi, bulloni e viti, verificando che siano stati assicurati correttamente per fare in modo che l'utensile garantisca condizioni di lavoro ottimali. Riparare eventuali parti danneggiate o farle sostituire da un centro servizi autorizzato.

RISCHI RESIDUI:

Anche quando il prodotto viene utilizzato come indicato, è impossibile eliminare completamente alcuni fattori di rischio residuo. Si potranno correre i seguenti rischi durante l'utilizzo e l'operatore dovrà fare particolare attenzione per evitare quanto segue:

- Lesioni causate da vibrazioni
 - Utilizzare sempre l'attrezzo corretto per il lavoro che si desidera svolgere. Usare le apposite maniglie. Limitare la durata del lavoro e l'esposizione.
- L'esposizione al rumore può causare lesioni all'udito.
 - Indossare cuffie di protezione e limitare l'esposizione.
- Contatto con i denti esposti della catena (pericolo di taglio).
- Movimenti non previsti e improvvisi o rimbalzi della barra di guida (rischio di taglio).
- Parti che potranno essere scagliate dalla motosega (rischio di taglio/iniezione).
- Parti scagliate dal pezzo sul quale si sta lavorando (schegge e trucioli di legno).
- Inalazione di polvere e particelle di segatura.
- Contatto della pelle con l'olio.

RIDUZIONE DEL RISCHIO

Si è accertato che le vibrazioni causate da utensili a mano possono contribuire a causare una condizione chiamata Sindrome di Raynaud in alcune persone. I sintomi, comprendenti formicolio, intorpidimento e perdita di colore alle dita, si verificano di solito quando ci si espone al freddo. Fattori ereditari, esposizione a freddo e umidità, una dieta scorretta, fumo e condizioni di lavoro non sicure potranno contribuire allo sviluppo di questi sintomi. È possibile prendere delle precauzioni per ridurre le vibrazioni:

- Tenere il corpo al caldo a basse temperature. Quando si utilizza l'utensile, indossare guanti e tenere le mani e i polsi caldi. Le basse temperature contribuiscono a causare la Sindrome di Raynaud.
- Dopo aver utilizzato l'utensile per un certo periodo, fare degli esercizi per stimolare la circolazione del sangue.
- Fare spesso delle pause. Limitare la quantità di esposizione giornaliera.
- I guanti protettivi disponibili presso negozi professionali per motoseghe sono disegnati specificatamente per l'utilizzo con tali utensili e per garantire protezione, ottima impugnatura e ridurre l'effetto delle vibrazioni del manico.

Nel caso in cui si provino i sintomi di questa condizione, interrompere immediatamente l'utilizzo dell'utensile e consultare un dottore.

AVVERTENZA

Il prolungato utilizzo dell'utensile potrà causare o aggravare lesioni. Quando si utilizza questo utensile per periodi di tempo prolungati, assicurarsi di fare sempre delle pause regolari.

FAMILIARIZZARE CON IL PRODOTTO

Vedere pagina 267.

1. Catena
2. Barra di guida
3. Protezione mano anteriore/freno catena
4. Manico anteriore
5. Rilascio della leva
6. Manico posteriore
7. Respingente protezione dentate
8. Tappo dell'olio
9. Dispositivo di blocco cavo
10. Interruttore a grilletto
11. Coperchio ruota dentata
12. Tensione della catena / Manopola di blocco barra di guida
13. Coperchio barra di guida
14. Recuperatore della catena

DISPOSITIVI DI SICUREZZA

Catena a contraccolpo basso

Una catena a basso contraccolpo aiuta a ridurre la possibilità di contraccolpi.

I limitatori di spessore posti davanti a ciascun dente tagliante possono ridurre al minimo la forza prodotta da una reazione di contraccolpo, impedendo ai denti di penetrare in profondità una volta raggiunta la zona di contraccolpo. Utilizzare solo combinazioni di barra di guida e catena di ricambio raccomandati dalla ditta produttrice.

L'affilamento delle catene attenua via via le caratteristiche di contraccolpo basso e pertanto vanno trattate con maggiore cautela. Per la propria sicurezza, sostituire la catena della motosega quando le prestazioni di taglio diminuiscono.

Respingente protezione dentate

Il respingente protezione dentata integrale può essere utilizzato come sostegno quando si svolgono delle operazioni di taglio. Aiuta a mantenere il corpo della motosega fermo durante le operazioni di taglio. Durante le operazioni di taglio, spingere l'utensile in avanti fino a che le punte non entrino dentro il legno, quindi muovendo il manico posteriore su o giù nella direzione della linea di taglio si allenterà lo sforzo fisico del taglio.

Barre di guida

Di solito le barre di guida con punte da un diametro piccolo hanno un potenziale di rimbalzo più basso. Si dovrà utilizzare una barra di guida e una catena compatibile che sia abbastanza lunga per il lavoro. Le barre più lunghe aumentano il rischio di perdita di controllo durante le operazioni di taglio. Controllare regolarmente la tensione della catena. Quando si tagliano rami più piccoli (di lunghezza inferiore alla lunghezza della barra di guida) è

più probabile che la catena venga spostata se la tensione non è corretta.

Freno della catena

Il freno della catena è stato studiato per un arresto brusco della catena. Quando si spinge la leva del freno verso la barra, la catena dovrebbe arrestarsi immediatamente. Il freno della catena non impedisce il contraccolpo. Diminuisce solo il rischio di lesioni se la barra entra in contatto con il corpo dell'operatore durante un incidente di contraccolpo. Il freno della catena dovrà essere testato prima di ogni utilizzo per un corretto funzionamento nelle posizioni di avvio e freno.

Recuperatore della catena

Una protezione evita che la sega venga scagliata contro l'operatore qualora dovesse allentarsi o rompersi.

MONTAGGIO

AVVERTENZA

Nel caso in cui un componente manchi o sia danneggiato, non tentare di utilizzare l'apparecchio prima di averlo sostituito. La mancata osservanza di queste avvertenze potrà causare gravi lesioni personali.

MONTAGGIO CATENA E BARRA DI GUIDA

Vedere le pagine 268 - 269.

1. Scollegare dall'alimentazione principale. Indossare guanti di protezione.
2. Svitare la manopola di blocco barra guida e rimuovere il coperchio della ruota dentata.
3. La catena della sega dovrebbe essere rivolta nella direzione della ruotazione catena. Se sono rivolti in direzione opposta, rovesciare il cerchio.
4. Posizionare i collegamenti di trasmissione della catena nel solco della barra.
5. Posizionare la catena in modo da formare un cerchio sulla parte posteriore della barra.
6. Reggere la catena in posizione sulla barra e posizionare l'anello attorno alla ruota dentata di trazione. Abbassare la barra in modo che il bullone entri nel foro del gruppo tensionamento catena collegato.
7. Sostituire il coperchio della ruota dentata e stringere la manopola di bloccaggio della tensione della catena/ barra guida ruotandola in senso orario fino a quando non si blocca in posizione. Controllare frequentemente la tensione della catena.
La tensione della catena è corretta quando lo spazio tra la lama nella catena e la barra è tra i 3 mm e i 4 mm. Estrarre la catena nel centro del lato inferiore della barra rivolta verso il basso (lontano dalla barra) e misurare la distanza tra la barra e i dispositivi di taglio della catena.
8. Stringere e bloccare la manopola di bloccaggio di tensione della catena/barra guida ruotandola in senso orario.

REGOLAZIONE DELLA TENSIONE DELLA CATENA

Vedere pagina 279.

1. Scollegare dalla rete elettrica. Indossare guanti di protezione.
2. Per correggere la tensione della catena, allentare completamente la manopola di bloccaggio di tensione della catena/barra guida per poi stringerla di nuovo ruotandola in senso orario fino a quando non si blocca in posizione. Controllare frequentemente la tensione della catena.

La tensione della catena è corretta quando lo spazio tra la lama nella catena e la barra è tra i 3 mm e i 4 mm. Estrarre la catena nel centro del lato inferiore della barra rivolta verso il basso (lontano dalla barra) e misurare la distanza tra la barra e i dispositivi di taglio della catena.

3. Stringere e bloccare la manopola di bloccaggio di tensione della catena/barra guida ruotandola in senso orario.

NOTA: Accertarsi che la barra e il gruppo di tensionamento della catena possano muoversi liberamente senza sporcizia e che la catena della sega sia correttamente avvolta intorno alla ruota dentata. Se la tensione della catena è eccessiva o insufficiente dopo aver fissato la manopola di bloccaggio di tensione catena/barra guida, verificare se la barra guida e il gruppo di tensionamento della catena sono puliti e correttamente montati.

Se necessario, rimuovere il coperchio della ruota dentata e la barra guida per la pulizia, quindi rimontare le parti.

UTILIZZO

AGGIUNGERE OLIO LUBRIFICANTE PER CATENE

Vedere pagina 269.

AVVERTENZA

Non lavorare mai senza lubrificante sulla catena. Se la catena della sega gira senza lubrificante, la barra di guida e la catena della sega potranno essere danneggiate. È fondamentale controllare frequentemente il livello dell'olio nell'indicatore graduato prima di ogni utilizzo della motosega.

1. Pulire attorno al tappo dell'olio per prevenire eventuale contaminazione.
2. Svitare e rimuovere il tappo dal serbatoio dell'olio.
3. Versare l'olio nel serbatoio e monitorare l'indicatore livello dell'olio. Assicurarsi che non entri sporco nel serbatoio dell'olio mentre si riempie lo stesso di olio.
4. Rimettere il tappo dell'olio e serrare. Rimuovere eventuali tracce di olio versato.
5. Un serbatoio pieno di olio permetterà di utilizzare la motosega per 12 - 18 minuti.

MANTENERE LA MOTOSEGA

Vedere pagina 269.

Reggere sempre la motosega con la mano destra sul manico posteriore e la mano sinistra su quello anteriore.

Afferrare entrambi i manici con i pollici e le dita attorno ai manici. Assicurarsi che la mano sinistra regga il manico anteriore in modo che il pollice sia nella parte sottostante.

AVVERTENZA

Tenere sempre il cavo dell'alimentazione in ordine e lontano dall'area di taglio. Oltre al pericolo di scosse elettriche, i cavi in disordine potranno causare cadute e inciampi.

AVVIARE LA MOTOSEGA

Vedere pagina 269.

1. Collegare il prodotto a una presa di corrente. Assicurarsi che il freno della catena sia nella posizione di funzionamento tirando indietro la leva/il paramani.
2. Per avviare il prodotto: Premere la sicura del grilletto e poi premere l'interruttore a grilletto.

CONTROLLARE E METTERE IN FUNZIONAMENTO IL FRENO DELLA CATENA

1. Inserire il freno della catena ruotandola con la mano sinistra attorno al manico anteriore. Con il retro della mano, spingere la leva del freno della catena/lo schermo di protezione mani verso la barra mentre la catena ruota rapidamente. In questo modo dovrebbe fermarsi ruotando immediatamente. Assicurarsi di mantenere entrambe le mani sui manici della motosega in qualsiasi momento.
2. Riportare il freno della catena nella posizione di Avvio afferrando la parte superiore della leva del freno catena/schermo mani e spingerla verso il manico anteriore fino a che non si senta uno scatto.

AVVERTENZA

Se il freno non ferma la catena immediatamente, o se il freno non rimane nella posizione di marcia senza assistenza, portare il prodotto a un centro di assistenza autorizzato per la riparazione prima di usarlo nuovamente.

SOSTITUZIONE DELLA BARRA GUIDA E DELLA MOTOSEGA

Vedere le pagine 277 - 278.

1. Scollegare dalla rete elettrica. Indossare guanti di protezione.
2. Sbloccare la manopola di bloccaggio di tensione della catena/barra guida ruotandola in senso antiorario fino a quando il coperchio della ruota dentata non si allenta.
3. Rimuovere il coperchio della ruota dentata. Rimuovere la barra e la motosega dall'unità.
4. Rimuovere la vite che mantiene la barra guida al gruppo di tensionamento della sega. Eliminare la barra e la catena utilizzate appropriatamente.
5. Montare il gruppo di tensionamento della sega sulla nuova barra e serrare la vite. Mettere la nuova catena nella direzione corretta sulla barra e assicurarsi che i connettori della trazione siano allineati con il solco sulla barra.

6. Montare la barra sulla motosega e collegare la catena attorno alla ruota dentata della trazione.
Riposizionare il coperchio della ruota dentata.

7. Stringere e bloccare la manopola di bloccaggio di tensione della catena/barra guida ruotandola in senso orario.

La tensione della catena è corretta quando lo spazio tra la lama nella catena e la barra è tra i 3 mm e i 4 mm. Estrarre la catena nel centro del lato inferiore della barra rivolta verso il basso (lontano dalla barra) e misurare la distanza tra la barra e i dispositivi di taglio della catena.

Regolare la tensione della catena. Far riferimento alla sezione "Regolare la tensione della catena".

⚠ AVVERTENZA

Se la catena non è affilata correttamente, si aumenta il potenziale di contraccolpo.

⚠ AVVERTENZA

La mancata sostituzione o riparazione di una catena danneggiata può causare lesioni gravi.

⚠ AVVERTENZA

La catena è affilata. Indossare sempre un paio di guanti per eseguire interventi di manutenzione sulla catena.

ISPEZIONARE E PULIRE IL FRENO DELLA CATENA.

Vedere pagina 280.

- Tenere sempre il meccanismo del freno della catena pulito mantenendo gli anelli della catena puliti.
- Testare sempre le prestazioni del freno della catena dopo le operazioni di pulizia. Per ulteriori informazioni consultare la sezione "Utilizzo - Verifica e utilizzo del freno della catena" del presente manuale.

PROGRAMMA DI MANUTENZIONE

| Controllo quotidiano | |
|---------------------------------|--|
| Cavo di alimentazione per danni | Prima di ogni utilizzo |
| Lubrificazione barra | Prima di ogni utilizzo |
| Tensione della catena | Prima di ogni utilizzo e frequentemente |
| Affilatura catena | Prima di ogni utilizzo, fare un controllo. |
| Parti danneggiate | Prima di ogni utilizzo |
| Coperchi allentati | Prima di ogni utilizzo |
| Funzione freno catena | Prima di ogni utilizzo |
| Ispezionare e pulire | |
| Barra | Prima di ogni utilizzo |
| Sega completa | Dopo ogni utilizzo |

Freno della catena

Ogni 5 ore*

*Ore di funzionamento

SIMBOLI SUL PRODOTTO



Avvertenza

Per ridurre i rischi di lesioni, è indispensabile leggere attentamente e comprendere il presente manuale d'uso prima di utilizzare l'apparecchio.



Indossare protezione occhi, orecchie e testa.



Indossare calzature anti-scivolo con questo prodotto.



Indossare guanti anti-scivolo da lavoro.



Rimuovere la spina immediatamente prima delle operazioni di manutenzione o se il cavo è tagliato o danneggiato.



Fare attenzione al rimbalzo della motosega ed evitare il contatto con la punta della barra.



Non esporre a pioggia o umidità.



Tenere ed utilizzare la motosega con entrambe le mani.



Non utilizzare la motosega tenendola con una sola mano.



Questo apparecchio è conforme a tutte le norme vigenti nel paese dell'UE in cui è stato acquistato.



Marchio di conformità EurAsian



Utensile di Classe II, isolamento doppio



Marchio di conformità ucraino

001

I prodotti elettrici non devono essere smaltiti con i rifiuti domestici. Vi sono strutture per smaltire tali prodotti. Informarsi presso il proprio Comune o rivenditore di sicurezza per smaltire adeguatamente tali rifiuti.



Il livello di potenza sonora garantito è 104 dB (RCS1935B)



Il livello di potenza sonora garantito è 105 dB (RCS2340B)



Lubrificazione barra e catena



Freno della catena



Ruotare per bloccare o sbloccare la barra guida



Blocco



Sblocco



Direzione movimento della catena.
(Indicata sotto il coperchio della ruota dentata)

SIMBOLI NEL PRESENTE MANUALE



Collegare alla presa dell'alimentazione



Scollegare dalla presa dell'alimentazione



Parti o accessori venduti separatamente



Note



Avvertenze



Indossare maschere protettive per il volto e gli occhi.



Indossare protezioni per la parte superiore del corpo.



Indossare protezioni per le gambe.



Arrestare l'utensile.

I seguenti simboli indicano i livelli di rischio associati a questo prodotto.

PERICOLO

Indica una situazione pericolosa che, se non evitata attentamente, potrà causare gravi lesioni alla persona

o morte.

AVVERTENZA

Indica una situazione potenzialmente pericolosa che, se non evitata attentamente, potrà causare gravi lesioni alla persona o morte

ATTENZIONE

Indica una situazione potenzialmente pericolosa che, se non evitata attentamente, potrà causare lesioni minori o moderate alla persona.

ATTENZIONE

Senza simbolo di allerta di sicurezza

Indica una situazione che potrà risultare in gravi danni a cose.

Bij het ontwerp van uw elektrische kettingzaag hebben veiligheid, prestaties en betrouwbaarheid de hoogste prioriteit gekregen.

VOORGESCHREVEN GEBRUIK

Deze elektrische kettingzaag is alleen bedoeld voor gebruik buiten. Omwille van veiligheidsredenen moet het product correct worden bediend door steeds twee handen te gebruiken.

Het product is ontworpen voor het zagen van takken, boomstammen, houtblokken en balken in een diameter die wordt bepaald door de zaaglengte van het zwaard. Het werd uitsluitend ontworpen om hout te zagen. Het mag uitsluitend worden gebruikt bij huishoudelijke toepassingen door volwassenen, die een adequate training hebben gehad over de gevaren en eventuele preventieve maatregelen/acties, die moeten worden ondernomen tijdens het gebruik van het product.

Het product mag niet worden gebruikt door kinderen of personen die geen geschikte beschermuitrusting en -kledij dragen. Het mag niet worden gebruikt voor professionele boomsdiensten

Gebruik niet voor andere doeleinden.

⚠ WAARSCHUWING

Wanneer u het product gebruikt, moeten de veiligheidsregels worden opgevolgd. Voor uw eigen veiligheid en deze van omstanders, moet u deze instructies lezen en begrijpen voor u het product gebruikt. U volgt best een professioneel georganiseerde veiligheids cursus inzake het gebruik, preventieve acties, eerstehulp en onderhoud van kettingzagen. Bewaar de instructies voor later gebruik.

⚠ WAARSCHUWING

Kettingzagen zijn potentieel gevaarlijke werktuigen. Ongevallen met kettingzagen leiden vaak tot het verlies van ledematen of de dood. Niet enkel de kettingzaag is een gevaar. Vallende takken, omvallende bomen, rollende boomstammen kunnen allemaal de dood veroorzaken. Zieke of rottende bomen vormen een bijkomend gevaar. U moet altijd verzekeren dat u in staat bent om de opdracht veilig te vervullen. Bij twijfel laat u het over aan een professionele boomchirurg.

ALGEMENE VEILIGHEIDSWAARSCHUWINGEN VOOR HET WERKTUIG

⚠ WAARSCHUWING

Lees alle veiligheidswaarschuwingen en instructies. Wanneer niet de waarschuwingen en instructies niet opvolgt, kan dit leiden tot elektrische schok en/of ernstig letsel.

Bewaar deze waarschuwingen en voorschriften zorgvuldig om ze ook later te kunnen inzien.

De term "elektrisch gereedschap" in de waarschuwingen

verwijst naar gereedschap dat met de stroomtoevoer is verbonden (met snoer) of accu-aangedreven (snoerloos) gereedschap.

WERKOMGEVING

- **Houd de werkplek schoon en goed verlicht.** Vervuilde of donkere plekken nodigen uit tot ongevallen.
- **Gebruik elektrische werktuigen niet in explosieve omgevingen, zoals in de aanwezigheid van ontvlambare vloeistoffen, gassen of stof.** Elektrisch gereedschap kan vonken veroorzaken die het stof of de gassen kunnen ontsteken.
- **Houd kinderen en omstanders weg terwijl u elektrisch gereedschap gebruikt.** Wanneer u wordt afgeleid, kunt u de controle verliezen.

ELEKTRISCHE VEILIGHEID

- **Stekkers van elektrisch gereedschap moeten overeenkomen met de contactdoos. Wijzig de stekker nooit. Gebruik geen adapters met geaarde elektrische werktuigen.** Niet-gewijzigde stekkers en overeenkomstige contactdozen zullen het risico op elektrische schok verminderen.
- **Vermijd lichaamscontact met een geaard oppervlak, zoals buizen, radiatoren, kookfornuizen en koelkasten.** Er bestaat een verhoogd risico voor elektrische schokken als uw lichaam is geaard.
- **Stel het product niet bloot aan regen of natte omstandigheden.** Water dat een elektrisch werktuig binnendringt, verhoogt het risico op elektrische schokken.
- **Misbruik het snoer niet. Gebruik het snoer nooit om het elektrisch werktuig te dragen, eraan te trekken of het uit de contactdoos te trekken. Houd het snoer weg van hitte, olie, scherpe randen of bewegende onderdelen.** Beschadigde of verstrikte snoeren verhogen het risico op elektrische schokken.
- **Gebruik een verlengsnoer geschikt voor buitenshuis gebruik wanneer u een elektrisch werktuig buitenshuis gebruikt.** Het gebruik van een snoer dat geschikt is voor buitenshuis gebruik, vermindert het risico op elektrische schokken.
- **Als het gebruik van een elektrisch werktuig op een vochtige plaats onvermijdelijk is, gebruikt u een contactdoos die beschermd is door een aardlekschakelaar.** Het gebruik van een aardlekschakelaar vermindert het risico op elektrische schokken.

PERSOONLIJKE VEILIGHEID

- **Blijf alert, kijk naar wat u doet en gebruik uw gezond verstand wanneer u elektrisch gereedschap gebruikt. Gebruik een elektrisch werktuig niet wanneer u moe of onder de invloed van drugs, alcohol of medicijnen bent.** Een ogenblik van onoplettendheid terwijl u elektrisch gereedschap gebruikt, kan leiden tot ernstige verwondingen.
- **Gebruik een persoonlijke beschermuitrusting. Draag altijd gehoorbescherming.** Gebruik van beschermingsmiddelen zoals een stofmasker, anti-slip veiligheidsschoenen, veiligheidshelm of



gehoorbescherming leidt tot minder persoonlijk letsel.

- **Ongewens starten voorkomen. Zorg ervoor dat de schakelaar zich in de uit-stand bevindt voor u de machine met een stroombron en/of accupack verbindt, de machine opheft of draagt.** Wanneer u elektrisch gereedschap draagt met de vinger op de schakelaar of wanneer het gereedschap met de stroombron is verbonden, kan dit leiden tot ongevallen.
- **Verwijder alle afstelsleutels voor u het elektrisch werktuig inschakelt.** Een sleutel die op een draaiend onderdeel van het elektrisch gereedschap werd achtergelaten, kan leiden tot verwondingen.
- **Overrek u niet. Ga altijd stevig op uw benen staan en reik niet te ver weg met uw arm.** Dit maakt een betere controle van het werktuig in onverwachte omstandigheden mogelijk.
- **Draag geen wijde kleding, dassen of sieraden die klem kunnen raken en u naar de bewegende delen toe kunnen trekken. Draag geen losse kledij of juwelen. Houd uw haar, kledij en handschoenen weg van de bewegende onderdelen.** Losse kledij, juwelen of lang haar kan in bewegende onderdelen verstrikt raken.
- **Als er apparaten worden geleverd voor de verbinding met een stofextractie en verzamelfaciliteiten, zorgt u ervoor dat deze zijn verbonden en goed worden gebruikt.** Het gebruik van een stofverzamelaraar vermindert stof-gerelateerde gevaren.

GEbruik VAN EN ZORG VOOR UW ELEKTRISCH GE-REEDSCHAP

- **Forceer het product niet. Gebruik het correcte werktuig voor uw toepassing.** Het juiste werktuig zal de taak beter en veiliger uitvoeren aan het tempo waarvoor het werd ontworpen.
- **Gebruik het elektrisch werktuig niet als de schakelaar het niet kan in- of uitschakelen.** Een elektrisch werktuig dat niet met behulp van de schakelaar kan worden bediend, is gevaarlijk en moet worden gerepareerd.
- **Trek de stekker uit de contactdoos en/of ontkoppel het accupack van het gereedschap voor u de machine afstelt, accessoires wisselt of het werktuig opbergt.** Zulke preventieve veiligheidsmaatregelen kunnen het risico op ongewens start van de machine verminderen.
- **Bewaar ongebruikt elektrisch gereedschap buiten het bereik van kinderen en niet-opgeleide personen die het gereedschap of deze gebruiksaanwijzingen niet kennen.** Elektrisch gereedschap is gevaarlijk in de handen van niet-opgeleide gebruikers.
- **Onderhoud elektrisch gereedschap. Controleer op verkeerde aflijning of verstrikt raken van bewegende delen, defecten van onderdelen en alle andere situaties die de werking van het werktuig kunnen beïnvloeden. Indien beschadigd, laat u het elektrisch gereedschap repareren voor gebruik.** Veel ongevallen worden veroorzaakt door slecht onderhouden elektrische werktuigen.
- **Houd de zaagwerktuigen scherp en schoon.** Correct onderhouden zaagwerktuigen met scherpe randen

zijn minder geneigd om verstrikt te raken en kunnen makkelijker worden bestuurd.

- **Gebruik het werktuig, de accessoires en werktuigonderdelen, etc. in overeenstemming met deze instructies en houd rekening met de bedrijfsomstandigheden en het uit te voeren werk.** Het gebruik van een elektrisch werktuig voor zaken die niet in het voorgeschreven gebruik zijn beschreven, kan leiden tot gevaarlijke situaties.
- **Houd handvatten en grepen droog, schoon en vrij van olie en vet.** Gladde handvatten en grepen laten u niet toe om de machine veilig te bedienen en in onverwachte situaties te controleren?.

ONDERHOUD

- **Laat uw elektrisch gereedschap onderhouden door een gekwalificeerd onderhoudspersoon en gebruik hierbij uitsluitend identieke vervangonderdelen.** Dit zal ervoor zorgen dat de veiligheid van het werktuig wordt behouden.

BIJKOMENDE VEILIGHEIDSWAARSCHUWINGEN

- Enkele regio's hebben regels die het gebruik van het product beperken. Raadpleeg uw lokale autoriteit voor advies.
- Laat kinderen of mensen die niet vertrouwd zijn met de gebruiksaanwijzingen, het product nooit gebruiken. De plaatselijke wetgeving kan beperkingen opleggen i.v.m. de leeftijd van de bediener.
- Controleer voor elk gebruik of alle bedieningsknoppen en veiligheidsinrichtingen goed functioneren. Gebruik het gereedschap niet als de "uit"-schakelaar de motor niet stillegt.
- Draag bij gebruik van het apparaat volledige oog- en gehoorbescherming, sterke stevige handschoenen en hoofdbescherming. Gebruik een stofmasker indien de bediening van het toestel veel stof veroorzaakt.
- Draag geen loszittende kledij, korte broek of juwelen.
- Maak lang haar vast boven schouderhoogte om te voorkomen dat het verstrikt raakt in de bewegende delen.
- Pas op voor weggeslingerde, rondvliegende of vallende voorwerpen. Houd alle omstanders, kinderen en dieren op minstens 15 meter afstand van het werkbereik.
- Gebruik dit apparaat niet op plekken waar u niet goed kunt zien. De gebruiker heeft een duidelijk overzicht nodig van het werkgebied om mogelijke gevaren te identificeren.
- Het gebruik van gehoorbescherming vermindert de mogelijkheid om waarschuwingen (verbaal of alarmen) te horen. De gebruiker moet extra aandacht hebben voor wat er op de werkplaats gebeurt.
- Het gebruik van gelijksoortige apparaten in de nabijheid verhoogt het risico van letsel en de mogelijkheid dat er andere mensen in uw werkgebied komen.
- Bewaar steeds een stevige houvast en goed evenwicht. Overrek u niet. Overreiken kan leiden tot evenwichtsverlies en dit kan het risico op terugslag verhogen.

ALGEMENE

| |
|-----------|
| EN |
| FR |
| DE |
| ES |
| IT |
| NL |
| PT |
| DA |
| SV |
| FI |
| NO |
| RU |
| PL |
| CS |
| HU |
| RO |
| LV |
| LT |
| ET |
| HR |
| SL |
| SK |
| BG |
| UK |
| TR |



- Houd alle lichaamsdelen weg van de bewegende delen.
- Controleer de machine voor elk gebruik. Controleer of alle bedieninstrumenten correct werken, met inbegrip van de kettingrem. Controleer op losse verbinders. Zorg ervoor dat alle beschermers en handvatten correct en stevig zijn vastgemaakt. Vervang alle beschadigde onderdelen voor gebruik.
- Het apparaat op geen enkele wijze aanpassen of reserveonderdelen gebruiken die niet worden aanbevolen door de fabrikant.
- Een stroomstoot veroorzaakt stroomschommelingen en kan andere elektrische producten op hetzelfde circuit beïnvloeden. Verbind het product met een stroomvoorziening met een impedantie die kleiner of gelijk is dan 0.33 Ω om spanningschommelingen te minimaliseren. Neem contact op met uw elektriciteitsleverancier voor meer informatie.

⚠ WAARSCHUWING

Als u het product laat vallen, het een ernstige impact ondergaat of abnormaal begint te trillen, legt u het product onmiddellijk stil en controleert u het op schade of zoekt u naar de oorzaak van de trillingen. Enige schade moet direct worden gerepareerd of vervangen door een bevoegd onderhoudscentrum.

- Elektrische stroom moet via een aardlekschakelaar (RCD) worden geleverd met een uitschakelstroom van niet meer dan 30 mA.
- Als u een verlengsnoer moet gebruiken, zorg er dan voor dat dit geschikt is voor buitenshuis gebruik en dat het stroomvermogen voldoende is om uw product van stroom te voorzien. Controleer voor elk gebruik op schade. Laat tijdens gebruik altijd afrollen omdat opgerolde kabels kunnen oververhitten. Beschadigde verlengsnoeren mogen niet worden hersteld, maar moeten door een gelijkaardig type worden vervangen.
- Als het stroomsnoer beschadigd raakt, moet het vóór gebruik vervangen worden.
- Zorg ervoor dat het stroomsnoer zo is geplaatst dat het niet door de snijelementen kan worden beschadigd en men er niet kan op trappen, er over struikelen of op een andere manier beschadigen of onder druk brengen.
- Til het product nooit op aan de elektrische kabel of draag het nooit aan de elektrische kabel.
- Trek nooit aan het stroomsnoer om van de stroomtoevoer te ontkoppelen.
- Houd het stroomsnoer weg van hitte, olie en scherpe randen.
- Voor elk gebruik controleert u het stroomsnoer op schade. Als er tekenen van schade zijn, moet het door een gekwalificeerde deskundige in een geautoriseerd onderhoudscentrum worden vervangen om mogelijke gevaren te vermijden.

VEILIGHEIDSWAARSCHUWINGEN KETTINGZAAG

- Houd alle lichaamsdelen uit de buurt van de zaagketting tijdens het gebruik van het product. Voor u de kettingzaag start, zorgt u ervoor dat

de zaagketting met niets in contact komt. Een korte onoplettendheid tijdens het werken met een kettingzaag kan ertoe leiden dat uw kledij of lichaam met de kettingzaag verstrikt raakt.

- Houd de kettingzaag altijd vast met de rechterhand op het achterste handvat en de linkerhand op het voorste handvat. Als u de kettingzaag in een omgekeerde configuratie vasthoudt, wordt het risico op lichamelijke letsels groter.
- Houd het apparaat uitsluitend vast bij het geïsoleerde handvat, omdat de ketting anders in contact kan komen met de verborgen bedrading. Zaagkettingen die in contact komen met een spanningvoerende kabel kunnen metalen onderdelen van het gereedschap blootleggen, waardoor ook het gereedschap "onder spanning" komt te staan, waardoor de bediener een elektrische schok kan krijgen
- Draag een veiligheidsbril en gehoorbescherming. Een bijkomende beschermuitrusting voor het hoofd, de handen, benen en voeten is aangewezen. Een aangepaste beschermkledij vermindert lichamelijke letsels veroorzaakt door rondvliegend afval of accidenteel contact met de zaagketting.
- Gebruik de kettingzaag niet in een boom. Als u de kettingzaag in een boom gebruikt, kan dit leiden tot lichamelijke letsels.
- Zorg ervoor dat u altijd stevig vast staat en gebruik de kettingzaag alleen wanneer u op een vast, stabiel en effen oppervlak staat. Een glad of onstabiel oppervlak, zoals een ladder kan ertoe leiden dat u het evenwicht of de controle over de kettingzaag verliest.
- Wanneer u een tak onder spanning doorzaagt, pas dan op voor de terugslag. Wanneer de spanning in de houtvezels vrijkomt, kan de tak die onder spanning staat de gebruiker raken en/of ervoor zorgen dat hij de controle over de kettingzaag verliest.
- Weest uiterst voorzichtig als u hout en twijgen zaagt. Het dunne materiaal kan verstrikt raken in de kettingzaag en in uw richting worden geworpen of u uit uw evenwicht trekken.
- Draag de kettingzaag aan het voorste handvat en zorg ervoor dat de kettingzaag is uitgeschakeld en zich weg van uw lichaam bevindt. Wanneer u de kettingzaag transporteert of opbergt, dient u altijd het zwaarddeksel te bevestigen. Als u de kettingzaag goed hanteert, zal dit de kans op accidenteel contact met de bewegende zaagketting verminderen.
- Volg de instructies voor het smeren, aanspannen van de zaagketting en het vervangen van accessoires. Een foutief aangespannen of gesmeerde ketting kan breken of de kans op terugslag verhogen.
- Houd de handvatten droog, schoon en vrij van olie en vet. Vettige handen zijn glad, waardoor u de controle kunt verliezen.
- Zaag uitsluitend hout. Gebruik de kettingzaag niet voor niet-voorgescreven doeleinden. Gebruik de kettingzaag bijvoorbeeld niet voor het zagen van kunststof, metselwerk of bouwmetaal dat niet uit hout is gemaakt. Als u de kettingzaag voor andere doeleinden gebruikt dan deze die werden

voorgescreven, kan dit tot gevaarlijke situaties leiden.

Oorzaken en het voorkomen van terugslag:

Terugslag kan gebeuren wanneer de neus of de punt van het zaagblad een voorwerp raakt of het hout de kettingzaag afknelt in de zaagsnede.

Soms kan het contact van de punt leiden tot een plotse omgekeerde reactie, waardoor het zwaard wordt teruggeworpen en in de richting van de gebruiker wordt gegooid.

Wanneer u de zaagketting langs de bovenkant van het zwaard klemt, kan het zwaard snel achteruit in de richting van de gebruiker wordt geduwd.

Door beide reacties kan men de controle over de zaag verliezen wat kan resulteren in ernstig letsel. Vertrouw niet uitsluitend op de veiligheidsvoorzieningen die in uw zaag zijn ingebouwd. Als gebruiker van de kettingzaag dient u diverse stappen te ondernemen om uw zaagwerkzaamheden te vrijwaren van ongelukken of letsels.

Terugslag is het resultaat van misbruik van het gereedschap en /of foutieve bedieningsprocedures of omstandigheden en kunnen worden vermeden door de volgende voorzorgen te nemen:

- **Houd een stevige greep met de duimen en vingers rond de kettingzaaghandvatten, met beide handen op de zaag en plaats uw lichaam en arm zo dat u terugslagkrachten kunt weerstaan.** Terugslagkrachten kunnen door de gebruiker worden gecontroleerd als de nodige voorzorgen worden genomen. Laat de kettingzaag niet los.
- **Overreik niet en zaag niet boven schouderhoogte.** Dit helpt voorkomen dat de punt ongewild contact maakt en geeft u betere controle over de kettingzaag in onverwachte omstandigheden.
- **Gebruik uitsluitend vervangzwaarden en -kettingen die door de fabrikant zijn gespecificeerd.** Een foutief vervangzwaard of -ketting kan leiden tot kettingbreuk en/of terugslag.
- **Volg de slijp- en onderhoudsaanwijzingen van de fabrikant voor de kettingzaag op.** Het verminderen van de dieptemeterhoogte kan leiden tot verhoogde terugslag.

BIJKOMENDE VEILIGHEIDSWAARSCHUWINGEN M.B.T. DE KETTINGZAAG

- Het is aangewezen om houtblokken op een zaagbank of krat wanneer u het product voor het eerst gebruikt.
- Zorg ervoor dat alle beschermers, handvatten en buffer goed zijn bevestigd en in goede staat zijn.
- De personen die het product gebruiken moeten in goede gezondheid zijn. Het product is zwaar, dus de bediener moet lichamelijk sterk zijn. De gebruiker moet alert zijn, een goed zicht hebben, mobiel zijn, een goed evenwicht hebben en handig zijn. Bij twijfel gebruikt u het product niet.
- Start het product niet tot uw werkruimte vrij is, zorg dat u stevig op de voeten staat en bereid een ontsnappingsroute voor weg van een vallende boom.
- Pas op voor de emissie van smeermiddel mist en zaagsel. Draag indien nodig een masker of

ademhalingsstoel.

- Als de stroomkabel beschadigd raakt mag het product uitsluitend door een erkend servicecentrum worden gerepareerd.
- Houd het stroomsnoer altijd netjes en weg van het zaagbereik. Naast het risico op elektrocutie, kunnen slordige snoeren ook zorgen voor ongevallen met struikelen en vallen.
- Zaag geen wijnranken en/of lage ondergroei (minder dan 75 mm in diameter)
- Houd de kettingzaag tijdens gebruik steeds met beide handen vast. Zorg voor een stevige grip waarbij duimen en vingers de handgrepen van de kettingzaag omsluiten. De rechterhand moet zich op het achterste handvat bevinden en de linkerhand op het voorste handvat.
- Controleer voordat u het product start dat de ketting geen contact maakt met andere voorwerpen.
- Wijzig het product op geen enkele manier en sluit geen accessoires of apparaten aan, die niet door de fabrikant van het product worden aanbevolen.
- Er moet zich een eerstehulpkit met grote wondverbanden en een middel om de aandacht te trekken (vb. een fluitje) in de buurt van de gebruiker bevinden. Een uitgebreidere kit moet zich op redelijke afstand bevinden.
- Draag altijd een helm wanneer u het product gebruikt. Een helm met een gazen vizier helpt het risico op verwonding aan hoofd en gezicht te verkleinen bij een terugslag.
- Een foutief aangespannen ketting kan van het zwaard afspringen, wat kan leiden tot ernstige verwondingen of de dood. De lengte van de ketting hangt af van de temperatuur. Controleer regelmatig de spanning.
- U dient vertrouwd te worden met uw nieuwe kettingzaag door enkele eenvoudige zaagbewegingen te maken op een goed ondersteund stuk hout. Do dit altijd wanneer u de kettingzaag gedurende een zekere tijd niet hebt gebruikt.
- Om het risico van letsel door aanraken van roterende onderdelen te verminderen, moet de motor altijd worden gestopt, de kettingrem geactiveerd en de stekker verwijderd uit het stopcontact. Zorg ervoor dat alle bewegende delen volledig tot stilstand zijn gekomen:
 - voordat u het product onbewaakt achterlaat
 - voor u een blokkering reinigt of weghaalt
 - voor u voorzetstukken installeert of verwijdert
 - voor het controleren, onderhouden of werken aan het product.
- De omvang van het werkterrein is afhankelijk van het werk dat wordt uitgevoerd, alsmede het formaat van de desbetreffende boom of het werkstuk. Het vellen van een boom, bijvoorbeeld, veronderstelt een groter werkgebied dan nodig is voor andere zaagbewegingen, vb. het in stukken zagen van een houtblok, etc. De gebruiker moet zich bewust zijn van alles wat zich in het werkbereik afspeelt en er de controle over hebben.
- Zaag niet terwijl uw lichaam zich in lijn met het zwaard en de ketting bevindt. Als u een terugslag ervaart, zal

EN
FR
DE
ES
IT
NL
PT
DA
SV
FI
NO
RU
PL
CS
HU
RO
LV
LT
ET
HR
SL
SK
BG
UK
TR

dit helpen voorkomen dat de ketting in contact komt met uw hoofd of lichaam.

- Gebruik geen voor- en achterwaartse beweging, maar laat de ketting zijn werk doen. Houd de ketting scherp en probeer de ketting niet door de zaagsnede te forceren.
- Oefen geen druk uit op de zaag aan het einde van de zaagsnede. Wees klaar op het gewicht van de kettingzaag op te vangen als deze zich vrij van het hout zaagt. Wanneer u dit niet doet kan dit leiden tot ernstige letsels.
- Stop het zagen niet in het midden van een zaagbeweging. Laat de zaag draaien tot ze uit de zaagsnede is verwijderd.

Persoonlijke beschermuitrusting

Goede kwaliteit, persoonlijke beschermuitrusting, zoals gebruikt door profs help u het risico voor de gebruiker te verminderen. De volgende items moeten worden gebruikt wanneer u de kettingzaag bedient:

Veiligheidshelm

- moet overeenstemmen met EN 397 en CE-gemarkeerd zijn.

Gehoorscherming

- moet overeenstemmen met EN 352-1 en CE-gemarkeerd zijn.

Oog- en gezichtsbescherming

- moet CE-gemarkeerd zijn en overeenstemmen met EN 166 (voor veiligheidsbril) of EN 1731 (voor gezichtsmaskers in gaas)

Handschoenen

- moet overeenstemmen met EN381-7 en CE-gemarkeerd zijn.

Beenbeschermers (chaps)

- moeten overeenstemmen met EN391-5 en CE-gemarkeerd zijn en een algemene bescherming bieden.

Veiligheidslaarzen kettingzaag

- moeten overeenstemmen met EN ISO 20345:2004 en gemarkeerd zijn met een schild dat een kettingzaag afbeeldt om de overeenstemming met EN 381-3 aan te duiden. (Occasionele gebruikers kunnen veiligheidslaarzen met stalen punt met beschermende beenkappen gebruiken die overeenstemmen met EN 381-9 als de bodem vlak is er een maar weinig risico bestaat om te struikelen of in de ondergroei verstrikt te raken)

Kettingzaagjassen voor bescherming van het bovenlichaam

- moet overeenstemmen met EN 381-11 en CE-gemarkeerd zijn.

INSTRUCTIES MET BETREKKING TOT CORRECTE TECHNIEKEN VOOR HET VELLEN VAN BOMEN, SNOEIEN VAN TAKKEN EN DWARSZAGEN.

De krachten in het hout begrijpen

Als u de directionele druk en kracht in het hout begrijpt, kunt u de "kneelpunten" verminderen of ze tenminste tijdens het zagen voorspellen. Spanning in het hout betekent dat

de vezels uit elkaar worden getrokken en als u in deze omgeving de "insnijding" doorzaagt, zal de zaagsnede zich willen openen naargelang de zaag zich een weg door het hout baant. Als een houtblok op een zaagbank wordt ondersteund en het uiteinde hangt niet-ondersteund over, wordt spanning gecreëerd aan het buitenste oppervlak omwille van het gewicht van de overhangende blok die de vezels uitrekt. Op dezelfde manier zal de onderzijde van het houtblok onder druk staan en worden de vezels samengedrukt. Als u in deze buurt een insnede maakt, zal de zaagsnede de neiging hebben om zich tijdens het zagen te sluiten. Dit zou het zaagblad inklemmen.

Een boom vellen

Raadpleeg pagina 273 - 274.

Als u een boom in stukken zaagt of velt, moet dit door twee of meer personen tegelijk worden uitgevoerd en moet het vellen van het verzagen worden verwijderd door een afstand van tenminste twee keer de hoogte van de te vellen boom. Bomen mogen niet worden geveld op een manier dat iemand in gevaar zou kunnen komen, een nutsleiding kan worden geraakt of er zich materiële schade kan voordoen. Als de boom in contact komt met een nutsleiding, moet de nutsmaatschappij onmiddellijk worden verwittigd.

De gebruiker van de kettingzaag moet heuvelopwaarts staan op het terrein omdat de boom, nadat deze geveld is, zeer waarschijnlijk omlaag zal rollen of glijden.

Er moet een ontsnappingsroute worden gepland en vrijgemaakt, voor het zagen begint. De ontsnappingsroute moet weg van en diagonaal ten opzichte van de achterzijde van de verwachte vallijn worden gelegd.

Voor u met het vellen start, moet u de natuurlijke helling van de boom overwegen, de locatie van grotere takken en de windrichting om te oordelen waar de boom zal neerkomen.

Verwijder vuil, stenen, losse schors, nagels, nietjes en draden van de boom.

Probeer geen bomen te vellen die rot zijn, of zijn beschadigd door wind, vuur, bliksem, enz. Dit is uiterst gevaarlijk en mag alleen worden uitgevoerd door professionele boomchirurgen.

- Valkerf aanbrengen

Raadpleeg pagina 273 - 274.

Maak de inkeping op 1/3 van de diameter van de boom, loodrecht in de richting van de val. Zorg ervoor dat de ondersnede eerst wordt aangebracht. Dit helpt voorkomen dat de kettingzaag of het zwaard vast komen te zitten wanneer de tweede snede wordt gemaakt.

- Velsnede

Raadpleeg pagina 273 - 274.

Maak de velsnede tenminste 50 mm/2 hoger dan de valkerf. Houd de velsnede parallel tot de valkerf. Maak de velsnede zo dat er voldoende hout overblijft om als scharnier te werken. Het scharnierhout zorgt ervoor dat de boom omkantelt en in de verkeerde richting valt. Zaag niet door het scharnier.

Naarmate het vellen dicht bij de scharnier komt, moet de boom beginnen vallen. Als de kans bestaat dat de boom niet in de gewenste richting valt of terugkantelt en de zaagketting klemt, stopt u met zagen voor de

valsneede voltooid is en gebruikt u houten, kunststof of aluminium spieën om de zaagsneede te openen en de boom in de gewenste vallijn te doen vallen.

Wanneer de boom begint te vallen, verwijdert u de kettingzaag uit de sneede, legt u de motor stil, de kettingzaag neer en gebruikt u de geplande ontsnapingsroute. Wees alert voor vallende overhangende takken en let op waar u de voeten neerzet.

Hoofdwortels verwijderen

Zie pagina 274.

Zoals de naam al zegt, is een hoofdwortel een grote wortel die boven de grond vanuit de stam groeit. Verwijder grote hoofdwortels voorafgaand aan het vellen. Maak eerst een horizontale zaagsneede in de hoofdwortel, gevolgd door een verticale zaagsneede. Verwijder het losgezaagde stuk van de werkplek. Volg de juiste boomvelprocedure nadat u de grote hoofdwortels hebt verwijderd.

Duwen en trekken

De reactiekracht is altijd tegenovergesteld aan de richting waarin de ketting beweegt. Daarom moet de operator erop voorbereid zijn dat hij de neiging van het product om te trekken (met een voorwaartse beweging) in bedwang moet houden als hij op de onderrand van de balk aan het zagen is. Gebruik altijd de bumperkam om een dergelijke beweging te voorkomen. Het kan voorkomen dat het product naar achteren wordt geduwd (in de richting van de operator) bij het zagen langs de bovenrand. Om dit te voorkomen dient u ervoor te zorgen dat de ketting bij het zagen langs de bovenrand niet blokkeert.

Zaag zit vast in de zaagsneede

Stop de kettingzaag en beveilig deze. Probeer de ketting en het zwaard niet uit de zaagsneede te forceren aangezien de kans groot is dat de ketting breekt en terugslaat, waardoor de gebruiker wordt geraakt. Deze situatie doet zich normaal voor omdat het hout foutief wordt ondersteund en de zaagsneede onder druk komt te staan, waardoor het zaagblad vast raakt. Als u de steun afstelt, laat u het zwaard en de ketting niet los, maar gebruik houten spieën of een hefboom om de zaagsneede te openen en de zaag te bevrijden. Probeer de kettingzaag nooit te starten wanneer het zwaard zich reeds in een zaagsneede of insnijding bevindt.

Glijden/afkaatsen

Wanneer de kettingzaag tijdens het zagen een sneede niet kan maken, kan de geleidingsstang afkaatsen of gevaarlijk slippen langs het oppervlak van de balk of de tak, wat kan resulteren in mindere controle van de kettingzaag. Gebruik de zaag altijd met beide handen om glijden of afkaatsen te vermijden. Zorg dat de zaag eerst een groef maakt om te zagen.

Zaag nooit kleine, buigzame takjes of plankjes met uw kettingzaag. Hun afmetingen en flexibiliteit kan er gemakkelijk toe leiden dat de zaag naar u toe springt of verstrikt raakt met voldoende kracht om een terugslag te veroorzaken. Het beste gereedschap voor dat soort werk zijn een handzaag, snoeischaar, bijl en ander handgereedschap.

Afkorten

Zie pagina 275.

Verzagen betekent dat u een houtblok in stukken zaagt. Het is belangrijk te zorgen dat u stevig op de voeten staat en dat uw gewicht evenredig over beide voeten is verdeeld. Indien mogelijk, moet het houtblok worden opgeheven en ondersteund door takken, houtblokken of schoren. Volg de eenvoudige aanwijzingen voor gemakkelijk zagen. Wanneer het houtblok over de hele lengte wordt ondersteund, wordt het vanaf de bovenzijde gezaagd (bovensneede)

Wanneer het blok aan een zijde wordt ondersteund, zaagt u 1/3 de diameter vanaf de onderzijde (ondersneede). Dan maakt u de laatste zaagsneede langs de bovenzijde om de eerste zaagsneede te ontmoeten.

Wanneer het houtblok aan beide zijden wordt ondersteund, zaagt u 1/3 de diameter vanaf de bovenzijde (bovensneede). Dan maakt u de afgewerkte sneede door de onderste 2/3 langs onder te zagen om de eerste sneede te ontmoeten.

Wanneer u op een helling verzaagt, staat u altijd aan de bovenzijde van het houtblok. Wanneer u "doorzaagt" laat u de zaagdruk in de buurt van het einde van de zaagsneede los om de controle te behouden zonder uw grip op de kettingzaaghandvatten te verliezen. Laat de ketting de grond niet raken. Nadat u de zaagsneede hebt voltooid, wacht u tot de zaagketting is stilgevallen tot u de kettingzaag beweegt. Leg de motor altijd stil voor u van boom naar boom beweegt.

Takken afzagen

Zie pagina 276.

Takken afzagen is het verwijderen van de takken van een geveld boom. Wanneer u de takken afzaagt, laat u de grotere, lager takken hangen om het houtblok van de grond te ondersteunen. De kleinere takken in een zaagsneede verwijderen Takken onder spanning moeten vanaf de rand naar boven worden gezaagd om te vermijden dat de kettingzaag verstrikt raakt.

Veerstok

Zie pagina 276.

Met een gebogen tak bedoelen we in deze handleiding elke stam, tak, boomstronk of twijg die onder spanning gebogen staat door een ander stuk hout zodat het in zijn oorspronkelijke positie terugspringt zodra het hout dat de 'gebogen tak' in diens positie houdt, wordt gezaagd of verwijderd.

Bij een omgevallen boom is de kans groot dat een in de grond gewortelde boomstronk terugspringt in zijn oorspronkelijke positie tijdens het kortzagen om de stam van de stronk te scheiden. Pas op voor takken onder spanning, deze zijn gevaarlijk. Probeer geen gebogen takken of stompen te zagen die onder spanning staan tenzij u professioneel bent opgeleid en ervaring hebt om dit te doen.

⚠ WAARSCHUWING

Takken onder spanning zijn gevaarlijk en kunnen ervoor zorgen dat de gebruiker de controle over de kettingzaag verliest. Dit kan resulteren in ernstig of fataal letsel voor de gebruiker. Dit moet door ervaren gebruikers worden uitgevoerd.

TRANSPORT EN OPSLAG

Raadpleeg pagina 281 - 284.

- Stop het apparaat en haal de stekker uit het stopcontact. Laat het product afkoelen voordat u het opbergt of vervoert in een voertuig.
- Verwijder alle vreemde voorwerpen van het product. Bewaar op een koele, droge en goed geventileerde plaats die niet toegankelijk is voor kinderen. Houd corrosieve producten, zoals tuinchemicaliën en strooizout uit de buurt van het apparaat. Bewaar niet buitenshuis.
- Plaats het zwaarddeksel terug voor u de machine opbergt of tijdens het transport.
- Voor transport beveiligt u het product tegen bewegen of vallen om lichamelijke letsels of schade aan het product te voorkomen.

ONDERHOUD

Bewaar het product altijd in een goede bedrijfstoestand.

⚠ WAARSCHUWING

Gebruik uitsluitend originele vervangonderdelen, accessoires en voorzetstukken van de fabrikant. Als u dit niet doet, kan dit mogelijks letsels of slechte prestaties veroorzaken waardoor uw garantie kan vervallen.

⚠ WAARSCHUWING

Het onderhoud vereist extreme voorzichtigheid en deskundigheid en mag enkel door een gekwalificeerde onderhoudstechnicus worden uitgevoerd. Het product mag uitsluitend door een erkend servicecentrum worden gerepareerd. Gebruik uitsluitend originele vervangonderdelen wanneer u onderhoudswerken aan de machine uitvoert.

⚠ WAARSCHUWING

Haal het product uit het stopcontact voordat u het reinigt, aanpassingen maakt of onderhoudswerkzaamheden aan het product uitvoert. Als u dit niet doet, kan dit leiden tot ernstige lichamelijke letsels.

- U mag uitsluitend de afstellingen of herstellingen uitvoeren die in deze gebruiksaanwijzing worden beschreven. Voor andere reparaties mag het product uitsluitend door een erkend servicecentrum worden gerepareerd.
- Door onjuist onderhoud en verwijdering of aanpassing van de veiligheidsfuncties, zoals de kettingrem,

handbeschermer (voor- en achter), kam, kettingvanger, geleidebalk, zaagketting met lage terugslag, kan het geburen dat de veiligheidsfuncties niet correct functioneren, waardoor de kans op ernstig letsel wordt vergroot. Zorg ervoor dat het product professioneel wordt onderhouden, zodat het veilig blijft werken.

- Het veilig slijpen van de ketting is een taak die gespecialiseerde kennis vereist. Daarom raadt de fabrikant ten sterkste aan om een versleten of botte ketting te vervangen door nieuw exemplaar. Dit is verkrijgbaar bij uw geautoriseerde servicecentrum. Het onderdeelnummer is beschikbaar in de productspecificatie in deze gebruiksaanwijzing
- Volg de instructies voor het smeren en de afstelling en controle van de kettingspanning.
- Na elk gebruik, reinigt u het product met een zachte, droge doek.
- Controleer regelmatig of alle moeren, bouten en vijzen goed zijn vastgemaakt om zeker te zijn dat het toestel veilig kan worden gebruikt. Een beschadigd onderdeel moet door een geautoriseerd onderhoudscentrum goed worden gerepareerd of vervangen.

RESTRISICO'S

Zelfs wanneer het product zoals voorgeschreven wordt gebruikt, is het nog steeds onmogelijk om bepaalde restrisico's volledig te elimineren. De volgende gevaren kunnen ontstaan tijdens het gebruik en de bediener moet bijzondere aandacht hebben om de volgende situaties te voorkomen:

- Letsels veroorzaakt door trillingen
 - Gebruik altijd het voor de taak geschikte werktuig. Gebruik de daarvoor bestemde handvatten. Beperk de werktijd en blootstelling.
- Blootstelling aan geluid kan gehoorletsels veroorzaken.
 - Draag gehoorbescherming en beperk de blootstelling.
- Contact met blootliggende zaagtanden van de ketting (snijgevaar).
- Onvoorziene, plotse bewegingen of terugslag van het zwaard (snijgevaar).
- Stukken die uit de kettingzaag worden weggegooid (snij/injectiegevaar).
- Uitgeworpen stukken van het werkstuk (houtzaagsel, splinters).
- Inhaleren van zaagsel en partikels.
- Huidcontact met olie.

RISICOBEPERKING

Er zijn meldingen dat trillingen van handwerktuigen bij sommige mensen bijdragen tot het Syndroom van Raynaud. Symptomen kunnen ondermeer tintelingen, gevoelloosheid en bleek worden van de vingers omvatten, wat normaal gezien duidelijk wordt bij blootstelling aan koude. Erfelijke factoren, blootstelling aan koude en vocht, dieet, roken en werkroutine kunnen allemaal bijdragen tot de ontwikkeling van deze symptomen. Er kunnen door de bediener maatregelen worden genomen om de gevolgen

van de trillingen te beperken:

- Houd bij koud weer uw lichaam warm. Draag handschoenen wanneer u de machine gebruikt om handen en polsen warm te houden. Men neemt aan dat koud weer een belangrijke factor is die bijdraagt tot het Syndroom van Raynaud.
- Doe oefeningen om de bloeddoorstroming te bevorderen na elke periode van gebruik.
- Neem regelmatig een pauze. Beperk het aantal uren dat u per dag wordt blootgesteld.
- Beschermhandschoenen verkrijgbaar bij professionele kettingzaaghandelaars zijn specifiek ontworpen voor gebruik met kettingzagen die bescherming bieden, een goede greep en de gevolgen van handgreetrillingen verminderen.

Wanneer u enige van de symptomen van deze aandoening ervaart, stop dan onmiddellijk met het gebruik van het toestel en raadpleeg uw dokter

⚠ WAARSCHUWING

Letsels kunnen worden veroorzaakt of ernstiger worden door verlengd gebruik van een werktuig. Als u een werktuig gedurende langere periodes gebruikt, neem dan regelmatig pauze.

KEN UW PRODUCT

Zie pagina 267.

1. Ketting
2. Zaagblad
3. Voorste handbescherming/Kettingrem
4. Voorste handvat
5. Gashendelontgrendeling
6. Achterste handvat
7. Steunklaw
8. Kettingliedop
9. Snoerhouder
10. Trekschakelaar
11. Kettingwieldeksel
12. Kettingspanning / Zwaardvergrendelknop
13. Zwaarddeksel
14. Kettingvanger

VEILIGHEIDSVORZIENINGEN

Zaagketting met lage terugslag

Een kettingzaag met weinig terugslag helpt de kans voor terugslag verminderen.

De dieptestellernok (tanddiepte) voor elke snijschakel kan de kracht van de terugslagreactie verminderen door te voorkomen dat de snijschakels zich te diep in het terugslaggebied ingraven. Gebruik uitsluitend een vervangzwaard en -kettingcombinatie, aangeraden door de fabrikant.

Wanneer zaagkettingen worden geslepen, verliezen ze iets van hun lage terugslag-functionaliteit en dient men extra op te letten. Voor uw veiligheid vervangt u de zaagkettingen wanneer de zaagprestaties verminderen.

Steunklaw

De geïntegreerde bumperspike kan als middelpunt worden gebruikt wanneer u een insnede maakt. Het helpt om het lichaam van de kettingzaag stabiel te houden tijdens het zagen. Tijdens het zagen drukt u de machine voorwaarts tot de pinnen zich in de rand van het hout zetten en door het achterste handvat naar boven of onder in de zaagrichting te bewegen, wat kan helpen om de fysieke inspanning van het zagen te verlichten

Zaagbladen

Over het algemeen hebben zwaarden met kleine schuifpunten een ietwat lager potentieel voor terugslag. U dient een zwaard en passende ketting te gebruiken die net lang genoeg is voor het werk. Langere zwaarden verhogen het risico op controleverlies tijdens het zagen. Controleer regelmatig de spanning. Wanneer u kleinere takken zaagt (kleiner dan de volledige lengte van het zwaard) is de kans dat de ketting wordt afgeworpen groter als de spanning niet correct is.

Kettingrem

Kettingremmen zijn ontworpen om het draaien van de ketting snel te stoppen. Wanneer de kettingremhendel/handbescherming naar het zaagblad wordt geduwd, moet de ketting onmiddellijk stoppen. Een kettingrem voorkomt geen terugslag. Het vermindert het risico op letsels in geval het zwaard in contact komt met het lichaam van de gebruiker tijdens terugslag. De kettingrem moet worden getest voor elk gebruik op correcte werking in de stand draaien en rem.

Kettingvanger

Een kettingvanger voorkomt bij losraken of breken van de ketting dat deze in de richting van de gebruiker springt.

MONTAGE

⚠ WAARSCHUWING

Als er onderdelen zijn beschadigd of ontbreken, gebruik dan het toestel niet vooraleer de onderdelen werden vervangen. Wanneer u deze waarschuwing niet in acht neemt, kan dit leiden tot ernstige letsels.

ZAAGKetting EN ZWAARD MONTEREN

Raadpleeg pagina 268 - 269.

1. Trek de stekker uit. Draag beschermhandschoenen.
2. Schroef de geleidervergrendelknop los en verwijder het kettingwieldeksel.
3. De zaagketting moet zich tegenover de richting van de kettingrotatie bevinden. Als deze naar achteren wijzen, moet u de lus omdraaien.
4. Plaats de kettingaandrijvingschakels in de zwaardgroef.
5. Plaats de ketting dusdanig dat er aan de achterzijde van het zaagblad een lus is.
6. Houd de ketting in positie op het zwaard en plaats de lus rond het aandrijfkettingwiel. Breng het zwaard naar beneden zodat de bout door de opening in de bevestigde kettingspanningsinstallatie past.



- Plaats de afdekking van het tandwiel terug en draai vervolgens de vergrendelingsknop van de kettingspanning/geleidedang vast, door deze met de klok mee te draaien totdat deze vastklikt. Controleer regelmatig de kettingspanning. De kettingspanning is correct wanneer de opening tussen de zaag in de ketting en het zwaard tussen de 3 en 4 mm is. Trek de ketting in het midden van de onderste zijde van het zwaard naar beneden (weg van het zwaard) en meet de afstand tussen het zwaard en de kettingsnijders.
- Draai de vergrendelknop van de kettingspanning/geleidedang vast en vergrendel deze door met de klok mee te draaien.

DE KETTINGSPANNING AANPASSEN

Zie pagina 279.

- Ontkoppelt u het product van de stroomtoevoer Draag beschermhandschoenen.
- Draai de vergrendelingsknop van de kettingspanning/geleidedang vast door deze met de klok mee te draaien totdat deze vastklikt. Controleer regelmatig de kettingspanning. De kettingspanning is correct wanneer de opening tussen de zaag in de ketting en het zwaard tussen de 3 en 4 mm is. Trek de ketting in het midden van de onderste zijde van het zwaard naar beneden (weg van het zwaard) en meet de afstand tussen het zwaard en de kettingsnijders.
- Draai de vergrendelknop van de kettingspanning/geleidedang vast en vergrendel deze door met de klok mee te draaien.

OPMERKING: Zorg ervoor dat de balk en het kettingspanningsmechanisme vrij kunnen bewegen zonder vuil en dat de zaagketting correct rond het tandwiel is gelust. Als de kettingspanning te strak of te los is na het vergrendelen van de kettingspanning/vergrendelingsknop van de geleidedang, controleer dan of de geleidedang en het kettingspanningssysteem schoon en correct gemonteerd zijn.

Verwijder indien nodig de afdekking van het tandwiel en de geleidedang om deze te reinigen en monteer vervolgens de onderdelen opnieuw.

BEDIENING

KETTINGSMEEROLIE TOEVOEGEN

Zie pagina 269.

⚠ WAARSCHUWING

Werk nooit zonder kettingsmeerolie. Als de zaagketting zonder smeermiddel dreigt te vallen, kunnen het zwaard en de zaagketting beschadigd raken. Het is van essentieel belang dat voor gebruik van de kettingzaag het oliepeil in het oliepeilglas regelmatig wordt gecontroleerd.

- Maak de omgeving rond de oliedop schoon om vervuiling te vermijden.
- Schroef de dop los en verwijder ze van de olietank.
- Giet de olie in de olietank en controleer de oliepeilmeter.

Zorg ervoor dat er geen vuil in de olietank terecht komt wanneer u de machine met olie vult.

- Plaats de oliedop terug en span aan. Veeg gemorste olie af.
- Een volle olietank stelt u in staat om de zaag gedurende 12 - 18 minuten te gebruiken.

VASTHOUDEN VAN DE KETTINGZAAG

Zie pagina 269.

Houd de kettingzaag altijd vast met de rechterhand op het achterste handvat en de linkerhand op het voorste handvat. Grijp beide handvatten met de duimen en vingers vast en omvat ze volledig. Zorg ervoor dat de linkerhand het voorste handvat vasthoudt en de duim zich onderaan bevindt.

⚠ WAARSCHUWING

Houd het stroomsnoer altijd netjes en weg van het zaagbereik. Naast het risico op elektrocutie, kunnen slordige snoeren ook zorgen voor ongevallen met struikelen en vallen.

STARTEN VAN DE KETTINGZAAG

Zie pagina 269.

- Sluit het product aan op een stopcontact. Zorg ervoor dat de kettingrem zich in de stand draaien bevindt door de hendel/handbeschermer terug te trekken.
- Om het product te starten: Druk op de vergrendeling van de trekker en vervolgens op de aan/uit-trekker.

KETTINGREM CONTROLEREN EN TESTEN

- Activeer de kettingrem door de linkerhand rond het voorste handvat te draaien. Met de achterzijde van uw hand drukt u de kettingremhendel/handbeschermer in de richting van het zwaard terwijl de ketting snel ronddraait. De ketting moet onmiddellijk stoppen met draaien. Zorg ervoor dat u beide handen altijd op de handvatten van de zaag houdt.
- Zet de kettingrem terug in de stand "Draaien" door de bovenkant van de kettingremhendel/handbeschermer vast te nemen en deze in de richting van het voorste handvat te trekken tot u een klik hoort.

⚠ WAARSCHUWING

Als de kettingrem de ketting niet onmiddellijk stopt of als de kettingrem zonder hulp niet in de bedrijfsstand blijft staan, moet u het product vóór ingebruikname naar een erkend servicecentrum brengen voor reparatie.

VERVANGEN VAN DE GELEIDESTANG EN DE ZAAGKETTING

Raadpleeg pagina 277 - 278.

- Ontkoppelt u het product van de stroomtoevoer Draag beschermhandschoenen.
- Ontgrendel de kettingspanning/vergrendelingsknop van de geleidedang door deze tegen de richting van de klok te draaien, totdat de afdekking van het tandwiel loskomt.
- Verwijder het kettingwieldeksel. Verwijder het zwaard

- en de zaagketting van de machine.
4. Verwijder de schroef waarmee de geleidestang aan de kettingspanning is bevestigd. Verwijder de gebruikte balk en de zaagketting op correcte wijze.
 5. Monteer de kettingspanning op de nieuwe balk en draai de schroef vast. Plaats de nieuwe ketting in de correcte richting op het zwaard en zorg ervoor dat de drijfstanden in de zwaardgroef zijn afgelijnd.
 6. Maak het zwaard aan de kettingzaag vast en leg de ketting rond het aandrijfkettingwiel. Plaats het kettingwieldeksel terug.
 7. Draai de vergrendelknop van de kettingspanning/geleidestang vast en vergrendel deze door met de klok mee te draaien.

De kettingspanning is correct wanneer de opening tussen de zaag in de ketting en het zwaard tussen de 3 en 4 mm is. Trek de ketting in het midden van de onderste zijde van het zwaard naar beneden (weg van het zwaard) en meet de afstand tussen het zwaard en de kettingsnijders.

Stel de kettingspanning af. Raadpleeg het hoofdstuk "Kettingspanning afstellen".

WAARSCHUWING

Onjuist slijpen van de ketting vergroot het risico op terugslag.

WAARSCHUWING

Nalatigheid bij het vervangen of repareren van een beschadigde ketting kan resulteren in ernstig letsel.

WAARSCHUWING

De zaagketting is zeer scherp. Draag altijd beschermende handschoenen tijdens het uitvoeren van onderhoud aan de ketting.

KETTINGREM INSPECTEREN EN REINIGEN

Zie pagina 280.

- Houd het kettingremmechanisme altijd schoon door de drijvers vrij van vuil te houden en licht af te borstelen.
- Test altijd de kettingremprestatie na het reinigen. Zie het hoofdstuk "Bediening - Controle en bediening van de kettingrem" in deze handleiding voor meer informatie.

ONDERHOUDSSCHEMA

| Dagelijkse controle | |
|-----------------------|------------------------------------|
| Stroomsnoer op schade | Voor elk gebruik |
| Zaagbladsmering | Voor elk gebruik |
| Kettingspanning | Voor elk gebruik en regelmatig |
| Kettingscherpte | Voor elk gebruik, visuele controle |

| | |
|-----------------------------|------------------|
| Op beschadigde onderdelen | Voor elk gebruik |
| Op losse binders | Voor elk gebruik |
| Kettingremfunctie | Voor elk gebruik |
| Controleer en reinig | |
| Zwaard | Voor elk gebruik |
| Volledige zaag | Na elk gebruik |
| Kettingrem | Elke 5 uur* |

*Uren in gebruik

SYMBOLEN OP HET PRODUCT



Waarschuwing

Om gevaar voor lichamelijk letsel te verminderen dient u deze gebruikshandleiding absoluut goed door te lezen en te begrijpen voordat u het apparaat gaat gebruiken.



Draag gezichts-, gehoor- en hoofdbescherming.



Draag anti-slipschoeisel wanneer u het product gebruikt.



Draag zware, antislip handschoenen.



Verwijder onmiddellijk de stekker uit de contactdoos voor onderhoudswerken of wanneer het snoer is beschadigd of doorsneden.



Pas op voor de terugslag van de kettingzaagmachine en vermijd contact met de zwaardtip.



Stel niet bloot aan regen of vocht.



Houd de kettingzaag altijd met uw twee handen vast bij gebruik.



Gebruik de kettingzaag niet door deze met één hand vast te houden.



Dit apparaat voldoet aan alle geldende normen van Lid-Staat van de Europese Unie waar het werd gekocht.



EurAsian-symbool van overeenstemming



Klasse II-apparaat, dubbele isolatie

EN
FR
DE
ES
IT
NL
PT
DA
SV
FI
NO
RU
PL
CS
HU
RO
LV
LT
ET
HR
SL
SK
BG
UK
TR



Oekraïens conformiteitssymbool



Elektrisch afval mag niet samen met ander huishoudafval worden weggegooid. Gelieve te recycleren indien de mogelijkheid bestaat. Neem contact op met uw lokaal bestuur of handelaar om advies te krijgen over recyclage.



Het gegarandeerde geluidsniveau bedraagt 104 dB (RCS1935B)



Het gegarandeerde geluidsniveau bedraagt 105 dB (RCS2340B)



Zwaard- en kettingsmeermiddel



Kettingrem

Roteren om de geleidebalk te vergrendelen of ontgrendelen



Vergrendeling



Ontgrendelen



Beweegrichting van de ketting. (Gemarkeerd onder het kettingwieldekse)



Draag oog- en gezichtsbescherming.



Draag bescherming voor het bovenlichaam.



Draag beenbescherming.



Product stoppen

De volgende kernwoorden en verklaringen zijn bedoeld om de gevaren die op dit toestel betrekking hebben, te verklaren.

⚠ GEVAAR

Wijst op een gevaarlijke situatie die, als ze niet wordt voorkomen, dodelijk kan zijn of ernstige verwondingen kan veroorzaken.

⚠ WAARSCHUWING

Wijst op een mogelijks gevaarlijke situatie die, als ze niet wordt voorkomen, dodelijk kan zijn of ernstige verwondingen kan veroorzaken.

⚠ LET OP

Wijst op een mogelijks gevaarlijke situatie die, als ze niet wordt voorkomen, kleine of middelmatige verwondingen kan veroorzaken.

LET OP

Zonder veiligheidswaarschuwingssymbool
Wijst op een situatie die kan leiden tot materiële schade.

SYMBOLLEN IN DEZE GEBRUIKSAANWIJZING



Met een contactdoos verbinden



Trek uit de contactdoos



Onderdelen of accessoires afzonderlijk verkocht



Opmerking



Waarschuwing

No design da sua motosserra demos prioridade à segurança, ao desempenho e à fiabilidade.

USO PREVISTO

A motosserra destina-se a ser utilizada apenas ao ar livre. Por razões de segurança, o aparelho tem que ser adequadamente controlado através da operação com as duas mãos em todos os momentos.

Este produto é concebido para cortar ramos, troncos, cepos e vigas de um diâmetro determinado pelo comprimento de corte da barra-guia. Apenas foi concebida para cortar madeira. Só deve ser utilizado em aplicações domésticas por adultos que tenham recebido formação adequada sobre os perigos e medidas/ações preventivas a realizar durante a utilização do produto.

O produto não deve ser usada por crianças ou por pessoas que não usem o equipamento de proteção pessoal e vestuário adequados. Não deve ser usado para serviços profissionais de corte de árvores.

Não a use para nenhuma outra finalidade.

⚠ ADVERTÊNCIA

Ao utilizar o produto, devem seguir-se as normas de segurança. Para sua própria segurança e a dos transeuntes, deve ler e compreender todas estas instruções antes de começar a utilizar o aparelho. Deve participar num curso de segurança organizada profissional sobre a utilização, ações preventivas, primeiros socorros e manutenção de motosserras. Guarde as instruções para usá-las no futuro.

⚠ ADVERTÊNCIA

As moto-serras são ferramentas potencialmente perigosas. Os acidentes que envolvem o uso frequente de moto-serras podem causar a perda de membro ou a morte. A moto-serra não é a única que implica risco. Os ramos que caem, o derrube de árvores, ou troncos a girar podem causar a morte. A madeira doente ou podre implica perigos adicionais. Deve avaliar a sua capacidade para efetuar a tarefa de forma segura. Em caso de dúvida, peça a um profissional de corte de árvores para fazer o trabalho.

AVISOS GERAIS DE SEGURANÇA DA FERRAMENTA ELÉCTRICA

⚠ ADVERTÊNCIA

Leia todos os avisos de segurança e todas as instruções. O facto de não seguir os avisos e as instruções pode conduzir a choque eléctrico, fogo e/ou lesão grave.

ConsERVE estas advertências e instruções para que possa consultá-las mais tarde.

O termo "ferramenta eléctrica" nos avisos refere-se à ferramenta operada através de ligação à rede eléctrica (com fios) ou à ferramenta operada através de bateria

(sem fios).

AMBIENTE DE TRABALHO

- **Mantenha a área de trabalho limpa e bem iluminada.** As áreas desordenadas ou escuras são um convite para acidentes.
- **Não opere ferramentas eléctricas em atmosferas explosivas, tais como na presença de líquidos inflamáveis, gases ou poeira.** As ferramentas eléctricas criam faíscas que podem causar a inflamação de poeiras ou vapores.
- **Ao operar esta ferramenta eléctrica, mantenha as crianças e as pessoas presentes afastadas.** Distrações podem fazer com que perca o controlo.

SEGURANÇA ELÉCTRICA

- **As fichas eléctricas da ferramenta têm de corresponder à tomada. Nunca altere a ficha seja de que maneira for. Não use quaisquer fichas adaptadoras com ferramentas de ligação com terra.** As fichas não modificadas e tomadas compatíveis reduzirão o risco de choque eléctrico.
- **Evite o contacto do corpo com superfícies com ligação terra ou enterradas, tais como tubos, radiadores, fogões e frigoríficos.** Há um aumento do risco de choque eléctrico se o seu corpo estiver ligado à terra.
- **Não exponha este produto à chuva ou humidade elevada.** A entrada de água na ferramenta eléctrica aumentará o risco de choque eléctrico.
- **Não abuse do cabo de alimentação. Nunca use o cabo para carregar, puxar ou retirar a ficha da ferramenta da tomada. Mantenha o cabo afastado do calor, óleo, pontas afiadas ou peças móveis.** Os cabos danificados ou emaranhados aumentam o risco de choque eléctrico.
- **Ao operar uma ferramenta eléctrica ao ar livre, use um cabo de extensão apropriado para o uso ao ar livre.** A utilização de um cabo apropriado para o uso ao ar livre reduz o risco de choque eléctrico.
- **Se operar uma ferramenta eléctrica num local húmido é inevitável, use uma fonte com protecção de dispositivo de corrente residual (RCD).** O uso de um RCD reduz o risco de choque eléctrico.

SEGURANÇA PESSOAL

- **Ao operar esta ferramenta eléctrica, permaneça alerta, tenha em atenção ao que está a fazer e use o bom senso.** Não utilize a ferramenta eléctrica quando se sentir cansado ou se se encontrar sob a influência de drogas, álcool ou medicamentos. Um momento de desatenção enquanto opera estas ferramentas eléctricas pode resultar em ferimentos graves.
- **Utilizar equipamento de protecção. Use sempre protecção para os olhos.** Equipamento de protecção (por exemplo, máscara para poeiras, calçado antiderrapante, capacete ou protecção para os ouvidos) utilizado para as condições adequadas irá reduzir o risco de ferimentos.
- **Evite o arranque involuntário. Assegure-se de**

EN
FR
DE
ES
IT
NL
PT
DA
SV
FI
NO
RU
PL
CS
HU
RO
LV
LT
ET
HR
SL
SK
BG
UK
TR

que o interruptor se encontra na posição de desligado antes de o ligar à fonte de energia e/ou bateria, levantando ou transportando a ferramenta. Transportar ferramentas eléctricas com o seu dedo no interruptor ou ligar à corrente ferramentas eléctricas que têm o interruptor ligado são um convite a acidentes.

- **Remova qualquer chave de ajuste antes de ligar a ferramenta eléctrica.** Uma chave-inglesa ou uma chave colocada numa peça móvel da ferramenta eléctrica pode causar lesões pessoais.
- **Não se aproxime em demasia. Fique sempre bem apoiado nas pernas e não estique demasiado o braço.** Isto possibilita um melhor controlo da ferramenta eléctrica em situações inesperadas.
- **Use roupas adequadas. Não use roupa larga ou acessórios de jóias. Mantenha o seu cabelo, roupa e luvas longe das peças móveis.** A roupa larga, jóias ou cabelo comprido podem ficar presos nas peças móveis.
- **Se são fornecidos os dispositivos para a ligação de espaços de extracção e recolha de pó, assegure-se de que estes se encontram conectados e usados correctamente.** A utilização de um colectador de pó pode reduzir os perigos relacionados com o pó.

UTILIZAÇÃO E MANUTENÇÃO DA FERRAMENTA ELÉCTRICA

- **Não force o produto. Use a ferramenta eléctrica correcta para a sua aplicação.** A ferramenta fará o seu trabalho melhor e de forma mais segura trabalhando ao ritmo para que foi concebida.
- **Não use uma ferramenta caso o interruptor não ligue e desligue a ferramenta eléctrica correctamente.** Qualquer ferramenta eléctrica que não possa ser controlada com o interruptor é perigosa e deve ser reparada.
- **Desligue a ficha da alimentação eléctrica e/ou a bateria da ferramenta antes de proceder a quaisquer ajustes, mudança de acessórios ou de armazenar ferramentas eléctricas.** Estas medidas de segurança preventivas reduzem o risco de arranque accidental da ferramenta eléctrica.
- **Armazene as ferramentas eléctricas fora do alcance das crianças e não permita que pessoas não familiarizadas com a ferramenta eléctrica ou com estas instruções utilizem a ferramenta eléctrica.** As ferramentas eléctricas são perigosas nas mãos de utilizadores inexperientes.
- **Realize a manutenção das ferramentas eléctricas. Verifique se existe desalinhamento ou emperramento das peças móveis, ruptura das peças e qualquer outra condição que possa ter afectado o funcionamento da ferramenta eléctrica. Se danificado, mande a ferramenta eléctrica ser reparada antes de a utilizar.** Muitos acidentes são causados por ferramentas eléctricas com fracas manutenções.
- **Mantenha as ferramentas de corte afiadas e limpas.** É menos provável que as ferramentas de corte com uma correcta manutenção e com pontas de corte afiadas fiquem presas e são mais fáceis de controlar.

- **Utilize a ferramenta, acessórios, peças eléctricas, etc., de acordo com estas instruções, tendo em conta as condições de trabalho e o trabalho que se vai realizar.** O uso da ferramenta eléctrica para as operações diferentes daquelas a que se destina podem causar uma situação perigosa.
- **Mantenha os cabos e as superfícies de agarre secos, limpos e livres de óleo ou gordura.** Os cabos e superfícies de fixação resvaladiças não permitem uma fixação e um controlo seguro da ferramenta em situações inesperadas.

MANUTENÇÃO

- **A manutenção da sua ferramenta eléctrica deve ser efectuada por uma pessoa qualificada para reparações, utilizando apenas peças de substituição idênticas.** Isto assegurará que a segurança da ferramenta eléctrica é mantida.

AVISOS GERAIS DE SEGURANÇA ADICIONAIS

- Algumas regiões têm normas que limitam o uso do produto. Consulte a sua autoridade local para obter informação.
- Nunca permita que crianças ou pessoas que não estejam familiarizadas com estas instruções utilizem o produto. A legislação local pode restringir a idade do operador.
- Certifique-se antes de cada uso que todos os controlos e dispositivos de segurança funcionam corretamente. Não utilize a ferramenta caso o interruptor "off" não pare o motor.
- Quando utilizar o produto, use sempre protecção completa para os olhos e para os ouvidos, luvas resistentes, bem como protecção para a cabeça. Use uma máscara de rosto caso a operação seja poeirenta.
- Não use roupa folgada, calças curtas ou joias de qualquer tipo.
- Prenda o cabelo comprido para que fique acima do nível dos ombros para evitar que fique emaranhado em peças móveis.
- Cuidado com os objetos projetados, voadores ou em queda. Mantenha todos os transeuntes, crianças e animais a uma distância mínima de 15 m da área de trabalho.
- Não utilize esta ferramenta numa zona com pouca luz. O operador necessita de uma visão clara da área de trabalho para identificar potenciais perigos.
- O uso da protecção auditiva reduz a sua capacidade de ouvir avisos (gritos ou alarmes). O operador deve prestar atenção extra àquilo que está a acontecer na área de trabalho.
- Operar ferramentas similares nas proximidades aumenta tanto o risco de lesão auditiva e o potencial para outras pessoas entrarem na sua área de trabalho.
- Mantenha-se bem apoiado e equilibrado. Não se aproxime em demasia. O esticar-se pode resultar em perda de equilíbrio e pode aumentar o risco de ressalto.
- Mantenha qualquer peça em movimento longe do seu próprio corpo.

- Inspeccione a máquina antes de cada uso. Verifique o correto funcionamento de todos os controles, incluindo o travão da corrente. Verifique que não há peças de fixação soltas, assegure-se de que todas as proteções e cabos estão bem fixos. Substitua qualquer peça danificada antes da utilização.
- Não modifique a máquina em qualquer forma nem use peças e acessórios que não sejam recomendados pelo fabricante.
- Um pico de corrente implica flutuações da tensão e pode afetar outros produtos elétricos na mesma linha elétrica. Ligue o produto a uma fonte de alimentação com uma impedância igual ou inferior a 0,33 Ω para minimizar as flutuações de tensão. Para mais esclarecimentos, contacte o seu fornecedor de energia elétrica.

⚠ ADVERTÊNCIA

Se o aparelho cair, sofrer um impacto forte ou começar a vibrar de maneira anormal, pare-o imediatamente e verifique se está danificado ou identifique o motivo da vibração. Qualquer dano deve ser devidamente reparado ou substituído por um centro de assistência autorizado.

- O fornecimento eléctrico deveria efectuar-se através de um dispositivo de corrente residual (RDC) com uma corrente activa não superior a 30 mA.
- Caso precise utilizar uma extensão, assegure-se que esta é adequada para uso no exterior e que tem uma capacidade de corrente suficiente para alimentar o aparelho. Antes de cada uso verifique que não há danos. Mantenha sempre os cabos desenrolados enquanto os utiliza porque os cabos enrolados podem sobreaquecer. Os alargadores não devem ser reparados, devem ser substituídos por outros que sejam equivalentes.
- Se o cabo de corrente ficar danificado, tem obrigatoriamente de ser substituído antes de o produto poder ser utilizado novamente.
- Assegure-se de que o cabo de alimentação está situado de tal maneira que não pode ser danificado ou cortado e que não se pisará, estorvará nem estará submetido a danos ou incómodos.
- Não pegue nem leve o produto pelo cabo eléctrico.
- Não pegue no cabo de alimentação para desligá-lo do fornecimento eléctrico.
- Mantenha o cabo eléctrico afastado do calor, óleo e pontas afiadas.
- Antes de cada uso, examine o cabo para ver se está danificado. Caso existam sinais de danos, este deve ser substituído por um técnico qualificado num centro de assistência autorizado para evitar perigos.

AVISOS DE SEGURANÇA DA MOTOSSERRA

- **Durante a utilização do produto, mantenha todas as partes do seu corpo afastadas da corrente da serra. Antes de iniciar a motosserra, certifique-se que a corrente da serra não se encontra em contacto**

com nada. Um momento de distração ao operar a motosserra pode causar emaranhamento da sua roupa ou corpo com a motosserra.

- **Segure sempre a motosserra com a sua mão direita na pega traseira e com a sua mão esquerda na pega dianteira.** Segurar a motosserra com uma configuração da mão invertida aumenta o risco de lesão pessoal e deva nunca ser feito.
- **Agarre a ferramenta elétrica apenas pelas superfícies de prensão isoladas, porque a corrente da serra pode entrar em contacto com fios condutores ocultos ou com o próprio cabo.** O contacto da motosserra com um cabo com tensão elétrica pode expor as peças metálicas da ferramenta à corrente elétrica, o que pode provocar um choque ao operador.
- **Use óculos de segurança proteção para os ouvidos. Recomenda-se ainda equipamento de proteção para a cabeça, mãos, pernas e pés é recomendado.** A roupa de proteção adequada reduzirá o risco de lesões pessoais causadas por detritos esvoaçantes ou contacto accidental com a motosserra.
- **Não opere uma motosserra numa árvore.** A utilização de uma motosserra enquanto se encontra em cima de uma árvore pode causar lesões pessoais.
- **Mantenha sempre o equilíbrio adequado dos pés e opere a motosserra apenas quando se encontra sobre uma superfície fixa, firme e nivelada.** As superfícies escorregadiças ou instáveis tais como escadas podem causar uma perda de equilíbrio ou o controlo da motosserra.
- **Ao cortar um ramo que esteja sob tensão, esteja alerta para o efeito de ricochete.** Quando a tensão nas fibras de madeira é libertada, o ramo catapultado pode atingir o operador e/ou atirar a motosserra e ficar fora de controlo.
- **Use extrema cautela ao cortar os arbustos e rebentos.** O material delgado pode apanhar a motosserra e ser atirado para si ou tirar-lhe o equilíbrio.
- **Transporte a motosserra pela pega frontal com a motosserra desligada e afastada do seu corpo. Ao transportar ou armazenar a motosserra, coloque sempre a capa da barra guia.** O segurar adequadamente na motosserra reduzirá a probabilidade de contacto accidental com a corrente móvel da serra.
- **Siga as instruções para a lubrificação, tensionamento da corrente e mudança dos acessórios.** Uma corrente com a tensão ou a lubrificação incorretas também pode quebrar ou aumento o risco de ricochete.
- **Mantenha os manipulados secos, limpos e livres de óleo e graxa.** As pegas gordurosas e oleosas são escorregadias, provocando a perda de controlo.
- **Corte apenas madeira. Não utilize a motosserra para fins a que não se destina. Por exemplo, não use a motosserra para cortar plástico, alvenaria ou materiais de construção que não sejam de madeira.** O uso da motosserra para as operações diferentes daquelas a que se destina podem causar uma situação perigosa.

EN
FR
DE
ES
IT
NL
PT
DA
SV
FI
NO
RU
PL
CS
HU
RO
LV
LT
ET
HR
SK
SL
BG
UK
TR

Causas e prevenção do utilizador do ricochete:

Pode ocorrer um coice quando a ponta da barra-guia toca num objecto ou se a corrente da serra ficar entalada e bloquear-se na madeira durante o corte.

O contacto com a ponta, em alguns casos, pode causar uma reacção reversa rapidíssima, fazendo com que a barra guia salte para o operador.

Apertar a corrente da serra ao longo do topo da barra guia pode fazer com que esta recue rapidamente na direcção do operador.

Qualquer uma destas reacções pode fazer com que perca o controlo da serra e levar a graves ferimentos pessoais. Não dependa exclusivamente dos dispositivos de segurança incorporados na sua serra. Enquanto utilizador da serra, deverá tomar uma série de medidas tendentes a garantir que as operações de corte decorrem livres de acidentes ou ferimentos.

O ricochete é o resultado de uma má utilização da ferramenta e/ou condições ou procedimentos de operação incorretos e pode ser evitado tomando as precauções apropriadas conforme indicado abaixo:

- **Segure firmemente, com os polegares e os dedos que cercam as pegadas da motosserra, com ambas as mãos na serra e posicione o seu corpo e braço para permitir-lhe resistir à força do ricochete.** As forças do ricochete podem ser controladas pelo operador, se as precauções apropriadas forem tomadas. Não largue a motosserra.
- **Não se estenda e não corte acima da altura do ombro.** Isto ajuda a impedir o contacto da ponta não intencional e permite um melhor controlo da motosserra em situações inesperadas.
- **Utilize apenas correntes e barras sobressalentes do fabricante.** As barras e as correntes de substituição incorretas podem causar uma rutura da corrente e/ou ricochete.
- **Siga as instruções de afiação e manutenção do fabricante da corrente da serra.** Diminuir a altura do calibre da profundidade pode conduzir a aumentos do ricochete.

ADVERTÊNCIAS ADICIONAIS DE SEGURANÇA DA MOTO-SERRA

- É recomendável cortar os troncos num cavalete de serrador ou num suporte ao operar o aparelho pela primeira vez.
- Certifique-se de todas as proteções, pegadas e para-choques dentado estão devidamente instalados e em boas condições.
- As pessoas que utilizarem o produto devem estar em bom estado de saúde. O produto é pesado, portanto o utilizador tem obrigatoriamente de estar em boa forma física. O operador deve estar alerta, ter boa visão, mobilidade, equilíbrio e destreza manual. Se tiver alguma dúvida, não utilize o produto.
- Não comece a usar o produto até que tenha uma área de trabalho clara, base segura e um caminho de retirada planeada afastado da queda da árvore.
- Cuidado com a emissão da névoa de lubrificante e serrim. Utilize uma máscara ou respirador, se

necessário.

- Se o cabo de alimentação sofrer danos, repare o seu produto exclusivamente num centro de assistência autorizado.
- Mantenha sempre o cabo de alimentação arrumado e afastado da área de corte. Além do perigo de electrocussão, os cabos desarrumados provocam quedas e tropeções.
- Não corte as videiras e/ou mato pequeno (menos de 75 mm de diâmetro).
- Segure sempre a serra com ambas as mãos durante a utilização. Segure firmemente na ferramenta, com os polegares e os dedos envolvendo as pegadas da serra de corrente. A mão direita deve estar na pega traseira e a mão esquerda sobre a pega dianteira.
- Antes de dar arranque ao produto, certifique-se de que a corrente não está em contacto com nenhum objecto.
- Não modifique o produto de forma alguma, nem o utilize com quaisquer acessórios ou dispositivos não recomendados pelo fabricante da serra.
- Deve haver um kit de primeiros socorros que contenha grandes pensos para feridas e um meio para chamar a atenção (por exemplo, um apito) próximo do operador. Um kit maior e mais abrangente deve estar, razoavelmente, nas proximidades.
- Quando utilizar o produto, use sempre um capacete. Um capacete equipado com viseira de rede pode ajudar a reduzir o risco de ferimentos na cara e na cabeça em caso de ressalto.
- Uma corrente incorretamente sujeita a tensão pode saltar fora da barra de guia e pode resultar em ferimentos graves ou morte. O comprimento da corrente depende da temperatura. Verifique a tensão regularmente.
- Deve familiarizar-se com a sua nova motosserra fazendo cortes simples em madeira firmemente apoiada. Faça isto sempre que não tenha operado a serra há algum tempo.
- Para reduzir o risco de ferimentos associados ao contacto com peças móveis, pare sempre o motor, aplique o travão da corrente e retire a ficha da tomada de parede. Certifique-se de que todas as peças em movimento pararam completamente:
 - antes de deixar o produto desacompanhado
 - antes de limpar ou despejar uma obstrução
 - antes de colocar ou tirar acessórios.
 - antes de verificar, fazer a manutenção ou funcionar com o produto
- O tamanho da área de trabalho depende do trabalho a ser realizado, bem como do tamanho da árvore ou da peça alvo da intervenção. Por exemplo, abater uma árvore requer uma maior área de trabalho do que para fazer outros cortes, como por exemplo, cortes de divisão de troncos, etc. O operador precisa estar atento e em controlo de tudo o que está a acontecer nesta área de trabalho.
- Não corte com o seu corpo em linha com a barra de guia e corrente. Caso ocorra um ressalto, isto ajudará a evitar a corrente de entrar em contacto com a sua



cabeca ou corpo.

- Não utilize um movimento de serrar para trás e para a frente, deixe a corrente fazer o trabalho, mantenha a corrente afiada e não tente empurrar a corrente através do corte.
- Não exerça pressão na serra no fim do corte. Prepare-se para aguentar com o peso da serra quando esta se liberta da madeira. O incumprimento desta indicação pode causar possíveis lesões pessoais graves.
- Não pare a serra a meio de uma operação de corte. Mantenha a serra a funcionar até que tenha sido removida do corte.

Equipamento de proteção pessoal

Os equipamentos de proteção individual de boa qualidade, conforme os utilizados por profissionais, ajudarão a reduzir o risco de ferimentos ao operador. Os itens seguintes devem ser utilizados ao operar a sua motosserra:

Capacete de segurança

- deverá cumprir a norma EN 397 e possuir a marcação CE

Proteção auricular

- deverá cumprir a norma EN 352-1 e possuir a marcação CE

Proteção para os olhos e rosto

- devem possuir a marcação CE e cumprir com EN 166 (para óculos de segurança) ou EN 1731 (para viseiras de malha)

Guantes

- deverá cumprir a norma EN381-7 e possuir a marcação CE

Proteção das pernas (perneiras)

- deve cumprir com a norma EN381-5, possuir a marcação CE e fornecer uma proteção completa.

Botas de segurança para motosserra

- deve cumprir com a norma EN ISO 20345:2004 e possuir uma marcação a ilustrar uma motosserra para demonstrar a conformidade com EN 381-3. (Os utilizadores ocasionais podem usar botas de segurança com biqueira de aço com polainas de proteção conformes à EN 381-9, caso o piso seja nivelado e exista pouco risco de tropeçar ou ficar preso na vegetação rasteira)

Casacos próprios para motosserra para proteção da parte superior do corpo

- deverá cumprir a norma EN 381-11 e possuir a marcação CE

INSTRUÇÕES SOBRE AS TÉCNICAS ADEQUADAS PARA ABATE BÁSICO, CORTAR RAMOS E CORTE TRANSVERSAL

Compreender as forças dentro da madeira

Quando compreende as pressões e tensões direcionais dentro da madeira, pode reduzir os "beliscões", ou pelo menos prevê-los durante o corte. A tensão na madeira significa que as fibras estão a ser separadas e se cortar nesta área, a área de separação ("kerf") ou corte tendem a abrir à medida que a serra passa. Se um tronco está a ser apoiado sobre um cavalete e a extremidade está

pendurada sem apoio sobre a extremidade, então a tensão é criada na superfície superior devido ao peso do tronco suspenso, esticando as fibras. Da mesma forma, a parte inferior do tronco estará em compressão e as fibras são empurradas umas contra as outras. Se um corte é feito nesta área, o corte de separação terá tendência a fechar-se durante o corte. Isto iria trilhar a lâmina.

Abater uma árvore

Ver página 273 - 274.

Quando as operações de cortar e abater estão a ser realizadas por duas ou mais pessoas ao mesmo tempo, a operação de abate deve ser separada da operação de corte por uma distância de pelo menos duas vezes a altura da árvore que vai cair. As árvores não devem ser abatidas de alguma forma que possa pôr alguém em perigo, atingir alguma linha de fornecimento ou causar danos de propriedade. Se a árvore entrar em contacto com alguma linha de fornecimento, a empresa deve ser notificada de imediato.

O operador da serra de corrente deve manter-se no lado mais alto de um terreno inclinado, já que é provável que a árvore role ou deslize pelo terreno abaixo aquando do abate.

Um percurso de escape deve ser planeado e desobstruído conforme necessário antes de se iniciar os cortes. O percurso de fuga deve estender-se para trás e na diagonal à traseira da linha de queda prevista.

Antes de iniciar o abate, tenha em conta a inclinação natural da árvore, a localização dos ramos maiores e a direção do vento para avaliar a forma como a árvore irá cair.

Remova a sujidade, pedras, casca solta, pregos, estribos e arames da árvore.

Não tente subir a árvores que tenham apodrecido ou que tenham sido danificadas pelo vento, pelo fogo, por relâmpagos, etc. Isso é extremamente perigoso e só deve ser feito por cirurgiões de árvores profissionais.

- Corte inferior de entalhe

Ver página 273 - 274.

Faça um corte com 1/3 do diâmetro da árvore, perpendicular à direção da queda. Realize o corte de entalhe horizontal inferior primeiro. Isto ajudará a evitar trilhar a corrente da serra ou a barra de guia quando o segundo entalhe está a ser feito.

- Corte pela face oposta

Ver página 273 - 274.

Faça o corte de abate para trás com pelo menos 50 mm (2 polegadas) mais alto do que o corte de entalhadura horizontal. Mantenha o corte de abate para trás paralelo ao corte de entalhadura horizontal. Faça o corte de abate para trás de modo a que resta madeira suficiente para atuar como uma dobradiça. A articulação da madeira evita que a árvore se torça e caia na direção errada. Não corte através da articulação.

À medida que o abate se aproxima da dobradiça, a árvore deve começar a cair. Se houver qualquer possibilidade da árvore não cair no sentido desejado de poder balançar para trás e vincar a motosserra, pare de cortar antes que o corte de abate para trás

| |
|-----------|
| EN |
| FR |
| DE |
| ES |
| IT |
| NL |
| PT |
| DA |
| SV |
| FI |
| NO |
| RU |
| PL |
| CS |
| HU |
| RO |
| LV |
| LT |
| ET |
| HR |
| SL |
| SK |
| BG |
| UK |
| TR |



esteja concluído e use cunhas de madeira, plástico ou alumínio para abrir o corte e deixar cair a árvore sobre a linha desejada.

Quando a árvore começa a cair, remova a motosserra do corte, pare o motor, coloque a motosserra para baixo e, em seguida, use o caminho de retirada planeado. Esteja alerta para ramos suspensos que possam cair e preste atenção ao seu equilíbrio.

Remoção dos sustentáculos

Ver a página 274.

Um sustentáculo é uma raiz de grandes dimensões que se prolonga do tronco da árvore acima do solo. Deverá remover sustentáculos grandes antes de realizar o abate. Efectue primeiro o corte horizontal no sustentáculo e, só depois, o corte vertical. Remova a secção solta da área de trabalho. Siga o procedimento de abate de árvores correcto depois de terem sido removidos os sustentáculos grandes.

Pressão e tracção

A força de reacção é sempre oposta ao sentido de deslocação da corrente. Assim, quando o corte é feito com o bordo inferior da lança, o operador tem de estar pronto para controlar a tendência do produto para avançar (ou seja, afastar-se do operador). Para evitar esse movimento, engate sempre o batente de garras com firmeza. Quando o corte é feito ao longo do bordo superior, o produto poderá ser empurrado para trás (ou seja, aproximar-se do operador). Para evitar isso, certifique-se de que a corrente não fica encravada quando o corte é feito ao longo do bordo superior.

Serra encravada no corte

Pare a motosserra e torne-a segura. Não tente forçar a corrente e a barra do corte, visto que é provável que isto quebre a corrente, a qual pode balançar para trás e atingir o operador. Esta situação ocorre normalmente porque a madeira está incorretamente apoiada e a forçar o corte demasiado perto sob compressão trilhando assim a lâmina. Caso, ao ajustar o suporte não liberte a barra e a corrente, use cunhas de madeira ou uma alavanca para abrir o corte e libertar a serra. Nunca tente iniciar a motosserra quando a barra guia já se encontra num corte ou ranhura.

Deslizamento/Ressalto

Quando a corrente da serra não se enterrar o suficiente durante um corte, a lança de guia pode começar a ressaltar ou a deslizar perigosamente ao longo da superfície do tronco ou do ramo, podendo causar a perda de controlo da motosserra. Para impedir ou reduzir o deslizamento ou o ressalto, use sempre a motosserra com as duas mãos. Certifique-se de que a corrente da serra abre um sulco para o corte.

Nunca corte ramos pequenos e flexíveis com a sua motosserra. O seu tamanho e flexibilidade podem facilmente fazer com que a serra salte na sua direcção ou ligue com força suficiente para causar um ressalto. As melhores ferramentas para esse tipo de trabalho são uma serra manual, tesouras de poda, um machado e outras ferramentas de mão.

Cortar transversalmente um tronco

Ver a página 275.

Decepar consiste em cortar um tronco em comprimentos. É importante certificar-se que o seu equilíbrio é firme e que o seu peso está distribuído uniformemente em ambos os pés. Quando possível o tronco deve ser levantado e suportado pelo uso de ramos, troncos ou calços. Siga a instrução simples para um corte fácil. Quando o tronco é suportado ao longo de todo o comprimento, é cortado a partir do topo (overbuck).

Quando o tronco é suportado numa extremidade, corte 1/3 do diâmetro do lado de baixo (underbuck). Em seguida, efectue o corte final overbucking para encontrar o primeiro corte.

Quando o tronco está apoiado em ambas as extremidades, corte 1/3 do diâmetro a partir de cima (overbuck). Em seguida, efectue o corte final underbucking 2/3 mais baixo para encontrar o primeiro corte.

Ao cortar numa inclinação, fique sempre no lado de cima do tronco. Ao cortar transversalmente, para manter o controlo total, liberte a pressão de corte perto da extremidade do corte sem relaxar o seu aperto nas pegas da motosserra. Não deixe a corrente entrar em contacto com o chão. Após ter terminado o corte, aguarde que a corrente da serra pare antes de deslocar a motosserra. Pare sempre o motor antes de se deslocar de árvore em árvore.

Cortar ramos de uma árvore

Ver a página 276.

Desbastar consiste em remover os ramos de uma árvore abatida. Ao desbastar, deixe os ramos maiores inferiores para apoiar o tronco do chão. Remova os ramos com um só corte. Os ramos sob tensão devem ser cortados a partir do fundo para evitar comprometer a motosserra.

Galhos

Ver a página 276.

Um tranchão tensado é qualquer toro, ramo, cepo com raízes ou árvore jovem que está dobrada e tensada por outro lenho e que efectua um movimento de ricochete se o lenho que a estava a segurar for cortado ou removido.

Numa árvore abatida, um cepo com raízes oferece um elevado potencial de regressar à posição vertical num movimento repentino, durante o corte transversal para separar o toro do cepo. Tenha atenção a tranchões tensados, pois são muito perigosos. Não tente cortar ramos dobrados ou troncos sob tensão exceto se estiver profissionalmente capacitado e for competente para o fazer.

⚠ ADVERTÊNCIA

Os tranchões tensados são perigosos, podendo atingir o operador, fazendo com que perca o controlo da serra de corrente. Esta situação poderá conduzir a ferimentos graves ou mesmo mortais. Isto deve ser realizado por utilizadores formados.

TRANSPORTE E ARMAZENAMENTO

Ver página 281 - 284.

- Desligue o produto e retire a ficha do produto da tomada da rede elétrica. Permita que o produto arrefeça antes de guardar ou transportar num veículo.
- Limpe todos os materiais estranhos do produto. Guarde-o num local fresco e seco e bem ventilado a que as crianças não consigam aceder. Mantenha-o afastado de substâncias corrosivas, tais como produtos químicos utilizados em jardinagem e sais de descongelação. Não armazenar ao ar livre.
- Coloque a capa da barra de guia antes de guardar a unidade, ou durante o transporte.
- Para transportar, prenda o aparelho de modo a evitar que este se mova ou caia, para evitar lesões ou danos no produto.

MANUTENÇÃO

Mantenha sempre o produto em bom estado de funcionamento.

⚠ ADVERTÊNCIA

Utilize apenas peças de substituição, acessórios e encaixes do fabricante original. A inobservância desta indicação pode causar um fraco desempenho, possíveis lesões e poderá anular a sua garantia.

⚠ ADVERTÊNCIA

Os serviços de manutenção requerem extremo cuidado e conhecimentos e devem apenas ser realizado por um técnico de assistência qualificado. Repare o seu produto exclusivamente num centro de assistência autorizado. Durante as operações de manutenção, utilize peças de substituição originais do fabricante.

⚠ ADVERTÊNCIA

Antes de fazer limpeza, ajustes, ou manutenção ao produto, desligue o produto da fonte de alimentação. O incumprimento desta instrução pode conduzir a lesões graves.

- Só pode proceder aos ajustes ou reparações descritas neste manual. Para outras reparações, entregue o seu produto exclusivamente a um centro de assistência autorizado.
- O risco potencial de ocorrência de ferimentos graves é aumentado se os dispositivos de segurança não puderem funcionar corretamente, em consequência da manutenção incorreta e da desmontagem ou modificação dos dispositivos de segurança, como por exemplo o travão da corrente, as guardas da mão (dianteira e traseira), o encosto com garras, o apanhador da corrente, a lança de guia e a corrente da serra com ressalto reduzido. Proceda à manutenção e verificações de segurança do produto profissionalmente.

- Afilar a corrente de forma segura é uma tarefa especializada. Assim, o fabricante recomenda vivamente que as correias gastas ou rombas sejam substituídas por novas, disponíveis nos centros de assistência autorizados. O nome da peça encontra-se disponível na tabela de especificações de produto deste manual.
- Siga as instruções para lubrificação e verificação e ajuste da tensão da corrente.
- Limpar o produto com um pano suave seco depois de cada uso.
- Verifique todas as porcas, pregos e parafusos com intervalos frequentes para confirmar a tensão apropriada e se certificar que o equipamento está em condições seguras de funcionamento. Qualquer peça danificada deve ser substituída ou reparada adequadamente por um centro de serviço autorizado.

RISCOS RESIDUAIS:

Mesmo quando se utiliza o produto segundo as instruções, continua a ser impossível eliminar por completo certos fatores de risco residuais. Podem surgir os seguintes riscos durante o uso e o operador deve prestar especial atenção para evitar o seguinte:

- Lesões por vibração
 - Use sempre a ferramenta adequada para o trabalho. Utilize as pegas designadas. Limite o tempo de trabalho e a exposição.
- A exposição ao ruído pode provocar perda de audição.
 - Use proteção para os ouvidos e limite o tempo de exposição
- Contacto com os dentes expostos da serra (perigo de corte).
- Movimentos imprevistos ou ressalto e abruptos da barra guia (perigos de corte).
- Peças ejetadas pela motosserra (perigos de corte/injeção).
- Pedacos projetados da peça de trabalho (lascas de madeira, farpas)
- Inalação de serrim e partículas.
- Contacto da pele com óleo.

REDUÇÃO DO RISCO

Foi reportado que as vibrações das ferramentas de mão podem contribuir para uma doença designada de Síndrome de Raynaud em determinados indivíduos. Os sintomas podem incluir formigamento, entorpecimento e empalidecimento dos dedos, habitualmente visível aquando da exposição ao frio. Estima-se que os fatores hereditários, exposição ao frio e humidade, dieta, tabagismo e práticas de trabalho contribuem todos para o desenvolvimento destes sintomas. Existem medidas que podem ser tomadas pelo operador para possivelmente reduzir os efeitos da vibração:

- Mantenha o seu corpo quente durante o tempo frio. Ao operar a unidade, use luvas para manter as mãos e os pulsos quentes. Encontra-se reportado que o tempo frio é um grande factor que contribui para o Síndrome

EN
FR
DE
ES
IT
NL
PT
DA
SV
FI
NO
RU
PL
CS
HU
RO
LV
LT
ET
HR
SL
SK
BG
UK
TR

de Raynaud.

- Após cada período de operação, exercite para aumentar a circulação sanguínea.
- Faça pausas frequentes no trabalho. Limite o tempo de exposição por dia.
- As luvas protetoras disponíveis nos retalhistas de motosserra profissional são especificamente concebidas para uso de motosserra que dão proteção, boa aderência e também reduzem o efeito de vibração da pega.

Caso sinta algum dos sintomas desta doença, interrompa de imediato a sua utilização e consulte o seu médico sobre estes sintomas.

ADVERTÊNCIA

O uso prolongado de uma ferramenta pode causar o agravar lesões. Ao usar qualquer ferramenta durante períodos prolongados, assegure-se que faz intervalos regulares.

CONHEÇA O SER APARELHO

Ver a página 267.

1. Corrente
2. Barra-guia
3. Guarda-mão frontal/Travão da corrente
4. Pega frontal
5. Libertador do actuador
6. Pega traseira
7. Grampo pára-choques
8. Tampão do óleo da corrente
9. Fixador de cabo
10. Interruptor de gatilho
11. Capa da roda dentada
12. Tensão da correia / Manípulo de bloqueio da barra guia
13. Capa da barra guia
14. Retentor de corrente

DISPOSITIVOS DE SEGURANÇA

Serra de corrente de baixo coice

Uma corrente de serra com reduzido ressalto ajuda a reduzir a possibilidade de um evento de ressalto.

Os limitadores de profundidade à frente de cada dente de corte podem minimizar a força de uma reacção de coice, prevenindo que os dentes de corte penetrem com profundidade na zona de coice. Utilize apenas combinações de barras de guia e correntes de substituição que sejam recomendadas pelo fabricante.

Com a continuação de afiação, as correntes da serra vão perdendo as suas qualidade de baixo coice, sendo necessário empregar cautela adicional. Por sua segurança, substitua as correntes da serra quando diminuir o rendimento de corte.

Grampo pára-choques

O grampo pára-choques integral pode ser usado como uma articulação ao realizar um corte. Ajuda a manter o corpo da motosserra estável durante o corte. Ao cortar, empurre a máquina para a frente até que os picos se introduzam na

borda da madeira e, em seguida, movendo a pega traseira para cima ou para baixo na direcção da linha de corte pode ajudar a aliviar a tensão física do corte

Barras-guia

De modo geral, as barras guia com pontas esféricas pequenas têm menos probabilidades de ressalto. Deve usar uma barra de guia e uma corrente correspondente que seja apenas o suficientemente comprida para o trabalho. As barras mais compridas aumentam o risco de perda de controlo durante o corte de serra. Verifique regularmente a tensão da corrente. Ao cortar ramos mais pequenos (menos que o comprimento total da barra de guia), é provável que a corrente seja projectada caso a tensão não seja a correcta.

Travão da corrente

Os travões de corrente foram concebidos para pararem rapidamente a corrente, impedindo-a de girar. Quando a alavanca do travão da corrente/guarda-mão é empurrada contra a barra, a corrente pára imediatamente. O travão da corrente não impede o coice. Apenas reduz o risco de lesão, caso a barra da corrente entre em contacto com o corpo do operador durante um evento de ressalto. O travão da corrente deve ser testado antes de cada utilização quanto à sua correcta operação em ambas as posições de funcionamento e travagem.

Retentor de corrente

Um apanhador de corrente impede que a corrente da serra seja projectada para trás, na direcção do operador, se a corrente se soltar ou se partir.

MONTAGEM

ADVERTÊNCIA

Se qualquer peça estiver danificada ou em falta, não utilize este produto até as peças serem repostas. A inobservância deste aviso pode resultar em graves ferimentos pessoais.

MONTAR A CORRENTE DA SERRA E A BARRA DE GUIA

Ver página 268 - 269.

1. Desligar a ficha principal. Use luvas de protecção.
2. Desenrosque o botão de bloqueio da barra de guia e retire a roda dentada.
3. A motosserra deve estar virada na direcção da rotação da corrente. Se estiverem virados para trás, vire o anel.
4. Coloque as ligações da direcção da corrente na ranhura da barra.
5. Posicione a corrente, de modo a ficar um anel na parte posterior da barra.
6. Mantenha a corrente no seu lugar sobre a barra e enrole-a no pinhão. Baixe a barra de forma que o perno encaixe no orifício no conjunto de tensão da cadeia.
7. Substitua a tampa da roda dentada e, em seguida, aperte o botão de bloqueio da tensão da correia/barra de guia, rodando-o para a direita até prender na posição. Verifique frequentemente a tensão da correia.



A tensão da corrente está correta quando o espaço livre entre o cortador na corrente e a barra seja de 3 mm a 4 mm. Puxe a corrente no meio do lado inferior da barra para baixo (afastando da barra) e meça a distância entre a barra e os cortadores da corrente.

- Aperte e, em seguida, tranque o botão de bloqueio da tensão da correia/barra de guia, rodando-o para a direita.

AJUSTE DA TENSÃO DA CORRENTE

Ver a página 279.

- Desencaixe a ficha do produto da tomada da rede eléctrica. Use luvas de protecção.
- Para corrigir a tensão da correia, desaperte completamente o botão de bloqueio da tensão da correia/barra de guia e, em seguida, aperte o botão de bloqueio da tensão da correia/barra de guia, rodando-o para a direita até prender na posição. Verifique frequentemente a tensão da correia.

A tensão da corrente está correta quando o espaço livre entre o cortador na corrente e a barra seja de 3 mm a 4 mm. Puxe a corrente no meio do lado inferior da barra para baixo (afastando da barra) e meça a distância entre a barra e os cortadores da corrente.

- Aperte e, em seguida, tranque o botão de bloqueio da tensão da correia/barra de guia, rodando-o para a direita.

NOTA: Certifique-se de que a barra e o conjunto de tensão da corrente se movimentam livremente, não apresentam sujidade e que a correia da serra está corretamente enrolada em torno da roda dentada. Se a correia estiver excessiva ou insuficientemente apertada, depois de prender o botão de bloqueio da tensão da correia/barra de guia, verifique se a barra de guia e o conjunto de tensão da correia estão limpos e corretamente montados.

Se necessário, retire a tampa da roda dentada e a barra de guia para limpeza e, em seguida, monte novamente as peças.

UTILIZAÇÃO

ADICIONAR ÓLEO LUBRIFICANTE DA CORRENTE

Ver a página 269.

⚠ ADVERTÊNCIA

Nunca trabalhe sem lubrificante da corrente. Se a motosserra estiver a funcionar sem lubrificante, a barra guia e a moto-serra podem ficar danificadas. É fundamental verificar frequentemente o nível do óleo no respetivo manómetro e antes de começar a utilizar a serra eléctrica.

- Limpe a superfície ao redor da tampa do óleo para evitar a contaminação.
- Desaparafuse e remova o tampão do depósito do óleo.
- Verta o óleo no depósito de óleo e monitorize o indicador de nível de óleo. Certifique-se que não entra sujidade no depósito de óleo enquanto abastece de óleo.
- Coloque o tampão do depósito de óleo novamente e aperte-o. Limpe qualquer respingo.

- Um depósito cheio de óleo permite que usar a serra durante 12 - 18 minutos.

SEGURAR A SERRA

Ver a página 269.

Segure sempre a motosserra com a sua mão direita na pega traseira e com a sua mão esquerda na pega dianteira. Segure ambas as pegas com os polegares e os dedos que cercam as pegas. Assegure-se de que a sua mão esquerda está a segurar o manípulo frontal de modo a que o polegar esteja por baixo.

⚠ ADVERTÊNCIA

Mantenha sempre o cabo de alimentação arrumado e afastado da área de corte. Além do perigo de electrocussão, os cabos desarrumados provocam quedas e tropeções.

LIGAR A SERRA

Ver a página 269.

- Ligue o produto a uma tomada de parede. Certifique-se de que o travão da corrente se encontra na posição de funcionamento puxando para trás a alavanca/protecção da pega.
- Para dar arranque ao produto: Prima o libertador do gatilho e, em seguida, prima o gatilho do interruptor para ligar/desligar.

VERIFICAÇÃO E FUNCIONAMENTO DO TRAVÃO DE CORREIA

- Acione o travão da corrente rodando a sua mão esquerda ao redor da pega dianteira. Usando a palma da sua mão, empurre a alavanca do travão da corrente/protecção manual na direção da barra enquanto a corrente está a rodar rapidamente. A rotação da correia deve parar imediatamente. Certifique-se que mantém ambas as mãos sobre as pegas da serra em todos os momentos.
- Redefina o travão da corrente de volta para a posição de funcionamento segurando no cimo da alavanca do travão da corrente/protecção manual e puxando em direção à pega dianteira até ouvir um clique.

⚠ ADVERTÊNCIA

Se o travão da correia não parar a correia imediatamente ou se o travão da correia não se mantiver na posição de funcionamento sem assistência, providencie a reparação do produto num centro de assistência autorização antes de utilizar.

SUBSTITUIR A BARRA DE GUIA E A CORREIA DA SERRA

Ver página 277 - 278.

- Desencaixe a ficha do produto da tomada da rede eléctrica. Use luvas de protecção.
- Desprenda o botão de bloqueio da tensão da correia/barra de guia, rodando-o para a esquerda até soltar a tampa da roda dentada.
- Remova a capa da roda dentada. Retire a lâmina e a



- corrente da unidade.
- Retire o parafuso que prende a barra de guia ao conjunto da tensão da correia. Elimine a barra e a correia da serra usadas da forma correta.
 - Monte o conjunto tensor da corrente na barra nova e dê aperto ao parafuso. Coloque a nova corrente na direção correta na barra e certifique-se de que as ligações de transmissão estão alinhadas com a ranhura da barra.
 - Instale a barra na motosserra e enrole a corrente em torno da roda dentada motriz.
Volte a colocar a tampa da roda dentada.
 - Aperte e, em seguida, tranque o botão de bloqueio da tensão da correia/barra de guia, rodando-o para a direita.

A tensão da corrente está correta quando o espaço livre entre o cortador na corrente e a barra seja de 3 mm a 4 mm. Puxe a corrente no meio do lado inferior da barra para baixo (afastando da barra) e meça a distância entre a barra e os cortadores da corrente.

Ajuste a tensão da corrente. Consulte a seção "Ajustar a tensão da corrente".

⚠ ADVERTÊNCIA

Uma afiação inadequada da corrente aumenta o potencial de coice.

⚠ ADVERTÊNCIA

A não substituição ou reparação de uma corrente danificada pode provocar ferimentos graves.

⚠ ADVERTÊNCIA

A corrente da serra é muito afiada. Use sempre luvas de proteção quando realizar trabalhos de manutenção na corrente.

INSPEÇÃO E LIMPEZA DO TRAVÃO DA CORRENTE

Ver a página 280.

- Mantenha sempre o mecanismo de travagem da corrente limpo, escovando levemente a ligação mantendo-a sem sujidade.
- Teste sempre o desempenho do travão da corrente após a limpeza. Para mais informações, consulte a seção "Utilização – Verificar e Utilizar o Travão da Corrente".

CALENDÁRIO DE MANUTENÇÃO

| Verificação diária | |
|---------------------------|--|
| Danos no cabo de corrente | Antes de cada uso |
| Lubrificação da barra | Antes de cada uso |
| Tensão da correia | Antes de cada utilização e frequentemente |
| Afiação da corrente | Antes de cada utilização, verificação visual |

| | |
|--------------------------------|----------------------|
| Por peças danificadas | Antes de cada uso |
| Por fixadores soltos | Antes de cada uso |
| Função de travagem da corrente | Antes de cada uso |
| Inspeccionar e Limpar: | |
| Barra | Antes de cada uso |
| Serra completa | após cada utilização |
| Travão da corrente | Cada 5 horas* |

*Horas de Funcionamento

SÍMBOLOS NO PRODUTO



Aviso

Para reduzir os riscos de ferimentos, é indispensável que leia e compreenda bem este manual de utilização antes de utilizar esta ferramenta.



Coloque proteção para olhos, ouvidos e cabeça.



Utilize calçado de segurança antideslizante quando utilizar este produto.



Use luvas de trabalho resistentes, antideslizantes.



Retire a ficha da corrente de imediato antes da manutenção ou caso o cabo esteja danificado ou cortado.



Tenha cuidado com o ressalto da serra e evite o contacto com o extremo da barra.



Não exponha à chuva ou a condições de humidade.



Segure e utilize a serra de corrente com ambas as mãos.



Não utilize a serra de corrente segurando-a com uma só mão.



Esta ferramenta obedece a todas as normas regulamentares do país da UE onde foi comprada.



Marca de conformidade EurAsian



Ferramenta de tipo II, duplo isolamento



Marca de conformidade ucraniana

001



Os aparelhos eléctricos antigos não devem ser eliminados juntamente com o lixo doméstico. Recicle onde existem instalações para o efeito. Verifique com as suas Autoridades Locais ou revendedor para obter informações sobre reciclagem.



O melhor nível de potência sonora é de 104 dB (RCS1935B)



O melhor nível de potência sonora é de 105 dB (RCS2340B)



Lubrificante para a barra e correia



Travão da corrente

Rode para prender ou desprender a barra de guia



Bloqueio



Abrir



Direcção de movimento da corrente.
(Marque debaixo da tampa do pinhão)



Use proteção para as pernas.



Pare o produto.

As seguintes palavras de sinal e significados destinam-se a explicar os níveis de risco associados a este produto.

⚠ PERIGO

Indica uma situação perigosa iminente, que, se não evitada, poderá resultar em morte ou ferimentos graves.

⚠ ADVERTÊNCIA

Indica uma situação potencialmente perigosa, que, se não evitada, poderá conduzir à morte ou graves lesões.

⚠ ADVERTÊNCIA

Indica uma situação potencialmente perigosa, que, se não evitada, poderá resultar em pequenas ou moderadas lesões.

ADVERTÊNCIA

Sem símbolo de alerta de segurança

Indica uma situação que pode resultar em danos de propriedade.

- EN
- FR
- DE
- ES
- IT
- NL
- PT**
- DA
- SV
- FI
- NO
- RU
- PL
- CS
- HU
- RO
- LV
- LT
- ET
- HR
- SL
- SK
- BG
- UK
- TR

SÍMBOLOS NESTE MANUAL



Ligar à tomada de corrente



Desligar da tomada de corrente



As peças ou acessórios vendem-se separadamente



Nota



Aviso



Use proteção para os olhos e rosto.



Use proteção para a parte superior do corpo.

Ved udformningen af din elektriske kædesav har vi givet topprioritet til sikkerhed, ydelse og driftssikkerhed.

TILTÆNK ANVENDELSESFORMÅL

Den elektriske kædesav er kun beregnet til udendørsbrug. Af sikkerhedshensyn skal produktet altid kontrolleres omhyggeligt ved at fastholde det med begge hænder.

Produktet er beregnet til at save i grene, træstammer, kævlér og bjælker med en diameter, der bestemmes af sværdets savelængde. Den er kun beregnet til skæring i træ. Den skal kun bruges til hjemmebrug af voksne, som har modtaget tilstrækkelig uddannelse i farer og forebyggende foranstaltninger/handlinger, der skal iværksættes ved brug af produktet.

Produktet må ikke bruges af børn eller personer, som ikke bærer tilstrækkeligt med personlige værnemidler og -beklædning. Det må ikke bruges til professionelt træarbejde.

Må ikke bruges til andre formål.

⚠ ADVARSEL

Når produktet anvendes, skal sikkerhedsreglerne efterleves. Af hensyn til egen og andres sikkerhed skal man læse og forstå denne brugsanvisning, inden produktet anvendes. Du bør deltage i et professionelt organiseret sikkerhedskursus i brug, forebyggende foranstaltninger, førstehjælp og vedligeholdelse af kædesave. Disse sikkerhedsregler skal opbevares med henblik på senere brug.

⚠ ADVARSEL

Kædesave er potentielt farlige værktøjer. Ulykker i forbindelse med brug af kædesave medfører ofte tab af lemmer eller død. Det er ikke kun selve kædesaven, som er farlig. Nedfaldende grene, væltende træer, rullende træstammer kan alt sammen være dræbende. Dødt eller råddent træ udgør også faremomenter. Man skal vurdere, om man føler sig i stand til at fuldføre opgaven på sikker vis. Hvis der er den mindste tvivl, skal man overlade opgaven til en professionel trækirurg.

GENERELLE SIKKERHEDSADVARSLER FOR EL-VÆRKTØJ

⚠ ADVARSEL

Alle sikkerhedsadvarsler og alle anvisninger skal læses. Manglende overholdelse af advarslerne og anvisningerne kan medføre elektrisk stød, brand og/eller alvorlige personskader.

Gem vejledningen med advarsler og anvisninger til senere opslag.

Med udtrykket "elværktøj" i advarslerne henvises til dit lysnet-drevne (via ledning) elværktøj eller batteridrevne (ledningsfri) elværktøj.

ARBEJDSOMGIVELSER

- **Hold arbejdsområdet rent og godt oplyst.** Rodede eller mørke områder inviterer til ulykker.
- **Brug ikke elværktøjer i eksplosive omgivelser som fx i nærheden af brandbar væske, gas eller støv.** Elværktøjer udløser gnister, som kan antænde støvet eller dampene.
- **Der må ikke være børn og tilskuere i nærheden, når et elværktøj anvendes.** Distractioner kan medføre, at du mister kontrollen.

ELEKTRISK SIKKERHED

- **Elværktøjets elstik skal passe til elnetkontakten. Elstikket må aldrig modificeres på nogen som helst måde. Undlad brug af adapterstik til jordede (stelforbundne) elværktøjer.** Umodificerede elstik og passende elnetkontakter reducerer faren for elektrisk stød.
- **Undgå kropskontakt med jordede eller stelforbundne overflader som fx rør, radiatorer, komfurer og køleskabe.** Der er forøget risiko for elektrisk stød, hvis din krop er forbundet med jord eller stel.
- **Dette produkt må ikke udsættes for regn eller fugt.** Hvis der trænger vand ind i et elværktøj, øges faren for elektrisk stød.
- **Undlad at misbruge ledningen. Ledningen må aldrig bruges til at bære eller trække i elværktøjet eller til at trække stikket ud. Ledningen må ikke komme i nærheden af varme, olie, skarpe kanter eller bevægelige dele.** Beskadigede eller sammenfiltrede ledninger øger faren for elektrisk stød.
- **Når et elværktøj anvendes i det fri, skal der bruges en forlængerledning, der er egnet til udendørs brug.** Brug af ledninger beregnet til udendørs brug reducerer faren for elektrisk stød.
- **Hvis man er nødt til at bruge et elværktøj i fugtige omgivelser, skal strømforsyningen have en fejlstrømsafbryder (RCD-afbryder).** Brug af fejlstrømssikring reducerer faren for elektrisk stød.

PERSONLIG SIKKERHED

- **Når man bruger et elværktøj, skal man være agtpågivende, iagttage hvad man gør og bruge sund fornuft. Undlad at bruge et elværktøj, hvis du er træt eller påvirket af narkotika, alkohol eller medikamenter.** Et øjebliklig uopmærksomhed under brug af motoriserede værktøjer kan medføre alvorlige personskader.
- **Brug personlige værnemidler. Brug altid øjenværn.** Personlige værnemidler som støvmaske, skridsikre sikkerhedssko, beskyttelseshjelm eller høreværn anvendt under de rette betingelser nedsætter antallet af personskader.
- **Forebyg utilsigtet start. Kontrollér, at kontakten er i pos. OFF (=slukket), inden værktøjet sluttes til strømkilde og/eller batteri, samles op eller bæres.** At bære elværktøjer med fingeren på kontakten eller at slutte strøm til elværktøjer med tændt kontakt er at invitere til ulykker.

- Fjern evt. skruenøgler, inden der tændes for elværktøjet. En efterladt skruenøgle fastgjort til en roterende del af elværktøjet kan medføre personskader.
- **Overstræk ikke. Sørg for altid at have godt fodfæste og god balance.** Dette giver bedre kontrol over elværktøjet i uventede situationer.
- **Vær ordentligt klædt på. Bær ikke løstsiddende tøj eller smykker. Sørg for, at hår, tøj og handsker ikke kommer i nærheden af bevægelige dele.** Løstsiddende tøj, smykker eller langt hår kan hænge fast i bevægelige dele.
- Hvis der findes anordninger for tilslutning af støvudsugnings- og -opsamlingsudstyr, skal disse tilsluttes og anvendes korrekt. Brug af støvopsamling kan reducere støvrelaterede faremomenter.

BRUG OG PLEJE AF ELVÆRKTØJ

- Undlad at tvinge produktet. Brug elværktøjet til det tiltænkte anvendelsesformål. Det korrekte elværktøj klarer opgaven bedre og sikrere med den hastighed, det er designet til.
- Elværktøjet må ikke tages i brug, hvis TÆND/SLUK-kontakten ikke virker. Et elværktøj, der ikke kan kontrolleres med TÆND/SLUK-kontakten, er farligt og skal repareres.
- Inden udførelse af justeringer, udskiftning af tilbehør eller opbevaring af elværktøjer skal elstikket trækkes ud af elnetkontakten, og/eller batteriet skal tages ud af elværktøjet. Disse forebyggende sikkerhedsforanstaltninger reducerer faren for utilsigtet start af elværktøjet.
- Når elværktøjer ikke bruges, skal de opbevares utilgængeligt for børn; personer, som ikke er fortrolige med elværktøjet eller denne brugsanvisning, må ikke anvende elværktøjet. Elværktøjer er farlige i hænderne på ukyndige brugere.
- Elværktøjer skal vedligeholdes. Kontrollér, om der er forkert indjusterede eller forbundne bevægelige dele, afbrækkede dele samt andre tilstande, som kan påvirke elværktøjets funktionsmåde. Hvis der konstateres skader, skal elværktøjet repareres inden brug. Mange ulykker skyldes dårligt vedligeholdte elværktøjer.
- Skærende værktøjer skal holdes skarpe og rene. Korrekt vedligeholdte skærende værktøjer med skarpe skær er mindre tilbøjelige til at binde/blokere og er lettere at kontrollere.
- Brug elværktøjet, tilbehøret og værktøjs-bits osv. som foreskrevet i denne brugsanvisning, og tag højde for arbejdsforholdene og den aktuelle arbejdsopgave. Brug af elværktøjet i strid med de tiltænkte anvendelsesformål kan medføre farlige situationer.
- Hold håndtagene og gribebladerne tørre, rene og fri for olie og fedt. Glatte håndtag og gribeblader umuliggør sikker håndtering og kontrol af redskabet i uventede situationer.

VEDLIGEHOLDELSE

- Sørg for, at elværktøjet serviceres af en kvalificeret reparatør, som kun benytter sig af originale reservedele. Herved garanteres sikkerheden for elproduktet.

YDERLIGERE GENERELLE SIKKERHEDSADVARSLER

- Nogle områder har regler, som begrænser brugen af produktet. Forhør dig hos de lokale myndigheder.
- Lad aldrig børn eller personer uden kendskab til brugsanvisningen bruge produktet. Lokale love kan have indflydelse på den tilladte brugerage.
- Inden hver brug skal man kontrollere, at alle betjenings-elementer og alt sikkerhedsudstyr fungerer upåklageligt. Undlad at bruge elværktøjet, hvis motoren ikke kan startes med "SLUK"-kontakten.
- Bær beskyttelsesbriller og høreværn, kraftige, solide støvler og handsker samt hovedbeskyttelse under anvendelsen af dette produkt. Anvend ansigtsmaske hvis det udførte arbejde støver meget.
- Undlad at bære løstsiddende tøj, korte bukser eller smykker af enhver art.
- Langt hår skal bindes op over skulderniveau, så det ikke risikerer at vikles sig ind i bevægelige dele.
- Pas på udslyngede, flyvende eller faldende objekter. Hold alle tilskuere, børn og dyr på en afstand af mindst 15 m fra arbejdsområdet.
- Må ikke anvendes under dårlige lysforhold. Operatøren skal have tydeligt overblik over arbejdsområdet, så han/hun kan identificere evt. faremomenter.
- Vær opmærksom på, at høreværn begrænser evnen til at høre advarsler (alarmer eller råb). Operatøren skal være ekstra opmærksom på, hvad der sker i arbejdsområdet.
- Brug af lignende værktøjer i nærheden øger både risikoen for høreskader og for, at uvedkommende personer kommer ind i dit arbejdsområde.
- Hold et godt fodfæste og balance. Overstræk ikke. Ved at læne sig for langt frem risikerer man at miste balancen og øge risikoen for tilbageslag ("kickback").
- Hold alle lemme dele på afstand af alle bevægelige dele.
- Husk altid at inspicere maskinen inden brug. Kontrollér, at alle betjenings-elementer inkl. kædebremsen fungerer fejlfrit. Kontrollér for løse fastgørelses-elementer og at alle skærme og håndtag er fastgjort ordentligt og sikkert. Udskift evt. beskadigede dele inden brug.
- Undgå at ændre ved maskinen på nogen som helst måde eller at bruge dele og tilbehør, som ikke anbefales af producenten.
- En kortvarig spændingsspids forårsager spændingsudsving og kan påvirke andre elektriske produkter på samme elledning. Tilslut produktet til en strømforsyning med en impedans svarende til 0,33 Ω eller mindre for at minimere spændingsudsving. Kontakt din elforhandler for yderligere oplysninger.

⚠ ADVARSEL

Hvis produktet tabes, udsættes for stød eller begynder at vibrere unormalt, skal man omgående stoppe det og inspicere det for skader eller lokalisere årsagen til vibrationen. Enhver beskadiget del skal repareres ordentligt eller udskiftes på et autoriseret servicecenter.

- Strømmen skal tilføres via et fejlstrømsmodul (RCD) med en udløsestrøm på max 30 mA.
- Hvis man skal bruge en forlængerledning, skal man sikre sig, at den er velegnet til udendørs brug og har en mærkekapacitet, der er tilstrækkelig til at forsyne produktet. Skal kontrolleres for skader inden hver brug. Kablet skal altid ruller helt ud, da oprullede kabler kan blive overophedet. Beskadigede forlængerkabler må ikke repareres, men skal udskiftes med en tilsvarende type.
- Hvis strømkablet bliver beskadiget, skal det udskiftes før brug.
- Kontrollér, at strømforsyningskablet er positioneret, så det ikke kan blive beskadiget af skærende genstande, så ingen træder på det eller falder over det, eller så det ikke på anden måde udsættes for skade eller belastning.
- Produktet må aldrig løftes eller bæres i strømforsyningskablet.
- Træk aldrig i selve kablet, når stikket skal trækkes ud af kontakten.
- Hold strømforsyningsledningen på afstand af varme, olie og skarpe kanter.
- Inden hver brug skal man kontrollere elkablet for evt. beskadigelser. Hvis det opviser tegn på skader, skal det udskiftes af en autoriseret person på et autoriseret servicecenter for at undgå farlige situationer.

SIKKERHEDSADVARSLER VEDR KÆDESAV.

- **Hold alle dele af kroppen på afstand af savkæden ved betjening af produktet. Inden man starter kædesaven, skal man sikre sig, at kæden ikke er i kontakt med noget.** Et øjeblik uopmærksomhed under brug af kædesaven kan betyde, at tøj eller legemsdele filtrer sammen med kædesaven.
- **Hold altid kædesaven med højre hånd på det bagste håndtag og venstre hånd på det forreste håndtag.** Hvis man holder kædesaven omvendt, øges risikoen for personskade, hvorfor man aldrig bør gøre dette.
- **Hold kun på elværktøjet på de isolerede grebflader, fordi savkæden evt. kan komme i berøring med skjulte ledninger eller sin egen ledning.** Savkæder, som kommer i kontakt med en strømførende ledning, kan gøre udsatte metaldele på elværktøjet strømførende og give operatøren elektrisk stød.
- **Benyt sikkerhedsbriller og høreværn. Det anbefales, at man benytter yderligere værnemidler for hoved, hænder, ben og fødder.** Passende beskyttelsestøj vil reducere personskader som følge af flyvende affaldsstykker eller utilsigtet kontakt med savkæden.

- **Undlad at benytte en kædesav oppe i et træ.** Brug af en kædesav oppe i et træ kan medføre personskader.
- **Sørg altid for at have godt fodfæste, og benyt kun saven, når du står på en fast, sikker og plan overflade.** Glatte eller ustabile overflader som fx stiger kan betyde, at man mister balancen eller kontrollen med kædesaven.
- **Når der saves i en gren, der er under spænding, skal man være opmærksom på tilbageslag.** Når spændingen i træfibrene frigøres, risikerer man, at den fjederbelastede gren rammer operatøren, og/eller at kædesaven kommer ud af kontrol.
- **Vær ekstremt forsigtig ved savning af buske og unge træer.** Det slanke materiale kan sætte sig fast i savkæden og blive pisket ind mod dig eller trække dig ud af balance.
- **Kædesaven skal bæres i det forreste håndtag, mens den er slukket, og holdes ud fra kroppen.** Når man transporterer eller opbevarer kædesaven, skal man altid montere sværdskedden. Korrekt håndtering af kædesaven vil reducere sandsynligheden for utilsigtet kontakt med den bevægelige savkæde.
- **Følg vejledningen for smøring, kædestramning og udskiftningsstilbehør.** En forkert spændt eller smurt kæde kan enten knække eller øge risikoen for tilbageslag ('kickback').
- **Hold håndtagene tørre, rene og fri for olie og fedt.** Fedtede og oliebelagte håndtag er glatte og kan betyde, at man mister kontrollen.
- **Der må kun saves i træ. Undlad at bruge kædesaven til formål, den ikke er beregnet til. Undlad fx at bruge kædesaven til at save i plast, murværk eller byggematerialer, der ikke består af træ.** Brug af kædesaven i strid med det tiltænkte anvendelsesformål kan medføre farlige situationer.

Årsager til og operatør-foranstaltninger mod tilbageslag ('kickback'):

Tilbageslag kan forekomme, hvis sværdspiden rammer en fast overflade, eller hvis savkæden kommer i klemme i træet og sidder fast i snittet.

Sværdspids-kontakt kan i visse tilfælde forårsage en pludselig modsat reaktion og kaste sværdet op og ind mod operatøren.

Hvis savkæden blokeres langs toppen af sværdet, risikerer man, at sværdet presses hurtigt tilbage mod operatøren. Begge disse reaktioner kan medføre, at man mister kontrollen over redskabet og føre til alvorlige ulykker, der kan være livsfarlige. MAN MÅ IKKE udelukkende forlade sig på motorsavens indbyggede sikkerhedsanordninger. Som motorsavsbruger bør man overholde nogle bestemte forholdsregler for at minimere ulykkesrisikoen.

Tilbageslag ('kickback') er resultatet af forkert brug af værktøjet og/eller forkerte arbejdsmetoder eller -forhold og kan undgås ved at træffe nedenstående forholdsregler:

- **Bevar et fast greb, med tommelfingre og øvrige fingre omkring kædesavens håndtag, med begge hænder på saven, og placér kroppen og armen på en sådan måde, så du kan modstå tilbageslagskræfterne.** Tilbageslagskræfter kan



kontrolleres af operatøren, hvis der træffes de rigtige forholdsregler. Undlad at slippe kædesaven.

- **Undgå at læne dig for langt frem eller save over skulderhøjde.** Dette hjælper dig med at undgå utilsigtet sværdspejlskontakt og giver dig bedre kontrol med kædesaven i uventede situationer.
- **Brug kun de typer reservesværd og -kæder, der er foreskrevet af producenten.** Ikke-godkendte reservesværd og -kæder kan forårsage kædebrud og/eller tilbageslag ('kickback').
- **Følg kædeproducentens anvisninger for filing og justering af kæden.** Reduktion af dybdeindstillingen kan medføre øget tilbageslag ('kickback').

EKSTRA SIKKERHEDSADVARSLER VEDR. KÆDESÅVEN

- Det anbefales, at man saver kævlér på en savbuk eller i en holder, når man bruger produktet for første gang.
- Sørg for, at alle afskærmninger, håndtag og barkstøtte er korrekt monteret og i god stand.
- Personer, som benytter produktet, skal være sunde og raske. Produktet er tungt, så operatøren skal være i god fysisk form. Operatøren bør være opmærksom, have et godt syn, mobilitet, balance og godt håndelag. Hvis der er den mindste tvivl, skal man undlade at bruge produktet.
- Undlad at bruge produktet, før du har et ryddet arbejdsområde, et sikkert fodfæste og en planlagt flugtvej fra det faldende træ.
- Pas på udledningen af smøremiddeltåge og savsmuld. Benyt evt. maske eller åndedrætsværn.
- Hvis strømkablet bliver beskadiget, må produktet kun serviceres af et autoriseret serviceværksted.
- Hold altid strømforsyningskablet ryddeligt og på afstand af skæreamrådet Ud over fare for elektrisk stød kan rodede kabler forårsage snublefare.
- Undgå at save i vinstokke og/eller lav underskov (mindre end 75 mm i diameter).
- Hold altid kædesaven med begge hænder, når du betjener den. Sørg for, at fingrene omslutter håndtagene helt. Højre hånd skal være på bageste håndtag og venstre hånd på forreste håndtag.
- Sørg for inden start af produktet, at savkæden ikke er i berøring med nogen genstand.
- Produktet må ikke ændres på nogen måde eller anvendes til at drive tilbehør eller enheder, der ikke anbefales af producenten af sav.
- Der bør være en førstehjælpskasse med store bandager og et middel til at tilkalde opmærksomhed (fx fløjte) tæt ved operatøren. Et større og mere omfattende sæt bør være inden for rimelig rækkevidde.
- Brug altid hjelm, når du betjener produktet. En hjelm med visir kan hjælpe til med at reducere risikoen for skader i ansigtet og hovedet, hvis der forekommer tilbageslag.
- En forkert spændt kæde kan springe af sværdet og medføre alvorlige personskader eller dødsfald. Kædens længde afhænger af temperaturen. Kædens spænding skal kontrolleres hyppigt.

- Man skal gøre sig fortrolig med sin nye kædesav ved at foretage simple snit i sikkert fastspændt træ. Dette skal gøres, når man ikke har brugt saven i nogen tid.
- For at reducere risikoen for tilskadekomst i forbindelse med kontakt med bevægelige dele skal du altid stoppe motoren, aktivere kædebremsen og fjerne ledningen fra strømuttaget. Kontrollér, at alle bevægelige dele er standset fuldstændigt:
 - før du går fra produktet
 - ingen rengøring eller afhjælpning af en blokering.
 - inden installation og fjernelse af tilbehørsdele
 - inden kontrol, vedligeholdelse eller arbejde på produktet
- Størrelsen af "arbejdsstedet" afhænger af, hvilken opgave der udføres, og af det pågældende træs eller træstykkets størrelse. Fx kræver fældning af et træ et større arbejdsområde, end når man foretager andre savesnit, dvs. savbuksnit o.lign. Operatøren skal være bevidst om og have kontrol med alt, hvad der sker i arbejdsområdet.
- Undgå at save med kroppen i lige linje med sværdet og kæden. Hvis man kommer ud for tilbageslag ('kickback'), vil dette bidrage til at forebygge, at kæden kommer i kontakt med ens hoved eller krop.
- Undgå at bruge frem- og tilbagegående savebevægelser; lad kæden gøre arbejdet, hold kæden skarp, og forsøg ikke at presse den gennem snittet.
- Undlad at tynde saven nedad i slutningen af snittet. Vær parat til at holde savens vægt, når den saver sig gennem træet. Manglende overholdelse af denne anvisning kan medføre alvorlige personskader.
- Undgå at stoppe saven i midten af en saveoperation. Hold saven kørende, til den er taget ud af saverillen.

Personlige værnemidler

Personlige værnemidler af god kvalitet, som anvendes af professionelle, bidrager til at mindske risikoen for personskader på operatøren. Man bør benytte følgende udstyr, når man arbejder med en kædesav:

Sikkerhedshjelm

- skal opfylde kravene iht. EN 397 og skal være CE-mærket

Høreværn

- skal opfylde kravene iht EN 352-1 og skal være CE-mærket

Øjen- og ansigtssvævn

- skal være CE-mærket og opfylde EN 166 (for sikkerhedsbriller) eller EN 1731 (for visirmasker)

Handsker

- skal opfylde kravene iht. EN381-7 og skal være CE-mærket

Benværn (chaps)

- skal opfylde EN381-5, være CE-mærket og yde allround-beskyttelse.

Sikkerhedsstøvler til kædesave

- skal opfylde EN ISO 20345:2004 og være mærket med et emblem, der forestiller en kædesav og indikerer opfyldelse af EN 381-3. (Løjlighedsvis brugere kan anvende sikkerhedsstøvler med stål-

| |
|-----------|
| EN |
| FR |
| DE |
| ES |
| IT |
| NL |
| PT |
| DA |
| SV |
| FI |
| NO |
| RU |
| PL |
| CS |
| HU |
| RO |
| LT |
| LV |
| ET |
| HR |
| SL |
| SK |
| BG |
| UK |
| TR |



tåkappe sammen med beskyttende gamacher, som opfylder EN 381-9, hvis underlaget er plant, og der er lille risiko for at snuble eller hænge fast i bundvegetationen)

Kædesavsjakker til beskyttelse af overkroppen

- skal opfylde kravene iht EN 381-11 og skal være CE-mærket

VEJLEDNING VEDR. KORREKT TEKNIK TIL GRUNDLÆGGENDE FÆLDNING, AFGRENING OG TVÆRSAVNING

Forståelse af kræfterne i træet

Når man forstår de retningsbestemte trykkræfter og belastninger inde i træet, kan man begrænse "fastklemningerne" eller i det mindste være forbredt på dem under savearbejdet. Spændinger i træet betyder, at fibre trækkes fra hinanden, og hvis man saver i dette område, vil "saverillen" eller snittet være tilbøjelig til at åbne sig, når saven går igennem. Hvis en kævl understøttes på en savbue, og enden rager ud over enden uden understøttelse, og der derefter genereres spænding på den øverste overflade som følge af vægten af den overhængende kævl, vil fibre blive strukket. På samme måde vil kævlens underside blive sammenpresset, så fibre presses sammen. Hvis der foretages et snit i dette område, vil saverillen have tendens til at lukke sig sammen under savningen. Herved vil klingene blive fastklemte.

Fældning af et træ

Se side 273 - 274.

Når der udføres afkortnings- og fældningsarbejde af to eller flere personer på samme tid, skal fældningsarbejdet adskilles fra afkortningsarbejdet med en afstand på mindst to gange højden af det træ, der skal fældes. Træer må ikke fældes på en måde, som kan bringe personer i fare, ramme forsyningslinjer eller forårsage materielle skader. Hvis træet berører en forsyningslinje, skal det pågældende selskab underrettes øjeblikkeligt.

Når man fælder et træ på en skråning, skal man stille sig på den højestliggende side af træet, der sandsynligvis vil rulle eller skride ned af bakke, når det er fældet.

Der skal planlægges og ryddes en flugtvej, inden savningen påbegyndes. Flugtvejen skal forløbe bag ved og diagonalt på bagsiden af den forventede faldlinje.

Før fældningen påbegyndes, skal man tage bestik af træets naturlige hældning, placeringen af større grene samt vindretningen for at vurdere, hvilken vej træet vil falde.

Fjern snavs, sten, løs bark, søm, hæfteklammer og wire fra træet.

Fæld ikke træer, der er rådne eller blevet beskadiget af vind, brand, lynnedslag osv. Dette er meget farligt og bør kun udføres af professionelle trædoktorer.

- Fremstilling af forhug

Se side 273 - 274.

Lav indhakket ved 1/3 af diameteren på træet vinkelret i forhold til faldretningen. Lav først det nederste horisontale forhug. Dette vil hjælpe med at undgå fastklemning af enten savkæden eller sværdet, når man laver det andet forhug.

- Fældnings-baghug

Se side 273 - 274.

Lav fældnings-baghugget mindst 50 mm højere end det horisontale forhug. Sørg for, at fældnings-baghugget er parallelt med det horisontale forhug. Lav fældnings-baghugget således, at der er nok træ tilbage til, at det kan fungere som et hængsel. Hængseltræet forhindrer træet i at vride sig og falde i den forkerte retning. Undgå at save gennem hængslet.

I takt med at fældningen kommer tæt på hængslet, bør træet begynde at falde. Hvis der er nogen som helst risiko for, at træet ikke falder i den ønskede retning, eller at det vipper bagud og binder savkæden, skal man stoppe med at save, inden fældesnittet er færdigt, og i stedet bruge kiler af træ, plast eller aluminium til at åbne snittet og få træet til at falde langs den ønskede faldlinje.

Når træet begynder at falde, fjerner man kædesaven fra snittet, stopper motoren, sætter kædesaven ned, og benytter derefter den planlagte flugtvej. Vær opmærksom på nedfaldende grene, og hold øje med, hvor du træder.

Fjerning af brætrødder

Se side 274.

En brætrød er en af de store rødder, der stikker ud fra træstammen over jorden. De store brætrødder skal saves over, inden træet fældes. Sav først vandret ind og derefter lodret ned i hver brætrød. De opståede, løse rodstykker skal fjernes fra arbejdsområdet. Begynd derefter at fælde træet med brug af korrekt arbejdsteknik.

Skub og træk

Motorsaven vil altid trække modsat kædens omdrejningsretning. Derfor skal operatøren være klar til at kontrollere tendensen for produktet for at kunne trække væk (fremadgående bevægelse) ved skæring af den nederste kant på stangen. Anbring altid stødfangemaglen fast for at undgå en sådan bevægelse. Produktet kan skubbes tilbage (i retning af operatøren) nær der skæres langs den øverste kant. Undgå dette ved at sikre, at kæden ikke sætter sig fast ved skæring langs den øverste kant.

Sav har sat sig fast i saverillen.

Stop kædesaven, og gør den sikker. Man skal undgå at tvinge kæden og sværdet ud af saverillen, da man herved risikerer at knække kæden, som så kan slå tilbage og ramme operatøren. Denne situation opstår normalt, fordi træet er forkeret understøttet og tvinger saverillen til at lukke under sammenpresning og derved fastklemme klingens. Hvis man ikke kan løse sværdet og kæden ved at justere understøttelsen, kan man bruge trækiler eller en løftestang til at åbne saverillen og frigøre saven. Forsøg aldrig at starte kædesaven, når sværdet allerede befinder sig i en saverille eller -fuge.

Skøjten/hoppen

Hvis kædesaven ikke tager fat under et snit, kan sværdet begynde at hoppe eller faretruende glide langs træstammens eller grenens overflade, hvilket kan føre til mistet kontrol over kædesaven. Brug altid kædesaven med begge hænder for at forhindre eller reducere skøjten eller

hoppen. Sørg for, at kædesaven laver en rille til snittet.

Brug ikke kædesaven til at oversave små, fleksible grene eller krat. Deres størrelse og afbøjningsevne kan nemt bevirke, at saven springer tilbage mod dig eller blokerer med tilstrækkelig kraft til at udløse et tilbageslag. Det bedste værktøj til den type arbejde er en håndsav, beskæringssakse, en økse og andet hånd-værktøj.

Afkortning af en stamme

Se side 275.

Med afkortning menes opskæring af en stamme i kortere længder. Det er vigtigt at sikre sig, at man har et solidt fodfæste, og at ens vægt er jævnt fordelt på begge fødder. Stammen bør så vidt muligt løftes og understøttes ved hjælp af grene, kævlere eller klodser. Følg den enkle vejledning for nem savning. Når stammen er understøttet over hele længden, saver man den fra oversiden.

Når stammen er understøttet i den ene ende, saver man 1/3 diameter fra undersiden af stammen. Man afslutter derefter snittet via savning ovenfra ned til det første snit.

Når stammen er understøttet i begge ender, saver man 1/3 diameter fra oversiden af stammen. Man afslutter derefter snittet ved at save de nederste 2/3 nedefra op til det første snit.

Ved afkortning af en stamme, der ligger på en skråning, skal man altid stå på siden oven for stammen. Når man "saver igennem", skal man - for at bevare den fulde kontrol - lette savetrykket nær slutningen af snittet, men uden at slippe grebet om kædesavens håndtag. Undlad at lade kæden røre ved jorden. Efter et udført snit skal man vente, til savkæden stopper, inden man atter bevæger kædesaven. Man skal altid stoppe motoren, inden man går fra træ til træ.

Afgrening af et træ

Se side 276.

Med afgrening menes afsavning af grene fra et fældet træ. Under afgreningen skal man lade de nederste større grene sidde, så stammen holdes oppe fra jorden. Fjern de små grene i ét snit. Grene under spænding skal afsaves nedefra for at undgå, at kædesaven sætter sig fast.

Fjederstænger

Se side 276.

"Træ i spænd" kan være alle slags stammeog grenstykker, stubbe på rødder eller ungtræer, der er bragt i spænd under vægten af et andet træ(stykke), og som vil springe tilbage i den oprindelige stilling, hvis man fælder eller fjerner det træ, der tynger.

Når man laver det sidste snit, inden et fældet træ vælter, vil stubben på rødder sandsynligvis springe tilbage i lodret stilling. Vær på vagt over for træstammer mv. i spænd – de er farlige! Forsøg ikke at skære i bukkede grene eller træstubbe, som er under spænding, med mindre du er fagligt uddannet og kompetent til dette.

⚠ ADVARSEL

Træstammer mv., der står i spænd, er farlige, fordi man risikerer at blive ramt af dem og miste kontrollen over motorsaven. Dette kan medføre alvorlige ulykker, der kann være livsfarlige. Dette må kun gøres af øvede brugere.

TRANSPORT OG OPBEVARING

Se side 281 - 284.

- Stop produktet, træk stikket ud af stikkontakten. Lad produktet køle af inden opbevaring eller transport i et køretøj.
- Afrens alle fremmedlegemer fra produktet. Opbevar den på et køligt, tørt og godt ventileret sted utilgængeligt for børn. Opbevar motorsaven på afstand af ætsende midler som f.eks. havekemikalier og optøningssalt. Må ikke opbevares udendørs.
- Monter sværdskenen inden opbevaring eller transport af enheden.
- Til transport skal man sikre produktet, så den ikke kan bevæge sig eller vælte; dette for at forebygge personskader eller skader på produktet.

VEDLIGEHOLDELSE

Produktet skal altid holdes i god stand.

⚠ ADVARSEL

Brug kun originale reservedele, ekstraudstyr og tilbehør fra producenten. I modsat fald er der fare for personskader, dårlig maskinydelse og annullering af garantien.

⚠ ADVARSEL

Vedligeholdelse kræver stor omhyggelighed og viden og kun bør udføres af en kvalificeret tekniker. Lad kun en autoriseret serviceværksted servicere produktet. Brug kun originale reservedele fra maskinproducenten i forbindelse med servicearbejde.

⚠ ADVARSEL

Afbryd produktet fra strømkilden, før du rengør, foretager justeringer eller udfører vedligeholdelsesarbejde på produktet. Gør man ikke det, er der fare for alvorlige personskader.

- Man kan selv foretage de justeringer eller reparationer, der er beskrevet i denne brugsanvisning. Lad kun et autoriseret servicecenter servicere og reparere produktet.
- Konsekvenser af forkert vedligeholdelse, fjernelse eller ændring af sikkerhedsfunktioner som kædebremse, håndbeskyttelser (for og bag), barkstød, kædefanger, styrestang, savkæde med lavt tilbageslag kan medføre, at sikkerhedsfunktionerne ikke fungerer korrekt og dermed øge faren for alvorlig personskade. Hold

- produktet professionelt vedligeholdt og sikkert.
- Sikker opslibning af kæden kræver specialviden. Producenten anbefaler på det kraftigste, at slidte eller sløve kæder udskiftes med nye, der kan købes hos dit autoriserede servicecenter. Reservodelsnummeret fremgår af produktspecifikationstabellen i denne brugsanvisning.
- Følg vejledningen i smøring og kontrol/justering af kædespænding.
- Produktet skal rengøres med en blød klud efter hver brug.
- Tjek ofte alle møtrikker, bolte og skruer om de sidder godt fast og sørg for at græsslåmaskinen fungerer ordentligt. Enhver del, som bliver beskadiget, skal repareres ordentligt eller udskiftes på et autoriseret servicecenter.

UUNDGÅELIGE RISICI

Selv om produktet anvendes som foreskrevet, er det stadig umuligt at eliminere visse uundgåelige risikofaktorer fuldstændigt. Følgende risici kan opstå under brug, og operatøren bør være særligt opmærksom for at undgå følgende:

- Personskader forårsaget af vibration
 - Brug altid det korrekte værktøj til arbejdsopgaven. Brug de dertil beregnede håndtag. Begræns arbejdstid og udsættelse.
- Eksponering for støj kan medføre høreskader.
 - Benyt høreværn, og begræns eksponering
- Kontakt med eksponerede savtakker på kæden (skærefarer).
- Uforudsete, pludselige bevægelser eller tilbageslag ('kickback') af styresværdet (fare for skæring).
- Dele udslynget fra savkæden (fare for skæring/injektion).
- Udslyngede dele af emnet (træspåner, splinter).
- Inhalering af savstøv og partikler.
- Hudkontakt med olie.

RISIKOREDUKTION

Der er rapporteret om, at vibrationer fra håndholdte værktøjer kan være medvirkende til en lidelse kaldet Raynauds syndrom hos visse personer. Symptomerne herpå kan være prikken, følelsesløshed og blegning af fingrene, der normalt viser sig ved kuldepåvirkning. Faktorer som arvelighed, udsættelse for kulde og fugt, kost, rygning og arbejdsvaner menes alle at medvirke til udviklingen af disse symptomer. Der findes forholdsregler, som operatøren kan træffe for at begrænse påvirkningen fra vibrationer:

- Hold kroppen varm i koldt vejr. Brug handsker, så hænder og vriste holdes varme under arbejdet. Der er rapporteret om, at koldt vejr er en væsentlig faktor til Raynauds syndrom.
- Motionér efter hver arbejdsperiode for at øge blodcirkulationen.
- Hold hyppige arbejds pauser. Begræns eksponeringen for vibrationer pr. dag.

- Beskyttelseshandsker fra professionelle kædesavsforhandlere er designet specielt til kædesavsbrug og yder beskyttelse, godt greb og formindsker desuden effekten af håndtagenes vibrationer.

Hvis du mærker nogen af symptomerne på denne tilstand, skal du straks ophøre med arbejdet og søge læge.

⚠ ADVARSEL

Længere tids brug af et værktøj kan forårsage - eller forværre - personskader. Når man bruger et værktøj i længere perioder ad gangen, skal man huske at holde hyppige pauser.

KEND PRODUKTET

Se side 267.

1. Kæde
2. Sværd
3. Forreste håndskærm/kædebremse
4. Forhåndtag
5. Gashåndtagets udløserknop
6. Baghåndtag
7. Bumper spike
8. Kædeolie-dæksel
9. Ledningsholder
10. Aftrækkerkontakt
11. Kædehjulsskærm
12. Kædestrømning / Låseknop til styresværd
13. Sværdskede
14. Fangetap

SIKKERHEDSUDSTYR

Sikkerhedskæde (lav tilbageslags-effekt)

En low-kickback-savkæde bidrager til at reducere risikoen for tilbageslag ('kickback').

Rytterne (dybdestop), der sidder foran hver af savtænderne, kan mindske tilbageslagseffekten, idet de forhindrer savtænderne i at skære for dybt i det farlige område øverst på sværdspiden. Brug kun de kombinationer af reservesværd og -kæder, der er foreskrevet af producenten.

Man skal være ekstra påpasselig med kæder, der er blevet fileet, da disse har mistet en del af deres evne til at modvirke tilbageslag. Af sikkerhedshensyn skal savkæder udskiftes, så snart deres ydelse aftager.

Bumper spike

Den integrerede "bumper spike" (spids stop til at holde saven stabil ved træ) kan bruges som drejetap, når der skæres. Dette bidrager til at holde selve kædesaven stabil under arbejdet. Når man saver, skal man skubbe maskinen fremad, indtil tænderne griber ind i kanten af træet, og dernæst bevæge det bageste håndtag op eller ned i retning af skærelinjen for at begrænse den fysiske anstrengelse ved savningen.

Sværdtyper

Generelt har styresværd med tyndere spids lavere tendens til tilbageslag ("kickback") Man bør bruge et sværd og en tilhørende kæde, som lige netop er lang nok

til den pågældende arbejdsopgave. Længere svær øger risikoen for at miste kontrollen under savningen. Man skal kontrollere kædespændingen med jævne mellemrum. Når man saver mindre grene (mindre end sværdets fulde længde), er kæden mere tilbøjelig til at springe af, hvis den ikke er korrekt spændt.

Kædebremse

Kædebremsen er beregnet til at standse kæden hurtigt, når gashåndtaget slippes. Når kædebremsegreb/håndskærm skubbes fremad mod sværdet, skal kæden standse øjeblikkeligt. Kædebremsen forhindrer ikke tilbageslag. Dette reducerer kun risikoen for personskader, hvis sværdet skulle komme i kontakt med operatørens krop i tilfælde af et tilbageslag ('kickback'). Kædebremsen skal funktionstestes inden hver brug i både drifts- og bremseposition.

Fangetap

En kædefanger forhindrer savkæden i at blive slynget tilbage mod brugeren, hvis savkæden bliver løs eller knækker.

MONTERING

⚠ ADVARSEL

Hvis dele enten er beskadiget eller mangler, så anvend ikke produktet før disse dele er udskiftet. Manglende overholdelse af denne advarsel kan medføre alvorlig personskade.

MONTERING AF SAVKÆDE OG SVÆRD

Se side 268 - 269.

1. Træk stikket ud af lysnetkontakten. Benyt beskyttelseshandsker.
2. Skru styresværdets låneknop af, og fjern kædehjulsdækslet.
3. Savkæden skal vende i kædens rotationsretning. Hvis de peger i forkert retning, skal kædeløkken vendes om.
4. Anbring kædestyreleddene i sværdrillen.
5. Anbring kæden, så der dannes en løkke bag på sværdet.
6. Hold kæden fast på sværdet, og anbring løkken omkring drivkædehjulet. Sænk sværdet således, at boltene går gennem hullet i det påmonterede kædestrammemodul.
7. Sæt kædehjulsdækslet på plads, og stram derefter kædespændingen/styrestangens låsegreb ved at dreje det med uret, til det låses på plads. Tjek kædespændingen er korrekt, når mellemrummet mellem skåret i kæden og sværdet ligger mellem 3 og 4 mm. Træk ud i kæden midt på undersiden af sværdet (væk fra sværdet), og mål afstanden mellem sværdet og kædens skæretænder.
8. Stram og lås kædespændingen/styrestangens låsegreb ved at dreje det med uret.

JUSTERING AF KÆDESTRAMNING

Se side 279.

1. Træk stikket ud af stikkontakten. Benyt beskyttelseshandsker.

2. Korrigér kædespændingen ved at løsne kædespændingen/styrestangens låsegreb fuldstændigt, og stram derefter kædespændingen/styrestangens greb ved at dreje det med uret, til det låses på plads. Tjek kædespændingen hyppigt. Kædespændingen er korrekt, når mellemrummet mellem skåret i kæden og sværdet ligger mellem 3 og 4 mm. Træk ud i kæden midt på undersiden af sværdet (væk fra sværdet), og mål afstanden mellem sværdet og kædens skæretænder.
3. Stram og lås kædespændingen/styrestangens låsegreb ved at dreje det med uret.

BEMÆRK: Sørg for, at sværd- og kædetilspændingsmekanismen bevæger sig frit uden snavs, og at savkæden er korrekt ført rundt om drivhjulet. Hvis kædespændingen er for stram eller for slap efter låsning af kædespændingen/sværdets låseknop, skal du kontrollere, om sværdet og kædetilspændingsmekanismen er rene og korrekt monteret.

Fjern om nødvendigt drivhjulets dæksel og sværdet for rengøring, og monter derefter delene igen.

VEKSELSTRØM

PÅFØRING AF KÆDESMØREOLIE

Se side 269.

⚠ ADVARSEL

Man må aldrig arbejde uden kædesmøring. Hvis savkæden kører uden smøremiddel, risikerer man at ødelægge sværd og savkæde. Det er vigtigt at kontrollere oliestanden regelmæssigt samt hver gang, før du starter kædesaven.

1. Rens overfladen omkring oliedækslet for at forhindre forurening.
2. Løsn og fjern dækslet fra olietanken.
3. Hæld olie i olietanken, og hold øje med oliestandsmåleren. Sørg for, at der ikke kommer snavs i olietanken under påfyldningen.
4. Påsæt oliedækslet igen, og spænd det fast. Evt. spildt olie tørres af.
5. På en fuld olietank kan man benytte saven i 12 - 18 minutter.

SÅDAN HOLDES KÆDESAVEN

Se side 269.

Hold altid kædesaven med højre hånd på det bagste håndtag og venstre hånd på det forreste håndtag. Grib om begge håndtag, så tommelfingeren og de øvrige fingre omslutter håndtaget. Sørg for, at venstre hånd holder om forhåndtaget, således at tommelfingeren vender nedad.

⚠ ADVARSEL

Hold altid strømforsyningskablet ryddeligt og på afstand af skæreamrådet. Ud over fare for elektrisk stød kan rodede kabler forårsage snublefare.

SÅDAN STARTES KÆDESAVEN

Se side 269.

1. Tilslut produktet til en stikkontakt. Kontrollér, at kædebremsen er i pos. RUN (=kør) ved at trække håndtaget/håndskærmen tilbage.
2. Sådan startes produktet: Tryk på udløseren til aftrækkeren, og tryk derefter på afbryderudløseren

KONTROL OG BETJENING AF KÆDEBREMSE

1. Man aktiverer kædebremsen ved at dreje venstre hånd omkring det forreste håndtag. Med bagsiden af hånden presser man kædebremsehåndtaget/håndbeskyttelsen ind mod sværdet, mens kæden roterer hurtigt. Kæden skal stoppe sin rotation med det samme. Husk altid at holde begge hænder på savens håndtag.
2. Sæt kædebremsen tilbage i pos. Run (=Kør) ved at tage fat i det øverste af kædebremsehåndtaget/håndbeskyttelsen og trække det i retning mod forhåndtaget, til der høres et klik.

⚠ ADVARSEL

Hvis kædebremsen ikke stopper kæden øjeblikkeligt, eller hvis kædebremsen ikke bliver i positionen kør uden hjælp, skal produktet tages til et autoriseret servicecenter og repareres før brug.

SÆT STYRESTANG OG SAVKÆDE PÅ PLADS

Se side 277 - 278.

1. Træk stikket ud af stikkontakten. Benyt beskyttelseshandsker.
2. Lås op for kædespændings/styrestangens låsegreb ved at dreje det mod uret, til kædehjulets dæksel bliver løst.
3. Fjern kædehjulsdækslet. Fjern sværdet og savkæden fra enheden.
4. Fjern skruen, der holder styrestangen til kædestrammerenheden. Bortskaf den brugte stang og savkæde på korrekt måde.
5. Sæt kædestrammerenheden på det nye sværd, og stram skruen. Monter den nye kæde i den rigtige retning på sværdet, og sørg for, at styreleddene indjusteres i sværdrillen.
6. Fastgør sværdet til kædesaven, og sæt kæden på drivkædehjulet
Udskift kædehjulsdækslet.
7. Stram og lås kædespændings/styrestangens låsegreb ved at dreje det med uret.
Kædespændingen er korrekt, når mellemrummet mellem skæret i kæden og sværdet ligger mellem 3 og 4 mm. Træk ud i kæden midt på undersiden af sværdet (væk fra sværdet), og mål afstanden mellem sværdet og kædens skæretænder.
Justér kædespændingen. Se afsnittet "Justering af kædespænding".

⚠ ADVARSEL

Forkert kædefilling øger risikoen for tilbageslag.

⚠ ADVARSEL

Ved at arbejde videre med en beskadiget kæde udsætter man sig for alvorlig ulykkesrisiko.

⚠ ADVARSEL

Savkæden er meget skarp. Brug altid arbejdshandsker, når der udføres vedligeholdelse på kæden.

INSPEKTION OG RENGØRING AF KÆDEBREMSEN

Se side 280.

- Kædebremsens mekanisme skal altid holdes ren ved at børste den fri for snavs.
- Man skal altid funktionsteste bremsen efter rengøring. Der henvises til afsnittet "Betjening - kontrol og betjening af kædebremsen" i denne manual for yderligere informationer.

VEDLIGEHOLDELSESOVSERSIGT

Daglig kontrol

| | |
|-----------------------------|---------------------------------|
| Strømkabel ved beskadigelse | Inden hver brug |
| Stangsmøring | Inden hver brug |
| Kædestramning | Inden hver brug - og hyppigt |
| Kædeskarphed | Inden hver brug, visuel kontrol |
| For beskadigede dele | Inden hver brug |
| For løse spænder | Inden hver brug |
| Kædebremsefunktion | Inden hver brug |
| Kontroller og rengør | |
| Sværd | Inden hver brug |
| Hele saven | Efter hvert brug |
| Kædebremse | Hver 5. time* |

*Driftstimer

SYMBOLER PÅ PRODUKTET



Sikkerheds Varsel



For at mindske risikoen for uheld, så skal brugeren læse og forstå denne brugsanvisning, inden produktet tages i brug.



Benyt øjen-, høre- og hovedværn.



Benyt skridsikkert sikkerhedsfodtøj, når produktet anvendes.



Brug friktionsfri, kraftige handsker.



Træk omgående stikket ud af lysnetkontakten, hvis kablet beskadiges eller skæres over.



Pas på tilbageslag ("kickback") fra kædesaven, og undgå kontakt med sværdspiden.



Må ikke udsættes for regn eller bruges på fugtige steder.



Hold og styr motorsaven med begge hænder.



Anvend aldrig motorsaven med kun én hånd.



Dette redskab overholder alle lovkrav og standarder i det EU-land, hvor det er købt.



EurAsian overensstemmelsesmærke



Klasse II-værktøj, dobbelt-isoleret



Ukrainsk overensstemmelsesmærke



Elektriske affaldsprodukter bør ikke afskaffes sammen med husholdningsaffald. Genbrug venligst hvor faciliteterne tillader dette. Tjek med din lokale kommune eller forhandler for genbrugsråd.



Det garanterede lydeffektniveau er 104 dB (RCS1935B)



Det garanterede lydeffektniveau er 105 dB (RCS2340B)



Sværd- og kædesmørelie



Kædebremse



Drej eller lås styrestangen op



Lås



Oplås



Kædens bevægelsesretning.
(Markeret under kædehjulsdækslet)

SYMBOLER I DENNE BRUGSANVISNING



Tilslut til stikkontakt



Træk stikket ud af stikkontakten



Dele eller tilbehør, der sælges separat



Bemærk



Advarsel



Benyt øjen- og ansigtssværm.



Benyt overkropssværm.



Benyt benværm.



Stop produktet.

De følgende ikoner og betydninger er beregnet til at forklare risikoen involveret i at anvende denne enhed.

⚠ FARE

Indikerer en meget farlig situation, som hvis ikke undgås, kan føre til alvorlige skader og i værste fald døden.

⚠ ADVARSEL

Indikerer en potentielt farlig situation, som hvis ikke undgås, kan føre til alvorlige skader og i værste fald døden.

⚠ PAS PÅ

Indikerer en potentielt farlig situation, som hvis ikke undgås, kan føre til mindre eller moderate skader.

PAS PÅ

Uden sikkerhedsadvarselssymbol

Indikerer en situation, som kan medføre materiel skade.

Säkerhet, prestanda och pålitlighet har fått högsta prioritet vid utformningen av din motorsåg.

ANVÄNDNINGSMÅL

Den motorsågen är endast avsedd för användning utomhus. Av säkerhetsskäl ska produkten hela tiden kontrolleras med båda händerna.

Produkten är designad för att sköra grenar, stammar, stockar och balkar upp till diameter som klingans såglängd. Du får endast såga i trä, inte i några andra material. Den bör endast användas för hushållsbruk av vuxna som har fått tillräcklig utbildning gällande riskerna och de förebyggande åtgärder som ska vidtas vid användning av produkten.

Produkten får inte användas av barn eller av personer som inte tillräcklig personlig skyddsutrustning och -kläder. Den är inte avsedd för yrkesmässigt bruk.

Får ej användas för annat ändamål.

⚠ VARNING

När man använder apparaten måste säkerhetsföreskrifterna följas. För egen och åskådares säkerhet måste du läsa och vara helt införstådd med dessa instruktioner innan du använder produkten. Du bör gå en yrkesmässigt organiserad utbildning för användning, förebyggande åtgärder, första hjälpen och underhåll av motorsågar. Förvara instruktionerna på ett säkert ställe för användning vid senare tillfälle.

⚠ VARNING

Motorsågar är potentiellt mycket farliga redskap. Olyckor med motorsågar leder ofta till stympling eller dödsfall. Det är inte bara kedjan som är farlig. Fallande grenar och träd, rullande stockar kan också döda. Dött eller ruttet timmer är extra farligt. Kontrollera alltid att arbetet kan utföras på säkert sätt. Om du tvekar ska du lämna det till yrkesarbetare.

ALLMÄNNA SÄKERHETSFÖRESKRIFTER FÖR ELVERKTYG

⚠ VARNING

Läs alla säkerhetsvarningar och alla instruktioner. Om du inte följer varningarna och anvisningarna kan du orsaka elektrisk stöt, brand och allvarlig skada.

Spara dessa varningar och instruktioner för senare behov.

Termen "kraftverktyg" i varningarna hänvisar till ditt eldrivna (med sladd) verktyg eller ditt batteridrivna (utan sladd) verktyg.

ARBETSMILJÖ

- **Håll arbetsområdet rent och välupplyst.** Oordnade och mörka områden inbjuder till olyckor.
- **Använd inte kraftverktyg i explosiva atmosfärer, exempelvis i närheten av brännbara vätskor, gaser**

eller damm. Kraftverktyg ger upphov till gnistor vilka kan antända damm eller ångor.

- **Håll barn och åskådare borta när du använder ett kraftverktyg.** Distractioner kan få dig att tappa kontrollen.

ELEKTRISK SÄKERHET

- **Kraftverktygets kontakt måste matcha uttaget. Modifiera inte kontakten på något sätt. Använd inga adapterkontakter med jordade kraftverktyg.** Omodifierade kontakter och matchande uttag minskar risken för elektrisk stöt.
- **Undvik kroppskontakt med jordade ytor, som exempelvis rör, element, spis och kylskåp.** Det föreligger en förhöjd risk för elektrisk stöt om din kropp är jordad.
- **Exponera inte produkten för regn eller våta förhållanden.** Vatten som tränger in i ett kraftverktyg ökar risken för elektrisk stöt.
- **Misshandla inte sladden. Använd aldrig sladden för att bära, dra eller koppla bort kraftverktyget. Håll sladden borta från värme, olja, vassa kanter och rörliga delar.** Skadade eller intrasslade elsladdar ökar risken för elektrisk stöt.
- **Använd en förlängningssladd avsedd för utomhusbruk när du använder kraftverktyget utomhus.** Användning av en sladd lämplig för utomhusbruk minskar risken för elektrisk stöt.
- **Använd en jordfelsbrytare om det är oundvikligt att använda ett kraftverktyg i en fuktig miljö.** Användningen av en jordfelsbrytare minskar risken för elektrisk stöt.

PERSONLIG SÄKERHET

- **Var uppmärksam på vad du gör och använd sunt förnuft när du använder ett kraftverktyg. Använd inte ett kraftverktyg när du är trött eller påverkad av droger, alkohol eller mediciner.** Ett ögonblicks ouppmärksamhet när du använder kraftverktyg kan orsaka allvarlig personskada.
- **Använd skyddsutrustning. Bär alltid ögonskydd.** Skyddsutrustning som en dammskyddsmask, halkfria skyddsskor, en hård hjälm eller hörselskydd som används under lämpliga förhållanden minskar personskador.
- **Förhindra oavsiktlig start. Säkerställ att strömbrytaren är i av-läge innan du ansluter till uttaget och/eller batteripaketet, innan du lyfter upp verktyget och innan du bär det.** Att bära kraftverktyg med fingret på avtryckaren eller kraftverktyg som är igång bjuder in olyckor.
- **Ta bort eventuella justerings- eller skiftnycklar innan du startar kraftverktyget.** En skiftnyckel eller justeringsnyckel som lämnas kvar i en roterande del av kraftverktyget kan orsaka personskada.
- **Sträck dig inte. Ha alltid ett bra fotfäste och en god balans.** Det ger dig bättre kontroll över kraftverktyget i oväntade situationer.
- **Klä dig korrekt. Använd inte löst åtsittande kläder eller smycken. Håll ditt hår, dina kläder och**

handskar borta från rörliga delar. Lössittande kläder, smycken och långt hår kan fastna i rörliga delar.

- **Om några uppsamlingsenheter för damm och avfall medföljer ska dessa vara anslutna och användas på ett korrekt sätt.** Användningen av en dammuppsamlare kan minska dammrelaterade faror.

ANVÄND OCH TA HAND OM KRAFTVERKTYGET

- **Tvinga inte produkten. Använd rätt kraftverktyg för ditt jobb.** Rätt kraftverktyg gör jobbet bättre och säkrare om det används i den takt som det är designat för.
- **Använd inte kraftverktyget om strömbrytaren inte fungerar för att stänga av och sätta på verktyget.** Alla kraftverktyg som inte kan kontrolleras med strömbrytaren är farliga och måste repareras.
- **Koppla från eluttaget och/eller batteripaketet från elverktyget före justering, byte av tillbehör eller förvaring.** Sådana förebyggande åtgärder minskar risken för att kraftverktyget startar oavsiktligt.
- **Förvara avstängda kraftverktyg utom räckhåll för barn och låt inte personer som är obekanta med kraftverktyg, eller dessa instruktioner, använda kraftverktyget.** Kraftverktyg är farliga i händerna på otränade användare.
- **Underhåll dina kraftverktyg. Kontrollera så att inga rörliga delar är felinriktade eller sitter fast, att inga delar har gått sönder samt att ingenting annat föreligger som kan påverka kraftverktygets användning. Reparera kraftverktyget innan användning om det är skadat.** Många olyckor uppstår på grund av dåligt underhållna kraftverktyg.
- **Håll skärverktyg vassa och rena.** Korrekt underhållna skärverktyg med vassa skärkanter fastnar inte lika lätt och är lättare att kontrollera.
- **Använd kraftverktyget, tillbehören och borrspetsar etc. i enlighet med dessa anvisningar och ta hänsyn till arbetsförhållanden och det jobb som ska utföras.** Användning av kraftverktyget till andra saker än det är avsett för kan resultera i en farlig situation.
- **Håll handtag och grepp torra, rena och fria från olja och smörj fett.** Hala handtag och grepp innebär osäker hantering och dålig kontroll över verktyget i oväntade situationer.

UNDERHÅLL

- **Låt en kvalificerad serviceperson serva ditt kraftverktyg med identiska utbytesdelar.** Detta säkerställer att kraftverktygets säkerhet bibehålls.

YTTERLIGARE SÄKERHETS FÖRESKRIFTER

- I vissa regioner finns regleringar som begränsar användning av produkten. Ta kontakt med lokala myndigheter för information.
- Låt aldrig barn eller personer som inte har läst dessa anvisningar använda produkten. Lokala regler kan åldersbegränsa användningen av gräsklipparen.
- Kontrollera före användning så att reglage och säkerhetsanordningar fungerar som de ska. Använd inte verktyget om "Off"-läget inte stoppar motorn.

- Använd komplett ögonskydd och hörselskydd, kraftiga handskar samt hjälm när du använder produkten. Använd en ansiktsmask om användningen är dammig.
- Bär inte löst sittande kläder, korta byxor eller smycken av något slag.
- Sätt upp hår som är längre än till axlarna så att det inte trasslas in i rörliga delar.
- Se upp med kringflygande, ivägkastade och fallande föremål. Se till att alla personer, barn och djur befinner sig minst 15 m från arbetsområdet.
- Använd endast i god belysning. Operatören måste ha god överblick över arbetsområdet för att upptäcka potentiella faror.
- När du använder hörselskydd minskar din förmåga att uppfatta varningar (skrik och alarm). Du måste vara extra uppmärksam på vad som sker i arbetsområdet.
- Användning av liknande maskiner i närheten ökar risken för både hörselskador och för andra personer i närheten av arbetsområdet.
- Bibehåll ett bra fotfäste och bra balans. Sträck dig inte. Sträck dig inte för långt så att du tappar balansen och ökar risken för bakslag.
- Håll alla kroppsdelar borta från rörliga delar.
- Se över maskinen inför varje användning. Se till att alla reglage fungerar som de ska, inklusive kedjebromsen. Kontrollera för lösa fästen, se till att alla skydd och handtag sitter ordentligt på plats. Byt ut eventuella skadade delar före användning.
- Modifiera inte maskinen på något sätt och använd inte delar eller tillbehör som inte rekommenderats av tillverkaren.
- En spänningstopp kan ge spänningsvariationer och påverka andra elektriska produkter i samma elkrets. Anslut verktyget till strömkälla med motstånd motsvarande högst 0,33 Ω för att minimera spänningsvariation. Kontakta din eltekniker för ytterligare klargöranden.

⚠ VARNING

Om produkten tappas, utsätts för hårda slag eller börjar vibrera onormalt mycket ska produkten omedelbart stoppas och kontrolleras för eventuella skador eller orsak till vibrationerna. Eventuella skador ska repareras ordentligt eller bytas ut av ett auktoriserat servicecenter.

- El bör komma ifrån en apparat med residual krets (RCD) med en utlösande strömstyrka ej överstigande 30 mA.
- Om du måste använda förlängningskabel ska du kontrollera att den är för utomhusbruk och har tillräcklig kapacitet för att fungera med verktyget. Kontrollera så det inte finns några skador inför varje användning. Rulla ut kabeln under användning, hoprullad kabel kan överhettas. Skadade förlängningskablar får inte repareras, de ska ersättas med motsvarande typ.
- Om elkabeln skadas måste produkten returneras till auktoriserat servicecenter för reparation eller byte.
- Se till att kabeln är placerad så att den inte kan skadas under arbetet och att ingen kliver på den, ingen

EN
FR
DE
ES
IT
NL
PT
DA
SV
FI
NO
RU
PL
CS
HU
RO
LV
LT
ET
HR
SL
SK
BG
UK
TR

snubblar på den och kabeln inte på något sätt utsätts för påfrestningar.

- Lyft aldrig upp- eller bär produkten i el-kabeln.
- Dra aldrig ur kontakten ur väggen genom att dra i sladden. .
- Håll el-kabeln borta från värme, olja och skarpa kanter.
- Kontrollera alltid elkabeln före användning. Om det finns tecken på skada ska den bytas ut av utbildad tekniker på godkänt servicecenter för att undvika skaderisk.

SÄKERHETSFORESKRIFTER FÖR MOTORSÅG

- **Håll alla delar av kroppen på avstånd från sågkedjan när du använder produkten. Innan du startar motorsågen ska du kontrollera att klingan inte vidrör något.** Ett ögonblick med bristande uppmärksamhet vid användning av motorsåg kan göra att kläder eller kroppsdelar kommer in i sågklingan.
- **Håll alltid motorsågen med höger hand på bakre handtaget och vänster hand på det främre.** Om du håller motorsågen med omvänd fatning ökar risken för personskada. Undvik detta alltid.
- **Håll endast elverktyget i den isolerade greppytan, eftersom sågkedjan kan komma i kontakt med dolda ledningar eller dess egen kabel.** Om klingan kommer i kontakt med en "aktiv" ledning kan metalldelar exponeras och ge användaren en elektrisk stöt.
- **Använd ögon- och hörselskydd. Vi rekommenderar även användning av skydd för huvud, händer, ben och fötter.** Korrekta skyddskläder minskar risken för personskador på grund av kringflygande skräp eller beröring av sågklingan.
- **Använd inte motorsågen i träd.** Användning av motorsåg när användaren befinner sig uppe i ett träd kan leda till personskador.
- **Se till att alltid stå stadigt och använd enbart motorsågen när du står på fast, säkert och jämnt underlag.** Hala eller instabila underlag som stegar kan göra att balansen eller kontroll av motorsågen förloras.
- **Vid kapning av grenar som är belastade ska du vara beredd på att den kan fjädra tillbaka.** När spänningen i träfibrerna lossas kan den belastade grenen slå till användaren och/eller kasta iväg motorsågen.
- **Var extremt försiktig när du kapar buskar och skott.** Det tunnare materialet kan fastna i kedjan och piska till mot dig eller dra dig ur balans.
- **Bär motorsågen i främre handtaget med motorsågen avslagen och håll den borta från kroppen. Vid transport eller förvaring av motorsågen ska alltid sågskyddet vara på.** Korrekt hantering av motorsågen minskar risken för beröring av misstag med sågklingan i rörelse.
- **Följ instruktionerna för smörjning, spänna kedjan och byte av tillbehör.** Felaktigt spänd eller smord kedja kan antingen gå av eller öka risken för bakslag.
- **Håll handtagen torra, rena och fria från olja och fett.** Feta och oljiga handtag kan glida och göra att du förlorar kontroll.
- **Kapa enbart trä. Använd inte motorsågen för annat än avsett. Använd exempelvis inte motorsågen för**

att kapa plats, sten eller byggnadsmaterial som inte är trä. Användning av motorsågen för saker som den inte är avsedd för kan leda till riskfyllda situationer.

Orsaker och förhindran av bakslag:

Ett kast kan uppstå när spetsen på svärdet rör vid ett föremål eller om kedjan kilas fast i träet under arbetet.

Vidröring med spetsen kan orsaka en plötslig omvänd reaktion, slå klingan bakåt och uppåt mot användaren.

Om man nyper sågkedjan längs översidan av guidestaven så kan guidestaven tryckas tillbaka mot operatören.

Båda dessa reaktioner kan medföra förlorad kontroll över sågen, och innebär risk för svåra skador. Förlita dig inte enbart på sågens inbyggda säkerhetsfunktioner. I egenskap av användare av motorsåg, bör du vidta flera olika åtgärder för att hålla alla sågningsarbeten fria från olycksfall och skador.

Bakslag beror på felaktig användning och/eller felaktiga procedurer eller förutsättningar och kan undvikas genom att vidta försiktighetsåtgärder enligt nedan:

- **Ha ett fast grepp med tumme och fingrar runt motorsågens handtag, båda händerna på sågen och se till att kroppen och armarna är beredda på bakslag.** Kraften i bakslag kan kontrolleras av användaren om man vidtar korrekta försiktighetsåtgärder. Släpp inte taget om motorsågen.
- **Sträck dig inte och kapa inte ovanför axelhöjd.** På så sätt undviks önskad beröring med spetsen och det ger bättre kontroll på motorsågen i oväntade situationer.
- **Använd enbart ersättningsklingor och -kedjor som rekommenderas av tillverkaren.** Felaktiga ersättningsklingor och -kedjor kan leda till att kedjan går av och/eller bakslag.
- **Följ tillverkarens anvisningar beträffande slipning och skötsel av sågkedjan.** Minskning av djupet kan leda till ökade bakslag.

YTERLIGARE VARNINGAR GÄLLANDE MOTORSÅGAR

- Vi rekommenderar att kapa stockar på sågbock eller i vaggå första gången produkten används.
- Se till att alla skydd, handtag och spikskydd sitter ordentligt och är i gott skick.
- Personer som använder produkten ska vara friska. Produkten är tung, så operatören måste vara i fysiskt god form. Användaren ska vara alert, ha god syn, mobilitet, balans och kropps kontroll. Om du tvekar, använd inte produkten.
- Börja inte använda produkten innan arbetsområdet är rensat, har säkert fotfäste och en planerad reträttväg bort från fallande träd.
- Se upp för utsläpp av smörjmedel och sågdamm. Använd mask eller respirator vid behov.
- Om strömkabeln blir skadad, måste du lämna produkten på ett auktoriserat servicecenter.
- Elkabeln ska alltid hållas ren och på säkert avstånd från klippområdet. Förutom risk för elstöt kan kablar i ordning innebära risk att snubbla och falla.
- Kapa inte smågrenar eller undervegetation (under 75 mm i diameter).



- Håll alltid motorsågen med båda händerna när du använder den. Håll ett stadigt grepp med tumme och fingrar runt motorsågens handtag. Höger hand på bakre handtaget och vänster hand på främre.
- Före start av produkten, kontrollera att sägkedjan inte är i kontakt med något föremål.
- Modifiera inte produkten på något sätt eller för att strömsätta några tillbehör eller enheter som inte rekommenderas av tillverkaren av sågen.
- Det ska finnas första hjälpen-utrustning med omslag för större sår och sätt att tillkalla hjälp (exempelvis visselpipa) i närheten av användaren. Ett större mer komplett utrustningspaket ska finnas i rimlig närhet.
- Använd alltid hjälm när du använder produkten. En hjälm försedd med ett nätvisir kan hjälpa till att minska risken för skador på ansikte och huvud om det sker en återstuds.
- En felaktigt spänd kedja kan hoppa av klingan och leda till allvarlig personskada eller dödsfall. Kedjans längd är beroende på temperatur. Kontrollera spänningen regelbundet.
- Se till att vänja dig vid en ny motorsåg genom enklare kapning av ordentligt säkrat trä. Gör alltid det när du inte har använt sågen under en längre tid.
- För att minska risken för skador genom kontakt med de rörliga delarna, ska du alltid stoppa motorn, slå på kedjebromsen och dra ur kabeln till fändstiftet. Se till att samtliga rörliga delar har stannat helt:
 - innan produkten lämnas utan uppsikt
 - före rengöring eller rensning av ett stopp
 - före installation och borttagning av tillbehör
 - före kontroll av, rengöring av eller arbete med produkten
- Arbetsområdets storlek beror på det arbete som utförs samt storleken på det träd eller arbetsstycke som sågas. Exempelvis kräver trädfällning större arbetsområde än andra kapningar, som på sågbock etc. Användaren ska vara uppmärksam och ha kontroll på allt som händer på arbetsområdet.
- Kapa inte med kroppen i linje med klingan och kedjan. Om det skulle bli bakslag hjälper detta till att förhindra kedjan att komma i kontakt med ditt huvud eller din kropp.
- Rör inte motorsågen fram och tillbaka vid kapning, låt kedjan arbeta, håll kedjan vass och försök inte trycka igenom klingan genom trä.
- Utsätt inte sågen för tryck i slutet av sågningen. Var beredd på att ta emot den extra vikten av sågen när den går igenom trä. Om du inte följer dessa anvisningar finns det risk för allvarliga personsador.
- Stoppa inte sågen mitt i en kapning. Låt kedjan gå tills den är borttagen från kapet.

Personlig skyddsutrustning

Personlig skyddsutrustning i hög kvalitet, sådan som används yrkesmässigt, hjälper till att minska risken för personskada på användaren. Följande bör användas vid bruk av motorsågen:

Skyddshjälm

- ska uppfylla EN 397 och vara CE-märkt

Hörselskydd

- ska uppfylla EN 352-1 och vara CE-märkt

Ögon- och ansiktsskydd

- ska vara CE-märkta och uppfylla EN 166 (skyddsglasögon) eller EN 1731 (nätvisir)

Arbetshandskar

- ska uppfylla EN381-7 och vara CE-märkt

Benskydd (chaps)

- ska uppfylla EN 381-5, vara CE-märkta och ge allroundskydd.

Skyddsstövlar för motorsågsbruk

- ska uppfylla EN ISO 20345:2004 och vara märkta med en sköld och en motorsåg för att visa att de uppfyller EN 381-3. (Tillfälliga användare kan använda skyddsstövlar med stålåtårta som uppfyller EN 381-9 om underlaget är jämnt och det finns minimal risk för att falla eller fastna i undervegetation)

Motorsågsjacket för skydd av överkroppen

- ska uppfylla EN 381-11 och vara CE-märkt

INSTRUKTIONER FÖR KORREKT TEKNIK VID GRUNDLÄGGANDE TRÄDFÄLLNING, GRENKAPNING OCH KAPNING

Förståelse för de krafter som finns i trä

När man förstår det riktade tryck och påfrestningarna inuti trä kan man minska "klämningar" eller åtminstone vara förberedd på dem vid kapning. Spänningar i träet innebär att fibrer dras isär och om man kapar i det området kommer kapet att öppnas upp allteftersom sågen går igenom. Om en stock stöds på en sågbock och ena änden hänger utan stöd skapas spänning i den övre delen på grund av vikten från överhänget och det sträcker fibrerna. Samtidigt är undersidan av stocken under tryck och fibrerna där trycks samman. Om man kapar i detta område kommer kapet att ha en tendens att stänga sig under kapningen. Och då kommer sågklingan i kläm.

Fälla träd

Se sida 273 - 274

Vid samtidig kapning och fällning som utförs av två personer eller flera ska fällningen skiljas från kapningen med minst dubbla avståndet motsvarande höjden på det träd som fälls. Träden ska inte fällas på så sätt att det utsätter någon person för fara, kan falla över kablar eller orsaka skador på egendom. Om träd skulle komma i kontakt med kablar ska företaget omedelbart meddelas.

Användaren av motorsågen skall hålla sig i terrängens motlutning eftersom trädet med all sannolikhet kommer att rulla eller glida nedåt efter fällningen.

En reträttväg ska finnas planerad och rensad vid behov innan kapning påbörjas. Reträttvägen ska sträcka sig bakåt och diagonalt mot den förväntade fallriktningen.

Innan fällningen kan påbörjas ska den naturliga lutningen på trädet kontrolleras, placering av större grenar och vindriktningen för att bedöma åt vilket håll trädet kommer att falla.

Ta bort skräp, stenar, lösa barkbitar, spikar, klamrar och

| |
|-----------|
| EN |
| FR |
| DE |
| ES |
| IT |
| NL |
| PT |
| DA |
| SV |
| FI |
| NO |
| RU |
| PL |
| CS |
| HU |
| RO |
| LV |
| LT |
| ET |
| HR |
| SK |
| SL |
| BG |
| UK |
| TR |



vajrar från trädet.

Försök inte att fälla ruttna träd eller träd som skadats av vind, brand, blixtnedslag etc. Detta är extremt farligt och skall bara utföras av professionella arborister.

- Skåra underifrån

Se sida 273 - 274

Gör 1/3 utskärning av tråddiametern vinkelrätt mot fallriktningen. Gör den lägre horisontella skåran först. På så sätt kläms inte sågklingan när den andra skåran görs.

- Fällskåra på baksidan

Se sida 273 - 274

Gör fällskåran på baksidan minst 50 mm/2 tum högre upp än den horisontella skåran underifrån. Se till att fällskåran är parallell med horisontella skåran underifrån. Gör fällskåran så att du lämnar tillräckligt med trä för att det ska kunna fungera som gångjärn. Trägångjärnet gör att trädet inte vrider sig och faller i fel riktning. Skär inte igenom gångjärnet.

När fällskåran närmar sig gångjärnet ska trädet börja falla. Om det finns risk att trädet inte kommer att falla i önskad riktning eller det kan gunga tillbaka och klämma fast sågklingan ska du sluta kapa innan fällskåran är klar och använd kilar av trä, plats eller aluminium för att öppna skåran och fälla trädet i önskad riktning.

När trädet börjar falla tar du bort motorsågen från skåran, stoppar motorn, lägger ner motorsågen och använder den planerade reträttvägen. Var uppmärksam på grenar som faller och var du sätter fötterna.

Avlägsna rotben

Se sida 274.

Ett rotben är en stor rot som sticker ut från trädstammen ovan mark. Avlägsna stora rotben före fällning. Gör först ett horisontellt skär i rotbenet och därefter ett vertikalt skär. Avlägsna den resulterande lösa sektionen från arbetsplatsen. Använd korrekt trädfällningsteknik när du har avlägsnat de stora rotbenen.

Dra och skjut

Reaktionskraften är alltid i motsatt riktning till kedjans rörelseriktning. Därför måste operatören vara beredd på att kontrollera produktens tendens att röra sig bort från honom/henne (rörelse framåt) vid sågning med sågsvärdets underkant. Se till att kloanslaget griper tag ordentligt för att undvika en sådan rörelse. Produkten kan tryckas bakåt (mot operatören) vid sågning med överkanten. För att undvika detta, säkerställ att kedjan inte har fastnat vid sågning med överkanten.

Sågen har fastnat i kapet

Stoppa motorsågen och var försiktig. Försök inte tvinga ut klingan ur kapet eftersom kedjan då kan gå av och slå bakåt och träffa användaren. Detta inträffar oftast på grund av att trästycket inte har bra stöd och man försöker tvinga och trycka ned klingan som därvid kommer i kläm. Om korrigerig av stödet inte gör att klingan släpps loss kan du använda träkilar eller någon spak för att öppna kapet och få loss sågen. Försök aldrig starta motorsågen om klingan sitter fast i ett kap eller brott.

Glidning/studs

När motorsågen inte tar i materialet under sågningen kan sågsvärdet börja hoppa eller glida farligt långs med ytan på stammen eller grenen, vilket kan resultera i förlust av kontroll över motorsågen. Använd alltid sågen med båda händerna för att förhindra glidning eller studs. Förvissa dig om att sågen skapar ett spår för sågningen.

Kapa aldrig små, böjliga grenar eller buskar med din motorsåg. Deras storlek och stora böjighet kan få sågen att slungas mot dig eller så kan de tunna grenarna snurra in sig i svärdet och orsaka ett våldsamt kast (kickback). De bästa verktygen för att kapa buskar eller tunna grenar är handsågar, röjsaxar, yxor eller andra liknande verktyg.

Kapa upp en stam

Se sida 275.

Kapa upp är att dela en trästam i delar. Det är viktigt att du har bra fotfäste och att vikten är lika fördelad på båda fötterna. Om det är möjligt ska stocken resas och stöttas med grenar, stockar eller kilar. Följ de enkla anvisningarna för vanlig kapning. Om stocken har stöd över hela längden ska den kapas uppifrån (överkapning).

Om stocken har stöd från ena hållet ska ca 1/3 av diametern kapas underifrån (underkapning). Avsluta sedan med att göra resterande kapning uppifrån så att det möter den första skåran.

Om stocken stöds i båda ändar ska ca 1/3 av diametern kapas uppifrån (överkapning). Avsluta sedan med att göra resterande kapning, 2/3 av diametern, underifrån så att det möter den första skåran.

Om du kapar i en sluttning ska du alltid stå på den övre sidan av stocken. När du "sågar igenom" ska du för att behålla kontrollen släppa på trycket mot slutet av skåran för utan att släppa det fasta greppet om handtagen. Låt inte kedjan komma i kontakt med marken. När du kapat klart ska du vänta tills kedjan stannat innan du flyttar motorsågen. Stoppa alltid motorn när du går från träd till träd.

Kvista av träd

Se sida 276.

Att kvista av träd innebär att grenarna tas bort från ett fällt träd. Vid kvistning ska större nedre grenar lämnas kvar som stöd för stammen på marken. Ta bort de mindre grenarna med ett skär. Grenar i spänning ska kapas nerifrån och upp för att inte motorsågen ska klämmas.

Fjäderstänger

Se sida 276.

Fjädrande trä är alla stockar, grenar, rotade stubbar, eller ungräd som är böjda under spänning av annat trä så att det fjädrar tillbaka om det trä som håller det på plats sågas av eller avlägsnas.

För fallna träd, är det stor risk att en rotad stubbe fjädrar tillbaka under kapning av stocken från stubben. Se upp för fjädrande trä. Det är farligt. Kapa inte krokiga grenar eller bitar som är i spänning om du inte är utbildad för det och har kompetensen.

⚠ VARNING

Fjädrande trä är farligt och kan träffa användaren av sågen så att denne tappar kontrollen över motorsågen. Detta kan medföra svåra eller dödliga skador för användaren av sågen. Det får enbart utföras av utbildad användare.

TRANSPORT OCH FÖRVARING

Se sida 281 - 284

- Stoppa produkten och koppla bort den från strömförsörjningen. Låt produkten svalna före du förvarar eller transporterar den i ett fordon.
- Ta bort allt främmande material från produkten. Förvara den svalt och välventilerat på en plats där barn inte kan komma åt den. Förvara på avstånd från frätande medel, t.ex. trädgårdskemikalier och vägsalt. Förvara den inte utomhus.
- Sätt på sägkylskyddet före förvaring av enheten och under transport.
- Vid transport ska produkten säkras mot rörelser eller fallande för att förhindra personskadorna eller att produkten skadas.

UNDERHÅLL

Se till att produkten alltid är i gott skick.

⚠ VARNING

Använd enbart ersättningsdelar och tillbehör från tillverkaren. Om inte kan det eventuellt orsaka skador, sämre resultat och kan upphäva garantin.

⚠ VARNING

Att serva produkten kräver extrem försiktighet och kunskap och bör endast utföras av en kvalificerad servicetekniker. Produkten får endast repareras på ett auktoriserat servicecenter. Under servicearbete ska enbart tillverkarens originaltillbehör användas.

⚠ VARNING

Koppla från produkten från strömkällan före rengöring, justeringar eller utförande av underhållsarbete på produkten. Om det inte efterlevs kan det leda till allvarlig personskada.

- Du får enbart göra justeringar eller reparationer som nämns i denna manual. För övrig och reparation, låt endast produkten repareras på ett auktoriserat servicecenter.
- Konsekvenser av felaktigt underhåll, borttagning eller ändring av säkerhetsfunktioner som kedjebroms, handskydd (fram och bak), kloanslag, kedjefångare, sågsvärd, sågkedja med låg återstud kan resultera i att säkerhetsfunktionerna inte fungerar som de ska, och därmed öka risken för allvarlig personskada. Underhåll produkten på ett säkert och professionellt sätt.

- Slipa kedjan är en uppgift som kräver stor kunskap. Därför rekommenderar tillverkaren starkt att en sliten eller slö kedja byts ut mot en ny, finns tillgänglig på ditt auktoriserade servicecenter. Artikelnumret finns angivet i specifikationstabellen i manualen.
- Följ instruktionerna för smörjning samt kontroll och justering av kedjespänning.
- Efter rengöring ska maskinen alltid rengöras med en mjuk torr trasa.
- För att vara säker på att maskinen är säker att använda, kontrollera alla muttrar, bultar och skruvar regelbundet för att säkerställa att de är åtdragna ordentligt. Skadade delar skall repareras ordentligt eller bytas ut av en auktoriserad servicefirma.

KVARSTÅENDE RISKER

Även om produkten används enligt instruktionerna går det inte att eliminera alla eventuella riskfaktorer. Följande risker kan uppstå vid användning och operatören ska vara extra uppmärksam för att undvika följande:

- Skada orsakad av vibration
 - Använd alltid rätt verktyg för jobbet. Använd avsedda handtag. Begränsa arbetstid och exponering.
- Exponering för buller kan orsaka hörselskadorna.
 - Använd hörselskydd och begränsa exponeringen
- Kontakt med kedjans exponerade sågtänder (skärningsrisker).
- Oförutsedd, abrupt förflyttning eller återkast av svärdet (risk för kapning).
- Delar skjuts iväg från kedjan (skär-/sticksår).
- Kringkastade delar av arbetsstycket (träflisor, stickor).
- Inandning av sågdamm och -partiklar.
- Hudkontakt med olja.

RISKMINSKNING

Det finns rapporter om att vibrationer från handhållna verktyg kan bidra till ett tillstånd som kallas Raynauds syndrom för vissa personer. Symptomen brukar vara att det sticker i fingrarna och att de domnar bort; fingrarna kan också bli vita, särskilt vid kyla. Årftliga faktorer, kyla och fukt, diet, rökning och arbetsrutiner tros alla bidra till att orsaka dessa symptom. Det finns förebyggande åtgärder som du kan vidta för att försöka minska vibrationernas påverkan:

- Håll dig varm när du arbetar i kallt väder. Använd handskar för att hålla kvar värmen i händer och handleder. Kyla har rapporterats som en viktig del i utvecklandet av Raynauds syndrom.
- Träna och rör på dig efter varje användningstillfälle för att öka blodcirkulationen.
- Ta ofta pauser från arbetet. Begränsa tiden du utsätter dig varje dag.
- Skyddshandskar som köps från motorsågsfackbutik är avsedda specifikt för motorsågsanvändning och ger skydd, bra grepp och minskar påverkan av vibration i handtagen.

Upphör omedelbart om du upplever några av dessa

symptom och uppsök din läkare.

⚠ VARNING

Risk för person- eller slitageskador vid användning av verktyget under lång tid. Om verktyget används under längre perioder krävs regelbundna pauser.

LÄR KÄNNA PRODUKTEN

Se sida 267.

1. Kedja
2. Svärd
3. Främre handskydd/kedjebroms
4. Främre handtag
5. Avtryckarfrigöring
6. Bakre handtag
7. Stötdämpningsspets
8. Kedjeoljelock
9. Kabelvinda
10. Brytarknapp
11. Sågtandskydd
12. Kedjespänning / Låsvred för sågklinga
13. Klingskydd
14. Kedjestoppare

SÄKERHETSENHETER

Sågkedja med låg kastrisk

En såg med "low-kick-back" hjälper till att minska risken för bakslag.

Underställningsklackarna (djupmätarna) framför varje sågtand kan minimera kaststyrkan genom att hindra sågtänderna från att skära för djupt i kastzonen. Använd enbart kombinationer av klinga och kedja som rekommenderas av tillverkaren vid utbyte.

Då sågkedjan slipas, förloras en del av dess antikastegenskaper och extra försiktighet bör iakttagas. För säkerhets skull ska kedjan bytas ut när effekten försämras.

Stötdämpningsspets

Den integrerade stötdämpningsspetsen kan användas som en svängtapp vid sågning. Det hjälper till att hålla motorsågen stabil under kapningen. Vid kapning förs motorsågen framåt tills tänderna biter i träkanten, sedan förs bakre handtaget upp och ned i kapningsriktningen för att minska spänningen i kapningen

Svärd

Generellt har klingor med mindre radie något lägre risk för kickbacks. Använd en guideklinga och en passande kedja som är lagom lång för arbetet. Längre klingor ökar risken för förlorad kontroll under sågning. Kontrollera kedjespänningen regelbundet. Vid kapning av mindre grenar (mindre än klingans halva längd) finns det större risk att kedjan lossnar om inte spänningen är korrekt.

Kedjebroms

Kedjebromsen är utformad för att snabbt stoppa kedjan från att rotera. Då kedjebromsens spak/handskyddet trycks mot svärdet, skall kedjan stanna omedelbart. En kedjebroms förebygger inte kast. Den sänker bara risken

för skada om sågklingan skulle komma i kontakt med användaren vid ett bakslag. Kedjebromsen ska testat före alla användningstillfällen så att den fungerar korrekt i både såg- och bromsläge.

Kedjestoppare

En kedjefångare förhindrar sågens kedja att kastas bakåt mot operatören om kedjan lossnar eller går av.

MONTERING

⚠ VARNING

Om några delar är skadade eller saknas, använd inte denna produkt innan delarna har bytts ut. Att inte följa denna säkerhetsvarning kan leda till allvarlig kroppsskada.

SÄTTA SAMMAN SÅGKEDJAN OCH KLINGAN

Se sida 268 - 269

1. Urkoppling av huvudkontakten. Bär skyddshandskar.
2. Skruva loss vredet för klingan och ta bort sågtandskyddet.
3. Sågkedjan ska vara i samma riktning som kedjans rotation. Vänd på slingan, om de är bakåtriktade.
4. Placera kedjans drivlänkar i spåret.
5. Placera kedjan så att det finns en slinga vid svärdets bakre ände.
6. Håll kedjan på plats på svärdet och lägg öglan runt drivhjulet. Sänk svärdet så att bulten går genom hålet i kedjespänningen.
7. Byt ut kugghjulsskyddet och dra åt låsvredet för kedjespänningen/sågsvärdet genom att vrida det medurs tills det läses på plats. Kontrollera kedjespänningen frekvent.
Kedjespänningen är lagom om glappet mellan kedjan och klingan på mitten är 3-4 mm. Dra i kedjan på mitten av nedre sidan av klingan (bort från klingan) och mät avståndet mellan klingan och kedjans tänder.
8. Dra åt och spänn låsvredet för kedjespänningen/sågsvärdet genom att vrida det medurs.

INSTÄLLNING AV KEDJESPÄNNING

Se sida 279.

1. Koppla bort den från strömförsörjningen. Bär skyddshandskar.
2. För att korrigera kedjespänningen, lossa låsvredet för kedjespänningen/sågsvärdet, dra sedan åt kedjespänningen/sågsvärdet genom att vrida det medurs tills det läses på plats. Kontrollera kedjespänningen frekvent.
Kedjespänningen är lagom om glappet mellan kedjan och klingan på mitten är 3-4 mm. Dra i kedjan på mitten av nedre sidan av klingan (bort från klingan) och mät avståndet mellan klingan och kedjans tänder.
3. Dra åt och spänn låsvredet för kedjespänningen/sågsvärdet genom att vrida det medurs.

ANMÄRKNING: Säkerställ att sågsvärdet och kedjespänningens montering rör sig fritt utan smuts och att sågkedjan är korrekt slingrad runt kugghjulet. Om kedjespänningen sitter för hårt eller för löst efter

låsning av låsvredet för kedjespänningen/sågsvärdet, kontrollera om sågsvärdet och kedjespänningens montering är rena och korrekt monterade.

Om nödvändigt, ta bort kugghjulsskyddet och sågsvärdet för rengöring, återmontera sedan delarna igen.

ANVÄNDNING

SMÖRJA KEDJAN MED OLJA

Se sida 269.

⚠ VARNING

Arbeta aldrig utan smörjolja. Om motorsågen går utan smörjolja kan svärd och sågkedja förstöras. Det är viktigt att kontrollera oljemätarens nivå ofta, och innan du börjar använda motorsågen.

1. Gör rent runt oljelocket för att förhindra nedsmutsning av oljan.
2. Skruva av och ta av locket från oljebehållaren.
3. Håll olja i oljebehållaren och läs av på oljemätaren. Se till att skräp inte kommer in i oljebehållaren under påfyllningen.
4. Sätt tillbaka oljelocket och dra åt det. Torka bort eventuellt spill.
5. En full oljebehållare räcker under 12 - 18 minuter.

HÅLLA MOTORSÅGEN

Se sida 269.

Håll alltid motorsågen med höger hand på bakre handtaget och vänster hand på det främre. Håll i båda handtagen med tummar och fingrar runt om handtagen. Se till att vänster hand håller främre handtaget med tummen nedåt.

⚠ VARNING

Elkabeln ska alltid hållas ren och på säkert avstånd från klippområdet. Förutom risk för elstötar kan kablar i oordning innebära risk att snubbla och falla.

STARTA MOTORSÅGEN

Se sida 269.

1. Anslut produkten till ett strömuttag. Se till att kedjebromsen är satt i löpläget genom att dra tillbaka staget/handskyddet.
2. För att starta produkten: Tryck in reglagefrigöringen och tryck sedan på brytarknappen.

KONTROLLERA OCH ANVÄNDA KEDJEBROMSEN

1. Aktivera kedjebromsen genom att vrida vänster hand runt det främre handtaget. Använd baksidan på handen och tryck kedjebromsreglaget/handskyddet mot staven medan kedjan roterar hastigt. Kedjan ska omedelbart sluta rotera. Var noga med att ha båda händerna på handtagen hela tiden.
2. Återställ kedjebromsen till driftläget genom att ta tag i toppen av kedjebromsreglaget/handskyddet och dra mot främre handtaget tills ett klickande ljud hörs.

⚠ VARNING

Om kedjebromsen inte stoppar kedjan omedelbart, eller om kedjebromsen inte förblir i läget kör utan hjälp, ta med produkten till ett auktoriserat servicecenter för reparation före användning.

BYTA UT SÅGSVÄRDET OCH MOTORSÅGEN.

Se sida 277 - 278

1. Koppla bort den från strömförsörjningen. Bär skyddshandskar.
2. Lås upp låsvredet för kedjespänningen/sågsvärdet genom att vrida det moturs tills kugghjulsskyddet lossnar.
3. Ta bort sågtandskyddet. Ta bort klingan och kedjan från enheten.
4. Ta bort skruven som håller fast sågsvärdet till kedjespänningens montering. Kassera det använda svärdet och sågkedjan på rätt sätt.
5. Montera kedjespänningseenheten på det nya sågsvärdet och dra åt skruven. Sätt på den nya kedjan med rätt riktning på klingan och se till att drivlänkarna ligger rätt i spåren på klingan.
6. Fäst klingan på motorsågen och dra kedjan runt drivhjulet.

7. Dra åt och spänn låsvredet för kedjespänningen/sågsvärdet genom att vrida det medurs.

Kedjespänningen är lagom om glappet mellan kedjan och klingan på mitten är 3-4 mm. Dra i kedjan på mitten av nedre sidan av klingan (bort från klingan) och mät avståndet mellan klingan och kedjans tänder.

Justera kedjespänningen. Se avsnittet "Justera kedjespänningen".

⚠ VARNING

Felaktig slipning av kedjan ökar risken för kast.

⚠ VARNING

Svåra skador kan uppstå om man underlåter att byta ut eller reparera en skadad kedja.

⚠ VARNING

Sågkedjan är mycket vass. Använd alltid skyddshandskar vid underhåll av kedjan.

SE ÖVER OCH RENGÖRA KEDJEBROMSEN

Se sida 280.

- Se till att kedjebromsen alltid är ren genom att borsta av länkarna så de är fria från skräp.
- Prova alltid kedjebromsens funktion efter rengöring. Se avsnittet "Drift - kontrollera och använd kedjebromsen" i denna bruksanvisning för ytterligare information.

EN
FR
DE
ES
IT
NL
PT
DA
SV
FI
NO
RU
PL
CS
HU
RO
LV
LT
ET
HR
SL
SK
BG
UK
TR

UNDERHÅLLSSCHEMA

| Daglig kontroll | |
|------------------------|---------------------------------------|
| Strömkabel vid skada | Före varje användning |
| Svärdsmörjning | Före varje användning |
| Kedjespänning | Före varje användning och regelbundet |
| Kedjeslipning | Före varje användning, visuellt |
| Skadade delar | Före varje användning |
| Lösa fästanelordningar | Före varje användning |
| Kedjebromsfunktionen | Före varje användning |
| Inspektera och rengör | |
| Stöd | Före varje användning |
| Hela sågen | Efter varje användning |
| Kedjebroms | Var femte timma* |

*Användningstimmar

SYMBOLER PÅ PRODUKTEN



Säkerhetsvarning



För att minska risken för skador måste användaren läsa, och förstå användningsmanualen innan han eller hon använder produkten.



Använd alltid ögon-, hörsel- och ansiktsskydd.



Bär halkskyddade säkerhetsskor när du använder produkten.



Används halkfria, grova skyddshandskar.



Koppla bort kontakten från elnätet direkt före underhåll eller om kabeln skulle vara skadad eller avklippt.



Se upp för kickback från motorsågen och undvik kontakt med spetsen.



Utsätt inte för regn eller våta omgivelningar.



Håll i och använd kedjesågen med båda händerna.



Använd inte kedjesågen med bara en hand.



Detta verktyg uppfyller alla standarder i de EU-länder där det kan köpas.



EurAsian överensstämmelsesymbol



Klass II-verktyg, dubbelt isolerat



Ukrainskt märke för överensstämmelse

001



Gamla elektroniska produkter ska inte kastas med hushållsoporna. Återvinn där sådana faciliteter finns. Kontrollera med din lokala myndighet eller säljaren för att få återvinningstips.



Garanterad ljudnivå är 104 dB (RCS1935B)



Garanterad ljudnivå är 105 dB (RCS2340B)



Svärd- och kedjesmörjningsmedel



Kedjebroms



Rotera för att låsa eller låsa upp sågsvärdet



Lås



Lås upp



Kedjans riktning. (Märkt under locket)

SYMBOLER I MANUALEN



Koppla den till ett väggurtag



Urkoppling från väggurtag



Delar och utrustning säljs separat



Notera



Varning



Använd ögon- och ansiktsskydd.



Använd skydd för överkroppen.



Använd benskydd.



Stäng av produkten.

Följande signalord och betydelser är tänkta att förklara de olika risknivåerna som är associerade med denna produkt.

⚠ FARA

Indikerar en överhängande farlig situation som kan, om den inte undviks, resultera i dödsfall eller allvarlig skada.

⚠ VARNING

Indikerar en potentiellt farlig situation som kan, om den inte undviks, resultera i dödsfall eller allvarlig skada.

⚠ PÅMINNELSE

Indikerar en potentiellt farlig situation som kan, om den inte undviks, resultera i mindre eller medelstora skador.

PÅMINNELSE

Utan säkerhetssymbol

Visar på en situation som kan orsaka skada på egendom.

EN

FR

DE

ES

IT

NL

PT

DA

SV

FI

NO

RU

PL

CS

HU

RO

LV

LT

ET

HR

SL

SK

BG

UK

TR

Turvallisuus, tehokkuus ja käyttövarmuus ovat moottorisaha tärkeimpiä ominaisuuksia.

KÄYTTÖTARKOITUS

Moottorisaha on tarkoitettu vain ulkokäyttöön. Turvallisuussyistä tuotteen on oltava asianmukaisesti hallinnassa ja käyttäjän on pideltävä sitä aina kaksin käsin.

Tuote on tarkoitettu oksien, puunrunkojen, tukkien ja paalujen, sahaamiseen, joiden halkaisija on terälevyn pituutta pienempi. Sillä saa sahata vain puuta. Käyttötarkoitus on vain aikuisten kotona tapahtuvaa käyttöä varten, käyttäjillä on oltava asianmukaiset tiedot sahan käyttöön liittyvistä vaaroista ja niiden ehkäisyä koskevista toimenpiteistä/toimista.

Tuotetta eivät saa käyttää lapset tai henkilöt, joilla ei ole riittäviä henkilökohtaisia suojavarusteita ja -vaatetusta. Tämä tuote ei ole tarkoitettu ammattikäyttöön.

Älä käytä muihin tarkoituksiin.

VAROITUS

Noudata turvallisuusääntöjä tuotetta käyttäessäsi. Sinun tulee oman ja sivullisten turvallisuuden vuoksi lukea ja ymmärtää nämä ohjeet täysin ennen tuotteen käyttöä. Osallistu ammatillisesti järjestettyyn turvallisuuskurssiin moottorisahojen käytössä, varoitoimissa, ensiavussa ja huollossa. Säilytä ohjeet tulevaa käyttöä varten.

VAROITUS

Moottorisahat saattavat olla vaarallisia. Moottorisahan käyttöön liittyvät onnettomuudet johtavat usein raajan tai hengen menetykseen. Vaarana ei ole ainoastaan moottorisaha. Putoavat oksat, kaatuvat puut ja pyörivät tukit voivat myös olla hengenvaarallisia. Sairas tai lahonnut puu on myös vaarallinen. Arvioi kykysi suorittaa tehtävä turvallisesti. Jos epäilet kykyäsi, jätä työ ammatilliselle "puukirurgille".

SÄHKÖYÖKALUJEN YLEISIÄ

VAROITUS

Lue kaikki turvallisuusvaroitukset ja ohjeet. Varoitusten ja ohjeiden laiminlyönnistä voi seurata sähköisku, tulipalo ja/tai vakava loukkaantuminen.

Säilytä nämä varoitukset ja ohjeet myöhempää tarvetta varten.

Sana "sähköyökalu" viittaa varoituksissa verkkovirta-(langalliseen) tai akkukäyttöiseen (langattomaan) sähköyökaluun.

TYÖYMPÄRISTÖ

- **Pidä työalue siistinä ja valoisana.** Epäjärjestyksessä olevat ja pimeät alueet myötävaikuttavat onnettomuuksiin.
- **Älä käytä sähköyökalua räjähdyksalttiissa**

paikoissa, kuten helposti syttyvien nesteiden tai kaasujen tai pölyn läheisyydessä. Sähköyökalut kipinöivät, mikä saattaa sytyttää pölyn tai höyryt.

- **Pidä lapset ja sivulliset loitolla, kun käytät sähköyökaluja.** Häiriöt voivat saada koneen riistäytymään hallinnasta.

SÄHKÖTURVALLISUUS

- **Pistokkeen on sovittava pistorasiaan. Älä koskaan muunna pistoketta millään tavalla. Älä käytä maadoitettujen sähköyökalujen kanssa minkäänlaisia sovittinpistokkeita.** Alkuperäiset pistokkeet ja niitä vastaavat pistorasiat pienentävät sähköiskun vaaraa.
- **Älä kosketa maadoitettuihin pintoihin, kuten putkiin, lämpöpattereihin, helioihin tai jääkaappeihin.** Jos ruumiisi on maadoitettu, sähköiskun vaara on suurempi.
- **Älä altista tuotetta sateelle tai kosteudelle.** Sähköyökaluun joutunut vesi kasvattaa sähköiskun vaaraa.
- **Pidä huolta sähköjohdosta. Älä koskaan kannata tai vedä sähköyökalua johdosta tai irrota pistoketta johdosta vetämällä.** Pidä johto etäällä kuumista paikoista, öljystä, terävistä kulmista ja liikkuvista osista. Vioittunut tai takkuinen johto lisää sähköiskun vaaraa.
- **Kun käytät sähköyökalua ulkotiloissa, käytä ulkokäyttöön sopivaa jatkojohtoa.** Ulkokäyttöön sopivan johdon käyttö pienentää sähköiskun vaaraa.
- **Jos sähköyökalua on pakko käyttää kosteissa tiloissa, käytä jännösvirtalaitteella (RCD) suojattua pistorasiaa.** RCD:n käyttö pienentää sähköiskun vaaraa.

KÄYTTÄJÄN TURVALLISUUS

- **Ole valpas, katso mitä teet ja käytä maalaisjärkeä, kun käytät sähköyökalua. Älä käytä sähköyökalua väsyneenä tai huumeiden, alkoholin tai lääkkeiden vaikutuksen alaisena.** Tarkkaamattomuus sähköyökalua käytettäessä saattaa johtaa vakavaan loukkaantumiseen.
- **Käytä henkilökohtaisia suojavarusteita. Käytä aina suojalaseja.** Sahan käytön aikaiset suojavälineet, kuten hengityssuojain, liukumattomat turvakengät, kypärä tai kuulosuojaimet, vähentävät henkilövahinkoja.
- **Älä anna koneen käynnistyä vahingossa. Varmista, että katkaisin on poissa päältä, ennen kuin kytket koneen virtalähteeseen ja/tai akkuun ja ennen kuin nostat tai kannat konetta.** Sähköyökalun kantaminen sormi katkaisimella ja virran kytkeminen koneeseen, joka on päällä, saattaa johtaa onnettomuuksiin.
- **Irrota säätöavaimet ja jakoavaimet ennen sähköyökalun käynnistystä.** Sähköyökalun pyöriivään osaan jätetty jako- tai säätöavain saattaa johtaa loukkaantumiseen.
- **Älä kurkota liian pitkälle. Pysyttele tukevasti jaloillasi äläkä kurkota käsivartta liian kauas.** Tällöin sähköyökalua on helpompi hallita odottamattomissa tilanteissa.
- **Älä pukeudu väljiin vaatteisiin, kravattiin tai**

koruihin, jotka voivat juuttua liikkuviin osiin. Älä käytä väliä vaatteita tai koruja. Pidä hiukset, vaatteet ja käsineet etäällä liikkuvista osista. Löysät vaatteet, korut ja pitkät hiukset saattavat tarttua liikkuviin osiin.

- Jos laitetta varten on pölynpoisto- ja keräyslaite, kytke se asianmukaisesti ja käytä sitä oikein. Pölyn kerääminen voi vähentää pölyyn liittyviä vaaroja.

SÄHKÖTYÖKALUN KÄYTTÖ JA HUOLTO

- Älä pakota tuotetta. Käytä työhön sopivaa sähkötyökälua. Asianmukainen sähkötyökälu hoitaa työt paremmin ja turvallisemmin sillä vauhilla, jota varten se on suunniteltu.
- Älä käytä sähkötyökälua, jos se ei käynnisty ja sammu katkaisimesta. Jos sähkötyökälua ei voida hallita katkaisimella, se on vaarallinen ja vaatii korjaamista.
- Irrota pistoke virranlähteestä ja/tai akku työkoneesta, ennen kuin teet säätöjä, vaihdat varusteita tai varastoit koneen. Tällaiset varoitimet pienentävät sitä vaaraa, että kone käynnistyy vahingossa.
- Varastoi sähkötyökälu pois lasten ulottuvilta äläkä anna kenenkään, joka ei tunne työkoneita tai näitä ohjeita, käyttää sitä. Sähkötyökälu ovat vaarallisia kouluttamattomien käyttäjien käsissä.
- Huolla sähkötyökälu. Tarkista, että liikkuvat osat on kohdistettu oikein ja että ne liikkuvat kunnolla, että osia ei ole rikkoutunut ja että mikään muu seikka ei häiritse sähkötyökälu toimintaa. Jos sähkötyökälu vioittuu, korjaa se ennen käyttöä. Onnettomuudet johtuvat usein sähkötyökälujen huonosta huollosta.
- Pidä leikkuutyökälu terävänä ja puhtaina. Asianmukaisesti huolletut leikkuutyökälu, joiden leikkuupinnat ovat teräviä, eivät jumiudu helposti ja niitä on helppo hallita.
- Käytä työkoneita, lisävarusteita, teriä jne. näiden ohjeiden mukaisesti, ja huomioi työolosuhteet ja tehtävän työn laatu. Työkoneen käyttö muuhun kuin sille tarkoitettuun työhön voi aiheuttaa vaarallisia tilanteita.
- Pidä kädensijat ja tartuntapinnat kuivina ja puhtaina liasta, öljystä ja rasvasta. Liukkaat kahvat ja tartuntapinnat tekevät käytöstä vaarallista, eikä laitetta voi hallita odottamattomissa tilanteissa.

HUOLTO

- Huollata työkone pätevällä huoltomiehellä, joka käyttää ainoastaan asianmukaisia varaosia. Tämä varmistaa, että sähkötyökälu on turvallinen.

MITA YLEISIÄ TURVALLISUUSVAROITUKSIA

- Joillain alueilla vallitsee säädöksiä, jotka rajoittavat tämän tuotteen käyttöä. Pyydä paikallisilta viranomaisilta neuvoa.
- Älä anna lasten tai käyttöohjeita tuntemattomien ihmisten käyttää tuotetta. Paikalliset säädökset saattavat asettaa rajoituksia käyttäjän iälle.
- Varmista aina ennen käyttöä, että kaikki hallinta- ja turvallisuuslaitteet toimivat asianmukaisesti. Älä käytä

sähkötyökälua, jos Off-kytkin ei sammuta moottoria.

- Käytä silmien- ja kuulonsuojaimia, vahvoja ja kestäviä käsineitä sekä päänsuojaa, kun käytät sahaa. Käytä suojanamaria, jos työntekosi on pölyistä.
- Älä käytä löysiä vaatteita, shortseja tai minkäänlaisia koruja.
- Sido pitkät hiukset hartioiden yläpuolelle, jotta ne eivät pääse tarttumaan liikkuviin osiin.
- Varo sinkoutuneita, lentäviä ja putoavia esineitä. Pidä sivulliset, lapset ja eläimet vähintään 15 metrin etäisyydellä työskentelyalueesta.
- Älä käytä tätä työkalua huonosti valaistussa paikassa. Käyttäjällä on oltava esteetön näkyvyys työalueelle, jotta hän näkee mahdolliset vaaratekijät.
- Kuulosuojaimet vaikoittavat varoitusten kuulemista (häilytyksiä ja huutoja). Käyttäjän on kiinnitettävä enemmän huomiota siihen, mitä työalueella tapahtuu.
- Samankaltaisten laitteiden käyttö lähettyvillä kasvattaa kuulovaurion riskiä sekä vaaraa, että joku muu tulee työalueelle.
- Pidä vakaa tasapaino. Älä kurkota liian pitkälle. Liian pitkälle kurottelu voi aiheuttaa tasapainon menetyksen ja kasvattaa takapotkun vaaraa.
- Pidä kaikki ruumiinosat kaukana liikkuvista osista.
- Tarkasta laite aina ennen käyttöä. Tarkista kaikkien hallintalaitteiden, mukaan lukien teräketjujarrun, asianmukainen toiminta. Tarkista kiinnikkeiden kireys ja että kaikki suojukset ja kahvat on kiinnitetty tukevasti. Vaihda kaikki vioittuneet osat ennen käyttöä.
- Älä muunna laitetta millään tavoin tai käytä osia tai lisävarusteita, jotka eivät ole valmistajan suosittelemia.
- Virtapiikki aiheuttaa jännitteen heilahtelua ja voi vaikuttaa muihin samaan syöttöverkkoon kytkettyihin tuotteisiin. Minimoidaksesi jänniteheilahtelun kytke tuote pistorasiaan, jonka impedanssi on enintään 0,33 Ω. Lisätietoja saa sähkötyöiltä.

VAROITUS

Jos tuote putoaa, saa kovan iskun tai alkaa täristä normaalia enemmän, sammuta se heti ja tarkista se vaurioiden varalta tai paikanna tärinän syy. Valtuutetun huoltopisteen on korjattava tai vaihdettava vioittuneet osat asianmukaisesti.

- Virtalähteessä tulee olla jännönsvirtalaitte (RCD), jonka trippausvirta on enintään 30 mA.
- Jos sinun on käytettävä jatkajohtoa, varmista että se soveltuu ulkokäyttöön ja että sen luokitus riittää tuotteelle. Tarkista se vaurioiden varalta ennen jokaista käyttökertaa. Avaa se käärittä ennen käyttöä, koska käärityt johdot voivat ylikuumentua. Vaurioituneita jatkajohtoja ei saa korjata vaan ne tulee vaihtaa vastaavan tyyppisiin.
- Se on vaihdettava, jos merkkejä vahingoittumisesta on näkyvissä.
- Varmista, että virtajohto sijaitsee siten, että se ei voi leikkaantua ja että sen päälle ei astuta eikä siihen kompastuta eikä se muuten vioitu tai rasitu.

- Älä koskaan nosta tai kannata tuotetta sähköjohtosta.
- Älä koskaan irrota laitetta pistorasiasta vetämällä virtajohtosta.
- Älä päästä virtajohtoa koskettamaan kuumuuden lähteitä, öljyä tai teräviä reunoja.
- Tarkista virtajohto aina ennen käyttöä. Jos löytyy mitään merkkejä vaurioitumisesta, pätevän henkilön on vaihdettava se valtuutetussa huollossa, jotta vältetään vaurioita.

MOOTTORISAHAN TURVALLISUUSVAROITUKSET

- **Kun käytät laitetta, pidä kaikki kehonosat loitolla teräketjusta. Varmista ennen moottorisahan käynnistämistä, ettei teräketju ole kosketuksissa mihinkään.** Herpaantuminen hetkiseksi moottorisahan käytön aikana saattaa aiheuttaa vaaturuksesi tai vartalosi sotkeutumisen teräketjuun.
- **Pidä aina oikealla kädellä kiinni takakädensijasta ja vasemmalla kädellä etukädensijasta.** Moottorisahan piteleneminen kädet vastakkaisessa asennossa lisää loukkaantumisen riskiä, eikä niin tule koskaan tehdä.
- **Pidä sahasta kiinni vain eristetystä pitopinnasta, sillä saha saattaa koskea pilotettuja johtoja tai omaa virtajohtoaan.** Jos teräketju koskettaa sähköistettyä johtoa, työkalun metalliosat voivat sähköistyä ja aiheuttaa käyttäjälle sähköiskun.
- **Käytä suojalaseja ja kuulosuojaimia.** Suosittelemme myös pään, käsien, raajojen ja jalcojen suojavarusteiden käyttöä. Asianmukainen suojavaatetus vähentää loukkaantumisia, jotka johtuvat lentävistä pirstaleista tai tahattomasta kosketuksesta teräketjuun.
- **Älä käytä moottorisahaa puussa.** Moottorisahan käyttö ylhäällä puussa saattaa johtaa loukkaantumiseen.
- **Ota aina hyvä jalansija ja käytä moottorisahaa vain, kun seisot kiinteällä, turvallisella tasapinnalla.** Liukkaat tai epävakaat pinnat, kuten tikkaat, voivat saada käyttäjän menettämään tasapainon tai sahan hallinnan.
- **Muista sahatessasi jännitettyä oksaa, että se potkaisee katketessaan takaisin.** Puun kuitujen jännityksen vapautuessa taipunut oksa saattaa osua käyttäjään ja/tai aiheuttaa moottorisahan hallinnan menetyksen.
- **Ole erityisen varovainen sahatessasi pensaita ja puun vesoja.** Ohuet oksat saattavat osua teräketjuun ja iskeytyä sinuun tai saada sinut menettämään tasapainosi.
- **Kanna moottorisahaa etukahvasta ja sammuta se sekä pidä se poissa vartalosi lähetyviltä.** Käytä aina ketjunsuojusta, kun kuljetat moottorisahaa tai jätät sen varastoon. Moottorisahan asianmukainen käyttö vähentää satunnaisen kosketuksen todennäköisyyttä liikkuvan teräketjun kanssa.
- **Noudata voiteluun, ketjun kiristykseen ja lisävarusteiden vaihtoon liittyviä ohjeita.** Huonosti kiristetty tai voideltu ketju saattaa katketa tai saada sahan iskemään takaisin.
- **Pidä kädensijat kuivina ja puhtaina liasta, öljystä ja**

rasvasta. Rasvaiset ja öljyiset kahvat ovat liukkaat ja aiheuttavat hallinnan menettämisen.

- **Sahaa ainoastaan puuta. Älä käytä moottorisahaa muihin kuin sille suunniteltuihin tarkoituksiin.** Esimerkki: älä käytä moottorisahaa muovin, tiilen tai muiden kuin puusta valmistettujen rakennusmateriaalien sahaamiseen. Moottorisahan käyttö muuhun kuin sille tarkoitettuun työtehtävään voi aiheuttaa vaarallisia tilanteita.

Takapotkun syyt ja sen esto:

Takapotku voi ilmaantua, kun terälevyn pää tai kärki koskettaa esinettä tai kun ketju tarttuu ja puristuu puun leikkauskohtaan.

Joissakin tapauksissa kärkikosketus saattaa aiheuttaa äkillisen vastakkaisen reaktion ja potkaista terälevyn ylös ja taakse kohti käyttäjää.

Teräketjun joutuminen puristuksiin saattaa heittää terälevyn käyttäjää kohden.

Kumpikin näistä reaktioista voi aiheuttaa sahan hallinnan menetyksen, joka voi johtaa vakavaan tapaturmaan. Älä luota yksinomaan sahaan rakennettuihin turvalaitteisiin. Moottorisahan käyttäjänä sinun on tehtävä useita varotoimia, jotta sahaustöissä ei tapahtuisi onnettomuuksia tai vammautumisia.

Takapotku johtuu työkalun väärästä käytöstä ja/tai vääristä toimenpiteistä tai tilanteista, jotka voidaan välttää alla olevia asianmukaisia varotoimenpiteitä noudattaen:

- **Pitele moottorisahaa tukevasti kahvoista siten, että peukalot ja sormet ympäröivät kahvat molempien käsien pidellessä sahaa. Aseta vartalosi ja kätesi siten, että voit vastustaa takapotkun voimaa.** Käyttäjä pystyy hallitsemaan takapotkun voiman, jos hän ryhtyy asianmukaisiin varotoimiin. Älä päästä otettasi irti moottorisahasta.
- **Älä kurkota liian kauaksi äläkä sahaa harteita korkeammalla.** Tämä auttaa vähentämään kärkikosketuksen estämisessä ja mahdollistaa moottorisahan paremman hallinnan odottamattomissa tilanteissa.
- **Käytä ainoastaan valmistajan suosittelemaa terälevyjä ja ketjuja.** Epäasianmukaiset terälevyt ja ketjut voivat saada ketjun katkeamaan ja/tai sahan iskemään takaisin.
- **Noudata valmistajan antamia teräketjun teroitusja kunnossapito-ohjeita.** Syyvystulkin korkeuden pienentäminen voi aiheuttaa voimakkaamman takapotkun.

MUITA MOOTTORISAHAN TURVALLISUUSVAROITUKSIA

- Suositellaan, että tukit pilkotaan sahapukilla tai telineessä, kun tuotetta käytetään ensimmäistä kertaa.
- Varmista, että kaikki suojukset, kahvat ja piikillinen puskuri ovat kunnolla paikoillaan ja hyvässä kunnossa.
- Tuotteen käyttäjän terveyden on oltava hyvä. Laitte on painava, joten käyttäjän on oltava fyysikaltaan sopiva käyttämään sitä. Käyttäjän on oltava valpas ja hänen näkönsä, liikkuvuutensa, tasapainonsa ja ketteryytensä hyviä. Jos epäilet asiaa, älä käytä tuotetta.

- Älä aloita tuotteen käyttöä, ennen kuin sinulla on esteetön työalue, vakaa jalansija ja suunniteltu poistumisreitti kaatuvan puun tieltä.
- Varo voiteluainesumua ja sahanpurua. Käytä tarvittaessa maskia tai hengityslaitetta.
- Jos virtakaapeli vahingoittuu, vie saha korjattavaksi ainoastaan valtuutettuun huoltoliikkeeseen.
- Pidä virtajohto aina siistinä ja poissa leikkausalueelta. Sähköiskuvaaran lisäksi epäsiistit johdot aiheuttavat kaatumisia ja kompastumisia.
- Älä sahaa köynnöksiä ja/tai pientä alakasvillisuutta (halkaisijaltaan alle 75 mm).
- Pidä sahasta aina molemmin käsin, kun käytät sitä. Ota teräketjun kahvoista kiinni lujalla otteella peukalot ja sormet kahvojen ympärillä. Pidä oikealla kädellä kiinni takakädensijasta ja vasemmallalla kädellä etukädensijasta.
- Ennen kuin käynnistät laitteen, varmista että moottorisaha ei ole kosketuksissa minkään esineen kanssa.
- Älä muokkaa sahaa millään tavalla tai liitä siihen mitään sellaista lisävarustetta tai -laitetta, joka ei ole sahan valmistajan suosittelema.
- Käyttäjän lähellä on oltava ensiapupakkaus, jossa on suuria haavasiiteitä ja keino kutsua apua (esim. pilli). Suurempi ja täydellisempi pakkaus on oltava suhteellisen lähellä.
- Käytä kypärää, aina kun käytät laitetta. Verkkovisiirillä varustetun kypärän avulla voidaan vähentää kasvojen ja pään loukkaantumiskäsiä takaiskun sattuessa.
- Väärin kiristetty ketju voi hypätä pois terälevyltä ja aiheuttaa vakavan vamman tai kuoleman. Ketjun pituus riippuu lämpötilasta. Tarkista kireys säännöllisesti.
- Totuttele käyttämään uutta moottorisahaa sahaamalla yksinkertaisia leikkauksia tukevasti tuettuun puuhun. Tee näin aina kun et ole käyttänyt sahaa pitempään aikaan.
- Jos joudut koskemaan liikkuviin osiin, sammuta aina ensin moottori, kytke ketjujarru ja irrota sytytystulpan johto loukkaantumiskäsiä pienentämiseksi. Varmista, että kaikki liikkuvat osat ovat pysähtyneet täysin:
 - ennen laitteen luota poistumista
 - ennen tukoksen poistamista.
 - ennen kuin asennat tai irrotat lisävarusteita
 - ennen tuotteen tarkastusta, ylläpitoa ja huoltoa
- Työalueen koko riippuu suoritetusta työstä sekä kysymyksessä olevan puun tai leikkauskohteen koosta. Esimerkiksi puun kaataminen vaatii laajemman työalueen kuin muiden leikkausten tekeminen – esim. karsinta. Käyttäjän on oltava tietoinen kaikesta työalueella tapahtuvasta ja pystyttävä hallitsemaan sitä.
- Älä sahaa siten, että vartaloisi olisi samassa linjassa terälevyn ja ketjun kanssa. Jos moottorisaha potkaisee takaisin, tällainen asento auttaa estämään ketjuja osumasta päähäsi tai vartalooosi.
- Älä käytä edestakalista sahausliikettä; anna ketjun tehdä työ; pidä ketju terävänä äläkä yritä painaa terää leikkauksen läpi.

- Älä paina sahaa sahauskeskellä lopussa. Ole valmis kannattamaan sahan painon sen leikkautuessa puun läpi. Muutoin seurauksena voi olla vakava loukkaantuminen.
- Älä pysäytä sahaa keskellä leikkausta. Pidä saha käynnissä, kunnes se on irti leikkauksesta.

Henkilöstön suojaimet

Laadukkaat ammattilaisten käyttämät henkilösuojat auttavat pienentämään käyttäjän loukkaantumiskäsiä. Moottorisahaa käytettäessä on käytettävä seuraavia varusteita:

Suojakypärä

- sen tulee noudattaa EN 397 -standardia ja olla CE-merkitty

Kuulosuojaimet

- sen tulee noudattaa EN 352-1 standardia ja olla CE-merkitty

Suojalasit ja kasvosuojus

- niiden tulee olla CE-merkittyjä ja noudattaa EN 166 -standardia (suojalasit) ja EN 1731 -standardia (verkkovisiiri)

Käsineet

- sen tulee noudattaa EN381-7 -standardia ja olla CE-merkitty

Jalkasuojat

- niiden tulee noudattaa EN381-5-standardia, olla CE-merkittyjä ja suojata kaikilta suunnilta.

Moottorisahan suojaalkineet

- niiden tulee noudattaa EN ISO 20345:2004 -standardia, ja niissä tulee olla moottorisahaa kuvaava kilpi todisteena EN 381-3 -standardin noudattamisesta. (Joskus käyttäjät voivat käyttää teräskärkisiä suojaalkineita ja säärystimiä, jotka noudattavat EN 381-9 -standardia, jos maa on tasaista ja kaatumisen ja alakasvullisuuteen takertumisen vaara on hyvin pieni)

Moottorisahatakki suojaamaan ylävartaloa

- sen tulee noudattaa EN 381-11 standardia ja olla CE-merkitty

OHJEET PUUN KAADON, KARSINNAN JA PILKKOMISEN OIKEISTA TEKNIKOISTA

Puun voimien ymmärtäminen

Kun ymmärrät puun sisällä vallitsevat suunnatut paineet ja voimat, voit vähentää "puristumisia" tai vähintäänkin ennakoita ne sahatessasi. Puun jännite merkitsee sitä, että kuituja vedetään erilleen, ja jos sahaat tällaista aluetta, uurre tai leikkaus avautuu sahan mennessä puun läpi. Jos tukkia kannatellaan sahapukissa ja sen pääty riippuu tukematta päädyistä, yläpintaan syntyy jännitystä sen takia, että riippuva tukki venyttää kuituja. Vastaavasti, tukin alapinta puristuu kokoon ja kuituja työnnetään yhteen. Jos tätä aluetta sahataan, uurre pyrkii sulkeutumaan sahauskeskellä. Tällöin terä jää puristuksiin.

Puun kaataminen

Ks. sivu 273 - 274.

Karsiminen ja kaataminen suoritetaan kahden tai

useamman henkilön toimesta, mutta kaataminen erottuu karsimisesta sikäli, että etäisyyden tulee olla vähintään kaksi kertaa niin suuri kuin kaadettavan puun korkeus. Puita ei tule kaataa siten, että ihmiset ovat vaarassa tai että ne voivat osua sähkölinjaan tai aiheuttaa omaisuusvahinkoja. Mikäli puu on kosketuksissa sähkölinjaan, sähkölaitokselle tulee ilmoittaa siitä välittömästi.

Moottorisahan käyttäjän tulisi olla maastossa ylämäen puolella, koska puu todennäköisesti pyörii tai liukuu mäkeä alas kaaduttuaan.

Pakoreitti tulee suunnitella ja tarvittaessa raivata ennen sahaamisen aloittamista. Perääntymisreitit tulee ulottautua viistosti suunnitellun kaatumislinjan taakse.

Ota huomioon ennen kaatamisen aloittamista puun luonnollinen kallistuma, suurempien oksien sijainti ja tuulen suunta arvioidaksesi mihin suuntaan puu kaatuu.

Irrota puusta muta, kivet, irrallinen kaarna, naulat, niitit ja rautalangat.

Älä yritä kaataa puita, jotka ovat lahoja tai joita tuuli, tulipalo, salama jne. on vahingoittanut. Tämä on erittäin vaarallista, ja vain ammattilaisuusasiantuntijat saavat suorittaa kyseisen työn.

- Alasahaus
Ks. sivu 273 - 274.

Tee runkoon halkaisijaltaan 1/3 oleva lovi kohtisuoraan kaatosuuntaan. Saha ensin alempi, vaakasuora lovi. Näin ketju ei jää puristuksiin, kun teet toisen loven.

- Kaatosahaus
Ks. sivu 273 - 274.

Tee kaatoleikkaus vähintään 50 mm/2 tuumaa korkeammalle kuin kaatolovi. Pidä kaatosahaus samansuuntaisena vaakasuoran, alemman loven kanssa. Tee kaatosahaus siten, että puuta jää jäljelle, jotta se toimisi saranana. Pitopuu estää puun kääntymisen ja kaatumisen väärään suuntaan. Älä sahaa saranan läpi.

Kaatosahauksen läheystyössä saranaa puun pitäisi ruveta kaatumaan. Jos on mahdollisuus, ettei puu ehkä kaadukaan haluttuun suuntaan tai että se kallistuu takaisin puristaen moottorisahaa, lopeta sahaaminen ennen kuin kaatosahaus on suoritettu loppuun ja käytä puista, muovista tai alumiinista kiilaa avataksesi loven ja kaataaksesi puun halutun kaatolinjan mukaisesti.

Kun puu alkaa kaatua, poista moottorisaha lovesta, pysäytä moottori, aseta moottorisaha maahan ja käytä suunniteltua perääntymisreittiä. Varo, ettei päällesi putoa oksia, ja katso minne astut.

Ulkonevien juurien poistaminen

Katso sivu 274.

Ulkoneva juuri on suuri rungosta maan päälle ulottuva juuri. Poista isot ulkonevat juuret ennen puun kaatamista. Tee ensin vaakasuuntainen leikkaus ulkonevaan juureen, ja sen jälkeen pystysuuntainen leikkaus. Poista tästä lähtevä irrallinen osa työskentelyalueelta. Kun olet poistanut isot ulkonevat juuret, jatka puun kaatamistoimia oikeaa tekniikkaa noudattamalla.

Työntö ja veto

Reaktiivoima on aina ketjun liikkumissuunnan päinvastainen voima. Siksi käyttäjän täytyy varautua siihen, että laite vetää eteenpäin (poispäin) leikkauksesta, sillä tämä saattaisi rikkoa ketjun, joka voi sitten sinkoutua taaksepäin ja osia käyttäjään. Näin tapahtuu tavallisesti sen takia, että puu on tuettu virheellisesti ja pakottaa leikkauksen sulkeutumaan, jättäen terän puristuksiin. Jos tuen säätäminen ei vapauta terälevyä ja ketjua, käytä puukiloja tai vipua avataksesi leikkauksen ja vapauttaaksesi sahan. Älä koskaan yritä käynnistää moottorisahaa, jos terälevy on leikkauksessa tai uurreksessa.

Leikkaukseen jumittunut saha

Sammuta moottorisaha ja tee se turvallisiksi. Älä yritä pakottaa ketjua ja terälevyä ulos leikkauksesta, sillä tämä saattaisi rikkoa ketjun, joka voi sitten sinkoutua taaksepäin ja osia käyttäjään. Näin tapahtuu tavallisesti sen takia, että puu on tuettu virheellisesti ja pakottaa leikkauksen sulkeutumaan, jättäen terän puristuksiin. Jos tuen säätäminen ei vapauta terälevyä ja ketjua, käytä puukiloja tai vipua avataksesi leikkauksen ja vapauttaaksesi sahan. Älä koskaan yritä käynnistää moottorisahaa, jos terälevy on leikkauksessa tai uurreksessa.

Terän liukuminen / hyppiminen

Kun ketjusahan terä ei painu puuhun sahattaessa, sahan terälaippa voi alkaa hyppiä tai liukua vaarallisesti rungolla tai oksalla, josta saattaa seurata sahan hallinnan menetys. Tämän välttämiseksi pidä sahasta aina molemmin käsin kiinni. Varmista, että terä on sahattaessa tarpeeksi väljässä urassa.

Älä koskaan sahaa ketjusahalla pieniä, taipuvia oksia tai pensaita. Ne voivat kokonsa ja joustavuutensa takia saada sahan ponnahtamaan käyttäjää kohden tai takertua niin pahasti, että aiheuttavat takapotkun. Tällaiseen työhön parhaat työkalut ovat käsisaaha, karsintasakset, kirves ja muut käsityökalut.

Tukin apteeraus

Katso sivu 275.

Apteeraus tarkoittaa rungon leikkaamista paloiksi. On tärkeää, että seisot tukevasti ja että painosi jakautuu tasaisesti molemmille jaloille. Mikäli mahdollista, runko tulee nostaa ja se tulee tukea oksien, pölkkyjen tai pönnkien varaan. Noudata näitä yksinkertaisia ja helppoja leikkausohjeita: Jos tukki on tuettu koko matkalta, se leikataan yläpuolelta.

Kun runko on tuettu toisesta päästä, sahataan halkaisijasta 1/3 alapuolelta (rungon ali). Saha sitten loput ylhäältä, jotta yhtyisit ensimmäisen sahaukseen.

Kun runkoa tuetaan molemmista päistä, sahataan halkaisijasta 1/3 yläpuolelta. Leikkaa sitten alapuolelta 2/3 siten, että leikkaus kohtaa ensimmäisen loven.

Kun pilkot rinteessä, seisoo aina tukkiin nähden ylärinteessä. Kun leikkaat tukkia poikki, lakkaa painamasta sahaa lähellä leikkauksen loppua ilman, että heilität otettasi moottorisahan kädensijoista, jotta saha pysyisi hallinnassa. Alla anna ketjun koskettaa maata. Kun leikkaus on valmis, anna ketjun pysähtyä ennen kuin liikutat sahaa. Pysäytä moottori aina ennen kuin liikut puun luota toiselle.

Puun karsiminen

Katso sivu 276.

Oksimisella tarkoitetaan oksien poistamista kaatuneesta

puusta. Jätä oksissa suuremmat, alempana sijaitsevat oksat tukemaan maassa olevaa runkoa. Poista pienet oksat yhdellä sahauskella. Jännitetyt oksat tulee leikata alhaalta latvaan päin moottorisahan puristumisen välttämiseksi.

Kireydet

Katso sivu 276.

Jousiriuku on mikä tahansa tukki, oksa, juurellinen kanto tai nuori puu, joka on taipunut toisen puun alle ja joka ponnahtaa ylös, jos sitä painava puu katkaistaan ja poistetaan.

Kaatunessa puussa juurellinen kanto voi mahdollisesti ponnahtaa ylös pystyasentoon katkaisun aikana, jolloin tukkiosa eroaa kannosta. Varo jousiriukuja; ne ovat vaarallisia. Älä yritä leikata taipuneita oksia tai jännityksessä olevia kantoja, ellei sinulla ole siihen ammattikoulutusta ja pätevyyttä.

VAROITUS

Jousiriutu ovat vaarallisia ja voivat iskeä sahan käyttäjää ja aiheuttaa sahan hallinnan menetyksen. Tämä voi aiheuttaa vakavan tai kohtalokkaan vamman käyttäjälle. Tämä tulee jättää koulutetun käyttäjän tehtäväksi.

KULJETUS JA VARASTOITAESSA

Ks. sivu 281 - 284.

- Sammuta saha ja kytke se irti virtalähteestä. Anna laitteen jäähtyä kunnolla, ennen kuin siirät sen säilytykseen tai kuljetat sitä ajoneuvossa.
- Puhdista laitteesta kaikki vieraat materiaalit. Varasto laite viileään, kuivaan ja hyvin tuuletettuun paikkaan, jossa lapset eivät pääse siihen käsiksi. Pidä pois sa syövyttäviltä aineilta kuten puutarhakemikaaleilta ja jäänsulatussuolalta. Älä säilytä ulkona.
- Aseta terälevyn suojus paikoilleen ennen laitteen varastointia ja kuljetusta.
- Kiinnitä tuote kuljetettaessa siten, että se ei pääse liikkumaan tai kaatumaan, jotta välttyä loukkaantumisilta ja vaurioilta.

HUOLTO

Pidä tuote aina hyvässä kunnossa.

VAROITUS

Käytä ainoastaan alkuperäisiä valmistajan tuottamia varaosia, lisälaitteita ja lisävarusteita. Tämän noudattamatta jättäminen voi johtaa loukkaantumiseen ja huonoon tulokseen ja voi mitätöidä takuun.

VAROITUS

Huolto kaipaa suurta huolellisuutta ja hyvää työkalun tuntemusta: Se on annettava pätevän teknikon tehtäväksi. Huollata saha ainoastaan valtuutetussa huoltoliikkeessä. Käytä huollossa ainoastaan alkuperäisiä valmistajan tuottamia varaosia.

VAROITUS

Kytke kone irti virtalähteestä aina ennen puhdistamista ja säätö- tai huoltotoimenpiteitä. Muutoin seurauksena voi olla vakava loukkaantuminen.

- Sinulla on lupa suorittaa ainoastaan tässä käsikirjassa kuvattuja säätöjä ja korjauksia. Huollata ja korjata laite ainoastaan valtuutetussa huoltoliikkeessä.
- Epäasiallisen huollon sekä turvalaitteiden - ketjujarrun, käsisuojaan (edessä ja takana), piikkipururin, ketjuleikkurin, terälaipan - poistamisen tai muuntelun seurauksena turvalaitteet eivät ehkä enää toimi tarkoitettulla tavalla, jolloin riski vakavasta henkilövahingosta, erityisesti terälaipan takapotkun aiheuttamana, kasvaa. Pidä saha aina ammattilaistaiseksi huollettuna ja käyttöturvallisena.
- Ketjun teroittaminen turvallisesti vaatii taitoa. Valmistaja suosittelee, että kulunut tai tylsä ketju vaihdetaan uuteen, jonka saa valtuutetusta huoltoliikkeestä. Osanumero ilmoitetaan tuotteen teknisten tietojen taulukossa tässä käsikirjassa.
- Noudata ohjeita voitelusta ja ketjun kireyden tarkistamisesta ja säädöstä.
- Puhdista tuote aina käytön jälkeen pehmeällä ja kuivalla liinalla.
- Varmista aina, että ruuvit ja mutterit ovat tiukasti kiinni, jotta leikkuri olisi aina turvallinen ja käyttövalmis. Valtuutetun huoltopisteen on korjattava tai vaihdettava vioituneet osat asianmukaisesti.

KÄYTTÖÖN LIITTYVÄT RISKIT

Vaikka tuotetta käytettäisiin ohjeiden mukaisesti, ei ole mahdollista täysin eliminoida tiettyjä käyttöön liittyviä riskitekijöitä. Käytössä voi aiheutua seuraavia vaaroja, ja käyttäjän tulee kiinnittää erityistä huomiota niiden välttämiseen:

- Tärinän aiheuttama vamma
 - Käytä aina työhön oikeaa työkalua. Käytä osoitettuja kahvoja. Rajoita työskentelyaikaa ja altistumista.
- Liian kova melu voi aiheuttaa kuulovamman.
 - Käytä suojalaseja ja rajoita altistumista.
- Kosketus ketjun paljaisiin hampaisiin (leikkausvaarat).
- Terälevyn odottamaton, äkillinen liike tai takapotku (leikkuuvaara).
- Teräketjusta sinkoutuvat osat (leikkuu/lävistysvaara)
- Sinkoutuneet puukappaleet (puulastut, tikut).
- Sahanpururin ja hiukkasten hengittäminen
- Jos öljyä joutuu iholle.

RISKIEN VÄHENTÄMINEN

Raporttien mukaan käsikäyttöisten laitteiden tärinä voi joidenkin kohdalla myötävaikuttaa Raynaud's Syndromen (Raynandin oireen) ilmenemiseen. Oireita ovat pistely, turtuus ja sormien kalpeneminen, yleensä kylmässä ilmassa. Perinnölliset tekijät, kylmyys ja kosteus, ruokavalio, tupakointi sekä työtavat voivat kaikki myötävaikuttaa näiden oireiden ilmenemiseen. Käyttäjä voi

EN
FR
DE
ES
IT
NL
PT
DA
SV
FI
NO
RU
PL
CS
HU
RO
LV
LT
ET
HR
SL
SK
BG
UK
TR

ehkäistä tärinän aiheuttamia vaikutuksia seuraavasti:

- Pidä itseisi lämpimänä kylmällä säällä. Käytä laitteen käytön aikana käsineitä, jotta kätesi ja ranteesi pysyvät lämpöisinä. Raporttien mukaan kylmä ilma on tärkeä tekijä Raynaud's Syndromen (Raunaudin oireiden) ilmenemisessä.
- Harjoita kunkin käyttöjakson jälkeen liikuntaa, jotta verenkierto lisääntyy.
- Pidä työn aikana säännöllisesti taukoja. Rajoita päivittäisen tärinän määrä.
- Ammatilliselta moottorisahojen jälleenmyyjältä saatavat suojakäsineet on suunniteltu erityisesti moottorisahakäyttöön; ne tarjoavat suojaa ja hyvän otteen ja vaimentavat lisäksi kahvan tärinävaikutusta.

Jos mitään yllä mainittuja oireita ilmenee, lopeta heti laitteen käyttö ja kerro oireista lääkärille.

VAROITUS

Laitteen pitkittynyt käyttö voi aiheuttaa tai vaikeuttaa vammoja. Kun käytät mitä tahansa laitetta pitkiä aikoja, muista pitää säännöllisiä taukoja.

TUNNE TUOTTEESI

Katso sivu 267.

1. Ketju
2. Terälevy
3. Käden etusuojaus/Ketjujarru
4. Etukädensija
5. Liipaisimen vapautin
6. Takakädensija
7. Moottorisahan kuorituki
8. Ketjuöljysäiliön tulppa
9. Johdon kotelo
10. Liipaisinkytkin
11. Vetopyörän suoja
12. Ketjun kireys / Terälevyn lukitusnappi
13. Terälevyn suojus
14. Ketjun pidäte

SUOJALAITTEET

Pienitakapotkuinen teräketju

Takapotkua vaimentava teräketju auttaa vähentämään takapotkun mahdollisuutta.

Höylähampaat (syvyysmitat) kunkin leikkurin edessä voivat minimoida takapotkun reaktion voiman estämällä leikkureita kaivautumasta liian syvälle takapotkuvyöhykkeellä. Käytä ainoastaan valmistajan suosittelemia vaihtoterälevy ja – teräketjuyhdistelmiä.

Kun teräketjuja teroitetaan, ne menettävät jonkin verran pientakapotkuominaisuksistaan. Noudata sen vuoksi erityistä varovaisuutta. Vaihda turvallisuutesi vuoksi sahan teräketju suorituskyvyn heikettessä.

Moottorisahan kuorituki

Sisään rakennettua moottorisahan kuoritukea voidaan käyttää nivelpisteestä katkaistaessa. Se auttaa pitämään moottorisahan rungon vakaana sahattaessa. Työnnä laitetta sahatessasi eteenpäin kunnes piikit tunkeutuvat

puun reunaan; liikuta sitten takakahvaa ylös tai alas leikkuulinjalla pienentääksesi sahausksen rasitusta.

Terälevyt

Yleisesti, terälevyt, joiden kärjen säde on pienempi, ovat vähemmän alttiita takapotkulle. Käytä terälevyä ja sitä vastaavaa teräketjuja, joka on riittävän pitkä työhön. Pitempi terälevy lisää vaaraa, että saha riistäytyy hallinnasta sahattaessa. Tarkista ketjun kireys säännöllisesti. Kun sahaat pienempiä oksia (terälevyn koko pituutta pienempiä), teräketju irttaa todennäköisemmin jos kireys ei ole oikea.

Ketjujarru

Ketjujarrut on tarkoitettu pysäyttämään nopeasti ketjun pyöriminen. Kun ketjujarrun vipu/kädensuojus työnnetään terälevyä kohti, ketjun tulisi pysähtyä heti. Ketjujarru ei estä takapotkua. Se pienentää loukkaantumisriskiä vain, jos terälevy koskettaa käyttäjän ruumista takaiskun yhteydessä. Ketjujarrun toiminta tulee testata ennen jokaista käyttökertaa sekä käyttö- että jarruasennossa.

Ketjun pidäte

Ketjusieppari estää sahaketjuja heittäytymästä takaisin käyttäjää kohti, jos sahaketju irttaa tai katkeaa.

KOKOONPANO

VAROITUS

Jos osia puuttuu, älä käytä työkalua ennen, kuin olet hankkinut puuttuvan osan. Muutoin seurauksena voi olla vakava loukkaantuminen.

TERÄKETJUN JA TERÄLEVYN KOKOAMINEN

Ks. sivu 268 - 269.

1. Irrota pistoke. Käytä suojakäsineitä.
2. Avaa terälevyn lukitusnappi ja irrota vetopyörän suoja.
3. Teräketjun tulee osoittaa sen pyörimissuuntaan. Jos ne ovat taaksepäin, käännä silmukka toisinpäin.
4. Aseta ketjun vetolenkit terälevyn uraan.
5. Aseta ketju niin, että terän takana on silmukka.
6. Pidä ketjuja paikoillaan terälevyillä ja pujota silmukka vetopyörän ympärille. Laske terälevyä siten, että pultti kulkee kiinnitetyn ketjunkturistyskokoontalon reiän läpi.
7. Vaihda ketjuhammaspyörän kansi ja kiristä sitten ketjun kireyden / terälaipan lukitusnappi kiertämällä sitä myötäpäivään, kunnes se lukittuu paikalleen. Tarkista ketjun kireys säännöllisesti.
Ketjun kireys on oikea, kun ketjun ja terälevyn välinen rako on 3–4 mm. Vedä ketjuja alapuolen keskikohdasta (poispäin terälevystä) ja mitata terälevyn ja ketjun välinen rako.
8. Kiristä ja lukitse ketjun kireyden / terälaipan lukitusnappi kiertämällä sitä myötäpäivään.

KETJUN JÄNNITTEEN SÄÄTÖ

Katso sivu 279.

1. Kytke irti virtalähteestä. Käytä suojakäsineitä.
2. Korjaa ketjun kireys siten, että löysäät ketjun kireyden / terälaipan lukitusnappia, kiristä sitten ketjun kireyden

/ terälaipan lukitusnuppi kiertämällä sitä myötöpäivään, kunnes se lukittuu paikalleen. Tarkista ketjun kireys säännöllisesti.

Ketjun kireys on oikea, kun ketjun ja terälevyn välinen rako on 3–4 mm. Vedä ketjua alapuolen keskikohdasta (poispäin terälevystä) ja mitata terälevyn ja ketjun välinen rako.

3. Kiristä ja lukitse ketjun kireyden / terälaipan lukitusnuppi kiertämällä sitä myötöpäivään.

HUOMAUTUS: Varmista, että lika ei estä laippa- ja ketjunkturistuskokoonpanon esteetöntä liikkumista ja että ketju on oikein ketjupyörässä. Jos ketju on liian kireällä tai löysällä ketjun kiristyksen/terälaipan lukitusnupin lukitsemisen jälkeen, varmista, että terälaippa- ja ketjunkturistuskokoonpano ovat puhtaita ja oikein kootuina.

Poista tarvittaessa ketjupyörän kansi ja terälaippa puhdistamista varten, kokoa osat sen jälkeen uudelleen.

KÄYTTÖ

KETJUN VOITELUÖLJYN LISÄÄMINEN

Katso sivu 269.

VAROITUS

Älä koskaan työskentele ilman voiteluöljyä. Jos sahan teräketjua käytetään ilman voiteluainetta, terälevy ja teräketju voivat vioittua. Öljyn määrä on tarkistettava säännöllisesti öljyn tason mittarilla, ja aina ennen sahan käytön aloittamista.

1. Puhdista öljysäiliön korkin ympäristö, jotta se ei likaannu.
2. Ruuvaa öljysäiliön tulppa auki.
3. Kaada öljysäiliöön öljyä ja pidä silmällä säiliön öljytason mittaa. Kun täytät öljyä, pidä huoli että säiliöön ei pääse likaa.
4. Aseta öljysäiliön tulppa paikoilleen ja kiristä se. Pyyhi läikkynyt öljy pois.
5. Täydellä öljysäiliöllisellä voidaan sahata 12 – 18 minuuttia.

MOOTTORISAHAN PITELEMENEN

Katso sivu 269.

Pidä aina oikealla kädellä kiinni takakädensijasta ja vasemmalla kädellä etukädensijasta. Pidä kiinni molemmista kädensijoista siten, että sormet kietoutuvat niiden ympärille. Varmista, että pidät vasenta kättä siten, että peukalo on etukädensijan alapuolella.

VAROITUS

Pidä virtajohto aina siistinä ja poissa leikkausalueelta. Sähköiskuvaaran lisäksi epäsiistit johdot aiheuttavat kaatumisia ja kompastumisia.

MOOTTORISAHAN KÄYNNISTÄMINEN

Katso sivu 269.

1. Liitä saha pistorasiaan. Varmista, että ketjun jarru on RUN-asennossa vetämällä vipua/käsisuojaa taaksepäin.

2. Laitteen käynnistys: Paina liipaisimen vapautinta, ja sen jälkeen liipaisinkytkintä.

KETJUN JARRUN TARKISTAMINEN JA KÄYTTÖ

1. Kytke ketjujarru päälle kiertämällä vasenta kättä etukahvan ympärillä. Työnnä käden takapuolella ketjujarrun vipua/käsisuojaa tankoa kohden ketjun pyöriessä nopeasti. Ketjun pitäisi lopettaa pyöriminen välittömästi. Muista pitää molemmat kädet sahan kahvoilla kaiken aikaa.
2. Palauta ketjujarru käyttöasentoon ottamalla kiinni ketjujarrun vivun/käsisuojan yläosasta ja vetämällä sitä etukahvaa kohden, kunnes kuulet napsahduksen.

VAROITUS

Jos ketjujarru ei pysäytä ketjua välittömästi tai ketjujarru ei pysy "käy"-asennossa ilman apua, vie saha ennen seuraavaa käyttökertaa korjattavaksi valtuutettuun huoltooliikkeeseen.

TERÄLAIPAN JA SAHAKETJUN VAHTAMINEN

Ks. sivu 277 - 278.

1. Kytke irti virtalähteestä. Käytä suojakäsineitä.
2. Avaa ketjun kireyden / terälaipan lukitusnuppi kiertämällä sitä vastapäivään, kunnes ketjuhammaspyörän kansi löystyy.
3. Irrota vetopyörän suoja. Irrota terälevy ja ketju laitteesta.
4. Poista terälaippaa ketjun kireyden kokoonpanoon kiinni pitävä ruuvi. Hävitä käytetty terälaippa ja -ketju asianmukaisesti.
5. Kiinnitä ketjun kiristyskokoonpano uuteen sahalaippaan ja kiristä ruuvi. Aseta uusi ketju oikean suuntaisesti terälevylle ja varmista, että vetosilmukat ovat kohdakkain terälevyn uran kanssa.
6. Kiinnitä terälevy moottorisahaan ja pujota ketju vetopyörän ympäri. Aseta vetopyörän suoja.
7. Kiristä ja lukitse ketjun kireyden / terälaipan lukitusnuppi kiertämällä sitä myötöpäivään.

Ketjun kireys on oikea, kun ketjun ja terälevyn välinen rako on 3–4 mm. Vedä ketjua alapuolen keskikohdasta (poispäin terälevystä) ja mitata terälevyn ja ketjun välinen rako.

Sääda ketjun kireys. Viittaa kohtaan Ketjun kireyden säätäminen.

VAROITUS

Ketjun väärä teroitus lisää takapotkun mahdollisuutta.

VAROITUS

Vaurioituneen ketjun vaihtamisen tai korjaamisen laiminlyönti voi aiheuttaa vakavan vamman.

VAROITUS

Teräketju on erittäin terävä. Käytä aina suojakäsineitä, kun suoritat ketjun kunnossapitotoimia.

KETJUJARRUN TARKISTAMINEN JA PUHDISTAMINEN

Katso sivu 280.

- Pidä ketjujarrumekanismi aina puhtaana harjaamalla sen puhtaaksi.
- Testaa ketjujarrun toiminta aina puhdistuksen jälkeen. Katso lisätietoja tämän oppaan kohdasta "Käyttö - Ketjujarrun tarkastus ja käyttö".

POLTTOAINESEKOITUKSEN MÄÄRÄ

| Päivittäinen tarkastus | |
|------------------------------------|---|
| Virtajohto vaurioiden varalta | Ennen jokaista käyttöä |
| Teräketjun kireys | Ennen jokaista käyttöä |
| Ketjun kireys | Ennen jokaista käyttökertaa ja säännöllisesti |
| Viallisten varaosien varalta | Ennen jokaista käyttökertaa, silmämääräinen tarkastus |
| Irtonaisten kansien varalta | Ennen jokaista käyttöä |
| Irtonaisten kiinnitysosien varalta | Ennen jokaista käyttöä |
| Ketjun jarrutustoiminto | Ennen jokaista käyttöä |
| Tarkasta ja puhdista | |
| Terälevy | Ennen jokaista käyttöä |
| Koko saha | jokaisen käytön jälkeen |
| Ketjujarru | 5 tunnin välein* |

*Käyttötunnit

TUOTTEESSA OLEVAT SYMBOLIT



Varoitus



Onnettomuusvaarojen vähentämiseksi tämän käsikirjan sisältö on ehdottomasti luettava ja ymmärrettävä ennen työkalun käyttöä.



Käytä suojalaseja, kuulosuojaimia ja kypärää



Käytä tätä tuotetta käyttäessäsi luisumattomia turvajalkineita.



Käytä luisumattomia raskaan käytön käsineitä.



Jos johto vioittuu tai katkeaa, irrota se heti pistokkeesta ennen sen huoltoa.



Varo teräketjun takapotkua äläkä kosketa terälevyn kärkeä.



Älä altista konetta sateelle tai kosteudelle.



Pidä ja käytä moottorisahaa kaksin käsin.



Älä käytä moottorisahaa yhdellä kädellä.



Tämä työkalu on sen EU-maan kaikkien sääntömääräisten standardien mukainen, josta se on ostettu.



EurAsian-vaatimustenmukaisuusmerkki



Luokan II laite, kaksoiseristetty



Ukrainalainen säädöstenmukaisuusmerkintä



Käytöstä poistettavia sähkölaitteita ei pidä hävittää talousjätteiden mukana. Ne on mahdollisuuksien mukaan pantava kiertoon. Kierrätysohjeita antavat kunnan viranomaiset ja vähittäiskauppiaat.



Taattu äänenteho on 104 dB (RCS1935B)



Taattu äänenteho on 105 dB (RCS2340B)



Terälevyn ja ketjun voitelu



Ketjujarru

Kierrä lukitaksesi terälaippa tai avataksesi sen lukituksesta



Lukko



Avaa



Ketjun liikesuunta. (Merkitty vetopyörän suojan alle)

TÄMÄN KÄSIKIRJAN SYMBOLIT



Kytke pistorasiaan



Irrota pistorasiasta



Osat ja lisävarusteet on hankittava erikseen



Huom



Varoitus



Käytä suojalaseja ja kasvosuojusta.



Käytä vartalonsuojusta.



Käytä jalkasuojusta.



Pysäytä moottori.

Seuraavat signaalisanat ja merkitykset on tarkoitettu selittämään tähän tuotteeseen liittyviä riskin tasoja.

VAARA

Ilmaisee välitöntä vaaratilannetta, joka ellei sitä vältetä, johtaa kuolemaan tai vakavaan loukkaantumiseen.

VAROITUS

Ilmaisee potentiaalisen vaaratilanteen, joka ellei sitä vältetä, johtaa kuolemaan tai vakavaan loukkaantumiseen.

HUOMAUTUS

Ilmaisee potentiaalisen vaaratilanteen, joka ellei sitä vältetä, saattaa johtaa pienempään tai keskivaikeaan loukkaantumiseen.

HUOMAUTUS

Ilman turvallisuusvaroitussymbolia

Ilmoittaa tilanteesta, jossa omaisuutta saattaa vaurioitua.

Sikkerhet, ytelse og pålitelighet har fått topp prioritet ved konstruksjonen av denne motorsagen.

TILTENKT BRUK

Motorsagen skal bare brukes utendørs. Av sikkerhetsmessige årsaker må produktet holdes under kontroll ved alltid å holde det med to hender.

Produktet er ment til kutting av grener, stammer, tømmerstokker og bjelker på en diameter som bestemmes av lengden på sagsverdet. Den kan kun brukes til saging i tre. Denne skal kun brukes i husholdningsbruk av voksne som har mottatt tilstrekkelig opplæring om farene og de forebyggende tiltakene /handlingene som skal tas under bruk av produktet.

Produktet skal ikke brukes av barn eller personer som ikke bruker tilstrekkelig personlig verneutstyr og verneklær. Skal ikke brukes i profesjonell trefelligsvirksomhet.

Ikke bruk til noe annet formål.

⚠ ADVARSEL

Når produktet brukes må sikkerhetsreglene følges. For din egen sikkerhet og sikkerheten til tilskuerne, må du ha lest og forstått disse instruksene før du tar i bruk produktet. Du bør være med på et profesjonelt sikkerhetskurs vedrørende bruk, forebyggende tiltak, førstehjelp og vedlikehold av kjedesager. Vennligst ta vare på instruksjonene for fremtidig bruk.

⚠ ADVARSEL

En kjedesag er et potensielt farlig verktøy. Ulykker der kjedesager er innblandet fører ofte til tap av ekstremiteter eller død. Det er ikke kjedesagen i seg selv som er farlig. Fallende grener, veltende trær, rullende tømmerstokker kan drepe. Dødt eller råtnende trevirke utgjør en ytterligere fare. Du bør vurdere dine evner for å kunne fullføre oppgavene trygt. Ved tvil, la heller en profesjonell trefeller utføre jobben.

GENERELLE SIKKERHETSREGLER FOR ELEKTRISK VERKTØY

⚠ ADVARSEL

Les alle sikkerhetsadvarslene og alle instruksjonene. Å unnlate å følge advarslene og instruksjonene kan føre til elektrisk støt, brann og alvorlig personskade.

Ta vare på disse advarslene og instruksene for å se i dem senere.

Begrepet "elektrisk verktøy" i advarslene gjelder ditt elektriske verktøy koblet til strømmettet (med ledning) eller batteridrevet (uten ledning) elektrisk verktøy.

ARBEIDSSOMGIVELSER

- **Hold arbeidsområdet rent, ryddig og godt opplyst.** Uryddige og dårlig opplyste områder fører lett til ulykker.
- **Ikke bruk elektrisk verktøy i eksplosive atmosfærer,**

som der det finnes brennbare væsker, gasser eller støv. Elektrisk verktøy skaper gnister som kan antenne støv eller gasser.

- **Hold barn og andre på avstand når et elektrisk verktøy brukes.** Distraksjon kan føre til tap av kontroll.

ELEKTRISK SIKKERHET

- **Støpslet på det elektriske verktøyet må stemme med stikkontakten. Foreta aldri noen form for endringer av støpslet. Ikke bruk noen form for adapterstøpsel til jordet elektrisk verktøy.** Umodifiserte støpsler og passende stikkontakter vil redusere risikoen for elektrisk støt.
- **Unngå kroppskontakt med jodede overflater, som vannrør, radiatorer, kokeapparater og kjøleaggregater.** Det er økt risiko for elektrisk støt dersom kroppen din har kontakt med jord.
- **Ikke utsett produktet for regn eller høy fuktighet.** Vann som trenger inn i et elektrisk verktøy vil øke faren for elektrisk støt.
- **Ikke misbruk den elektriske ledningen. Bruk aldri ledningen til å bære det elektriske verktøyet eller trekke støpslet ut av stikkontakten. Hold ledningen vekk fra varme, olje, skarpe kanter eller bevegelige deler.** Skadet eller sammenfloknet ledning øker risikoen for elektrisk støt.
- **Når du bruker det elektriske verktøyet utendørs, bruk en skjøteledning som er tilpasset utendørs bruk.** Bruk av ledning som er tilpasset utendørs bruk reduserer risikoen for elektrisk støt.
- **Dersom bruk av elektrisk verktøy i fuktige omgivelser ikke er til å unngå, bruk en strømkrets med sikring som er tilpasset verktøyet.** Bruk av strømkrets med sikring reduserer risikoen for elektrisk støt.

PERSONLIG SIKKERHET

- **Vær våken, se på hva du gjør og bruk fornuft når du arbeider med et elektrisk verktøy. Ikke bruk elektrisk verktøy når du er sliten eller under påvirkning av narkotiske stoffer, alkohol eller medisiner som kan påvirke din reaksjonsevne og/eller dømmekraft.** Et øyeblikks uoppmerksomhet når elektrisk verktøy brukes kan føre til alvorlige personskade.
- **Bruk personlig verneutstyr. Bruk alltid øyebeskyttelse.** Verneutstyr som støvmaske, skliskre vernesko, hjelm og hørselsvern som brukes ved behov, vil redusere personskader.
- **Unngå utilsikket start. Sørg for at bryteren er i posisjon OFF før utstyret kobles til strømmettet og / eller batteripakken, plukkes opp eller bæres.** Å bære det elektriske verktøyet med fingeren på startknappen eller koble strøm til et elektrisk verktøy med bryteren i ON inviterer til ulykker.
- **Fjern justeringsnøkler og annet verktøy før du setter strøm på det elektriske verktøyet.** En fastnøkkel eller annet verktøy festet til en roterende del av et elektrisk verktøy når det startes kan føre til personskade.
- **Ikke len deg for langt. Sørg for godt fotfeste og god balanse til enhver tid.** Dette gir bedre kontroll over det elektriske verktøyet i en uventet situasjon.



- **Kle deg riktig. Ikke bruk løstsittende plagg og/eller løsthengende smykker. Hold hår, klær og hansker vekke fra bevegelige deler.** Løse plagg, smykker og langt hår kan fanges opp av bevegelige deler.
- **Hvis det finnes tilkoblingsmuligheter for oppsagnings- og oppsamlingsutstyr for støv, sørg for at dette blir tilkoblet og brukt på riktig måte.** Bruk av støvoppsamler kan redusere støvrelatert faresituasjoner.

BRUK OG BEHANDLING AV ELEKTRISK VERKTØY

- **Ikke press maskinen. Bruk korrekt elektrisk verktøy for jobben som skal gjøres.** Riktig elektrisk verktøy vil gjøre jobben bedre og tryggere når det brukes slik det var tiltenkt.
- **Ikke bruk verktøyet hvis bryteren ikke slår verktøyet av og på.** Ethvert elektrisk verktøy som ikke kan kontrolleres med bryteren er farlig og må repareres før det kan brukes.
- **Trekk støpslet ut av den elektriske kontakten og/eller batteripakken fra det elektriske verktøyet før du foretar endringer, skifter tilbehør eller lagrer det elektriske verktøyet.** Slike forebyggende sikkerhetstiltak reduserer risikoen for utilsikket start av det elektriske verktøyet.
- **Oppbevar elektrisk verktøy som ikke brukes utenfor barns rekkevidde og la ikke personer som ikke er kjent med det elektriske verktøyet eller dets instruksjoner bruke det.** Elektrisk verktøy er farlig i hendene på uerfarne brukere.
- **Vedlikehold av elektrisk verktøy. Kontroller for feilinnretting og at bevegelige deler løper fritt, at det ikke finnes ødelagte deler og enhver annen tilstand som kan påvirke det elektriske verktøets drift. Hvis skadet må det elektriske verktøyet repareres før bruk.** Mange ulykker skyldes dårlig vedlikeholdt elektrisk verktøy.
- **Hold skjæveredskap skarpe og rene.** Korrekt vedlikeholdt skjæreverktøy med skarpe skjærekanter har mindre mulighet for å blokkere seg og er lettere å kontrollere.
- **Bruk det elektriske verktøyet, tilbehøret, verktøybits etc i henhold til disse instruksjonene, der du tar hensyn til arbeidsforholdene og det arbeidet som skal utføres.** Bruk av elektrisk verktøy på en måte det ikke var tiltenkt kan skape farlige situasjoner.
- **Hold håndtak og andre holdeoverflater tørre, rene og fri for olje og smøring.** Unngå at håndtak og andre holdeoverflater er glatte for det reduserer sikker håndtering og styring av verktøyet i uforutsette situasjoner.

VEDLIKEHOLD

- **Sørg for at reparasjoner og vedlikehold av ditt elektriske verktøy utføres av kvalifiserte teknikere som kun bruker originale erstatningsdeler.** Dette vil sørge for at sikkerheten med det elektriske verktøyet ivaretas.

GENERELLE TILLEGSSIKKERHETSADVARSLER

- Noen regioner har bestemmelser som begrenser bruk av dette produktet. Spør de lokale myndigheter for råd.
- Ikke tillat at barn eller personer som ikke er kjent med brukermanualen bruker produktet. Lokale forskrifter kan begrense en alder av operatøren.
- Kontroller før hver bruk at alle styreenheter og sikkerhetsanordninger fungerer som de skal. Ikke bruk dette motordrevne verktøyet hvis "av" knappen ikke stanser motoren.
- Bruk vernebriller og hørselvern, kraftige vernehansker og vernehjelm når du bruker produktet. Bruk ansiktsmaske ved støv.
- Ikke bruk løstsittende klær, korte bukser og smykker uansett type.
- Sørg for at langt hår ikke når lenger ned en til skuldrene for å hindre at det kan fanges opp av roterende deler.
- Pass deg for gjenstander som blir slengt ut, flyr eller faller gjennom luften. Hold alle tilskuere, barn og dyr minst 15 m borte fra arbeidsområdet.
- Ikke bruk i dårlig lys. Operatøren må ha klar sikt over arbeidsfeltet for å identifisere potensielle farer.
- Bruk av hørselsvern reduserer muligheten for å høre advarsler (rop eller alarmer). Brukeren må være ekstra oppmerksom med hensyn til hva som skjer på arbeidsområdet.
- Bruk av lignende utstyr i nærheten øker faren for både hørselskade og muligheten for at andre kommer inn i din arbeidssonne.
- Ha god fotfeste og ballanse til enhver tid. Ikke len deg for langt. Å bøye seg for langt over ting kan føre til at man mister balansen og øker faren for kickback.
- Hold alle deler av kroppen vekke fra bevegelige deler.
- Sjekk maskinen før hver bruk. Sjekk at alle kontrollene fungerer som de skal, inkludert kjedebremsen. Sjekk for løse fester, kontroller at alle vern og håndtak er satt på riktig og festet godt. Erstatt alle skadede deler før fortsatt bruk.
- Du må ikke endre maskinen på noe måte eller bruke deler og tilbehør som ikke er anbefalt brukt av produsenten.
- En strømtopp kan føre spenningssvingninger og kan påvirke andre elektriske produkter i samme krets. Kople produktet til et strømuttak med en vekselstrømmotstand lik eller mindre enn 0,33 Ω for å minimalisere spenningssvingninger. Ta kontakt med strømleverandøren for ytterligere avklaring.

⚠ ADVARSEL

Dersom produktet faller i bakken, får et sterkt slag eller starter å vibrere unormalt, stans produktet omgående og sjekk for skader eller finn ut hva som er årsaken for vibrasjonene. Enhver skade må repareres helt eller delen skiftes av et autorisert serviceverksted.

- Utstyret må få strøm fra en elektrisk kurs med jordfeilbryter som ikke overstiger 30 mA.
- Hvis du trenger å bruke en skjøteledning må du påse at

| |
|-----------|
| EN |
| FR |
| DE |
| ES |
| IT |
| NL |
| PT |
| DA |
| SV |
| FI |
| NO |
| RU |
| PL |
| CS |
| HU |
| RO |
| LV |
| LT |
| ET |
| HR |
| SL |
| SK |
| BG |
| UK |
| TR |



kabelen egner seg for utendørs bruk og at kapasiteten tilfredsstiller produktets behov. Sjekk for skader før hver bruk. Rull alltid ut ledningen under bruk for sammenrullede ledninger kan bli overopphetet. Skader på skjøteledninger må ikke repareres med skiftes ut med tilsvarende type ledning.

- Hvis strømkabelen blir skadet, må den skiftes ut før bruk.
- Sjekk at ledningen er lagt slik at den ikke kan bli skadet av kuttenheten og at ingen trækker eller snubler i den, eller at ledningen er utsatt for skade eller stress.
- Plukk aldri opp eller bær produktet i den elektriske ledningen.
- Ikke trekk i ledningen for å frigjøre støpslet fra stikkkontakten.
- Hold ledningen vekke fra varme, olje og skarpe kanter.
- Før hver bruk skal strømledningen sjekkes for skader. Hvis det er tegn til skade må ledningen erstattes av en kvalifisert person ved et autorisert servicesenter for å unngå fare.

KJEDESAG SIKKERHETSADVARSLER

- **Hold alle deler av kroppen på avstand fra sagkjeden når produktet er i bruk. Før du starter kjedesagen, påse at saken ikke er i kontakt med noe.** Et øyeblikk med uoppmerksomhet når du bruker kjedesagen kan føre til at klærne eller kroppen blir klemt inn i sagens kjede.
- **Hold kjedesagen alltid med høyre hånd på bakhåndtaket og venstre hånd på fremre håndtak.** Hvis man holder kjedesagen omvendt, øker risikoen for personskade og det bør derfor aldri gjøres.
- **Det elektriske verktøyet skal bare holdes i grepet, ettersom sagkjeden kan komme i kontakt med skjulte kabler eller sin egen ledning.** Kjeder som er i kontakt med strømførende ledninger kan gjøre metalldeleler på elektroverktøyet strømførende, noe som kan føre til at brukeren får elektrisk støt.
- **Bruk vernebriller og hørselvern. Annet verneutstyr for hode, hender, bein og føtter anbefales.** Passende verneklær vil redusere personskader utløst av smuss som slenges ut og utilsikket kontakt med kjede.
- **Ikke bruk kjedesagen i et tre.** Bruk av kjedesagen mens man befinner seg i et tre kan føre til personskader.
- **Stå alltid stødig og bruk kjedesagen kun når du står på en fast, sikker og jevn overflate.** Et glatt eller ustabil underlag som stiger kan føre til at man taper balansen eller mister kontrollen over kjedesagen.
- **Når du kutter en gren som er under spenning, vær oppmerksom på at det kan sprette tilbake.** Når spenningen i trefibrene slippes, kan den fjærbelastede grenen sprette tilbake på operatøren og/eller slenge kjedesagen ut av kontroll.
- **Vær ekstremt forsiktig når du kutter busker og skudd.** Slikt tynt materiale kan hekte seg fast i kjede og bli slengt mot deg eller dra deg ut av balanse.
- **Bær kjedesagen ved å holde i fronthåndtaket ved at kjedesagen er skrudd av og alltid unna kroppen. Når du skal transportere eller lagre kjedesagen, sett**

alltid på dekselet. Riktig håndtering av kjedesagen vil redusere sannsynligheten for utilsikket kontakt med kjedesagen som er i bevegelse.

- **Følg instruksene for smøring, kjedestramming og bytte av tilleggsutstyr.** Et feilstrammet eller feilsmurt kjede kan sprekke eller øke faren for kickback.
- **Hold håndtakene tørre, rene og fri for olje og fett.** Håndtak som er fettete eller tilsølt med olje kan føre til at du mister kontrollen over saken.
- **Kun til trekutting. Ikke bruk kjedesagen for annet enn tilsikket bruk. F.eks. må du ikke bruke kjedesagen for å kutte plast, mur eller byggematerialer som ikke er tre.** Bruk av kjedesagen for arbeider som avviker fra de tilsiktede, kan føre til farlige situasjoner.

Årsaker til kickback og hvordan hindre de:

Det kan oppstå tilbakeslag når tuppen på sverdet kommer borti en gjenstand eller når sagkjeden knipes eller låses fast i treverket under sagingen.

Kontakt med tuppen kan i noen tilfeller føre til en plutselig reversreaksjon, slik at sagsverdet spretter bakover mot brukeren.

Blokking av sagkjedet langs toppen av sverdet vil kunne skyve sverdet hurtig tilbake mot brukeren.

Begge disse reaksjonene kan medføre at du mister styringen på saken, og det kan føre til alvorlige personskader. Du må ikke bare stole blindt på de sikkerhetsanordninger som er innebygget i sagen. Som bruker av en motorsag må du ta flere forholdsregler for å beskytte deg mot ulykker og skader.

En kickback er resultatet av misbruk av verktøyet og/eller feil bruksprosedyrer eller forhold som kan unngås ved å ta riktige forholdsregler som følger:

- **Hold verktøyet fast, med tommelen og fingrene rundt kjedesagens håndtak, med begge hendene på saken og med kroppen og armene slik at du klarer å motstå kickback.** Kickback-kreftene kan kontrolleres av brukeren hvis man tar de riktige forholdsreglene. Ikke slipp taket på kjedesagen.
- **Ikke strekk deg over den og ikke kutt over skulderhøyde.** Det bidrar til å hindre utilsikket kontakt med tuppen og sikrer bedre kontroll over kjedesagen i uventede situasjoner.
- **Bruk kun reservedeler for skinnen og kjede i samsvar med produsentens spesifikasjoner.** Feil reservedeler for skinnen og kjede kan føre til at kjede brister og/eller kickback.
- **Følg fabrikantens anvisninger for kvessing og vedlikehold av sagkjeden.** Ved å minske høyden på dybdemåleren, er det større fare for kickback.

GENERELLE TILLEGGSADVARSLER FOR KJEDESAGEN

- Det anbefales å kutte tømmer på en sagbukk eller lignende når man bruker produktet for første gang.
- Påse at alle verneanordninger, håndtak og piggvernet er påsatt riktig og i god stand.
- Personer som bruker dette produktet må være ved god helse. Produktet er tungt, så operatøren må være fysisk i god form. Brukeren må være oppmerksom, ha godt



syn, mobilitet, balanse og være høyrehendt. Ikke bruk produktet hvis du er i tvil om anvendelsen.

- Ikke start å bruke produktet inntil du har et ryddet arbeidsområde, står trygt, og en planlagt fluktvei unna et fallende tre er klarlagt.
- Pass deg for utslipp av smøredamp og sagstøv. Bruk maske eller helmaske ved behov.
- Hvis strømkabelen blir skadet, få utført service på produktet kun av et autorisert servicesenter.
- Hold alltid strømledningen ryddig og unna kutteområde. I tillegg til faren for å bli utsatt for dødelig elektrisk støt, kan krøllete ledninger føre til at man snubler og faller.
- Ikke kutt slyngplanter og/eller buskas (mindre enn 75 mm i diameter).
- Hold alltid motorsagen med to hender under bruk. BRUK ET FAST GREP, og grip om håndtakene med alle fingrene. Høyre hånd må være på bakre håndtak og venstre håndtak på fronthåndtaket.
- Se til at kjedet ikke er i kontakt med noen gjenstander før du begynner å bruke produktet.
- Produktet må ikke endres på noen måte. Det skal heller ikke brukes til å drive innsatser eller enheter som ikke er anbefalt av sagprodusenten.
- Du bør ha et førstekjelpsskrin med store sårbind og utstyr for å tilkalle hjelp (f.eks. fløyte) stående nær deg. Et større, mer velutstyrt skrin bør være innen rekkevidde.
- Ha alltid på deg en hjelm når du bruker produktet. En hjelm, utstyrt med øyeskjerm, kan hjelpe med å redusere skade på ansiktet og hodet hvis en gjenstand kommer raskt mot deg.
- Feil spenning i kjede kan føre til at sagsverdet spretter av og fører til alvorlige personskader eller død. Kjedes lengde er avhengig av temperaturen. Sjekk spenningen ofte.
- Du kan bli vant til din nye kjedesag ved å gjøre enkle kutt på trygt støttet trevirke. Gjør det hver gang du ikke har brukt sagen på en stund.
- Skaderisikoen forbundet med flyvende gjenstander kan reduseres hvis du alltid stanser motoren, bruker kjettingbremsen og fjerner pluggen fra strømuttaket. Påse at alle bevegelige deler har stoppet helt:
 - før produktet etterlates uten oppsyn
 - før du renser eller åpner tette enheter
 - før installasjon eller fjerning av tilbehør
 - før kontroll, vedlikehold og arbeider på produktet
- Størrelsen på arbeidsområdet avhenger av hvilken jobb som skal gjøres, og av størrelsen på det treet eller det arbeidsstykket du skal arbeide med. F.eks. krever felling av et tre et større arbeidsområde enn når man bare kutter, f.eks. oppkapping osv. Brukeren må være oppmerksom og ha kontroll over alt som skjer i arbeidsområde.
- Ikke kutt hvis du har kroppen på linje med sagsverdet og kjede. Hvis det oppstår kickback vil du slik bidra til å hindre at kjede kan komme i kontakt med hode eller kroppen din.
- Ikke bruk en bakover og framover sagebevegelse, å kjede gjøre arbeidet, hold kjede skarpt og ikke prøv å

dytte kjede gjennom kuttet.

- Ikke trykk på sagen ved slutten av kuttet. Vær klar for å ta imot vekten av sagen når den har kuttet gjennom treet. Å unnlate å gjøre det kan føre til alvorlig personskade.
- Ikke stans sagen midt i kutteprosessen. Hold sagen i gang inntil den helt er fjernet fra kuttet.

Personlig verneutstyr

Personlig verneutstyr av god kvalitet som profesjonelle bruker, vil hjelpe til å redusere faren for personskader hos brukeren. Følgende ting bør brukes når du bruker kjedesagen:

Vernehjelm

- bør være iht. EN 397 og merket med CE

Hørsevern

- bør være iht EN 352-1 og merket med CE

Beskyttelse for øyne og ansikt

- bør være CE-merket og iht. EN 166 (for vernebriller) eller EN 1731 (for masker med gitter)

Hansker

- bør være iht. EN381-7 og merket med CE

Beinbeskyttelse (chaps)

- bør være iht. EN 381-5, være CE-merket og gi helhetlig beskyttelse.

Kjedesag vernestøvler

- bør være iht. EN ISO 20345:2004, være merket med et piktogram med kjedesag for å vise at det er iht. EN 381-3. (De som bruker enheten av og til kan bruke vernesko med ståltopt og gamasjer iht. EN 381-9 hvis bakken er jevn og det er liten fare for å å snuble eller hekte seg fast i lyngen)

Kjedesagjakke for å beskytte kroppen

- bør være iht EN 381-11 og merket med CE

ANVISNINGER OM RIKTIG TEKNIKK FOR GRUNNLEGGENDE FELLING, KVISTING OG KRYSSKUTTING

Å forstå kreftene i trevirke

Når du har forstått retningstrykk og stresskrefter i trevirke, kan du redusere "klem" eller i det minste forvente de under kutting. Spenninger i trevirke betyr at fibrene blir dratt fra hverandre og his du kutter inn i et slikt område, vil sagsnittet eller kuttet prøve å åpne seg mens sagen går gjennom. Hvis et tømmer er støttet opp på en sagbuk og enden henger uten støtte over enden, da vil spenningen som oppstår strekke fibrene på øvre overflate på grunn av vekten på det overhengende tømmeret. Tilsvarende vil undersiden være i kompresjon og fibrene blir presset sammen. Hvis et kutt gjøres i dette område, vil sagsnittet ha en tendens til å lukke seg under kuttet. Det vil klemme kjede.

Felle et tre

Se side 273 - 274.

Når oppkapping og felling gjøres av to eller flere personer samtidig, bør fellingen gjøres adskilt fra kappingen på en avstand minst dobbel så stor som høyden på treet som felles. Trær bør ikke felles på en slik måte at man setter personer i fare, treffer en strømledning eller forårsaker

| |
|-----------|
| EN |
| FR |
| DE |
| ES |
| IT |
| NL |
| PT |
| DA |
| SV |
| FI |
| NO |
| RU |
| PL |
| CS |
| HU |
| RO |
| LV |
| LT |
| ET |
| HR |
| SK |
| SL |
| BG |
| UK |
| TR |





materielle skader. Hvis treet kommer i kontakt med en strømledning, må selskapet kontaktes omgående.

Motorsagbrukeren bør stå høyere enn treet i en evt. skråning, slik at treet mest sannsynlig vil rulle eller gli nedover skråningen etter at det er felt.

Man bør ha en fluktvei klar og rensket etter behov før man starter kappingen. Fluktveien bør være utvidet bakover og diagonalt for bakkdelen av forventet falllinje.

Før du starter felling, ta med i beregningen treets naturlige helling, hvor større grener er og vindretningen for å avveie hvor treet vil falle.

Fjern møkk, steiner og løst bark, spiker, stifter og wire fra treet.

Ikke prøv å felle trær som er råtnete eller har blitt skadet av vind, brann, lynnedslag eller liknende, da dette er ekstremt farlig og bare bør utføres av profesjonelle arborister.

- Lage styreskjæret
Se side 273 - 274.

Lag hakket 1/3 av diameteren på treet, vinkelrett til fallretningen. Lag den nedre vannrette innsnittet først. Slik vil du unngå at kjede eller sagsverdet blir klemt når det andre snittet lages.

- Lage felleskjæret
Se side 273 - 274.

Lag felleskjæret minst 50 mm høyere enn det vannrette styreskjæret. Hold felleskjæret parallelt til styreskjæret. Lag felleskjæret slik at det er nok trevirke igjen for at det blir som en hengsel. Hengselen hindrer at treet vil vri seg og falle i feil retning. Ikke kutt gjennom hengselen. Når felleskjæret nærmer seg hengselen, bør treet starte å falle. Hvis det er noe mulighet for at treet ikke vil falle i ønsket retning eller kan bikke bakover og klemme sagens kjede, stans kuttingen før felleskjæret er kuttet ferdig og bruk så kiler i tre, plastikk eller aluminium for å åpne kuttet, slik at treet kan falle i ønsket retning.

Når treet begynner å falle, fjern kjedesagen fra kuttet, stans motoren, sett ned kjedesagen og bruk deretter veien som var planlagt for tilbaketrekking. Vær oppmerksom på grener som kan falle ovenfra og pass på hvor du trækker.

Fjerne støtterøtter

Se side 274.

En støtterot er en stor rot som går ut fra stammen på treet over jorden. Støtterøtter bør fjernes før treet felles. Sag først det vannrette kuttet inn i roten, deretter det vertikale. Fjern den løse delen fra arbeidsområdet. Følg korrekt prosedyre for felling etter at du har fjernet de store støtterøttene.

Skyvende og trekkende

Reaksjonskraften går alltid motsatt vei av den retningen sagkjeden beveger seg. Således må operatøren være klar til å styre produktets tendens til å trekke seg unna (foroverbevegelse) ved kapping på den nedre kant av stolpen. Holt et fast grep i støtfangerpiggen for å unngå en slik bevegelse. Produktet kan skyves bakover (mot operatøren) ved kutting langs den øvre kanten. Søk for at kjedet ikke sitter fast når du skjærer langs den øvre kanten for å unngå dette.

Sag kjørt fast i kuttet.

Stans kjedesagen og sikre den. Ikke prøv å forsere kjede og skinnen ut av kuttet for det vil sannsynligvis føre til at kjede vil briste og slå mot brukeren. Denne situasjonen oppstår vanligvis når trevirket ikke er støttet opp riktig slik at kuttet blir presset sammen etterhvert som man fortsetter, noe som klemmer bladet i kuttet. Hvis justering av støtten ikke løser skinnen og kjedet, bruk trekklere eller et brekkjern for å åpne kuttet og frigjøre saken. Du må aldri prøve å starte kjedesagen når sagsverdet allerede er i et kutt eller sagsnitt.

Rulling/hopping

Når motorsagen ikke graver inn under en kapping, kan førestangen begynne å hoppe eller skli på farlig måte langs overflaten av stokken eller grenen, slik at det kan føre til tap av kontrollen over motorsagen. For å forhindre eller redusere rulling eller hopping, bruk alltid saken med begge hender. Se til at sagkjeden oppretter et spor for kappingen. Kutt aldri små, fleksible grener eller børster med motorsagen. Størrelsen og/eller bøyeligheten kan føre til at saken spretter mot deg eller at saken blokkeres med såpass stor styrke at den gir et tilbakeslag. Det beste verktøyet for den slags arbeid er en håndsag, hagesaks, "en øks og andre former for håndverktøy.

Kappe opp stammen.

Se side 275.

Kappe opp stammen i mindre lengder. Det er viktig at du står stødig og vekten er fordelt jevnt på begge føtter. Hvis mulig, skal tømmerstokken løftes og støttes ved hjelp av grener, andre stokker eller klosser. Følg disse enkle anvisningene for lettere kapping. Når tømmerstokken er støttet over hele lengden, kutter du ovenfra.

Når tømmerstokken er støttet i en ende, kutt 1/3 av diameteren fra undersiden. Deretter fullfører du kuttet ovenfra slik at du møter kuttet fra undersiden.

Når tømmerstokken er støttet i begge ender, kutt 1/3 av diameteren fra oversiden. Deretter fullfører du kuttet nedenfra slik at du møter det første kuttet.

Kutter du i en skråning, stå alltid på oversiden av tømmerstokken. Når du kutter gjennom, slipp opp kuttetrykket nær enden av kuttet for å beholde kontrollen, men uten å slippe opp grepet på kjedesagens håndtak. Kjede må ikke komme i kontakt med bakken. Etter at du har fullført kuttet, vent til kjedesagen har stanset før du flytter kjedesagen. Stopp alltid motoren før du går fra et tre til neste.

Kviste et tre

Se side 276.

Å kviste betyr å fjerne grener fra treet som er felt. Under kvistingen la større grener lenger ned bli igjen for å støtte opp tømmerstokken. Fjern de små grenene i ett kutt. Grener under spenning bør kuttes fra undersiden og opp for å unngå at saken går i klem.

Fjærstenger

Se side 276.

En stamme som står i spenn, kan være alle stammer, gjenstående stubber eller renninger som er bøyd av andre



trær og står i spenn, slik at de vil slå opp når det som holder dem fjernes eller sages bort.

På et nedfelt tre kan rotstubben ha høy risiko for å slå tilbake når du kapper stammen fri fra stubben. Se opp for stammer som står i spenn, de er farlige. Ikke gjør forsøk på å kappe bøyd grener eller deler av treet som er under press dersom du ikke har profesjonell opplæring og er kompetent til å gjøre det.

⚠ ADVARSEL

Stammer som står i spenn er farlige; de kan slå til brukeren slik at han mister kontrollen over sagen. Dette kan forårsake alvorlig eller dødelig skade på brukeren. Dette bør kun gjøres av erfarne brukere.

TRANSPORT OG LAGRING

Se side 281 - 284.

- Stopp produktet og koble det fra strømforsyningen. La produktet kjøle seg ned før oppbevaring eller transport i et kjøretøy.
- Fjern alle fremmedelementer fra produktet. Lagres på et kjølig, tørt og godt ventilert sted som er tilgjengelig for barn. Hold den borte fra korrosive materialer, så som ugressmidler og veisalt. Ikke oppbevar utendørs.
- Sett på sverddekslet før du lagrer enheten eller under transport.
- Ved transport må produktet sikres mot å komme i bevegelse eller falle for å unngå skade på personer eller produktet.

VEDLIKEHOLD

Sørg for at produktet alltid er i god stand.

⚠ ADVARSEL

Bruk kun produsentens originale reservedeler, tilleggsgutstyr og påsatser. Dersom dette ikke følges, kan det forårsake personskader, dårlig funksjon og kan annullere garantien din.

⚠ ADVARSEL

Service krever meget stor forsiktighet og kunnskap og bør utføres kun av kvalifisert teknisk personale. Få utført service på produktet kun av et autorisert servicesenter. For service av maskinen, bruk kun produsentens originale reservedeler.

⚠ ADVARSEL

Koble produktet fra strømkilden før rengjøring, justeringer og vedlikehold av produktet. Hvis denne advarselen ikke følges, kan det føre til alvorlig personskade.

- Du kan bare foreta justeringer og reparasjoner som er beskrevet i denne brukermanualen. For andre reparasjoner få utført service på produktet av et autorisert servicesenter.

- Feil vedlikehold, fjerning eller endring av slike sikkerhetsanordninger som kjedebremser, håndvern (foran og bak), forsterket støtdemper, kjedefanger, styrestang og sagkjede med lite tilbakeslag kan føre til at sikkerhetsanordningene ikke fungerer riktig, med økt fare for alvorlig personskade. Hold sagen profesjonelt vedlikeholdt og sikkert.
- Kvessing av kjeden på en sikker måte er en avansert operasjon. Derfor anbefaler produsenten sterkt at en slitt eller sløv kjede erstattes med en ny, som kan fås hos et autorisert servicesenter. Delenummeret står i tabellen over produktspesifikasjoner i denne manualen.
- Følg anvisningene for smøring samt kontroll og justering av kjedespenningen.
- Etter hver bruk, rens produktet med en myk tørr klut.
- Kontroller all mutter, bolter og skruer med jevne mellomrom at de er skrudd fast for å sikre at utstyret er i driftssikker stand. Enhver del som er skadet må repareres eller skiftes ut ved et autorisert serviceverksted.

GJENVÆRENDE RISIKO

Selv om utstyret brukes som beskrevet er det ikke mulig å unngå enhver gjenværende risiko. Følgende faresituasjoner kan oppstå ved bruk, og operatøren må legge spesielt vekt på å unngå følgende:

- Personskade på grunn av vibrasjon
 - Bruk alltid riktig verktøy for jobben. Bruk tilegnede håndtak. Begrens arbeidstiden og eksponeringen.
- Eksponering for støy kan føre til hørselskader.
 - Bruk hørselvern og begrens eksponeringen.
- Kontakt med eksponerte sagtenner av på kjeden (kuttfare).
- Uforutsette brå bevegelser eller tilbakeslag fra sverdet (fare for kuttskader).
- Deler som slenges ut av kjedesagen (kutte/innskytingsfare).
- Biter av trevirke (trefliser, splinter).
- Innånding av sagstøv og partikler.
- Hudkontakt med olje.

FAREREDUKSJON

Det foreligger rapporter om at vibrasjoner fra håndholdt verktøy for enkelte personer kan bidra til en tilstand som kalles Raynauds Syndrome. Symptomene kan omfatte følelsesløshet og gjøre fingrene bleke, vanligvis synlig ved eksponering til lave temperaturer. Arvelige faktorer, eksponering mot lave temperaturer og fuktighet, diett, røyking og arbeidspraksis blir alle ansett for å kunne bidra til å utvikle disse symptomene. Brukeren kan iverksette tiltak for mulig å redusere virkningene av vibrasjonene:

- Hold kroppen din varm i kaldt vær. Bruk hansker og hold hender og vrister varme ved bruk av gressklipperen. Det er rapportert at kaldt vær er en viktig faktor som bidrar til Raynauds Syndrome.
- Etter hver arbeidsperiode bør det utføres øvelser for å øke blodsirkulasjonen.
- Ta ofte pauser fra arbeidet som utføres. Begrens

mengden av eksponering pr. dag.

- Vernehansker fås hos profesjonelle forhandlere av kjedesager og er spesielt utformet til bruk med kjedesagen slik at de beskytter, gir godt grep og også reduserer effekten av håndtakvirbrasjonene.

Hvis du opplever noen av symptomene på denne tilstanden må du øyeblikkelig avbryte arbeidet og oppsøke en lege med disse symptomene.

⚠ ADVARSEL

Hvis man bruker verktøyet for lenge av gangen, kan det føre til eller forverre allerede eksisterende personskade. Når du bruker et verktøy over en lenger tidsperiode, husk å ta regelmessige pauser.

KJENN PRODUKTET DITT

Se side 267.

1. Kjede
2. Sverd
3. Håndvern/kjedebremser
4. Fremre håndtak
5. Utløser for gasshåndtak
6. Bakre håndtak
7. Fenderlist
8. Løkk for oljetank
9. Trådholder
10. Bryterens på-knapp
11. Tanndeksel
12. Kjedestramming / Låseknot for sverdet
13. Sagsverddeksel
14. Kjedefanger

SIKKERHETSANORDNINGER

Sagkjede med lav risiko for tilbakeslag

Et sagkjede med lav kickback bidrar til å redusere muligheten for at kickback oppstår.

Renseknastene (dybdeknastene) foran hver tann kan minske kraften i et tilbakeslag ved at de hindrer tennene å grave seg for dypt ned i tilbakeslagssonen. Ved utskifting må du kun bruke sagsverd og kjeder som produsenten anbefaler i kombinasjon med hverandre.

Når du kverser tennene, mister de noe av sin evne til å hindre tilbakeslag, og da må du være ekstra forsiktig. For din sikkerhet, bør du skifte kjede når det begynner å kappe dårligere.

Fenderlist

Den integrerte fenderlisten kan brukes som dreiesenter når man gjør et kutt. Det hjelper å holde motoren til kjedesagen rolig under kuttingen. Når du kutter, dytt maskinen forover inntil piggene graver seg inn i treverkets kant, deretter flytter du øverste håndtak oppover eller nedover, dvs. i retning av kuttelinjen slik at man letter på den fysiske tyngden kuttingen utgjør.

Sverd

Generelt sett har sverd med liten radius på tuppen noe mindre potensiale for tilbakeslag. Du bør bruke et sagsverd

og passende kjede som er passende stort for jobben. Lange sverd øker risikoen for at man kan tape styringen under sagingen. Sjekk kjedespenningen regelmessig. Når du kutter mindre grener (under full lengde på sagsverdet), er det større mulighet for at kjede spretter av hvis spenningen ikke er riktig.

Kjedebremser

Kjedebremser er konstruert for å stoppe kjedens rotasjon øyeblikkelig. Når hendelen for kjedebremser trykkes mot sverdet, skal kjeden stoppe øyeblikkelig. En kjedebremser forhindrer ikke tilbakeslag. Det vil kun redusere risikoen for personskade dersom sagsverdet kommer i kontakt med brukerens kroppsdeler ved en kickback. Kjedebremser bør testes før hvert bruk at den fungerer som den skal i begge posisjoner, åpen og utløst.

Kjedefanger

En kjedefanger hindrer at sagkjedet blir kastet tilbake mot operatøren hvis det løsner eller ryker.

MONTERING

⚠ ADVARSEL

Om noen deler er skadet eller mangler ikke bruk dette produktet før det er reparert eller erstattet. Å ikke følge denne advarselen kan føre til alvorlig personskade.

MONTERING AV KJEDESAGEN OG SAGSVERDET

Se side 268 - 269.

1. Trekk ut hovedstøpslet. Bruk vernehansker.
2. Skru opp sverdets låseknot og fjern tannhjuldekslet.
3. Sagkjede bør være vendt i retning av kjederotasjonen. Hvis de snur bakover, snur du løkken.
4. Plasser kjedeledene i sporet på sverdet.
5. Legg kjeden slik at det er en fri løkke ved bakenden på sverdet.
6. Hold kjede i riktig posisjonen i forhold til sverdet og ta det rund drivtennene. Senk sverdet slik at boltene går gjennom hullet i den påsatte kjedespenningsenheten.
7. Skift ut ledehjuldekslet og stram deretter til kjedestrammingen / føringsstangens låseknot ved å dreie den med klokka inntil den låses på plass. Kontroller kjedestrammingen hyppig. Kjedespenningen er riktig når mellomrommet mellom kutteren i kjede og sverdet er mellom 3 mm og 4 mm. Dra i kjede midt på undersiden av sverdet nedover (unna sverdet) og mål avstanden mellom sverdet og kjedekutterne.
8. Trekk til og lås kjedestrammingen / føringsstangens låseknot ved å dreie den med klokka.

JUSTERE KJEDESTRAMMINGEN

Se side 279.

1. Koble fra strømforsyningen. Bruk vernehansker.
2. For å korrigere kjedestrammingen løsne kjedestrammingen / føringsstangens låseknot, trekk deretter til kjedestrammingen / føringsstangens låseknot ved å dreie på plass med klokka. Kontroller kjedestrammingen hyppig.



Kjedespenningen er riktig når mellomrommet mellom kutteren i kjede og sverdet er mellom 3 mm og 4 mm. Dra i kjede midt på undersiden av sverdet nedover (unna sverdet) og mål avstanden mellom sverdet og kjedekutterne.

3. Trekk til og lås kjedestrammingen / føringsstangens låseknot ved å dreie den med klokka.

MERK: Se til at stangen og kjedestrammingsenheten beveger seg fritt uten smuss og at sagkjeden er riktig sløyfet rundt tannhjulet. Hvis kjedestrammingen er for stram eller for løs etter låsing a kjedestrammingen/ føringsstangens låseknot, kontroller om føringsstangen og kjedestrammingsenheten er rene og riktig montert.

Ved behov fjern tannhjuldekslet og føringsstangen for rengjøring, re monter deretter delene.

BETJENING

FYLL KJEDESMØREOLJE

Se side 269.

⚠ ADVARSEL

Du må aldri jobbe uten kjedesmøring. Hvis kjede går uten smøring, kan sagsverdet og kjede bli skadet. Det er avgjørende å ofte kontrollere oljenivåmåleren og å gjøre det før du begynner å bruke motorsagen.

1. Rengjør område rundt oljedekselet for å hindre forurensing.
2. Skru opp og ta av dekslet til oljetanken.
3. Hell oljen inn i oljetanken og følg med på oljemåleren. Pass på at smuss ikke kommer inn i oljetanken mens du fyller på oljen.
4. Sett tilbake oljedekselet og skru fast. Tørk bort eventuelt søl.
5. En full oljetank er nok til å bruke aken i 12 - 18 minutter.

HOLDE MOTORSAGEN

Se side 269.

Hold kjedesagen alltid med høyre hånd på bakhåndtaket og venstre hånd på fremre håndtak. Ta tak i begge håndtak slik at du griper rundt med tommel og fingre. Påse at din venstre hånd holder fronthåndtaket slik at tommelen er under.

⚠ ADVARSEL

Hold alltid strømledningen ryddig og unna kutteområde. I tillegg til faren for å bli utsatt for dødelig elektrisk støt, kan krøllete ledninger føre til at man snubler og faller.

STARTE MOTORSAGEN

Se side 269.

1. Koble produktet til et strømuttak. Påse at kjedebremsen er i driftsposisjon ved å trekke spaken/håndvernet bakover.
2. Slik starter du maskinen: Trykk på utløserfrigivelsen, og trykk deretter på på/av-utløseren.

SJEKK OG BRUK AV KJEDEBREMS

1. Utløs kjedebremsen ved å rotere din venstre hånd rundt fronthåndtaket. Med håndbaken dytter du kjedebremsspaken/håndvernet mot sverdet mens kjede roterer raskt. Kjeden skal slutte å rotere umiddelbart. Påse å at du til enhver tid holder i saghåndtakene.
2. Sett kjedebremsen tilbake til fri ved å ta tak i kjedebremsspaken / håndvernet og dra fronthåndtaket inntil du hører et klikk.

⚠ ADVARSEL

Hvis kjedebremsen ikke stopper kjeden med det samme eller kjedebremsen ikke holder seg i driftsstilling uten hjelp, må maskinen leveres inn til et autorisert serviceverksted for reparasjon før bruk.

UTSKIFTNING AV FØRINGSSTANGEN OG SAGKJEDEN

Se side 277 - 278.

1. Koble fra strømforsyningen. Bruk vernehansker.
2. Lås opp kjedestrammingen / føringsstangens låseknot ved å dreie den mot klokka inntil ledehjuldekslet blir løst.
3. Fjern tanndekselet. Ta sverdet og kjede av enheten.
4. Fjern skruen som holder føringsstangen til kjedestrammingsenheten. Kast den brukte stangen og sagkjeden på riktig måte.
5. Monter kjedestrammingen på det nye sverdet, og stram til skruen. Sett det nye kjede i riktig retning på sverdet og sikre at kjøleledene er i flukt med fordypningene på sverdet.
6. Fest sverdet til kjedesagen og legg kjede rund drivtennene.
Sett på igjen tanndekselet.
7. Trekk til og lås kjedestrammingen / føringsstangens låseknot ved å dreie den med klokka.

Kjedespenningen er riktig når mellomrommet mellom kutteren i kjede og sverdet er mellom 3 mm og 4 mm. Dra i kjede midt på undersiden av sverdet nedover (unna sverdet) og mål avstanden mellom sverdet og kjedekutterne.

Juster kjedespenningen. Se i kapitlet "Juster kjedespenningen".

⚠ ADVARSEL

Feil kvessing øker risikoen for tilbakeslag.

⚠ ADVARSEL

Hvis du unnlater å skifte eller å reparere en skadet kjede, kan det føre til alvorlige personskader.

⚠ ADVARSEL

Tenne på sagkjeden er veldig skarpe. Du må alltid bruke hansker når du vedlikeholder kjeden.



KONTROLL OG RENGJØRING AV KJEDEBREMSEN

Se side 280.

- Hold alltid mekanismen til kjedebremsen ren ved lett å børste over leddene slik at de er smussfrie.
- Sjekk alltid at kjedebremsen fungerer etter rengjøring. Les i avsnittet «Drift – slik kontrollerer og bruker du kjedebremsen» i denne bruksanvisningen for ekstra informasjon.

VEDLIKEHOLDSPLAN

| Daglig sjekk | |
|----------------------|---------------------------------|
| Strømkabel for skade | Før hver gangs bruk |
| Sverdsmøring | Før hver gangs bruk |
| Kjedestramming | Før hver bruk og regelmessig |
| Kjedeskarpheit | Før hver bruk, visuell kontroll |
| Skadede deler | Før hver gangs bruk |
| Løse festemidler | Før hver gangs bruk |
| Kjedebremsefunksjon | Før hver gangs bruk |
| Undersøk og rengjør: | |
| Skinne | Før hver gangs bruk |
| Hele sagan | etter hvert bruk |
| Kjedebremse | Hver 5 driftstimer |

*Antall timer drift

SYMBOLER PÅ PRODUKTET



Sikkerhetsalarm



For å redusere faren for personskade må brukeren ha lest og forstått bruksanvisningen før produktet tas i bruk.



Bruk beskyttelse for øyne, hørsel og ansiktet.



Anvend glisikkert fotteøy ved bruk av dette produktet.



Bruk kraftige, sklisikre hansker.



Fjern øyeblikkelig støpslet fra stikkkontakten dersom ledningen er skadet eller skåret over.



Vær klar over faren for tilbakeslag fra kjedesagen og unngå kontakt med sverdtuppen.



Ikke utsette for regn eller fuktige forhold.



Hold og bruk kjedesagen med begge hender.



Hold ikke kjedesagen med bare én hånd når du bruker den.



Dette verktøyet overholder samtlige standarder i det EU-landet det er kjøpt i.



EurAsian Konformitetstegn



Klasse II verktøy, dobbelisolasjon



Ukrainsk merke for konformitet

001



Avfall fra elektriske produkter skal ikke kastes sammen med husholdningsavfall. Vennligst resirkulervede eksisterende avfallsbehandlingssted. Undersøk hos dine lokale myndigheter eller forhandler for råd om resirkulering.



Garantert lyd nivå er 104 dB (RCS1935B)



Garantert lyd nivå er 105 dB (RCS2340B)



Smøring for sverd og kjede



Kjedebremse



Roter for å låse eller låse opp føringsstangen



Lås



Låse opp



Bevægelsesretning på kjedet. (Merket under tannhjuldekslet)

SYMBOLER I DENNE MANUALEN



Tilkoble til strømkontakten



Ta ut av strømkontakten



Deler eller tilbehør solgt separat



Nb



Advarsel



Bruk beskyttelse for øyne og ansiktet.



Bruk verneutstyr for øvre kroppsdeler.



Bruk beinbeskyttelse.



Stopp produktet.

Følgende symboler og betydninger forklarer risikonivået som er assosiert med dette produktet.

FARE

Indikerer en øyeblikkelig farlig situasjon, som, hvis ikke unngås, kan resultere i død eller alvorlig personskade.

ADVARSEL

Indikerer en potensiell farlig situasjon, som, hvis ikke unngås, kan resultere i død eller alvorlig personskade.

FORSIKTIGHETSREGEL

Indikerer en potensiell farlig situasjon, som, hvis ikke unngås, kan resultere i mindre eller moderat personskade.

FORSIKTIGHETSREGEL

Uten sikkerhetsvarselsymbol

Indikerer en situasjon som kan føre til skade på eiendom.

EN

FR

DE

ES

IT

NL

PT

DA

SV

FI

NO

RU

PL

CS

HU

RO

LV

LT

ET

HR

SL

SK

BG

UK

TR

В основе конструкции вашей цепной пилы лежат принципы безопасности, продуктивности и надежности.

НАЗНАЧЕНИЕ

Цепная пила предназначена для использования только вне помещений. Из соображений безопасности всегда необходимо эксплуатировать инструмент, управляя им двумя руками.

Данный инструмент предназначен для распила веток, стволов, бревен и бруса, диаметр которых определяется длиной резания пильной шины. Предназначено только для распила дерева. Данное изделие может использоваться только в бытовых целях совершеннолетними, прошедшими достаточную подготовку в отношении угроз и профилактических мер/действий при эксплуатации изделия.

К использованию устройством не должны допускаться дети или лица без соответствующих средств защиты и одежды. Он не предназначен для использования профессиональными службами озеленения.

Не используйте устройство для каких-либо иных целей.

⚠ ОСТОРОЖНО

При использовании устройства необходимо соблюдать правила техники безопасности. В целях вашей безопасности и безопасности окружающих необходимо прочитать и полностью уяснить настоящие инструкции перед эксплуатацией устройства. Вам необходимо пройти профессионально организованные курсы по безопасности эксплуатации, профилактическим действиям, первой помощи и техническому обслуживанию цепных пил. Сохраните данные инструкции для последующего использования.

⚠ ОСТОРОЖНО

Цепные пилы являются потенциально опасными инструментами. Несчастные случаи, связанные с использованием цепных пил, обычно приводят к повреждению конечностей и летальному исходу. Но не только сама цепная пила может быть источником опасности. Падающие ветви, сваливающиеся деревья, укатывающиеся бревна могут убить человека. Поврежденная или сгнившая древесина представляет дополнительную опасность. Вы должны оценить свою способность выполнять поставленные задачи безопасно. Если у вас есть сомнения, доверьте эту работу профессиональному специалисту по резке дерева.

ОБЩИЕ УКАЗАНИЯ ПО ТЕХНИКЕ БЕЗОПАСНОСТИ ПРИ РАБОТЕ С ЭЛЕКТРОИНСТРУМЕНТОМ

⚠ ОСТОРОЖНО

Прочтите все предупреждения и инструкции по технике безопасности. Несоблюдение приводимых ниже предупреждений и инструкций может привести к поражению электрическим током, возгоранию или тяжким телесным повреждениям.

Сохраните все предупреждения и инструкции по технике безопасности для последующего использования.

Термин "электроинструмент" в данном описании относится к инструментам с питанием от сети (проводные) и от аккумуляторных батарей (беспроводные).

БЕЗОПАСНОСТЬ НА РАБОЧЕМ МЕСТЕ

- Рабочая зона должна быть свободна и хорошо освещена. Загромождение или плохое освещение рабочей зоны может привести к несчастным случаям.
- Не используйте электроинструмент во взрывоопасной среде, например в присутствии легковоспламеняющихся жидкостей, газов или пыли. В электроинструментах происходит искрообразование, что может привести к воспламенению пыли или газа.
- Не допускайте присутствия детей и посторонних лиц при работе с инструментом. Невнимательность может привести к утрате контроля.

ЭЛЕКТРОБЕЗОПАСНОСТЬ

- Вилка кабеля питания инструмента должна соответствовать используемой розетке. Не подвергайте вилку кабеля каким-либо изменениям. Не используйте какие-либо переходники с электроинструментами с заземляющим проводом. Использование оригинальных штепсельных вилок и соответствующих розеток предотвращает опасность поражения электрическим током.
- Не допускайте контакта частей тела с поверхностями заземленных предметов, таких как трубы, радиаторы отопления, кухонные плиты, холодильники. При соприкосновении частей тела человека с заземленными участками возрастает опасность поражения электрическим током.
- Не допускайте попадания влаги на изделие и не используйте его во влажной атмосфере. Попавшая внутрь инструмента вода повышает опасность поражения электрическим током.
- Обращайтесь с кабелем питания надлежащим образом. Не используйте кабель для переноски, перемещения или отключения инструмента от сети питания. Оберегайте кабель от источников тепла, масляных и острых предметов и движущихся деталей. Поврежденные или запутанные провода повышают опасность поражения электрическим током.
- При работе с электроинструментом вне помещений пользуйтесь удлинительным кабелем, предназначенным для наружного применения. Использование кабеля, предназначенного для наружного применения, снижает опасность поражения электрическим током.

- Если нет возможности избежать работы в условиях повышенной влажности, подключайте инструмент через устройство защитного отключения. При использовании устройства защитного отключения снижается опасность поражения электрическим током.

ЛИЧНАЯ БЕЗОПАСНОСТЬ

- Соблюдайте осторожность, следите за своими действиями и пользуйтесь здравым смыслом при работе с электроинструментом. Не пользуйтесь инструментом в состоянии усталости или под воздействием наркотических средств, алкоголя или медицинских препаратов. Малейшая невнимательность при работе с инструментом может привести к тяжкому телесному повреждению.
- Используйте средства индивидуальной защиты. Всегда надевайте средства защиты зрения. Такие средства защиты, как противопылевая маска, нескользящая обувь, жесткий головной убор и средства защиты органов слуха, при использовании в соответствующих условиях позволят снизить риск получения травмы.
- Не допускайте случайного запуска. Перед подключением к источнику питания или установкой аккумуляторной батареи, подъемом или перемещением инструмента убедитесь, что переключатель находится в положении «выключено». Во избежание несчастных случаев при перемещении инструмента не держите пальцы на переключателе инструмента и не подключайте его к источнику питания при включенном положении переключателя.
- Перед включением инструмента уберите все регулировочные и гаечные ключи. Гаечные или регулировочные ключи, оставленные на вращающихся частях инструмента, могут привести к телесному повреждению.
- Не перенапрягайте. Старайтесь сохранять устойчивость и подыскивайте твердую опору. Это обеспечивает лучшую управляемость электроинструментом в непредвиденных ситуациях.
- Одевайтесь соответствующим образом. Не надевайте свободную одежду и украшения. Не допускайте попадания волос, одежды и перчаток в движущиеся части. Свободная одежда, украшения и длинные волосы могут попасть в движущиеся части.
- Если в инструменте предусмотрено использование устройства удаления и сбора пыли, обеспечьте их надежное крепление и надлежащее использование. Использование пылесборника снижает опасность, связанную с пылеобразованием.

ИСПОЛЬЗОВАНИЕ И ОБРАЩЕНИЕ С ИНСТРУМЕНТОМ

- Не прикладывайте чрезмерных усилий при работе с данным инструментом. В каждом случае используйте надлежащий

электроинструмент. Правильно выбранный электроинструмент позволяет выполнить работу, для которой он предназначен, более качественно и более безопасно.

- Не пользуйтесь инструментом, если выключатель не включается или не выключается. Любой электроинструмент, не управляемый выключателем, представляет опасность и должен быть отремонтирован.
- Перед выполнением каких-либо регулировок, заменой приспособлений или хранением инструмента отключите вилку кабеля источника питания и/или аккумуляторной батареи от электроинструмента. Такие меры предосторожности помогут предотвратить опасность случайного пуска инструмента.
- Храните неиспользуемые электроинструменты в месте, недоступном для детей, а также не допускайте к использованию данного инструмента лиц, не знакомых с его работой или не ознакомленных с данными данными инструкциями. Инструмент в руках неподготовленного лица представляет опасность.
- Бережно обращайтесь с инструментом. Проверьте инструмент на отсутствие перекосов или заклинивания движущихся частей, их неисправности или других причин, которые могут отразиться на работе инструмента. При повреждении инструмента перед его дальнейшим использованием его следует отремонтировать. Многие несчастные случаи вызваны ненадлежащим обращением с инструментом.
- Содержите режущее устройство в чистоте и заточенном виде. При надлежащем техническом обслуживании режущего инструмента снижается вероятность застревания режущих частей и облегчается управляемость.
- Используйте инструмент, принадлежности, насадки и т.п. в соответствии с данными указаниями, и принимая во внимание условия работы и выполняемую работу. Использование данного электроинструмента не по назначению может создать опасную ситуацию.
- Держите ручки и поверхности захватывания сухими, чистыми, не допускайте попадания на них смазочных веществ. Скользкие ручки и поверхности захватывания не позволяют безопасно управлять и контролировать инструмент в непредвиденных ситуациях.

ОБСЛУЖИВАНИЕ

- Техническое обслуживание и ремонт инструмента должно выполняться только квалифицированным специалистом с использованием взаимозаменяемых запасных частей. Это обеспечит нормальное техническое состояние устройства.

ДОПОЛНИТЕЛЬНЫЕ ОБЩИЕ УКАЗАНИЯ ПО БЕЗОПАСНОСТИ

- В некоторых регионах существуют правила, ограничивающие использование этого продукта. Проконсультируйтесь с местными органами власти.
- Не допускайте к работе с данным устройством детей и лиц, незнакомых с инструкциями по использованию изделия. Местные инструкции могут ограничить возраст оператора.
- Убедитесь перед каждым использованием, что все элементы управления и предохранительные устройства функционируют правильно. Не используйте электроинструмент, если невозможно остановить двигатель выключателем.
- При работе с инструментом используйте средства полной защиты органов слуха и зрения, прочные перчатки, а также средства защиты головы. Использовать маску лица, если действие пыльно.
- Не допускается ношение слишком свободной одежды, коротких брюк, ювелирных изделий.
- Соберите длинные волосы выше плеч, чтобы предотвратить их попадание в движущиеся части.
- Остерегайтесь отлетающих или падающих предметов. Убедитесь, что в радиусе 15 м от рабочей зоны нет посторонних, детей и животных.
- Не работайте при недостаточном освещении. Оператор должен четко видеть рабочую зону в целях выявления потенциальных опасностей.
- Использование средств защиты органов слуха снижает способность услышать предупреждения (крики или сигналы). Работающий уделять повышенное внимание к происходящему в зоне работы.
- Эксплуатация аналогичных устройств вблизи рабочей зоны повышает риск повреждения слуха и опасность появления посторонних лиц в вашей рабочей зоне.
- Держать устойчивую опору и баланс. Перенапряжение может вызвать потерю равновесия и увеличить опасность возникновения отскока.
- Не допускайте попадания частей тела в движущиеся детали.
- Проверяйте устройство перед каждым использованием. Проверьте правильную работу всех элементов управления, включая тормоз пильной цепи. Проверьте надежность креплений, убедитесь, что все защитные приспособления и ручки правильно и надежно закреплены. Перед использованием замените поврежденные детали.
- Запрещается каким-либо образом изменять конструкцию устройства или использования детали и принадлежности, не рекомендованные производителем.
- Всплеск напряжения может повлиять на работу других электроприборов в той же электросети. Подключите устройство к источнику питания с полным сопротивлением, равным 0.33 Ω Ом, для минимизации колебаний напряжения. Свяжитесь с вашим поставщиком электроэнергии для получения

дополнительных сведений.

▲ ОСТОРОЖНО

Если устройство уронили, оно издает громкий стук или начинает чрезмерно вибрировать, немедленно остановите его и проверьте на наличие повреждений или выясните причину вибрации. Любые поврежденные детали должны быть надлежащим образом отремонтированы или заменены в авторизованном сервисном центре.

- Электропитание на устройство должно подаваться через устройство защитного отключения (RCD) с силой тока размыкания не более 30 мА.
- Если необходимо использовать удлинительный шнур, убедитесь, что он подходит для использования вне помещений, и допустимый ток достаточен для питания изделия. Проверяйте это перед каждым использованием на предмет повреждений. Всегда разматывайте его во время эксплуатации устройства, потому что спиральные шнуры могут перегреваться. Поврежденные удлинители не подлежат ремонту, их следует заменять аналогичным устройством.
- Если кабель питания поврежден, его необходимо заменить до начала работы с инструментом.
- Убедитесь, что шнур питания расположен так, что невозможно его порезать, наступить на него, споткнуться об него или повредить каким-либо иным способом.
- Запрещается тянуть за кабель питания для поднятия или перемещения изделия.
- Запрещается тянуть за кабель питания, чтобы отключить его от сети.
- Не раскладываете кабель питания вблизи источников тепла, емкостей с маслом и острых предметов.
- Перед каждым использованием проверьте шнур питания на наличие повреждений. Если имеются признаки повреждения шнура питания, то во избежание опасности он должен быть заменен квалифицированным специалистом в авторизованном сервисном центре.

ПРЕДОСТЕРЕЖЕНИЯ ОТНОСИТЕЛЬНО БЕЗОПАСНОГО ПОЛЬЗОВАНИЯ ЦЕПНОЙ ПИЛЫ

- **В процессе работы с изделием не касайтесь пильной цепи и не прислоняйте ее к себе. Перед запуском цепной пилы удостоверьтесь, что пильная цепь ни к чему не прикасается.** Минутная невнимательность при работе с цепной пилой может привести к тому, что пильная цепь зацепит вашу одежду или тело.
- **Всегда держите пилу правой рукой за заднюю рукоятку, а левой рукой – за переднюю рукоятку.** Работа цепной пилой с обратным положением рук повышает опасность телесных повреждений и ни в коем случае не допускается.
- **Удерживайте инструмент только за**



| |
|-----------|
| EN |
| FR |
| DE |
| ES |
| IT |
| NL |
| PT |
| DA |
| SV |
| FI |
| NO |
| RU |
| PL |
| CS |
| HU |
| RO |
| LV |
| LT |
| ET |
| HR |
| SL |
| SK |
| BG |
| UK |
| TR |

изолированную захватную поверхность, поскольку внутри пильной цепи могут находиться скрытые провода или его шнур. Касание провода, находящегося под напряжением, режущей цепью может вызвать протекание электрического тока через металлические части электроинструмента и привести к поражению оператора электрическим током.

- **Надевайте защитные очки и средства защиты слуха. Рекомендуется дополнительное защитное снаряжение для головы, рук, ног и ступней.** Соответствующая защитная одежда уменьшит опасность телесных повреждений отлетающими отходами пиления или при случайном контакте с пильной цепью.
- **Не используйте цепную пилу, если вы находитесь на дереве.** Эксплуатация цепной пилы при нахождении на дереве может привести к телесному повреждению.
- **Всегда имейте надлежащую опору и эксплуатируйте цепную пилу только при нахождении на неподвижной, безопасной и ровной поверхности.** Скользкие или неустойчивые поверхности, например, стремянки, могут привести к потере равновесия или потере управления цепной пилой.
- **При пилении согнутой напряженной ветви остерегайтесь ее распрямления.** Когда натяжение в древесных волокнах высвобождается, то напряженная ветвь может ударить оператора и/или нарушить управляемость цепной пилы.
- **Будьте крайне осторожны при пилении кустарника и молодых деревьев.** Тонкий лесоматериал может быть захвачен пильной цепью, хлестнуть вас или вывести из равновесия.
- **Переносите цепную пилу за переднюю ручку, в выключенном состоянии, не прижимая к телу.** При транспортировке или хранении цепной пилы всегда надевайте на пильную шину защитное приспособление. Надлежащее обращение с цепной пилой снижает опасность случайного контакта с движущейся пильной цепью.
- **Следуйте инструкциям по смазке, натяжению цепи и замене принадлежностей.** Неправильно натянутая или смазанная цепь может порваться или увеличить опасность отскока.
- **Содержите ручки в сухом и чистом виде, очищайте их от масла и смазки.** Если на ручки попало смазка и масло, они становятся скользкими, вызывая потерю контроля.
- **Цепная пила предназначена только для пиления древесины. Используйте цепную пилу только по прямому назначению.** Например, не используйте цепную пилу для пиления пластика, каменной кладки или недревесных строительных материалов. Во избежание опасности соблюдайте указанное для цепной пилы предназначение.

Причины отскоков и меры защиты оператора от них

Если носок шины натолкнется на препятствие или пильная цепь зажмется в дереве во время работы,

бензопила может отскочить.

Контакт с вершиной в некоторых случаях может вызвать внезапную отдачу, которая отбрасывает пильную шину вверх и назад в направлении оператора.

Заклинивание цепной пилы в верхней части направляющей может привести к отскоку в направлении оператора.

И в первом и во втором случае можно потерять контроль за бензопилой и получить тяжелые травмы. Не надейтесь только на средства безопасности самой бензопилы. Во избежание несчастных случаев и травм, необходимо принимать различные меры предосторожности.

Отскок является результатом неправильного использования инструмента и/или нарушений правил или условий его эксплуатации. Этого следует избегать, соблюдая указанные ниже меры предосторожности.

- **Поддерживайте надежный захват так, чтобы большие пальцы (с одной стороны) и остальные пальцы (с другой стороны) крепко охватывали рукоятки цепной пилы, держите пилу обеими руками, располагайте тело и руки таким образом, чтобы противостоять усилию отскока.** Оператор может справиться с усилием отскока, если предприняты надлежащие меры предосторожности. Не выпускайте пилу из рук.
- **Не перенапрягайтесь и не пилите выше уровня плеч.** Это поможет избежать непреднамеренного касания пилы и позволит лучше управлять цепной пилой в непредвиденных ситуациях.
- **Используйте запасные шины и цепи, только указанные производителем.** Ненадлежащие запасные шины и цепи могут привести к обрыву цепи и/или отскоку.
- **При обслуживании и заточке пильной цепи соблюдайте инструкции изготовителя.** Уменьшение высоты ограничителя подачи может привести к увеличению отдачи.

ДОПОЛНИТЕЛЬНЫЕ ПРЕДУПРЕЖДЕНИЯ О ТЕХНИКЕ БЕЗОПАСНОСТИ ЦЕПНОЙ ПИЛЫ

- При работе с инструментом в первый раз рекомендуется пилить бревна на козлах или на опорах.
- Убедитесь в том, что все устройства защиты, ручки и зубчатый упор должным образом установлены и находятся в хорошем состоянии.
- Лица, эксплуатирующие данное изделие, должны находиться в хорошем физическом состоянии. Изделие тяжелое, поэтому оператор должен быть физически крепким. Оператор должен быть осторожным, иметь хорошее зрение, обладать подвижностью, чувством равновесия и ловкостью рук. При наличии каких-либо сомнений не эксплуатируйте изделие.
- Не начинайте использование инструмента, пока не расчищена рабочая зона, не обеспечена опора и не подготовлен путь отхода от падающего дерева.
- Остерегайтесь выбросов паров смазки и опилок. При необходимости надевайте маску или респиратор.



- В случае повреждения кабеля питания обратитесь в авторизованный сервисный центр.
- Всегда держите сетевой шнур аккуратно сложенным и вдвигайте от зоны резки. Помимо опасности поражения электрическим током неаккуратно сложенный шнур может привести к падению и спотыканию.
- Не допускается пиление вьющихся растений и/или молодого подлеска (диаметром менее 75 мм).
- В процессе работы удерживайте цепную пилу обеими руками. Крепко держите бензопилу, обхватив рукоятку пальцами. Правой рукой нужно держать заднюю рукоятку, а левой рукой – переднюю рукоятку.
- Перед запуском изделия убедитесь в том, что пильная цепь ни с чем не соприкасается.
- Запрещается каким-либо образом модифицировать изделие и устанавливать на него насадки или устройства, не рекомендованные производителем пилы.
- Рядом с оператором должна находиться аптечка первой помощи, содержащая крупные перевязочные материалы и сигнальные средства (например, свисток). В пределах досягаемости должен находиться большой, более полный комплект.
- В процессе работы с изделием используйте шлем. Шлем, оснащенный сетчатым щитком, снизит риск травмы лица и головы при отдаче.
- Неправильно натянутая цепь может выскочить из пильной шины и нанести тяжкие телесные повреждения, вплоть до смертельного исхода. Длина цепи зависит от температуры. Регулярно проверяйте натяжение.
- Необходимо привыкнуть к новой цепной пиле, делая простые пропилы на надежно подпертом дереве. Делайте это каждый раз, когда пила некоторое время не эксплуатировалась.
- Чтобы снизить риск получения травмы в результате контакта с подвижными деталями, выключите двигатель, активируйте цепной тормоз и отсоедините вилку от розетки питания. Убедитесь в полной остановке всех движущихся деталей:
 - перед тем, как оставить инструмент без присмотра
 - перед очисткой или устранением забивания
 - перед установкой и снятием насадок
 - перед проверкой, техобслуживанием и эксплуатацией устройства
- Размеры рабочей зоны зависят от вида работ и размеров дерева. Например, валка дерева требует большей рабочей зоны, чем другие виды пиления – раскряжевка и т.д. Оператор должен знать и контролировать все, что происходит в этой рабочей зоне.
- Не располагайте ваше тело на одной линии с пильной шиной и цепью. Если действительно произойдет отскок, то это поможет предотвратить соприкосновение цепи с головой или телом.
- Не перемещайте пилу вперед-назад, дайте

цепи свободно работать. Поддерживайте цепь начерченной. Не пытайтесь протолкнуть цепь через пропил.

- Не нажимайте на бензопилу в конце распиловки. Будьте готовы принять вес пилы, когда пиление в древесине закончится. невыполнение данного требования может привести к получению серьезной травмы.
- Не останавливайте пилу в процессе пиления. Не выключайте пилу, пока она не выйдет из пропила.

Индивидуальные средства защиты

Высококачественные индивидуальные средства защиты, используемые профессионалами, снижают опасность получения оператором телесных повреждений. При эксплуатации цепной пилы должны использоваться следующие средства:

Каска

- должна соответствовать EN 397 и иметь маркировку CE

Устройства защиты слуха

- должна соответствовать EN 352-1 и иметь маркировку CE

Средства защиты органов зрения и слуха

- должны иметь маркировку CE и соответствовать EN 166 (для безосколочных стекол) или 1731 EN (для сетчатых козырьков)

Перчатки

- должна соответствовать EN381-7 и иметь маркировку CE

Защита ног (защитные гетры)

- должны соответствовать EN381-5, иметь маркировку CE и обеспечивать полную защиту.

Защитная обувь

- должна соответствовать EN ISO 20345:2004 и быть маркирована знаком, изображающим цепную пилу, что указывает на соответствие EN 381-3. (Непостоянные пользователи могут использовать защитную обувь со стальным носком и защитными гетрами, которые соответствуют EN 381-9, если поверхность грунта ровная и опасность потери сцепления или захвата подраста невелика)

Куртка для работы с цепной пилой, для защиты верхней части тела

- должна соответствовать EN 381-11 и иметь маркировку CE

ИНСТРУКЦИИ ПО ПРАВИЛЬНЫМ СПОСОБАМ ОСНОВНОЙ ВАЛКИ, ОБРЕЗАНИЯ СУЧЬЕВ И ПОПЕРЕЧНОГО ПИЛЕНИЯ

Описание сил, действующих в древесине

Когда вы представляете себе направление давлений и напряжений в древесине, можно устранить возникновение зацементирований или, по крайней мере, ожидать их в процессе пиления. Натяжение в древесине приводит к тому, что слои растягиваются и, если пилить эту область, то пропил будет стремиться расходиться по мере прохождения пилы. Если бревно лежит на



козлах для пилки дров, а конец свисает без опоры, то напряжение создается на верхней поверхности из-за веса свисающего конца бревна, растягивающего слои древесины. Аналогично, нижняя сторона бревна будет под давлением, и слои древесины сжимаются. Если пропил будет делаться в этой области, то он будет стремиться замкнуться во время пиления. Это приводит к защемлению зубьев пилы.

Валка деревьев

См. Стр. 273 - 274.

Если работы по раскряжке и валке выполняются несколькими лицами одновременно, работы по валке должны быть удалены от работ по раскряжке на расстояние не менее чем две высоты валимого дерева. Валка деревьев не должна производиться способом, представляющим опасность для любого лица, а также вызывающим повреждение линий электропередачи или наносящим материальный ущерб. Если произойдет контакт дерева с какой-либо линией электропередачи, следует немедленно известить об этом соответствующую энергетическую компанию.

При валке на косогоре стойте всегда выше дерева, т.к. после падения оно может покатиться вниз.

Путь отхода должен быть продуман и, при необходимости, расчищен до начала пиления. Путь отхода должен идти назад и вбок относительно ожидаемого направления падения.

Перед началом валки определите естественный наклон дерева, расположение крупных ветвей и направление ветра, чтобы оценить предположительный путь падения дерева.

Удалите с дерева грязь, камни, отставшую кору, гвозди, скобы и провода.

Не пытайтесь спилить гнилые или поврежденные ветром, огнем, молнией и т.п. деревья. Такая работа чрезвычайно опасна и должна выполняться специалистом по обрезке деревьев.

■ Валочный пропил

См. Стр. 273 - 274.

Сделайте вырез 1/3 диаметра дерева перпендикулярно направлению падения. Сначала сделайте нижний горизонтальный обратный пропил. Это поможет предотвратить защемление пильной цепи или шины при выполнении второго пропила.

■ Валочный пропил

См. Стр. 273 - 274.

Сделайте валочный пропил выше горизонтального обратного пропила минимум на 50 мм. Поддерживайте валочный пропил параллельным горизонтальному обратному пропилу. Сделайте валочный пропил таким образом, чтобы осталось достаточно древесины для перемычки. Перемычка на дереве предотвращает вращение дерева и обеспечивает падение в нужном направлении. Не перепиливайте перемычку.

Как только валочный пропил дойдет до перемычки, дерево должно начать падать. Если существует возможность того, что дерево не упадет в нужном направлении или отклонится назад и зажмет

пильную цепь, прекратите пиление до завершения валочного пропила и используйте деревянные, пластиковые или алюминиевые клинья, чтобы разжать пропил и наклонить дерево в нужную сторону падения.

Когда дерево начнет падать, выньте цепную пилу из пропила, остановите двигатель, отложите цепную пилу, а затем воспользуйтесь подготовленным путем отхода. Остерегайтесь падения ветвей сверху и следите за своей опорой.

Обрезание несущих корней

См. стр. 274.

Несущие корни - это крупные корни, отходящие от ствола к земле. Обрезайте эти корни перед валкой дерева. Сделайте сначала горизонтальный разрез (А) в корне, затем вертикальный (В). Удалите вырезанную часть (С) из рабочей зоны. Удалив несущие корни, приступайте к валке дерева.

Возвратно-поступательная тяга

Рабочая тяга всегда противоположна направлению движения пильной цепи. Таким образом, оператор должен быть готов контролировать тенденцию изделия к началу движения (поступательное движение) при резке нижней кромкой шины. Всегда как следует закрепляйте упор цепной пилы во избежание такого движения. Изделие может сдвинуться назад (по направлению к оператору) при резке верхней кромкой. Чтобы это предотвратить, не допускайте застревания цепи при резке верхней кромкой.

Пилу заклинило в пропиле

Остановите цепную пилу и обеспечьте ее безопасное состояние. Не пытайтесь с излишним усилием вынуть цепь и шину из пропила, так как при этом цепь может порваться, отлететь назад и ударить оператора. Такая ситуация обычно возникает из-за того, что дерево неправильно поддерживается и сдвигает пропил, заставляя его закрыться, таким образом защемляя зубья пилы. Если регулировкой подпоры не удается освободить шину и цепь, используйте для расширения пропила и освобождения пилы деревянные клинья или рычаг. Никогда не запускайте цепную пилу, если пильная шина находится в пропиле.

Соскальзывание / Подпрыгивание

В том случае, если не удастся вонзить цепную пилу при выполнении разреза, направляющая может начать подпрыгивать или опасным образом скользить по поверхности бревна или ветки и, возможно, привести при этом к потере контроля над цепной пилой. Для того чтобы предотвратить или уменьшить риск соскальзывания или подпрыгивания, всегда удерживайте пилу двумя руками. Для выполнения разреза необходимо проделать пилой желобок.

Никогда не обрезайте цепной пилой небольшие гибкие ветки или кустарник. Их размер и гибкость могут легко привести к отскоку пилы по направлению к оператору или они могут согнуться и с большой силой разогнуться обратно. Для подобной работы лучше всего подойдет ручная пила, садовые ножницы, топор и другой ручной



инструмент.

Раскряжевка бревен

См. стр. 275.

Раскряжевка – это распиловка бревна по длине. Необходимо обеспечить устойчивую опору и равномерное распределение веса на обе ноги. По возможности, бревно нужно поднять и подпереть с помощью ветвей, бревен или деревянных чурок. Соблюдайте простые правила для облегчения пиления. Если бревно подперто по всей длине, оно пилится сверху (надпил).

Если бревно подперто с одного конца, пропилите 1/3 диаметра снизу (подпил). Затем завершите пиление, сделав надпил до встречи с первым пропилом.

Если бревно поддерживается с обоих концов, пропилите 1/3 диаметра сверху (надпил). Затем завершите пиление, сделав подпил на 2/3 снизу до встречи с первым пропилом.

Если раскряжевка выполняется на склоне, следует всегда находиться на верхней по склону стороне бревна. При сквозном пропиливании, чтобы сохранить полный контроль до конца, ослабьте давление на пилу при приближении к концу пропила, не ослабляя хват рукояток цепной пилы. Не допускайте контакта цепи с землей. После завершения пиления подождите, пока цепь пилы остановится, прежде чем перемещать цепную пилу. Всегда останавливайте двигатель, прежде чем перейти от дерева к дереву.

Сучкование дерева

См. стр. 276.

Сучкование – это удаление сучьев с поваленного дерева. При сучковании, не обрезайте первыми крупные нижние ветви, чтобы они поддерживали дерево над землей. Срезайте небольшие ветки за один проход. Напряженные ветви следует пилить снизу вверх, во избежание заклинивания цепной пилы.

Пружинящие деревья

См. стр. 276.

Хлыст (А) - это ветка, выкорчеванный корень или куст, натянутый под давлением другим деревом. Хлыст может резко выпрямиться, если отрезать держащее его дерево.

Пень поваленного дерева часто возвращается в вертикальное положение, когда ствол отрезают от него до конца. Будьте осторожны! Хлысты опасны. Не пытайтесь срезать изогнутые ветки или пни, которые находятся под напряжением, если вы не имеете профессиональной подготовки и навыков.

⚠ ОСТОРОЖНО

Хлысты могут ударить рабочего и вывести бензопилу из-под его контроля. Что ведет тяжелым и даже смертельным травмам. Это должно выполняться квалифицированными пользователями.

ТРАНСПОРТИРОВКА И ХРАНЕНИЕ

См. Стр. 281 - 284.

- Выключите изделие и отсоедините от источника питания. Перед размещением изделия на хранение или перевозкой в транспортном средстве дождитесь его остывания.
- Очистите устройство от всех посторонних материалов. Храните его в прохладном, сухом, хорошо проветриваемом и недоступном для детей месте. Не держите бензопилу рядом с коррозионными веществами, такими как садовые химикаты или размораживающая соль. Не храните на открытом воздухе.
- Перед хранением или транспортировкой пилы наденьте на пильную шину крышку.
- Для транспортировки закрепите изделие так, чтобы оно не могло перемещаться или упасть во избежание травмирования персонала или повреждения изделия.

ОБСЛУЖИВАНИЕ

Всегда держите изделие в хорошем рабочем состоянии.

⚠ ОСТОРОЖНО

Используйте только оригинальные запчасти, аксессуары и насадки от производителя. Невыполнение этого требования может привести к травме, к снижению производительности и к аннулированию гарантии.

⚠ ОСТОРОЖНО

Обслуживание требует чрезвычайной заботы и знания и должно быть выполнено только квалифицированным техником обслуживания. Обратитесь в авторизованный сервисный центр. При выполнении технического обслуживания используйте только оригинальные запчасти от производителя.

⚠ ОСТОРОЖНО

Перед чисткой, регулировкой и проведением технического обслуживания отключайте инструмент от источника электропитания. Несоблюдение этого правила может привести к серьезным травмам.

- Вы можете выполнять работы по регулировке и обслуживанию, которые описаны в данном руководстве. Ремонтные работы должны осуществляться только в авторизованном сервисном центре.
- Последствия неправильного обслуживания, снятия или модификации предохранительных устройств, таких как цепной тормоз, рукооградитель (передний и задний), зубчатый упор, ограничитель цепи, направляющая, пильная цепь с низкой отдачей, могут привести к неправильному функционированию этих устройств, тем самым увеличив риск получения

серьезной травмы. Обеспечьте своевременное профессиональное обслуживание и безопасность изделия.

- Безопасная отточка цепи - задача, требующая навыка. В случае износа или растяжения цепи производитель настоятельно рекомендует выполнять ее замену на новую в ближайшем авторизованном сервисном центре. Номер детали доступен в таблице спецификаций изделия в руководстве.
- Соблюдайте инструкции по смазке, проверке натяжения цепи и регулировке.
- После каждого использования протирайте изделие мягкой сухой тканью.
- Проверить все болты, задвижки, и винты, через короткие интервалы, на надлежащую плотность, чтобы убедиться, что оборудование находится в безопасном, рабочем состоянии. В случае повреждения какой-либо детали необходимо обратиться в авторизованный сервисный центр для выполнения надлежащего ремонта или замены.

БУДЬТЕ ВСЕГДА ОСТОРОЖНЫ

Даже когда изделие используют согласно инструкциям, невозможно полностью устранить факторы риска. Следующие опасные факторы могут возникнуть в ходе использования, и оператор должен обращать особое внимание, чтобы избежать следующих опасностей:

- Травмы, вызываемые вибрацией
 - Применяйте инструмент только по своему назначению. Пользуйтесь специальными рукоятками. Ограничьте время работы.
- Воздействие шума может привести к повреждению слуха.
 - Носите устройства защиты слуха и ограничивайте продолжительность шумового воздействия
- Соприкосновение с открытыми зубьями цепи (угроза травмы).
- Внезапное резкое движение или отскок пильной шины (опасность порезов).
- Части, выброшенные из пильной цепи (опасность порезов и проникающих травм).
- Отбрасываемые части обрабатываемой древесины (древесная стружка, щепа и т.п.).
- Вдыхание пыли и мелких частичек.
- Попадание масла на кожу.

СНИЖЕНИЕ РИСКА

Считается, что вибрация ручного инструмента может привести к проявлению у отдельных лиц так называемой болезни Рейно (Raynaud's Syndrome). К симптомам могут относиться покалывание, онемение и побеление пальцев (как при переохлаждении). Считают, что наследственные факторы, охлаждение и влажность, диета, курение и практический опыт способствуют развитию этих симптомов. Ниже приводятся меры, которые может принять оператор

для снижения воздействия вибрации:

- Одевайтесь теплее в холодную погоду. При работе с устройством пользуйтесь перчатками, чтобы руки и запястья были в тепле. Считается, что холодная погода является основным фактором, способствующим возникновению болезни Рейно (Raynaud's Syndrome).
- После каждого этапа работы выполните упражнения для усиления кровообращения.
- Чаще делайте перерывы в работе. Сократите длительность ежедневного пребывания на открытом воздухе.
- Защитные перчатки, продаваемые поставщиками профессиональных цепных пил, предназначены для использования с цепной пилой, они обеспечивают защиту, хороший захват, а также уменьшают воздействие вибрации рукоятки.

При появлении каких-либо из указанных симптомов сразу же прекратите работу и обратитесь по их поводу к врачу.

⚠ ОСТОРОЖНО

Слишком продолжительное использование инструмента может привести к травме. При использовании инструмента в течение длительного времени делайте регулярные перерывы.

ИЗУЧИТЕ УСТРОЙСТВО

См. стр. 267.

1. Пильная цепь
2. Шина
3. Передний защитный щиток тормоз пильной цепи
4. Передняя ручка
5. Кнопка разблокировки курка
6. Задняя ручка
7. Шип Бампера
8. Крышка масляного бака
9. Фиксатор шнура
10. Курковый переключатель
11. Крышка звездочки
12. Натяжение цепи / Ручка фиксации пильной шины
13. Защитное приспособление пильной шины
14. Уловитель цепи

УСТРОЙСТВА БЕЗОПАСНОСТИ

Противоотскоковая пильная цепь

Пильная цепь с низкой отдачей снижает опасность отскока.

Ограничители глубины перед каждым зубом пильной цепи могут сократить силу отскока, не давая зубьям слишком глубоко врезаться в дерево. Используйте запасные пильные шины и цепи, только рекомендуемые производителем.

Будьте вдвойне бдительны после заточки цепи: она легче отскакивает. Для вашей безопасности производите замену цепей пилы при остановке процесса резания.

Шип Бампера

Составной шип бампера может использоваться как центр при создании среза. Это поможет надежно удерживать корпус цепной пилы при пилении. При выполнении пиления нажимайте на инструмент от себя, пока упорные зубья не войдут в край древесины, а затем двигайте задней рукояткой вверх-вниз на линии пропила – это поможет уменьшить физическую нагрузку при пилении.

Шина

Как правило, у пильных шин с небольшим радиусом режущих концов вероятность отбрасывания несколько ниже. Необходимо использовать пильную шину и подходящую цепь, которая имеет длину, достаточную для работы. Увеличенная длина шины повышает опасность потери управляемости во время пиления. Регулярно проверяйте натяжение цепи. При пилении небольших ветвей (корочке полной длины пильной шины) цепь может соскочить, если ее натяжение установлено неправильно.

Тормоз цепи

Этот тормоз предназначен для быстрой остановки пильной цепи. При перемещении вперед тормоз пильной цепи/защитный щиток должен немедленно останавливать цепь. Тормоз пильной цепи не предупреждает отскоков. Это только снижает опасность телесного повреждения в случае соприкосновения пильной шины с телом оператора при возникновении отскока. Тормоз пильной цепи должен проверяться перед каждым использованием на предмет правильной работы в обоих положениях – рабочем положении и положении торможения.

Уловитель цепи

Ограничитель цепи предотвращает отбрасывание пильной цепи в сторону оператора при ее ослаблении и разрыве.

СБОРКА

⚠ ОСТОРОЖНО

Если любые части повреждены, или отсутствуют не использовать это изделие, пока части не заменены. Пренебрежение данным предупреждением может привести к тяжкому телесному повреждению.

СБОРКА ПИЛЬНОЙ ЦЕПИ И ПИЛЬНОЙ ШИНЫ

См. Стр. 268 - 269.

1. Выньте сетевую вилку из розетки. Надевайте защитные перчатки.
2. Отверните ручку фиксации пильной шины и снимите крышку цепного колеса.
3. Пильная цепь должна быть обращена в направлении вращения цепи. Если они смотрят в другую сторону, переверните пильную цепь.
4. Поместите звенья привода цепи в паз шины.
5. Наденьте всю цепь на шину.

6. Держите цепь в положении на шине и зацепите петлей вокруг ведущего зубчатого барабана. Опустите шину, так чтобы болт вошел в отверстие модуля натяжения цепи.
7. Замените крышку цепной шестерни, далее затяните рукоятку фиксатора натяжителя цепи/пильной шины по часовой стрелке до упора. Периодически проверяйте натяжение цепи.
Натяжение цепи правильное, если зазор между зубом цепи и шиной составляет 3-4 мм. Вытяните цепь вниз в середине нижней стороны шины (от шины) и измерьте расстояние между шиной и зубьями цепи.
8. Затяните и заблокируйте рукоятку фиксатора натяжителя цепи/пильной шины, вращая ее по часовой стрелке.

РЕГУЛИРОВКА НАТЯЖЕНИЯ ЦЕПИ

См. стр. 279.

1. Отключите его от сети. Надевайте защитные перчатки.
2. Чтобы отрегулировать натяжение цепи, полностью открутите рукоятку фиксатора натяжителя цепи/пильной шины, после чего затяните рукоятку фиксатора натяжителя цепи/пильной шины по часовой стрелке до упора. Периодически проверяйте натяжение цепи.
Натяжение цепи правильное, если зазор между зубом цепи и шиной составляет 3-4 мм. Вытяните цепь вниз в середине нижней стороны шины (от шины) и измерьте расстояние между шиной и зубьями цепи.
3. Затяните и заблокируйте рукоятку фиксатора натяжителя цепи/пильной шины, вращая ее по часовой стрелке.

ПРИМЕЧАНИЕ: Шина и блок натяжения цепи должны быть чистыми и двигаться свободно, пильная цепь должна быть правильно обернута вокруг звездочки. Если натяжение цепи слишком сильное или слишком слабое, после фиксации регулятора натяжения цепи/направляющей шины проверьте чистоту и правильную установку направляющей шины и блока натяжения цепи.

При необходимости снимите крышку звездочки и направляющую шину, очистите их и установите на место.

ЭКСПЛУАТАЦИЯ

СМАЗКА ЦЕПИ СМАЗОЧНЫМ МАСЛОМ

См. стр. 269.

⚠ ОСТОРОЖНО

Никогда не работайте без смазки цепи. При использовании цепи пилы без смазки пильная шина и цепь пилы могут получить повреждения. Необходимо периодически проверять уровень масла посредством масляного щупа, в том числе перед запуском цепной пилы.

1. Протрите поверхность около масляного колпачка во избежание загрязнения.
2. Открутите и снимите крышку с масляного бака.
3. Залейте масло в масляный бак и проверьте указатель уровня масла. При заливке масла не допускайте попадания грязи в масляный бак.
4. Поставьте масляный колпачок на место и заверните его. Вытрите все подтеки.
5. Один полный масляный бак позволяет эксплуатировать пилу в течение 12 - 18 минут.

УДЕРЖАНИЕ ЦЕПНОЙ ПИЛЫ

См. стр. 269.

Всегда держите пилу правой рукой за заднюю рукоятку, а левой рукой – за переднюю рукоятку. Обхватите обе рукоятки, используя большой и остальные пальцы рук. Большой палец левой руки, удерживающей переднюю рукоятку, должен располагаться снизу.

⚠ ОСТОРОЖНО

Всегда держите сетевой шнур аккуратно сложенным и вдали от зоны резки. Помимо опасности поражения электрическим током неаккуратно сложенный шнур может привести к падению и спотыканию.

ЗАПУСК ЦЕПНОЙ ПИЛЫ

См. стр. 269.

1. Подсоедините изделие к розетке питания. Потянув назад рычаг с защитным экраном, убедитесь, что цепной тормоз находится в рабочем положении.
2. Порядок запуска изделия: Нажмите на кнопку освобождения спускового крючка, затем нажмите на спусковой крючок

ПРОВЕРКА И ИСПОЛЬЗОВАНИЕ ТОРМОЗА ЦЕПИ

1. Включите тормоз пильной цепи, вращая левую руку вокруг передней рукоятки. При быстром вращении цепи тыльной стороной кисти толкните рычаг тормоза пильной цепи/устройство защиты рук к шине. Цепь должна сразу прекратить вращение. Постоянно держите пилу обеими руками за обе рукоятки.
2. Верните тормоз пильной цепи в рабочее положение, взявшись за верх рычага тормоза пильной цепи/устройства защиты рук и потянув его к передней рукоятке до щелчка.

⚠ ОСТОРОЖНО

Если цепной тормоз останавливает цепь не сразу или не удерживается в рабочем положении, перед дальнейшей эксплуатацией обратитесь в авторизованный сервисный центр для проведения ремонта.

ЗАМЕНА ПИЛЬНОЙ ШИНЫ И ПИЛЬНОЙ ЦЕПИ

См. Стр. 277 - 278.

1. Отключите его от сети. Надевайте защитные перчатки.
2. Разблокируйте рукоять фиксатора натяжителя цепи/

пильной шины, вращая ее против часовой стрелки до снятия крышки цепной шестерни.

3. Снимите крышку цепного колеса. Снимите шину и цепь с устройства.
4. Удалите винт, прижимающий пильную шину к натяжителю цепи. Утилизируйте отработанные шину и цепь в надлежащем порядке.
5. Установите блок натяжителя цепи на новую шину и закрутите винт. Поместите новую цепь на шину в правильном направлении и удостоверьтесь в том, что приводные звенья расположены в канавке шины.
6. Прикрепите шину к цепной пиле и наденьте цепь на ведущую звездочку.
7. Затяните и заблокируйте рукоять фиксатора натяжителя цепи/пильной шины, вращая ее по часовой стрелке.

Натяжение цепи правильное, если зазор между зубом цепи и шиной составляет 3-4 мм. Вытяните цепь вниз в середине нижней стороны шины (от шины) и измерьте расстояние между шиной и зубьями цепи.

Регулировка натяжения цепи. См. раздел «Регулировка натяжения цепи».

⚠ ОСТОРОЖНО

При плохой затопке цепи вырастает опасность отскока.

⚠ ОСТОРОЖНО

Во избежание тяжелых травм заменяйте или ремонтируйте поврежденную пильную цепь.

⚠ ОСТОРОЖНО

Цепь очень острая. При обслуживании цепи всегда пользуйтесь защитными перчатками.

ОСМОТР И ОЧИСТКА ТОРМОЗА ПИЛЬНОЙ ЦЕПИ

См. стр. 280.

- Всегда содержите в чистоте механизм тормоза пильной цепи, бережно очищая соединения от грязи щеткой.
- После очистки всегда проверяйте работу тормоза пильной цепи. Дополнительную информацию можно найти в разделе "Эксплуатация. Проверка и использование цепного тормоза" настоящего руководства.

СПИСОК ОБСЛУЖИВАНИЯ

| Ежедневная проверка | |
|---------------------|-----------------------------|
| Силовой кабель | Перед каждым использованием |
| Смазка Шины | Перед каждым использованием |

| | |
|------------------------|--|
| Натяжение цепи | Перед каждым использованием и регулярно |
| Острота Цепи | Перед каждым использованием, визуальная проверка |
| На поврежденные части | Перед каждым использованием |
| На свободные застёжки | Перед каждым использованием |
| Цепной тормоз | Перед каждым использованием |
| Осмотр и Чистка | |
| Шина | Перед каждым использованием |
| Целостность пилы | после каждого использования |
| Тормоз цепи | Каждые 5 часов* |

*Часы Действия

УСЛОВНЫЕ ОБОЗНАЧЕНИЯ НА ПРОДУКТЕ



Внимание



Во избежание телесных повреждений пользователь должен внимательно ознакомиться и запомнить указания данного руководства до использования инструмента.



Носите устройства защиты зрения и слуха, а также защитную каску.



При работе с данным изделием надевайте нескользящую защитную обувь.



Надевайте нескользящие перчатки для работы в тяжелых условиях.



При повреждении или порезе кабеля питания или перед техническим обслуживанием отключите кабель питания от сетевой розетки.



Не забывайте о возможности отскока пильной цепи и не прикасайтесь к концу пильной шины.



Не подвергайте инструмент воздействию дождя и не используйте в условиях повышенной влажности.



Работайте бензопилой, держа ее обеими руками.



Не работайте бензопилой, держа ее одной рукой.



Настоящий инструмент отвечает всем официальным стандартам страны ЕС, в которой он был приобретен.



Знак Евразийского Соответствия Сертификат Соответствия № TC RU C-DE.AE11.B.04153 Срок действия Сертификата Соответствия По 11.08.2020 Некоммерческая организация Учреждение сертификации и экспертизы «Сертэкс» 109044 РФ, город Москва, 3-й Крутицкий переулок, дом 11



Инструмент класса II, двойная изоляция



001

Украинский знак стандартизации



Отработанная электротехническая продукция должна уничтожаться вместе с бытовыми отходами. Утилизируйте, если имеется специальное техническое оборудование. По вопросам утилизации проконсультируйтесь с местным органом власти или предприятием розничной торговли.



L_{WA} 104dB

Гарантированный уровень звуковой мощности 104 дБ (RCS1935B)



L_{WA} 105dB

Гарантированный уровень звуковой мощности 105 дБ (RCS2340B)



Смазка пильной шины и цепи



Тормоз цепи



Вращайте для блокировки и разблокировки пильной шины



Сцепить



Расцепить



Направление перемещения цепи. (Отмечено под цепной шестерней)

УСЛОВНЫЕ ОБОЗНАЧЕНИЯ В ДАННОМ РУКОВОДСТВЕ



Подключение к сетевой розетке



Отсоединение от сетевой розетки



Детали или принадлежности, приобретаемые отдельно



Примечание



Осторожно



Надевайте средства защиты глаз и лица.



Надевайте защитную одежду для верхней части тела.



Надевайте защитную обувь.



Остановите устройство.

Следующие сигнальные слова и значения предназначены, чтобы объяснить уровни риска, связанного с этим изделием.

ОПАСНО

Указывает неизбежно опасную ситуацию, которая, если не избежать, кончится смертельным или серьезным ущербом.

ОСТОРОЖНО

Указывает потенциально опасную ситуацию, которая, если не избежать, может кончиться смертельным или серьезным ущербом.

ПРЕДОСТЕРЕЖЕНИЕ

Указывает потенциально опасную ситуацию, которая, если не избежать, может кончиться малым или уменьшенным ущербом.

ПРЕДОСТЕРЕЖЕНИЕ

Употребляется без предупреждающего знака

Указывает на ситуацию, которая может привести к повреждению имущества.

EN

FR

DE

ES

IT

NL

PT

DA

SV

FI

NO

RU

PL

CS

HU

RO

LV

LT

ET

HR

SL

SK

BG

UK

TR

Транспортировка:

Категорически не допускается падение и любые механические воздействия на упаковку при транспортировке.

При разгрузке/погрузке не допускается использование любого вида техники, работающей по принципу зажима упаковки.

Хранение:

Необходимо хранить в сухом месте.

Необходимо хранить вдали от источников повышенных температур и воздействия солнечных лучей.

При хранении необходимо избегать резкого перепада температур.

Хранение без упаковки не допускается.

Срок службы изделия:

Срок службы изделия составляет 5 лет.

Не рекомендуется к эксплуатации по истечении 5 лет хранения с даты изготовления без предварительной проверки.

Дата изготовления (код даты) отштампован на поверхности корпуса изделия.

Пример:

W17 Y2015, где Y2015 - год изготовления

W17 – неделя изготовления

Определить месяц изготовления можно согласно приведенной ниже таблице, на примере 2015 года.

Обратите внимание! Количество недель в месяце различается от года в год.

| Месяц | Январь | Февраль | Март | Апрель | Май | Июнь | Июль | Август | Сентябрь | Октябрь | Ноябрь | Декабрь | Год |
|--------|--------|---------|------|--------|-----|------|------|--------|----------|---------|--------|---------|------|
| Неделя | 01 | 05 | 09 | 14 | 18 | 22 | 27 | 31 | 36 | 40 | 44 | 49 | 2015 |
| | 02 | 06 | 10 | 15 | 19 | 23 | 28 | 32 | 37 | 41 | 45 | 50 | |
| | 03 | 07 | 11 | 16 | 20 | 24 | 29 | 33 | 38 | 42 | 46 | 51 | |
| | 04 | 08 | 12 | 17 | 21 | 25 | 30 | 34 | 39 | 43 | 47 | 52 | |
| | 05 | 09 | 13 | 18 | 22 | 26 | 31 | 35 | 40 | 44 | 48 | 53 | |
| | | | 14 | | | 27 | | | | | | | |

Bezpieczeństwo, efektywność i niezawodność były czynnikami o najwyższym priorytecie w trakcie projektowania Państwa piły łańcuchowej.

PRZEZNACZENIE URZĄDZENIA

Piła łańcuchowa przeznaczona jest do stosowania wyłącznie poza pomieszczeniami. Ze względów bezpieczeństwa produkt musi być odpowiednio kontrolowany – należy przez cały czas trzymać go obiema rękoma.

Produkt jest przeznaczony do cięcia gałęzi, pni, kłód i belek o średnicy odpowiadającej długości prowadnicy. Może być używany wyłącznie do cięcia drewna. Wyłącznie do użytku domowego przez osoby dorosłe odpowiednio przeszkolone z zagrożeń i środków/działań zapobiegawczych, które należy stosować podczas eksploatacji produktu.

Produkt nie może być używany przez dzieci ani osoby, które nie zastosowały odpowiednich środków ochrony osobistej ani nie mają na sobie odpowiedniej odzieży roboczej. Produkt nie jest przeznaczony do profesjonalnej wycinki drzew.

Nie używać do żadnych innych celów.

⚠️ OSTRZEŻENIE

Podczas używania tego urządzenia należy przestrzegać odpowiednich zasad bezpieczeństwa. Ze względu na bezpieczeństwo użytkownika oraz osób postronnych, użytkownik musi w pełni zrozumieć te instrukcje przed rozpoczęciem używania produktu. Należy wziąć udział w profesjonalnie zorganizowanym kursie poświęconym eksploatacji i konserwacji pilarek łańcuchowych, działaniom zapobiegawczym oraz pierwszej pomocy. Niniejszą instrukcję należy przechowywać w bezpiecznym miejscu, aby można jej było użyć także w późniejszym czasie.

⚠️ OSTRZEŻENIE

Pilarki łańcuchowe są urządzeniami potencjalnie niebezpiecznymi. Wypadki związane z eksploatacją pilarek łańcuchowych często skutkują utratą kończyn lub śmiercią. Nie tylko pilarka łańcuchowa jest niebezpieczna. Przyczyną śmierci mogą być także spadające gałęzie, przewracające się drzewa oraz staczające się kłody. Zaatakowane przez choroby lub zmuszane drewno także stwarza dodatkowe zagrożenia. Zawsze należy oszacować możliwość bezpiecznego wykonania pracy. W przypadku jakichkolwiek wątpliwości należy zlecić wykonanie pracy profesjonalnemu arborystyce.

OGÓLNE ZASADY BEZPIECZEŃSTWA DOTYCZĄCE URZĄDZEŃ ELEKTRYCZNYCH

⚠️ OSTRZEŻENIE

Zapoznaj się ze wszystkimi zasadami bezpieczeństwa i instrukcjami. Niezastosowanie się do ostrzeżeń i instrukcji może spowodować porażenie prądem, pożar oraz/lub poważne obrażenia ciała.

Zachowajcie te ostrzeżenia i zalecenia, aby móc się do nich odnieść w późniejszym czasie.

Termin "elektronarzędzia" stosowany w przedstawionych tu zasadach bezpieczeństwa odnosi się zarówno do urządzeń zasilanych z sieci energetycznej (przewodowych) jak i urządzeń zasilanych z akumulatora (beprzewodowych).

OTOCZENIE ROBOCZE

- **Miejsce pracy musi być utrzymywane w czystości i dobrze oświetlone.** Obszary zaśmiecone lub niewystarczająco oświetlone mogą być przyczyną wypadku.
- **Nie wolno uruchamiać urządzeń elektrycznych w miejscach, gdzie grozi to wybuchem, na przykład w pobliżu łatwopalnych cieczy, gazów lub pyłów.** Urządzenia elektryczne mogą wytwarzać iskry, które mogą być przyczyną zapłonu pyłów lub oparów.
- **Podczas używania narzędzi elektrycznych należy utrzymywać osoby postronne i dzieci z dala od miejsca pracy.** Odwrócenie uwagi operatora może spowodować utratę kontroli nad urządzeniem.

ZASADY BEZPIECZEŃSTWA DOTYCZĄCE OBSŁUGI URZĄDZEŃ ELEKTRYCZNYCH

- **Wtyczki zasilania elektronarzędzi muszą pasować do gniazd sieciowych. Nie wolno modyfikować wtyczek w żaden sposób. Nie wolno używać żadnych przejściówek do podłączania urządzeń posiadających przewód zasilania z uziemieniem.** Stosowanie oryginalnych wtyczek i dopasowanych gniazd sieciowych zmniejsza ryzyko porażenia prądem.
- **Unikać kontaktu ciała z powierzchniami uziemionymi lub podłączonymi do bieżąca zerowego, np. rury, instalacje grzewcze i chłodnicze.** Kontakt ciała z masą lub uziemieniem zwiększa ryzyko porażenia prądem.
- **Nie narażać tego produktu na działanie deszczu lub wody.** Przedostanie się wody do wnętrza elektronarzędzia zwiększa ryzyko porażenia prądem.
- **Nie uszkodzić przewodu zasilania. Nie wolno używać przewodu zasilania do przenoszenia, ciągnięcia urządzenia lub jego odłączania z gniazda sieciowego. Przewody elektryczne trzymać z dala od źródeł ciepła, oleju, ostrych krawędzi lub ruchomych elementów.** Uszkodzony lub zaplątany przewód elektryczny zwiększa ryzyko porażenia prądem.
- **W przypadku używania urządzenia na zewnątrz, ewentualne przedłużacze muszą być do tego przystosowane.** Zastosowanie przedłużacza przystosowanego do warunków zewnętrznych zmniejsza ryzyko porażenia prądem.
- **Jeśli nie można uniknąć użytkowania urządzenia elektrycznego w warunkach wilgotnych, należy je zasilac z obwodu zabezpieczonego wyłącznikiem różnicowo-prądowym (RCD).** Zastosowanie takiego wyłącznika pozwala zmniejszyć ryzyko porażenia prądem elektrycznym.

EN
FR
DE
ES
IT
NL
PT
DA
SV
FI
NO
RU
PL
CS
HU
RO
LV
LT
ET
HR
SK
BG
UK
TR

BEZPIECZEŃSTWO OSOBISTE

- **Zachowywać skupienie, uważnie obserwować wykonywane czynności, stosować zasady zdrowego rozsądku podczas obsługi urządzenia. Nie używać urządzeń elektrycznych w stanie zmęczenia lub będąc pod wpływem leków, alkoholu lub środków odurzających.** Moment nieuwagi podczas obsługi elektronarzędzia może być przyczyną poważnego zranienia.
- **Stosować środki ochrony osobistej. Zawsze nosić okulary ochronne.** Sprzęt ochronny, taki jak maski przeciwpyłowe, ochronne obuwie antypoślizgowe, kask czy ochronniki słuchu, stosowany w odpowiednich warunkach pozwala zapobiegać obrażeniom.
- **Unikać możliwości przypadkowego uruchomienia urządzenia. Przed podłączeniem do zasilania/założeniem akumulatora lub w celu jego podniesienia lub przeniesienia należy upewnić się, że wyłącznik zasilania znajduje się w położeniu wyłączonym.** Przenoszenie elektronarzędzia z palcem na wyłączniku lub podłączenie zasilania do urządzenia, w którym wyłącznik znajduje się w położeniu włączonym grozi wypadkiem.
- **Usunąć wszelkie narzędzia i klucze przed włączeniem zasilania.** Uruchomienie elektronarzędzia z kluczem założonym na ruchomym elemencie grozi poważnym wypadkiem.
- **Nie sięgać zbyt daleko. Należy cały czas pewnie opierać stopy i utrzymywać równowagę.** Zapewni to lepsze panowanie nad urządzeniem w nieprzewidywanych sytuacjach.
- **Należy zakładać odpowiednią odzież ochronną. Nie zakładać luźnego ubioru ani biżuterii.** Trzymać włosy, ubranie i okulary z dala od ruchomych elementów. Mogą być one wciągnięte przez ruchome części urządzenia.
- **Jeśli używane urządzenie posiada przyłączy do wyciągu i gromadzenia kurzu, należy go używać w odpowiedni sposób.** Stosowanie metod usuwania pyłu zmniejsza zagrożenie związane z jego gromadzeniem.

UŻYTKOWANIE I KONSERWACJA URZĄDZEŃ ELEKTRYCZNYCH

- **Nie przeciążać urządzenia. Używać odpowiedniego narzędzia do odpowiedniego rodzaju prac.** Najlepsze efekty pracy, przy zachowaniu pełnego bezpieczeństwa, zapewni używanie urządzeń w zakresie parametrów znamionowych i stosownie do ich przeznaczenia.
- **Nie używać tego urządzenia, jeśli wyłącznik nie pracuje poprawnie.** Używanie elektronarzędzia bez sprawnego wyłącznika jest zbyt niebezpieczne - należy oddać je do naprawy.
- **Przed przystąpieniem do regulacji, wymiany akcesoriów lub przed odłożeniem elektronarzędzia w miejsce przechowywania należy wyjąć wtyczkę z gniazda sieciowego lub wyciąć akumulator.** Tego rodzaju środki zapobiegawcze pozwolą zmniejszyć ryzyko przypadkowego uruchomienia elektronarzędzia.
- **Nieużywane urządzenia należy przechowywać poza**

zasięgiem dzieci. Nie wolno zezwalać osobom nie obeznanym z obsługą urządzeń elektrycznych na ich używanie. Urządzenia elektryczne mogą być niebezpieczne w rękach osób nieposiadających odpowiedniego przygotowania.

- **Urządzenia elektryczne wymagają konserwacji. Należy sprawdzać wyrównanie elementów ruchomych, sprawdzać, czy nie ma jakichkolwiek uszkodzeń, uwzględniać wszelkie aspekty mające wpływ na bezpieczną pracę urządzenia. W przypadku stwierdzenia uszkodzeń, oddać urządzenie do naprawy.** Wiele wypadków spowodowane jest używaniem urządzeń w niewłaściwym stanie technicznym.
- **Elementy tnące muszą być ostre i czyste.** Odpowiednio ostre krawędzie tnące ułatwią prowadzenie urządzenia i są bardziej odporne na uszkodzenie.
- **Wszelkie urządzenia, przystawki, akcesoria itp. należy używać zgodnie z dołączonymi instrukcjami obsługi, z uwzględnieniem warunków i charakteru wykonywanej pracy.** Używanie narzędzi w sposób niezgodny z ich przeznaczeniem grozi poważnym niebezpieczeństwem.
- **Uchwyty i powierzchnie do trzymania muszą zawsze być suche, czyste i wolne od smaru oraz oleju.** Śliskie uchwyty i powierzchnie do trzymania nie umożliwiają bezpiecznej obsługi i kontrolowania narzędzia w nieoczekiwanych sytuacjach.

KONSERWACJA

- **Urządzenie elektryczne powinno być naprawiane przez wykwalifikowany personel, z zastosowaniem identycznych części zamiennych.** Dzięki temu zapewnione będzie bezpieczeństwo użytkownika urządzenia.

DODATKOWE OGÓLNE OSTRZEŻENIA DOTYCZĄCE BEZPIECZEŃSTWA

- "W niektórych regionach obowiązują przepisy ograniczające możliwość eksploatacji produktu. Należy skontaktować się z lokalnymi urzędami i zasięgnąć informacji.
- Nie wolno pozwalać używać produktu dzieciom ani osobom niezaznajomionym z instrukcją eksploatacji produktu. Lokalne przepisy mogą ograniczać dopuszczalny wiek operatora."
- Przed każdym użyciem produktu należy upewnić się, że wszystkie elementy obsługowe i funkcje bezpieczeństwa działają prawidłowo. Nie należy używać elektronarzędzia, jeśli wyłącznik („off”) nie umożliwi wyłączenia silnika.
- W trakcie użytkowania produktu nosić pełną ochronę wzroku i słuchu, solidne rękawice, a także ochronę głowy. Jeśli praca wiąże się z emisją pyłu należy dodatkowo nosić maskę przeciwpyłową.
- Nie wolno nosić luźnej, nieprzylegającej do ciała odzieży, krótkich spodni ani żadnej biżuterii.
- Długie włosy należy zabezpieczyć w taki sposób, aby znajdowały się na wysokości powyżej ramion i nie dostały się pomiędzy ruchome części maszyny.



- Należy zwrócić uwagę na odrzucane, latające lub spadające obiekty. Wszystkie osoby postronne, dzieci oraz zwierzęta powinny znajdować się w odległości co najmniej 15 m od miejsca pracy.
- Nie wolno pracować przy niedostatecznym oświetleniu. Operator musi dobrze widzieć miejsce pracy, aby móc zidentyfikować potencjalne zagrożenia.
- Stosowanie środków ochrony słuchu zmniejsza słyszalność ostrzeżeń (alarmów, okrzyków). Należy zwracać większą uwagę na to, co dzieje się w miejscu pracy.
- Praca podobnych narzędzi w pobliżu zwiększa ryzyko urazu słuchu oraz wtargnięcia innej osoby na miejsce pracy.
- Stać stabilnie, zachowując równowagę. Nie sięgać zbyt daleko. Nadmierne wychylenie się może spowodować utratę równowagi i zwiększa ryzyko odskoku.
- Należy starać się trzymać wszystkie części ciała z dala od ruchomych elementów urządzenia.
- Części te mocno nagrzewają się w czasie eksploatacji. Należy sprawdzić, czy wszystkie przyrządy urządzenia, w tym hamulec łańcucha, działają prawidłowo. Należy sprawdzić, czy mocowania nie są poluzowane, upewnić się, czy wszystkie osłony oraz uchwyty są prawidłowo i solidnie zamocowane. Przed przystąpieniem do pracy należy wymienić wszystkie uszkodzone części.
- Nie wolno w żaden sposób modyfikować produktu ani stosować w nim części oraz akcesoriów, które nie są zalecane przez producenta.
- Skok mocy powoduje wahania napięcia, które mogą oddziaływać na pracę innych urządzeń elektrycznych podłączonych do tego samego obwodu elektrycznego. Podłączyć produkt do źródła zasilania o impedancji wynoszącej maks. 0,33 Ω, aby ograniczyć wahania napięcia. Dodatkowe informacje można uzyskać u dostawcy energii elektrycznej.

⚠ OSTRZEŻENIE

W przypadku upuszczenia produktu, narażenia go na silne uderzenie lub w przypadku zaobserwowania nadmiernych drgań, należy natychmiast wyłączyć urządzenie i sprawdzić, czy nie wykazuje ono uszkodzeń oraz ustalić przyczynę drgań. Wszelkie uszkodzone części muszą być odpowiednio naprawione lub wymienione w autoryzowanym punkcie serwisowym.

- Urządzenie powinno być zasilane przez wyłącznik różnicowo-prądowy (RCD), o prądzie zadziałania nie większym niż 30 mA.
- Jeśli konieczne jest użycie przedłużacza, należy upewnić się, że nadaje się on do stosowania na zewnątrz pomieszczeń oraz że ma parametry (moc podłączonych urządzeń) umożliwiające podłączenie danego produktu. Sprawdzić przed każdym użyciem, czy nie ma uszkodzeń. Zawsze należy zwinąć go podczas użytkowania, ponieważ zwinięte kable mogą ulec przegrzaniu. Nie wolno naprawiać uszkodzonych przedłużaczy. Należy wymienić je na produkt o takich samych parametrach.
- Jeżeli kabel zasilający ulegnie uszkodzeniu, musi

zostać wymieniony przed rozpoczęciem użytkowania.

- Należy upewnić się, że przewód zasilający jest umieszczony w taki sposób, że nie można go uszkodzić poprzez przecięcie, nie zostanie nadeprzyty, zaczepiony lub uszkodzony lub narażony w inny sposób.
- Nie podnosić ani nie przenosić produktu za przewód elektryczny.
- Nie ciągnąć za przewód zasilania w celu wyjęcia wtyczki z gniazda.
- Przewód zasilania trzymać z dala od źródeł ciepła, oleju i ostrych krawędzi.
- Przed każdym użyciem należy sprawdzić, czy przewód zasilający nie jest uszkodzony. W przypadku stwierdzenia oznak uszkodzenia należy oddać urządzenie do naprawy wykwalifikowanemu specjalistom do autoryzowanego punktu serwisowego, aby uniknąć zagrożenia.

OSTRZEŻENIA DOTYCZĄCE BEZPIECZEŃSTWA PRACY PILARKĄ ŁAŃCUCHOWĄ

- **W trakcie pracy z produktem trzymać wszystkie części ciała z dala od łańcucha piły. Przed uruchomieniem pilarki łańcuchowej należy upewnić się, że pilarka łańcuchowa nie styła się z żadnym przedmiotem.** Chwila nieuwagi podczas obsługi pilarki łańcuchowej może spowodować wplątanie odzieży lub kontakt łańcucha tnącego z częścią ciała.
- **Pilarkę łańcuchową zawsze należy trzymać w taki sposób, aby prawa ręka spoczywała na tylnym uchwycie a lewa ręka na przednim uchwycie.** Trzymanie pilarki łańcuchowej z odwrotnym ustawieniem rąk zwiększa ryzyko obrażeń ciała i nigdy nie wolno trzymać pilarki w ten sposób.
- **To elektronarzędzie należy trzymać wyłącznie za izolowaną powierzchnię chwytną, ponieważ w przeciwnym przypadku łańcuch piły może zetknąć się z ukrytymi przewodami lub własnym przewodem zasilającym.** Zetknięcie pilarki z przewodem pod napięciem spowoduje, że wszystkie metalowe części elektronarzędzia będą również pod napięciem, co w rezultacie spowoduje porażenie operatora prądem elektrycznym.
- **Należy nosić okulary ochronne i środki ochrony słuchu. Zalecamy stosowanie innych środków ochrony głowy, rąk, nóg oraz stóp.** Odpowiednia odzież robocza ograniczy ryzyko obrażeń ciała na skutek odrzucanych obiektów lub przypadkowego kontaktu z łańcuchem pilarki.
- **Nie używać pilarki łańcuchowej na drzewie.** Obsługa pilarki łańcuchowej na drzewie może spowodować obrażenia ciała.
- **Zawsze należy zapewnić odpowiednie oparcie dla nóg. Pilarkę łańcuchową można obsługiwać wyłącznie stojąc na stałej, stabilnej i równej powierzchni.** Sliskie lub niestabilne powierzchnie, takie jak drabiny mogą spowodować utratę równowagi lub kontroli nad pilarką łańcuchową.
- **Należy zachować ostrożność w przypadku przecinania naprężonej gałęzi, ponieważ występuje**

EN
FR
DE
ES
IT
NL
PT
DA
SV
FI
NO
RU
PL
CS
HU
RO
LV
LT
ET
HR
SL
SK
BG
UK
TR





ryziko odskoczenia gałęzi. Gdy napięcie włókien drewna zostanie zwolnione, gałąź może odskoczyć i uderzyć operatora oraz/lub spowodować utratę kontroli nad pilarką łańcuchową.

- **Należy zachować szczególną ostrożność podczas cięcia krzaków i młodych drzew.** Włókno materiału może być pochwycony przez łańcuch pilarki, przyciągnięty do operatora lub operator może stracić równowagę.
- **Pilarkę łańcuchową należy trzymać za przedni uchwyt, gdy pilarka jest wyłączona i znajduje się z dala od ciała. W przypadku transportu lub przechowywania pilarki łańcuchowej zawsze należy zakładać osłonę prowadnicy.** Prawidłowa obsługa pilarki łańcuchowej ograniczy prawdopodobieństwo przypadkowego kontaktu z pracującym łańcuchem pilarki.
- **Należy postępować zgodnie z instrukcjami dotyczącymi smarowania, napanienia łańcucha i wymiany akcesoriów.** Nieprawidłowo napięty lub nienasmarowany łańcuch może pęknąć lub zwiększyć ryzyko odbicia piły.
- **Uchwyty należy utrzymywać w czystości. Muszą one być suche i niezanieczyszczone olejem ani smarem.** Uchwyty pokryte smarem i olejem są śliskie i mogą powodować utratę kontroli.
- **Należy ciąć wyłącznie drewno. Pilarkę łańcuchową należy używać wyłącznie zgodnie z jej przeznaczeniem. Na przykład nie należy używać pilarki łańcuchowej do cięcia plastiku, muru ani materiałów budowlanych innych niż drewniane.** Stosowanie pilarki łańcuchowej do prac niezgodnych z jej przeznaczeniem może doprowadzić do niebezpiecznych sytuacji.

Przyczyny i zapobieganie odrzutów:

Do odrzutu może dojść w sytuacji, gdy końcówka prowadnicy wejdzie w kontakt z obiektem lub gdy łańcuch zablokuje się w materiale podczas cięcia.

W niektórych przypadkach kontakt końcówki może spowodować gwałtowny odskok, na skutek czego prowadnica odskakuje do góry i do tyłu w stronę operatora. Zakleszczenie łańcucha pilarki na wysokości górnej krawędzi prowadnicy może spowodować gwałtowny ruch prowadnicy w kierunku operatora.

W każdym przypadku, możecie utracić kontrolę nad piłą łańcuchową i poważnie się zranić. Nie wolno polegać jedynie na elementach systemu bezpieczeństwa pilarki. W celu uniknięcia ryzyka wypadków czy zranienia powinniście podjąć różne środki bezpieczeństwa.

Odrzut jest spowodowany niewłaściwym użyciem i/lub nieprawidłowymi procedurami lub warunkami pracy i należy mu przeciwdziałać, podejmując właściwe środki zapobiegawcze:

- **Należy obiema rękami mocno trzymać urządzenie w taki sposób, aby kciuki i palce obejmowały uchwyty, oraz utrzymywać taką pozycję ciała i ramion, by w jak największym stopniu zniwelować siły działające podczas odrzutu.** Operator może zapanować nad siłami działającymi w czasie odrzutu, jeśli zostaną podjęte odpowiednie środki siły zapobiegawcze. Nie wolno wypuszczać pilarki łańcuchowej z rąk.

- **Nie wolno nadmiernie wychylać się podczas cięcia ani ciąć na wysokości powyżej barków.** Pomoże to uniknąć przypadkowego kontaktu końcówki prowadnicy z obiektami i zapewni lepszą kontrolę nad pilarką łańcuchową w niespodziewanych sytuacjach.
- **Należy stosować wyłącznie prowadnice i łańcuchy zalecane przez producenta.** Stosowanie niezalecanych części zamiennych może doprowadzić do zerwania łańcucha i i/lub spowodować odrzut.
- **Przy ostrzeniu i konserwacji łańcucha należy przestrzegać zaleceń producenta.** Zmniejszenie wysokości ograniczników głębokości może prowadzić do zwiększenia ryzyka odrzutu.

DODATKOWE OSTRZEŻENIA BEZPIECZEŃSTWA DOTYCZĄCE PILARKI ŁAŃCUCHOWEJ

- Zalecamy ciąć kłody na koźle w przypadku pierwszej obsługi produktu.
- Należy dopilnować, aby wszystkie osłony, uchwyty oraz oporowy zderzak zębaty było odpowiednio zamontowane i znajdowały się w dobrym stanie.
- Osoby przystępujące do eksploatacji produktu powinny wykazać się dobrym zdrowiem. Produkt jest ciężki, więc operator musi być sprawny fizycznie. Operator powinien być czujny, mieć dobry wzrok, moc sprawnie się poruszać i utrzymywać równowagę, a także posiadać zręczność manualną. W razie jakichkolwiek wątpliwości nie należy przystępować do eksploatacji produktu.
- Nie należy przystępować do pracy, jeśli miejsce pracy nie zostało uprzątnięte, operator nie może zapewnić sobie bezpiecznej i stabilnej postawy i nie ustalił drogi ewakuacji w przypadku upadającego drzewa.
- Należy uważać na emisję mgiełki środka smarnego oraz pyłu drzewnego. Należy nosić maskę lub respirator, jeśli jest to wymagane.
- W przypadku uszkodzenia przewodu zasilającego serwisowanie należy powierzać wyłącznie autoryzowanemu serwisowi.
- Kabel zasilający zawsze musi być w dobrym stanie i musi znajdować się poza obszarem cięcia. Zaniebane kable zwiększają ryzyko śmiertelnego porażenia prądem elektrycznym, jak również stanowią ryzyko potknięcia lub przewrócenia.
- Nie należy przecinać winorośli oraz/lub niewielkich roślin (o średnicy poniżej 75 mm).
- W trakcie użytkowania piły łańcuchowej zawsze trzymać ją obydwiema dłońmi. Należy mocno trzymać piłę łańcuchową, palce powinny być wokół uchwytów. Prawa ręka musi znajdować się na tylnym uchwycie, a lewa ręka na przednim uchwycie.
- Przed uruchomieniem produktu upewnić się, że łańcuch piły nie styka się z żadnym przedmiotem.
- Nie modyfikować produktu w żaden sposób ani nie używać go do napędzania jakichkolwiek akcesoriów lub urządzeń niezalecanych przez producenta piły.
- W pobliżu miejsca pracy operatora powinna być dostępna apteczka pierwszej pomocy zawierająca duże opatrunki, oraz przyrząd umożliwiający szybkie zaalarmowanie innych (np. gwizdek). Większy i lepiej



wyposażony zestaw pierwszej pomocy powinien znajdować się w niedalekim sąsiedztwie.

- W trakcie użytkowania produktu zawsze nosić kask. Kask z osłoną siatkową może ograniczyć ryzyko urazu twarzy i głowy w przypadku odrzutu.
- Nieprawidłowo napięty łańcuch może spaść z prowadnicy, powodując poważne obrażenia ciała lub śmierć. Długość łańcucha zależy od temperatury. Należy często kontrolować napięcie łańcucha.
- Należy zaznajomić się z obsługą nowej pilarki łańcuchowej, wykonując proste cięcia na odpowiednio zabezpieczonym drewnie. Należy to zrobić w przypadku, gdy operator przez jakiś czas nie używał pilarki.
- Aby zmniejszyć ryzyko obrażeń ciała wynikających z dotknięcia poruszających się części, należy zawsze wyłączać silnik, załączać hamulec łańcucha i wyciągać wtyczkę z gniazda zasilania. Upewnić się, że wszystkie elementy ruchome zostały całkowicie zatrzymane:
 - przed pozostawieniem produktu bez nadzoru
 - przed czyszczeniem lub usuwaniem zablokowanego materiału
 - przed montażem lub demontażem osprzętu
 - przed sprawdzeniem, konserwacją lub obsługą produktu
- Powierzchnia strefy roboczej zależy od rodzaju wykonywanej pracy oraz od rozmiaru drzewa lub wymiarów obrabianego materiału. Przykładowo ścięcie drzewa wymaga znacznie większej strefy roboczej niż wykonanie innych cięć, np. cięcie z użyciem kozła. Operator musi mieć świadomość tego, co dzieje w strefie roboczej i w każdej chwili panować nad sytuacją.
- Nie wolno ciąć, znajdując się w jednej linii z prowadnicą i łańcuchem. W przypadku odskoku pomoże to uniknąć kontaktu głowy lub ciała z łańcuchem.
- Nie należy wykonywać ruchów piłowania do przodu/ do tyłu. Piłowanie musi odbywać się za pomocą ruchu łańcucha. Łańcuch musi być ostry i nie można dociskać łańcucha do przecięcia.
- W końcowym etapie cięcia nie należy wywierać nacisku na pilarkę. Należy przygotować się na utrzymanie ciężaru narzędzia, które wyjdzie z ciętego drewna. W przeciwnym razie istnieje niebezpieczeństwo doznania poważnych obrażeń ciała.
- Nie należy zatrzymywać pilarki w trakcie cięcia. Piła musi pracować aż do wyjęcia z wřbu.

Środki ochrony osobistej

Wysokiej jakości środki ochrony osobistej, jakie stosują profesjonalści, pomagają ograniczyć ryzyko obrażeń ciała u operatora pilarki. Podczas pracy z produktem należy stosować następujące środki ochrony osobistej:

Kask

- powinien być zgodny z normą EN 397 i posiadać oznaczenie CE

Środki ochrony słuchu

- powinny być zgodne z normą EN 352-1 i posiadać oznaczenie CE

Środki ochrony oczu i twarzy

- powinny posiadać oznaczenie CE i być zgodne z normą EN 166 (okulary ochronne) lub EN 1731 (siatkowe osłony twarzy)

Rękawice

- powinny być zgodne z normą EN381-7 i posiadać oznaczenie CE

Środki ochrony nóg (spodnie robocze)

- powinny być zgodne z normą EN381-5, posiadać oznaczenie CE i zapewniać kompleksową ochronę.

Buty robocze odpowiednie do pracy z pilarką łańcuchową

- powinny być zgodne z normą EN ISO 20345:2004 i być oznaczone symbolem przydatności do używania z pilarką łańcuchową, zgodnie z normą EN 381-3. (Użytkownicy sporadycznie używający narzędzia mogą nosić obuwie ze stalowymi okuciami nosków i getrami ochronnymi zgodnymi z normą EN 381-9, jeżeli praca odbywa się na równym podłożu i istnieje niewielkie ryzyko przewrócenia się lub zaplątania w roślinność)

Kurtki zapewniające ochronę górnej części ciała, odpowiednie do obsługi pilarki łańcuchowej

- powinny być zgodne z normą EN 381-11 i posiadać oznaczenie CE

INSTRUKCJE DOTYCZĄCE PRAWIDŁOWEJ TECHNIKI WYCINKI I OKRZESYWANIA DRZEW ORAZ CIĘCIA POPRZECZNEGO DREWNA

Sily oddziałujące w drewnie

Gdy użytkownik zrozumie naciski i naprężenia kierunkowe występujące wewnątrz drewna, będzie mógł ograniczyć częstość zakleszczenia narzędzia lub przynajmniej będzie w stanie przygotować się na nie podczas cięcia. Naprężenie drewna oznacza, że włókna rozciągają się i wycięcie wřbu lub szczeliny w tym miejscu ma tendencję do rozchylania się w miarę zagłębienia piły. Jeśli kłoda opiera się na koźle i końcówka zwisa bez podparcia, wtedy występuje naprężenie górnej powierzchni na skutek ciężaru fragmentu wiszącej kłody, powodując rozciąganie włókien. Z kolei w dolnej części drewna będą działały sily ściskające włókna ze sobą. Podczas wykonywania cięcia w tym miejscu rzadziej będzie wykazywał tendencję do zważania się. Może to doprowadzić do zakleszczenia łańcucha.

Wycinka drzew

Patrz strona 273 - 274

Jeżeli wycinka i cięcie drewna są wykonywane przez dwie lub więcej osób równocześnie, należy rozdzielić operację wycinki drzew od operacji cięcia drewna. Odległość dzieląca pracowników zajmujących się dwiema różnymi czynnościami powinna odpowiadać co najmniej dwukrotnej długości wyciętego drzewa. Wycinki drzew nie wolno prowadzić w sposób zagrażający bezpieczeństwu innych osób lub mogący doprowadzić do uszkodzenia linii energetycznych lub mienia. Jeżeli drzewo będzie miało kontakt z linią energetyczną, należy bezzwłocznie powiadomić odpowiedni jej operatora.

Jeżeli teren jest spadkowy, pozostanie na górze terenu, gdyś cięte drzewo mogłoby się stoczyć czy ześliznąć na dół stoku.

Przed przystąpieniem do wycinki należy zaplanować drogę ewakuacji i usunąć z niej przeszkody, które mogłyby utrudnić ucieczkę. Droga ewakuacyjna powinna bieć w kierunku przeciwnym i ukośnie względem przewidywanej linii obalenia drzewa.

Przed rozpoczęciem ścinki należy uwzględnić naturalne pochylenie drzewa, rozmieszczenie większych konarów oraz kierunek wiatru, aby ustalić kierunek przewrócenia się drzewa.

Usunąć z drzewa zanieczyszczenia, kamienie, poluzowaną korę, gwoździe, zszywki oraz druty.

Nie wolno wycinać spróchniałych drzew ani drzew uszkodzonych przez wiatr, pożar, uderzenie pioruna. Jest to niezwykle niebezpieczne zadanie, które należy powierzyć profesjonalnemu arborystyce.

■ Nacięcie kierunkowe

Patrz strona 273 - 274

Wykonać nacięcie o głębokości 1/3 średnicy drzewa, prostopadle do kierunku, w którym drzewo ma się przewrócić. Najpierw należy wykonać cięcie w poziomie. Pomoże to uniknąć zakleszczenia się łańcucha lub prowadnicy podczas wykonywania cięcia ukośnego.

■ Nacięcie ścinające

Patrz strona 273 - 274

Nacięcie ścinające należy wykonać po przeciwnej stronie drzewa, na wysokości co najmniej 50 mm powyżej nacięcia w poziomie. Nacięcie ścinające należy wykonać równoległe do nacięcia poziomego. Nacięcie ścinające powinno pozostawić pewną część drzewa, która posłuży jako zawias. Zawias utrzymuje drzewo we właściwej pozycji, zapobiegając jego przekręceniu się i obaleniu w innym kierunku. Zawiasu nie wolno przecinać.

Gdy łańcuch piły zacznie zbliżać się do zawiasu, drzewo powinno zacząć się przechylać. Jeśli występuje jakiegokolwiek ryzyko, że drzewo może przewrócić się w niezamierzonym kierunku lub odchylić się do tyłu i zakleszczyć pilarkę łańcuchową, należy przerwać cięcie przed zakończeniem cięcia i użyć klinów z drewna, tworzywa sztucznego lub aluminium, aby otworzyć rżaz i powalić drzewo w odpowiednim kierunku.

Gdy drzewo zacznie się przewracać, należy wyjąć pilarkę łańcuchową z rżazu, wyłączyć silnik, odłożyć pilarkę łańcuchową i wycofać się zaplanowaną drogą ewakuacji. Należy zwrócić uwagę na spadające konary oraz na przeszkody leżące na ziemi.

Usunięcie korzeni bocznych

Patrz strona 274.

Korzeń boczny (skarpowy) to korzeń rosnący od nasady pnia i znajdujący się powyżej gruntu. Przed przystąpieniem do wycinki drzewa należy usunąć duże korzenie boczne. Najpierw należy przepiłować korzeń w poziomie, a następnie w pionie. Usunąć wycięty fragment korzenia ze strefy roboczej. Po usunięciu dużych korzeni bocznych należy przystąpić do wycinki drzewa zgodnie z procedurą opisaną powyżej.

Ruch do przodu i do tyłu

Siła reakcji ma zawsze kierunek przeciwny do kierunku ruchu łańcucha. Dlatego operator musi być przygotowany do kontrolowania tendencji ruchu pilarki i odsunięcia (ruch do przodu) podczas cięcia dolną krawędzią prowadnicy. Aby uniknąć takiego ruchu, należy pamiętać o prawidłowym zamocowaniu zderzaka z kołcami. Produkt można przemieszczać w drugą stronę (ruch w kierunku operatora) podczas cięcia górną krawędzią prowadnicy. Aby tego uniknąć, podczas cięcia górną krawędzią prowadnicy należy upewnić się, że łańcuch nie jest zakleszczony.

Zablokowanie pilarki w materiale

Zatrzymać pilarkę łańcuchową w bezpieczny sposób. Nie próbować na siłę wydobyć łańcucha i prowadnicy z materiału, ponieważ może dojść do pęknięcia łańcucha, który w takiej sytuacji może z dużą siłą uderzyć operatora. Ta sytuacja z reguły ma miejsce przypadku, gdy drewno jest nieprawidłowo podparte i oddziałuje siła zamykania wrąbu, powodując zaklinowanie ostrza. Jeśli poprawienie podparcia nie pozwoli odblokować prowadnicy i łańcucha, należy użyć drewnianych klinów lub zastosować dźwignię w celu zwolnienia pilarki. Nigdy nie wolno usiłować uruchamiać pilarki łańcuchowej, gdy prowadnica znajduje się we wrębie lub szczelinie.

Poślizg / Skakanie

Gdy piła nie zagłębi się w rżazie, prowadnica może odskoczyć lub niebezpiecznie ześlizgnąć się po powierzchni klocka lub gałęzi, co grozi utratą kontroli nad pilarką. Pro przeciwni lub omezení rizika sklouzávání či odskakování držte pilu vždy oběma rukama. Upewníc se, že łańcuch piły utworzył wgłębienie umożliwiające cięcie.

Nie wolno ciąć pilarką łańcuchową małych, giętkich konarów lub gałęzi. Ze względu na swój rozmiar i giętkość, mogą one spowodować odbicie piły w stronę operatora lub jej zakleszczenie i odrzut. Do tego rodzaju prac należy używać pił ręcznych, nożyc lub maczety albo innych narzędzi ręcznych.

Cięcie kłody

Patrz strona 275.

Cięcie kłody to proces rozdrabniania kłody na mniejsze fragmenty. Istotne jest, aby zachować stabilność i równowagę. Jeśli to możliwe, kłoda powinna znajdować się wyżej i być podparta konarami, innymi kłodami lub klockami. Należy postępować zgodnie z poniższymi, prostymi zasadami łatwego cięcia. Jeżeli kłoda jest podparta na całej długości, cięcie należy wykonywać zawsze od góry.

Jeżeli kłoda jest podparta tylko z jednej strony, należy przeciąć ją od dołu na głębokość odpowiadającą 1/3 średnicy. Następnie dokończyć cięcie, tnąc od góry, aż do miejsca, w którym obydwa nacięcia zejdą się ze sobą.

Jeżeli kłoda jest podparta po obu zewnętrznych stronach, należy przeciąć ją od góry na głębokość odpowiadającą 1/3 średnicy. Następnie dokończyć cięcie, tnąc od dołu na głębokość 2/3 średnicy, aż do miejsca, w którym obydwa nacięcia zejdą się ze sobą.

W przypadku cięcia kłody na terenie spadzistym zawsze należy znajdować się powyżej kłody. W przypadku

przecinania, aby zachować pełną kontrolę, należy zmniejszyć nacisk przy cięciu w pobliżu końca rządu, bez luzowania chwytu na uchwytych pilarki łańcuchowej. Łańcuch nie może mieć kontaktu z ziemią. Po wykonaniu cięcia należy odczekać aż pilarka łańcuchowa zatrzyma się. Dopiero wtedy można przenieść pilarkę. Przechodząc od drzewa do drzewa, zawsze należy wyłączać silnik.

Okrzesywanie drzewa

Patrz strona 276.

Okrzesywanie to proces usuwania konarów z wyciętego drzewa. Podczas okrzyszowania należy pozostawić większe dolne konary, które posłużą do podparcia kłody. Drobne konary należy usuwać jednym cięciem. Naprężone gałęzie należy odcinać od dołu, aby nie dopuścić do zakleszczenia pilarki łańcuchowej.

Naprężone gałęzie

Patrz strona 276.

Naprężone drewno może być kłodą, gałęzią, ukorzenionym pniakiem lub młodym drzewkiem, które zostało wycięte przez inny kawałek drewna, przez co może gwałtownie się przemieścić do pozycji pierwotnej, jeśli przytrzymujący je dotąd element zostanie ścięty albo usunięty.

W przypadku świeżo ściętego i odcinania pniaka z korzeniem od reszty kłody może dojść do gwałtownego wyprostowania się pniaka. Uwaga na różgki, są one niebezpieczne. Nigdy nie wolno próbować przecinać naprężonego drewna bez odbycia profesjonalnego szkolenia i wprawy.

⚠ OSTRZEŻENIE

Różgi są niebezpieczne, gdyż mogą was uderzyć co może doprowadzić do utraty kontroli nad piłą łańcuchową. I spowodować ciężkie a nawet śmiertelne obrażenia. Powinni to wykonywać przeszkoleni użytkownicy.

TRANSPORT I PRZECHOWYWANIE

Patrz strona 281 – 284

- Zatrzymać produkt i odłączyć go od zasilania. Przed rozpoczęciem składowania lub przewozu pojazdem poczekać, aż produkt ostygnie.
- Usunąć z produktu wszelkie ciała obce i zanieczyszczenia. Należy przechowywać urządzenie w chłodnym, suchym i dobrze wentylowanym miejscu, które jest niedostępne dla dzieci. Należy trzymać produkt z dala od czynników powodujących korozję, takich jak ogrodnicze środki chemiczne czy sól do odmrążania. Nie przechowywać na zewnątrz.
- Założyć osłonę prowadnicy przed schowaniem urządzenia lub podczas transportu.
- W przypadku transportu produktu należy zabezpieczyć go przed przemieszczaniem się lub upadkiem, aby nie dopuścić do obrażeń ciała lub uszkodzenia urządzenia.

KONSERWACJA

Produkt należy utrzymywać w dobrym stanie technicznym.

⚠ OSTRZEŻENIE

Należy stosować wyłącznie oryginalne części zamienne, akcesoria oraz przystawki producenta. W przeciwnym razie może dojść do obrażeń ciała, niskiej wydajności oraz do unieważnienia gwarancji.

⚠ OSTRZEŻENIE

Serwisowanie wymaga wyjątkowej staranności i wiedzy. Może być wykonywane wyłącznie przez wykwalifikowany personel serwisowy. Serwisowanie należy powierzać wyłącznie autoryzowanemu serwisowi. Do serwisowania należy stosować wyłącznie oryginalne części zamienne producenta.

⚠ OSTRZEŻENIE

Odłączyć produkt od źródła zasilania przed rozpoczęciem czyszczenia, regulacji lub konserwacji produktu. W przeciwnym razie może dojść do poważnych obrażeń ciała.

- Użytkownik może jedynie wykonywać czynności regulacyjne i naprawcze opisane w tej instrukcji obsługi. W przypadku innych napraw produkt należy oddawać wyłącznie do autoryzowanych serwisów.
- Konsekwencje niewłaściwej konserwacji, demontażu lub modyfikacji zabezpieczeń takich jak hamulec łańcucha, osłona dłoni (przednia i tylna), zderzak z kolcami, łapacz łańcucha, prowadnica czy łańcuch piły łańcuchowej o niskim stopniu odbicia mogą powodować nieprawidłowe działanie takich zabezpieczeń, zwiększając tym samym ryzyko poważnych obrażeń. Należy zapewnić profesjonalną konserwację produktu celem zagwarantowania jego bezpieczeństwa.
- Bezpieczne ostrzenie łańcucha jest zadaniem wymagającym wprawy. Dlatego producent zdecydowanie zaleca, aby zużyty lub stępiony łańcuch wymienić na nowy w autoryzowanym serwisie. Numer artykułu jest podany w specyfikacji produktu, będącej częścią niniejszej instrukcji obsługi.
- Przestrzegać instrukcji dotyczących smarowania i kontroli oraz regulacji napięcia łańcucha.
- Po każdym użyciu należy oczyścić produkt za pomocą miękkiej, suchej ściereczki.
- Systematycznie sprawdzać, czy wszystkie nakrętki, wkręty i śruby są dobrze dokręcone, aby upewnić się, że kosiarka jest w bezpiecznym stanie. Każda uszkodzona część musi zostać naprawiona lub wymieniona w autoryzowanym serwisie.

RYZIKO ZWIĄZANE Z UŻYTKOWANIEM:

Nawet jeśli produkt jest używany zgodnie z zaleceniami, nadal nie jest możliwe wyeliminowanie określonych czynników ryzyka. Następujące zagrożenia mogą wystąpić podczas używania urządzenia i operator powinien zwracać szczególną uwagę na poniższe punkty:

- Urazy ciała spowodowane przez wibracje
 - Zawsze należy używać odpowiedniego narzędzia

EN
FR
DE
ES
IT
NL
PT
DA
SV
FI
NO
RU
PL
CS
HU
RO
LV
LT
ET
HR
SL
SK
BG
UK
TR

do danej pracy. Stosować wyznaczone uchwyty. Ograniczać czas pracy i narażenie na kontakt z pracującym urządzeniem.

- Narażenie na hałas może spowodować zaburzenia słuchu.
 - Należy nosić środki ochrony uszu oraz ograniczyć poziom narażenia
- Kontakt z odsłoniętymi zębami łańcucha piły (ryzyko spowodowania ran ciętych).
- Niespodziewane, gwałtowne szarpnięcie lub odrzut prowadnicy (ryzyko spowodowania ran ciętymi).
- Elementy wyrzucane przez łańcuch (ryzyko spowodowania ran ciętych/wbicia elementów w skórę).
- Odpryski obrabianego materiału (zrębki, drzazgi).
- Wychanie pyłu drzewnego i cząstek stałych.
- Zetknięcie się skóry z olejem.

OGRANICZENIE RYZYKA

Badania dowodzą, że wibracje powodowane przez narzędzia ręczne mogą wywoływać u niektórych osób objawy syndromu Raynauda. Typowe objawy to mrowienie, drętwienie i blednięcie palców, widoczne zwykle po wystawieniu na działanie zimna. Uważa się, że do objawów tych przyczyniają się uwarunkowania genetyczne, narażenie na zimno i wilgoć, dieta, palenie i procedury pracy. Istnieją działania, które może podjąć operator maszyny w celu ograniczenia skutków emisji drgań:

- Zadbać w niskich temperaturach o ciepłotę własnego ciała, zakładając odpowiednie ubranie. Podczas obsługi urządzenia należy nosić rękawice, aby dłonie i nadgarstki były ciepłe. Wiadomo, że niskie temperatury są główną przyczyną powstawania objawu Raynauda.
- Podczas przerw w pracy należy wykonywać ćwiczenia poprawiające krążenie krwi..
- Podczas pracy robić częste przerwy. Ograniczyć ekspozycję w ciągu dnia.
- Rękawice ochronne, które są dostępne u wyspecjalizowanych sprzedawców pił łańcuchowych, są przeznaczone specjalnie do obsługi pilarki łańcuchowej i zapewniają ochronę, pewny chwyt oraz ograniczają efekt wibracji uchwytu.

W razie doświadczenia dowolnego z wymienionych objawów, należy niezwłocznie zaprzestać użytkowania tego urządzenia i skontaktować się z lekarzem.

OSTRZEŻENIE

Długotwale użytkowanie narzędzia może spowodować obrażenia ciała lub nasilić dolegliwości zdrowotne. W przypadku używania narzędzia przed dłuższy czas należy pamiętać o regularnych przerwach.

ZAPOZNAJ SIĘ ZE SWOIM PRODUKTEM

Patrz str. 267.

1. Łańcuch
2. Prowadnica
3. Przednia osłona ręki / hamulec łańcucha

4. Przedni uchwyt
5. Przełącznik zwalniania
6. Tylny uchwyt
7. Zderzak z kolcami
8. Korek zbiornika oleju do smarowania łańcucha
9. Uchwyt przewodu
10. Spust włączający
11. Pokrywa koła napędowego
12. Naprężenie łańcucha / Pokrętko blokujące prowadnicę
13. Osłona prowadnicy
14. Wychwytnik łańcucha

ELEMENTY SYSTEMU BEZPIECZEŃSTWA

Łańcuch o zwiększonej odporności na odrzut

Łańcuch o zwiększonej odporności na odrzut pomaga ograniczyć ryzyko wystąpienia odrzutu.

Ograniczniki głębokości znajdujące się z przodu każdego zęba mogą ograniczyć siłę efektu odrzutu unikając zbytniego zagłębiania się zębów w strefę odrzutu (odboju). Należy stosować wyłącznie prowadnice i łańcuchy w kombinacjach zalecanych przez producenta.

Zalecamy zdwojenie uwagi po naostrzeniu łańcucha waszej piły, gdyż ostrzenie czyni łańcuch mniej odpornym na odrzut. Ze względów bezpieczeństwa w przypadku pogorszenia jakości cięcia łańcuch należy wymienić na nowy.

Zderzak z kolcami

Zintegrowany zderzak z kolcami pełni funkcję elementu stabilizującego podczas cięcia. Pomaga to zachować odpowiednią pozycję ciała podczas cięcia. Podczas cięcia należy przesunąć produkt do przodu, aż kolce wbiją się w drewno, a następnie przesunąć tylny uchwyt w górę lub w dół, zgodnie z linią cięcia. Pomaga to zmniejszyć wysiłek fizyczny podczas pracy.

Prowadnica

W zasadzie prowadnice z końcówkami o mniejszym promieniu mają mniejszą tendencję do odskoku. Użytkownik powinien używać prowadnicy oraz odpowiedniego łańcucha o właściwej długości dla danego zadania. Dłuższe prowadnice zwiększają ryzyko utraty kontroli podczas piłowania. Należy systematycznie sprawdzać napięcie łańcucha. Podczas cięcia mniejszych gałęzi (mniejszych niż całkowita długość prowadnicy) nieprawidłowo napięty łańcuch będzie wykazywał większą tendencję do odrzutu.

Hamulec łańcucha

Hamulec łańcucha został zaprojektowany, tak by umożliwił szybkie zatrzymanie poruszającego się łańcucha. Gdy dźwignia hamulca łańcucha/osłona dłoni jest przesunięta w kierunku prowadnicy, łańcuch powinien natychmiast się zatrzymać. Hamulec łańcucha nie zapobiega efektowi odrzutu (odboju). Ogranicza to jedynie ryzyko obrażeń ciała, jeśli prowadnica zetknie się z ciałem operatora w przypadku odskoku. Hamulec łańcucha powinien być sprawdzony przed każdym użyciem. Należy sprawdzić jego działanie w położeniu roboczym oraz hamowania.

Wychwytnik łańcucha

Wychwytnik łańcucha zapobiega wyrzuceniu łańcucha w kierunku operatora w przypadku poluzowania się lub pęknięcia łańcucha.

MONTAŻ

⚠ OSTRZEŻENIE

W przypadku uszkodzenia lub braku którejkolwiek z części urządzenia nie wolno używać produktu do czasu wymiany części. W przeciwnym wypadku może dojść do poważnych obrażeń.

MONTAŻ ŁAŃCUCHA I PROWADNICZY

Patrz strona 268 - 269.

1. Odłączyć wtyczkę zasilania. Założyć rękawice ochronne.
2. Odkręcić pokrętło blokujące prowadnicę i zdjąć pokrywę koła napędowego.
3. Łańcuch powinien być ustawiony w kierunku, w którym będzie się obracał. Jeśli jest ustawiony odwrotnie, należy go odwrócić.
4. Umieścić ogniwa łańcucha w rowku prowadnicy.
5. Założyć łańcuch w taki sposób, by utworzył pętlę z tyłu prowadnicy.
6. Przytrzymać łańcuch w odpowiednim położeniu na prowadnicy i założyć go na ząb koła łańcuchowego. Obniżyć prowadnicę, tak aby śruba przeszła przez otwór w zamocowanym zespole napinacza łańcucha.
7. Wymienić osłonę koła łańcuchowego, a następnie dokręcić pokrętło blokujące prowadnicę / zespołu napinającego łańcucha, przekręcając je zgodnie z ruchem wskazówek zegara, aż zatrzyma się w jednym miejscu. Często sprawdzać naciąg łańcucha. Łańcuch jest prawidłowo napięty, jeśli przestrzeń pomiędzy elementem tnącym łańcucha a prowadnicą wynosi ok. 3 – 4 mm. Należy pociągnąć łańcuch pośrodku dolnej części prowadnicy w dół (odciągając go od prowadnicy) i zmierzyć odległość pomiędzy prowadnicą a elementami tnącymi łańcucha.
8. Dokręcić i zablokować pokrętło blokujące prowadnicę / zespołu napinającego łańcucha, przekręcając je zgodnie z ruchem wskazówek zegara.

REGULACJA NAPIĘCIA ŁAŃCUCHA

Patrz strona 279.

1. Odłączyć produkt od źródła zasilania. Założyć rękawice ochronne.
2. Aby poprawić naciąg łańcucha, należy całkowicie poluzować pokrętło blokujące prowadnicę / zespołu napinającego łańcucha, a następnie dokręcić pokrętło blokujące prowadnicę / zespołu napinającego łańcucha, przekręcając je zgodnie z ruchem wskazówek zegara, aż zatrzyma się w jednym miejscu. Często sprawdzać naciąg łańcucha. Łańcuch jest prawidłowo napięty, jeśli przestrzeń pomiędzy elementem tnącym łańcucha a prowadnicą wynosi ok. 3 – 4 mm. Należy pociągnąć łańcuch pośrodku dolnej części prowadnicy w dół (odciągając go od prowadnicy) i zmierzyć odległość pomiędzy prowadnicą a elementami tnącymi łańcucha.
3. Dokręcić i zablokować pokrętło blokujące prowadnicę / zespołu napinającego łańcucha, przekręcając je zgodnie z ruchem wskazówek zegara.

OBJAŚNIENIE: Upewnić się, że prowadnica i zespół napinający łańcuch poruszają się swobodnie bez

zanieczyszczeń, a łańcuch piły jest prawidłowo zapętlony wokół koła zębatego. Jeśli po zablokowaniu pokrętła blokującego napięcie łańcucha/prowadnicę łańcuch piły jest napięty zbyt mocno lub zbyt słabo, należy sprawdzić, czy prowadnica i zespół napinający łańcuch piły są czyste i prawidłowo zmontowane.

W razie potrzeby zdemontować pokrywę koła zębatego i prowadnicę w celu oczyszczenia, a następnie ponownie zmontować części.

SPOSÓB UŻYCIA

UZUPEŁNIANIE OLEJU DO SMAROWANIA ŁAŃCUCHA

Patrz strona 269.

⚠ OSTRZEŻENIE

Nie wolno używać pilarki bez oleju do smarowania łańcucha. Jeśli łańcuch pilarki będzie pracował bez smarowania, może dojść do uszkodzenia łańcucha pilarki i prowadnicy. Konieczne jest częste sprawdzanie poziomu oleju przy pomocy wskaźnika poziomu, w tym przed rozpoczęciem użytkowania piły łańcuchowej.

1. Oczyszczyć powierzchnię wokół korka zbiornika oleju, aby zapobiec skażeniu oleju.
2. Odkręcić i zdjąć korek zbiornika oleju.
3. Wlać olej do zbiornika, monitorując wskaźnik poziomu. Upewnić się, że podczas uzupełniania oleju do zbiornika nie dostały się żadne zanieczyszczenia.
4. Założyć i przykręcić korek oleju. Rozlany olej należy wytrzeć.
5. Jeden pełny zbiornik oleju umożliwia używanie pilarki przez 12 – 18 minut.

TRZYMANIE PIŁY ŁAŃCUCHOWEJ

Patrz strona 269.

Pilarkę łańcuchową zawsze należy trzymać w taki sposób, aby prawa ręka spoczywała na tylnym uchwycie a lewa ręka na przednim uchwycie. Obydwa uchwyty należy mocno trzymać, tak aby kciuki i palce obejmowały uchwyty. Upewnić się, że lewa dłoń trzyma przedni uchwyt w taki sposób, aby kciuk znajdował się pod uchwytem.

⚠ OSTRZEŻENIE

Kabel zasilający zawsze musi być w dobrym stanie i musi znajdować się poza obszarem cięcia. Zaniedbane kable zwiększają ryzyko śmiertelnego porażenia prądem elektrycznym, jak również stanowią ryzyko potknięcia lub przewrócenia.

URUCHAMIANIE PIŁY ŁAŃCUCHOWEJ

Patrz strona 269.

1. Podłączanie produktu do gniazda zasilania. Upewnić się, że hamulec łańcucha znajduje się w położeniu , przyciągając do siebie dźwignię/osłonę ręki.
2. Aby uruchomić produkt: Nacisnąć element zwalniający spust, a następnie nacisnąć spust przelączający.

SPRAWDZANIE I OBSŁUGA HAMULCA ŁAŃCUCHA

1. Aby włączyć hamulec łańcucha, należy przesunąć lewą rękę do przodu wokół przedniego uchwytu pilarki. Część grzbietowa dłoni powinna naciskać dźwignię hamulca łańcucha/osłonę dłoni w kierunku prowadnicy przy szybko obracającym się łańcuchu. Łańcuch powinien się natychmiast zatrzymać. Należy pamiętać, aby przez cały czas ręce znajdowały się na uchwytach pilarki.
2. Aby wyłączyć hamulec łańcucha, należy chwycić górną część dźwigni hamulca łańcucha/osłonę dłoni i pociągnąć ją w kierunku przedniego uchwytu aż do wyraźnie słyszalnego kliknięcia.

⚠ OSTRZEŻENIE

Jeśli hamulec łańcucha nie zatrzyma łańcucha natychmiast lub jeśli hamulec łańcucha nie będzie utrzymywać się w położeniu roboczym bez pomocy, przed przystąpieniem do dalszego użytkowania należy dostarczyć produkt do autoryzowanego serwisu w celu naprawy.

WYMIANA PROWADNICZY I ŁAŃCUCHA

Patrz strona 277 – 278

1. Odłączyć produkt od źródła zasilania Założyć rękawice ochronne.
2. Odblokować pokrętko blokujące prowadnicę / zespołu napinającego łańcucha, obracając je przeciwnie do ruchu wskazówek zegara do momentu poluzowania pokrywy koła łańcuchowego.
3. Zdjąć osłonę koła łańcuchowego. Wyjąć prowadnicę i łańcuch z pilarki.
4. Wykręcić śrubę służącą do mocowania prowadnicy do zespołu napinającego łańcucha. Usunąć zużyta prowadnicę i łańcuch w odpowiedni sposób.
5. Zamontować zespół napinacza łańcucha na nowej prowadnicy i dokręcić śrubę. Nałożyć nowy łańcuch w odpowiednim kierunku na prowadnicę i upewnić się, że ogniwa napędowe są odpowiednio ustawione w rowku prowadnicy.
6. Zamocować prowadnicę do pilarki łańcuchowej i nałożyć łańcuch na koło łańcuchowe. Założyć pokrywę koła napędowego.
7. Dokręcić i zablokować pokrętko blokujące prowadnicę / zespołu napinającego łańcucha, przekręcając je zgodnie z ruchem wskazówek zegara.

Łańcuch jest prawidłowo napięty, jeśli przestrzeń pomiędzy elementem tnącym łańcucha a prowadnicą wynosi ok. 3 – 4 mm. Należy pociągnąć łańcuch pośrodku dolnej części prowadnicy w dół (odciągając go od prowadnicy) i zmierzyć odległość pomiędzy prowadnicą a elementami tnącymi łańcucha.

Wyregulować napięcie łańcucha. Zapoznać się z sekcją „Regulacja napięcia łańcucha”.

⚠ OSTRZEŻENIE

Złe naostwienie łańcucha zwiększa ryzyko odrzutu.

⚠ OSTRZEŻENIE

Jeżeli nie przystąpicie do wymiany czy naprawy uszkodzonego łańcucha, narażacie się na poważne obrażenia ciałesne.

⚠ OSTRZEŻENIE

Łańcuch jest bardzo ostry. Noście zawsze rękawice ochronne podczas konserwacji łańcucha.

KONTROLA I CZYSZCZENIE HAMULCA ŁAŃCUCHA

Patrz strona 280.

- Mechanizm hamulca łańcucha należy zawsze utrzymywać w czystości. Mechanizm należy ostrożnie czyścić szczotką, usuwając z nich zabrudzenia.
- Po czyszczeniu należy zawsze przeprowadzić test działania hamulca łańcucha. Więcej informacji można znaleźć w rozdziale niniejszej instrukcji zatytułowanym „Użytkowanie — sprawdzanie i użytkowanie hamulca łańcucha”.

HARMONOGRAM KONSERWACJI

Codzienna kontrola

| | |
|--|---|
| Przewód zasilający pod kątem uszkodzeń | Przed każdym użyciem |
| Smarowanie prowadnicy | Przed każdym użyciem |
| Napięcie łańcucha | Przed każdym użyciem i często |
| Ostrość łańcucha | Przed każdym użyciem, kontrola wizualna |
| Uszkodzone części | Przed każdym użyciem |
| Poluzowane elementy mocujące | Przed każdym użyciem |
| Działania hamulca łańcucha | Przed każdym użyciem |
| Sprawdzić i oczyścić | |
| Prowadnica | Przed każdym użyciem |
| Cała pilarka | po każdym użyciu |
| Hamulec łańcucha | Co 5 godzin* |

* Godziny eksploatacji

SYMBOLE UMIESZCZONE NA PRODUKCIE



Zagrożenie bezpieczeństwa



Aby zmniejszyć ryzyko zranienia, użytkownik musi przeczytać i zrozumieć podręcznik obsługi przed przystąpieniem do użytkowania tego urządzenia.



Stosować środki ochrony oczu, słuchu i głowy.



Podczas eksploatacji produktu należy nosić obuwie ochronne z antypoślizgową podeszwą.



Należy nosić antypoślizgowe, grube rękawice ochronne.



W przypadku stwierdzenia uszkodzenia przewodu zasilania i przed rozpoczęciem czynności konserwacyjnych niezwłocznie wyjąć wtyczkę z gniazda zasilania



Zapobiegać odrzutowi i unikać kontaktu z końcówką przewodniczą.



Nie wystawiać urządzenia na działanie deszczu ani nie używać w miejscach o dużej wilgotności.



Trzymajcie i obsługujcie wasza pilarkę dwoma rękami.



Nie używajcie waszej pilarki trzymając ją jedną ręką.



Produkt spełnia wszystkie wymagania norm w kraju należącym do Unii Europejskiej, gdzie produkt został zakupiony.



Oznaczenie zgodności EurAsian



Narzędzie klasy II, podwójna izolacja



Ukraiński znak zgodności



Zużyte produkty elektryczne nie powinny być utylizowane z odpadami domowymi. Prosimy poddawać recyklingowi w odpowiednich miejscach. Informacje o właściwych metodach recyklingu można uzyskać u władz lokalnych lub sprzedawcy.



Gwarantowany poziom mocy akustycznej wynosi 104 dB (RCS1935B)



Gwarantowany poziom mocy akustycznej wynosi 105 dB (RCS2340B)



Olej do smarowania przewodnicy i łańcucha



Hamulec łańcucha

Przekręcić, aby zamontować lub wymontować przewodnicę



Zamknięte



Otwarte



Kierunku ruchu łańcucha. (Oznaczenie pod osłoną koła łańcuchowego)

SYMBOLE STOSOWANE W NINIEJSZEJ INSTRUKCJI



Podłączyć do gniazda zasilania



Odłączyć z gniazda zasilania



Części lub akcesoria sprzedawane osobno



Uwaga



Ostrzeżenie!



Stosować środki ochrony oczu i twarzy.



Stosować środki ochrony górnej części ciała.



Stosować środki ochrony nóg.



Zatrzymać urządzenie.

Poniższe symbole i nazwy które im nadano, pozwalają wyjaśnić różne poziomy ryzyka związanego z używaniem tego narzędzia.

⚠ NIEBEZPIECZEŃSTWO

Wskazuje na realne zagrożenie, które może spowodować śmierć lub poważne zranienie, jeżeli się nie uniknie tego niebezpieczeństwa.

⚠ OSTRZEŻENIE

Wskazuje na potencjalne zagrożenie, które może spowodować śmierć lub poważne zranienie, jeżeli się nie uniknie tego niebezpieczeństwa.

⚠ UWAGA

Wskazuje na potencjalne zagrożenie, które może spowodować mniejsze lub bardziej poważne zranienie, jeżeli się nie uniknie tego niebezpieczeństwa.

UWAGA

Bez symbolu ostrzeżenia

Sytuacja, która może grozić uszkodzeniem mienia.

Při konstrukci této elektrického řetězové pily hrály hlavní roli bezpečnost, výkon a spolehlivost.

ZAMÝŠLENÉ POUŽITÍ

Elektrická řetězová pila je určena pouze k venkovnímu použití. Z bezpečnostních důvodů se musí výrobek vždy řádně obsluhovat oběma rukama.

Řetězová pila je navržena pro řezání větví, kmenů, klád a trámů o průměru stanoveného řezací délkou vodící lišty. Je povoleno pouze řezat do dřeva. Tato pila je určena pouze k domácímu použití dospělými osobami, které jsou dostatečně obeznámeny se souvisejícími nebezpečími a preventivními opatřeními, která je nutné při takovém používání uplatnit.

Výrobek smí být používán dospělými osobami a ne dětmi nebo osobami, které nenosí odpovídající osobní ochranné vybavení a oděv. Tento nástroj není určen pro profesionální zpracovávání stromů.

Přístroj nepoužívejte ji k jiným účelům.

VAROVÁNÍ

Při používání výrobku musí být dodrženy bezpečnostní předpisy. Pro vaši vlastní bezpečnost a přítomných osob je nutné si přečíst a plně pochopit tyto pokyny před použitím výrobku. Velmi doporučujeme účast na profesionálně organizovaném bezpečnostním kurzu o používání, preventivních opatřeních, první pomoci a údržbě řetězových pil. Tyto pokyny uschovejte pro příští použití.

VAROVÁNÍ

Řetězové pily jsou velmi nebezpečné nástroje. Nehody způsobené používáním řetězové pily často končí ztrátou končetiny či smrtí. Nejde jen o to, že je pila nebezpečná. Padající větve, kácené stromy i odvalující se polena mohou usmrtit. Napadené nebo shnilé dřevo představuje další nebezpečí. Měli byste zhodnotit své schopnosti k bezpečnému dokončení úkolu. V případě pochyb neváhejte profesionální dřevorubce.

OBCENÁ BEZPEČNOSTNÍ VAROVÁNÍ K ELEKTRICKÝM NÁSTROJŮM

VAROVÁNÍ

Přečtěte si všechny pokyny a bezpečnostní varování. Opomenutí dodržování varování a pokynů uvedených níže může způsobit úraz elektrinou požár a/nebo vážná poranění osob.

Uschovejte všechny pokyny a upozornění, abyste se k nim mohli v budoucnosti vrátit.

Pojem „elektricky poháněný nástroj“ ve varování poukazuje na váš nástroj, který je napájen pomocí napájecího kabelu z elektrické sítě (s kabelem) nebo z baterie (bez přírodního kabelu).

PRACOVNÍ PROSTŘEDÍ

- **Udržujte pracovní prostor čistý a dobře osvětlený.** Zatarasené nebo tmavé oblasti vedou k nehodám.
- **Nepracujte s tímto elektricky poháněným nástrojem ve výbušných prostředích, například v přítomnosti hořlavých kapalin, plynů nebo prachu.** Elektricky poháněné nástroje vytváří jiskry, které mohou zapálit prach nebo výpary.
- **Udržujte děti a přihlížející během práce s elektricky poháněným nástrojem stranou.** Rozptylování může způsobit ztrátu kontroly.

ELEKTRICKÁ BEZPEČNOST

- **Zástrčky elektricky poháněného nástroje musí být shodné s elektrickou zásuvkou.** Nepokoušejte se zástrčku jakýmkoliv způsobem upravovat. **Nepoužívejte žádný adaptér zástrček se zemněným (uzemněným) elektricky poháněným nástrojem.** Neupravené zástrčky a shodné zásuvky snižují nebezpečí elektrického úrazu.
- **Předcházejte tělesnému kontaktu s uzemněnými nebo zemněnými povrchy, například trubkami, radiátory, sporáky a lednicemi.** Je zde zvýšené nebezpečí zásahu elektrickým proudem, pokud je vaše tělo zemněno nebo uzemněno.
- **Nevystavujte tento přístroj dešti nebo vlhkým podmínkám.** Voda vnikající do elektricky poháněného nástroje zvyšuje nebezpečí elektrického úrazu.
- **Nepoškozujte napájecí kabel.** Nikdy pro odpojování, táhnutí nebo přenášení elektricky poháněného nástroje nepoužívejte kabel. **Udržujte kabel mimo horké plochy, olej, pohyblivé součásti nebo ostré hrany.** Poškozené nebo zatanuté kabely zvyšují nebezpečí elektrického úrazu.
- **Pokud používáte elektricky poháněný nástroj ve venkovním prostředí, používejte prodlužovací kabel vhodný pro venkovní prostředí.** Použití kabelu vhodného pro venkovní prostředí snižuje nebezpečí elektrického úrazu.
- **Pokud používáte elektricky poháněný nástroj ve vlhkém prostředí, je nezbytné používat proudový chránič (PCH).** Použitím PCH snížíte nebezpečí poranění elektrickým proudem.

OSOBNÍ BEZPEČNOST

- **Buďte ve střehu, hlídejte, co děláte a používejte zdravý rozum při provozu tohoto elektricky poháněného nástroje.** Elektrický nástroj nepoužívejte, pokud jste unaveni nebo pod vlivem drog, alkoholu nebo léků. Chvilka nepozornosti při práci s tímto elektricky poháněným nástrojem může způsobit vážná poranění osob.
- **Používejte osobní ochrannou výbavu. Vždy noste ochranu očí.** Ochranné prostředky jako ochranná maska, protiskluzová bezpečnostní obuv, přilba a ochrana sluchu využívané podle podmínek sníží riziko úrazů.
- **Zabraňte náhodnému spuštění.** Zabezpečte, aby byl spínač v poloze vypnuto (off) před připojením zdroje energie a/nebo bloku baterií, přípravou nebo

nesením nástroje. Nošení elektrického nástroje s vaším prstem na spínači nebo se zapojenou zástrčkou elektrického nástroje může při zapnutí vést k nehodě.

- **Odstraňte všechny seřizovací klíče nebo šroubováky, než zapnete poháněný nástroj.** Klíč nebo šroubovák ponechaný přiložený k pohyblivému dílu elektricky poháněného nástroje může způsobit poranění osob.
- **Nepřeceňujte se. Udržujte řádné postavení a rovnováhu po celou dobu práce.** Toto umožňuje lepší ovládání poháněného nástroje v neočekávaných situacích.
- **Správně se oblékejte. Nenoste volný oděv nebo šperky. Udržujte svoje vlasy, oděv a rukavice mimo pohybující se části.** Volný oděv, šperky nebo dlouhé vlasy mohou být zachyceny do pohyblivých dílů.
- **Pokud jsou zařízení vybavena přípojkou pro odsávání prachu a sběrným zařízením, ujistěte se, že jsou správně připojeny k nástroji, a že se správně používají.** Použití odsavače prachu může snížit nebezpečí související s prachem.

POUŽITÍ A PÉČE O NÁSTROJ

- **Nepoužívejte nadměrnou sílu na nástroj. Nářadí vybírejte podle povahy práce, kterou chcete provádět.** Správný elektricky poháněný nástroj bude svou práci provádět lépe a bezpečněji při práci, pro kterou byl navržen.
- **Elektricky poháněný nástroj nepoužívejte, pokud spínač nezapíná a nevypíná.** Každý elektricky poháněný nástroj, který nemůže být ovládnut spínačem, je nebezpečný a musí být opraven.
- **Odpojte zástrčku od zdroje napájení a/nebo bateriový modul dříve, než provedete jakákoliv nastavení, výměnu příslušenství nebo než elektrický nástroj uložíte.** Také bezpečnostní preventivní opatření snižují riziko náhodného spuštění elektrického nástroje.
- **Ukládejte nečinný elektricky poháněný nástroj mimo dosah dětí a nenechávejte neznámé osoby pracovat s elektricky poháněným nástrojem nebo s těmito pokyny k obsluze elektrického nástroje.** Elektricky poháněné nástroje jsou nebezpečné v rukou nekvalifikovaných uživatelů.
- **Udržujte elektrické nástroje. Kontrolujte vychýlení nebo zasekávání pohyblivých dílů, rozbité části a každé jiné podmínky, které mohou ovlivnit funkci elektricky poháněných nástrojů. Zjistí-li se poškození, musí se elektricky poháněný nástroj před použitím opravit.** Mnoho úrazů je způsobeno nedostatečně udržovanými elektricky poháněnými nástroji.
- **Udržujte řezné nástroje ostré a čisté.** Řádně udržované řezné nástroje s ostrými řeznými hranami mají nízkou pravděpodobnost zaseknutí a jsou snadněji ovladatelné.
- **Poháněné nástroje, příslušenství a vrtáky, atd. používejte v souladu s těmito pokyny s ohledem k pracovním podmínkám a práci, která má být provedena.** Použití elektricky poháněného nástroje pro práce jiné, než zamýšlené by mohlo mít za následek

nebezpečnou situaci.

- **Udržujte rukojeti a úchopové oblasti suché, čisté a bez mastnot a oleje.** Kluzké rukojeti a úchopové plochy neumožňují bezpečnou manipulaci a kontrolu nad nástrojem v neočekávaných situacích.

ÚDRŽBA

- **Váš elektricky poháněný nástroj smí opravovat pouze kvalifikovaný opravárenský pracovník a musí používat pouze shodné náhradní díly.** Toto zajišťuje udržování bezpečnosti elektricky poháněného nástroje.

DOPLŇUJÍCÍ VŠEOBECNÁ BEZPEČNOSTNÍ VAROVÁNÍ

- Místní předpisy mohou omezovat použití výrobku. Ověřte si u svého orgánu místní správy toto nařízení.
- Nenechte děti nebo osoby neseznámené s těmito pokyny pracovat s výrobkem. Místní předpisy mohou omezovat dobu obsluhy.
- Před každým použitím se ujistěte, že všechny ovladače a jističe řádně fungují. Nástroj nepoužívejte, pokud přepínač „nevypíná“ (off) motor.
- Při práci s tímto výrobkem používejte úplnou ochranu zraku a sluchu, pevné a odolné rukavice a ochranu hlavy. Používejte respirátor, pokud pracujete v prachu.
- Nenoste volný oděv, kraťasy nebo jakékoliv šperky.
- Dlouhé vlasy si svažte nad rameny, aby se nemohly zaplést do pohyblivých částí.
- Dávejte pozor na odhazované, padající nebo odlétávající předměty. Děti, zvířata a další osoby se musí nacházet nejméně 15 m od pracovního prostoru.
- Neprovazujte při slabém osvětlení. Obsluha musí mít čistý výhled na pracovní oblast k identifikaci potenciálních nebezpečí.
- Uvědomte si, že použití ochrany sluchu snižuje vaši schopnost slyšet varování (poplachu nebo výkřiky). Obsluha si musí být tohoto vědoma a platí speciální upozornění, aby si všímala události v jeho pracovní oblasti.
- Obsluha podobných nástrojů zvyšuje jak nebezpečí poranění sluchu, tak osob vstupujících do zóny práce.
- Udržujte bezpečné postavení a rovnováhu. Nepřeceňujte se. Přeceňování může mít za následek ztrátu rovnováhy a zvýšení nebezpečí zpětného vrhu.
- Udržujte všechny části těla mimo pohyblivé součásti.
- Zkontrolujte nástroj před každým použitím. Ověřte správnou funkci všech ovládacích prvků včetně brzdy řetězu. Zkontrolujte včetně, zda nejsou uvolněny upínací a zda jsou všechny chrániče, vodiče plechy a rukojetě řádně a bezpečně připojeny. Před použitím vyměňte jakékoliv poškozené součásti.
- Nástroj nijak neupravujte nebo nepoužívejte příslušenství, jež nejsou doporučena výrobcem.
- Výkonové špičky způsobují napěťovou fluktuaci a mohou ovlivnit ostatní elektrické přístroje na stejném napájecím okruhu. Připojte výrobek ke zdroji napájení s impedancí rovné či menší jak 0,33 Ω pro minimalizaci napěťové fluktuace. Více informací vám poskytne váš dodavatel elektrické energie.

VAROVÁNÍ

Pokud začne po pádu, silných nárazech nástroj nenormálně vibrovat, zastavte nástroj a ihned zjistěte příčinu vibrací a rozsah škod. Pokud je nějaká část poškozena, musí se nechat řádně opravit nebo vyměnit pověřeným servisním střediskem.

- Elektrické zařízení musí být napájeno přes proudový chránič s reziduálním proudem nepřesahujícím 30 mA.
 - Pokud potřebujete použít prodlužovací kabel, ujistěte se, že je vhodný pro venkovní použití a má dostatečnou proudovou kapacitu pro napájení výrobku. Před každým použitím vizuálně prohleďte na poškození. Během používání kabel plně rozviňte, smotaný kabel se může přehřívat. Poškozené napájecí kabely se nesmí opravovat, vždy vyměňte za stejný typ.
 - V případě poškození kabelu je nutné jej před dalším použitím vyměnit.
 - Ujistěte se, zda je kabel umístěn tak, aby se nepoškodil, tedy aby se po něm neshlapalo, neklopýtal se o něj a aby nebyl jiným způsobem vystaven možnému poškození či namáhání.
 - Nikdy výrobek nezvedejte ani nepřenašejte uchopením za elektrický kabel.
 - Nikdy netahejte za napájecí kabel, chcete-li jej odpojit od elektrické sítě.
 - Dávejte pozor, aby se napájecí kabel nedostal do kontaktu s horkem, olejem nebo ostrými hranami.
 - Před každým použitím zkontrolujte napájecí kabel na poškození. Pokud jeví známky poškození, je nutná výměna kvalifikovanou osobou v pověřeném servisním středisku, aby se předešlo nebezpečí.
- **Vždy udržujte řádné postavení a obsluhujte pilu pouze při postavení na pevné, bezpečné a rovné ploše.** Kluzké a nestabilní plochy jako například žebřiky mohou způsobit ztrátu rovnováhy a kontroly nad řetězovou pilou.
 - **Když řežete větev, která je napnutá, buďte ve střehu před zpětným švihem.** Pokud se uvolní pnutí ve vláknech dřeva může napnutá větev udeřit obsluhu anebo způsobit ztrátu kontroly nad řetězovou pilou.
 - **Buďte velmi opatrní při řezání malých větviček a křovin.** Mohou se zachytit o zuby řetězu a být vymrštnuty směrem k vám a narušit tak vaši rovnováhu.
 - **Noste řetězovou pilu za přední rukojeť ve vypnutém stavu a směrem od vašeho těla. Pokud řetězovou pilu přepravujete nebo ukládáte, vždy připevňte kryt vodičí lišty.** Správné držení řetězové pily snižuje pravděpodobnost náhodného dotyku s pohyblivým se řetězem pily.
 - **Postupujte dle pokynů pro mazání, napnutí řetězu a výměnu příslušenství.** Nesprávné upnutí nebo namazaný řetěz může buď způsobit nebo zvýšit zpětný vrh.
 - **Udržujte rukojeti suché, čisté a bez mastnot a oleje.** Rukojeti znečištěné mastnotou a olejem jsou kluzké, což způsobuje ztrátu kontroly.
 - **Řezejte pouze dřevo. Nepoužívejte řetězovou pilu pro účely, pro které nebyla navržena. Například nepoužívejte řetězovou pilu pro řezání plastových, kamenných nebo nedřevěných stavebních materiálů.** Použití řetězové pily pro práce jiné, než zamýšlené, by mohlo mít za následek nebezpečnou situaci.

BEZPEČNOSTNÍ VAROVÁNÍ K ŘETĚZOVÉ PILE

- **Při používání pily musí být všechny části těla mimo dosah jejího řetězu. Před spuštěním řetězové pily zkontrolujte, zda se řetěz pily nedotýká žádného předmětu.** Chvilce nepozornosti při práci s řetězovou pilou může způsobit zamotání vašeho oděvu nebo těla do řetězu pily.
- **Vždy držte řetězovou pilu pravou rukou na zadní rukojeti a levou rukou na přední rukojeti.** Držení řetězové pily v opačném umístění rukou se zvyšuje nebezpečí poranění osob a nemělo by se nikdy používat.
- **Toto elektrické nářadí držte pouze na izolovaných plochách, protože řetěz pily může přijít do styku se skrytými vodiči nebo s vlastním napájecím přívodem.** Kontakt pilového řetězu s „živým“ vodičem způsobí, že kovové části elektrického nástroje se stanou také „živými“ a způsobí elektrický úraz obsluze.
- **Noste ochranné brýle a ochranu sluchu. Doporučuje se také nosit další ochranné pomůcky pro hlavu, ruce, nohy a chodidla.** Vhodný ochranný oděv snižuje četnost poranění osob odlétávajícími úlomky nebo náhodného dotyku s řetězem pily.
- **Řetězovou pilu nepoužívejte na stromě.** Obsluha řetězové pily, když jste na stromě, může mít za následek poranění osob.

Příčiny a prevence zpětnému vrhu:

Pokud konec vodičí lišty narazí na cizí předmět nebo dojde k zablokování řetězu při řezání, existuje nebezpečí zpětného vrhu.

Dotyk vrcholem vodičí lišty může v některých případech způsobit náhlou zpětnou reakci, což je vyhození vodičí lišty nahoru a zpět směrem k obsluze.

Sevržení řetězu pily na horní části vodičí lišty může vodičí lištu rychle zatlačit zpět směrem k obsluze.

Ve všech uvedených případech může obsluha pily ztratit kontrolu nad nářadím a způsobit si vážný úraz. Nespoléhejte pouze na ochranné prvky řetězové pily. Při obsluze řetězové pily je třeba dodržovat opatření k zajištění bezpečnosti a ochrany zdraví při práci.

Zpětný vrh je následkem nesprávného používání nástroje anebo nesprávných pracovních postupů nebo podmínek a lze se jim vyhnout prováděním správných opatření, viz níže:

- **Udržujte pevný úchop, palce a prsty obepínají rukojeti řetězové pily, oběma rukama na řetězové pile a rozestavte své tělo a ruce tak, abyste odolávali silám zpětného vrhu.** Síly zpětného vrhu mohou být ovládnuty obsluhou, pokud provede správná opatření. Řetězovou pilu neopouštějte.
- **Nepřečunujte se a neřežte nad úroveň ramen.** Toto pomáhá zabránit neúmyslnému kontaktu s vrcholem vodičí lišty a umožňuje lepší ovládání řetězové pily

v neočekávaných situacích.

- **Používejte pouze náhradní vodičí lišty a řetězy určené výrobcem.** Nesprávné náhradní vodičí lišty a řetězy mohou způsobit zlomení řetězu anebo zpětný vrh.
- **Dodržujte pokyny výrobce při ostření a údržbě řetězu.** Zmenšení výšky hloubkoměru může vést ke zvýšenému zpětnému vrhu.

DOPLŇUJÍCÍ BEZPEČNOSTNÍ VAROVÁNÍ K ŘETĚZO- VĚ PILE

- Doporučujeme řezat polena na řezací koze nebo speciální podpěře (kolébce), když výrobek používáte poprvé.
- Zkontrolujte, zda jsou všechny bezpečnostní kryty, rukojeť a ozubené opěrky správně instalovány a v dobrém stavu.
- Osoby, které používají výrobek by měl být v dobrém zdravotním stavu. Pila je těžká, takže její obsluha musí být tělesně zdatná. Obsluha musí být pozorná, mít dobrý výhled, mobilitu, rovnováhu a manuální zručnost. Pokud jsou jakékoliv pochybnosti, nepoužívejte výrobek.
- Nezačínajte řezat, dokud není pracovní zóna vyčištěná, dokud nebudete stát pevně oběma nohama na zemi a dokud nebudete mít promyšlenou únikovou cestu před padajícím stromem.
- Dávejte si pozor na emise výparů z mazacího oleje a prachu z pilin. V případě nutnosti noste masku nebo respirátor.
- Pokud se poškodí napájecí kabel, nechte výrobek opravit pouze v pověřeném servisu.
- Vždy udržujte kabel natažený a mimo oblast sečení. Kromě nebezpečí usmrcení elektrickým proudem, můžete o zamotaný kabel zakopnout a upadnout.
- Neodřezávejte výhonky ani křoviny s malým průměrem (do 75 mm).
- Během používání držte pilu vždy oběma rukama. Držte řetězovou pilu pevně, prsty musí pevně spočívat na rukojeti. Pravou rukou držte zadní rukojeť a levou rukou přední rukojeť.
- Před spuštěním produktu zkontrolujte, že se řetězová pila nedotýká žádného předmětu.
- Tuto pilu žádným způsobem neupravujte, ani ji nepoužívejte k pohánění žádných zařízení, která nedoporučil její výrobce.
- Na pracovišti obsluhy pily by se měla nacházet lékárnička s obvazy a prostředky pro upozornění (např. píšťalku). V rozumném dosahu by se pak měla nacházet obsáhlejší sada.
- Kdykoliv při práci s produktem noste helmu. Helma vybavená síťovým průzorem může pomoci snížit riziko zranění tváře a hlavy při zpětném rázu.
- Nesprávně napnutý řetěz může vyskočit z vodičí lišty a způsobit vážné či smrtelné poranění. Délka řetězu závisí na teplotě. Pravidelně kontrolujte napnutí řetězu.
- Měli byste si zvyknout na novou motorovou pilou tím, že budete provádět jednoduché řezy pevně podepřeného dřeva. Udělejte to vždy, když jste pilu nějakou dobu

nepoužívali.

- K snížení rizika úrazu způsobeného stykem s pohyblivými díly vždy vypněte motor, aktivujte brzdou řetězu a odpojte zástrčku od zásuvky napájení. Ujistěte se, že se zastavily všechny pohyblivé díly:
 - před opuštěním výrobku
 - před čištěním nebo odstraněním ucpávky,
 - před demontáží a montáží příslušenství,
 - před kontrolou, čištěním nebo prací na nástroji,
- Plocha pracovní zóny závisí na povaze práce, na velikosti stromu nebo řezaného materiálu. např. při kácení stromu potřebujete více místa než při řezání větví. Obsluha musí být pozorná a mít pod kontrolou veškeré dění v pracovní oblasti.
- Neřežte v linii s vodičí lištou a řetězem. Pokud budete vystaveni zpětnému vrhu, pomůže to zabránit kontaktu řetězu s vaší hlavou či tělem.
- Nepoužívejte při řezání pohyby plou vpřed a vzad, vlastní řezání nechejte provádět řetěz, při řezání netlačte na řetěz.
- V konečné fázi řezu na řetězovou pilu netlačte. Buďte připraveni na hmotnost pily, když se uvolní ze dřeva. Pochybení tak může způsobit případné vážné osobní poranění.
- Nezastavujte pilu během řezání. Nechejte pilu běžet, dokud se neuvolní z řezu.

Prostředky osobní ochrany

Kvalitní osobní ochranné prostředky, které používají profesionálové, pomohou snížit riziko poranění obsluhy. Při obsluze řetězové pily je třeba použít následující:

Ochranná přilba

- ve shodě s EN 397 a označená značkou CE

Ochrana sluchu

- ve shodě s EN 352-1 a označená značkou CE

Ochranu zraku a obličje.

- označená značkou CE a ve shodě s EN 166 (pro safety glasses) nebo EN 1731 (síťovinový průhled)

Rukavice

- ve shodě s EN381-7 a označená značkou CE

Ochrana dolních končetin (s vycpávkou)

- ve shodě s EN381-5, označená značkou CE a poskytuje všestrannou ochranu.

Bezpečnostní obuv odolnou řetězové pile

- ve shodě s EN ISO 20345:2004 a označeno štítek bráncí průniku řetězové pily a označeno dle EN 381-3. (Občasní uživatelé mohou používat bezpečnostní obuv se špičkou vyztuženou ocelí dle EN 381-9, zpokud je podklad rovný a kde je malé riziko zakopnutí nebo zachycení porostem)

Ochranná bunda proti zášahu pilou pro horní část těla

- ve shodě s EN 381-1 a označená značkou CE

POKYNY TÝKAJÍCÍ SE SPRÁVNÉ TECHNIKY PRO ZÁ- KLADNÍ KÁCENÍ, ODVĚTOVÁNÍ A PŘÍČNÉ ŘEZÁNÍ

Pochopení sil ve dřevě

Pokud porozumíte směrovým tlakům a prnutí ve dřevě můžete redukovat počet „sevření“, nebo je alespoň

očekávat během řezání. Prnutí ve dřevě znamená, že vlákna dřeva jsou tažena od sebe a pokud vedete „zářez“ v této oblasti, nebo řez, bude mít tendenci se uvolňovat při púchodu pily. Je-li poleno podpořeno na stojanu pro dřevo („koza“) a konec visí nepodopřen pak je prnutí vytvářeno prnutí vláken na horní straně hmotností převislé části polena. Stejně tak je napnutá i spodní strana polena a vlákna jsou tlačena k sobě. Pokud je řez prováděn v této oblasti, bude mít zářet tendenci se během řezání uzavírat. Múže dojít k sevření lišty.

Kácení stromu

Viz strana 273 - 274.

Při přeřezávání a kácení jsou zapotřebí dvě a více osob současně, kácení by se mělo provádět odděleně od přeřezávání do vzdálenosti alespoň dvojnásobku výšky káceného stromu. Strom se nesmí kácet tak, aby neohrožoval žádné osoby, narážel do jakékoli technického zařízení nebo způsobil jakékoli vážné poškození. Pokud se strom dostane do kontaktu s nějakým technickým zařízením, musí se ihned kontaktovat firma, která toto zařízení provozuje.

Pokud má terén sklon, stújte vždy nahoře na svahu, neboť pokácený strom se múže skoulet ze svahu dolú.

Úniková cesta by se měla naplánovat a dle potřeby vyčistit před začátkem řezání. Úniková cesta by měla směřovat dozadu a úhlopříčně k předpokládané dráze pádu.

Než začnete kácet, uvědomte si přirozený náklon stromu, umístění velkých větví a směr větru, abyste posoudili, kterým směrem bude strom padat.

Ze stromu odstraňte nečistoty, kameny, volnou kúru, hřebíky, třmeny a drát.

Nepokoušejte se kácet stromy, které jsou prohnílé nebo poškozené větrem, požárem, bleskem atd. Je to mimořádně nebezpečné a měli by to provádět pouze profesionálové.

■ Zářez

Viz strana 273 - 274.

Kolmo na směr padání stromu provedte zářez ve velikosti jedné třetiny jeho průměru. Proveďte nejprve spodní vodorovný řez. Pomáhá to proti sevření buď řetězu pily nebo vodící lišty, když by se provedl nejprve vodorovný zářez.

■ Hlavní řez

Viz strana 273 - 274.

Hlavní řez provádějte minimálně 50 mm (2 palce) nad vodorovným zářezem záseku. Hlavní řez provádějte rovnoběžně s vodorovným řezem záseku. Zajistěte, aby při hlavním řezu zůstal dostatečný nedořez. Nedořez zabraňuje otáčení stromu a pádu nesprávným směrem. Nepřeřezávejte nedořez.

Jakmile bude hlavní řez blízko nedořezu, měl by strom začít padat. Je-li nějaká možnost, že strom nebude padat požadovaným směrem nebo se nakloní zpět a sevře řetězpily, zastavte řezání před dokončením hlavního řezu a použijte klín ze dřeva, plastu nebo hliníku abyste hlavní řez otevřeli a nechli padnout strom do požadovaného směru.

Jakmile začne strom padat, vyndejte řetězovou pilu z řezu, zastavte motor, položte pilu, pak použijte dřive napláovanou únikovou cestu. Dávejte si pozor na pád

horních větví a sledujte své postavení.

Řezání kořenových náběhů

Viz strana 274.

Kořenový náběh je kořen vedoucí z kmene až k zemi. Než začnete kácet strom, odřežte kořenové náběhy. Proveďte nejdříve vodorovný zářez do kořenového náběhu a poté svislý zářez. Odstraňte odřezané části z pracovní zóny. Po odstranění náběhových kořenů múžete začít s kácením.

Tlak a tah

Zpětné působení (reakce) je vždy v opačném směru oproti směru otáčení řetězu. Proto musí operátor neustále dávat pozor, aby se produkt při řezání spodního okraje tyče neodsunul (dopředu). Zapojte vždy pevné trn, aby k takovému pohybu nedošlo. Produkt múže být tlačén dozadu (k operátorovi) při řezání podél horního okraje. Aby k tomu nedošlo, řetěz nesmí při řezání podél horního okraje uvíznout.

Pila zaseknuta v řezu

Zastavte řetězovou pilu a zabezpečte ji. Netlačte na řetěz ani lištu, abyste ji dostali z řezu, protože se snadno zlomí řetěz, který pak následně odletí směrem k obsluze. K situaci dochází, pokud není dřevo řádně podepřeno, což nutí řez uzavírat pod tlakem s následkem sevření lišty. Pokud úpravou podpěry neuvolníte řetěz ani lištu, použijte dřevěné klíny nebo páku k otevření řezu a uvolnění pily. Nikdy se nepokoušejte spustit řetězovou pilu, když je vodící lišta již v řezu či zářezu.

Sklouzávání, odsakování

Pokud pila nezajíždí do řezu, múže vodící lišta začít nebezpečně klouzat po povrchu kmene nebo větve s případnou ztrátou ovládní jejího pohybu. Pro prevenci nebo omezení rizika sklouzávání či odsakování držte pilu vždy oběma rukama. Dbejte na to, aby řetěz pily vždy nejprve vytvořil drážku pro řez.

Motorovou pilou nikdy neřežejte ohebné větve nebo keře. Jejich rozměr a pružnost mohou snadno způsobit, že pila odskočí směrem k vám a pojme takovou sílu, která způsobí zpětný vrh. Nejlepšími nástroji pro takovou práci jsou ruční pilky, vyvětvovací nůžky a sekera nebo jiné ruční nástroje.

Rozřezávání kmene

Viz strana 275.

Rozřezávání kmene je řezání na požadované délky. Je důležité, abyste si zajistili pevné postavení a rovnoměrně rozmístili svou hmotnost na obě nohy. Je-li to možné, nadzvedněte a podepřete kmen pomocí větví, kmenů nebo špalků. Nechte se vést přirozeným směrem pro snadné řezání. Je-li kmen podepřen po celé délce, vedte řez seshora (horní řez).

Je-li kmen podepřen na jednom konci, vedte řez zesponu do 1/3 (zesponu nahoru). Pak proveďte konečný řez seshora, tak abyste se setkali s prvním řezem.

Je-li kmen podepřen na jednom konci, vedte řez shora do 1/3 (shora dolú). Pak proveďte konečný řez zesponu do zbylých 2/3 tak, abyste se setkali s prvním řezem.

Když řežete na svahu, vždy stújte na horní straně pokáceného kmenu. Při přeřezávání, pro udržení maximální

kontroly, uvolněte řezací tlak na konci řezu bez uvolnění úchopu na rukojetích řetězové pily. Nedovolte, aby řetěz přišel do kontaktu se zemí. Po dokončení řezu počkejte, až se řetěz pily zastaví, pak teprve pilu přesunujte. Před přemísťováním od stromu ke stromu vždy zastavujte motor.

Odvětvování stromu

Viz strana 276.

Odvětvování je odstraňování větví z poraženého stromu. Při odvětvování ponechte spodní větve jako podporu kmenu na zemi. Malé větve odstraňujte v jedno řezu. Velké větve pod prnutím by se měly ořezávat z horní strany, aby se zabránilo sevření řetězové pily.

Odpružené větve

Viz strana 276.

Šlahoun je větev, pokácený strom nebo část keře, která se ohnula pod vahou dřeva a která se náhle vymrštlí, jakmile začnete řezat nebo vyndávat kládu, která tento živý šlahoun drží.

Pokácený strom se může vymrštlit do svislé polohy při odřezávání od kmene. Tyto živé překážky jsou nebezpečné. Nepokoušejte se řezat ohnuté větve nebo kmeny, které jsou napnuty, pokud nejste odborně vyškoleni a k tomu způsobilí.

VAROVÁNÍ

Živé šlahouny jsou nebezpečné, protože vás mohou udeřit a můžete ztratit kontrolu nad řetězovou pilou. Tyto kritické situace mohou být příčinou vážného úrazu, v některých případech se smrtelnými následky. To mohou provádět pouze zkušení uživatelé.

TRANSPORT A SKLADOVÁNÍ

Viz strana 281 - 284.

- Výrobek zastavte, odpojte od zdroje elektrického napájení a nechte vychladnout. Před uložením nebo převážením ve vozidle nechte nástroj vychladnout.
- Odstraňte z výrobku všechny cizí materiály. Ukládejte v chladných, suchých a dobře větraných prostorech, které nejsou přístupné dětem. Nářadí neuskładňujte v blízkosti žíravých látek, jako například v blízkosti zahrádkářských nebo zahradnických chemických přípravků nebo soli na zimní sypaní komunikací. Neskladujte mimo budovu.
- Před skladováním nebo přepravováním vždy naumíst'ujte kryt vodící lišty.
- Při transportu výrobku zajistěte proti pohybum nebo pádu, abyste zabránili poranění osob nebo poškození výrobku.

ÚDRŽBA

Vždy udržujte výrobek v dobrém provozním stavu.

VAROVÁNÍ

Používejte pouze originální příslušenství, doplňky a náhradní díly výrobce. Zanedbání může zapříčinit možné poranění, slabý výkon a může dojít ke ztrátě záruky.

VAROVÁNÍ

Údržba vyžaduje extrémní péči a znalosti a měla by být prováděna pouze kvalifikovaným servisním technikem. Výrobek nechte opravit pouze v pověřeném servisu. Při údržbě používejte pouze původní náhradní díly výrobce.

VAROVÁNÍ

Před čištěním, úpravami či údržbou výrobek odpojte ze zdroje elektrického napětí. Pochybení tak může způsobit vážné poranění osob.

- Můžete provádět pouze v návodu k obsluze uvedené opravy a seřizení. Jiné opravy výrobku svěřte pouze pověřenému servisnímu středisku.
- Nesprávná údržba nebo odstranění či úprava bezpečnostních prvků, například brzdy řetězu, chrániče rukou (předního a zadního), špičatého nárazníku, dorazu řetězu, vodící lišty, nebo pilového řetězu pro snížené zpětné rázy může způsobit nesprávnou funkci bezpečnostních opatření a tak zvýšit riziko vážného úrazu. Zajišťujte odbornou údržbu a bezpečnost pily.
- Bezpečné ostření řetězu je odborný úkol. Proto výrobce důrazně doporučuje výměnu opotřebeného nebo tupého řetězu novým, který je k dispozici v pověřeném servisním středisku. Číslo dílu je uvedeno v tabulce specifikací produktu v tomto návodu.
- Postupujte dle pokynů pro mazání, napnutí řetězu, kontrolu a seřizení.
- Po každém použití seřetez nástroj měkkým a suchým hadříkem.
- Zkontrolujte všechny šrouby, matice v častých intervalech na řádné utažení, aby se zajistilo, že zařízení bude pracovat v bezpečných pracovních podmínkách. Jakýkoliv poškozený díl je nutné správně opravit nebo nechat vyměnit v autorizovaném servisním středisku.

ZBYTKOVÁ RIZIKA

Dokonce, i když se výrobek provozuje jak je předepsáno, je stále nemožné zcela eliminovat veškeré zbytkové rizikové faktory. Následující nebezpečí mohou nastat při používání; vyhněte se:

- Poranění způsobené vibracemi
 - Vždy používejte správný nástroj pro danou práci. Používejte určené rukojeti. Provozní dobu pily a vystavení vibracím omezujte.
- Vystavování hluku může způsobit poškození sluchu.
 - Noste ochranu sluchu a omezte vystavení.
- Styk s nezakrytými pilovými zuby na řetězu (nebezpečí pořezání).
- Nepředvídaný, náhlý pohyb či zpětný ráz vodící lišty

(nebezpečí pořezání).

- Od řetězu pily odlétávají částice (nebezpečí pořezání/vpichnutí).
- Odmršťování úlomků obrobku (piliny, třísky).
- Inhalace prachu a částic.
- Styk pokožky s olejem.

SNÍŽENÍ RIZIKA

Bylo zjištěno, že vibrace z ručních pracovních nástrojů mohou u některých osob přispívat ke stavu tzv. Raynaud's Syndromu (Raynaudovu syndromu). Mezi jeho příznaky patří brnění, necitlivost a zblednutí prstů, patrné obvykle po pobytu v chladu. Vědci se domnívají, že k rozvinutí těchto příznaků přispívají dědičné faktory, pobyt v chladu a vlhku, strava, kouření a pracovní návyky. Uživatel může omezit případné působení vibrací použitím vhodných opatření:

- Za chladného počasí se teple oblečte. Při práci s nástrojem si navlekněte rukavice, abyste udrželi ruce a zápěstí v teple. Bylo zjištěno, že chladné počasí je hlavním faktorem přispívajícím k Raynaud's Syndromu (Raynaudovu syndromu).
- Během práce si v pravidelných intervalech zavčivte, abyste zvýšili krevní oběh.
- Zařazujte časté pracovní přestávky. Omezte dobu práce za den.
- U profesionálních prodejců řetězových pil jsou k dispozici speciální ochranné rukavice poskytující ochranu, dobrý úchop a rovněž redukuje účinek vibrací rukojeti.

Jakmile pocítíte některý z výše uvedených příznaků tohoto syndromu, okamžitě přerušte práci a vyhledejte lékaře.

VAROVÁNÍ

Poranění mohou být způsobena, či zhoršena, prodlouženým používáním nástroje. Když používáte jakýkoliv nástroj delší dobu, dělejte pravidelně přestávky.

POZNEJTE SVŮJ NÁSTROJ

Viz strana 267.

1. Ostrá část řetězu
2. Vodicí lišta
3. Ochranný kryt ruky/bezpečnostní brzda řetězu
4. Přední rukojeť
5. Pojistka proti nechtěnému spuštění nářadí
6. Zadní rukojeť
7. Špička nárazníku
8. Uzávěr olejové nádrže
9. Přidržovač kabelu
10. Spínač
11. Kryt ozubeného kola
12. Napnutí řetězu / Zamykací šroub vodicí lišty
13. Údržba vodicí lišty
14. Úchytka lišty

BEZPEČNOSTNÍ ZAŘÍZENÍ

Řetěz omezující nebezpečí zpětného vrhu

Slabý zpětný vrh pomáhá redukovat possibility plného zpětného vrhu.

Omezovací zuby pilového řetězu mohou potlačit efekt zpětného vrhu a zamezit tak, aby zuby pily pronikly příliš hluboko do oblasti zpětného vrhu. Používejte pouze náhradní vodicí lišty a řetězy doporučené výrobcem.

Po nabroušení řetězu buďte velmi opatrní, při naostření se oslabí ochrana proti zpětnému vrhu. Pro vaši bezpečnost měňte pilový řetěz když se řezací výkon sníží.

Špička nárazníku

Integrovaná špička nárazníku se může používat otočená, když provádíte řez. Pomáhají udržovat stabilitu těla řetězové pily během řezání. Při řezání tlačte nástroj dopředu, dokud se ozubené opěrky nebudou dotýkat okraje dřeva, pak pohybem zadní rukojeti nahoru nebo dolů ve směru řezu může zmírnit fyzickou zátěž řezání.

Vodicí lišta

Obecně platí, že vodicí lišty s malými poloměry špičky mají nižší potenciál zpětného rázu (vrhu). Měli byste použít vodicí lišty a odpovídající řetěz, které jsou dlouhé tak, aby provedly danou práci. Delší lišty zvyšují nebezpečí ztráty kontroly během řezání. Pravidelně kontrolujte napnutí řetězu. Při řezání menších větví (méně než celá délka vodicí lišty) je více než pravděpodobné, že nesprávně napnutý řetěz bude odhazován.

Bezpečnostní brzda řetězu

Cílem bezpečnostní brzdy je rychle zastavit řetěz. Řetěz se musí rychle zastavit, jakmile je brzdová páčka/ochranný kryt ruky sklopena dopředu. Brzda řetězu nezabrání efektu zpětného vrhu. Rádné napnutí tedy snižuje riziko poranění obsluhy způsobené řezací lištou při plném zpětném vrhu. Brzda řetězu by se měla kontrolovat před každým použitím na řádnou funkci jak v jejím běhu a brzdících polohách.

Úchytka lišty

Doraz řetězu zabraňuje odlétnutí řetězu na obsluhu, pokud se řetěz uvolní nebo poškodí.

MONTÁŽ

VAROVÁNÍ

Pokud nějaké předměty chybí nebo jsou viditelně poškozeny, nepracujte s tímto výrobkem, dokud se součásti nevymění. Pochybení tak může způsobit vážné osobní poranění.

MONTÁŽ VODICÍ LIŠTY A PILOVÉHO ŘETĚZ.

Viz strana 268 - 269.

1. Vytáhněte zástrčku napájecího kabelu ze zásuvky. Použijte ochranné brýle.
2. Odšroubujte šroub uzamknutí vodicí lišty a sejměte kryt ozubeného kola.
3. Jednotlivé řezné články řetězu musí být otočeny ve směru otáčení řetězu. Pokud směřují obráceně, otočte

celý řetěz.

4. Nasadte vodící články řetězu do drážky vodící lišty.
4. Nasadte řetěz tak, aby vytvořil smyčku v zadní části vodící lišty.
6. Přidržte řetěz na liště a nasadte smyčku řetězu na hnací řetězové kolo. Zasuňte lištu tak, že šroub projde otvorem v přiložené sestavě napínání řetězu.
7. Vraťte kryt řetězového kola a potom otáčením ve směru chodu hodinových ručiček utáhněte knoflík pro aretaci napnutí řetězu a vodící lišty až do zaskočení v aretované poloze. Napnutí řetězu často kontrolujte. Správně napnutý řetěz je, když je mezera mezi řezacím článkem řetězu a vodící lištou 3 mm až 4 mm. Zatáhněte řetěz uprostřed spodní strany vodící lišty směrem dolů (od vodící lišty) a změřit vzdálenost mezi vodící lištou a řezným článkem řetězu.
8. Otáčením ve směru chodu hodinových ručiček utáhněte knoflík pro aretaci napnutí řetězu a vodící lišty.

SEŘÍZENÍ NAPNUTÍ ŘETĚZU

Viz strana 279.

1. Odpojte ze zdroje elektrického napájení Použijte ochranné brýle.
2. Před opravou napnutí řetězu zcela povolte knoflík pro aretaci napnutí řetězu a vodící lišty a po opravě napnutí jej otáčením ve směru chodu hodinových ručiček utáhněte až do zaskočení v aretované poloze. Napnutí řetězu často kontrolujte. Správně napnutý řetěz je, když je mezera mezi řezacím článkem řetězu a vodící lištou 3 mm až 4 mm. Zatáhněte řetěz uprostřed spodní strany vodící lišty směrem dolů (od vodící lišty) a změřit vzdálenost mezi vodící lištou a řezným článkem řetězu.
3. Otáčením ve směru chodu hodinových ručiček utáhněte knoflík pro aretaci napnutí řetězu a vodící lišty.
POZNÁMKA: Sestava lišty a napínání řetězu se musí pohybovat volně bez znečištění a řetěz musí být správně nasazen na řetězovém kole. Pokud je po zajištění knoflíku pro aretaci napnutí řetězu / vodící lišty řetěz příliš napnutý nebo příliš volný, zkontrolujte, zda je sestava vodící lišty a napínání řetězu čistá a správně sestavená.

Podle potřeby odejměte kryt řetězového kola a vodící lištu za účelem čištění a po vyčištění díly znovu sestavte.

POUŽITÍ

DOPLNĚNÍ MAZACÍHO OLEJE ŘETĚZU

Viz strana 269.

VAROVÁNÍ

Nikdy nepracujte bez maziva řetězu. Pokud pila běží bez maziva, mohou se vodící lišta i řetěz poškodit. Zásadní význam má častá kontrola hladiny oleje v hladinoměru před spuštěním řetězové pily.

1. Vyčistěte oblast okolo víka olejové nádrže pro zabránění kontaminace.
2. Odšroubujte a sundejte víko z olejové nádrže.
3. Lijte do olejové nádrže olej a sledujte měрку hladiny

oleje. Zajistěte, aby se při plnění oleje do olejové nádrže nedostaly žádné nečistoty.

4. Našroubujte víko olejové nádrže zpět a utáhněte. Setřete veškeré rozlité množství.
5. Jedna plná olejová nádrž vydrží na 12 – 18 minut používání řetězové pily.

DRŽENÍ PILY

Viz strana 269.

Vždy držte řetězovou pilu pravou rukou na zadní rukojeti a levou rukou na přední rukojeti. Držte řetězovou pilu pevně oběma rukama, palce a prsty musí obepínat rukojeti. Zajistěte, aby levá ruka držela přední rukojet tak, že je palec dole.

VAROVÁNÍ

Vždy udržujte kabel natažený a mimo oblast sečení. Kromě nebezpečí usmrcení elektrickým proudem, můžete o zamotaný kabel zakopnout a upadnout.

SPOUŠTĚNÍ PILY

Viz strana 269.

1. Výrobek připojte k síťové zásuvce. Zatažením za páčku brzdy/ chrániče ruky směrem dozadu se ujistěte, že brzda řetězu není aktivní.
2. Spuštění produktu: Stiskněte pojistku spínače a následně stiskněte spínač.

KONTROLA A PROVOZ BRZDY ŘETĚZU

1. Levou rukou uchopte přední rukojet pro aktivaci brzdy řetězu. Hřbetem ruky tlačte brzdu řetězu stlačením páčky brzdy řetězu/chrániče ruky směrem k liště, až se začne řetěz rychle otáčet. Řetěz se musí okamžitě přestat pohybovat. Vždy mějte na rukojetích pily obě ruce.
2. Uvolněte brzdu řetězu uchopením a přesunutím páčky brzdy řetězu/chrániče ruky směrem k přední rukojeti. Při uvolnění brzdy lze slyšet cvaknutí.

VAROVÁNÍ

Pokud brzda řetězu nezastavuje řetěz okamžitě nebo pokud brzda řetězu nezůstává v provozní poloze bez pomoci, vezměte pilu před dalším používáním do pověřeného servisního střediska k opravě.

VÝMĚNA VODICÍ LIŠTY A ŘETĚZU PILY

Viz strana 277 - 278.

1. Odpojte ze zdroje elektrického napájení Použijte ochranné brýle.
2. Otáčením ve směru proti chodu hodinových ručiček povolte knoflík pro aretaci napnutí řetězu a vodící lišty až do uvolnění krytu řetězového kola.
3. Sundejte kryt ozubčeného kola. Sundejte vodící lištu a řetěz z nástroje.
4. Vyjměte šroub držící vodící lištu k mechanismu pro napínání řetězu. Starou lištu a řetěz pily zlikvidujte správným způsobem.
5. Namontujte utahovač řetězu na novou lištu a utáhněte šroub. Umístěte nový řetěz ve správném směru na

vodící lištu a ujistěte se, že jsou vodící články řetězu srovnány v drážce vodící lišty.

- Připevněte lištu k řetězové pile a obtočte řetěz okolo hnacího ozubeného kola.
Nasadte kryt ozubeného kola.

- Otáčením ve směru chodu hodinových ručiček utáhněte knoflík pro aretaci napnutí řetězu a vodící lišty.

Správně napnutý řetěz je, když je mezera mezi řezacím článkem řetězu a vodící lištou 3 mm až 4 mm. Zatáhněte řetěz uprostřed spodní strany vodící lišty směrem dolů (od vodící lišty) a změřit vzdálenost mezi vodící lištou a řezným článkem řetězu.

Nastavte napnutí řetězu. Přečtěte si informace uvedené v části „Seřízení napnutí řetězu“.

VAROVÁNÍ

Nesprávné naostření řetězu může být příčinou zpětného vrhu.

VAROVÁNÍ

Pokud nezajistíte výměnu nebo opravu poškozeného řetězu, vystavujete se nebezpečí vážného úrazu.

VAROVÁNÍ

Řetěz je velmi ostrý. Při údržbě řetězu vždy pracujte v rukavicích.

KONTROLA A ČIŠTĚNÍ BRZDY ŘETĚZU

Viz strana 280.

- Mechanismus brzdy řetězu vždy udržujte čistý pomocí kartáče.
- Po vyčištění vždy zkontrolujte výkon brzdy řetězu. Další informace najdete v části tohoto manuálu „Provoz - Kontrola a provozování brzdy řetězu“.

PLÁN ÚDRŽBY

| Denní kontroly | |
|---------------------------------------|---|
| Elektrický kabel pro případ poškození | Před každým použitím |
| Mazání lišty | Před každým použitím |
| Napnutí řetězu | Před každým použitím a pravidelně |
| Ostrost řetězu | Před každým použitím, vizuální kontrola |
| Poškozené součásti | Před každým použitím |
| Uvolnění spojovacích prvků | Před každým použitím |
| Funkce brzdy řetězu | Před každým použitím |
| Prohlížejte a čistěte: | |
| Lišta | Před každým použitím |

| | |
|---------------------------|-------------------|
| Úplnost pily | po každém použití |
| Bezpečnostní brzda řetězu | Každých 5 hodin* |

*Hodin provozu

SYMBOLY NA VÝROBKU



Bezpečnostní výstraha



Pro snížení nebezpečí poranění musí uživatel před použitím tohoto nástroje přečíst a pochopit návod k použití.



Používejte ochranu zraku, hlavy a sluchu.



Noste neklouzavou bezpečnostní obuv, když používáte tento výrobek.



Navlékněte si pevné neklouzavé rukavice.



Vyndejte ihned zástrčku z elektrické zásuvky, jakmile zjistíte poškození nebo před údržbou.



Zabraňte zpětnému vrhu řetězové pily a kontaktu se špičkou vodící lišty.



Nevystavujte dešti nebo nepoužívejte ve vlhkých podmínkách.



Řetězovou pilu držte pevně oběma rukama.



Řetězovou pilu nikdy neobsluhujte jen jednou rukou.



Toto nářadí je v souladu se všemi normami a předpisy platnými v zemi EU, ve které bylo zakoupeno.



Euroasijská značka shody



Zařízení třídy II, dvojité izolováno



Ukrajinská značka shody



Odpad elektrických výrobků se nesmí likvidovat v domovním odpadu. Recyklujte prosím na sběrných místech. Ptejte se u místních úřadů nebo prodejce na postup při recyklaci.



Zaručená hladina akustického výkonu je 104 dB (RCS1935B)



Zaručená hladina akustického výkonu je 105 dB (RCS2340B)



Olaj pro lištu a řetěz



Bezpečnostní brzda řetězu

Otáčením povolte nebo utáhněte
vodící lištu



Zamknuto



Odemknuto



Směr pohybu řetězu. (Vyznačeno pod
krytem ozubeného kola)

SYMBOLY V NÁVODU



Zapojení do elektrické zásuvky



Odpojení od elektrické sítě



Díly nebo příslušenství jsou v prodeji
samostatně



Poznámka



Varování



Noste ochranu sluchu a obličej.



Noste ochranu horní části těla.



Noste ochranu dolních končetin.



Zastavte produkt.

Následující signální slova a významy jsou vhodné pro vysvětlení úrovní nebezpečí spojených s tímto výrobkem.

⚠ NEBEZPEČÍ

Označuje bezprostředně rizikovou situaci, které je třeba předejít, jinak bude jejím následkem smrt nebo vážné

zranění.

⚠ VAROVÁNÍ

Označuje možnou rizikovou situaci, které je třeba předejít, jinak jejím následkem může být smrt nebo vážné zranění.

⚠ VAROVÁNÍ

Označuje možnou rizikovou situaci, které je třeba předejít, jinak jejím následkem může být smrt nebo vážné zranění.

VAROVÁNÍ

Bez symbolu bezpečnostní výstrahy

Určuje situaci, která může mít za následek vážné poškození.

EN
FR
DE
ES
IT
NL
PT
DA
SV
FI
NO
RU
PL
CS
HU
RO
LV
LT
ET
HR
SL
SK
BG
UK
TR

A elektromos láncfűrész tervezése során elsődleges szempont volt a biztonság, a teljesítmény és a megbízhatóság.

RENDELTETTÉSSZERŰ HASZNÁLAT

Az elektromos láncfűrész csak kültéren használható. Biztonsági okokból a terméket mindig kétkézes műveletekkel kell irányítani.

A termék a láncvezető vágáshossza által meghatározott átmérőjű ágak, törzsek, rönkök és tönkök vágására alkalmas. Kizárólag fa vágása készült. Csak felnőttek használhatják háztartási alkalmazásban, akik megfelelő képzésben részesültek a termék használata során felmerülő veszélyekről és megelőző intézkedésekről/lépésekről.

A terméket nem használhatják gyerekek, illetve megfelelő személyi védelmi eszközöket és ruházatot nem viselő személyek. A láncfűrész nem használható professzionális favágási célokra.

Semmilyen más célra ne használja.

▲ FIGYELMEZTETÉS

A termék használatakor a biztonsági szabályokat be kell tartani. A saját és mások biztonsága érdekében a termék használata előtt el kell olvasnia és teljesen meg kell értenie ezt az útmutatót. Részt kell vennie egy a láncfűrész használatával, megelőző műveletekkel, elsősegéllyel és karbantartással kapcsolatos professzionális biztonsági tanfolyamon. Tartsa meg a kézikönyvet, hátha a későbbiekben szüksége lehet rá.

▲ FIGYELMEZTETÉS

A láncfűrészek potenciálisan veszélyes gépek. A láncfűrészek használatával összefüggő balesetek sokszor végtagvesztést vagy halált okoznak. Nem csak maga a láncfűrész veszélyes. A leeső ágak, kidőló fák, guruló rönkök is ölhetnek. A beteg vagy rothadó tönkök további veszélyt jelentenek. Minden erejével a feladat biztonságos befejezésére kell összpontosítania. Bármilyen kétség esetén hagyja a munkát egy profi favágóra.

ÁLTALÁNOS BIZTONSÁGI FIGYELMEZTETÉSEK AZ ELEKTROMOS SZERSZÁMGÉPRE VONATKOZÓAN

▲ FIGYELMEZTETÉS

Olvassa el az összes biztonsági figyelmeztetést és útmutatót. A figyelmeztetések és utasítások be nem tartása elektromos áramütést, tüzet és/vagy súlyos sérülést eredményezhet.

Őrizze meg ezeket a figyelmeztetéseket és utasításokat a későbbi tájékozódásra is.

A figyelmeztetésekben a „szerszámgép” kifejezés az elektromos hálózatról (kábelrel) működtetett vagy akkumulátorról (kábel nélkül) működtetett gépet jelenti.

MUNKATERÜLET

- **A munkaterületet tartsa tisztán és jól megvilágítva.** A rendetlen vagy sötét munkaterületek balesetekhez vezethetnek.
- **Az elektromos szerszámgépeket ne működtesse robbanásveszélyes környezetben, mint például robbanásveszélyes folyadékok, gázok vagy porok jelenlétében.** Az elektromos gépekben szikrák keletkeznek, amik begyújthatják a port vagy a gőzöket.
- **Az elektromos szerszámgép használatakor a gyerekeket és a kívülállókat tartsa távol.** A figyelem elterelődése az irányítás elvesztését okozhatja.

ELEKTROMOS BIZTONSÁG

- **A szerszámgép dugaszának illeszkednie kell az aljzathoz. Semmilyen módon ne módosítsa a dugaszt. A földelt elektromos gépekhez ne használjon adapter dugaszt.** A nem módosított és illeszkedő dugasz csökkenti az áramütés kockázatát.
- **Kerülje az érintkezést földelt felületekkel, mint például csövekkel, radiátorokkal és hűtőkkel.** Megnöveli az áramütés kockázatát, ha a teste földeltté válik.
- **Ne tegye ki a terméket esőnek vagy nedves környezet hatásának.** A szerszámgépekbe kerülő víz növeli az áramütés kockázatát.
- **Ne rongálja meg a kábelt. A szerszámgép kábeltét soha ne használja a szerszám hordozására, húzására vagy kihúzására. A kábelt hőtől, olajtól, éles tárgyaktól vagy mozgó alkatrészekről tartsa távol.** A sérült vagy beakadt kábelek növelik az áramütés kockázatát.
- **Szerszámgépeknek a szabadban való működtetésekor kültéri használatra is megfelelő hosszabbító kábelt használjon.** Kültéri használatra megfelelő hosszabbító kábel csökkenti az áramütés kockázatát.
- **Ha a szerszámgép használata nedves környezetben elkerülhetetlen, használjon áram-védőkacslót (RCD). Az RCD használata csökkenti az áramütés kockázatát.**

SZEMÉLYI BIZTONSÁG

- **Elektromos szerszámgép működtetésekor legyen mindig éber, figyeljen arra, amit csinál, és használja a józan esztét. Ne használja a szerszámgépet, ha fáradt vagy alkohol, gyógyszer illetve más tudatmódosító szerek hatása alatt áll.** A gép használata közben már egyetlen figyelmen kívül hagyás is súlyos személyi sérüléshez vezethet.
- **Használjon személyi védelmi eszközöket. Mindig viseljen védőszemüveget.** Az adott feltételekhez használt védőfelszerelés, például porvédő maszk, csúszásmentes biztonsági cipő, védősisak vagy hallásvédő, csökkenti a személyi sérüléseket.
- **Kerülje el a véletlen bekapcsolást. A szerszám szállítása vagy felemelése, az áramlás és/vagy akkumulátor csatlakoztatása előtt ellenőrizze, hogy a kapcsoló kikapcsolt állásban van.** Szerszámgépek szállítása a kapcsolón tartott ujjal vagy bekapcsolt szerszámgépek áram alá helyezése balesetekhez vezet.



- **A szerszámgépről bekapcsolás előtt távolítson el minden beállító kulcsot és csavarkulcsot.** Egy a szerszámgép forgó alkatrészén maradt beállító kulcs vagy csavarkulcs személyi sérülést eredményezhet.
- **Ne hajtson ki túlságosan. Mindig tartson megfelelő testtartást és egyensúlyt.** Ez a szerszámgép jobb irányítását teszi lehetővé váratlan szituációkban.
- **Viseljen megfelelő ruházatot. Ne vegyen fel laza ruhát vagy ékszereket. A haját, a ruháit és a kesztyűjét tartsa távol a forgó alkatrészekről.** A laza ruházat, ékszerek vagy a hosszú haj beakadhatnak a mozgó alkatrészekbe.
- **Ha a gép el van látva porkivezető vagy -gyűjtő berendezésekhez való csatlakozási lehetőséggel, akkor ügyeljen rá, hogy ezeket csatlakoztassák és megfelelően használják.** A porfogó használata csökkentheti a porral kapcsolatos veszélyeket.

A SZERSZÁMGÉP HASZNÁLATA ÉS KARBANTARTÁSA

- **Ne erőltesse a termékét. A feladathoz a megfelelő szerszámgépet használja.** A megfelelő szerszámgép jobb teljesítménnyel és sokkal biztonságosabban fog dolgozni olyan körülmények között, amilyenekre azt tervezték.
- **Ne használja a szerszámgépet, ha a kapcsoló nem kapcsol be és ki.** Bármilyen szerszámgép veszélyes, amit a kapcsolóval nem lehet irányítani, ezért azt meg kell javítani.
- **Bármilyen beállítás, tartozékcsere elvégzése vagy a szerszámgép tárolása előtt húzza ki a szerszámgépet a hálózatból és/vagy vegye ki az akkumulátort a szerszámgépéből.** Az ilyen megelőző biztonsági óvintézkedések csökkentik a szerszámgép véletlen bekapcsolódásának kockázatát.
- **A használaton kívüli gépet gyerekek számára nem elérhető helyen tartsa, és ne hagyja, hogy a szerszámgépet vagy a kézikönyvet nem ismerő személyek használják a szerszámgépet.** Gyakorlatlan felhasználók kezében a szerszámgépek veszélyesek.
- **Tartsa megfelelő állapotban a szerszámgépeket. Ellenőrizze a mozgó alkatrészek akadását vagy helytelen beállítását, az alkatrészek törését és minden más körülményt, ami hatással lehet a szerszámgép működésére. Ha sérült, a szerszámgépet használat előtt meg kell javítani.** Sok balesetet a rosszul karbantartott szerszámgépek okoznak.
- **A vágószerszámok legyenek élesek és tiszták.** A megfelelően karbantartott, éles vágóélű vágószerszámok kevésbé akadnak be és könnyebben irányíthatók.
- **A szerszámgépet, a tartozékokat és a biteket stb. ezen utasításban leírtaknak megfelelően használja, figyelembe véve a munkakörülményeket és az elvégzendő feladatot.** A szerszámgép rendeltetésétől eltérő műveletekre való használata veszélyes helyzeteket eredményezhet.
- **A fogantyúkat és a fogófelületeket tartsa szárazon, tisztán, olajtól és kenőzsírtól mentesen.** A csúszós

fogantyúk és fogófelületek nem teszik lehetővé a gép kezelését és irányítását egy váratlan helyzetben.

KARBANTARTÁS

- **A szerszámgépet csak szakképzett szervizszakemberrel szervizeltesse, csak azonos cserealkatrészeket használva.** Ez biztosítja, hogy a szerszámgép használata továbbra is biztonságos legyen.

TOVÁBBI ÁLTALÁNOS BIZTONSÁGI FIGYELMEZTÉSEK

- Egyes régiókban olyan előírások érvényesek, amelyek korlátozzák a termék használatát. További információért forduljon a helyi önkormányzatához.
- Ne hagyja, hogy gyerekek vagy a termék használatát nem ismerő felnőttek használják a terméket. A helyi előírások korlátozhatják a kezelő életkorát.
- Minden használat előtt ellenőrizze, hogy az összes kezelőszerv és biztonsági eszköz megfelelően működik. Ne használja a gépet, ha a főkapcsoló nem állítja le a motort.
- A termék működtetése közben viseljen teljes szem- és hallásvédőt, erős és kemény kesztyűt, valamint fejdődöt. Poros műveletek végzésekor viseljen arcmaszkot.
- Ne vegyen fel laza ruhát, rövidnadrágot, illetve semmilyen ékszert.
- Ha hosszú a haja, azt a vállvonal felett rögzítse, nehogy beakadjon valamilyen mozgó alkatrészbe.
- Figyeljen a kivetett, repülő vagy leeső tárgyra. A munkaterületől legalább 15 méterre távolítsa el a
- Ne használja a gépet gyenge megvilágítás esetén. A kezelőnek tiszta rálátással kell rendelkeznie a munkaterületre, hogy azonosíthassa a potenciális veszélyeket.
- Fülvédő viseletek csak korlátozottan hallja a figyelmeztetéseket (riasztást vagy kiáltást). A kezelőnek jobban oda kell figyelnie arra, hogy mi folyik a munkaterületen.
- Hasonló gépek egymás közelében történő használata növeli a halláskárosodás veszélyét, valamint annak veszélyét, hogy más személyek lépnek be az Ön munkaterületére.
- Stabilan álljon és vegyen fel megfelelő egyensúlyt. Ne hajtson ki túlságosan. A túlzott kinyúlás egyensúlyvesztést eredményezhet és növelheti a visszarúgás kockázatát.
- A testrészeit tartsa távol a mozgó alkatrészekről.
- Minden használat előtt vizsgálja át a gépet. Ellenőrizze az összes kezelőszerv megfelelő működését, beleértve a láncfékét is. Keressen meglazult kötőelemeket, ügyeljen rá, hogy minden a védőburkolat és fogantyú megfelelően fel legyen szerelve és rögzítve. Használat előtt cserélje ki az összes sérült alkatrészt.
- Semmilyen módon ne módosítsa a gépet vagy használjon a gyártó által nem ajánlott alkatrészeket és tartozékokat.
- Egy tüske a feszültség ingadozását okozza, és az azonos áramkörbe kapcsolt más elektromos termékek

| |
|-----------|
| EN |
| FR |
| DE |
| ES |
| IT |
| NL |
| PT |
| DA |
| SV |
| FI |
| NO |
| RU |
| PL |
| CS |
| HU |
| RO |
| LV |
| LT |
| ET |
| HR |
| SL |
| SK |
| BG |
| UK |
| TR |



működésére is hatással lehet. A terméket egy 0.33 Ω vagy kisebb impedanciával rendelkező elektromos hálózati aljzatba csatlakoztassa, hogy minimalizálja a feszültségingadozásokat. További információkért forduljon az áramszolgáltatóhoz.

▲ FIGYELMEZTETÉS

Ha a gép leesett, erős ütést kapott vagy rendellenesen kezd vibrálni, azonnal állítsa le a gépet, és vizsgálja át sérülések tekintetében vagy azonosítsa a vibráció okát. Minden sérülést hivatalos szervizközpontban kell megjavítani vagy kicseréltetni.

- A készüléket egy 30 mA-nél nem nagyobb kioldóáramú áram-védőkapcsolóval (RCD) kell felszerelni.
- Ha hosszabbító kábelt kell használnia, ügyeljen arra, hogy az kültéri használatra alkalmas és a termék meghajtásához elégséges teljesítményű legyen. Sérülés tekintetében minden használat előtt vizsgálja meg. Használatkor mindig tekerje szét, mert a feltekert kábelek túlhevülhetnek. A sérült hosszabbító kábeleket tilos megjavítani, azokat azonos típusúra kell kicserélni.
- Ha a hálózati csatlakozókábel megsérült, a használat előtt ki kell cserélni.
- Ügyeljen rá, hogy a tápkábel úgy legyen elvezetve, hogy azt ne vágják el a vágószerszámok, arra ne lépjenek rá, ne botoljanak el benne, és más módon se károsítsák vagy feszítsék meg.
- Ne fogja meg és ne szállítsa a terméket az elektromos kábelnél fogva.
- A hálózatról való leválasztásakor soha ne a tápkábelt húzza.
- Hőtől, olajtól és éles szélektől tartsa távol a tápkábelt.
- Minden használat előtt sérülés tekintetében vizsgálja át a tápkábelt. Ha sérülés jelei látszanak, a veszély elkerülése érdekében egy képzett szakemberrel vagy hivatalos szervizközpontban kell kicseréltetni.

LÁNCFŰRÉSZRE VONATKOZÓ BIZTONSÁGI FIGYELMEZTETÉSEK

- **A készülék működtetésekor minden testrészét tartsa távol a fűrészlánctól. A láncfűrész beindítása előtt ellenőrizze, hogy a fűrészlánc nem érintkezik semmivel.** Egy figyelmen kívül hagyással a láncfűrész használata közben a ruházata vagy a teste fűrészláncba való beakadását okozhatja.
- **A láncfűrész mindig jobb kézzel a hátsó fogantyút, bal kézzel pedig az elülső fogantyút fogva tartsa.** A láncfűrész fordított kéz-konfigurációban való tartása növeli a személyi sérülés kockázatát, így használata tilos.
- **A szerszámot csak a szigetelt fogófelületnél tartsa meg, mert a fűrészlánc rejtett vezetékéhez vagy a saját vezetékéhez is hozzáérhet.** A fűrészlánc „élő” vezetékkel való érintkezése következtében a szerszám fém alkatrészei áram alá kerülhetnek, minek következtében a kezelőt áramütés érheti.
- **Viseljen védőszemüveget és fülvédőt. További fej, kéz, láb és lábfej védőfelszerelés viselete is**

ajánlott. A megfelelő védőruházat csökkenti a kirepülő hulladékok okozta személyi sérülés és a fűrészláncból való véletlen érintkezés kockázatát.

- **Ne használja a láncfűrész fára felmászva.** A láncfűrész használata fára felmászva személyi sérülést eredményezhet.
- **Mindig megfelelően támassza meg magát, és csak rögzített, szilárd és sima felületen állva használja a láncfűrész.** Csúszós vagy nem stabil felületek, például a létrák az egyensúlyt vagy a láncfűrész irányításának elvesztését okozhatják.
- **Feszülő ág vágásakor figyeljen a visszarugózásra.** Ha a fa feszülő rostjai felszabadulnak, a visszarugózó ág eltalálhatja a kezelőt és/vagy megdobhatja a láncfűrész.
- **Különlegesen figyelemmel járjon el a kisebb bozót és facsometék vágásakor.** A kisméretű darabok beakadhatnak a fűrészláncba és kivethetnek a kezelő felé, vagy kilendíthetik az egyensúlyából.
- **A láncfűrész kikapcsolt állapotban és a testétől távol tartva, az elülső fogantyúnál fogva szállítsa. A láncfűrész szállításakor vagy tároláskor mindig helyezze fel a láncvezető védőburkolatát.** A láncfűrész megfelelő kezelése csökkenti a mozgó fűrészláncból való véletlen érintkezés kockázatát.
- **Tartsa be a kenésre, a láncfeszességre és a tartozékcsere vonatkozó utasításokat.** A hibásan megfeszített vagy megkettőzött lánc elszakadhat, és növeli a visszarugás esélyét is.
- **A fogantyúkat tartsa szárazon, tisztán, olajtól és kenőzsírtól mentesen.** A kenőzsíros és olajos fogantyúk csúszósak, és növelik az irányítás elvesztésének kockázatát.
- **Csak fát vágjon. Ne használja másra a láncfűrész, mint amire szánták. Például ne használja a láncfűrész műanyag, kőfal vagy nem fából készült építési anyagok vágására.** A láncfűrész rendeltetéstől eltérő műveletekre való használata veszélyes helyzeteket eredményezhet.

A visszarugás okai és a kezelő megóvása:

A szerszám megugorhat, ha a működő gép orr-része valamelyre hozzáér, vagy ha a vágás során a láncvezető becsipődik a fába és megszorul.

A hegy érintkezése a munkadarabbal bizonyos esetekben egy hirtelen visszaható reakciót okozhat, ami a láncvezetőt felfelé és a kezelő irányába dobja.

A fűrészlánc beszorulása a láncvezető felső részénél a láncvezetőt hirtelen a kezelő felé dobhatja.

Minden ilyen esetben elveszítheti uralmát a láncfűrész felett, és súlyosan megsérülhet. A biztonság tekintetében ne bizzon kizárólag a láncfűrész védőelemeiben. Különböző óvintézkedéseket is kell tenni annak érdekében, hogy csökkentse a balesetek és sérülések veszélyét.

A visszarugás a szerszám helytelen használatának és/vagy a nem megfelelő használati eljárások vagy körülmények eredménye, és megelőzhető a lent megadott utasítások betartásával:

- **Erős fogást tartson, a hüvelykujja és az ujjai öleljék körbe a láncfűrész fogantyút, mindkét**



keze a fűrészben legyen, és úgy helyezze a testét és a karjait, hogy lehetővé tegyék a visszarúgás erejének kivédését. A visszarúgási erőket a kezelő kontrollálhatja, ha betartja a megfelelő óvintézkedéseket. Ne hagyja, hogy a láncfűrész elszabaduljon.

- **Ne hajoljon ki túlságosan, és ne vágjon vállmagaság felett.** Ezek segítenek megelőzni a hegy véletlen érintkezését és váratlan szituációkban a láncfűrész jobb irányíthatóságát teszik lehetővé.
- **Csak a gyártó által megadott csere láncvezetőt és láncot használjon.** Nem megfelelő csere láncvezető és láncok lánctörést és/vagy visszarúgást okozhatnak.
- **Tartsa be a gyártó utasításait a lánc élését és karbantartását illetően.** A mélységbeállító magasságának csökkentése a visszarúgás veszélyének megnövekedését okozhatja.

A LÁNCFŰRÉSZRE VONATKOZÓ TOVÁBBI BIZTONSÁGI FIGYELMEZTETÉSEK

- Javasolt, hogy a termék első használatakor a rönköket bakon vagy bölcson vágja.
- Ügyeljen rá, hogy az összes védőburkolat, fogantyú és tuskés ütköző megfelelően felszerelt és jó állapotú legyen.
- A terméket használó személyeknek jó egészségi állapotban kell lenniük. A készülék nehéz, ezért a kezelőnek fizikailag jó kondícióban kell lennie. A kezelőnek ébernek, jó látással, reflexekkel, egyensúlyérzékkel és kézügyességgel kell rendelkeznie. Ha bármilyen gondja van, ne működtesse a terméket.
- Ne kezdje meg a termék használatát, amíg meg nem tisztította a munkaterületet, nem vett fel stabil testtartást és nincs meg a tervezett menekülési útvonal a fa dőlése esetére.
- Figyeljen a kenőanyagpára és a fűrészpor kibocsátásra. Ha szükséges, viseljen maszkot vagy álarcot.
- Ha a tápvezeték megsérül, csakis engedélyvel rendelkező szervizben javíttassa.
- A tápkábel mindig legyen megfelelően elvezetve, távol a vágási területtől. Az áram alatt levő kábel átvágása mellett a rosszul elvezetett kábel miatt elesés vagy felborulás következhet be.
- Ne vágjon szőlőtőkét és/vagy kisméretű bozótot (75 mm-nél kisebb átmérőjűt).
- Működés során mindig két kézzel tartsa a láncfűrész. Tartsa a láncfűrész erősen, úgy hogy az ujjai öleljék körül a fogantyúkat. Jobb kézzel a hátsó fogantyút, bal kézzel pedig az elülső fogantyút fogja.
- A termék elindítása előtt győződjön meg róla, hogy ne érjen hozzá semmilyen tárgyhoz.
- Semmilyen módon ne módosítsa a fűrész, és ne használja fel olyan tartozékok vagy eszközök energiaellátására, amit a termék gyártója nem javasol.
- A kezelő közelében lennie kell egy elsősegélydoboznak, amelynek nagyméretű kötszert és a figyelemfelhívó eszközt (pl. síp) kell tartalmaznia. Egy nagyobb, átfogóbb készletnek kell a közelben lennie.
- A termék használatakor mindig viseljen sisakot. Egy

hálós ellenzővel felszerelt sisak segít csökkenteni az arc és a fej sérülési kockázatát, ha visszarúgás történik.

- Egy nem megfelelően megfeszített lánc leugorhat a láncvezetőről, és súlyos sérülést vagy halált okozhat. A lánc hossza függ a hőmérséklettől. Rendszeresen ellenőrizze a feszességet.
- Egy biztonságosan rögzített fadarabon végzett egyszerű vágásokkal szokja meg az új láncfűrész használatát. Bármikor megetheti ezt, ha egy ideje nem használta a fűrész.
- A mozgó alkatrészek megérintéséből eredő balesetveszély csökkentésére minden esetben állítsa le a motort, használja a láncféket, és húzza ki a csatlakozót a konnektorból. Ellenőrizze, hogy minden mozgó rész teljesen megállt:
 - mielőtt magára hagyná a terméket
 - tisztítás vagy eltömődés megszüntetése előtt
 - mielőtt felszerelné vagy eltávolítaná a tartozékokat
 - ellenőrzés, karbantartás vagy a gépen végzett bármilyen művelet megkezdése előtt
- A munkaterület mérete függ a végrehajtandó munkától, és a fa méretétől, vagy a munkadarab nagyságától. Például, egy fa kidöntéséhez nagyobb terület kell, mint másfajta vágásokhoz, pl. keresztvágásokhoz stb. A kezelőnek ébernek kell lennie, és oda kell figyelnie mindenre a munkaterületen.
- Ne vágjon úgy, hogy a teste egy vonalba kerül a láncvezetővel és a láncsal. Ha visszarúgást észlel, ezzel elkerülheti, hogy a lánc érintkezzen a fejével vagy az arcával.
- Ne használjon oda-vissza fűrészelő mozdulatot, hagyja, hogy a lánc végezze a dolgát, tartsa élesen a láncot, és ne próbálja áttolni a láncot a vágáson.
- Ne fejtse ki nyomóerőt a láncfűrészre a vágás végén. Legyen készen, hogy átvegye a fűrész súlyát, amint az kiszabadul a vágásból. Ha nem így tesz, súlyos személyi sérülés lehet az eredmény.
- Ne állítsa le a fűrész a vágási művelet közepén. Addig működtesse a fűrész, amíg ki nem veszi a vágásból.

Személyi védelmi eszközök

A szakemberek által is használt jó minőségű személyi védelmi eszközök segítenek csökkenteni a kezelő sérülésének kockázatát. A következő eszközöket kell használni a láncfűrész használatakor:

Védősisak

- meg kell felelnie az EN 397 szabványnak, és CE jelöléssel kell rendelkeznie

Fülvédő

- meg kell felelnie az EN 352-1 szabványnak, és CE jelöléssel kell rendelkeznie

Szem- és arcvédő

- CE jelöléssel kell rendelkeznie és meg kell felelnie az EN 166 (a védőszemüvegek esetében) vagy az EN 1731 (hálós arcvédő esetében) szabványnak

Kesztyűk

- meg kell felelnie az EN381-7 szabványnak, és CE jelöléssel kell rendelkeznie

Lábvédelem (vágásálló)

| |
|-----------|
| EN |
| FR |
| DE |
| ES |
| IT |
| NL |
| PT |
| DA |
| SV |
| FI |
| NO |
| RU |
| PL |
| CS |
| HU |
| RO |
| LT |
| LV |
| ET |
| HR |
| SL |
| SK |
| BG |
| UK |
| TR |



- meg kell felelnie az EN381-5 szabványnak és CE jelöléssel kell rendelkeznie, és teljes körű védelmet kell nyújtania.

Láncfűrész biztonsági lábbelil

- meg kell felelniük az EN ISO 20345:2004 szabványnak és láncfűrész ábrás jelöléssel kell rendelkeznie az EN 381-3 szabványnak való megfelelés igazolására. (Az alkalmi felhasználók használhatnak acél orrmerevítővel ellátott biztonsági lábbelit is lábszárvédőkkel, ami megfelel az EN 381-9 szabványnak, ha a talaj egyenletes és kicsi az aljnövényzetbe való felbukás vagy beakadás esélye)

Láncfűrész kabátok a felsőtest védelméhez

- meg kell felelnie az EN 381-11 szabványnak, és CE jelöléssel kell rendelkeznie

ALAPVETŐ FAKIVÁGÁSI, ÁGAZÁSI ÉS KERESZTVÁGÁSI TECHNIKÁK

A fára ható erők megértése

Ha megérti a fára ható irányított nyomást és feszültséget, csökkentheti a „becsípődéseket” vagy legalább felkészülhet ezekre a favágásokor. A fában lévő feszültség azt jelenti, hogy a rostokra egymást taszító erő hat, és ha belevág ebbe a területbe a „fűrészjárat” vagy a vágás a szétnyílás felé fog tendálni, ahogy a fűrész áthalad a vágáson. Ha a rönk egy bakon van megtámasztva és a vége támaszték nélkül lóg túl a bakon, a rönk felső része a túlnyúló rész súlyának a rostokra gyakorolt hatása miatt megfeszül. Hasonlóképpen a rönk alsó részére összenyomó erő hat, és a rostok össze fognak nyomódni. Ha ebbe a területbe vág bele, a bevágás a vágás során összezúzódás felé fog tendálni. Ez becsípheti a fűrészláncot.

Fakidöntés

Lásd: 273 - 274 oldal.

Amikor a rönkdarabolási és kivágási műveleteket egyszerre két vagy több személy végzi, akkor a kidöntési műveletet a rönkdarabolástól külön kell elvégezni, legalább kétszer olyan távolságra, mint a kivágandó fa magassága. A fákat nem szabad úgy kidönteni, hogy az más személyeket veszélyeztet, bármilyen elektromos vezetékkel találkozhat vagy bármilyen vagyoni kárt okozhat. Ha a fa érintkezett egy elektromos vezetékkel, akkor azonnal értesíteni kell az áramszolgáltatót.

Ha a talaj lejtős, a lejtő felső részén helyezkedjen el, mivel a kivágott fa legurulhat vagy lecsúszhat.

A vágás megkezdése előtt meg kell tervezni a menekülési útvonalat, és szükség esetén meg kell tisztítani. A menekülési útvonalnak hátrafelé és átlósan kell haladnia a várható dőlési vonalhoz képest.

A fakidöntés megkezdése előtt határozza meg a fa természetes dőlését, a nagybővű ágak helyzetét és a szélirányt, hogy eldöntse, merre fog dőlni a fa.

A fáról távolítsa el a koszt, köveket, laza kérget, szegeket, ácskapcsokat és vezetékeket.

Ne próbáljon meg korhadat, illetve a szél, a tűz, a villámlás miatt megsérült fákat kivágni. Ez ugyanis nagyon veszélyes, és csak profi favágók végezhetik.

- Bevágó alávigágás

Lásd: 273 - 274 oldal.

A hornyot állítsa a fa 1/3 átmérőjére, amely merőleges az esés irányára. Először az alsó vízszintes vágást készítse el. Ez segít elkerülni a lánc vagy a láncvezető becsípődését a második vágás készítésekor.

■ Visszavágás döntéskor

Lásd: 273 - 274 oldal.

A döntési visszavágást legalább 50 mm-rel (2 in.) magasabban készítse a bevágás vízszintes vágásánál. A döntési visszavágást párhuzamosan végezze a bevágás vízszintes vágásával. Úgy készítse a döntési visszavágást, hogy elég fa maradjon a csuklóhoz. A csukló akadályozza meg a fa rossz irányba csavarodását vagy dőlését. Ne vágja át a csuklót.

Amint a döntő vágás közel kerül a csuklóhoz, a fának el kell kezdenie dőlni. Ha bármi esély van arra, hogy a fa nem a kívánt irányba dől vagy visszalendül és beszorítja a láncfűrész, akkor döntési visszavágás befejezése előtt állítsa le a vágást, és fa-, műanyag- vagy alumínium ékekkel biztosítsa a vágat nyitva tartását és a fa kívánt irányba való dőlését.

A fa dőlésének kezdetekor vegye ki a láncfűrész a vágásból, állítsa le a motort, tegye le a láncfűrész és használja a megtervezett menekülési útvonalat. Figyeljen a feje feletti ágak zuhanására és nézzen a lába elé.

A támasztógyökerek elvágása

Lásd 274. oldal.

A támasztógyökér a fa egy vastag gyökere, mely a fatörzsből a talajig hatol. Vágja át ezeket a vastag gyökereket, mielőtt kivágja a fát. Előbb vágjon vízszintesen, majd függőlegesen a támasztógyökérbe. Az így levágott darabot távolítsa el a munkaterületről. A fa kivágását a támasztógyökerek eltávolítása után kezdje meg.

Lökő- és húzóerő

A reakcióerő mindig a fűrészlánc forgási irányával ellentétes irányban hat. A kezelőnek készen kell állnia, hogy irányítsa a terméket, ha az elhúz (előre való mozgás) a rúd alsó sarkának vágásakor. Az ilyen mozgás elkerülésére mindig akassza be erősen az ütközőtüskét. Amikor a felső él mentén vág a termék hátrafelé tolhat (a kezelő irányába). Ennek elkerülésére biztosítsa, hogy a felső él mentén való vágásakor a lánc ne ragadjon be.

A fűrész beakadt a vágásba

Állítsa le a láncfűrész, és tegye biztonságossá. Ne próbálja kieröltetni a láncot és a vezetőt a vágásból, mert elszakíthatja a láncot, ami hátracsap és megsérti a kezelőt. Ez a helyzet általában akkor fordul elő, ha a fa nem megfelelően van megtámasztva és a nyomóerő összezárja a vágást, ezáltal összezúpicpa a láncot. Ha a megtámasztás megváltoztatása nem szabadítja ki a láncvezetőt és a láncot, fa ékek vagy egy emelő segítségével szabadítsa ki a fűrész. Ne próbálja meg beindítani a fűrész, ha a láncvezető még a vágásban vagy a bevágásban van.

Csúszás/elpattanás

Amikor a láncfűrész nem tud behatolni egy vágás során, a vezetőrúd elugorhat a tuskó vagy ág felületéről, vagy



veszélyesen megcsúszhat azon, ami a láncfűrész feletti irányítás elvesztését eredményezheti. A csúszás vagy elpattanás megakadályozása érdekében mindig két kézzel tartsa a láncfűrész. Biztosítsa, hogy a fűrészlánc a vágáshoz létrehozzon egy bemélyedést.

A láncfűrészrel soha ne vágjon kis, rugalmas ágakat vagy bokrokat. Ezek mérete és rugalmassága miatt a láncfűrész visszapatlanhat vagy beakadhat, ami visszarúgást okozhat. Az ilyen típusú munkákra a legjobb szerszám a kézfűrész, az ágazó, a balta és más típusú kéziszerszámok.

Rönk méretre vágása

Lásd 275. oldal.

A rönkvágás egy rönk darabokra vágása. Fontos, hogy stabilan álljon, és testsúlyát jól ossza el a két lábán. Ha lehetséges, akkor a rönköt ágak, rönkök vagy ékek segítségével fel kell emelni és meg kell támasztani. A könnyű vágás érdekében tartsa be az egyszerű utasításokat. Amikor a rönk teljes hosszában meg van támasztva, akkor felülről kell vágni (felülvágás).

Amikor a rönk csak az egyik végén van megtámasztva, alulról vágjon be az átmérő 1/3-ig (alulvágás). Majd felülvágással fejezze be a vágást úgy, hogy szembe megy az első vágással.

Amikor a rönk mindkét végén meg van támasztva, felülről vágjon be az átmérő 1/3-ig (felülvágás). Majd alulvágással fejezze be a vágást a rönk maradék 2/3-án úgy, hogy szembe megy az első vágással.

Lejtőn való rönkdaraboláskor mindig a rönk felső oldalához álljon. Átvágáskor a teljes irányítás megtartásához ne nyomja a fűrész a vágás végén, de ne engedje el a láncfűrész fogantyúit. Ne hagyja a talajjal érintkezni a láncot. A vágás befejezése után a láncfűrész mozgatása előtt várja meg a fűrészlánc megállását. Egyik fától a másikhoz való továbblépéskor mindig állítsa le a motort.

Fa ágazása

Lásd 276. oldal.

Az ágazás az ágak eltávolítását jelenti egy kidöntött fáról. Ágazáskor hagyja rajta a nagyobb alsó ágakat a rönkön, hogy megtámasszák azt. Egy vágással távolítsa el az összes kisebb gallyat. A feszültség alatt lévő ágakat alulról felfelé kell vágni, elkerülve ezzel a láncfűrész beakadását.

Ágrészek

Lásd 276. oldal.

Előfordulhat, hogy egy ág, egy kidőlt fa törzse vagy egy törpefa beszorul egy másik fa alá oly módon, hogy hirtelen felcsapódik, amint a ránehezedő fát fűrészelni vagy elmozdítani kezdjük.

Könnyen előfordulhat, hogy az élő fán lévő kivágott fa törzse elengedi magát és felcsapódik függőleges pozícióba, miközben megpróbáljuk lefűrészelni a rönkről. Vigyázzon ezekkel a beszorult fákkal, mert veszélyesek. Ne próbáljon feszültség alatt álló hajlított ágakat vagy tönköket vágni, hacsak nem professzionálisan képzett és hozzáértő favágó.

▲ FIGYELMEZTETÉS

A beszorult fák veszélyesek, mert megüthetik önt, és így elveszítheti uralmát a láncfűrész felett. Ami súlyos vagy akár halálos sérüléseket is okozhat. Ezt a műveletet csak gyakorlott felhasználók végezhetik.

SZÁLLÍTÁS ÉS TÁROLÁS

Lásd: 281 - 284 oldal.

- Állítsa le és feszültségmentesítse a terméket. Várja meg, amíg lehül a termék, mielőtt a tárolóban elhelyezné, vagy egy járműben szállítaná.
- Minden idegen anyagtól tisztítsa meg a terméket. Hűvös, száraz és jól szellőztetett, gyerekektől elzárt helyiségben tárolja. Ne tárolja olyan oxidálószeres közelében, mint pl. kerti munkáknál használatos vegyszerek vagy jégmentesítő sók. Ne tárolja a szabadban.
- A gép eltávolítása előtt és szállítás során helyezze fel a láncvezető védőburkolatát.
- Szállításkor rögzítse a terméket elmozdulás és leesés ellen, hogy elkerülje a sérüléseket és a termék sérülését.

KARBANTARTÁS

A gépet mindig tartsa jó üzemi állapotban.

▲ FIGYELMEZTETÉS

Csak a gyártó eredeti cserealkatrészeit, tartozékait és szereléseit használja. Ennek figyelmen kívül hagyása gyenge motorteljesítményt, esetleges sérülést és a jótállás elvesztését okozhatja.

▲ FIGYELMEZTETÉS

szervizelés különös figyelmet és hozzáértést igényel, és csak szakképzett szerelő végezheti el. A terméket csak engedéllyel rendelkező szervizben javíttassa. Szervizeléskor csak eredeti, gyártó által előállított cserealkatrészeket használjon.

▲ FIGYELMEZTETÉS

A terméket a tisztítása, beállításai vagy karbantartási munkálatai előtt válassza le a tápellátásról. Ennek elmulasztása súlyos személyi sérülést eredményezhet.

- Ön csak a használati útmutatóban leírt beállításokat és javításokat végezheti el. Egyéb javítás tekintetében a terméket csak engedéllyel rendelkező szervizben javíttassa.
- A nem megfelelő karbantartás, a biztonsági funkciók – például a láncfék, kézvédő (első és hátsó), tuskés ütköző, lánczáró, vezetőrúd – eltávolítása vagy módosítása, a láncfűrész kis visszaütése a biztonsági funkciók nem megfelelő működését okozhatják, és növelik a súlyos sérülés lehetőségét. Mindig gondoskodjon a termék szakszerű karbantartásáról és tartsa biztonságban.

EN
FR
DE
ES
IT
NL
PT
DA
SV
FI
NO
RU
PL
CS
HU
RO
LV
LT
ET
HR
SL
SK
BG
UK
TR



- A lánc biztonságos élezéséhez megfelelő gyakorlat szükséges. Ezért a gyártó határozottan azt ajánlja, hogy a kopott vagy tompa láncot cserélje újra, amely a hivatalos szervizközpontban érhető el. Az alkatrészsám a kézikönyvnek a termék műszaki adatait ismertető részében található meg.
- Tartsa be a kenésre, és a láncfeszesség ellenőrzésre és a beállításra vonatkozó utasításokat.
- Minden egyes használat után egy puha, száraz ruhával tisztítsa meg a terméket.
- Gyakori időközönként ellenőrizze a csavaranyák, csavarok és fejescsavarok megfelelő meghúzását, hogy a gép biztonságos üzemi állapotban legyen. A sérült alkatrészeket egy hivatalos szervizközpontban kell megjavíttatni vagy kicseréltetni.

FENNMARADÓ KOCKÁZAT

Még a termék rendeltetészerű használata esetén sem lehet teljesen kiközöbölni minden kockázati tényezőt. A gép használata során a következő veszélyek merülhetnek fel, és a kezelőnek különösen oda kell figyelnie az alábbiak elkerülésére:

- A vibráció sérüléseket okozhat
 - A munkához mindig a megfelelő szerszámot használja. Használja a kijelölt fogantyúkat. Korlátozza a munkaidőt és az expozíciót.
- A zajnak való kitétség halláskárosodást okozhat.
 - Viseljen hallásvédőt és korlátozza a zajnak való kitétséget
- A fűrészlánc fogazatával való érintkezés (vágásveszély)
- A láncvezető előre nem látható, hirtelen mozgása vagy visszarúgása (vágásveszély).
- Alkatrészek kiesése a fűrészláncból (vágás-/sérülésveszély)
- A fadarabból kidobott részek (faforgács, szilánkok).
- Fűrészpor és részecskék belélegzése.
- A bőr érintkezése olajjal.

KOCKÁZATCSÖKKENTÉS

Arról számoltak be, hogy a kéziszerszámok használata során fellépő vibráció bizonyos személyeknél hozzájárulhat az úgynevezett Raynaud-szindróma (Raynaud's Syndrome) nevű állapot kialakulásához. A tünetei lehetnek: az ujjak zsibbadása, elfehéredése, szúrások érzése, amelyek hidegnek kitéve gyakran felerősödnek. Az örökítő tényezők, a hidegnek kitétség és verejtékezés, a diéta, a dohányzás és munka közben alkalmazott fogások valószínűleg mind hozzájárulhatnak ezen tünetek megjelenéséhez. A vibráció hatásainak csökkentése érdekében a kezelőnek be kell tartani az alábbi óvintézkedéseket:

- Hideg időben tartsa melegen a testét. A gép használatakor viseljen kesztyűt a kéz és a csukló melegen tartásához. Arról számoltak be, hogy a hideg időjárásnak fontos szerepe van a Raynaud-szindróma kialakulásában.
- Bizonyos időtartamú használat után mindig végezzen gyakorlatokat a vérkeringés javításához.

- Gyakran tartson munkaszünetet. Korlátozza a napi munkaidőt.
- Profi láncfűrész-kereskedőtől beszerezhető olyan védőkesztyűk, amelyek kizárólag a láncfűrész használatához lettek kialakítva, védelmet és jó fogást biztosítanak, és még a kéz vibráció hatását is csökkentik.

Ha ezen állapot bármelyik tünetét tapasztalja, azonnal hagyja abba a munkát, és tájékoztassa az orvosát a tünetekről.

▲ FIGYELMEZTETÉS

Hosszabb használat sérülést okozhat. Ha a gépet hosszú időn át kell használnia, tartson gyakran szünetet.

ISMERJE MEG A TERMÉKET

Lásd 267. oldal.

1. Fűrészlánc
2. Láncvezető
3. Elülső kézvédő/biztonsági láncfék
4. Elülső fogantyú
5. Ravasz kireteszelő gomb
6. Hátsó fogantyú
7. Ütközőtüske
8. Olajtartály sapka
9. Kábeltartó
10. Kapcsolókló
11. Fogaskerék fedele
12. Láncfeszesség / Láncvezető rögzítőgomb
13. Láncvezető védőburkolata
14. Lác visszacsapás gátló

BIZTONSÁGI ESZKÖZÖK

Nehezen megugró lánc

Az alacsony visszarúgású fűrészlánc segít csökkenteni a visszarúgás lehetőségét.

A fogak elején található mélységhatárolók megakadályozzák, hogy a fogak túl mélyre hatoljanak a fába, így csökkentik a megugrás erejét. Csak a gyártó által javasolt csere láncvezető és lánc kombinációt használjon. Kétszeres óvatossággal járjon el a láncfűrész élesítése után, mivel ez a művelet kevésbé ellenállóvá teszi a láncot a megugrással szemben. A biztonsága érdekében cserélje ki a fűrészláncot, amint a vágóteljesítmény csökken.

Ütközőtüske

A beépített ütközőtüske forgócsapként használható vágás készítése közben. Segít stabilan tartani láncfűrész testét a vágás során. Vágáskor nyomja előre a gépet, amíg a tuskék be nem mélyednek a fa szélébe, ezután a hátsó fogantyú felfelé vagy lefelé mozgásával a vágásvonal irányába segíthet enyhíteni a vágás fizikai terhelését.

Láncvezető

Általában a kis sugarú hegygel rendelkező láncvezető némileg csökkent a visszarúgás kockázatát. A munkához elegendően hosszú láncot és láncvezetőt kell használnia. A hosszabb láncvezető növeli az irányítás elvesztésének

kockázatát a vágás során. Rendszeresen ellenőrizze a lánc feszességét. Kisebb (a láncvezető teljes hosszánál rövidebb) ágak vágásakor a lánc nagyobb valószínűséggel dobódik le, ha nem megfelelő a feszessége.

Láncfék

A láncfék arra szolgál, hogy adott esetben gyorsan leállítsa a forgó láncot. A lánc azonnal leáll, amint a láncfék kart/kézvédőt előretolja. A láncfék nem arra szolgál, hogy kivédje a megugrást. Csak csökkenti a sérülésveszélyt, amikor a láncvezető érintkezik a kezelő testével egy visszarúgás során. A láncfék megfelelő működését futás és fék állásban is mindig, minden használat előtt tesztelni kell.

Lánc visszacsapás gátoló

Egy láncfogó akadályozza meg, hogy a fűrészlánc a meglazulása vagy eltérése esetén a kezelő felé repüljön.

ÖSSZESZERELÉS

▲ FIGYELMEZTETÉS

Ha bármilyen alkatrész megsérült vagy hiányzik, addig ne működtesse a terméket, amíg nem pótolta azokat. Ezen figyelmeztetés figyelmen kívül hagyása súlyos személyi sérülést eredményezhet.

A LÁNCVEZETŐ ÉS A FÜRÉSZLÁNC FELSZERELÉSE

Lásd: 268 - 269 oldal.

1. Húzza ki a tápkábel. Viseljen védőkesztyűt.
2. Csavarja ki a láncvezető rögzítőgombot, és távolítsa el a fogaskerék fedelét.
3. A fűrészláncnak a láncforgás irányába kell néznie. Ha az ellenkező irányban állnak, fordítsa ki a hurkot, amit csinált.
4. Helyezze a lánc meghajtó szemeket a láncvezető vajatba.
5. Helyezze a láncot olyan pozícióba, hogy hurkot formázzon a láncvezető mögött.
6. A láncvezetőn tartsa a helyén a láncot, és a hurkot tegye a hajtó fogaskerék köré. Engedje le a láncvezetőt, hogy a csavar átmenjen a szíjfejítő szerelvényen található furaton.
7. Cserélje ki a fogaskoszorú fedelét, majd húzza meg a láncfeszességet/vezetősín reteszelőgombját az óramutató járásával megegyező irányba forgatva, amíg be nem pattan. Rendszeresen ellenőrizze a lánc feszességét.

A lánc feszessége akkor megfelelő, ha a láncvezető és a lánc vágószeme közötti hézag 3 és 4 mm között van. Húzza el a láncot a láncvezető alsó részének közepénél lefelé (el a láncvezetőtől), és mérje meg a láncvezető és a lánc vágószemei közötti távolságot.

8. Húzza meg és zárja le a láncfeszességet/vezetősín reteszelőgombját az óramutató járásával megegyező irányba forgatva.

A LÁNCFESZESSÉG BEÁLLÍTÁSA

Lásd 279. oldal.

1. Feszültségmentesítse a terméket. Viseljen védőkesztyűt.
2. A láncfeszesség javításához teljesen lazítsa meg

a láncfeszességet/vezetősín reteszelőgombját, majd húzza meg a láncfeszességet/vezetősín reteszelőgombját az óramutató járásával megegyező irányba forgatva, amíg be nem pattan. Rendszeresen ellenőrizze a lánc feszességét.

A lánc feszessége akkor megfelelő, ha a láncvezető és a lánc vágószeme közötti hézag 3 és 4 mm között van. Húzza el a láncot a láncvezető alsó részének közepénél lefelé (el a láncvezetőtől), és mérje meg a láncvezető és a lánc vágószemei közötti távolságot.

3. Húzza meg és zárja le a láncfeszességet/vezetősín reteszelőgombját az óramutató járásával megegyező irányba forgatva.

MEGJEGYZÉS: Biztosítsa, hogy a sín és a láncfejítő szerelvény szabadon mozogjon piszok nélkül és a fűrészlánc megfelelően legyen a lánckerék köré helyezve. Ha a láncfeszesség túl szoros vagy túl laza a láncfeszesség/vezetősín reteszelőgombjának lezárása után, akkor ellenőrizze, hogy a vezetősín és a láncfejítő szerelvény tiszta és megfelelően van-e összeszerelve.

Szükség esetén tisztításnál távolítsa el a lánckerék fedelét és a vezetősínt, majd szerelje újra össze az alkatrészeket.

HASZNÁLAT

LÁNC KENŐOLAJ BETÖLTÉSE

Lásd 269. oldal.

▲ FIGYELMEZTETÉS

Ne dolgozzon lánc kenőanyag nélkül. Ha a fűrészlánc kenőanyag nélkül fut, a láncvezető és a fűrészlánc károsodhat. Fontos, hogy az olajsíntet gyakran, és a láncfűrész használata előtt ellenőrizze az olajsíntmérőben.

1. A szennyeződés megelőzése érdekében tisztítsa meg az olajtartály fedele körüli területet.
2. Csavarja ki és távolítsa el az olajtartály fedelét.
3. Öntse be az olajat az olajtartályba, és figyelje az olaj nivópalcát. Ügyeljen rá, hogy az olaj betöltése közben semmilyen szennyeződés ne kerüljön az olajtartályba.
4. Tegye vissza az olajtartály fedelét, és húzza be. A kilöttyent olajat törölje le.
5. Egy tartály olaj a fűrész 12 – 18 perces működéséhez elegendő.

A LÁNCFÜRÉSZ TARTÁSA

Lásd 269. oldal.

A láncfűrész mindig jobb kézzel a hátsó fogantyút, bal kézzel pedig az előlő fogantyút fogva tartsa. Mindkét kezével fogja a fogantyúkat, a hüvelykujj és az ujjak öleljk körül a fogantyút. Ügyeljen rá, hogy a bal keze úgy legyen az előlő fogantyún, hogy a hüvelykujja alul van.

▲ FIGYELMEZTETÉS

A tápkábel mindig legyen megfelelően elvezetve, távol a vágási területtől. Az áram alatt levő kábel átvágása mellett a rosszul elvezetett kábel miatt elesés vagy felborulás következhet be.

EN
FR
DE
ES
IT
NL
PT
DA
SV
FI
NO
RU
PL
CS
HU
RO
LV
LT
ET
HR
SL
SK
BG
UK
TR

A LÁNCFŰRÉSZ ELINDÍTÁSA

Lásd 269. oldal.

1. Csatlakoztassa a terméket az áramforráshoz. Ügyeljen rá, hogy a láncfék működési pozícióba állítsa a kar/kézvédő visszahúzásával.
2. A termék elindítása: Nyomja meg az indítóbillentyű kioldóját, majd nyomja meg az indítókapcsolót.

A LÁNCFÉK ELLENŐRZÉSE ÉS MŰKÖDTETÉSE

1. Húzza be a láncfékot úgy, hogy a bal kezét elfordítja az első fogantyú körül. A keze hátsó részével nyomja meg a láncfék kart/kézvédőt a láncvezető felé, miközben a lánc gyorsan forog. A lánc forgásának azonnal le kell állnia. Mindig tartsa mindkét kezét a fűrész fogantyúin.
2. Állítsa vissza Működési pozícióba a láncfékot úgy, hogy a láncfék kar/kézvédő tetejét az első fogantyú felé húzza addig, amíg egy kattánót hangot nem hall.

⚠ FIGYELMEZTETÉS

Ha a láncfék azonnal nem állítja le a láncot, vagy ha a láncfék nem marad a futási helyzetben segítség nélkül, vigye el a terméket hivatalos szakszervizbe megjavíttatni, mielőtt használná.

A VEZETŐSÍN ÉS A FŰRÉSZLÁNC CSERÉJE

Lásd: 277 - 278 oldal.

1. Feszültségmentesítse a terméket. Viseljen védőkesztyűt.
2. Oldja ki a láncfeszességet/vezetősín reteszelőgombját az óramutató járásával ellentétes irányba forgatva, amíg a lánckerék fedele meglazul.
3. Távolítsa el a fogaskerék fedelét. Távolítsa el a láncvezetőt és a fűrészlánctól a gépről.
4. Távolítsa el a csavart, amely a vezetősínt a láncfeszítő szerelvényhez rögzíti. A használt sínt és a fűrészlánctól megfelelően helyezze el.
5. A láncfeszítő szerkezetet szerelje fel az új rúdra, és húzza meg a csavart. Tegye fel az új láncot a láncvezetőre a megfelelő irányba, és győződjön meg róla, hogy a lánc hajtószemei illeszkednek a láncvezető vajatába.
6. Szerelje fel a láncvezetőt a láncfűrészre, és hurkolja át a láncot a meghajtó fogaskeréken. Tegye vissza a fogaskerék fedelét.
7. Húzza meg és zárja le a láncfeszességet/vezetősín reteszelőgombját az óramutató járásával megegyező irányba forgatva.

A lánc feszessége akkor megfelelő, ha a láncvezető és a lánc vágószeme közötti hézag 3 és 4 mm között van. Húzza el a láncot a láncvezető alsó részének közepénél lefelé (el a láncvezetőtől), és mérje meg a láncvezető és a lánc vágószemei közötti távolságot. Állítsa be a láncfeszességet. Lásd „A láncfeszesség beállítása” részt.

⚠ FIGYELMEZTETÉS

A lánc rossz élesítése növeli a megugrás veszélyét.

⚠ FIGYELMEZTETÉS

Ha a sérült láncot nem cseréli ki, vagy nem javíttatja meg, súlyos testi sérülésekkel járó balesetnek teszi ki magát.

⚠ FIGYELMEZTETÉS

A lánc nagyon éles. Hordjon mindig védőkesztyűt, amikor a karbantartást végzi.

A LÁNCFÉK ÁTVIZSGÁLÁSA ÉS TISZTÍTÁSA

Lásd 280. oldal.

- A láncfék mechanizmust mindig tartsa tisztán, a rudazatról mindig távolítsa el a szennyeződések.
- Tisztítás után mindig tesztelje a láncfék teljesítményét. További információért tekintse meg a kézikönyv „Működtetés – a láncfék ellenőrzése és használata” szakaszt.

KARBANTARTÁSI ÜTEMTERV

| Napi ellenőrzés | |
|-----------------------------|---|
| A csatlakozókábel épsége | Minden használat előtt |
| Láncvezető kenése | Minden használat előtt |
| Láncfeszesség | Minden használat előtt és rendszeresen |
| Lánc élessége | Minden használat előtt, vizuális ellenőrzés |
| Sérült alkatrészek | Minden használat előtt |
| Meglazult csavarok | Minden használat előtt |
| A láncfék működése | Minden használat előtt |
| Átvizsgálás és megtisztítás | |
| Láncvezető | Minden használat előtt |
| Teljes fűrész | Minden használat után |
| Láncfék | 5 üzemóránként* |

*Üzemóránként

SZIMBÓLUMOK A TERMÉKEN



Biztonsági figyelmeztetés



A sérülések kockázatának csökkentése érdekében a felhasználónak a termék használata előtt el kell olvasnia és meg kell értenie a kezelői kézikönyv tartalmát.



Viseljen szem-, fül- és fejdédőt.



A termék használata közben csúszásmentes biztonsági lábbelit viseljen.



Viseljen nem csúszós, nehéz igénybevételre tervezett kesztyűt.



Karbantartás előtt vagy sérülése, illetve átvágása esetén azonnal húzza ki a tápkábelét az elektromos hálózatról.



Figyeljen a láncfűrész visszarángására, és kerülje az érintkezést a láncvezető végével.



Ne tegye ki esőnek, és ne használja nedves környezetben.



A láncfűrész két kezével fogja és használja.



Ne használja a láncfűrész egy kézzel tartva.



Ez a szerszám minden, a vásárlás európai uniós országában hatályos szabványnak megfelel.



Eurázsiai megfelelési jelzés



Class II gép, kettős szigetelés



Ukrajnai megfelelési nyilatkozat



A kiselejtezett elektromos termékeket nem szabad a háztartási hulladékkal együtt kidobni. Ezeket újra kell hasznosítani, ha van rá lehetőség. Az újrahasznosítással kapcsolatban érdeklődjön a helyi önkormányzatnál vagy a termék forgalmazójánál.



A garantált hangteljesítményszint 104 dB (RCS1935B)



A garantált hangteljesítményszint 105 dB (RCS2340B)



Láncvezető és lánc kenőanyag



Láncfék

Forgassa el a vezetősín rögzítéséhez vagy feloldásához



Retes



Szétnyitás



A lánc mozgásiránya. (A fogaskerék fedele alatt van megjelölve)

A KÉZIKÖNYVBEN HASZNÁLT SZIMBÓLUMOK



Csatlakoztassa egy elektromos hálózati aljzathoz



Húzza ki az elektromos hálózati aljzatról



Külön értékesített alkatrészek és kiegészítők



Megjegyzés



Figyelem



Viseljen szem- és arcvédőt.



Viseljen felsőtestvédőt.



Viseljen lábvédőt.



Állítsa le a terméket.

A következő jelölőszavak és jelentések arra szolgálnak, hogy megmagyarázzák a termékkel kapcsolatos veszélyességi szinteket.

⚠ VESZÉLY

Egy bekövetkező veszélyes helyzetet jelez, ami, ha nem előzik meg, halált vagy komoly sérülést eredményez.

⚠ FIGYELMEZTETÉS

Egy potenciálisan bekövetkező veszélyes helyzetet jelez, amit, ha nem előznek meg, halált vagy komoly sérülést eredményezhet.

⚠ FIGYELEMFELHÍVÁS

Egy potenciálisan veszélyes helyzetet jelez, ami, ha nem előzik meg, kisebb vagy mérsékelt sérülést eredményezhet.

FIGYELEMFELHÍVÁS

Biztonsági figyelmeztető szimbólum nélkül

Egy olyan helyzetet jelez, ami anyagi kárt eredményezhet.

Siguranța, performanța și fiabilitatea au constituit principalele noastre preocupări la proiectarea fierăstrăului dvs.

UTILIZARE PREVĂZUTĂ

Fierăstrăul electric este destinat doar utilizării în exterior. Pentru motive de siguranță, acest produs trebuie să fie controlat adecvat prin folosirea tot timpul a operațiunilor cu ambele mâini.

Produsul este proiectat să taie crengi, trunchiuri, bușteni și grinzii de un diametru determinat de lungimea de tăiere a barei de ghidare. Este permisă numai tăierea lemnului. Se va folosi numai de către adulți care au fost instruiți cu privire la pericolele și măsurile de protecție care trebuie luate când se utilizează produsul.

Produsul nu trebuie folosit de copii sau persoane ce nu poartă echipamentul și hainele de protecție corespunzătoare. A nu se folosi pentru tăieri profesionale de copaci.

Nu folosiți în alte scopuri.

⚠️ AVERTISMENT

Atunci când utilizează produsul, normele de siguranță trebuie să fie respectate. Pentru siguranța dvs și a trecătorilor, trebuie să citiți și să înțelegeți pe deplin aceste instrucțiuni înainte de a opera produsul. Trebuie să urmați un curs profesional organizat de siguranță în folosirea, acțiunile preventive, de prim ajutor și întreținere a ferăstraielei cu lanț. Vă rugăm să păstrați instrucțiunile într-un loc sigur pentru utilizare ulterioară.

⚠️ AVERTISMENT

Ferăstraiele sunt scule potențial periculoase. Accidentele implicând folosirea ferăstraielei adesea rezultă în pierderea unui membru sau deces. Nu este doar ferăstrăul principalul pericol. Crengile în cădere, prăbușirea copacilor, buștenii în rostogolire toți pot provoca moartea. Lemnăria bolnavă sau putrezită reprezintă un pericol suplimentar. Trebuie să evaluați capacitatea dvs de a finaliza sarcină în siguranță. Dacă există orice îndoială, lăsați sarcina unui profesionist în chirurgie a copacilor.

AVERTISMENTE GENERAL DE SIGURANȚĂ PRIVIND UNEALTA ELECTRICĂ

⚠️ AVERTISMENT

Citiți toate avertismentele și instrucțiunile de siguranță. Nerespectarea acestor avertismente și instrucțiuni poate conduce la șocuri electrice, incendii și/ sau accidente grave.

Păstrați aceste avertismente și instrucțiuni, pentru a le putea consulta ulterior.

Termenul de "unealtă electrică" folosit în avertismente se referă la uneltele electrice alimentate de la rețea (cu cablu) sau cu acumulator (fără cablu).

MEDIUL DE LUCRU

- **Mențineți curată și bine iluminată zona de lucru.** Zonele dezordonate și întunecate prezintă pericol de accidente.
- **Nu operați cu uneltele electrice în atmosfere explozive, precum în prezența lichidelor, gazelor sau a prafului inflamabil(e).** Uneltele electrice creează scântei care pot aprinde praful sau vapori.
- **Țineți copiii și persoanele din jur la distanță în timpul operării unei unelte electrice.** Distragerea atenției vă poate face să pierdeți controlul.

SIGURANȚĂ ELECTRICĂ

- **Ștecărele uneltelor electrice trebuie să se potrivească cu priza. Nu modificați niciodată ștecărul în nici un fel. Nu folosiți niciodată adaptoare de ștecăr cu uneltele electrice cu împământare.** Ștecărele nemodificate și prizele potrivite reduc riscul de electrocutare.
- **Evitați contactul corpului cu suprafețele conectate la împământare, precum țevi, radiatoare, reșouri, mașini de gătit și frigider.** Există un risc crescut de electrocutare când corpul dumneavoastră are contact cu împământarea.
- **Nu expuneți produsul la ploaie sau condiții de umiditate.** Apa care intră într-o unealtă electrică va crește riscul de electrocutare.
- **Nu forțați cablul. Nu trageți niciodată uneltele electrice de cablul de alimentare pentru a o transporta, a o trage sau a scoate ștecărul din priză. Țineți cablul de alimentare departe de căldură, ulei, mυχii ascuțiți sau piese în mișcare.** Cablurile deteriorate sau încurcate cresc riscul de electrocutare.
- **Atunci când lucrați cu o unealtă electrică în aer liber, folosiți un prelungitor adecvat pentru utilizarea în aer liber.** Folosirea unui prelungitor adecvat pentru utilizarea în aer liber reduce riscul de electrocutare.
- **În cazul în care operarea unei unelte electrice într-o zonă umedă nu poate fi evitată, folosiți o alimentare protejată cu un dispozitiv de curent rezidual (RCD).** Utilizarea unui RCD reduce riscul de electrocutare.

SIGURANȚĂ PERSONALĂ

- **Fiți vigilenți, fiți atenți la ceea ce faceți, acționați cu simț practic când operați o unealtă electrică. Nu folosiți uneltele electrice în timp ce sunteți obosit sau sub influența drogurilor, a alcoolului sau a medicamentelor.** Un moment de neatenție în timpul operării uneltelor electrice poate cauza vătămare personală gravă.
- **Utilizați echipament personal de protecție. Purtați întotdeauna ochelari de protecție.** Utilizarea echipamentelor de protecție, cum ar fi măști pentru praf, pantofi anti-derapanți, cască de protecție sau protecții pentru auz, conform condițiilor specifice de lucru ajută la evitarea pericolelor de răniri personale.
- **Prevenirea pornirii neintenționate. Asigurați-vă că comutatorul este în poziția oprit înainte deconectarea la sursa de alimentare și / sau la acumulator, ridicarea sau transportul uneltei.**

Transportarea uneltelor electrice cu degetul pe comutator sau punerea sub tensiune a uneltelor electrice care au comutatorul în poziția pornit predisune la accidente.

- **Îndepărtați orice cheie de reglare înainte de a porni unealta.** O cheie sau rămasă atașată de o piesă rotativă a unelei electrice poate cauza vătămări corporale.
- **Nu vă aplecați excesiv.** În timpul operării dispozitivului, păstrați-vă în permanență echilibrul și stabilitatea. Acest lucru permite un mai bun control al unelei electrice în situații neașteptate.
- **Îmbrăcați-vă corespunzător.** Nu purtați haine largi sau bijuterii. Mențineți părul, hainele și mânușile departe de piesele în mișcare. Hainele largi, bijuteriile sau părul lung pot fi prinse de piesele aflate în mișcare.
- **Dacă sunt prevăzute dispozitive pentru conectarea facilităților de extracție și de colectare a prafului, asigurați-vă că acestea sunt conectate și folosite corect.** Utilizarea colectării prafului poate reduce riscurile legate de praf.

FOLOSIREA ȘI ÎNTREȚINEREA UNELEI ELECTRICE

- **Nu forțați produsul.** Folosiți **unealta electrică corectă pentru aplicație.** Unealta electrică corectă va funcționa mai bine și mai sigur la viteză pentru care a fost proiectată.
- **Nu folosiți unealta electrică dacă comutatorul nu o poate porni și opri.** Orice unealtă electrică, care nu poate fi controlată cu comutatorul este periculoasă și trebuie reparată.
- **Deconectați ștecărul de la sursa de alimentare și / sau acumulatorul de la unealta electrică înainte de a efectua orice reglaje, a schimba accesorii sau de a stoca uneltele electrice.** Astfel de măsuri preventive de siguranță reduc riscul de pornire accidentală a unelei electrice.
- **Nu lăsați uneltele electrice la îndemâna copiilor și nu permiteți persoanelor nefamiliarizate cu unealta electrică sau cu aceste instrucțiuni să folosească unealta.** Uneltele electrice sunt periculoase în mâinile utilizatorilor neinstruiți.
- **Întrețineți uneltele electrice.** Verificați alinierea sau lipirea pieselor în mișcare, spargerea pieselor, precum și orice altă stare care poate afecta funcționarea unelei electrice. Dacă este deteriorată, solicitați repararea unelei înainte de utilizare. Multe accidente sunt cauzate de uneltele electrice întreținute necorespunzător.
- **Păstrați uneltele de tăiere ascuțite și curate.** Uneltele de tăiere corect întreținute, cu muchii de tăiere ascuțite au o probabilitate mai redusă de lipire și sunt mai ușor de controlat.
- **Folosiți unealta electrică, accesoriile și burghiile etc. în conformitate cu aceste instrucțiuni, ținând cont de condițiile de lucru și de lucrarea care urmează să fie efectuată.** Utilizarea unelei electrice pentru alte operații decât cele preconizate poate duce la situații periculoase.
- **Țineți mânerul și suprafețele de apucare uscate, curate, fără ulei sau grăsimi.** Mănerul alunecoase și

suprafețele neregulate nu permit o manipulare sigură și un control al aparatului în situații neașteptate.

ÎNTREȚINERE

- **Solicitați efectuarea lucrărilor de service la unealta dvs. electrică numai de către o persoană calificată în reparații, folosind numai piese de schimb identice.** Acest lucru va garanta că siguranța unelei electrice este menținută.

AVERTIZĂRI GENERALE SUPLIMENTARE DE SIGURANȚĂ.

- Anumite regiuni au reglementări ce restricționează folosirea produsului. Pentru sfaturi întrebați autoritățile dvs. locale.
- Nu permiteți niciodată copiilor sau persoanelor care nu sunt familiarizate cu aceste instrucțiuni să utilizeze produsul. Reglementările locale pot restricționa vârsta operatorului.
- Asigurați-vă că înainte de fiecare folosire toate funcțiile de control și dispozitivele de siguranță funcționează corect. Nu folosiți scula electrică dacă întrerupătorul "oprit" nu oprește motorul.
- Atunci când utilizați produsul purtați dispozitive de protecție pentru ochi și urechi, bocanci și mănuși de lucru, precum și cască de protecție. Folosiți o mască de față dacă operațiunea implică și praf.
- Nu purtați haine largi, pantaloni scurți sau bijuterii de niciun fel.
- Prindeți părul lung deasupra umerilor pentru a preveni prinderea lui de părțile în mișcare.
- Fiți atent la obiectele aruncate, în zbor sau în cădere. Copii, animalele de companie și persoanele prezente neparticipante vor sta la cel puțin 15 m depărtare de zona de lucru.
- Nu utilizați în condiții de iluminare necorespunzătoare. Operatorul necesită o panoramă clară a zonei de lucru pentru identificarea potențialelor pericole.
- Utilizarea antifoaanelor reduce capacitatea de auzi avertisment (alarme sau strigăte). Operatorul trebuie să fie foarte atent la ceea ce se întâmplă în zona de lucru.
- Operarea de aparate similare în vecinătate crește atât riscul unei deteriorări a auzului cât și posibilitatea ca alte persoane să intre în zona dvs. de lucru.
- Mențineți sprijin ferm pe picioare și echilibru. Nu vă aplecați excesiv. Întinderea prea lungă poate rezulta în pierderea echilibrului și poate crește risc de recul.
- Țineți toate părțile corpului la distanță de orice piesă în mișcare.
- Inspectați aparatul înainte de fiecare folosire. Verificați ca toate comenzile să funcționeze corect inclusiv frâna lanțului. Verificați să nu existe cleme slăbite, asigurați-vă că toate apărătorile și mânerul sunt corespunzător și fix prinse. Înlocuiți toate piesele deteriorate înainte de utilizare.
- Nu modificați mașina în niciun fel sau să folosiți părți și accesorii ce nu sunt recomandate de către producător.
- O supratensiune cauzează fluctuații de tensiune și poate afecta alte produse electrice pe aceeași linie de

alimentare cu curent. Conectați produsul la sursa de curent cu o impedanță egală cu sau mai mică de 0.33 Ω pentru a minimaliza fluctuațiile de tensiune. Contactați furnizorul dvs. de electricitate pentru clarificări ulterioare.

A AVERTISMENT

Dacă produsul este scăpat, suferă un impact dur sau începe să vibreze anormal, opriți imediat produsul și inspectați dacă este deteriorat sau identificați cauza vibrației. Orice deteriorare trebuie reparată corespunzător sau înlocuită la un centru service autorizat.

- Energia electrică trebuie să fie furnizată printr-un dispozitiv pentru curent rezidual (RCD) cu un curent de declanșare de nu mai mult de 30 mA.
- Dacă trebuie să folosiți un cablu prelungitor, asigurați-vă că este potrivit pentru uzul exterior și are o capacitate suficientă de curent pentru a alimenta produsul Dvs. Verificați înainte de fiecare folosire să nu fie deteriorat. Destășurați întotdeauna cablul în timpul folosirii întrucât cablurile nedestășurate se pot supraîncălzi. Cablurile prelungitoare deteriorate nu trebuie reparate, ele trebuie înlocuite cu un model echivalent.
- În cazul în care cablul de alimentare este deteriorat, acesta trebuie înlocuit înainte de utilizare.
- Asigurați-vă că poziționarea cablului de alimentare este în așa fel încât nu poate fi deteriorat prin mijloace de tăiere și că nu se va călca peste el, nu vă împiedicați de el sau să nu-l supuneți stresului.
- Nu ridicați sau transportați produsul de cablul electric.
- Nu trageți niciodată de cablul de alimentare pentru a deconecta de la sursa de alimentare.
- Păstrați cablul departe de căldură, ulei sau margini ascuțite.
- Înainte de fiecare folosire, verificați de defecte cablul de alimentare. Dacă există semne de deteriorare, el trebuie înlocuit de către o persoană calificată la un centru service autorizat pentru a evita pericolul.

AVERTIZĂRI DE SIGURANȚĂ ASUPRA FERĂSTRĂULUI CU LANȚ.

- **Păstrați distanța între părțile corpului dvs. și lanțul drujbei atunci când produsul este în funcționare. Înainte de a porni ferăstrăul cu lanț, asigurați-vă că lanțul nu vine în contact cu nimic.** Un moment de neatenție în timpul operării ferăstrăului cu lanț ar putea cauza prinderea hainelor sau a corpului dvs la ferăstrăul cu lanț.
- **Țineți întotdeauna ferăstrăul cu mâna dreaptă de mânerul posterior și cu mâna stângă de mânerul din față.** Ținerea ferăstrăului cu o configurație inversă a mâinilor crește riscul vătămării personale și nu trebuie niciodată ținute așa.
- **Țineți produsul doar de suprafața aderentă izolată, deoarece în timpul lucrului lama drujbei poate atinge cabluri ascuse sau propriul cablu.** Ferăstrăile cu lanț ce vin în contact cu fire electrice

sub tensiune ar putea face expuse piesele de metal ale sculei electrice "la tensiune" și poate electrocuta operatorul.

- **Purtați ochelari de protecție și protecție pentru auz. Echipament de protecție suplimentar pentru cap, mâini, picioare și laba piciorului este recomandat.** Hainele de protecție corespunzătoare vor reduce vătămarea personală de resturile aruncate sau de contactul accidental cu ferăstrăul cu lanț.
- **Nu operați ferăstrăul urcat în copac.** Operarea ferăstrăului cu lanț suit în copac poate rezulta în vătămare personală.
- **Mențineți întotdeauna o poziție sigură și operați ferăstrăul cu lanț doar când stați pe o suprafață fixă, sigură și dreaptă.** Suprafețele alunecoase sau nesigure precum scările mobile pot cauza pierderea echilibrului sau a controlului ferăstrăului.
- **Când tăiați o creangă ce este sub tensiune fiți atent la faptul că revine brusc înapoi.** Atunci când tensiunea fibrelor de lemn sunt eliberate, creanga elastică poate să lovească operatorul și/sau să scape ferăstrăul de sub control.
- **Folosiți maximă atunci când tăiați tufșuri și puieți.** Materialul subțire ar putea prinde ferăstrăul și să se înfășoare în fața dvs sau să vă dezchilibreze.
- **Transportați ferăstrăul de mânerul frontal și nu în stare de funcționare și țineți-l ferit de corp.** Atunci când transportați sau depozitați ferăstrăul montați întotdeauna apărătoarea barei de ghidare. Manipularea corectă a ferăstrăului va reduce posibilitatea contactului accidental cu ferăstrăul în mișcare.
- **Urmați instrucțiunile privind lubrifierea, tensionarea lanțului și schimbările accesoriilor.** Lanțul tensionat sau lubrifiat necorespunzător poate fi să se rupă sau să crească posibilitatea de recul.
- **Mențineți mânerul uscat, curat și fără urme de ulei și vaselină.** Mânerul unsuros sau uleios sunt alunecoase, cauzând pierderea controlului.
- **Tăiați doar lemn. Nu folosiți ferăstrăul pentru alte scopuri decât cel prevăzut. De exemplu, nu folosiți ferăstrăul cu lanț pentru tăierea plasticului, a zidăriei sau a materialelor de construcție ce nu sunt din lemn.** Folosirea ferăstrăului pentru operații diferite de cele prevăzute poate rezulta în situație periculoasă.

Cauzele și prevenirea operatorului de recul:

Se poate produce un recul dacă extremitatea ghidului lanțului intră în contact cu un obiect sau dacă lanțul ferăstrăului se agață și se blochează în lemn în timpul tăierii.

Contactul cu vârful în anumite cazuri poate cauza o reacție bruscă înapoi, ridicarea/bascularea barei de ghidare și darea înapoi înspre operator.

Agățarea lanțului de ferăstrău de-a lungul părții superioare a lamei de ghidare poate împinge lama de ghidare rapid înapoi spre operator.

În fiecare din aceste cazuri, puteți pierde controlul ferăstrăului cu lanț și să fiți rănit grav. Nu vă bazați exclusiv pe elementele de protecție ale ferăstrăului cu lanț. Și



dumneavoastră trebuie să luați diverse măsuri pentru a evita riscurile de accidente sau de rănire.

Recul este rezultatul folosirii incorecte și/sau procedurii sau condițiilor incorecte de operare a sculei și poate fi evitat luând măsurile de precauție corecte așa cum sunt date mai jos:

- **Mențineți o prindere fermă, cu degetul mare și degetele înconjurând mânerele ferăstrăului, cu ambele mâini pe ferăstrău și poziția corpului și a brațelor să vă permită să rezistați forțelor reculului.** Forțele de recul pot fi controlate de operator, dacă măsurile de precauție corespunzătoare sunt luate. Nu dați drumul ferăstrăului.
- **Nu vă întindeți prea mult și nu tăiați deasupra înălțimii umerilor.** Acest lucru previne contactul neintenționat cu vârful și permite un mai bun control al ferăstrăului în situații neașteptate.
- **Folosiți doar bară de schimb și lanțuri specificate de către producător.** Bările de schimb și lanțurile necorespunzătoare pot cauza ruperea lanțului și/sau recul.
- **Respectați instrucțiunile producătorului pentru ascuțirea și întreținerea lanțului.** Scăderea înălțimii etalonului adâncimii de tăiere poate duce la un recul crescut.

AVERTIZĂRI DE SIGURANȚĂ SUPLIMENTARĂ PRIVIND FERĂSTRĂUL CU LANȚ

- Este recomandat să tăiați bușteni pe o capră sau un cadru când operați produsul pentru prima dată.
- Asigurați-vă că toate apărătorile, mânerele și amortizoarele în formă ascuțită sunt corespunzător montate și se află în stare bună.
- Persoanele ce folosesc acest produs trebuie să aibă o stare de sănătate bună. Produsul este greu, așadar operatorul trebuie să fie puternic din punct de vedere fizic. Operatorul trebuie să fie prevăzător, să aibă o vedere, mobilitate și echilibru bun și o dexteritate manuală. Dacă există orice dubiu, nu operați produsul.
- Nu porniți produsul până când nu aveți o zonă de lucru curată, o poziție sigură, și o cale de retragere planificată față de copacul în cădere.
- Fiți atent la emisiile de gaze de lubrifiere și pulberea ferăstrăului. Purtați o mască sau mască protectoare dacă e necesar.
- Dacă se deteriorează cablul electric, duceți produsul la reparații numai într-un centru service autorizat.
- Mențineți întotdeauna cablul de curent ordonat și ferit de zona de tăiere. În afara pericolului electrocutării, cablurile neordonate pot cauza căderi și împiedicări.
- Nu tăiați lujeri și/sau arboret mic (mai mic de 75 mm în diametru)
- Atunci când lucrați cu drujba, țineți întotdeauna drujba cu ambele mâini. Țineți bine ferăstrăul, cu degetele cuprinzând mânerele. Mâna dreaptă trebuie să fie pe mânerul posterior și mâna stângă pe mânerul frontal.
- Înainte de a porni fierăstrăul cu lanț, asigurați-vă că lanțul nu se află în contact cu niciun obiect.
- Nu modificați produsul în niciun fel și nu-l utilizați pentru a alimenta echipamente sau dispozitive care nu sunt

recomandate de producătorul drujbei.

- Trebuie să existe o cutie de prim ajutor conținând un pansament mare și mijloace de atragere a atenției (de exemplu un fluier) aproape de operator. O cutie mai mare și mai cuprinzătoare trebuie în mod normal să existe în apropiere.
- Trebuie să purtați cască de protecție întotdeauna când operați produsul. Casca, echipată cu vizieră cu plasă, poate contribui la reducerea riscului de rănire în zona feței și a capului în cazul unui recul.
- Un lanț incorect tensionat poate să sară de pe bara de ghidare și poate cauza vătămare gravă sau deces. Lungimea lanțului depinde de temperatură. Verificați frecvent tensiunea lanțului.
- Trebuie să vă obișnuiți cu noul dvs ferăstrău cu lanț prin efectuarea de tăieri simple pe un lemn prin fix. Daceți acest lucru oricând nu ați operat ferăstrăul o bucată de timp.
- Pentru a reduce riscul de rănire asociat contactului cu piesele în mișcare, opriți întotdeauna motorul, cuplați frâna de lanț și deconectați ștecărul de la priza electrică. Asigurați-vă că toate piesele mobile s-au oprit complet:
 - Înainte de a lăsa produsul nesupravegheat
 - Înaintea curățării sau deblocării înfundării
 - Înaintea instalării sau îndepărtării accesoriilor
 - Înaintea verificării, efectuării întreținerii sau utilizării produsului
- Suprafața zonei de lucru depinde de sarcina care trebuie realizată, în aceeași măsură cu mărimea copacului sau a piesei de prelucrat. De exemplu, pentru a doborî un copac e necesară o zonă mai mare de lucru decât pentru a face alte tăieri, de ex. tăieri mici, etc. Operatorul trebuie să fie conștient și să aibă controlul la tot ce se întâmplă în această zonă de lucru.
- Nu tăiați având corpul dvs în linie cu bara de ghidare și cu lanțul. Dacă aveți parte de reculuri aceasta vă va ajuta să preveniți ca lanțul să vină în contact cu capul sau corpul dvs.
- Nu folosiți o mișcare de tăiere în față și înapoi, lăsați lanțul să facă treaba, mențineți lanțul ascuțit și nu încercați să împingeți lanțul în porțiunea tăiată.
- Nu exercitați presiune asupra ferăstrăului la terminarea tăierii. Fiți gata să preluați din greutatea ferăstrăului pe măsură ce tăietura în lemn este aproape gata. În caz contrar, pot rezulta vătămări corporale grave.
- Nu opriți ferăstrăul în mijlocul operațiunii de tăiere. Mențineți ferăstrăul în funcțiune până când este eliberat prin finalizarea tăierii.

Echipment personal de protecție.

Echipamentul personal de protecție de o bună calitate ca cel folosit de profesioniști va ajuta la reducerea riscului de vătămare a operatorului. Următoarele articole trebuie folosite când operați ferăstrăul dvs cu lanț:

Cască de protecție

- trebuie să fie în conformitate cu EN 397 și marcată CE

Protecție a auzului

- trebuie să fie în conformitate cu EN 352-1 și

| |
|-----------|
| EN |
| FR |
| DE |
| ES |
| IT |
| NL |
| PT |
| DA |
| SV |
| FI |
| NO |
| RU |
| PL |
| CS |
| HU |
| RO |
| LV |
| LT |
| ET |
| HR |
| SL |
| SK |
| BG |
| UK |
| TR |



marcată CE

Protecția ochilor și a feței

- trebuie să fie marcată CE și să fie în conformitate cu EN 166 (pentru ochelarii de protecție) sau EN 1731 (pentru viziere)

Mănuși

- trebuie să fie în conformitate cu EN381-7 și marcată CE

Protecție a picioarelor (ghete de piele)

- trebuie să fie în conformitate cu EN 381-5, să fie marcat CE și să ofere protecție generală

Ghete de protecție pentru ferăstrăul cu lanț

- trebuie să fie în conformitate cu EN ISO 20345:2004, să fie marcat cu o apărătoare înfățișând un ferăstrău cu lanț pentru a arătat conformitatea cu EN 381-3. (Utilizatorii ocazionali pot să folosească ghete de protecție cu bombou metalic de protecție a degetelor piciorului cu jambiere de protecție ce sunt conforme cu EN381-9 dacă solul este drept și există un risc scăzut de a face pași greșiți sau să fiți prinși de arbuști)

Geci pentru protecția superioară a corpului împotriva ferăstrăului

- trebuie să fie în conformitate cu EN 381-11 și marcată CE

INSTRUCȚIUNI CU PRIVIRE LA TEHNICILE CORESPUNZĂTOARE PENTRU DOBORÂREA, TĂIEREA CRENGILOR ȘI A TĂIERII TRANSVERSALE.

Înțelegerea forțelor din interiorul lemnului

Atunci când înțelegeți presiunile direcționale și solicitările din interiorul lemnului puteți reduce "strângerea" lemnului sau cel puțin vă așteptați la ea în timpul tăierii. Tensiunea în interiorul lemnului înseamnă că fibrele sunt trase la o parte și dacă tăiați în această zonă "tăietura" va tinde să se deschidă pe măsură ce ferăstrăul înaintează. Dacă un buștean este sprijinit pe o capră iar capătul bușteanului atârâ neprijinit atunci tensiunea este creată pe suprafața superioară datorită greutateii bușteanului ce întinde fibrele lemnului. Tot așa, partea dedesubt a bușteanului va fi strânsă/comprimată și fibrele vor fi împinse împreună. Dacă o tăietură este făcută în această zonă, partea tăiată va avea tendința să se închidă în timpul tăierii. Aceasta ar putea prinde lama.

Doborârea unui copac.

Vezi pagina 273 - 274.

Atunci când sunt îndeplinite operațiuni de tăiere sau doborâre a copacilor simultan de către două sau mai multe persoane, operațiunea de doborâre trebuie să fie separată de cea de tăiere la o distanță de cel puțin două ori înălțimea copacului ce vine doborât. Copacii trebuie doborâți în așa fel încât să nu pună în pericol nicio persoană, să nu lovească nicio linie de serviciu public sau să cauzeze orice distrugere a proprietății. În cazul în care copacul face contact cu o linie de serviciu public, compania trebuie să fie notificată imediat.

Dacă terenul este în pantă, stați întotdeauna în partea de sus a terenului deoarece copacul riscă să se rostogolească sau să alunece în josul pantei după ce este tăiat.

O cale de retragere trebuie întotdeauna planificată și eliberată necesar înainte ca operațiunile de tăiere să înceapă. Calea de retragere trebuie să se înalțe în diagonală în spatele liniei prevăzute de cădere a copacului.

Înainte ca doborârea să aibă loc, luați în considerare înclinarea naturală a copacului, localizarea crengilor mari și a direcției vântului pentru a judeca felul în care copacul va cădea.

Îndepărtați noriul, coaja ce stă să se desprindă, cuiele, cârligele și firele din copac.

Nu încercați să doborâți arbori putrezi sau afectați de incendii, vânt, trăsnet etc. Acest lucru este extrem de periculos și trebuie realizat doar de către tăietorii de lemne profesioniști.

■ Tăetura la trunchi

Vezi pagina 273 - 274.

Faceți tăietura la 1/3 din diametrul copacului, perpendicular pe direcția de cădere. Faceți mai întâi tăietura orizontală la bază. Acest lucru va ajuta la prevenirea prinderii fie a ferăstrăului sau a barei de ghidare atunci când a doua tăietură este făcută.

■ Tăierea finală de doborâre

Vezi pagina 273 - 274.

Faceți tăietura de doborâre la cel puțin 50 mm/2 inci mai sus decât tăietura orizontală de doborâre. Faceți tăietura de doborâre paralelă cu tăietura orizontală. Faceți tăietura de doborâre în așa fel încât să rămână suficient lemn care să acționeze ca o balama. Balamaua de lemn menține copacul să nu se răsucescă și să cadă în direcția greșită. Nu tăiați prin balamaua de lemn. Pe măsură ce căderea se apropie de balamaua de lemn, copacul ar trebui să înceapă să cadă. Dacă există vreo posibilitate ca direcția de cădere a copacului să fie una greșită sau să balanseze înapoi și să înțepenească ferăstrăul, opriți tăierea înainte ca tăietura de doborâre să fie completă și folosiți pene de lemn, plastic sau aluminiu pentru a deschide tăietura și să cadă copacul de-a lungul liniei de cădere dorite.

Atunci când copacul începe să cadă îndepărtați ferăstrăul din tăietură, opriți motorul, puneți ferăstrăul jos, apoi retrageți-vă pe calea de retragere planificată. Fiți atent la căderea crengilor de deasupra capului și priviți unde pașiți.

Tăierea rădăcinilor de contrafort

Vezi pagina 274.

O rădăcină de contrafort este o rădăcină groasă care pleacă de la trunchiul copacului până la sol. Tăiați rădăcinile groase înainte de a începe doborârea. Efectuați mai întâi o tăietură orizontală în rădăcină, apoi o tăietură verticală. Degajați partea tăiată astfel din zona de lucru. Procedați la doborâre după ce ați îndepărtat rădăcinile de contrafort.

Împingerea și tracțiunea

Forța de reacție se exercită întotdeauna în direcția opusă sensului de rotație al lanțului. Astfel, operatorul trebuie să fie pregătit să controleze tendința produsului de a se îndepărta (mișcare înainte), atunci când taie pe marginea de jos a barei. Pentru a evita o astfel de mișcare, antrenați întotdeauna bara de protecție cu țepi, pentru a evita o astfel

de mișcare. Produsul poate fi împins înapoi (spre operator), atunci când se taie de-a lungul marginii superioare. Pentru a evita acest lucru asigurați-vă că lanțul nu este blocat atunci când tăierea are loc de-a lungul marginii superioare.

Ferăstrăul bolcat în tăietură.

Oprii ferăstrăul și faceți-l sigur. Nu încercați să forțați lanțul și bara să iasă din tăietură întrucât e foarte probabil ca lanțul să se rupă și ar putea să balanseze înapoi și să lovească operatorul. Această situație în mod normal se întâmplă pentru că lemnul este necorespunzător sprijinit și forțează tăietura să se închidă sub compresie, ca urmare să strângă lama. Dacă reglarea sprijinului nu eliberează bara și lanțul, folosiți pene de lemn sau un levier pentru a deschide tăietura și a elibera ferăstrăul. Nu încercați niciodată să porniți ferăstrăul când bara de ghidare este deja în tăietură sau secțiunea tăiată.

Alunecarea și reculul lamei

Atunci când motofierăstrăul nu reușește să avanseze în cadrul unei tăieturi, șina de ghidaj poate începe să sară sau să alunece în mod periculos pe suprafața trunchiului motofierăstrăului. Pentru a împiedica sau reduce alunecarea și reculul lamei, utilizați întotdeauna motofierăstrăul cu ambele mâini. Asigurați-vă că lanțul fierăstrăului a realizat o creștătură pentru începerea tăierii.

Nu tăiați niciodată cu motofierăstrăul crengi mici, flexibile sau tufișuri. Dimensiunea și flexibilitatea acestora pot conduce ușor la instabilitatea verticală a produsului sau la griparea acestuia cu o forță suficientă astfel încât să provoace un efect de recul. Cele mai bune instrumente pentru astfel de operațiuni sunt fierăstrăul manual, foarfecele de grădină, o axă și alte instrumente.

Debitarea unui buștean la dimensiune

Vezi pagina 275.

Debitarea este tăierea unui buștean la dimensiune. Este important să vă asigurați că poziția dvs este fermă și că greutatea dvs este egal distribuită pe ambele picioare. Atunci când e posibil, bușteanul trebuie să fie ridicat și sprijinit prin folosirea crengilor, a butucilor sau a proptelei. Urmați instrucțiunile simple pentru o tăiere ușoară. Atunci când bușteanul este sprijinit pe întreaga sa lungime, este tăiat din partea de sus (tăiere de deasupra)

Când bușteanul este sprijinit la un capăt, tăiați 1/3 din diametru pornind de dedesubt (tăiere de dedesubt). Apoi faceți tăietura finală prin tăiere de deasupra pentru a vă întâlni cu prima tăietură.

Atunci când bușteanul este sprijinit la ambele capete, tăiați 1/3 din diametru cu o tăiere de sus (tăiere de deasupra) Apoi faceți tăietura finală prin tăiere de dedesubt cam 2/3 pentru a vă întâlni cu prima tăietură.

Atunci când debitați bușteanul în pantă stați mereu pe partea de sus a bușteanului. Atunci când faceți o "tăiere completă" pentru a menține complet controlul ferăstrăului eliberați presiunea de tăierea aproape de finalizarea tăierii fără relaxa prinderea fermă a mânerelor ferăstrăului. Nu lăsați lanțul să vină în contact cu solul. După ce tăierea este finalizată, așteptați ca ferăstrăul să se oprească înainte de a-l muta. Oprii întotdeauna motorul înainte de a vă muta de la un copac la altul.

Tăierea crengilor unui copac

Vezi pagina 276.

Tăierea crengilor reprezintă îndepărtarea crengilor unui copac doborât. Atunci când tăiați crengile lăsați crengile de jos să sprijine bușteanul de sol. Îndepărtarea crengilor mici dintr-o singură tăiere. Crengile tensionate trebuie să fie tăiate de la fund în sus pentru a evita înțepenirea ferăstrăului.

Tije de suspensie de amortizare

Vezi pagina 276.

O prăjină este o ramură, o buturugă dezrădăcinată sau un arbust care este îndoit de o altă bucată de lemn, astfel încât aceasta se destinde brusc atunci când o tăiați sau când îndepărtați bucata de lemn care o reține.

Buturuga dezrădăcinată a unui copac doborât riscă să se destindă și să revină în poziție verticală în timpul tăierii pentru a o separa de trunchi. Fiți atenți la prăjini, acestea sunt periculoase. Nu încercați să tăiați crengi îndoit sau bușteni care sunt tensionați decât dacă sunteți instruit și competent profesional pentru asta.

⚠ AVERTISMENT

Prăjini sunt periculoase pentru că vă pot lovi și să vă facă să pierdeți controlul ferăstrăului cu lanț. Ceea ce poate provoca răni grave sau mortale. Această operațiune trebuie îndeplinită de utilizatori instruiți.

TRANSPORTAREA ȘI DEPOZITAREA

Vezi pagina 281 - 284.

- Oprii echipamentul și deconectați sursa de alimentare. Lăsați produsul să se răcească înainte de depozitare sau de transportare cu un vehicul.
- Curățați toate materialele străine din produs. Depozitați-l într-un loc răcoros, uscat și bine aerisit ce este inaccesibil copiilor. Nu-l depozitați în apropiere de agenți corozivi cum ar fi produși chimici de grădinarit sau săruri antigel. Nu depozitați în aer liber.
- Potrivii apărătoriarea barei de ghidare înainte de a depozita produsul sau în timpul transportării lui.
- Pentru transportare, fixați produsul împotriva mișcării sau căderii pentru a preveni vătămarea persoanelor sau deteriorarea produsului.

ÎNTREȚINERE

Păstrați întotdeauna produsul în stare bună de funcționare.

⚠ AVERTISMENT

Folositi doar piese de schimb, accesorii si atasamente originale ale producatorului Neumfarea acestora poate cauza posibila vătămarea, slaba funcționare și ar putea anula garanția.

EN
FR
DE
ES
IT
NL
PT
DA
SV
FI
NO
RU
PL
CS
HU
RO
LV
LT
ET
HR
SL
SK
BG
UK
TR

⚠️ AVERTISMENT

Service-ul necesită atenție și cunoștințe deosebite și trebuie îndeplinit doar de către un tehnician service calificat. Duceți produsul la reparații numai într-un centru service autorizat. La efectuarea serviciului, folosiți doar piese de schimb originale ale producătorului.

⚠️ AVERTISMENT

Deconectați produsul de la sursa de alimentare înainte de a-l curăța, regla sau realiza orice fel de lucrări de întreținere. Neîndeplinirea acestui lucru poate rezulta în vătămare personală gravă.

- Puteți face doar reglajele sau reparațiile descrise în acest manual. Pentru alte reparații, produsul trebuie prezentat numai unui centru de service autorizat.
- Întreținerea incorectă, modificarea sau îndepărtarea accesoriilor de protecție, cum ar fi frâna lanțului, protecțiile pentru mâini (față și spate), bara de protecție ținută, protecția pentru lanț, bara de ghidare, protecția inferioară anti- recul, pot avea consecințe grave, cauzând funcționarea incorectă a caracteristicilor de siguranță și crescând riscul unor accidente grave. Întrețineți produsul la standarde profesionale și în condiții de siguranță.
- Ascuțirea lanțului în siguranță este o sarcină expertă. Prin urmare, producătorul recomandă cu tărie înlocuirea lanțurilor uzate sau greoaie cu unele noi, disponibile în centrele de service autorizat. Numărul de piese/părți este disponibil în tabelul de specificații ale produsului din acest manual.
- Urmați instrucțiunile privind lubrifierea, verificarea și reglarea tensiunii lanțului.
- După fiecare folosire curățați produsul cu o cârpă moale și uscată.
- Verificați toate piulițele, suruburile la intervale frecvente de timp ca să fie corespunzător strânse pentru a vă asigura că echipamentul este în stare de lucru în siguranță. Orice piesă deteriorată trebuie să fie reparată în mod corespunzător sau înlocuită de un service autorizat.

RISCURI REZIDUALE

Chiar dacă produsul este folosit așa cum a fost prescris, este totuși imposibil să se elimine complet anumiți factori de risc reziduali. Următoarele pericole pot apărea în timpul folosirii și operatorul trebuie să acorde o atenție specială pentru a evita următoarele:

- Vătămare cauzată de vibrație
 - Folosiți întotdeauna scula potrivită pentru lucrare. A se utiliza mânerele destinate pentru aceasta. Reduceți timpul de lucru și de expunere.
- Expunerea la zgomot poate cauza vătămarea auzului.
 - Purtați protecție pentru auz și limitați expunerea.
- Contact cu dinții expuși ai lanțului ferăstrăului (pericol de tăiere).
- Mișcare neprevăzută, abruptă sau recul al lanțului de

ghidare (pericole de tăiere).

- Părți proiectate de ferăstrău (pericole la tăiere/injecție)
- Părți aruncate din piesa de lucru (așchii de lemn, fragmente de lemn).
- Inhalarea de praf și particule ca urmare a tăierii
- Contactul pielii cu ulei

REDUCEREA RISCULUI

S-a raportat faptul că vibrațiile produse de unelte manuale pot contribui, la anumite persoane, la o afecțiune denumită Sindromul Raynaud. Simptomele pot include furnicături, amorțeală și albirea degetelor, care apare, de obicei, după expunerea la frig. Factori ereditari, expunerea la frig și umiditate, dieta, fumatul și practicile de muncă contribuie la dezvoltarea acestor simptome. Există măsurător care pot fi efectuate de către operator pentru a reduce efectele de vibrații:

- Păstrați-vă temperatura corporală ridicată pe vreme rece. Când operați unitatea purtați mănuși pentru a vă menține mâinile și încheieturile la căldură. S-a constatat că vremea rece este un factor major care contribuie la sindromul Raynaud.
- După fiecare perioadă de operare, trebuie făcute exerciții pentru a crește circulația sângelui.
- Trebuie făcute pauze la intervale de timp regulate. Limitați expunerea zilnică.
- Mănușile de protecție disponibile la magazinele profesionale de ferăstraie sunt proiectate în mod special pentru a folosi ferăstrăului și care oferă protecție, o priză bună și reduc riscul de vibrație a mânerelor.

Dacă sunt experimentate oricare dintre simptomele acestei afecțiuni, trebuie întreruptă utilizarea și consultat un medic.

⚠️ AVERTISMENT

Pot fi cauzate sau agravate vătămarile de la folosirea prelungită a aparatului. Atunci când folosiți o sculă pentru perioade prelungite, asigurați-vă că luați pauze regulate.

CUNOAȘTEȚI-VĂ PRODUSUL

Vezi pagina 267.

1. Lanțul ferăstrăului
2. Ghidul lanțului
3. Apărătoarea-mâinii din față/frâna lanțului
4. Mâner anterior
5. Butonul de deblocare a trăgaciului
6. Mânerul principal
7. Știftul amortizor
8. Bușonul rezervorului de ulei
9. Opritor cablu
10. Trăgaci declanșator
11. Apărătoare roată lanț
12. Tensionarea lanțului / Buton rotativ de blocare a barei de ghidare
13. Apărătoare bară de ghidare
14. Dispozitiv de prindere a lanțului

DISPOZITIVE DE SIGURANȚĂ

Laț cu tendință redusă de recul

Un ferăstrău cu recul redus ajută la reducerea posibilității unui eveniment de recul.

Limitatorii de adâncime situați în fața fiecărui dinte pot reduce forța efectului de recul evitând ca dinții să pătrundă prea adânc în zona de recul. Folosiți doar bară de ghidare și combinații de laț de schimb recomandate de producător.

Fiți și mai vigilenți după ce ați ascuțit lanțul ferăstrăului, deoarece ascuțirea face ca lanțul să fie mai puțin rezistent la recul. Pentru siguranța dvs, înlocuiți lanțul ferăstrăului atunci când performanța tăierii scade

Știftul amortizor

Știftul integral amortizor poate fi folosit ca articulație atunci când se execută o tăiere. Vă ajută să țineți corpul ferăstrăului stabil în timp ce tăiați. Atunci când tăiați, împingeți în față aparatul până când dinții ferăstrăului crestează în marginea lemnului, apoi mișcând mânerul posterior în sus și în jos în direcția liniei de tăiere poate ajuta la ușurarea solicitării fizice ale tăierii.

Ghidul de laț

În general, barele de ghidare cu rază mică a vârfului au o aerum un potențial mai scăzut de recul. Trebuie să folosiți o bară de ghidare și un laț potrivit care este îndeajuns de lung pentru lucrare. Barele mai lungi cresc riscul de pierdere a controlului în timpul tăierii. Verificați regulat tensiunea lanțului. Atunci când tăiați crengi mai mici (mai mici decât lungimea totală a barei de ghidare) lanțul este foarte probabil să fie aruncat dacă tensiunea lui nu este corectă.

Frâna lanțului

Frâna lanțului a fost concepută pentru a permite oprirea rapidă a lanțului din rotație. Lanțul trebuie să se oprească imediat atunci când mânerul frânei/apărătoarei mâinii este împins în față. Frâna lanțului nu împiedică efectul de recul. Doar scade riscul de vătămare dacă bara cu laț vine în contact cu corpul operatorului în timpul unui eveniment de recul. Frâna lanțului trebuie să fie testată înainte de fiecare folosire pentru o corectă operare atât în poziția de funcționare cât și în poziția frână.

Dispozitiv de prindere a lanțului

Protecția de laț împiedică proiectarea lanțului în spate, către utilizator, în cazul în care lanțul se rupe sau se desprinde de pe ferăstrău.

MONTARE

⚠ AVERTISMENT

Dacă orice piesă este deteriorată sau lipsă nu operați acest produs până când piesele nu sunt înlocuite. Nerespectarea acestei avertizări poate provoca vătămări corporale grave.

ASAMBLAREA LANȚULUI FERĂSTRĂULUI ȘI A BAREI DE GHIDARE.

Vezi pagina 268 - 269.

1. Scoateți ștecherul din priză. Purtați mănuși de protecție.
2. Deșurubați butonul rotativ de blocare a barei de ghidare și îndepărtați capacul roții de laț
3. Lanțul ferăstrăului trebuie să fie în direcția rotirii lanțului. Dacă ele sunt orientate în sens invers, întoarceți bucla pe care ați format-o.
4. Așezați zalele de antrenare a lanțului în canalul lamei.
5. Poziționați lanțul astfel încât să formeze o buclă în partea din spate a ghidului.
6. Țineți lanțul în poziție pe bară și puneți bucla lanțului în jurul roții dințate a lanțului. Coborâți bara în așa fel încât șurubul să treacă prin gaura ansamblului de tensionare a lanțului atașat.
7. Scoateți apărătoarea pinionului de laț și strângeți șurubul rotindu-l în sensul acelor de ceasornic, pentru a mări tensiunea, până când ghidajul se fixează în poziția sa. Verificați frecvent tensiunea lanțului. Tensiunea lanțului este corectă atunci când spațiul dintre dinții lanțului și bară este între 3 și 4 mm. Trageți lanțul la mijlocul marginii inferioare a barei (în afara barei) și măsurați distanța dintre bară și dinții lanțului.
8. Strângeți și fixați șurubul ghidajului/lanțului prin răsucirea sa în sensul acelor de ceasornic.

REGLAREA TENSIUNII LANȚULUI

Vezi pagina 279.

1. Deconectați sursa de alimentare. Purtați mănuși de protecție.
2. Pentru a corecta tensiunea lanțului, deșurubați complet șurubul de fixare a ghidajului/tensiunii lanțului și apoi strângeți șurubul rotindu-l în sensul acelor de ceasornic, pentru a mări tensiunea, până când ghidajul se fixează în poziția sa. Verificați frecvent tensiunea lanțului. Tensiunea lanțului este corectă atunci când spațiul dintre dinții lanțului și bară este între 3 și 4 mm. Trageți lanțul la mijlocul marginii inferioare a barei (în afara barei) și măsurați distanța dintre bară și dinții lanțului.
3. Strângeți și fixați șurubul ghidajului/lanțului prin răsucirea sa în sensul acelor de ceasornic.

OBSERVAȚIE: Asigurați-vă că bara și lanțul de la ansamblul de tensionare au libertate de mișcare, fără gunoi, iar lanțul este poziționat corect în jurul pinionului. Dacă lanțul este prea strâns sau prea slab după fixarea șurubului de blocare a ghidajului/de strângere a lanțului, verificați dacă ghidajul și ansamblul de tensionare sunt curate și asamblate în mod corespunzător. Dacă este necesar, scoateți acoperitoarea pinionului și ghidajul pentru a le curăța, apoi reasamblați piesele.

UTILIZARE

ADĂUGAREA DE ULEI LUBRIFIANT PENTRU LANȚ

Vezi pagina 269.

⚠️ AVERTISMENT

Nu lucrați niciodată fără lubrifiant pentru lanț. Dacă ferăstrăul cu lanț funcționează fără lubrifiant, bara de ghidare și lanțul ferăstrăului pot fi deteriorate. Este esențial să se verifice frecvent nivelul uleiului în baia de ulei, înainte de utilizarea drujbei.

1. Curățați suprafața din jurul capacului de ulei pentru a preveni murdărirea.
2. Deșurubați și îndepărtați capacul de la rezervorul de ulei.
3. Turnați ulei în rezervorul de ulei și monitorizați indicatorul de nivel al uleiului. Asigurați-vă că nu intră murdărie în rezervorul de ulei când turnați ulei.
4. Puneți înapoi capacul de ulei și strângeți-l. Ștergeți orice scurgere.
5. Un rezervor de ulei plin vă permite să folosiți ferăstrăul timp de 12 - 18 de minute.

CUM SE ȚINE DRUJBA

Vezi pagina 269.

Țineți întotdeauna ferăstrăul cu mâna dreaptă de mânerul posterior și cu mâna stângă de mânerul din față. Prindeți ambele mâneru cu degetul mare și degetele încercuind mânerul. Asigurați-vă că mâna dvs stângă prinde mânerul frontal în așa încât degetul mare să fie dedesubt.

⚠️ AVERTISMENT

Mentțineți întotdeauna cablul de curent ordonat și ferit de zona de tăiere. În afara pericolului electrocutării, cablurile neordonate pot cauza căderi și împiedicări.

CUM SE PORNEȘTE DRUJBA

Vezi pagina 269.

1. Conectează drujba la sursa de alimentare cu energie. Asigurați-vă că frâna lanțului este în poziția de funcționare trăgând înapoi de manetă/protecția mânerului.
2. Pentru a porni produsul: Apasă siguranța trăgaciului, apoi apăsa trăgaciul on/off.

VERIFICAREA ȘI OPERAREA FRÂNEI LANȚULUI.

1. Angajați frâna lanțului rotind mâna stângă în jurul mânerului frontal. Folosind dosul palmei, împingeți levierul frânei lanțului/apărătoarea mâinii înspre bară în timp ce lanțul se rotește cu rapiditate. Lanțul ar trebui să se oprească din mișcarea de rotire imediat. Asigurați-vă că permanent țineți ambele mâini pe mânerul ferăstrăului.
2. Restabiliți înapoi frâna lanțului în poziția Funcționare apucând partea de sus a levierului frânei lanțului/apărătoarea mâinii și trăgând înspre mânerul frontal până când auziți un clic.

⚠️ AVERTISMENT

Dacă frâna de lanț nu oprește imediat lanțul sau dacă frâna de lanț nu rămâne în poziția activă fără ajutor, duceți produsul la un centru de service autorizat pentru reparații înainte de utilizare.

ÎNLOCUIREA GHIDAJULUI ȘI A LANȚULUI DRUJBEI

Vezi pagina 277 - 278.

1. Deconectați sursa de alimentare. Purtați mănuși de protecție.
2. Desfaceți ghidajul și detensionați lanțul prin rotirea butonului de blocare în sens invers acelor de ceasornic, până când acoperitoarea pinionului se desface.
3. Îndepărtați capacul roții lanțului. Îndepărtați bara și lanțul ferăstrăului de pe produs.
4. Scoateți șurubul care ține ghidajul fixat în ansamblul de tensionare a lanțului. Depozitați în mod adecvat, ca deșeu, ghidajul și lanțul drujbei uzat.
5. Montați ansamblul de tensionare a lanțului pe șina de ghidaj nouă și strângeți șurubul. Puneți noul lanț în direcția corectă pe bară și asigurați-vă că legăturile de acționare sunt aliniate cu șanțul de pe bară.
6. Atașați bara la ferăstrău și înfășurați lanțul în jurul roții de acționare.

Înlocuiți apărătoarea/capacul roții lanțului.

7. Strângeți și fixați șurubul ghidajului/lanțului prin răsucirea sa în sensul acelor de ceasornic.

Tensiunea lanțului este corectă atunci când spațiul dintre dinții lanțului și bară este între 3 și 4 mm. Trageți lanțul la mijlocul marginii inferioare a barei (în afara barei) și măsurați distanța dintre bară și dinții lanțului.

Reglarea tensiunii lanțului Consultați secțiunea "Reglarea tensiunii lanțului".

⚠️ AVERTISMENT

O ascuțire incorectă a lanțului mărește riscul de recul.

⚠️ AVERTISMENT

Dacă nu înlocuiți sau nu reparați un lanț deteriorat, vă expuneți la riscuri de răni corporale grave.

⚠️ AVERTISMENT

Lanțul este foarte tăios. Purtați întotdeauna mănuși de protecție atunci când întrețineți lanțul.

INSPECTAREA ȘI CURĂȚAREA FRÂNEI LANȚULUI

Vezi pagina 280.

- Mențineți întotdeauna curat mecanismul de frânare a lanțului curățând ușor de mizerie racordurile.
- Testați întotdeauna funcționarea frânei lanțului după curățare. Pentru informații suplimentare, consultați secțiunea "Punerea în funcțiune - Verificarea și operarea frânei de lanț" din acest manual.

SCHEMA DE ÎNTREȚINERE

| Verificare zilnică | |
|---|--|
| Deteriorare cablu de alimentare | Înainte de fiecare folosire |
| Lubrifierea lamei | Înainte de fiecare folosire |
| Tensionarea lanțului | Frecvent și înainte de fiecare folosire |
| Ascuțimea lanțului | Înainte de fiecare folosire, verificați vizual |
| Dacă sunt piese defecte | Înainte de fiecare folosire |
| Dacă sunt slăbite dispozitivele de fixare | Înainte de fiecare folosire |
| Funcția frânei cu lanț | Înainte de fiecare folosire |
| Inspectați și curățați | |
| Lamă | Înainte de fiecare folosire |
| Drujba completă | După fiecare folosire |
| Frâna lanțului | La fiecare 5 ore* |

*Ore de operare

SIMBOLURILE DE PE PRODUS.



Avertizare de siguranță



Pentru a reduce riscul vătămării, utilizatorul trebuie să citească și să înțeleagă manualul de utilizare înainte să utilizeze acest produs.



Purtați protecție pentru ochi, auz și cap.



Purtați întotdeauna încălțăminte de siguranță antiderapantă când utilizați acest produs.



Purtați mănuși care nu alunecă, destinate pentru operațiuni grele.



Deconectați fișa de la rețeaua de alimentare cu electricitate imediat înainte de realiza operații de întreținere sau în cazul în care cablul este deteriorat sau tăiat.



Fiți atent la reculul drujbei și evitați contactul cu vârful barei.



Nu expuneți la ploaie sau umezeală.



Țineți și utilizați ferăstrăul cu ambele mâini.



Se interzice utilizarea ferăstrăului cu lanț ținându-l cu o singură mână.



Acest aparat este conform cu ansamblul normelor reglementare din țara din UE în care a fost cumpărat.



Marcaj de conformitate EurAsian



Aparat clasa II, izolație dublă.



Semn de conformitate ucrainean

001



Deșeurile produselor electrice nu trebuie scum înlăturate împreună cu deșeurile casnice. Vă rugăm reciclați acolo unde există facilități. Verificați la autoritatea dvs locală sau la vânzător pentru sfaturi privind reciclarea.



Nivelul garantat de putere al sunetului este de 104 dB (RCS1935B)



Nivelul garantat de putere al sunetului este de 105 dB (RCS2340B)



Lubrifiant pentru lamă și lanț



Frâna lanțului



Rotiți pentru a bloca și debloca ghidajul.



Piedică



Deblocare



Direcția de mișcare a lanțului. (Marcat sub apărătoarea roții dințate)

SIMBOLURI DIN ACEST MANUAL



Conectarea la priză



Deconectați de la priză



Piese sau accesorii vândute separat

EN
FR
DE
ES
IT
NL
PT
DA
SV
FI
NO
RU
PL
CS
HU
RO
LV
LT
ET
HR
SL
SK
BG
UK
TR



Notă



Avertisment



Purtați protecție pentru ochi și față.



Purtați protecție superioară a corpului



Purtați protecție pentru picioare



Oprțiți produsul.

Următoarele cuvinte simbol și înțelesul lor au intenția de a explica nivelele de risc asociate cu acest produs.

⚠ PERICOL

Indică o situație periculoasă iminentă, care dacă nu este evitată va cauza decesul sau vătămarea gravă.

⚠ AVERTISMENT

Indică o situație periculoasă iminentă, care dacă nu este evitată poate rezulta în deces sau vătămare gravă.

⚠ ATENȚIE

Indică o situație potențial periculoasă, care dacă nu este evitată poate cauza vătămarea moderată sau ușoară.

ATENȚIE

Fără a simbolul de alertă privind siguranța

Indică o situație care poate duce la pagube materiale.

Radot jūsu motorzāģi, drošībai, veiktspējai un uzticamībai ir pievērsta vislielākā vērība.

PAREDZĒTAIS LIETOJUMS

Ķēdes zāģis ir paredzēts lietošanai tikai ārpus telpām. Drošības apsvērumu dēļ ierīcei vienmēr jābūt pienācīgi kontrolētai, izmantojot abas rokas.

Ierīce ir paredzēta zaru, stumbru, baļķu un apaļkoku zāģēšanai ar tādu diametru, ko nosaka slīdes griešanas garums. Tas ir paredzēts tikai koka zāģēšanai. Tas paredzēts lietošanai tikai mājsaimniecības pielietojumam pieaugušajiem, kas saņēmuši atbilstošu apmācību par briesmām un profilaktiskiem pasākumiem/darbībām, kas jāveic produkta lietošanas laikā.

Ierīci nedrīkst izmantot bērni vai personas bez atbilstoši individuālajiem aizsardzības līdzekļiem un apģērba. Tā nav paredzēta izmantošanai profesionāliem zāģēšanas pakalpojumu sniedzējiem.

Nelietojiet citiem mērķiem.

▲ BRĪDINĀJUMS

Izmantojot ierīci, izpildiet drošības noteikumus. Jūsu un tuvāk stāvošo cilvēku drošībai, pirms ierīces lietošanas jums ir jāizlasa un pilnībā jāsaprot šīs ierīces instrukcijas. Jums vajadzētu apmeklēt profesionāli organizētus kursus par drošību saistībā ar ķēdes zāģu apkopi, lietošanu, profilaktiskiem pasākumiem un pirmās palīdzības sniegšanu. Lūdzu, glabājiet noteikumus drošā vietā vēlākai izmantošanai.

▲ BRĪDINĀJUMS

Ķēdes zāģi ir potenciāli bīstamas ierīces. Nelaiemes gadījumi saistībā ar ķēdes zāģu lietošanu bieži noved pie ekstremitāšu zaudēšanas vai nāves. Bīstams ir ne tikai pats ķēdes zāģis. Nogalināt var gan kritoši zari un koki, gan ritoši baļķi. Papildu bīstamību rada slimi vai pūstoši koki. Jums jāizvērtē sava spēja droši pabeigt uzdevumu. Ja pastāv šaubas, uzticiet to koku zāģēšanas profesionāļiem.

VISPĀRĒJI ELEKTROINSTRUMENTU DROŠĪBAS BRĪDINĀJUMI

▲ BRĪDINĀJUMS

Izlasiet visus drošības brīdinājumus un norādījumus. Brīdinājumu un norādījumu neizpildīšana var izraisīt elektrisko triecienu, aizdegšanos un/vai smagu ievainojumu.

Brīdinājumus un instrukcijas saglabājiet turpmākai uzziņai.

Nosaukums "elektroinstruments" brīdinājumos attiecas uz jūsu elektrisko (ar vadu) elektroinstrumentu vai ar akumulatoru darbināmo (bez vada) elektroinstrumentu.

DARBA VIETA

- Turiet darba vietu tīru un labi apgaismotu. Pārlīvētas un tumšas vietas izraisa negadījumus.
- Nedarbiniet elektroinstrumentus sprādzienbīstamā vidē, piemēram, degošu šķidrumu, gāzu vai putekļu klātbūtnē. Elektroinstrumenti rada dzirksteles, kas var aizdedzināt putekļus vai gāzes.
- Neļaujiet bērniem un blakusstāvētājiem tuvoties darbā esošiem elektroinstrumentiem. Izklaidības dēļ jūs varat zaudēt kontroli.

ELEKTRODROŠĪBA

- Elektroinstrumenta kontaktdakšai jāatbilst kontaktligzdai. Nekad nepārveidojiet kontaktdakšu. Sazemētiem elektroinstrumentiem nelietojiet pārejas ligzdas. Nepārveidotas kontaktdakšas un atbilstošas kontaktligzdas samazinās elektriskā trieciena risku.
- Nepieļaujiet ķermeņa kontaktu ar sazemētām virsmām, piemēram, caurulēm, radiatoriem, pavardiem un saldētavām. Ja jūsu ķermenis ir sazemēts, pastāv palielināts elektriskā trieciena risks.
- Nepakļaujiet precī lietum vai slapjiem apstākļiem. Ūdens iekļūšana elektroinstrumentā palielina elektriskā trieciena risku.
- Neizmantojiet kabeli nepareizi. Nekad neizmantojiet vadu, lai nestu, vilktu elektroinstrumentu vai atvienotu kontaktdakšu. Turiet kabeli tālu no siltuma avota, eļļas, asiem priekšmetiem vai kustīgām detaļām. Bojāts vai savērpts kabelis palielina elektriskā trieciena iespēju.
- Strādājot ar elektroinstrumentu ārpus telpām, lietojiet āra lietošanai piemērotu pagarinātāju. Elektriskā trieciena risku samazina lietošanai ārpus telpām piemērota kabeļa izmantošana.
- Ja elektroinstruments ir jālieto mitrās telpās, izmantojiet strāvas noplūdes automātslēdzi (RCD) barošanas vadā. Paliekošās strāvas ierīces izmantošana samazina elektriskā trieciena risku.

PERSONISKĀ DROŠĪBA

- Uzmanieties darba laikā un izmantojiet veselo saprātu, darbojoties ar elektroinstrumentu. Neizmantojiet elektroierīci, ja esat noguris vai narkotisko vielu, alkohola vai medikamentu ietekmē. Neuzmanības brīdis, strādājot ar elektroinstrumentiem, var izraisīt smagus ievainojumus.
- Lietojiet personīgo aizsargaprīkojumu. Vienmēr lietojiet aizsargbrilles. Aizsardzības aprīkojums, piemēram, putekļu maska, neslīdoši drošības apavi, aizsargķivere, vai ausu aizsarglīdzekļi, to izmantojot atbilstošos apstākļos, samazinās ievainojumu risku.
- Nepieļaujiet nejausu iedarbināšanu. Pirms pievienot enerģijas avotam un/vai akumulatoram, pacelt un pārvietot darbarīku, pārliecinieties, ka slēdzis ir izslēgtā stāvoklī. Elektroinstrumentu pārnēsāšana, turot pirkstu uz slēdža vai ieslēgtu elektroinstrumentu pārnēsāšana var izraisīt nelaimes gadījumu.
- Noņemiet visas regulēšanas uzgriežņu atslēgas pirms elektroierīces ieslēgšanas. Uzgriežņu

atslēga vai atslēga, kas palikusi piestiprināta pie elektroinstrumenta rotējošās detaļas, var izraisīt personas ievainojumu.

- **Nepersitempkite. Visu laiku stāviet stingri un stabili.** Tas ļauj labāk vadīt elektroinstrumentu negaidītās situācijās.
- **Apģērbieties pareizi. Nevalkājiet vaļīgu apģērbu vai rotaslietas. Turiet savus matus, apģērbu un cimdus tālu no kustīgām detaļām.** Vaļīgs apģērbs, rotaslietas vai gari mati var tikt ierauti starp kustīgām detaļām.
- **Ja ierīce ir aprīkota ar putekļu nosūcēja un savācēja pievienojumu, pārliecinieties, ka tas ir pievienots un tiek pareizi lietots.** Putekļu savācēja lietošana var samazināt putekļu izraisītos riskus.

ELEKTROINSTRUMENTU LIETOŠANA UN APRŪPE

- **Nepielietojiet spēku, izmantojot ražojumu. Izmantojiet savam darbam atbilstošu elektroierīci.** Pareizais elektroinstrumenta veiks darbu labāk un drošāk ar ātrumu, kādam ticis konstruēts.
- **Nelietojiet elektroinstrumentu, ja ar slēdzi to nevar ieslēgt un izslēgt.** Ja elektroinstrumentu nevar vadīt ar slēdzi, tas ir bīstams un jāremontē.
- **Pirms elektroinstrumentu regulēšanas, piederumu maiņas vai uzglabāšanas atvienojiet spraudni no barošanas avota un/vai akumulatora bloku no elektroinstrumenta.** Šādi profilakses pasākumi samazina elektroierīces nejaušas iedarbināšanas iespēju.
- **Glabājiet neizmantotus elektroinstrumentus bērniem nepieejamās vietās un neļaujiet neapmācītām personām darboties ar elektroinstrumentiem.** Elektroinstrumenti ir bīstami neapmācītu personu rokās.
- **Apkopt elektroinstrumentus. Pārbaudiet kustīgo detaļu savienojumu pareizību, detaļu berzi un citus apstākļus, kas var ietekmēt elektroinstrumenta darbu. Ja elektroinstrumenti ir bojāti, pirms lietošanas veiciet tā remontu.** Daudzus negadījumus izraisa slikti apkopti elektroinstrumenti.
- **Turiet griezējriekus asus un tīrus.** Pareizi apkopti griezējriekšņi ir asāki un drošāki.
- **Izmantojiet elektroierīci, piederumus, darbinstrumentus u.c. saskaņā ar šiem norādījumiem, ņemiet vērā darba apstākļus un veicamo darbu.** Elektroinstrumenta izmantošana neparedzētu darbību veikšanai var radīt bīstamu situāciju.
- **Rokturiem un citām satverošām virsmām ir jābūt sausām, tīrām un bez eļļas un smērvielu plankumiem.** Negaidītās situācijās slideni rokturi un slidena satvēriena virsmas padara darbarīka lietošanu nedrošu un nekontrolējamu.

APKOPE

- **Vai jūsu elektroinstrumentu apkalpo kvalificēts personāls, izmantojot tikai identiskas rezerves daļas.** Tas nodrošinās elektroinstrumenta drošības saglabāšanu.

PAPILDU VISPĀRĪGĀS DROŠĪBAS BRĪDINĀJUMI

- Dažos reģionos pastāv noteikumi, kas ierobežo preces lietošanu. Vērsieties pie atbildīgajām amatpersonām pēc padoma.
- Neļaujiet šo izstrādājumu lietot bērniem vai cilvēkiem, kuri nav izlasījuši šīs instrukcijas. Vietos iestatītajai gali aprīboti ierīcīti operatori ir atļauti.
- Pirms katras lietošanas reizes pārliecinieties, ka visas kontroles un drošības sistēmas ir darba kārtībā. Neizmantojiet elektroinstrumentu, ja slēdzis "off" (izslēgts) neaptur motoru.
- Izstrādājuma lietošanas laikā, valkājiet pilnus acu un ausu aizsarglīdzekļus, izturīgus darba cimdus, kā arī aizsargķiveri. Ja darbs ir putekļains, izmantojiet sejas masku.
- Nevalkājiet vaļīgu apģērbu, īsas bikses vai jebkādas rotaslietas.
- Nostipriniet garus matus tā, lai tie ir virs plecu līmeņa, lai novērstu sapīšanas kustīgajās daļās.
- Uzmanieties no izvaidītiem, lidojošiem vai krītošiem priekšmetiem. Neļaujiet visiem apkārtējiem, bērniem un dzīvniekiem atrasties tuvāk par 15 m no darba zonas.
- Nelietojiet sliktā apgaismojumā. Lietotājam jābūt pilnai redzamībai pār darba zonu, lai spētu identificēt iespējamus draudus.
- Dzirdes aizsargu lietošana mazinās jūsu spēju dzirdēt brīdinājumus (līdzsvaru vai skaņas signālus). Operatoram jāpievērš sevišķa uzmanība tam, kas notiek darba zonā.
- Līdzīgas ierīces izmantošana tuvumā palielina gan risku sabojāt dzirdi, gan iespēju, ka otrs cilvēks ieies jūsu darba zonā.
- Visada tvirtai stovēkite ir īslaikīkite pusiausvyrā. Nepersitempkite. Cenšoties pārāk tālu aizsniegties, var zaudēt līdzsvaru un palielināt atsitienu risku.
- Turiet visas ķermeņa daļas tālu no visām kustīgajām detaļām.
- Pirms katras lietošanas reizes pārbaudiet ierīci. Pārbaudiet, kā pareizi jārikojas ar visām vadības ierīcēm, tai skaitā ķēdes brekzi. Pārbaudiet, vai visi stiprinājumi ir vietā, pārliecinieties, ka visi aizsargi un rokturi atbilstoši un droši piestiprināti. Pirms lietošanas nomainiet visas bojātās detaļas.
- Nepārveidojiet ierīci un nelietojiet detaļas un aksesuārus, kurus nav ieteicies ražotājs.
- Jaudas izmaiņas rada sprieguma svārstības un var ietekmēt citas elektriskās preces, kas pieslēgtas pie tās pašas strāvas līnijas. Sprieguma svārstību minimizēšanai, pieslēdzot iekārtu, izvēlieties strāvas avotu ar pilno pretestību 0.33 Ω vai zemāku. Sazinieties ar savu elektriskās strāvas piegādātāju turpmāki informācijai.

⚠ BRĪDINĀJUMS

Ja ierīce tiek nomesta, tā ir saskārusies ar smagu triecienu vai tā sāk nevaldāmi vibrēt, nekavējoties izslēdziet ierīci un centieties atrast bojājumu vai arī cēloni šādai vibrācijai. Jebkāda tehniska apkope ir jāveic tikai autorizētos tehniskās apkopes centros.



- Elektriskā enerģija jāpiegādā caur strāvas noplūdes automātslēdzi (RCD) ar atslēgšanas strāvu, kas nepārsniedz 30 mA.
- Ja jums nepieciešams izmantot pagarinātāju, nodrošiniet, ka tas ir piemērots izmantošanai ārā un tā strāvas kapacitāte ir atbilstoša, lai apgādātu jūsu precī. Pirms katras lietošanas reizes, pārbaudiet, vai tas nav bojāts. Izmantošanas laikā, pilnībā attīniet kabeli jo saīti kabeli var pārkarst. Bojātu vada pagarinātāju nedrīkst labot, to jānomaina pret līdzvērtīgu.
- Ja elektrības vads tiek bojāts, pirms lietošanas to jānomaina.
- Pārlicinieties, ka strāvas vads ir novietots tā, ka to nevar bojāt sagriežot un ka uz tā nevar uzkāpt, paklupt vai to kā citādi bojāt vai nospiest.
- Nekad nepaceliet un nenesiet izstrādājumu aiz elektriskā kabeļa.
- Atvienojot no enerģijas avota, nekad nevelciet aiz elektriskā vada.
- Turiet elektrības vadu prom no siltuma avota, eļļas un asām šķautnēm.
- Pirms katras lietošanas reizes pārbaudiet, vai strāvas vads nav bojāts. Ja ir bojājuma pazīmes, labojumus jāveic kvalificētai personai pilnvarotā pakalpojumu centrā, lai izvairītos no briesmām.

KĒDES ZĀGA DROŠĪBAS BRĪDINĀJUMI

- **Lietošanas laikā turiet visas ķermeņa daļas atstatu no zāga ķēdes. Pirms iedarbiniet ķēdes zāģi pārlicinieties, ka zāģa ķēde nekam nepieskaras.** Mirkļa neuzmanība, darbinot ķēdes zāģi, var novest pie apģērba vai ķermeņa sapīšanās zāģa ķēdē.
- **Vienmēr turiet ķēdes zāģi, labajai rokai atrodoties uz aizmugurējā roktura, bet kreisajai rokai - uz priekšējā roktura.** Turot ķēdes zāģi pretēji norādītajai roku pozīcijai, palielinās miesas bojājumu gūšanas risks, un šādi rīkoties nekad nevajadzētu.
- **Turiet elektroinstrumentu tikai aiz izolētās satveršanas virsmas, jo motorzāģis var saskarties ar iekšējo vadu instalāciju vai produkta paša vadu.** Zāģa ķēdēm saskaroties ar vadu, kurā plūst elektriskā strāva, strāva var sākt plūst arī caur elektroinstrumenta atklātajām metāla daļām un operators var saņemt elektriskās strāvas triecienu.
- **Valkājiet aizsargbrilles un dzirdes aizsargu.** Ieteicams lietot papildu aizsardzības līdzekļus galvai, rokām, kājām un pēdēm. Atbilstošs aizsargapģērbs samazinās miesas bojājumus, ko var gūt no izvaidītiem priekšmetiem vai nejaušas saskarsmes ar zāģa ķēdi.
- **Nedarbiniet ķēdes zāģi, atrodoties kokā.** Ķēdes zāģa darbināšana, atrodoties kokā, var izraisīt miesas bojājumus.
- **Vienmēr nodrošiniet stingru atbalstu kājām, un darbiniet ķēdes zāģi tikai tad, ja stāvat uz stabilas, drošas un līdzēnas virsmas.** Stāvat uz slidenas vai nestabilas virsmas, piemēram, trepēm, var zaudēt līdzsvaru vai kontroli pār ķēdes zāģi.
- **Zāģējot nospiestu zaru, ir jāuzmanās no atsitiena**

riska. Samazinoties koka šķiedru spriegojumam, nospiestotais zars atbrīvojas un var trāpīt operatoram un/vai izraisīt kontroles zaudēšanu pār ķēdes zāģi.

- **Zāģējot jaunus krūmus esiet ārkārtīgi uzmanīgs.** Nelieli atgriezumam var iestrēgt zāģa ķēdē un izlidot jūsu virzienā, kā rezultātā jūs varat zaudēt līdzsvaru.
- **Transportējot ķēdes zāģi, turiet to aiz priekšējā roktura, izslēdziet to un turiet tālu no sava ķermeņa. Transportējot vai noliekot ķēdes zāģi glabāšanā, vienmēr ir jāuzstāda slīdes vāks.** Pareiza apiešanās ar ķēdes zāģi samazina risku nejauši pieskarties pie kustīgas zāģa ķēdes.
- **Ievērojiet norādījumus par eļļošanu, ķēdes nospiestošanu un piederumu nomaiņu.** Nepareizi nospiestota un ieeļļota ķēde var saplīst vai paaugstināt atsitiena risku.
- **Turiet rokturus sausus, tīrus un bez eļļas un smērvielām.** Taukaini un eļļaini rokturi ir slideni, un tādējādi jūs varat zaudēt kontroli.
- **Zāģējiet tikai koka materiālus. Nelietojiet ķēdes zāģi neparedzētiem mērķiem. Piemēram, nelietojiet ķēdes zāģi prasības, būvmateriālu un citu priekšmetu, kas nav izgatavoti no koka, zāģēšanai.** Ķēdes zāģa lietošana neparedzētiem mērķiem var radīt bīstamas situācijas.

Atsitiena iemesli un veidi, kā operators no tiem var izvairīties:

Var notikt tā saucamais motorzāģa prettrieciens, ja ķēdes vadītāks gals uzduras kādam priekšmetam vai ja ķēde zāģēšanas laikā tiek saspiesta un iesprūst kokā.

Slīdes gala nonākšana saskarē ar kādu priekšmetu noteiktos gadījumos var izraisīt tā spēcīgu atmešanu pretējā virzienā, kā rezultātā slīde pārvietojas uz augšu un operatora virzienā.

Ja zāģa ķēde tiek iespiesta vadošās slīdes augšdaļā, tad vadošā slīde var tikt strauji mesta operatora virzienā.

Abos gadījumos jūs varat zaudēt vadību pār motorzāģi un gūt smagus savainojumus. Nepietiek ar to, ka jūs uztīcāties tikai šā motorzāģa aizsargierīcēm! Jums ir arī jāievēro vairāki nosacījumi, lai novērstu nelaimes gadījumu izraisīšanos un savainojumu gūšanas iespēju.

Atsitieni rodas ierīces nepareizas lietošanas rezultātā un/vai nepareizu darba procedūru vai darba apstākļu dēļ, un no tā var izvairīties, ievērojot turpmākos piesardzības pasākumus:

- **Cieši turiet zāģi ar abām rokām tā, lai 1kšķis un pārējie pirksti aptvertu ķēdes zāģa rokturus, un novietojiet savu ķermeni un rokas tādā pozīcijā, kas ļaus jums izturēt atsitiena spēku.** Operators var kontrolēt atsitiena spēku, ievērojot attiecīgus norādījumus. Neatļaidiet ķēdes zāģi.
- **Nestiepieties un nezāģējiet virs plecu līmeņa.** Tas ļaus izvairīties no nejaušas saskarsmes un ļaus labāk kontrolēt ķēdes zāģi neparedzētās situācijās.
- **Lietojiet tikai ražotāja norādītās slīdes un ķēdes.** Neatbilstošas rezerves slīdes un ķēdes var izraisīt ķēdes plīšanu un/vai atsitieni.
- **Ievērojiet norādījumus, ko ražotājumzņēmums ir sniedzis par ķēdes asināšanu un apkopi.** Zāģēšanas

| |
|-----------|
| EN |
| FR |
| DE |
| ES |
| IT |
| NL |
| PT |
| DA |
| SV |
| FI |
| NO |
| RU |
| PL |
| CS |
| HU |
| RO |
| LV |
| LT |
| ET |
| HR |
| SL |
| SK |
| BG |
| UK |
| TR |



dziļuma samazināšana var palielināt atsitienu spēku.

PAPILDU KĒDES ZĀGA DROŠĪBAS BRĪDINĀJUMI

- Pirmoreiz darbinot ierīci, bakļus ieteicams zāgēt uz statīva.
- Nodrošiniet, ka visi aizsargi, rokturi un mizas buferis ir pareizi uzstādīts un ir labā stāvoklī.
- Personām, kas lieto ierīci, ir jābūt labam veselības stāvoklim. Produkts ir smags, tāpēc lietotājam jābūt fiziski labā stāvoklī. Operatoram jāpiemīt modrībai, labai redzei, mobilitātei, līdzsvaram un roku veiktībai. Ja pastāv šaubas, nelietojiet ierīci.
- Nesāciet izmantot ierīci pirms nav atīrīta darba zona, nestāvat uz drošas pamatnes un neesat izplānojis atkāpšanās ceļu no krītoša koka.
- Uzmanieties un ejlas mīgiņas un zāgskaidu izmešiem. Nepieciešamības gadījumā valkājiet masku vai respiratoru.
- Ja strāvas padeves vads tiek bojāts, veiciet apkalpošanu tikai pilnvarotā servisa centrā.
- Rūpējieties, lai jaudas kabelis būtu tīrs un neatrastos zāgēšanas zonas tuvumā. Netīri kabeli var izraisīt ne tikai elektrošoku, bet arī kritienus un pakļupšanu.
- Negrieziet vīnogulāju un/vai nelielu pamežu (kas diametrā mazāks par 75 mm).
- Darba laikā vienmēr turiet ķēdes zāgi ar abām rokām. Motorzāģis ir jātur stingri, ar pirkstiem aptverot rokturus. Labajai rokai jāatrodas uz aizmugurējā roktura, bet kreisajai uz priekšējā roktura.
- Pirms produkta iedarbināšanas pārliecinieties, ka zāga ķēde nepieskaras nevienam priekšmetam.
- Neizmaniet produktu jebkādā veidā vai neizmantojiet to lai radītu piedziņu jebkādiem pielāgojumiem vai ierīcēm, ko zāģim nav ieteicis produkta ražotājs.
- Operatora tuvumā jāatrodas pirmās palīdzības aptieciņai ar lieliem brūču pārsējiem un līdzekļiem, kā pievērst uzmanību (piemēram, sviļpei). Pietiekami tuvu jāatrodas arī lielāki, visaptverošai aptieciņai.
- Strādājot ar produktu, vienmēr valkājiet aizsargķiveri. Aizsargķivere, kurai ir tīkla nags, var palīdzēt samazināt sejas un galvas traumas risku tad, ja notiek pretsiētiens.
- Nepareizi nospriegota ķēde var nokrist no slīdes, izraisot nopietnu traumu vai nāvi. Ķēdes garums ir atkarīgs no temperatūras. Bieži pārbaudiet nospriegojumu.
- Jums vajadzētu pieradināties lietot jauno ķēdes zāģi, veicot vienkāršus griezumus droši atbalstītā kokā. Rīkojieties tā iekreiz, kad ilgāku laiku neesat darbojies ar zāģi.
- Lai samazinātu kustīgo daļu radītu ievainojumu risku, vienmēr apturiet motoru, izmantojiet ķēdes bremzi un atvienojiet vadu no elektrotīkla. Pārliecinieties, ka visas kustīgās daļas ir pilnīgi apstājušās:
 - pirms atstāt izstrādājumu bez uzraudzības
 - pirms tīrīšanas vai šķēršļu izciršanas
 - pirms pievienojāt vai noņemt piestiprinājumus
 - pirms ierīces pārbaudīšanas, apkopes vai darbināšanas
- Bīstamā apgabala plašums ir atkarīgs no veicamā darba,

kā arī no koka garuma un no apstrādājamā priekšmeta lieluma. Piemēram, koku gāšanai nepieciešama lielāka darba zona nekā citiem zāgēšanas veidiem, t.i. sagarumošanai utt. Operatoram jāapzinās un jākontrolē viss, kas notiek šajā darba zonā.

- Zāgēšanas laikā neturiet ķermeņi vienā līnijā ar sliedi un ķēdi. Ja tomēr izjutīsiet atsitienu, tas palīdzēs izvairīties no galvas vai ķermeņa kontakta ar ķēdi.
- Nevirziet zāģi uz priekšu un atpakaļ, ļaujiet ķēdei veikt savu uzdevumu, uzturiet ķēdi uzasinātu un nemēģiniet ķēdi izstumt caur griezuma vietu.
- Zāģējuma beigās motorzāģis vairs nav jāgrūž. Esiet gatavs noturēt zāga svaru, kad tas pārzāģē koku. Noteikumu neievērošana var izraisīt smagus ievainojumus.
- Neapturiet zāģi zāgēšanas darbības laikā. Darbiniet zāģi līdz tas izņemts no griezuma vietas.

Individuālie aizsardzības līdzekļi

Labas kvalitātes individuālie aizsardzības līdzekļi, kādus izmanto profesionāļi, palīdzēs samazināt operatora ievainojumu gūšanas risku. Darbinot ķēdes zāģi, būtu jāvalkā turpmākās lietas:

Aizsargķivere

- jāatbilst standartam EN 397-11 un jābūt marķētai ar CE zīmi

Dzirdes aizsargs

- jāatbilst standartam EN 352-1 un jābūt marķētai ar CE zīmi

Acu un sejas aizsargs

- jābūt marķētam ar CE zīmi un jāatbilst standartam EN 166 (aizsargbrīļļu gadījumā) vai standartam EN 1731 (sieta viziera gadījumā)

Cimdi

- jāatbilst standartam EN381-7 un jābūt marķētai ar CE zīmi

Kāju aizsargi ("chaps" tipa bikses)

- jāatbilst standartam EN381-5, jābūt marķētiem ar CE zīmi un jānodrošina visaptveroša aizsardzība.

Aizsargzābaki ķēdes zāga lietošanai

- jāatbilst standartam EN ISO 20345:2004 un jābūt marķētam ar vairogu, uz kura attēlots ķēdes zāģis, demonstrējot atbilstību standartam EN 381-3. (Neregulāri lietotāji var izmantot aizsargzābakus ar tērauda purngalu kopā ar aizsargājošām getrām, kas atbilst standartam EN 381-9, ja zeme ir līdzena un pastāv mazs risks pakļupt vai sapīties pamežā)

Jakas ķermeņa augšdaļas aizsardzībai, lietojot ķēdes zāģi

- jāatbilst standartam EN 381-11 un jābūt marķētai ar CE zīmi

NORĀDĪJUMI PAREIZAS METODES IZMANTOŠANAI, VEICOT KOKU GĀŠANU, ATZAROŠANU UN SAGARUMOŠANU

Izpratne par koksnes iekšējiem spēkiem

Izprotot koksnes iekšējo virzienvērsto spiedienu un spriegumu, jūs varat samazināt saspiešanas vai vismaz ar to zāgēšanas laikā rēķināties. Koksnes nospriegojums



nozīmē to, ka šķiedras tiek saplēstas, un, ja šajā zonā tiek veikts "izzāgējums" vai iegriezums, tam būs tendence atvērties, zāģim virzoties cauri. Ja baļķis ir atbalstīts uz statīva, bet tā gals neatbalstīts karājās pār malu, baļķa gala svara dēļ, kas nostiepj šķiedras, augšējā virsma tiek nospriegota. Līdzīgi tiks saspiesta baļķa apakšējā puse, saspiežot kopā šķiedras. Izdarot griezumus šajā zonā, izzāgējumam būs tendence zāģēšanas laikā aizvērties. Šajā gadījumā tiktu saspiests asmens.

Koka gāšana

Skaftī 273 - 274. lappusi.

Ja sagarumošanas un koku gāšanas darbības vienlaicīgi veic divas vai vairākas personas, gāšanas darbības būtu jāveic tādā attālumā no sagarumošanas darbībām, kas ir divreiz lielāks par koka garumu, kas tiek gāzts. Kokus nevajadzētu gāzt tādā veidā, kas var apdraudēt kādu personu, pārraut kādu komunālo tīklu vai radīt bojājumus tīklam. Ja koks tomēr trāpa kādam komunālajam tīklam, tas nekavējoties jāpaziņo attiecīgajam uzņēmumam. Ja jūs zāģējat, stāvēdams uz nogāzes, tad vienmēr uzturieties augstāk par koku, jo tas pēc nogāšanas var velties vai slīdēt lejup pa nogāzi.

Pirms uzsākt zāģēšanu jāizplāno atkāpšanās ceļš un tas vajadzības gadījumā jāattīra. Atkāpšanās ceļam jābūt vērstat atpakaļ un diagonāli pret sagaidāmās krišanas līnijas aizmuguri.

Pirms uzsākt koku gāšanu ņemiet vērā koka dabisko liekšanās virzienu, lielāko zaru novietojumu un vēja virzienu, lai priekš, kurā virzienā kritīs koks.

Atīrīet koku no netīrumiem, akmeņiem, vaļīgas mizas, naglām, skavām un vadiem.

Nemēģiniet gāzt kokus, kas ir sapuvuši vai kurus bojājis vējš, uguns, zibens utt. Tas ir ārkārtīgi bīstami, šādu darbu jāveic tikai profesionāliem mežstrādniekiem.

- Koka aizzāgējums pirms gāšanas

Skaftī 273 - 274. lappusi.

Veiciet iezāģējumu 1/3 diametra dziļumā, perpendikulāri krišanas virzienam. Vispirms veiciet zemāko horizontālo iegriezumu. Tas palīdzēs izvairīties no zāģa ķēdes vai slīdes saspišanas, veicot otro iegriezumu.

- Gāšanas zāģējums

Skaftī 273 - 274. lappusi.

Veiciet gāšanas zāģējumu vismaz 50 mm augstāk par horizontālo aizzāģējumu. Gāšanas zāģējumam jābūt paralēlam horizontālajam aizzāģējumam. Veicot gāšanas zāģējumu, atstājiet pietiekami daudz koksnes, kas kalpos kā enģe. Koka enģe neļaus kokam pagriezties un nokrist nepareizā virzienā. Nepārgrieziet enģi.

Aizzāģējot līdz enģei, kokam vajadzētu sākt krist. Ja pastāv iespēja, ka koks varētu nekrist vēlamajā virzienā vai varētu šūpoties atmuguriski un saspīest zāģa ķēdi, pārtrauciet zāģēšanu pirms gāšanas zāģējuma pabeigšanas un, izmantojot koka, plastmasas vai alumīnija ķīļus, atveriet griezumvietu un nogāziet koku gar vēlamo kritiena līniju.

Kokam sākot krist, izņemiet ķēdes zāģi no griezumvietas, apturiet motoru, nolieciet ķēdes zāģi un izmantojiet plānoto atkāpšanās ceļu. Uzmanieties no

krišošiem zariem un saglabājiet pamatu zem kājām.

Balsta sakņu apzāģēšana

Skaftī 274. lappusi

Par balsta sakni sauc lielu koka sakni, kas atiet no stumbra nedaudz virs zemes. Šādas lielas saknes ir jāapzāģē, pirms sākat gāzt koku. Vispirms veidojiet līmenisku zāģējumu balsta saknē, pēc tam statenisku. To, kas nozāģēts, aizvāciet no darba vietas. Kad balsta saknes ir novāktas, ķerieties pie koka gāšanas.

Vilkšanas un grūšanas spēks

Uz motorzāģi iedarbojas spēks, kura virziens ir pretējs tam virzienam, kādā kustas ķēde. Tādēļ, lietotājam ir jābūt gatavam kontrolēt izstrādājuma tendenci tikt rautam prom (kustība uz priekšu), zāģējot uz stieņa apakšējās malas. Vienmēr stingri atspiediet atdures piķi, lai izvairītos no šādas kustības. Izstrādājums var tikt rauts atpakaļ (lietotāja virzienā), zāģējot gar augšējo malu. Lai to novērstu, pārliecinieties, ka, griežot gar augšējo malu, ķēde netiek iespiesta.

Zāģis iestrēdzis griezumā

Apturiet ķēdes zāģi un padariet to drošu. Necentieties ar spēku izvilkāt ķēdi no griezumā, jo ķēde var notrūkt un atsīties atpakaļ, trāpot operatoram. Šāda situācija parasti notiek tāpēc, ka koks ir nepareizi atbalstīts un piespiež griezumā vietu, tādējādi saspiežot asmeni. Ja, noregulējot atbalstu, netiek atbrīvota sliede un ķēde, izmantojiet koka ķīļus vai sviru, lai atvērtu griezumā vietu un atbrīvotu zāģi. Nekad nemēģiniet ieslēgt ķēdes zāģi, ja sliede jau atrodas griezumā vai izzāģējumā.

Noslīdēšana/atlēkšana

Ja ķēdes zāģis neiegriežas koksnē zāģēšanas laikā, tā sliede var sākt lēkāt vai bīstami noslidēt gar baļķa vai zara virsmu, radot iespēju zaudēt kontroli pār ķēdes zāģi. Lai novērstu vai samazinātu noslīdēšanu vai atlēkšanu, vienmēr turiet zāģi ar abām rokām. Pārliecinieties, ka zāģa ķēde griešanas laikā veido ceļu.

Nekad ar ķēdes zāģi negrieziet mazus, lokanus zarus vai krūmus. To lielums un lokanus var viegli likt zāģim atlēkt jūsu virzienā vai saspīest ar pietiekamu spēku, lai izraisītu atsitieni. Šāda veida darbam vislabākie instrumenti ir rokas zāģis, atzarošanas šķēres, cirvis un citi rokas instrumenti.

Baļķa sagarumošana

Skaftī 275. lappusi

Sagarumošana ir baļķa sazāģēšana noteiktos garumos. Ir svarīgi pārliecināties, ka stāvat uz stingras pamatnes un jūsu svars ir vienmērīgi sadalīts uz abām kājām. Ja iespējams, baļķi vajadzētu pacelt un atbalstīt, izmantojot zarus, baļķus vai ķīļus. Ievērojiet vienkāršos norādījumus vieglai zāģēšanai. Ja baļķis ir atbalstīts visā tā garumā, to jāzāģē no augšpuses (sagarumošana no augšas).

Ja baļķis ir atbalstīts vienā galā, veiciet 1/3 dziļu iezāģējumu pa diametru no apakšpuses (sagarumošana no apakšas). Tad pabeidziet zāģēšanu, veicot iezāģējumu no augšas pretī pirmajam griezumam.

Ja baļķis ir atbalstīts abos galos, veiciet 1/3 dziļu iezāģējumu pa diametru no augšpuses (sagarumošana no

| |
|-----------|
| EN |
| FR |
| DE |
| ES |
| IT |
| NL |
| PT |
| DA |
| SV |
| FI |
| NO |
| RU |
| PL |
| CS |
| HU |
| RO |
| LV |
| LT |
| ET |
| HR |
| SL |
| SK |
| BG |
| UK |
| TR |



augšas). Tad pabeidziet zāģēšanu, veicot 2/3 iezāģējumu no apakšas pret pirmajam griezumam.

Veicot sagarumošanu uz slīpas virsmas, vienmēr stāviet augstāk par balķi. Lai saglabātu pilnīgu kontroli, zāģējot šķērsām, tuvu zāģēšanas beigām samaziniet zāģēšanas spiedienu, nesamazinot ķēdes zāģa rokturu satvērienu. Neļaujiet ķēdei saskarties ar zemi. Kad zāģēšana pabeigta, pirms ķēdes zāģa kustināšanas ļaujiet zāģa ķēdei apstāties. Vienmēr apturiet motoru pirms uzsākat darbu ar nākamo koku.

Koka atzarošana

Skatīt 276. lappusi

Atzarošana ir zaru nozāģēšana kritušam kokam. Atzarošanas laikā atstājiet lielos zemākos zarus balķa atbalstīšanai pret zemi. Nozāģējiet mazākos zarus ar vienu griezienu. Lai izvairītos no ķēdes zāģa sapīšanās, nospriegotos zarus vajadzētu griezt virzienā no apakšas uz augšu.

Atsperīgi krūmi

Skatīt 276. lappusi

Par nospriegotu balsteni var saukt zaru, izgāztu celmu vai krūmu, kuru ar savu svaru ir saliecis kāds cits koks tā, ka balstenis strauji atbrīvojas no sprieguma, ja pārzāģē vai aizvāc to koku, kas rada balsteņa nospriegojumu.

Izgāztam nozāģēta koka celmam, kad to zāģējot atdala no stumbra, ir spēcīga tieksme atbrīvoties no sprieguma un atgriezties stateniskā stāvoklī. Ar nospriegotiem balsteņiem ir jārikojas uzmanīgi, jo tie var būt bīstami! Nemēģiniet zāģēt likus zarus un celmus, kas atrodas zem spiediena, ja vien jūs neesat profesionāli apmācīts un kompetents tā rīkoties.

BRĪDINĀJUMS

Nospriegoti balsteņi ir bīstami, jo tie var ar spēku triekties jums virsū un likt jums zaudēt vadību pār motorzāģi. Pat gūt smagus vai nāvējošus savainojumus. To būtu jādara treniņiem zāģa lietotājiem.

TRANSPORTĒŠANA UN UZGLABĀŠANA

Skatīt 281 - 284. lappusi.

- Apturiet produktu un atvienojiet no sprieguma avota. Ļaujiet produktam atdzist, pirms novietot glabāšanai vai transportēt automašīnā.
- Notīriet visus svešķermeņus no izstrādājuma. Uzglabājiet to vēsā, sausā un labi vēdinātā vietā, kurai nevar piekļūt bērni. Neglabājiet to vietā, kur tuvumā atrodas korozīvas vielas, piemēram dārza darbos izmantojamās ķīmikālijas vai atsaldēšanai domāta sāls. Neuzglabājiet ārpus telpām.
- Pirms ierīces uzglabāšanas vai transportēšanas laikā uzstādiet slīdes vāku.
- Transportējot nostipriniet ierīci, lai tā nekustētos un neapgāztos, jo tas var izraisīt miesas bojājumus un ierīces bojājumus.

APKOPE

Uzturiet ierīci labā darba stāvoklī.

BRĪDINĀJUMS

Lietojiet tikai oriģinālās ražotāja rezerves daļas, piederumus un uzgaļus. Pretējā gadījumā var tikt radīti ievainojumi un parādīts slikts sniegums, kā arī var tikt anulēta garantija.

BRĪDINĀJUMS

Aptarnavimā atlikti būtina itin atīdžiai, todēl rekomenduožame, kad tehninē apžīurā vykdytų kvalifikuotas specialistas. Veiciet apkalpošanu tikai pilnvarotā servisa centrā. Veicot apkopi, lietojiet tikai oriģinālās ražotāja rezerves daļas.

BRĪDINĀJUMS

Atvienojiet izstrādājumu no sprieguma avota, pirms tīrīšanas, regulēšanas vai tā apkopes darbu veikšanas. Pretējā gadījumā var rasties nopietni miesas bojājumi.

- Jūs varat veikt tikai šajā rokasgrāmatā aprakstīto regulēšanu un remontdarbus. Citiem produkta remontiem nogādājiet produktu apkopei tikai pilnvarotā servisa centrā.
- Nepareizas apkopes, tādu drošības ierīču kā ķēdes bremzes, roku aizsargu (priekšējā un aizmugurējā), zobotā atsīteja, ķēdes uztvērēja, slīdes vai atsītiņa samazinātāja izmaiņšanas vai noņemšanas sekas var būt ķēdes zāģa drošības ierīču nepareiza darbība, tāpēc palielinot smagu ievainojumu gūšanas iespēju. Uzturiet produktu profesionāli apkoptu un drošu.
- Lai droši uzasinātu zāģa ķēdi, nepieciešamas prasmes. Tādēļ ražotājs iesaka nodilušas vai trulas ķēdes nomainīt ar jaunām, iegādājoties to pilnvarotā servisa centrā. Daļas numurs ir norādīts šīs rokasgrāmatas iekārtās specifikāciju tabulā.
- Ievērojiet norādījumus par eļļošanu, ķēdes nospriegojuma pārbaudi un regulēšanu.
- Pēc katras lietošanas reizes notīriet precī ar mikstu, sausu drāniņu.
- Bieži un regulāri pārbaudiet visu uzgriežņu, bultskrūvju un skrūvju stingrību, lai pārliecinātos, vai aprikojums ir drošā darba stāvoklī. Jebkura bojāta detaļa jānodod remontam vai nomainītai pilnvarotā apkopes centrā.

OBJEKTĪVIE RISKI

Pat ka prece ir lietotā kā noteikts, nav iespējams pilnībā novērst noteiktus riska faktorus. Turpmāk norādītie riski var rasties lietošanas laikā un operatoram īpaša uzmanība jāpievērš, lai izvairītos no turpmāk minētā:

- Vibrācijas radīts ievainojums
 - Vienmēr izmantojiet darbam paredzēto instrumentu. Izmantojiet paredzētos rokturus. Ierobežojiet darba laiku un iedarbību.

- Saksarsme ar troksni var radīt dzirdes traucējumus.
 - Valkājiet ausu aizsargu un ierobežojiet saksarsmi.
- Saksarsme ar atklātajiem ķēdes zobiem (iegriezuma briesmas).
- Vadošās slīdes neparedzēta, aprauta kustība vai atsitieni (iegriezuma risks).
- No zāģa ķēdes izmestas daļas (sagriešanās/sadursšanās bīstamība).
- No apstrādājamā materiāla izmestas daļas (koka skaidas, šķembas).
- Zāģskaidu un daļiņu ielpošana.
- Ādas saksare ar eļļu.

RISKA SAMAZINĀŠANA

Ir ticis ziņots, ka vibrācijas no rokas instrumentiem atsevišķos cilvēkos var veicināt kaiti, ko sauc par Reino sindromu. Simptomi var ietvert pirkstu tinkšķēšanu, nejutīgumu un nobālēšanu, parasti aukstā laikā. Tiek uzskatīts, ka tradicionālie faktori, aukstums un mitrums, uzturs, smēķēšana un darba prakse sekmē šo simptomu attīstību. Operators var veikt pasākumus, lai iespējami samazinātu vibrācijas efektu:

- Aukstā laikā ķermenim jābūt siltam. Darbinot ierīci, nēsājiet cimdus, lai rokas un plaukostas locītavas būtu siltas. Ir pētījumi, ka auksts laiks ir galvenais faktors, kas veicina Reino sindromu.
- Ik pēc laika apturiet darbu un veiciet vingrinājumus, kas uzlabo asins cirkulāciju.
- Strādājot jābūt biežiem pārtraukumiem. Ierobežojiet iedarbības ilgumu dienā.
- Aizsargcimdi, kas pieejami pie profesionāliem ķēdes zāģu mazumtirgotājiem, ir īpaši paredzēti ķēdes zāģa izmantošanai, sniedzot aizsardzību un labu satvērienu, kā arī samazina roktura vibrāciju.

Ja jūs izjūtat kādu no šiem simptomiem, nekavējoties apturiet ierīces lietošanu un sazinieties ar ārstu par šiem simptomiem.

▲ BRĪDINĀJUMS

Ilgstoša preces lietošana var radīt ievainojumus vai pasliktināt jau esošos. Ilgstoši lietojot jebkuru instrumentu, pārliecinieties, ka tiek veikti regulāri pārtraukumi.

PAZĪSTIET SAVU IERĪCI

Skatīt 267. lappusi

1. Zāģēšanas ķēde
2. Ķēdes vadītājs
3. Priekšējais roksargs jeb ķēdes bremze
4. Priekšējais rokturis
5. Slēdža atbloķēšanas poga
6. Aizmugurējais rokturis
7. Atsitēja dzelzšņi
8. Eļļas tvertnes vāciņš
9. Auklas aizturis
10. Slēdža mēlīte
11. Zobrata vāks

12. Ķēdes spriegojums / Vadotnes bloķējošā poga
13. Slīdes vāks
14. Ķēdes tvērējs

DROŠĪBAS IERĪCES

Ķēde ar mazu prettriecienu tieksmi

Zāģa ķēde ar zemu atsitienu palīdz samazināt atsitiena iespējamību.

Pie katra asmenīša ir dziļuma ierobežotājs, un tas palīdz samazināt prettriecienu spēku, jo neļauj pārāk dziļi iegrimt asmenīšiem, kad tie atrodas vietā, kur izraisās prettrieciens. Lietojiet tikai ražotāja ieteiktās rezerves sliežu un ķēžu kombinācijas.

Esiet divtik modri, kad strādājat ar svaigi uzasinātu ķēdi, jo asināšanas dēļ samazinās ķēdes spēja mazināt prettriecienu. Savas drošības dēļ nomainiet zāģa ķēdes, ja pasliktinās zāģēšanas sniegums.

Atsitēja dzelzšņi

Integrētie atsitēja dzelzšņi var tikt izmantoti kā rotācijas atbalsta punkts veicot zāģēšanu. Tas palīdz zāģēšanas laikā saglabāt ķēdes zāģa stabilitāti. Veicot zāģēšanu, pagrūdiet mašīnu uz priekšu līdz mizas buferis ir iedūries koka malā, tad, pavirzot aizmugurējo rokturi uz augšu vai leju griešanas līnijas virzienā, var samazināt zāģēšanas fizisko slodzi.

Ķēdes vadītājs

Parasti vadotnēm ar maza rādiusa uzgaļiem ir mazāks atsitiena risks. Ieteicams izmantot sliedi un atbilstošu ķēdi, kas ir pietiekami gara darba veikšanai. Garākas slīdes palielina risku zāģēšanas laikā zaudēt kontroli. Regulāri pārbaudiet ķēdes nospirogojumu. Griežot mazākus zarus (īsaķus par slīdes garumu), ja nospirogojums ir nepareizs, ķēdei pastāv lielāka iespējamība nokrist.

Ķēdes bremze

Ķēdes bremze ir paredzēta tam, lai varētu ātri apturēt ķēdes kustību. Ķēdei ir uzreiz jāapstājas, kad bremzes svira jeb roksargs tiek nospiests uz priekšu. Ķēdes bremze nenovērš prettriecienu. Tas tikai samazina ievainojumu gūšanas risku, ja atsitiena laikā slīde saksaras ar operatora ķermeni. Pirms katras lietošanas reizes jāpārbauda, vai ķēdes bremze pareizi darbojas gan darbības, gan bremzēšanas pozīcijā.

Ķēdes tvērējs

Ķēdes uztvērējs novērš ķēdes mešanu atpakaļ, lietotāja virzienā, ja ķēde nokrīt vai pārplīst.

MONTĀŽA

▲ BRĪDINĀJUMS

Ja kādas detaļas ir bojātas vai iztrūkst, nedarbiniet šo ražojumu līdz visas detaļas ir apmainītas. Šī brīdinājuma neievērošanas rezultātā var rasties nopietni savainojumi.

ZĀGA KĒDES UN SLIEDĒS UZSTĀDĪŠANA

Skatīt 268 - 269. lappusi.

1. Atvienojiet elektrotīkla kontaktdakšu. Lietojiet aizsargcimdus.
2. Atskrūvējiet sliedes pievilkšana pogu un noņemiet ķēdesrata aizsargu.
3. Zāga ķēdei jābūt novietotai ķēdes rotācijas virzienā. Ja tie ir vērsti pretējā virzienā, tad apvēršiet ķēdi.
4. Ievietojiet ķēdes piedziņas izcilņus sliedes rievā.
5. Novietojiet ķēdi tā, lai tā veidotu loku ķēdes vadīklas tuvākajā galā.
6. Turiet ķēdi vietā uz sliedes un novietojiet cilpu ap piedziņas zobratu. Nolaidiet sliedi zemāk, lai skrūve ir izbīdīta caur atveri pievienotajā ķēdes nospriegošanas mehānismā.
7. Uzlieciet vietā zobrata vāku un tad pievelciet ķēdes sprieguma/slides fiksācijas pogu, griežot to pulksteņrādītāja virzienā, līdz tā nofiksējas. Pārbaudiet ķēdes spriegojumu regulāri. Ķēde ir pareizi nospriegota, ja starp ķēdes griežējzobiem un sliedi ir 3 līdz 4 mm liela atstarpe. Slides apakšpusēs vidū pavelciet ķēdi uz leju (prom no slides) un izmēriet attālumu starp sliedi un ķēdes griežējzobiem.
8. Pievelciet un nofiksējiet ķēdes spriegotāja/slides fiksācijas pogu, griežot to pulksteņrādītāja virzienā.

KĒDES NOSPRIEGUMA IESTATĪŠANA

Skatīt 279. lappusi

1. Atvienojiet iekārtu no strāvas padeves. Lietojiet aizsargcimdus.
2. Lai pielāgotu ķēde spriegojumu, atlaidiet līdz galam ķēdes spriegotāja/slides fiksācijas pogu, tad pievelciet ķēdes sprieguma/slides fiksācijas pogu, griežot to pret pulksteņrādītāja virzienā, līdz tā nofiksējas. Pārbaudiet ķēdes spriegojumu regulāri. Ķēde ir pareizi nospriegota, ja starp ķēdes griežējzobiem un sliedi ir 3 līdz 4 mm liela atstarpe. Slides apakšpusēs vidū pavelciet ķēdi uz leju (prom no slides) un izmēriet attālumu starp sliedi un ķēdes griežējzobiem.
3. Pievelciet un nofiksējiet ķēdes spriegotāja/slides fiksācijas pogu, griežot to pulksteņrādītāja virzienā.
PIEZĪME: Pārliecinieties, ka sliede un ķēdes spriegošnas mezgls brīvi kustās, tajos nav netīrumu un zāga ķēde ir pareizi aplikta ap zobratu. Ja ķēde ir pārāk novilkta vai pārāk vaļīga pēc ķēdes spriegotāja/slides fiksatora novilkšanas, pārbaudiet vai sliede un ķēdes spriegošnas mezgls ir tīrs un pareizi salikts. Ja nepieciešams, noņemiet zobrata vāku un sliedi, lai tos iztīrītu, pēc tam salieciet daļas atpakaļ.

EKSPLUATĀCIJA

KĒDES SMĒREĻĻAS PIEVIENOŠANA

Skatīt 269. lappusi

⚠ BRĪDINĀJUMS

Nekad nedarbiniet zāgi bez smēreļļas. Ja zāga ķēde tiek darbināta bez smēreļļas, sliede un zāga ķēde var tikt bojāta. Ir svarīgi regulāri pārbaudīt eļļas līmeni eļļas līmeņa rādītājā, pirms sākt lietot ķēdes zāgi.

1. Notīriet virsmu ap eļļas uzpildes atveres vāciņu, lai novērstu piesārņojumu.
2. Atskrūvējiet un noņemiet vāciņu no eļļas tvertnes.
3. Ielejiet eļļu eļļas tvertnē un pārbaudiet eļļas līmeņrādi. Pārļieciniet, ka eļļas uzpildes laikā eļļas tvertnē neiekļūst netīrumi.
4. Uzlieciet atpakaļ eļļas uzpildes atveres vāciņu un pievelciet to. Noslaukiet izplūšo eļļu.
5. Vienreiz pilnībā piepildot eļļas tvertni, jūs zāgi varēsiet izmantot 12 - 18 minūtes.

KĒDES ZĀGA TURĒŠANA

Skatīt 269. lappusi

Vienmēr turiet ķēdes zāgi, labajai rokai atrodoties uz aizmugurējā roktura, bet kreisajai rokai - uz priekšējā roktura. Satveriet abus rokturus tā, lai īkšķi un pirksti aptver rokturus. Pārliecinieties, ka labā roka ir satvērusi priekšējo rokturi, īkšķim atrodoties apakšā.

⚠ BRĪDINĀJUMS

Rūpējieties, lai jaudas kabelis būtu tīrs un neatrastos zāgēšanas zonas tuvumā. Netīri kabeļi var izraisīt ne tikai elektrošoku, bet arī kritienus un pakļupšanu.

KĒDES ZĀGA IEDARBINĀŠANA

Skatīt 269. lappusi

1. Pievienojiet produktu sprieguma avotam. Pārliecinieties, vai ķēdes bremze ir darbības pozīcijā, pavelkot atpakaļ aiz sviras/rokas aizsarga.
2. Lai iedarbinātu izstrādājumu: Nospiediet mēlītes atbloķētāju, tad nospiediet ieslēgšanas/izslēgšanas slēdža mēlīti.

KĒDES BREMZES PĀRBAUDE UN DARBĪBA

1. Ieslēdziet ķēdes bremzi, pagriežot kreiso roku ap priekšējo rokturi. Izmantojot rokas aizmuguri, pastumiet ķēdes bremzes sviru/rokas aizsargu slides virzienā, kamēr ķēde strauji rotē. Ķēdei jāpārtrauc griezties nekavējoties. Vienmēr turiet abas rokas uz zāga rokturiem.
2. Atiestatiet ķēdes bremzi atpakaļ darbības pozīcijā, satverot ķēdes bremzes sviras/rokas aizsarga virspusi un pavelkot to uz priekšējā roktura pusi līdz atskan klikšķis.

⚠ BRĪDINĀJUMS

Ja ķēdes bremze nekavējoties neaptur ķēdi, vai tā nepaliek darba stāvoklī bez papildu palīdzības, nogādājiet produktu remontā pilnvarotā servisa centrā pirms to izmantot atkal.

ZĀGA ĶĒDES UN SLIEDĒS NOMAIŅA

Skatīt 277 - 278. lappusi.

1. Atvienojiet iekārtu no strāvas padeves. Lietojiet aizsargcimdus.
2. Atlaidiet ķēdes spriegotāja/sliedes fiksācijas pogu, griežot to pret pulksteņrādītāja virzienā, līdz zobrata vāks paliek vaļīgs.
3. Noņemiet zobrata vāku. Izņemiet sliedi un zāga ķēdi no ierīces.
4. Izskrūvējiet skrūvi, kas notur zāga sliedi pie ķēdes spriegotāja mezgla. Utilizējiet izmantoto sliedi un zāga ķēdi pareizā veidā.
5. Uzmontējiet ķēdes spriegojuma mezglu uz jaunās šinas un pievelciet skrūvi. Novietojiet jauno ķēdi uz sliedes pareizajā virzienā un pārlicinieties, ka ķēdes posmi pieguļ sliedes gropēm.
6. Pievienojiet sliedi ķēdes zāģim un aptiniet ķēdi ap piedziņas zobratu. Uzlieciet zobrata vāku atpakaļ vietā.
7. Pievelciet un nofiksējiet ķēdes spriegotāja/sliedes fiksācijas pogu, griežot to pulksteņrādītāja virzienā.
 Ķēde ir pareizi nospriegota, ja starp ķēdes griezējzobiem un sliedi ir 3 līdz 4 mm liela atstarpe. Sliedes apakšpusē vidū pavelciet ķēdi uz leju (prom no sliedes) un izmēriet attālumu starp sliedi un ķēdes griezējzobiem.
 Noregulējiet ķēdes nospriegojumu. Skatīt sadaļu "Ķēdes nospriegojuma regulēšana".

⚠ BRĪDINĀJUMS

Ja ķēde nav labi uzasināta, tad palielinās varbūtība izraisīt prettriecienu.

⚠ BRĪDINĀJUMS

Ja sabojāta ķēde netiek nomainīta vai salabota, tad strādnieks ir pakļauts bīstamībai - var gūt smagus savainojumus.

⚠ BRĪDINĀJUMS

Ķēde ir ļoti asa. Noteikti valkājiet aizsargcimdus, kad veicat tās apkopi!

ĶĒDES BREMZES PĀRBAUDE UN TĪRĪŠANA

Skatīt 280. lappusi

- Vienmēr uzturiet ķēdes bremzes mehānismu tīru, viegli noslaukot netīrumus no mehānisma.
- Pēc tīrīšanas vienmēr pārbaudiet ķēdes bremzes veikspēju. Skatiet papildu informāciju šīs rokasgrāmatas sadaļā "Darbība - ķēdes bremzes pārbaudīšana un izmantošana".

APKOPES GRAFIKS

| Ikdienas pārbaude | |
|--------------------------|-------------------------|
| Elektrības vada bojājumi | Pirms katras lietošanas |
| Sliedes eļļošanu | Pirms katras lietošanas |

| | |
|-----------------------------|--|
| Ķēdes spriegojums | Bieži un pirms katras lietošanas reizes |
| Ķēdes asumu | Pirms katras lietošanas reizes, vizuāla pārbaude |
| Vai nav bojājumu | Pirms katras lietošanas |
| Vai nav vaļīgi stiprinājumi | Pirms katras lietošanas |
| Ķēdes bremzes funkcija | Pirms katras lietošanas |
| Apskatiet un noīriet | |
| Sliede | Pirms katras lietošanas |
| Visu zāģi | Pēc katras lietošanas |
| Ķēdes bremze | Ik pēc 5 stundām* |

*Darba stundas

UZ PRECES ESOŠIE SIMBOLI



Drošības brīdinājums



Lai samazinātu ievainojumu risku, lietotājam ir jāizlasa un jāizprot operatora rokasgrāmata pirms šī izstrādājuma lietošanas.



Izmantojiet acu, ausu un galvas aizsargu.



Kad izmantojat šo izstrādājumu, lietojiet neslīdošus aizsargapavus.



Valkājiet neslīdošus darba cimdus.



Pirms apkopes veikšanas vai gadījumā, ja kabelis ir bojāts vai sagriezts, nekavējoties atvienojiet kontaktdakšu no elektrotīkla.



Uzmanieties no ķēdes zāģa atslīdiena un sargieties no stieņa uzgaļa.



Nepakļaujiet lielum vai mitriem apstākļiem.



Strādājot motorzāģi turiet ar abām rokām.



Motorzāģi darba laikā nedrīkst turēt tikai ar vienu roku.



Darbarīks atbilst visām normām ES valstī, kurā tas ir iegādāts.



EurAsian atbilstības marķējums



2. klases instruments, dubulta izolācija

EN
FR
DE
ES
IT
NL
PT
DA
SV
FI
NO
RU
PL
CS
HU
RO
LV
LT
ET
HR
SL
SK
BG
UK
TR



Ukrainas apstiprinājuma zīme



Izlietotie elektroprodukti nedrīkst tikt izmesti kopā ar mājaisaimniecības atkritumiem. Lūdzu, nododiet tos attiecīgajās atk ār totas izmantošanas vietās. Sazinieties ar savu vietējo varas pārstāvi vai izplatītāju, lai noskaidrotu, kur iespējama atkārtota pārstrāde.



Garantētais skaņas jaudas līmenis ir 104 dB (RCS1935B)



Garantētais skaņas jaudas līmenis ir 105 dB (RCS2340B)



Stieņu un ķēžu smērviela



Ķēdes bremze

Grieziet, lai nofiksētu vai atlaistu zāģa sliedi



Bloķētājs



Atbloķēt



Ķēdes kustības virziens. (Marķēts zem zobraata vāka)



Valkājiet ķermeņa augšdaļas aizsargu.



Valkājiet kāju aizsargu.



Apturēt dzinēju.

Lai izskaidrotu risku, kas saistīti ar izstrādājumu, līmeni, paredzēti šādi norādījuma vārdi un jēdzieni.

⚠ BĪSTAMI

Norāda draudošo bīstamo situāciju, kas, ja no tās neizvairās, var novest pie nāves vai nopietnas traumas.

⚠ BRĪDINĀJUMS

Norāda potenciālo bīstamo situāciju, kas, ja no tās neizvairās, var novest pie nāves vai nopietnas traumas.

⚠ UZMANĪBU

Norāda potenciālo bīstamo situāciju, kas, ja no tās neizvairās, var novest pie nelielas vai vidējas traumas.

UZMANĪBU

Bez drošības brīdinājuma apzīmējuma

Norāda uz situāciju, kas var radīt īpašuma bojājumus.

SIMBOLI ŠAJĀ ROKASGRĀMATĀ



Pievienojiet enerģijas avotam



Atvienojiet no enerģijas avota



Atsevišķi nopērkamās daļas vai piederumi



Piezīme



Brīdinājums



Valkājiet aizsargbrilles un sejas aizsargu.

Gaminant šį grandininį pjūklą didžiausia svarba buvo teikiama jo saugai, efektyvumui ir patikimumui.

NAUDOJIMO PASKIRTIS

Grandininis pjūklas skirtas naudoti tik lauke. Saugos sumetimais, gaminys turi būti tinkamai valdomas visada dirbant abiem rankomis.

Grandininis pjūklas yra skirtas pjauti tokio skersmens šakas, rąstus ir tašus, kokį nustato kreipiamosios juostos pjovimo ilgis. Jis skirtas pjauti tik medieną. Jį galima naudoti tik namų ūkyje suaugusiems, kurie yra tinkamai apmokyti ir žino, kokių pavojų gali kilti naudojantis įrenginiu ir kokių prevencinių priemonių / veiksmyų reikia imtis.

Grandininio pjūklo negali naudoti vaikai ar asmenys, nedėvintys atitinkamų asmeninės apsaugos priemonių ir aprangos. Grandininis pjūklas nėra skirtas naudoti atliekant profesionalius medžių kirtimo darbus.

Nenaudokite kitais tikslais.

⚠️ ĮSPĖJIMAS

Būtina laikytis saugos reikalavimų naudojantis šiuo produktu. Savo bei aplinkinių saugumui turite perskaityti ir gerai suprasti šias instrukcijas, tik tuomet naudoti krūmapjovę. Jums reikėtų dalyvauti profesionaliai organizuotuose saugos kursuose, kuriuose mokoma kaip saugiai naudotis grandininiais pjūklais bei juos prižiūrėti, aiškinama, kokios yra prevencinės bei pirmosios pagalbos priemonės. Išsaugokite šią instrukciją ateičiai.

⚠️ ĮSPĖJIMAS

Grandininiai pjūklai yra potencialiai pavojingi įrankiai. Nelaimingi atsitikimai, kurie įvyksta naudojant grandininis pjūklus, dažnai baigiasi galūnių netekimo ar mirties atvejais. Pavojų kelia ne tik patys grandininiai pjūklai. Žūti galima nuo nukritusios šakos, virstančio medžio ar nusiritusio rąsto. Papildomą pavojų kelia ligoti ar supuvę medžiai. Būtina įvertinti savo galimybes saugiai atlikti užduotį. Kilus abejonėms, palikite šiuos darbus atlikti profesionaliam pažeistų medžių kirtėjui.

BENDRI ELEKTRINIO ĮRANKIO SAUGOS ĮSPĖJIMAI

⚠️ ĮSPĖJIMAS

Perskaitykite visus saugos įspėjimus ir visą instrukciją. Įspėjimų ir instrukcijų nesilaikymas gali sukelti elektros smūgį, gaisrą ir (ar) rimtus sužeidimus.

Saugokite šiuos įspėjimus ir nurodymus, kad galėtumėte vadovautis jais vėliau.

Įspėjimuose nurodytas terminas „elektrinis įrankis“ reiškia elektrinio įrankio naudojimą, jį prijungus prie maitinimo tinklo (laidu) arba maitinimo baterijos (belaideis).

DARBO APLINKA

- Darbo vieta turi būti švari ir gerai apšviesta. Nelaimingi atsitikimai įvyksta netvarkingose ar tamsiose

vietose.

- Nenaudokite elektrinių įrankių, jei šalia yra degios ir sprogti galinčios medžiagos (skysčiai, dujos ar dulksės). Elektriniai įrankiai kibirkščiuoja ir gali uždegti dulkes arba garus.
- Neleiskite vaikams ir šalia esantiems asmenims būti šalia įjungto elektrinio įrankio. Išsiblaškę galite prarasti kontrolę.

ELEKTROS SAUGA

- Elektrinio įrankio kištukai turi atitikti kištukinį lizdą. Niekada nekeiskite kištuko. Su įžemintais (įžeminimo) elektriniais įrankiais niekada nenaudokite kištukų adapterių. Nepakeisti kištukai ir atitinkantys lizdai sumažina elektros smūgio pavojų.
- Stenkitės nesiliesti prie įžemintų ar įžeminimo paviršių (vamzdžių, radiatorių, grandinių / viryklių, šaldytuvų). Įžeminus savo kūną, padidės elektros smūgio pavojus.
- Gaminio negalima naudoti ar laikyti Lietuvoje ar drėgmėje. Dėl vandens, patekusio į elektrinį įrankį, padidėja elektros smūgio pavojus.
- Laidą naudokite pagal jo paskirtį. Niekada jo nenaudokite elektriniams įrankiams pernešti, tempti ar išjungti. Saugokite maitinimo laidą nuo karščio, tepalų, aštrių kampų ir judančių detalių. Pažeisti ar supainioti laidai padidina elektros smūgio galimybę.
- Dirbdami su elektriniu įrankiu lauke, naudokite tik lauke naudoti skirtus ilginamuosius laidus. Naudojant tinkamą laukui laidą sumažinama elektros smūgio tikimybė.
- Jei būtina naudotis elektriniu įrankiu drėgnomis oro sąlygomis, naudokite likutinės srovės prietaisą (RCD). Naudojant RCD sumažinama elektros smūgio tikimybė.

ASMENINĖ SAUGA

- Būkite budrūs ir stebėkite, ką darote, bei sąmoningai naudokite elektrinį įrankį. Nesinaudokite įrankiu, kai esate pavargę ar paveikti narkotinių medžiagų, alkoholio ar vaistų. Neatidumas darbo su elektriniu įrankiu metu gali sukelti sunkius sužeidimus.
- Naudokite asmeninės apsaugos įrangą. Visada dėvėkite akių apsaugos priemones. Apsauginės priemonės, pavyzdžiui, apsauginės kaukės, batai neslidžiais padais, šalmas arba klausos apsaugos priemonės, naudojamos atitinkamomis darbo sąlygomis, sumažins pavojų susižaloti.
- Saugokitės, kad įrankis netyčia neįsijungtų. Įsitinkite, kad prieš prijungiant įrankį prie maitinimo šaltinio ir (ar) baterijos, pakeliant ar nešant įrankį, jungiklis yra išjungtas. Nešant elektrinį įrankį, uždėjus pirštą ant jungiklio, arba elektrinį įrankį, kurio jungiklis yra įjungtoje padėtyje, gali įvykti nelaimingas atsitikimas.
- Prieš įjungiant elektrinį įrankį, išimkite derinimo raktą ar veržliaraktį. Jei juos paliksite pridėti prie besisukančios įrankio dalies, galite susižaloti.
- Nepersitempkite. Visada tvirtai stovėkite ir

EN
FR
DE
ES
IT
NL
PT
DA
SV
FI
NO
RU
PL
CS
HU
RO
LV
LT
ET
HR
SL
SK
BG
UK
TR

išlaikykite pusiausvyrą. Tai padės geriau kontroliuoti įrankį netikėtų situacijų metu.

- **Dėvėkite tik darbui tinkamus drabužius. Nedėvėkite laisvų, neprigludusių drabužių ir juvelyrinių dirbinių. Saugokitės plaukus, drabužius ir pirštines toliau nuo judančių dalių.** Laisvi drabužiai, papuošalai ar ilgi plaukai gali įsispainioti į judančias įrankio dalis.
- **Jei įrengti dulkių ištraukimo ir surinkimo įrengimai, įsitikinkite, kad jie prijungti ir naudojami tinkamai.** Su dulėmis susijusiam pavojui sumažinti naudokite dulkių surinkimą.

ELEKTRINIO ĮRANKIO NAUDOJIMAS IR PRIEŽIŪRA

- **Nenaudokite per didelės jėgos. Pritaikykite tinkamą elektrinį įrankį atliekamam darbui.** Naudojami pagal paskirtį pagamintą tinkamą elektrinį įrankį, darbą atlikite geriau ir saugiau.
- **Nenaudokite elektrinio įrankio, jei jungiklio negalite įjungti ir išjungti.** Jungikliu nevaldomas elektrinis įrankis yra pavojingas ir jį reikia taisyti.
- **Prieš sureguliuojant įrankį, keičiant atsargines dalis ar sandėliavimą atjunkite laidą nuo maitinimo šaltinio ir (ar) akumulatoriaus.** Tokios saugumo priemonės apsaugos nuo atsitiktinio įrankio įsijungimo.
- **Laikykite elektrinį įrankį vaikams neprieinamoje vietoje ir neleiskite juo naudotis asmenims, kurie nemoka juo naudotis.** Neįgudusiems asmenims elektriniai įrankiai yra pavojingi.
- **Pržiūrėkite elektrinius įrankius. Patikrinkite judančių detalių nesutapimus, sukibimą, ar sumontuotas detales nesulūžusios bei kitą būklę, kuri gali turėti neigiamos įtakos įrankio veikimui. Jei įrankis sugedęs, prieš naudojimą jį reikia suremontuoti.** Nemažai nelaimingų atsitikimų įvyksta dėl netinkamai pržiūrimų elektrinių įrankių.
- **Pjovimo įrankius reikia pastoviai galąsti ir valyti.** Tinkamai pržiūrėti aštriais ašmenimis pjovimo įrankiai mažiau stringa ir juos lengviau valdyti.
- **Naudokite elektrinius įrankius, atsargines detales, gražtus ir t. t., pagal šias instrukcijas ir atsižvelgdami į darbo sąlygas bei turimą atlikti darbą.** Naudokite elektrinį įrankį tik pagal tiesioginę paskirtį, kitaip sukelsite pavojingą situaciją.
- **Rankenos ir suėmimo paviršiai turi būti sausi, švarūs ir nesutepti alyva ar tepalais.** Jeigu rankenos ar suėmimo paviršiai slidūs, krūmaplovę naudoti ir valdyti nesaugu netikėtomis situacijomis.

TECHNINIS APTARNAVIMAS

- **Elektrinį įrankį turi remontuoti tik kvalifikuoti darbuotojai, kurie naudoja identiškas atsargines dalis.** Tai užtikrina elektrinio įrankio saugumą.

PAPILDOMI BENDRIEJI SAUGOS ĮSPĖJIMAI

- Kai kuriuose regionuose taisyklės riboja įrenginio naudojimą. Kreipkitės patarimo į vietos įstaigą.
- Niekada neleiskite naudotis šiuo gaminiu vaikams ar asmenims, nesusipažinusiems su šiomis instrukcijomis. Vietos įstatymai gali apriboti įrengimo operatoriaus amžių.

- Prieš kiekvieną naudojimą patikrinkite, ar tinkamai veikia visi valdikliai ir saugos įtaisai. Nenaudokite elektrinio įrankio, jeigu išjungimo jungiklis nesustabdo variklio.
- Naudodamiesi šiuo gaminiu, dėvėkite visas akių ir ausų apsaugos priemones, tvirtas pirštines ir galvos apsaugos priemonę. Dėvėkite veido kaukę, jei tektų dirbti ten, kur išsiskiria dulksės.
- Nedėvėkite dukšlių drabužių, trumpų kelnų ar papuošalų.
- Ilgus plaukus reikia susegti virš pečių lygio, kad neįsispainiotų į judančias dalis.
- Saugokitės išsiviedžiamų, išskriejančių ar krintančių objektų. Visi pašaliniai asmenys, vaikai ir gyvūnai privalo būti bent 15 m atstumu nuo darbo vietos.
- Dirbkite gerai apšviestoje aplinkoje. Kad pastebėtų galimus pavojus, prietaisu dirbančiam asmeniui turi būti sudarytos gero matomumo sąlygos.
- Klausos apsaugos priemonių naudojimas sumažina įspėjamųjų garsų (ryksmų arba pavojaus signalų) girdėjimo galimybę. Operatorius turi atkreipti ypatingą dėmesį, kas vyksta darbo vietoje.
- Netoliese naudojant panašius prietaisus padidėja pavojus pakenkti klausą ir galimybė kitiems asmenims patekti į darbo zoną.
- Visada tvirtai stovėkite ir išlaikykite pusiausvyrą. Nepersitempkite. Per plačiai užsimojus, galima netekti pusiausvyros ir padidėja atatrakos pavojus.
- Stovėkite toliau nuo visų judančių įrankio detalių.
- Prieš kiekvieną naudojimą apžiūrėkite krūmaplovę. Patikrinkite, ar tinkamai veikia visi valdymo įtaisai, įskaitant grandinės stabdį. Patikrinkite, ar nėra atsipalaidavusių tvirtinamųjų elementų ir ar rankenos tinkamai ir saugiai pritvirtintos. Prieš naudodami prietaisą pakeiskite visas pakeistas dalis.
- Niekada nemodifikuokite prietaiso ir nemontuokite dalių bei priedų, kurias naudoti nepataria gamintojas.
- Maitinimo smailės sukelia įtampos svyravimus ir gali paveikti kitus elektros gaminius, įjungtus į tą pačią maitinimo liniją. Kad įtampos svyravimai būtų mažesni,junkite gaminį į maitinimo tinklą, kurio tariamoji varža mažesnė arba lygi 0,33 Ω. Dėl išsamesnio paaiškinimo kreipkitės į elektros tiekėją.

⚠ ĮSPĖJIMAS

Numetus krūmaplovę, jai stipriai susitrenkus ar pradėjus nejprastai vibruoti, ją reikia nedelsiant sustabdyti ir patikrinti, ar nepakenkta arba nustatyti vibravimo priežastį. Pakenktos dalys turi būti tinkamai sutaisytos arba pakeistos įgaliotame techninio aptarnavimo centre.

- Elektros maitinimas turi būti paduodamas per prietaisą su srovės atjungimo (RCD), kurio išsijungimo srovės riba neturi būti didesnė, nei 30 mA.
- Jei reikia jungti pailginimo laidą, šis laidas turi būti tinkamas naudoti lauko sąlygomis, o srovė atitikti gaminio maitinimo parametrus. Prieš kiekvieną naudojimą patikrinkite, ar krūmaplovė nepakenkta. Naudojant, būtina išvynioti laido ritę, nes susukti laidai

gali perkaisti. Pažeistų pailginimo laidų nereikia taisyti: juos reikia keisti tolygaus tipo laidais.

- Jei pažeidžiamas maitinimo kabelis, prieš naudojant įrenginį reikia jį pakeisti.
- Patikrinkite, ar maitinimo laidas tokioje padėtyje, kad jo nepažeis pjovimo įrankiai, ant jo nebus galima užlipti, suklipti ar kitaip pažeisti ar susižeisti.
- Niekada nekelkite ir neneškite gaminio už elektros laido.
- Niekada netraukite už maitinimo laido norėdami prietaisą išjungti iš maitinimo.
- Saugokite maitinimo laidą nuo karščio, alyvos ir aštrių briaunų.
- Kiekvieną kartą prieš naudojant įrenginį, būtina patikrinti, ar nepažeistas maitinimo laidas. Jeigu yra pažeidimo požymių, siekiant išvengti pavojaus laidą įgaliotame techninės priežiūros centre turi pakeisti kvalifikuotas specialistas.

GRANDININIO PJŪKLO SAUGOS ĮSPĖJIMAI

- **Naudojantis įrenginiu, visos kūno dalys privalo būti atokiai nuo pjovimo grandinės. Prieš paleisdami grandininį pjūklą, būtina patikrinkite, ar pjūklas grandinė nesiliečia su jokiais kitais objektais.** Pjaunant grandininio pjūklą, nors akimirksnį esant neatidėmęs, į pjūklo grandinę gali įsivelti drabužiai ar žmogaus kūno dalys.
- **Grandininį pjūklą laikykite dešiniąja plaštaka paėmę už galinės rankenos, o kairiąja – už priekinės.** Grandininį pjūklą laikant priešinga tvarka, padidėja asmens susižeidimo pavojus, todėl būtina elgtis saugiai.
- Įrankį laikykite tik už izoliuotos rankenos, nes grandininis pjūklas gali užkliudyti nematomus laidus arba savo paties laidą. Pjūklo grandinei prisilietus prie laidų, kuriais teka elektros srovė, neapsaugotomis metalinėmis elektrinio įrankio dalimis taip pat gali pradėti tekėti srovė ir darbuotojas gali patirti elektros smūgį.
- **Dėvėkite apsauginius akinius ir klausos apsaugos priemones. Be to, patartina naudoti apsaugines galvas, kojų ir pėdų priemones.** Tinkama apsauginė darbo apranga sumažina asmens susižeidimo nuo išskriejančių nuopjovų ar atsitiktinio susilietimo su pjūklo grandine pavojų.
- **Nepjunkite grandininio pjūklą įsilipę į medį.** Pjaunant grandininio pjūklą įsilipus į medį, galima susižeisti.
- **Būtina tvirtai atstokite ir pjaukite grandininio pjūklą tik stovėdami ant tvirtu ir lygaus paviršiaus.** Stovint ant slidžių ar nestabilių paviršių, pavyzdžiui, ant kopėčių, galima netekti pusiausvyros arba nesuvaldyti grandininio pjūklo.
- **Pjaudami įtemptą šaką, saugokitės, nes šaka gali atšokti kaip spyruoklė.** Kai medienos plaušo įtempimas nuslūgsta, įsitempusi šaka gali atsimušti į darbuotoją ir (arba) grandininis pjūklas gali tapti nevaldomas.
- **Būkite ypatingai atsargūs pjaudami krūmus ir medelius.** Laibas kotelis gali įsivelti į pjūklo grandinę

ir kaip botagas nuplėkti jus arba išmušti jus iš pusiausvyros.

- **Išjungtą už maitinimo grandininį pjūklą neškite paėmę už priekinės rankenos ir atokiai nuo savęs. Transportuojant ar nenaudojamą grandininį pjūklą padedant į sandėlį, būtina uždėti kreipiamosios juostos gaubtą.** Tinkamai naudojant grandininį pjūklą, sumažėja tikimybė atsitiktinai susiliesti su judančia pjūklo grandine.
- **Vadovaukitės pjūklo tepimo, grandinė įtempimo ir dalių bei priedų keitimo instrukcijomis.** Netinkamai įtempta ar sutepta grandinė gali sutrūkti arba gali padidėti galimybė įvykti atatranksiai.
- **Rankenas reikia visada sausai nuvalyti, kad jos nebūtų suteptos alyva ir riebalais.** Tepaluotos ir alyva išteptos rankenos slidžios, todėl galima nesuvaldyti gaminio.
- **Pjunkite tik medieną. Nenaudokite grandininio pjūklo ne pagal paskirtį. Pavyzdžiui, nenaudokite grandininio pjūklo medžiagos, mūro ar nemedienos statybinėms medžiagoms pjauti.** Grandininį pjūklą naudojant ne pagal paskirtį, gali kilti pavojinga situacija.

Atatranksio priežastys ir darbuotojo prevencija:

Jei pjovimo juosta paliečia kažkokį daiktą arba jei pjovimo grandinė yra suspaudžiama ir užblokuojama medienoje, pjovimo metu, tai gali atsirasti atšokimas.

Kai kuriais atvejais, pjūklo galiukai susilietus su kitais paviršiais, gali įvykti staigi atbulinė reakcija: atatranksio jėga gali priversti kreipiamąją juosta pašokti aukštyn ir pasislinkti atgal link darbuotojo asmens.

Grandininio pjūklo kreipiamosios juostos viršaus suspaudimas gali kreiptuvą staiga nukreipti atgal į operatorių.

Kiekvienu atveju jūs galite prarasti grandininio pjūklo kontrolę ir sunkiai susižeisti. Nesitikėkite vien tik apsaugos priemonių, integruotų į jūsų grandininį pjūklą. Taip pat jums reikia imtis kitų priemonių nelaimingų atsitikimų ar sužalojimų rizikai išvengti.

Atatranka įvyksta dėl įrankio netinkamo naudojimo ir (arba) neteisingai atliekamų darbo procedūrų ar netinkamų sąlygų, ir jos galima išvengti ėmusis reikiamų atsargumo priemonių, kaip nurodyta toliau:

- **Abiem rankomis, visais pirštais tvirtai suimkite ir laikykite grandininio pjūklo rankenas ir atstokite į tokią padėtį, kad kūnas ir ranka atlaikytų atatranksio jėgas.** Darbuotojas gali valdyti atatranksio jėgas, jeigu imasi reikiamų atsargumo priemonių. Neleiskite pjūklui laisvai judėti.
- **Neužsimokite per plačiai ir nepjunkite virš pečių aukščio.** Tai padeda apsisaugoti nuo netyčinio sąlyčio su pjūklo galiuku ir geriau valdyti grandininį pjūklą kilus nenumatytoms situacijoms.
- **Juostas ir grandines keiskite tik gamintojo nurodytais analogais.** Naudojant netinkamus juostas ir grandines, grandinė gali sutrūkti ir (arba) gali išsivystyti atatranksio jėga.
- **Laikykites gamintojo instrukcijų dėl pjovimo grandinės galandimo ir techninio aptarnavimo.** Sumažinus gylio matuoklio aukštį, gali padidėti

EN
FR
DE
ES
IT
NL
PT
DA
SV
FI
NO
RU
PL
CS
HU
RO
LV
LT
ET
HR
SK
SL
BG
UK
TR

atatranka.

PAPILDOMI GRANDININIO PJŪKLO SAUGOS ĮSPĖJIMAI

- Pjūklą naudojant pirmą kartą, rąstus patartina pjauti pasidėjus ant malkų pjovimo ožio arba ant atramos.
- Patikrinkite, ar visi apsauginiai įtaisai, rankenos ir smaigčio amortizatoriai tinkamai įtaisyti ir geros būklės.
- Asmenys, kurie naudojami šiuo gaminiu, turi būti geros sveikatos būklės. Įrenginys yra sunkus, todėl naudotojas privalo būti fiziškai stiprus. Darbuotojas turi būti budrus, pasišymėti geru regėjimu, judrus, gebėti išlaikyti pusiausvyrą ir miklių rankų. Jeigu yra abejonių, gaminio nereikia naudoti.
- Nepradėkite naudoti grandininio pjūklo, kol darbo plotas neparuoštas, nesate tvirtai atsistoję ir nenumatė, kaip atsitrauksite nuo medžio kritimo trajektorijos.
- Saugokitės nuo tepalų ir pjuvenų skleidžiamos taršos. Jei reikia, dėvėkite kaukę ar respiratorių.
- Jei būtų pažeistas maitinimo kabelis, įrenginį techninei priežiūrai pristatykite tik į įgaliotąjį techninės priežiūros centrą.
- Maitinimo laidas visada turi būti tvarkingas ir laikomas atokiai nuo pjovimo vietos. Netvarkingi laidai kelia ne tik žūtis nuo elektros srovės pavojų: už jų užkliuvus galima nukristi.
- Nepjunkite vijoklinių ar šliaužiančių augalų ir (arba) nedidelio atžalyno (plonesnių nei 75 mm skersmens stiebų bei kamienų).
- Naudodamiesi grandininio pjūklu, visada laikykite jį abiem rankomis. Tvirtai laikykite grandininį pjūklą, jūsų pirštams apimant rankenas. Dešinioji plaštaka turi būti uždėta ant galinės rankenos, o kairioji – ant priekinės.
- Prieš įjungdami įrankį, išitinkinkite, ar pjūklo grandinė nieko neličia.
- Jokiais būdais nekeiskite pjūklo konstrukcijos ir nenaudokite jo su jokiais kitais priedais ar įtaisais, kurie nėra rekomenduojami šio įrankio gamintojo.
- Netoli darbuotojo asmens būtinai turi būti laikoma pirmosios pagalbos vaistinė su didelių žaizdų tvarstymo priemonėmis bei dėmesį pritraukiančios priemonės (pvz., švilpukas). Didesnė pirmosios pagalbos vaistinė, kurioje daugiau priemonių, taip pat turi būti netoliese.
- Naudodamiesi šiuo gaminiu, visada dėvėkite apsauginį šalmą. Atatrankos atveju šalmas su tinkliniu skydeliu gali padėti sumažinti pavojų susižaloti veidą ir galvą.
- Netinkamai įtempta grandinė gali nušokti nuo krepčiamosios juostos ir sukelti sunkų ar net mirtiną sužeidimą. Grandinės ilgis priklauso nuo temperatūros. Reguliariai tikrinkite grandinės įtempimą.
- Prie darbo nauju grandininio pjūklu reikia pratintis atliekant nesudėtingus pjūvius ant tvirtai atremto medienos ruošinio. Tokį bandomąjį pjovimą taip pat reikia atlikti prieš pradėdami dirbti ilgesnį laiką nenaudojus pjūklo.
- Norėdami išvengti pavojaus susižaloti pailietus judamąsias dalis, visada būtinai išjunkite variklį, įjunkite grandinės stabdiklį ir ištraukite kištuką nuo elektros lizdo. Patikrinkite, ar visos judančios dalys visiškai

nustojo sukstis:

- Prieš palikdami įrenginį be priežiūros
- prieš valant ar išimant susidariusį kamštį
- prieš montuojant ar nuimant įtaisus
- prieš tikrinant, prižiūrint ar naudojant krūmapjovę
- Darbo zonos paviršius priklauso tiek pat nuo atliktino darbo, kaip ir nuo medžio aukščio ar apdorotino gabalo. Pavyzdžiui, norint nuleisti medį, darbo plotas turi būti didesnis nei atliekant kitus pjūvius, t. y. pjaunant medžius rąstams ar pan. Darbuotojas turi žinoti apie viską, kas yra darbo plote ir valdyti visą padėtį.
- Nepjunkite stovėdami vienoje linijoje su krepčiamąja juosta ir grandine. Jeigu įvyktų atatranka, stovėdami ne vienoje linijoje apsaugotumėte nuo grandinės smūgio į galvą ar kūną.
- Pjudami nemosuokite pjūklu pirmyn–atgal: visą darbą palikite grandinei; ji turi būti aštri ir nemėginkite jos stumti per įpjavą.
- Nespauskite grandininio pjūklo pjovimo pabaigoje. Būkite pasirengę perimti pjūklo svorį, kai jis pjaunant nustoja liestis į medieną. Priešingu atveju, galite sunkiai susižeisti.
- Nestabdykite pjūklo per pjovimo operacijos vidurį. Pjūklas turi veikti, kol yra visiškai ištraukiamas iš įpjavos.

Asmeninės apsaugos priemonės

Profesionalams skirtos geros kokybės asmeninės apsaugos priemonės padės sumažinti darbuotojo sužeidimo riziką. Dirbant grandininio pjūklu, reikia naudoti šias apsaugos priemones:

Apsauginį šalmą

- turi atitikti EN 397 standartą arba būti paženklintas „CE“

Klauso apsaugą

- turi atitikti EN 352-1 standartą arba būti paženklintas „CE“

Akių ir veido apsaugą

- turi būti paženklinta „CE“ ir atitikti EN 166 standartą (apsauginiai akiniai) arba EN 1731 standartą (antveidžiai iš tinklo)

Pirštines

- turi atitikti EN381-7 standartą arba būti paženklintas „CE“

Kojų apsaugą (blauzdų)

- turi atitikti EN381-5 standartą, būti paženklinta „CE“ ir apsaugoti koją iš visų pusių.

Darbui grandininio pjūklu skirtus apsauginius batus

- turi atitikti EN ISO 20345:2004 standartą ir būti pažymėti nuo grandininio pjūklo apsaugančio skydo simboliu, rodančiu atitiktį EN 381-3 standartui. (Jeigu žemės paviršius lygus ir nėra pavojaus suklipti ar užkliūti už atžalyno, nenuolatiniai darbuotojai gali mėvėti apsauginiais batais su plieno nosimi ir apsauginėmis blaudzinėmis, atitinkančiomis EN 381-9 standartą)

Darbui grandininio pjūklu skirtas striukes viršutinės kūno dalies apsauga

- turi atitikti EN 381-11 standartą arba būti

paženklintas „CE“

TINKAMŲ ELEMENTARIŲ MEDŽIO NULEIDIMO, ŠAKŲ GENĖJIMO IR SKERSINIO PJOVIMO BŪDŲ INSTRUKCIJOS

Supratimas apie medienoje veikiančias jėgas

Turint supratimą apie kryptinius slėgius ir įrašžas medienoje, galima sumažinti spaudimu arba bent jau jų tikėtis pjaunant. Įtempis medienoje reiškia, jog plaušai yra draskomi ir pjaunant šiame plote, pjūklui skrodžiant medieną, įranta ar įpjova bus linkusi atsiverti. Jeigu raštas atremtas ant malkų pjovimo ožio, o jo galas pakibęs neatremtas, dėl išsikūsiusio rąsto svorio, kuris tempia plaušą, viršutiniame paviršiuje susidaro įtampa. Panašiai, rąsto apatinė pusė bus suspausta ir plaušai stumiami kartu. Jeigu pjūvis daromas tame plote, įranta atliekanti pjūvį bus linkusi užsidaryti. Tai suspaustų pjūklo ašmenis.

Medžio nuleidimas

Žr. 273 - 274 p.

Kai medžių pjovimo malkoms ir nuleidimo darbus vienu metu atlieka du ar daugiau asmenų, medžio nuleidimo darbus reikia atskirti nuo pjovimo malkoms atstumu, kuris yra mažiausiaii dukart didesnis už nuleidžiamo medžio aukštį. Medžių negalima nuleisti taip, kad jie keltų pavojų žmonėms, atsitrękų į elektros perdavimo linijas ar keltų žalą turtui. Medžiui prisilietus prie elektros perdavimo linijos, apie tai būtina nedelsiant pranešti už šią liniją atsakingai įmonei.

Jei žemės skyklas yra nuožulnus, tai visuomet būkite žemės skylo viršuje, kadangi yra rizika, kad medis po kirtimo nusiris ar nuslys nuo šlaito apačion.

Prieš pradėdant pjovimo darbus, būtina numatyti ir išvalyti atsitraukimo takelį. Atsitraukimo takelis turi dreiktis atgal ir įstrizai numatomos medžio kritimo trajektorijos galinėje pusėje.

Prieš pradėdant nuleidimą, reikia apžiūrėti, į kurią pusę medis natūraliai palinkęs, kaip išsidėsiuos stambesnės šakos ir kokia kryptimi pučia vėjas, kad būtų galima įvertinti, į kurią pusę medis kris.

Nuo pjaunamo medžio pašalinkite nešvarumus, akmenis, atplyšusią žievę, vinis, kabes ir vielą.

Nenuleidininkite supuvusių ar vėjo, ugnies, žaibų ir pan. pažeistų medžių. Tai nepaprastai pavojinga ir tokius darbus privalo vykdyti tik profesionalūs medžių genėtojai.

- Pakirtimas
Žr. 273 - 274 p.

Padarykite 1/3 medžio skersmens įranta statmenai kritimo kryptim. Pirmia atlikite apatinį horizontalų pakirtimą. Tai padės išvengti pjūklo grandinės ar kreipiamosios juostos suspaudimo atliekant antrą įkirtimą.

- Nuleidimo įpjova
Žr. 273 - 274 p.

Nuleidimo įpjovą atlikite mažiausiai 50 mm / 2 col. aukščiau nei horizontalus įkirtimas. Nuleidimo įpjova turi būti lygiagreti horizontaliam įkirtimui. Nuleidimo įpjovą darykite tokią, kad liktų pakankamai medienos, kuri atliktų lanksto vaidmenį. Medienos lankstas neleidžia medžiui išlinkti ir nukristi netinkama kryptimi.

Nepjaukite per lankstą.

Kai nuleidimas priartėja prie lanksto, medis turėtų pradėti kristi. Jeigu kyla įtarimas, kad nuleidžiant medis gali kristi nepageidaujama kryptimi arba susvyruoti atgal ir suvaržyti pjūklo grandinę, liaukitės pjove, kol prieš atliekant nuleidimo įpjovą ir įkiškite medienos, plastiko ar aliuminio pleištus, kad atvertumėte įpjovą ir nuleistumėte medį pageidaujama kritimo trajektorija.

Medžiui pradėjus kristi, ištraukite grandininį pjūklą iš įpjovos, sustabdykite variklį, padėkite pjūklą ir atsitraukite numatytu takeliu. Saugokitės iš viršaus krantinčių šakų ir būkite atsargūs, kad neužkliūtumėte ir išsilaikytumėte ant kojų.

Atramos šaknų pjovimas

Žr. 274 psl.

Atramos šaknis yra didelė šaknis, išeinanti iš medžio kamieno ir pasiekianti žemę. Prieš imdamiesi medžio kirtimo, nupjaukite dideles šaknis. Visų pirma atlikite horizontalinę įpjovą atramos šaknyje ir po to vertikalią įpjovą. Pašalinkite taip nupjautą dalį iš darbo ploto. Pašalinę atramos šaknis, imkitės medžio kirtimo.

Stūmimo jėga ir traukimo jėga

Reakcijos jėga visuomet veikia priešinga kryptimi, nei pjovimo grandinės sukimosi kryptis. Todėl, pjudamas apatiniu juostos kraštu, naudotojas privalo būti pasiruošęs suvaldyti gaminį, kuris yra linkęs pradėti judėti (pajudėti pirmyn). Visada tvirtai užfiksuokite amortizavimo smaigtį, kad išvengtumėte tokio judėjimo. Pjaunant išilgai viršutinio krašto, gaminyje gali būti atšokti atgal (naudotojo link). Norėdami to išvengti, užtikrinkite, kad pjaunant išilgai viršutinio krašto, grandinė nebūtų suspausta.

Pjūklui įstrigus įpjovoje

Sustabdykite grandininį pjūklą ir pasirūpinkite, kad jis būtų nepavojingas. Nebandykite jėga traukti grandinės ir juostos iš įpjovos, nes dėl to gali nutrūkti grandinė, susiūbuoti atgal ir atsitrękti į darbuotoją. Ši situacija paprastai susidaro, nes medis netinkamai atremtas ir reikia užbaigti pjūvį veikiant spaudimui, tuo būdu suspaudžiant ašmenis. Jeigu reguliuojant atramą, juostos ir grandinės nepavyksta išlaisvinti, įkiškite medinius pleištus ar svertą, kad atvertumėte įpjovą ir išlaisvintumėte pjūklą. Jokių būdu nebandykite paleisti grandininio pjūklo, kai kreipiamoji juosta jau yra įpjovoje ar įrantoje.

Slydimas / šokinėjimas

Jei grandininis pjūklas pjovimo metu iš karto nesufurmuoja įpjovos, į kurią galėtų įstverti, kreiptuvais gali pavojingai atšokti nuo kamieno ar šakos paviršiaus, arba juo slysti, dėl ko galima prarasti grandininio pjūklo kontrolę. Siekiant išvengti galimo šokinėjimo ir (arba) slydimu, visuomet grandininį pjūklą laikykite dviem rankom. Pasirūpinkite, kad pjūklo grandinė suformuotų įpjovą.

Niekada nebandykite grandininio pjūklo pjauti smulkių ar lanksčių šakų, ar krūmų. Dėl jų dydžio ir lankstumo pjūklas gali greitai atšokti link jūsų ar užstrigti pakankamai didele jėga, kas susidarys atitranka. Tokiems darbams tinkamiausi pjūklai yra rankinis pjūklas, genėjimo žirkklės, kirvis ar kitas rankinis įrankis.

| |
|----|
| EN |
| FR |
| DE |
| ES |
| IT |
| NL |
| PT |
| DA |
| SV |
| FI |
| NO |
| RU |
| PL |
| CS |
| HU |
| RO |
| LV |
| LT |
| ET |
| HR |
| SL |
| SK |
| BG |
| UK |
| TR |

Rąsto pjovimas

Žr. 275 psl.

Rąsto pjovimas – tai jo sukapojimas atitinkamo ilgio gabalais. Svarbu, kad tvirtai stovėtumėte ir svoris būtų tolygiai pasiskirstęs ant abiejų kojų. Kai yra galimybė, rąstą reikėtų pakelti ir atremti šakomis, kitais rąstais ar ramsčiais. Vadovaukitės paprastais nesudėtingo pjovimo nurodymais. Kai rąstas atremtas visu ilgiu, jis pjaunamas nuo viršaus (pjovimas iš viršaus).

Kai rąstas atremtas viename gale, pjaukite 1/3 jo skersmens iš apatinės pusės (pjovimas iš apačios). Tada atlikite galutinį pjovimą, pjaudami iš viršaus, kad viršutinis pjūvis susidurtų su apatiniu pjūviu.

Kai rąstas atremtas abiejuose galuose, pjaukite 1/3 jo skersmens iš viršaus (pjovimas iš viršaus). Tada atlikite galutinį pjovimą, 2/3 skersmens pjaudami iš apačios, kad apatinis pjūvis susidurtų su pirma įpjova.

Pjaudami medį rąstams šlaite, būtinai stovėkite įkalnėje. Pjaunant „kiaurai“, tam, kad visiškai valdytumėte padėtį, atleiskite pjovimo spaudimą bebaigdami atlikti įpjovą, tačiau tvirtai laikykite suėmę grandinį pjūklą už rankenų. Neleiskite grandinei susiliesti su žeme. Baigę pjovimą, palaukite, kol pjūklo grandinė visiškai sustos ir tik tada perkelkite grandininį pjūklą į pageidaujamą vietą. Prieš pereinant nuo medžio prie medžio, būtina sustabdyti pjūklo variklį.

Medžio genėjimas

Žr. 276 psl.

Genėjimas – tai šakų nukapojimas nuo nuleisto medžio. Genėdami, stambesnes apatines šakas palikite nenukapotas, kad rąstas nesiremų tiesiai į žemę. Mažas šakeles nukapokite vienu pjūviu. Įtempio veikiamas šakeles reikia pjauti iš apačios ir viršų, kad nesulinktų grandininis pjūklas.

Įtempimo jėgų veikiami pjoviniai

Žr. 276 psl.

„Botagas“ yra šaka, išrautas kelmas arba medelis, kurį sulenkė kitas medžio gabalas tokiu būdu, kad jis staiga išsitiesia, kai pjaunamas arba nuimamas medžio gabalas, kuris jį sulauko.

Išrautas nukirsto medžio kelmas kelia didelę riziką išsitiesti ir sugrįžti į vertikalią padėtį pjaunant, kad jis būtų atskirtas nuo kamieno. Dėmesio „botagams“ - jie pavojingi. Nebandykite pjauti sulinkusių šakelių ar įtemptų strampų, jei nesate paręngti ir kompetentingi tai daryti profesionaliai.

⚠ ĮSPĖJIMAS

„Botagai“ yra pavojingi, nes jie gali trenkti į jus ir priversti prie to, kad jūs prarasite grandinio pjūklo kontrolę. Tai gali sukelti sunkius ar mirtinus sužalojimus. Šį darbą turi atlikti apmokytą darbuotojai.

GABENIMAS IR LAIKYMAS

Žr. 281 - 284 p.

- Išjunkite įrankį ir atjunkite jį nuo elektros tinklo. Prieš padėdami įrenginį į saugojimo vietą arba veždami jį

transporto priemonėje, palaukite, kol jis atvės.

- Nuo įrankio nuvalykite visas pašalines medžiagas. Laikykite vėsioje, sausoje, gerai vėdinamoje ir vaikams nepasiekiamoje vietoje. Nelaikykite jo arti nuo tokių koroziją sukeliančių reagentų kaip cheminės sodininkystės medžiagos arba druskos, naudojamos prieš apledėjimą. Nelaikykite lauke.
- Prieš padėdami įrankį į sandėlį ar paruošdami gabenimui, uždėkite kreipiamosios juostos gaubtą.
- Paruošiant gabenimui, gaminį reikia pritvirtinti, kad nejudėtų ir nenukristų, nes priešingu atveju jis gali sužaloti žmones arba sugesti pats.

PRIEŽIŪRA

Gaminys turi būti geros darbinės būklės.

⚠ ĮSPĖJIMAS

Keitimui naudokite tik originalias gamintojo atsargines dalis. Neoriginalios dalys gali būti sužeidimų ir įrenginio blogo veikimo priežastis, ir dėl to gali būti anuliuotas garantinis pažymėjimas.

⚠ ĮSPĖJIMAS

Aptarnavimą atlikti būtina itin atidžiai, todėl rekomenduojame, kad techninę apžiūrą vykdytų kvalifikuotas specialistas. Įrenginį techninei priežiūrai pristatykite tik į įgaliotąjį techninės priežiūros centrą. Atlikdami prietaiso techninę priežiūrą, keitimui naudokite tik originalias, prietaiso gamintojo atsargines dalis.

⚠ ĮSPĖJIMAS

Prieš atlikdami įrenginio valymo, reguliavimo ir techninės priežiūros darbus atjunkite jį nuo maitinimo tinklo. Neišėmus baterijos, galima sunkiai susižeisti.

- Gaminį reguliuoti ar taisyti patiems galima tik tiek, kiek aprašyta šiame vadove. Įrenginį techninei priežiūrai ir remontui pristatykite tik į įgaliotąjį techninės priežiūros centrą.
- Netinkamai vykdant įrankio priežiūros darbus, taip pat išmontavus arba pakeitus apsaugos įtaisus, pavyzdžiui, grandinės stabdiklį, rankų apsaugas (priekinę ir galinę), dantuotą atramą, grandinės gaudyklę, kreipiamąją juostą ar apsaugą nuo grandinės atatrankos varikliui veikiant mažais sukiais, labai padidėja sunkaus sužeidimo pavojus. Įrenginys privalo būti profesionaliai techniškai prižiūretas ir saugus naudoti.
- Saugiai pagaląsti grandinę gali tik įgudęs specialistas, todėl gamintojas primygtinai rekomenduoja sudariusią ar atšipusią grandinę pakeisti nauja, kurią galima įsigyti iš „Ryobi“ techninės priežiūros bei aptarnavimo centro. Dalies numeris nurodytas šiame instrukcijų vadove pateiktoje gaminio specifikacijų lentelėje. Todėl gamintojas primygtinai rekomenduoja nusidėvėjusią ar atbukusią grandinę pakeisti nauja; ją galima įsigyti įgaliotajame techninės priežiūros centre. Dalies numeris nurodytas šiame instrukcijų vadove pateiktoje

- gaminio specifikacijų lentelėje.
- Vadovaukitės tepimo bei grandinės įtempimo patikros ir reguliavimo nurodymams.
- Po kiekvieno naudojimo, išvalykite įrenginį sausu švelniaus audinio gabalėliu.
- Dažnai tikrinkite visas varžles, varžtus ir sraigtus, ar jie tvirtai laikosi ir ar įranga yra saugios darbo būklės stovyje. Bet kurią apgadintą detalę leidžiama remontuoti arba keisti tik autorizuosime aptarnavimo centre.

ŠALUTINIAI PAVOJAI

Net naudojant gaminį pagal nurodymus, neįmanoma visiškai atmesti visų pavojaus veiksnių. Naudojant gaminį gali kilti toliau išvardinti pavojai ir naudotojas turi kreipti ypatingą dėmesį, kad jų išvengtų:

- Vibracijos sukeltas sužalojimas
 - Darbą reikia atlikti naudojant tik tam skirtus įrankius. Naudokitės specialiai laikymui skirtomis rankenomis. Ribokite darbo laiką ir vibracijos poveikį.
- Ilgai būnant triukšme, galima pakenkti klausą.
 - Dėvėkite akių apsaugą ir ribokite poveikio trukmę.
- Prisilietimo prie neuždengtų grandinės pjovimo dantukų (pavojus įsipjauti).
- Nenumatytas, staigus apsaugos kreiptuvo judėjimas (įsipjovimo pavojus).
- Pjūklo grandinės išmetamos dalys (pjovimo / įpurškimo pavojai).
- Pjaunant ruošinį iššokančios dalys (medienos skiedros, atplaišos, šipuliai).
- Pjuvenų ir dalelių įkvėpimas.
- Ant odos patekus alyvos.

RIZIKOS MAŽINIMAS

Turime pranešimų, kad vibracija nuo ranka laikomų įrankių kai kuriems asmenims gali turėti neigiamos įtakos vystantis Raynaud sindromui. Šios ligos požymiai yra pirštų dilgčiojimas, nutirpimas ir pabalimas, paprastai pasireiškiantis nuo šalčio. Šie simptomai vystosi dėl paveldimų veiksnių, nesisaugant nuo šalčio ir drėgmės, dėl mitybos, rūkymo ir darbo praktikos. Operatorius gali imtis šių priemonių, kurios gali sumažinti vibracijos poveikį:

- Apsirenkite kuo šilčiau šaltu oru. Dirbant šiuo prietaisu mūvėkite pirštines, kad plaštakos ir riešai būtų laikomi šilta. Turime pranešimų, kad Raynaud sindromas labiausiai vystosi nuo šalto oro sąlygų.
- po darbo kiekvieną kartą pasportuokite, kad pagerėtų kraujo apytaka;
- dažnai darykite darbo pertraukas. Apribokite darbo laikotarpį per dieną.
- Apsauginės pirštines, kurias galima įsigyti iš mažmenininkų, prekiaujančių profesionaliais grandininiais pjūklais, yra skirtos specialiai dėvėti dirbant grandininio pjūklo ir apsaugo rankas, leidžia gerai suimti pjūklą ir sumažina rankenų vibracijos efektą.

Jei jums pasireiškia kokie nors šios būklės simptomai, nedelsdami nutraukite darbą ir kreipkitės į gydytoją.

⚠ ĮSPĖJIMAS

Ilgiau naudojant, įrankis kelia sužeidimų pavojų ir apsunkina darbą. Ilgiau naudojant įrankius, reikia reguliariai daryti pertraukas.

PAŽINKITE SAVO GRANDININĮ PJŪKLĄ

Žr. 267 psl.

1. Pjovimo grandinė
2. Pjovimo juosta
3. Priekinis įtaisas rankai apsaugoti/pjovimo grandinės stabdys
4. Priekinė rankena
5. Jungiklio deblokavimo mygtukas
6. Galinė rankena
7. Bamberio smaigas Integruotas bamberio smaigas
8. Alyvos bako dangtelis
9. Laido fiksatorius
10. Svirtinis jungiklis
11. Grandininio rato gaubtas
12. Grandinės įtempimas / Kreipiamojo strypo suspaudimo galvelė
13. Kreipiamosios juostos gaubtas
14. Grandinės gaudytuvas

SAUGOS ĮTAISAI

Mažo atšokimo grandinė

Mažos atatranks pjūklo grandinė padeda sumažinti galimybę įvykti atatranksiui.

Gylio ribotuvi, esantys kiekvieno dantuko priekyje, gali sumažinti atšokimo efektą, vengiant per gilaus dantukų skverbimosi į atšokimo vietą. Keitimui naudokite tik gamintojo rekomenduojamą kreipiamąją juostą ir grandinę. Išgalandę pjovimo grandinę, padvigubinkite budrumą, kadangi galandimas daro grandinę mažiau atsparią atšokimui. Savo saugumo labai, pakeiskite pjūklo grandines, kai yra mažiau pjovimo darbų.

Bamberio smaigas Integruotas bamberio smaigas

Gali būti naudojamas kaip ašis atliekant pjūvį. Ji padeda išlaikyti pjūklo korpusą stabilų pjaunant. Pjaudami stumkite įrankį į priekį, kol smaigai įsirėš į medienos kraštą, tada stumkite galinę rankeną aukštyn ar žemyn pjovimo linijos kryptimi, kad pjaudami mažiau įsitemptumėte.

Pjovimo juosta

Bendrai, kreipiamieji strypai su nedideliu spindulio antgaliais rečiau atšoka veikiami atatranksios jėgos. Reikia naudoti kreipiamąją juostą ir ją atitinkantią grandinę, kuri yra pakankamai ilga pageidaujama darbui atlikti. Ilgesnės juostos padidina pavojų pjaunant netekti kontrolės. Reguliariai tikrinkite grandinės įtempimą. Pjaunant mažesnes šakeles (trumpesnes nei visas kreipiamosios juostos ilgis), grandinė gali dažniau nušokti, jeigu yra netinkamai įtempta.

EN
FR
DE
ES
IT
NL
PT
DA
SV
FI
NO
RU
PL
CS
HU
RO
LV
LT
ET
HR
SL
SK
BG
UK
TR

Pjovimo grandinės stabdys

Pjovimo grandinės stabdys skirtas tam, kad būtų galima greitai sustabdyti grandinės sukimąsi. Pjovimo grandinė turi tučiuojau susoti, kai stabdžio svirtis/įtaisas rankai apsaugoti stumiamas pirmyn. Pjovimo grandinės stabdys netrukdo atšokimo efektui. Tai tik sumažina sužeidimų pavojų per atatrąnką grandinės juosta susilietus su darbuotojo kūnu. Grandinės stabdį reikia tikrinti kiekvieną kartą prieš naudojant pjūklą: reikia patikrinti, ar stabdys tinkamai veikia pjovimo ir įjungto stabdžio padėtyse.

Grandinės gaudytuvas

Grandinės gaudyklė apsaugo naudotoją, kad galimai nukritusi arba nutrūkus grandinė nebūtų blokšta naudotojo link.

SURINKIMAS

⚠ ĮSPĖJIMAS

Nenaudokite prietaiso, jei trūksta detalių ar jos yra apgadintos tol, kol jos nebus pakeistos. Nepaisydami šių įspėjimų, galite sunkiai susižeisti.

PJŪKLO GRANDINĖS IR KREIPIAMOSIOS JUOSTOS MONTAVIMAS

Žr. 268 – 269 p.

1. Ištraukite maitinimo kištuką. Mūvėkite apsauginėmis pirštinėmis.
2. Nusukite kreipiamojo strypo blokavimo galvutę ir nuimkite krumpļiaračio gaubtą.
3. Pjūklo grandinė turi būti išore pasukta grandinės sukimosi kryptimi. Jei jie orientuoti priešinga kryptimi, tai apverskite jūsų padarytą kilpą.
4. Įdėkite pavaros lankstą į laidą, kaip parodyta.
5. Padėkite pjovimo grandinę tokiu būdu, kad pjovimo juostos užpakalyje susidarytų kilpa.
6. Laikykite grandinę ant juostos ir uždėkite kilpą ant pavaros grandininio rato. Nuleiskite juostą, kad varžtas praitų per angą pritvirtintoje grandinės įtempimo sistemoje.
7. Uždėkite žvaigždutės gaubtą, paskui vėl priveržkite grandinės įtempimo / kreipiamosios juostos fiksavimo rankenėlę, sukdamį ją pagal laikrodžio rodyklę tol, kol ji tinkamai užsifiksuos. Dažnai tikrinkite grandinės įtempimą. Grandinės įtempimas tinkamas, kai tarpas tarp grandinėje įtaisyto pjoviklio ir juostos yra 3– 4 mm. Vidurinėje juostos apatinės pusės dalyje patraukite grandinę į apačią (atokiai nuo juostos) ir išmatuokite atstumą tarp juostos ir grandinės pjoviklių.
8. Priveržkite ir užfiksukite grandinės įtempimo / kreipiamosios juostos fiksavimo rankenėlę, sukdamį ją pagal laikrodžio rodyklę.

GRANDINĖS ĮTEMPIMO REGULIAVIMAS

Žr. 279 psl.

1. Atjunkite įrenginį nuo maitinimo šaltinio. Mūvėkite apsauginėmis pirštinėmis.
2. Norėdami tinkamai įtempti grandinę, iki galo atsukite grandinės įtempimo / kreipiamosios juostos fiksavimo

rankenėlę, paskui vėl priveržkite grandinės įtempimo / kreipiamosios juostos fiksavimo rankenėlę, sukdamį ją pagal laikrodžio rodyklę tol, kol ji tinkamai užsifiksuos. Dažnai tikrinkite grandinės įtempimą.

Grandinės įtempimas tinkamas, kai tarpas tarp grandinėje įtaisyto pjoviklio ir juostos yra 3– 4 mm. Vidurinėje juostos apatinės pusės dalyje patraukite grandinę į apačią (atokiai nuo juostos) ir išmatuokite atstumą tarp juostos ir grandinės pjoviklių.

3. Priveržkite ir užfiksukite grandinės įtempimo / kreipiamosios juostos fiksavimo rankenėlę, sukdamį ją pagal laikrodžio rodyklę.

PASTABA: Juostos ir grandinės įtempimo blokas būtinai turi būti švarus ir laisvai judėti; pjūklo grandinė privalo būti tinkamai uždėta ant žvaigždutės. Jei užfiksavus grandinės įtempimo / kreipiamosios juostos fiksavimo rankenėlę grandinė yra per daug arba per mažai įtempta, patikrinkite, ar kreipiamosios juostos ir grandinės įtempimo blokas yra švarus ir tinkamai sumontuotas.

Jei būtina, nuimkite ir išvalykite žvaigždutės gaubtą bei kreipiamąją juostą, paskui vėl surinkite šias dalis.

EKSPLOATAVIMAS

GRANDINĖS TEPIMO ALYVOS ĮPYLIMAS

Žr. 269 psl.

⚠ ĮSPĖJIMAS

Jokiu būdu nenaudokite įrankio, jei nėra įpilta grandinės tepalo. Jeigu pjūklo grandinė veikia nesutepta, kreipiamoji juosta ir pjūklas gali būti pakenkti. Todėl nepaprastai svarbu dažnai ir prieš pradėdant naudotis grandininio pjūklu tikrinti alyvos lygį alyvos lygio matuoklyje.

1. Išvalykite paviršius apie alyvos bakelio dangtelį, kad neužterštumėte tepalo.
2. Nusukite ir nuimkite dangtelį nuo alyvos bakelio.
3. Įpilkite alyvos į bakelį ir stebėkite alyvos lygio matuoklį. Pasirūpinkite, kad pilant į bakelį alyvą, į jį nepatektų jokių nešvarumų.
4. Vėl uždėkite ir užsukite alyvos bakelio dangtelį. Nušluostykite išiškusią alyvą.
5. Esant pilnam alyvos bakeliui, galima atlikti pjovimo darbus 12 – 18 minučių.

KAIP LAIKYTI GRANDINĮ PJŪKLĄ

Žr. 269 psl.

Grandininį pjūklą laikykite dešiniąja plaštaka paėmę už galinės rankenos, o kairiąją – už priekinės. Abiem plaštakomis, visais pirštais tvirtai suimkite ir laikykite grandininio pjūklo rankenas. Priekinę rankeną būtinai reikia laikyti kairiąją plaštaka, nykščiu apkabinus rankenos apatinę dalį.

⚠ ĮSPĖJIMAS

Maitinimo laidas visada turi būti tvarkingas ir laikomas atokiai nuo pjovimo vietos. Netvarkingi laidai kelia ne tik žūties nuo elektros srovės pavojų: už jų užkliuvus galima nukristi.

KAIP UŽVESTI GRANDININĮ PJŪKLĄ

Žr. 269 psl.

1. Prijunkite įrankį prie elektros tinklo lizdo. Atgal traukdami svirtį / rankenos apsaugą, patikrinkite, ar grandinės stabdis yra nustatytas darbo (Run) padėtyje.
2. Norėdami užvesti pjūklą: Paspauskite gaiduko atlaisvinimo mygtuką, paskui paspauskite įjungimo / išjunkite gaiduką.

GRANDINĖS STABDŽIO PATIKRA IR VALDYMAS

1. Įjunkite grandinės stabdį sukdamai kairiąja plaštaka apie priekinę rankeną. Grandinei greitai sukantis, plaštakos gūbriu pastumkite grandinės stabdžio svirtį / plaštakos apsauginį įtaisą link juostos. Grandinė privalo tuoj pat sustoti. Jokiu būdu neatitraukite nė vienos plaštakos nuo pjūklo rankenų.
2. Sugriebdami už grandinės stabdžio sverto viršutinės dalies / plaštakos apsauginio įtaiso ir traukdami link priekinės rankenos, kol pasigirs spragtelėjimas, vėl nustatykite grandinės stabdį į veikimo padėtį.

⚠ ĮSPĖJIMAS

Jei grandinės stabdiklis grandinės tuoj pat nesustabdo arba jei grandinės stabdiklis nepadedamas neužfiksuoja eigos padėtyje, nesinaudokite įrankiu, o pristatykite jį į įgaliojimą techninės priežiūros centrą, kad jis būtų suremontuotas.

KAIP PAKEISTI KREIPIAMĄJĄ JUOSTĄ IR PJŪKLO GRANDINĘ

Žr. 277 - 278 p.

1. Atjunkite įrenginį nuo maitinimo šaltinio. Mūvėkite apsauginėmis pirštinėmis.
2. Atlaisvinkite grandinės įtempimo / kreipiamosios juostos fiksavimo rankenėlę, sukdamai ją prieš laikrodžio rodyklę tol, kol atsilaisvint žvaigždutės gaubtas.
3. Nuimkite grandininio rato gaubtą. Nuimkite nuo įrankio juostą ir pjūklo grandinę.
4. Išsukite varžtą, kuriuo kreipiamoji juosta yra pritvirtinta prie grandinės įtempimo įtaiso. Panaudotą juostą ir pjūklo grandinę išmeskite tinkamu būdu.
5. Sumontuokite grandinės įtempimo bloką ant naujos juostos ir vėl priveržkite varžtą. Naują grandinę uždėkite ant juostos teisinga kryptimi ir patikrinkite, ar pavaros švaistikliai juostos griovelyje sulygiuoti.
6. Pritvirtinate juostą prie grandininio pjūklo ir uždėkite grandinę ant pavaros grandininio rato. Pakeiskite grandininio rato gaubtą.
7. Priveržkite ir užfiksokite grandinės įtempimo / kreipiamosios juostos fiksavimo rankenėlę, sukdamai ją pagal laikrodžio rodyklę.

Grandinės įtempimas tinkamas, kai tarpas tarp grandinėje įtaisyto pjoviklio ir juostos yra 3– 4 mm. Vidurinėje juostos apatinės pusės dalyje patraukite grandinę į apačią (atokiai nuo juostos) ir išmatuokite atstumą tarp juostos ir grandinės pjoviklio.

Sureguliuokite grandinės įtempimą. Vadovaukitės skyrelyje „Grandinės įtempimo reguliavimas“ pateiktais nurodymais.

⚠ ĮSPĖJIMAS

Blogas grandinės galavimas padidina atšokimo riziką.

⚠ ĮSPĖJIMAS

Jei jūs nekeisite ar netaisote sugadintos grandinės, tai jūs statote save į sunkių kūno sužalojimų pavojų.

⚠ ĮSPĖJIMAS

Grandinė yra labai aštri. Visuomet nešiokite apsaugines pirštines, kai jūs atliekate jos techninį aptarnavimą.

GRANDINĖS STABDŽIO APŽIŪRA IR VALYMAS

Žr. 280 psl.

- Grandinės stabdžio mechanizmas turi būti visada švarus: nuo švaistiklių reikia reguliariai šepetiuku nubraukti nešvarumus.
- Po kiekvieno grandinės stabdžio valymo reikia patikrinti, kaip jis veikia. Papildomos informacijos ieškokite šio vadovo skyriuje "Naudojimas – Grandinės stabdiklio tikrinimas ir naudojimas".

PRIEŽIŪROS TVARKARAŠTIS

| Kasdienė patikra | |
|-----------------------------------|--|
| Maitinimo kabelio sveikumas | Prieš kiekvieną naudojimą |
| Stryo sutepimą | Prieš kiekvieną naudojimą |
| Grandinės įtempimas | Prieš kiekvieną naudojimą ir dažnai |
| Grandinės aštrumą | Prieš kiekvieną naudojimą, vizualinė patikra |
| Ar nėra sugadintų dalių | Prieš kiekvieną naudojimą |
| Ar nėra atspalaidavusių spaustukų | Prieš kiekvieną naudojimą |
| Grandinės stabdžio funkcija | Prieš kiekvieną naudojimą |
| Patikrinkite ir išvalykite | |
| Apsagas | Prieš kiekvieną naudojimą |
| Visą pjūklą | Kiekvieną kartą prieš naudojant |
| Pjovimo grandinės stabdis | Kas 5 valandas* |

*Veikimo valandos

SIMBOLIAI ANT ĮRENGINIO



Pranešimas apie saugumą



Prieš pradėdami naudoti šį gaminį perskaitykite ir supraskite šią vartotojo instrukciją, kad sumažintumėte sužeidimų pavojų.

EN
FR
DE
ES
IT
NL
PT
DA
SV
FI
NO
RU
PL
CS
HU
RO
LV
LT

ET
HR
SL
SK
BG
UK
TR



Dėvėkite akių, ausų ir galvos apsaugą.



Naudodamiesi šiuo gaminiu visada avėkite avalynę neslystančiais padais.



Mūvėkite neslystančias, tvirtas apsaugines pirštines.



Prieš atlikdami priežiūros darbus arba jei laidas pažeistas ar įpjautas, nedelsiant ištraukite kištuką iš maitinimo šaltinio.



Atsargiai – saugokitės grandininio pjūklo atatrankos ir neprisilieskite prie strypo galo.



Nenaudoti lyjant ar esant drėgnoms sąlygoms.



Laikykite ir naudokite grandininį pjūklą abejomis rankomis.



Nenaudokite savo grandininio pjūklo, laikydami jį viena ranka.



Šis prietaisas atitinka visas reglamentuotas normas ES šalies, kur jis buvo nupirktas.



„EurAsian“ atitikties ženklas



II klasės įrankis, dviguba izoliacija



Ukrainos atitikties ženklas



Elektrinių produktų atliekos neturi būti metamos kartu su namų ūkio atliekomis. Prašome perdirbkite jas ten, kur yra tokios perdirbimo bazės. Dėl perdirbimo patarimo kreipkitės į savo vietinę savivaldybę ar pardavėją.



Garantuojama garso galia yra 104 dB (RCS1935B)



Garantuojama garso galia yra 105dB (RCS2340B)



Strypo ir grandinės alyva



Pjovimo grandinės stabdys

Sukite, kad užfiksuotumėte arba atlaisvintumėte kreipiamąją juostą



Blokėtąjs



Atrakinti



Grandinės judėjimo kryptis. (Pažymėta po grandininio rato gaubtu)

SIMBOLIAI VADOVE



Pajunkite į maitinimo lizdą



Išjunkite iš maitinimo lizdo



Detalės arba priedai yra parduodami atskirai



Pastaba



Įspėjimas!



Dėvėkite akių ir veido apsaugos priemones.



Dėvėkite viršutinės kūno dalies apsaugos priemones.



Dėvėkite kojų apsaugos priemones.



Stabdykite įrenginį.

Šie signaliniai žodžiai yra skirti nurodyti su prietaiso naudojimu susijusio pavojaus lygį.

⚠ PAVOJUS

Reiškia ypač pavojingą padėtį, kurios neišvengus bus patirti sunkūs ar net mirtini sužeidimai.

⚠ ĮSPĖJIMAS

Reiškia potencialiai pavojingą situaciją, kurios neišvengus galimi sunkūs ar net mirtini sužeidimai.

⚠ ATSARGIAI

Reiškia potencialiai pavojingą situaciją, kurios neišvengus galimi lengvi ar vidutinio sunkumo sužeidimai.

ATSARGIAI

Be įspėjamųjų simbolių

Reiškia nuosavybės žalos tikimybę.

Elektrilise kettsae juures on peetud esmatähtsaks ohutust, töövõimet ja töökindlust.

OTSTARBEKOHANE KASUTAMINE

Elektrilise kettsaagi tohib kasutada ainult välitingimustes. Ohutuse tagamiseks peab saagi kasutamise ajal kogu aeg hoidma kahe käega.

See kettsaag on ette nähtud okste, kändude, puutüvede ja talade lõikamiseks, mille läbimõõt on ära määratud juhtlati pikkusega. Saag on ette nähtud vaid puidu saagimiseks. Seda tohivad kasutada üksnes koduses majapidamises täiskasvanud, kes on saanud vastava koolituse toote kasutamise ajal esinevate ohtude ja tarvitusele võetavate ettevaatusabinõude/-tegevuste osas.

Saagi ei tohi kasutada lapsed ja need inimesed, kes ei kannu nõuetekohast kaitsevarustust ja riietust. See saag ei ole ette nähtud kutsealaseks puude langetamiseks.

Ärge kasutage ühekski muuks otstarbeks.

⚠ HOIATUS

Seadme kasutamisel tuleb järgida ohutusreegleid. Teie ja kõrvalseisjatele ohutuse tagamiseks lugege käesolevad juhised enne seadme kasutamist läbi. Kettsaagide kasutamiseks, ohtude vältimiseks, esmaabiks ja hooldamiseks peate läbima professionaalselt korraldatud ohutustehnika kursused. Hoidke juhend edaspidiseks kasutamiseks alles.

⚠ HOIATUS

Kettsaad on potentsiaalselt ohtlikud tööriistad. Kettsaaga seotud õnnetused lõpevad tihti jäseme kaotuse või surmaga. Alati ei ole ohud tingimata seotud kettsaaga. Surma võib saada okste langemise, puude ümberkukkumise ja veerevate palkide tõttu. Täiendavat ohtu kujutavad haiged ja mädanenud puud. Hinnake oma võimet tööd ohutult teha. Kui teil on kahtlusi, jätke see kutselistele saagijatele.

ELEKTRITÖÖRIISTADE OHUTUSE ÜLDEESKIRJAD

⚠ HOIATUS

Lugege kõik ohuhoiatused ja juhised läbi. Hoiatuste ja juhiste eiramisel on oht saada elektrilööki või raskeid kehavigastusi ning/või põhjustada tulekahju.

Hoidke kõik hoiatused ja juhised tulevikus vaatamiseks alles.

Hoiatustes kasutatav termin „elektritööriist“ tähendab mehaanilist tööriista, mis saab toidet elektrivõrgust (juhtmega) või akust (ilma juhtmata).

TÖOKOHT

- **Hoidke töökoht puhas ja hästi valgustatud.** Korrastamata ja pimedas kohas töötamisel võivad juhtuda õnnetused.

- **Ärge kasutage elektritööriistu plahvatusohtlikes keskkondades, näiteks kergestisüttivate vedelike ja gaaside läheduses ega tolmuses kohas.** Elektritööriistad tekitavad sädemeid, mis võivad tolmu või auru süüdata.
- **Elektritööriistaga töötamisel hoidke lapsed ja kõrvalised isikud eemal.** Tähelepanu hajumise korral võib teil kontroll kaduda.

ELEKTRIOHUTUS

- **Elektritööriistade pistikud peavad pistikupesasse sobima.** Ärge püüdke pistiku konstruktsiooni mingil moel muuta. Ärge ühendage maanduskontaktiga (kordusmaandusega) elektritööriistu elektrivõrku läbi vahepistikite. Pistiku ja pistikupesaga konstruktsiooni muutmise korral tekib elektrilöögi oht.
- **Hoiduge kehalisest kontaktist maandatud pindadega, näiteks torud, radiaatorid, elektripliidid ja külmikud.** Kehaosade maandamisel suureneb elektrilöögi saamise oht.
- **Ärge jätke kultivaatorit vihma kätte või märga kohta.** Vee sattumisel elektrilise tööriista sisemusse suureneb elektrilöögi saamise oht.
- **Ärge kasutage toitejuhet mittesihhipäraselt.** Ärge kasutage toitejuhet tööriista kandmiseks, vedamiseks või pistikupesast väljatõmbamiseks. Hoidke toitejuhe eemal kuumusest, õlist, teravatest servadest ja liikuvatest osadest. Vigastatud või keerduv toitekaablid suurendavad elektrilöögi ohtu.
- **Väljas töötamisel kasutage välitingimustes kasutamiseks sobivaid pikendusjuhtmeid.** Välitingimustele sobiva pikendusjuhtme kasutamine vähendab elektrilöögi ohtu.
- **Kui elektritööriistaga töötamine niisketes oludes on vältimatu, siis kasutage rikkevoolu-kaitselülitiga (RCD) kaitstud vooluvõrku.** RCD kasutamine vähendab elektrilöögi ohtu.

ISIKUKAITSE

- **Mehaanilise tööriistaga töötamisel jälgige tööpiirkonda ja kasutage sealjuures tervet mõistust.** Ärge kasutage tööriista siis, kui te olete väsinud, uimastite, alkoholi või ravimite mõju all. Hetkeline tähelepanu hajumine tööriista kasutamise ajal võib põhjustada raske kehavigastuse.
- **Kasutage isikukaitsevahendeid. Kandke alati silmakaitsevahendeid.** Oludele vastavad kaitsevahendid, nagu tolmumask, libisemist takistavad turvalatsid, kiiver või kuulmiskaitsem, vähendavad kehalisi vigastusi.
- **Vältige tahtmatut käivitumist.** Enne toitejuhtme või aku ühendamist, tööriista kättevõtmist või teisaldamist veenduge, et tööriista lüliti on välja lülitatud. Õnnetuste vältimiseks ärge hoidke tööriista kandmise ajal sõrme lülitisnupul ega ühendage tööriista toitevõrku siis, kui lüliti on sisse lülitatud.
- **Enne tööriista sisselülitamist eemaldage sellelt reguleerivõti või mutrivõti.** Elektritööriista külge jäetud reguleerivõti või mutrivõti võivad põhjustada raske kehavigastuse.

- **Ärge kummardage.** Hoidke end pidevalt jalgadel ja tasakaalus. Siis on teil ootamatu olukorra tekkimisel tööriista üle parem kontroll.
- **Kandke tööks sobivat riietust.** Ärge kandke lõtvu riideid ja ehteid. Hoidke juuksed, riietusesemed ja töökindad liikuvatest osadest eemal. Lõdvad riietusesemed, ehted ja pikad juuksed võivad haakuda liikuvate osade külge.
- **Kui tööriistal tuleb kasutada tolmu eraldamisvõi kogumiseadisi, siis veenduge, et need on ühendatud ja nõuetekohases kasutuses.** Tolmukoguri kasutamisega saab vähendada tolmu teotud ohtusid.

ELEKTRITÖÖRIISTA KASUTAMINE JA KORRASHOID

- **Ärge kasutage töötamisel liigset jõudu.** Kasutage tööks sobivat elektritööriista. Õigesti valitud elektritööriist töötab ettenähtud võimsuspiirkonnas paremini ja ohutumalt.
- **Ärge kasutage elektritööriista, kui lüliti ei lülita seda sisse ja välja.** Lülitiga lülitamatu tööriista kasutamine on ohtlik ja see tuleb lasta ära remontida.
- **Enne tööriista reguleerimist, tarvikute vahetamist või hoistamist võtke toitejuhe pistikupesast välja ja/või eemaldage aku.** Need ennetavad ohutusmeetmed vähendavad tööriista tahtmatu käivitumise riski.
- **Hoidke kasutuses mitteolevaid elektritööriistu lastele kättesaamatus kohas ja ärge lubage elektritööriista mitte tundvaid või kasutusjuhendiga mitte tutvunud isikuid elektritööriista kasutada.** Oskamatu kasutaja käes olev elektritööriist on ohtlik.
- **Mehaaniliste elektritööriistade hooldus.** Kontrollige liikuvate osade mittesentreeritust ja kinnitumist, osade vigastusi ning tehke kindlaks muud seisundid, mis võivad mõjustada elektritööriista tööd. Kui mõni osa on vigastatud, siis laske elektritööriist enne kasutamist ära parandada. Halvasti hooldatud elektritööriistad põhjustavad palju õnnetusi.
- **Hoidke lõiketerad teravad ja puhtad.** Teravate lõiketeradega ja nõuetekohaselt hooldatud lõikeriistad jäävad harvemini kinni ning neid on kergem kontrolli all hoida.
- **Tööriistade, tarvikute, otsakute ja muude lisaseadmete kasutamisel juhendage nende kasutusjuhenditest, võttes arvesse tehtavat tööd ja tööolusid.** Tööoperatsiooniks mitte ettenähtud tööriista kasutamine võib tekitada ohtliku olukorra.
- **Hoidke tööriista käepidemed ja haardepinnad kuivana, puhtana ja ärge laske neile sattuda õli või määrat.** Libedad käepidemed ja haardepinnad ei võimalda tööriista turvaliselt haarata ja ootamatutes olukordades kontrollida.

TEENINDAMINE

- **Laske oma elektrilist tööriista hooldada väljaõppinud teenindustöötajal; remontimisel tohib kasutada ainult originaalvaruosi.** See tagab elektriseadme ohutuse.

TÄIENDAVID ÜLDISED OHUTUSJUHISED

- Mõnedes piirkondades on seadused, mis piiravad selle toote kasutamist. Lisateavet saate kohalikust omavalitsusest.
- Ärge laske toodet kasutada lastel või inimestel, kes ei ole käesoleva juhendiga tutvunud. Kohalikud regulatsioonid võivad seada kasutaja vanusele piiranguid.
- Enne seadme kasutamise alustamist veenduge, et kõik juht- ja ohutusseadised töötavad nõuetekohaselt. Kui mootor nupule OFF vajutamisel välja ei lülitu, ärge hakake seadet kasutama.
- Toote kasutamise ajal kandke silma- ja kõrvakaitsmeid, tugevaid vastupidavaid kindaid ning kiivrit. Kui töötamine on tolmune, kasutage näomaski.
- Ärge kandke lõtvu riideid, lühikesi pükse ega mingeid ehteid.
- Kinnitage pikad juuksed õlgadest kõrgemale, et vältida nende takerdumist liikuvate osade vahele.
- Hoiduge ülespaisatud, lendavate ja kukkuvate esemete eest. Hoidke kõik kõrvalseisjad, lapsed ja loomad vähemalt 15 m kaugusel tööpiirkonnast.
- Ärge kasutage seadet halva valgustatuse korral. Töötajal peab tööpiirkonnale olema selge väljavaade, et tuvastada võimalikud ohud.
- Kuulmiskaitsevahendid takistavad hääloiatuste (hüüded ja helisignaale) kuulmist. Operaator peab seda arvesse võtma ja pöörama täiendavat tähelepanu sellele, mis toimub tema töökohal.
- Mitme sarnase seadme töötamisel samas piirkonnas suurendab kuulmiskahjustuse riski töötajal ja inimestel, kes tööpiirkonda sisenevad.
- Hoidke kindlat jalgade asendit ja tasakaalu. Ärge kummardage. Liigse ette küünitamine tõttu võite kaotada tasakaalu ja suureneb tagasilöögi oht.
- Hoidke kõik kehaosad liikuvatest osadest eemal.
- Kontrollige seade iga kord enne kasutamist üle. Kontrollige, et juhtimiseadised, kaasa arvatud ketipidur töötavad nõuetekohaselt. Kontrollige üle lõtvunud kinnitite suhtes ja veenduge, et kõik kaitsed ja käepidemed on õigesti ja ohutult kinnitatud. Enne kasutamist asendage kõik vigastatud koosteosad.
- Ärge püüdke seadme konstruktsiooni mingil viisil muuta ega kasutage varuosi või tarvikud, mis pole tootja poolt soovitatud.
- Voolutõked põhjustavad pingekõikumisi ja võivad mõjutada samasse toiteahelasse ühendatud elektriseadmete tööd. Ühendage seade toitevõrku, mille näivtakistus on 0.33 Ω või vähem, et pingekõikumisi minimeerida. Lisateabe saamiseks võtke ühendust oma elektritarbijaga.

⚠ HOIATUS

Kui seade on maha kukkunud, saanud tugeva löögi või hakkab ebanormaalselt vibreerima, seisake seade viivitamatult ja kontrollige see üle vigastuste suhtes. Kõik vigastused tuleb lasta volitatud hooldustöökohas parandada või asendada.



- Elektriline tööriist tuleb ühendada vooluvõrku läbi rikkevoolu-kaitselüli (RCD), mille rakendamisvoolu tugevus on maksimaalselt 30 mA.
- Kui teil on vaja kasutada pikendusjuhet, veenduge et see on välistingimuste jaoks sobiv ja teie tööriista jaoks piisava ristlõikega. Kontrollige seda enne iga kasutamist vigastuste suhtes. Kerige see alati lahti, sest kokku keeratud juhe võib üle kuumeneda. Ärge hakake vigastatud pikendusjuhet parandama, vaid asendage teise sobivat tüüpi juhtmega.
- Kui toitekaabel saab kahjustada, tuleb see enne kasutamist asendada uuega.
- Veenduge, et toitejuhe asetseb nii, et see ei saa teravate esemete sisselõike tõttu vigastada, sellele ei saa peale astuda, komistada ja see ei saa mingil muul viisil vigastada ega sattuda tõmbepinge alla.
- Ärge kunagi tõstke või kandke toodet juhtmetest hoides.
- Ärge kunagi ühendage toitejuhet lahti sellest tõmmates.
- Hoidke toitejuhe eemal kuumusest, õlist ja teravatest servadest.
- Enne iga kasutuskorda kontrollige toitejuhe üle vigastuste suhtes. Kui on vigastumise märke, tuleb ohu vältimiseks see asendada heakskiidetud teeninduskeskuses pädeva elektriku poolt.

SAEKETI OHUHOIATUSED

- **Tootega töötamise ajal hoidke kõik kehaosad saeketiist eemal. Enne kettsae käivitamist veenduge, et saekett ei puutu millegi vastu.** Hetkeline tähelepanematus kettsaega töötamise ajal on piisav, et saekett võib jääda teie riietesse või keha külge kinni.
- **Hoidke kettsaagi alati nii, et teie parem käsi on tagumisel käepidemel ja vasak käsi eemisel käepidemel.** Kettsae hoidmisel vastupidise käte hoiakuga suurendab kehavigastuse ohtu ja nii ei tohi kunagi töötada.
- **Hoidke tööriista üksnes käepideme isoleeritud pinnast, sest saekett võib tabada varjatud elektrijuhet või tööriista juhet.** Kui kettsaag satub kontakti pinge all olevate juhtmetega, jäävad tööriista isoleerimata metallosad pingele alla ja kasutaja võib saada elektrilöögi.
- **Kandke kaitseprille ja kuulmiskaitseid. Lisaks sellele soovitakse kaitsta kaitsevarustusega ka pead, käsi, jalgasääri ja jalalabasid.** Õige kaitseriietus vähendab kehavigastuse ohtu, mis on põhjustatud lendavatest jäätmetest või juhuslikust kokkupuutest saeketiga.
- **Ärge töötage kettsaaga puu otsas.** Kettsae kasutamine puu otsas võib põhjustada kehavigastuse.
- **Leidke endale kindel jalgealune ja töötage saaga ainult liikumatul, kindlal ja tasasel pinnal.** Libedad ja ebakindlad pinnad, näiteks redelil, võivad tingida tasakaalu kaotuse või kontrolli kaotamise kettsae üle.
- **Pinge all oleva oksa saagimisel olge tähelepanelik tagasilöögi suhtes.** Kui puidukiudude pinge vabaneb, siis võib vetruv oks anda operaatorile löögi ja/või põhjustada saeketi väljumise kontrolli alt.

- **Olge okste ja puuvõsude saagimisel äärmiselt ettevaatlik.** Peened võsud võivad saeketi külge kinni jääda ja lüüa teie suunas või põhjustada tasakaalu kaotuse.
- **Sae kandmisel hoidke väljalülitatud saagi kinni eesmisest käepidemest ja eemal oma kehast. Kettsae teisaldamisel või hoiustamisel paigaldage juhtlatile alati kaitsekate.** Kettsae nõuetekohane käsitsemine vähendab saeketiga juhusliku kokkupuute tõenäosust.
- **Järgige saeketi määrimise, pingutamise ja tarvikute vahetamise juhiseid.** Valesti pingutatud või määritud saekett võib katkeda või suurendada tagasilöögi võimalust.
- **Hoidke tööriista käepidemed kuivana, puhtana ja ärge laske neile sattuda õli või märet.** Määratud või õlised käepidemed on libedad ja tingivad kontrolli kadumise.
- **Kasutage saagi ainult puidu lõikamiseks. Ärge kasutage tööriista otstarbeks, milleks see ei ole ette nähtud.** Näiteks ärge kasutage saagi plastide, seinakivide või muude kui puitmaterjalide saagimiseks. Kettsae kasutamise mitte ettenähtud tööoperatsiooniks võib tekitada ohtliku olukorra.

Tagasilöövide põhjused ja juhised nende vältimiseks:

Tagasilöök võib esineda juhul, kui juhiku ots puudutab mõnd eset või kui saekett puidu sisse kinni jääb.

Otsa kontakt võib mõnel juhul põhjustada ootamatu vastureaktsiooni, lüües juhtlati üles ja operaatori suunas. Saeketi kinnijäämine juhtlati otsas võib lükata juhtlati kiiresti tagasi operaatori suunas.

Mõlemad nimetatud reaktsioonid võivad lõppeda kontrolli kaotamisega sae üle, mis omakorda võib põhjustada kehavigastusi. Ärge loote ülemäära oma kettsae turvaelementidele. Kettsae kasutajana tuleks Teil võtta tarvitusele mitmeid tööohutusmeetmeid.

Tagasilöök on sae väär kasutamise, ebaõigete töövõtete või tööks mittevastavate töötingimuste tulemus ja seda saab vältida allpool esitatud ettevaatusabinõude rakendamisega.

- **Hoidke saagi nii, et põidlad ja sõrmed on kindlalt mõlema käepideme ümber ning hoidke oma keha ning käsivarred nii, et saate tagasilöögist tulenevaid jõudusid vastu võtta.** Operaatoril on võimalik tagasilöögist tekkinud jõudusid hallata, kui selleks vastavaid meetmeid võtta. Ärge laske haaret lõtvuda.
- **Ärge küünitage end liigselt välja ja ärge püüdke saagida ülevalpool oma õlgasid.** See aitab vältida soovimatut otsakontakti ja võimaldab ootamatu olukorra tekkimisel tööriista üle kontrolli säilitada.
- **Kasutage ainult tootja poolt ette nähtud juhtlati ja ketti.** Vale juhtlatt ja -kett võib põhjustada keti katkemise ja/või tagasilöögi.
- **Järgige tootja ettekirjutusi saeketi teritamise ja hoolduse kohta.** Vähenenud lõikesügavuse piiraja kõrgus võib suurendada tagasilöögi võimalust.

| |
|-----------|
| EN |
| FR |
| DE |
| ES |
| IT |
| NL |
| PT |
| DA |
| SV |
| FI |
| NO |
| RU |
| PL |
| CS |
| HU |
| RO |
| LV |
| LT |
| ET |
| HR |
| SL |
| SK |
| BG |
| UK |
| TR |



TÄIENDAVAD KETTSAEGA SEOTUD OHUTUSJUHISED

- Kui kasutate saagi esimest korda, on soovitatav on saagida ümarmaterjali saepukil või vastaval alusel.
- Veenduge, et kõik kaitsekatted, käepidemed ja ogalatt on nõuetekohaselt kinnitatud ning heas seisundis.
- Ketsae kasutaja peab olema hea tervise juures. Kuna toode on raske, peab sellega töötaja olema sobivas füüsilises vormis. Kasutaja peab olema valvas, tal peab olema hea väljavaade, vaba liikumisruum, tasakaal ja käelisel osav. Kui on mingeid kahtlusi, siis ärge ketsaagi kasutage.
- Ärge alustage toote kasutamist enne kui tööpiirkond on vaba, teil on kindel jalgealune ja varem plaanitud taganemistee langeva puu eest.
- Kaitske end määrdeainetuude ja saepuru eest. Kandke vajadusel maski või respiraatorit.
- Kui toitejuhe on kahjustunud, viige toode parandamiseks volitatud teenindusse.
- Hoidke toitekaabel puhas ja eemal löikepiirkonnast. Peale elektrilöögi ohu põhjustavad määrdund kaablid kukkumist ja komistamist.
- Ärge saagige väätsid ja/või peenikest alusmetsa (peenemat kui 75 mm).
- Hoidke ketsaagi töö ajal alati mõlema käega. Hoidke käepidemetest tugevasti kinni, nii et põial on ümber käepideme. Parema käega tuleb kinni hoida tagumisest käepidemest ja vasakuga eesmisest käepidemest.
- Enne toote käivitamist veenduge, et saekett ei puutu kokku ühegi esemega.
- Ärge muutke toodet mingil moel ega kasutage seda tarvikute ega seadmetega, mida tootja ei ole saele soovitanud.
- Sae kasutamisel peab teil olema kättesaadav esmaabikomplekt, milles on suure haava sidumisvahendid ja abikaitsevahendid (näiteks vile). Läheduses peab olema suurem esmaabikomplekt.
- Tootega töötamise ajal kandke alati kiivrit. Võrkvisiiriga kiiver aitab tagasilöögi korral vähendada näo- ja peavigastuste ohtu.
- Valessti pingutatud kett võib juhtlatilit maha tulla ja põhjustada sellega raske kehavigastuse või surma. Keti pingus sõltub temperatuurist. Kontrollige keti pingust korrapäraselt.
- Õppige oma uue ketsaega töötama tehes lihtsaid löikeid ohutult toetatud puusse. Tehke seda ka siis kui te pole saega töötanud pikka aega.
- Et vähendada liikuvate osadega kokkupuutumise tingitud vigastuste ohtu, peatage alati mootor, aktiveerige ketipidur ja eemaldage pistik vooluvõrgust. Veenduge, et kõik masina liikuvad osad on täielikult seiskunud:
 - enne toote juurest lahkumist
 - enne puhastamist ja ummistuse kõrvaldamist
 - enne tarvikute paigaldamist ja eemaldamist
 - enne seadme kontrollimist, hooldamist ja sellega töötamist.
- Tööplatsi suurus sõltub töö iseloomust ja puu või muu saetava eseme suurusel. Näiteks puude langetamine nõuab rohkem tööruumi kui seda on vaja muudel

lõikamistoimingutel, näiteks järkamisel. Saagija peab olema ettevaatlik ja jälgima kõike, mis toimub tööpiirkonnas.

- Ärge hoidke oma keha samal joonel juhtlati ja ketiga. Kui te pole harjunud tagasilöögi, siis aitab see vältida keti liikumist teie pea ja keha suunas.
- Ärge liigutage saagi edasi tagasi, laske ketil ise lõigata, hoidke kett terav ja ärge suruge ketile jõuga peale.
- Saagimise lõppjärgus ärge avaldage enam survet. Olge valmis hoidma saagi hetkel, kui see läbib puu. Muidu võite saada raske kehavigastuse.
- Ärge peatage saagi saagimisoperatsiooni keskel. Laske sael töötada kuni see on lõikest välja võetud.

Isikukaitsevahendid

Saagija vigastamise riski vähendamiseks kasutage kvaliteetseid isikukaitsevahendeid. Ketsae kasutamisel kasutage järgmisi isikukaitsevahendeid:

Kaitsekiiver

- peab vastama standardi EN 397 nõuetele ja olema CE-märgisega

Kuulmiskaitsevahendid

- peab vastama standardi EN 352-1 nõuetele ja olema CE-märgisega

Silma- ja kuulmiskaitsevahendid

- peavad olema CE-märgisega ja vastama standardi EN 166 nõuetele (turvapillid) või standardi EN 1731 nõuetele (võrkvisiir)

Kaitsekindad

- peab vastama standardi EN381-7 nõuetele ja olema CE-märgisega

Jalgakaitsed (säärised)

- peavad vastama standardi EN381-5 nõuetele, olema CE-märgisega ja tagama üldkaitse.

Saagija turvajalatsid

- peavad vastama standardi EN ISO 20345:2004 nõuetele ja peavad olema markeeritud ketsae sümboliga, mis näitab vastavust standardile EN 381-3. (Hooajalise kasutajad võivad kasutada terasest ninakaitsega turvasaapaid ja kaitseäärisid, mis vastavad standardi EN 381-9 nõuetele, kui maapind on tasane, kukkumisoht on minimaalne ning puudub alusmets)

Saagija turvajakk

- peab vastama standardi EN 381-11 nõuetele ja olema CE-märgisega

ÜLDISED JUHISED NÕUETEKOHASEKS LANGETAMISEKS, OKSE LÕIKAMISEKS JA JÄRKAMISEKS

Ohud puudus esinevatest sisepingetest

Kui saate aru puudu sees olevatest jõududest ja pingetest saate vältida kinnikiilumist või vähemalt saate aru pingete toimest. Puudus oleva pinged suruvad puudu kiudusid laiali ja kui sellises kohas teha lõige või pilu, siis on suundumus kiudude avanemisele kui saag puitu läbib. Kui puutüvi on toetatud saepukile ja üleulatav ots on toetatud, siis tekib pinged ülalpinna, mis on tingitud üleulatava tüveosa massist ja kiud satuvad pinged alla. Samuti on tüve alaosa surve all ja puudu kiud surutakse seal kokku. Kui lõige tehakse selles

osas, siis on saeteel suundumus sulguda. See võib saelati kinni suruda.

Puu langetamine

Vt lk 273 - 274.

Kui puude langetamisel ja järkamisel töötab samaaegselt kaks või rohkem töötajat, siis peab langetamine toimuma järkamisest eraldi, sellisel kaugusel, mis minimaalselt vördub langetatava puu kahe kõrgusega. Puud tuleb langetada sellisel moel, et see ei ohusta ühtegi inimest ega taba õhuline ning ei tekita ainekahju. Kui puu puudutab õhuliini, siis tuleb sellest viivitamatult teavitada õhuliini haldajat.

Saagija peaks hoiduma ülesmäge, kuna pärast langemist veeb puu tõesuliselt allamäge.

Ohutsoonist lahkumise teekond tuleb ette planeerida ja puhastada enne puu langetamise alustamist. Ohutsoonist lahkumise teekond peab olema langeva puu taga, diagonaalsis puu langemise oletatava suunaga.

Enne langetamise alustamist tehke kindlaks puu loomuliku kalde suund, suuremate okste paiknemine ja tuule suund, et hinnata mis võib puu langemist mõjutada.

Eemaldage puult mustus, kivid, lahtine koor, naelad, klambriid ja traat.

Ärge proovige langetada mädanenud puid ega puid, mida on kahjustanud tuul, tuli, äike jne. See on väga ohtlik ja seda tohivad teha ainult professionaalsed arboristid.

■ Puu sälkamine

Vt lk 273 - 274.

Tehke sisselõige sügavusega 1/3 puu läbimõõdust ja risti puu langemise suunaga. Esmalt tehke alumine horisontaalne sisselõige. See väldib teise sisselõike tegemise ajal saeketi või juhtlatti kinnijäämist.

■ Langetuslõige

Vt lk 273 - 274.

Tehke langetuslõige puusse vähemalt 50 mm võrra sälkõikest kõrgemale. Saagige langetuslõige paralleelselt sälkõike horisontaalõikega. Tehke langetuslõige sellise sügavusega, et murdekohta jääks alles piisavalt puitu. Murdekohta puit väldib puu pöördumist ja vales suunas langemist. Ärge lõigake murdekohta läbi.

Kui langetuslõige jõuab murdekohale liiga lähedale, siis hakkab puu langema. Kui tekib oht, et puu võib langeda mittesooovitavas suunas või tagasisuunas õõtsuma hakata ja sae kinni kiiluda, ärge tehke langetuslõiget lõpuni ja kasutage puidust, plastist või alumiiniumist kiilusid, et lõige avada ning lasta puul langeda soovitud suunas.

Kui puu hakkab langema, võtke saag lõikest välja, seisake mootor, pange saag maha ja lahkuge varem ettevalmistatud tee kaudu. Olge ettevaatlik allalangevate okste suhtes ja jälgige oma jalgealust.

Peajuurte eemaldamine

Vt leht 274.

Peajuur on jame juur, mis väljub tüvest maapinna kohal. Kõrvaldage suuremad peajuured enne langetamist. Tehke juure sisse esmalt horisontaalne lõige, seejärel vertikaalne. Koristage järelejäänud lahtine tükk töökohtalt. Pärast

peajuurte eemaldamist järgige korrektselt puulangetamise korda.

Lükkamine ja tõmbamine

Vastasmõju suund on alati vastupidine keti liikumissuunale. Seega peab kasutaja olema valmis selleks, et toode võib eemale paiskuda (liikuda ettepoole), kui lõigatakse juhtplaadi alumise servaga. Sellise liikumise vältimiseks rakendage alati haardehambaid. Toode võib tagasi pörkuda (kasutaja poole), kui lõigatakse ülemise servaga. Selle vältimiseks veenduge, et ülemise servaga saagides ei ole kett kinni kiilunud.

Saag on jäänud puusse kinni

Seisake saag ja võtke ohutusmeetmeid. Ärge püüdke ketti ja juhtlatti jõuga lõikekohast välja võtta, sellega võite ketti lõhkuda kui see pöördu tagasi ja annab saagijale löögi. See olukord tekib tavaliselt siis, kui puu on valesti toetatud ja seetõttu surutakse lõikekoht kokku ja saag jääb puusse kinni. Kui toetuspunkti muutmise juhtlatti ja ketti ei vabasta, kasutage puitkiilusid või kangi, et lõige avada ja saag vabastada. Ärge mingil juhul käivitage saagi kui juhtlattu on lõikes või pilus.

Libisemine/pörkamine

Kui kettsaag ei suuda lõikamise käigus sisse minna, võib juhtlattu hakata pörkama või palgi või oksa pinnal ohtlikult libisema, mis võib põhjustada kettsae juhtimise kaotamise. Kasutage libisemise või pörkamise vältimiseks või vähendamiseks saagi alati kahe käega. Veenduge, et saekett teeb lõikamiseks soone.

Ärge lõigake kettsaaga kunagi väikesi painduvaid oksid ega võsa. Nende mõõtmed ja elastsus võivad põhjustada sae tagasipöörkumise või kinnijäämise, mis on piisavalt tugev, et põhjustada tagasilööki. Selleks tööks on parim tööriist käsisaag, oksakäärid, kirves või muud tööriistad.

Palgi järkamine

Vt leht 275.

Järkamine tähendab puutüve järkamist soovitud pikkusega palkideks. Järkamisel on tähtis tagada endale kindel jalgeaalne ja jagada kehakaal mõlemale jalale. Võimaluse korral tuleb tüvi üles tõsta ja toetada harude, puutüvede või kiiludega. Saagimise hõlbustamiseks tuleb järgida järgmisi juhiseid. Kui tüvi on maapinnal kogu oma pikkuses, siis tuleb seda saagida ülemiselt poolelt (ülalõige).

Kui tüvi on toetatud ühes otsas, siis tehke lõige 1/3 läbimõõdu ulatuses altpoolt (alltõige). Seejärel tehke ülevalt lõplik lõige vastu alltõiget.

Kui tüvi on toetatud mõlemast otsast, siis tehke lõige 1/3 läbimõõdu ulatuses ülemiselt poolelt (ülalõige). Seejärel tehke ülevalt lõplik lõige 2/3 läbimõõdu ulatuses vastu alltõiget.

Kallakul järkamisel olge tõusupoolel küljel. Läbilõikamise hetkel hoidke saagi kontrolli all ja ärge lõike lõpus saele suruge, kuid ärge lõdvendage haaret sae käepidemete ümber. Ärge laske ketil maapinda puudutada. Pärast lõike lõpetamist laske sael lõplikult seiskuda, enne kui te hakkate saagi teise kohta ümber paigutama. Ühe puu saagimiselt teisele siirdumisel tuleb saag alati seisata.

Okste laasimine

Vt leht 276.

Laasimine tähendab langetatud puult okste äralõikamist. Laasimisel jätke suuremad oksad alles, mis toetavad puutüve maapinnale. Saagige väiksemad oksad maha ühe lõikega. Pinge all olevad harud tuleb ära lõigata altpoolt üles, et sae kinnijäämist vältida.

Tagasilöögioksad

Vt leht 276.

Pinge all olev puu on mis tahes palk, oks, känd või võsu, mida mõni teine puu pinge all hoiab ja mis pinge alt vabanedes võib tagasilöögi anda.

Langenud puu juurtega känd võib järkamise tulemusel suure tõenäosusega püsti asendisse liikuda. Olge selliste puudega ettevaatlik; need on ohtlikud. Ärge püüdke lõigata kõveraid harusid või tüükaid, mis on pinge all, kui te ei ole selleks erialaselt välja õpetatud ja pädev.

⚠ HOIATUS

Pinge all olevad puud on ohtlikud ning kasutajat tabades võib saag väljuda kontrolli alt. See võib osutada kasutajale eluohhtlikuks. Seda tohivad teha vaid väljaõppe saanud töötajad.

TRANSPORTIMINE JA HOIUSTAMINE

Vt lk 281 - 284.

- Seisake toode ja ühendage toide lahti. Enne hoiustamist või sõidukis transportimist laske tootel maha jahtuda.
- Puhastage seade kõikidest võõrkehadest. Hoidke kuivas ja hästi ventileeritud kohas, mis on lastele juurdepääsmatu. Hoidke kettsaagi eemal söövitavatest ainetest nagu aiakemikaalid ja jäätõrjevahendid. Ärge hoiustage õues.
- Enne kettsae hoiule panekut ja transportimist pange juhtlatile kaitsekate.
- Vedamise ajal tõkestage kultivaator liikuma hakkamise ja alla kukkumise vastu, et vältida kehavigastusi ja masinaosade kahjustamist.

HOOLDUS

Hoidke kettsaagi alati heas tööseisukorras.

⚠ HOIATUS

Kasutage ainult tootja originaalvaruosi, tarvikuid ja tööorganeid. Selle nõude eiramine võib põhjustada, kehavigastuse, tootluse languse ja teile antud garantiitühistamise.

⚠ HOIATUS

Hooldamine nõuab ülimalt korrashoidu ja teadmisi ning tuleks teostada ainult kvalifitseeritud hooldustehnikute poolt. Toode tohib parandada vaid volitatud teeninduses. Muruniiduki hooldamisel kasutage ainult tootja originaalvaruosi.

⚠ HOIATUS

Enne toote puhastamist, seadistus- või hooldustöid ühendage toode toiteallika küljest lahti. Muidu võite saada raske kehavigastuse.

- Lubatud on teha ainult selles kasutusjuhendis kirjeldatud reguleerimis- ja parandustoiminguid. Muid remonditöid tohivad teha ainult volitatud teeninduskeskused.
- Ebapiisav/vale hooldus ja ohutusseadmete nagu ketipiduri, käekaitse (eesmise ja tagumise), püstise kaitseraua, ketipüüduuri, juhtlati, madala tagasilöögiketi eemaldamine või muutmine võib põhjustada ohutusseadiste mittetoimimise, suurendades seega tõsise vigastuse ohtu. Laske toodet hooldada professionaalidel ja hoidke toodet ohutult.
- Saeketi teritamine nõuab professionaalset oskusi. Seetõttu soovib tootja tungivaltel kulunud või nüri keti asendamist uuega, mis on saadaval volitatud teeninduskeskuses. Toote number on saadaval selle kasutusjuhendi seadme tehniliste andmete tabelis.
- Järgige saeketi määrimise, keti pinguse ja kontrollimise ning reguleerimise juhiseid.
- Pühkige trimmer pärast iga kasutuskorda pehme kuiva lapiga puhtaks.
- Kontrollige kõiki mutreid, polte ja kruvisid sagedaste intervallidega õige pinguloleku suhtes, et veeenduda seadme ohutus töökorras olemises. Vigastatud osad tuleb lasta pädeval hooldajal parandada või asendada.

JÄÄKRISKID

Isegi siis, kui kultivaatorit kasutatakse kirjeldatud viisil, ei ole võimalik kõrvaldada kõiki jääkriskide mõjureid. Töötamise ajal võivad tekkida järgmised ohud, millele operaator peab pöörama erilist tähelepanu.

- Vibratsioonist põhjustatud kehavigastus
 - Alati kasutage tööks sobivat tööriista. Kasutage ettenähtud käepidemeid. Piirake tööaega ja kokkupuudet.
- Tugev müra võib põhjustada kuulmiskahjustuse.
 - Kandke kuulmiskaitsevahendeid ja piirake müraga kokkupuudet
- Kokkupuutumine kaitsmata ketihammastega (lõikamisohu).
- Saelati ettenägematu järsk liikumine või saelati tagasilöökk (sisselõikamisohu).
- Saeketilt paiskuvad tükid välja (lõikeohu/torkeohu).
- Saetavalt puidult välja paiskuvad tükid (saelõiked, pinnud).
- Saepuru ja osakeste sisse hingamine.
- Naha kokkupuude õliga.

RISKI ALANDAMINE

Teadaolevalt võib käsitööriistade kasutamine põhjustada mõnedel inimestel seisundit, mida nimetatakse Raynaud' sündroomiks. Sümptomidena võib ilmneda sõrmede tuimus ja valkjaks muutumine, mis tavaliselt ilmneb külmas töötamisel. Nende sümptomite puhul tuleb hoiduda külmast

ja niiskusest, diedist ning suitsetamisest ja kasutada õigeid töövõtteid. Vibratsiooni mõju vähendamiseks tuleb rakendada järgmisi abinõusid.

- Külma ilmaga hoidke oma keha soe. Kandke kindaid, et hoida oma käed ja randmed soojad. Uuringud näitavad, et Raynaud's Syndrome ilmneb põhiliselt külma ilmaga.
- Pärast külmas töötamist tehke harjutusi, et verevarustust kiirendada.
- Tehke regulaarselt töovahepausid. Piirake tööperioodi pikkust.
- Kaitsekindad, mida on võimalik saada kettsaagide edasimüüjatelt, on toodetud spetsiaalselt kettsaaga töötamiseks ja need tagavad hea haarduvuse ning kaitsevad vibratsiooni eest.

Kui ilmnevad haigustunnused, lõpetage kohe töö ja pöörduge arsti poole.

⚠ HOIATUS

Seadme pikaajalisel kasutamisel võite saada kehavigastusi ja varasemad vigastused võivad süveneda. Seadme kasutamisel pika aja jooksul tuleb teha korralisi vahepausid.

ÕPPIGE OMA TOODET TUNDMA

Vt leht 267.

1. Kett
2. Juhik
3. Eesmine kaitse/Ketipidur
4. Eesmine käepide
5. Päästiku hoob
6. Tagumine käepide
7. Hambuline tugiraud
8. Õlikork
9. Juhtmekinniti
10. Päästik
11. Ketiratta kaas
12. Keti pinge / Juhtlati lukustusnupp
13. Juhtlati kate
14. Keti piiraja.

OHUTUST TAGAVAD SEADISED

Nõrga tagasilöögiga saekett

Vähendatud tagasilöögiga saekett loob tingimused, et vähendada tagasilöögi ohtu.

Sügavusmöödikud iga löiketera ees aitavad tagasilööki vältida, hoides löiketera liiga sügavale tungimast. Kasutage ainult tootja poolt ette nähtud juhtlati ja ketti.

Kui saekette teritatakse, võib tagasilöök muutuda tugevamaks ning seega tuleb olla eriti ettevaatlik. Oma ohutuse tagamiseks asendage saekett kui selle saagimisvõime langeb.

Hambuline tugiraud

Külgeehitatud hambulist tugirauda võib kasutada ka sisselõiget tehes pöördepunktina. See aitab hoida saagi töötamise ajal kindlalt kinni. Saagimise ajal suruge saagi ette, kuni tugiplaadi hambad haakuvad puiduga ja seejärel liigutage tagumist käepidet üles ja alla löikejoone sihi, see

hõlbustab vabastada löikamisel vallanduvaid pingeid.

Juhikud

Üldiselt kalduvad väiksema otsaraadiusega saelatlid vähem tagasilöögile. Saagimisel kasutage piisava pikkusega juhtlati ja sobivat ketti. Pikemad juhtlatid tõstavad ohtu kontrolli kadumise üles. Kontrollige keti pingust korrapäraselt. Kui löikate väiksemaid harusid, mis on juhtlatist väiksemad, siis on oht, et kett võib juhtlatit maha tulla kui pinge ei ole nõuetekohane.

Ketipidur

Ketipidurite ülesanne on keti liikumine kiiresti peatada. Kui ketipiduri hoob/käekaitse juhiku poole lükata, peaks kett otsekohe peatuma. Ketipidur ei hoiä tagasilööki. See vaid langetab kehavigastuse ohtu kui juhtlat peaks sattuma vastulöögi ajal kokkupuutesse saagija kehaga. Ketipidurit tuleb kontrollida toimimise suhtes alati enne iga kasutuskorda nii lukustatud kui lahti lukustatud olekus.

Keti piiraja.

Ketipidur hoiab ära saeketi paiskumise kasutaja suunas, kui kett tuleb lahti või läheb katki.

KOKKUPANEK

⚠ HOIATUS

Kui mõni osa on kahjustunud või puudu, ärge kasutage seda seadet enne, kui vastav osa on asendatud. Selle hoiatuse eiramine võib põhjustada raskeid vigastusi.

SAEKETI JA JUHTLATI KOKKUPANEK

Vt lk 268 - 269.

1. Ühendage toitejuhtme pistik lahti. Kandke kaitsekindaid.
2. Keerake lahti juhtlati pingutusmutter ja võtke maha ketiratta kaas.
3. Saekett peab olema suunatud keti pöörlemise suunda. Vastasel korral pöörake kett ümber.
4. Juhtige keti veo lülid soonde.
5. Asetage kett nii, et juhiku tagaosa juures oleks aas.
6. Hoidke ketti saelatil paigal ja pange ling ümber veoratta. Langetage saeleht, nii et poldi saab ketipingutuse sõlmes läbi ava suunata.
7. Pange ketiratta kate tagasi ja seejärel keerake keti pinge / juhtlati lukustusnupp kinni, pöörates seda päripäeva, kuni see lukustub. Kontrollige keti pinget sageli.
Keti pingus on nõuetekohane siis, kui saeketi löikehamba ja juhtlati vahel on vahe 3–4 mm. Parim viis keti pinguse mõõtmiseks on tõmmata ketti juhtlati alaosa keskel alla (juhtlatist eemale) ja mõõta seejärel lati ja keti liugpindade vaheline kaugus.
8. Pingutage ja lukustage keti pinge / juhtlati lukustusnupp, keerates seda päripäeva.

KETI PINGE SEADISTUS

Vt leht 279.

1. Ühendage see vooluvõrgust lahti Kandke kaitsekindaid.
2. Keti pinge korrigeerimiseks keerake keti pinge / juhtlati lukustusnupp täiesti lahti, seejärel keerake keti pinge

/ juhtlati lukustusnupp kinni, pöörates seda päripäeva, kuni see lukustub. Kontrollige keti pinget sageli.

Keti pingus on nõuetekohane siis, kui saeketi lõikehamba ja juhtlati vahel on vahe 3–4 mm. Parim viis keti pinguse mõõtmiseks on tõmmata ketti juhtlati alaosa keskel alla (juhtlatist eemale) ja mõõta seejärel lati ja keti liugpindade vaheline kaugus.

3. Pingutage ja lukustage keti pinge / juhtlati lukustusnupp, keerates seda päripäeva.

MÄRKUS: Veenduge, et juhtlati ja keti pingesõlm liigub vabalt ja seal ei ole mustust ning saekett on korralikult ümber ketiratta. Kui kett on väga pinges või liiga lõtv pärast keti pinge / juhtlati lukustusnupu lukustamist, kontrollige, kas juhtlati ja keti pingesõlm on puhtad ja korralikult ühendatud.

Vajaduse korral eemaldage ketiratta kate ja juhtlatt ning puhastage, seejärel paigaldage osad tagasi.

KASUTAMINE

KETIÖLI LISAMINE

Vt leht 269.

⚠ HOIATUS

Ärge mingil juhul kasutage ketti ilma õlita. Kui saekett liigub ilma õlita, võib juhtlatt vigastada saada. Tähtis on kontrollida õlitasemenäiturit õlitaset tihti ja enne ketsae kasutamist.

1. Saastumise vältimiseks pühkige kütusepaagi korgi ümbrus puhtaks.
2. Keerake õlipaagi kork lahti ja võtke see maha.
3. Valage õli paaki, jälgides sealjuures taset paagi vaateakna kaudu. Hoolitsege, et õli sissevalamisel ei satuks paaki mustust.
4. Pange õlipaagi kork oma kohale tagasi ja keerake lõpuni kinni. Pühkige ära kogu mahasattunud õli.
5. Täidetud õlipaagiga on võimalik saagida 12 – 18 minutit.

KETSAE HOIDMINE

Vt leht 269.

Hoidke ketsaagi alati nii, et teie parem käsi on tagumisel käepidemel ja vasak käsi eesmisel käepidemel. Hoidke saagi kahe käega nii, et põlved ja sõrmed on ümber käepidemete. Veenduge, et hoiate vasaku käega käepidemest nii kinni, et põial on allpool.

⚠ HOIATUS

Hoidke toitekaabel puhas ja eemal lõikepiirkonnast. Peale elektrilöögi ohu põhjustavad määrdund kaablid kukkumist ja komistamist.

KETSAE KÄIVITAMINE

Vt leht 269.

1. Ühendage toode vooluvõrku. Seadke ketipiduri tööolekusse (asend A) tõmmates hooba / käekaitset tagasi.
2. Toote käivitamine: Vajutage päästiku vabastamisülilit ja

seejärel vajutage sisse/välja päästikule.

KETIPIDURI KONTROLLIMINE JA KASUTAMINE

1. Rakendage ketipiduri oma vasaku käe pööramisega ümber eesmise käepideme. Kasutades oma käeselga, lükake kangi / käekaitset juhtlati suunas sel ajal kui kett liigub kiiresti. Kett peab otskome pöörlemise lõpetama. Hoidke kogu aeg sae käepidemetest kahe käega kinni.
2. Tagastage ketipiduri kangi / käekaitse tõmbamisega esikäepideme suunas tööasendisse kuni on kuulda klõpsatust.

⚠ HOIATUS

Kui ketipiduri ei peata ketti viivitamatult või kui ketipiduri ei jää ise tööasendisse, viige toode enne kasutamist parandamiseks volitatud teeninduskeskusse.

JUHTLATI JA SAEKETI VAHETAMINE

Vt lk 277 - 278.

1. Ühendage see vooluvõrgust lahti Kandke kaitsekindaid.
2. Keerake keti pinge / juhtlati lukustusnupp lahti, pöörates seda vastupäeva, kuni ketiratta kate lahti tuleb.
3. Eemaldage ketiratta kaas. Võtke saelt ära juhtlatt ja saekett.
4. Eemaldage juhtlatti saeketi pingesõlme küljes hoidev kruvi. Kõrvaldage kasutatud juhtlatt ja saekett kasutuselt õigesti.
5. Pange saeketi pingesõlm uuele juhtplaadile ja keerake kruvi kinni. Pange uus kett juhtlatile õiges suunas ja veenduge, et juhtlülid on juhtlati soone sees.
6. Kinnitage juhtlatt saele ja pange keti tagaosa lüüsi ümber keti ajamratta.
Pange ketiratta kaas tagasi.
7. Pingutage ja lukustage keti pinge / juhtlati lukustusnupp, keerates seda päripäeva.

Keti pingus on nõuetekohane siis, kui saeketi lõikehamba ja juhtlati vahel on vahe 3–4 mm. Parim viis keti pinguse mõõtmiseks on tõmmata ketti juhtlati alaosa keskel alla (juhtlatist eemale) ja mõõta seejärel lati ja keti liugpindade vaheline kaugus.

Reguleerige keti pingus välja. Juhinduge osast "Keti pinguse reguleerimine".

⚠ HOIATUS

Ebaõige teritamine suurendab tagasilöögi ohtu.

⚠ HOIATUS

Kahjustatud ketti välja vahetamata või parandamata jätmine võib põhjustada tõsiseid kehavigastusi.

⚠ HOIATUS

Saekett on äärmiselt terav. Ketti hooldades kandke alati kaitsekindaid.

KETIPIDURI KONTROLLIMINE JA PUHASTAMINE

Vt leht 280.

- Hoidke ketipiduri mehhanism puhas ja pühkige hoovastik kergelt harjaga puhtaks.
- Kontrollige pärast puhastamist ketipiduri toimimist. Lisateave saamiseks vaadake kasutusjuhendi osa "Kasutamine - Ketipiduri kontrollimine ja kasutamine".

HOOLDUSPLAAN

| Igapäevane kontrollimine | |
|--|---|
| Toitekaabli kontroll vigastuste suhtes | Enne igat kasutuskorda |
| Saeplaadi määrimine | Enne igat kasutuskorda |
| Keti pinge | Enne iga kasutuskorda ja korrapäraselt |
| Keti teravus | Enne iga kasutuskorda, välise vaatluse teel |
| Kahjustunud osade suhtes | Enne igat kasutuskorda |
| Lahtiste kinnitite suhtes | Enne igat kasutuskorda |
| Keti pidurdamise funktsioon | Enne igat kasutuskorda |
| Kontrollige ja puhastage | |
| Juhtlatti | Enne igat kasutuskorda |
| Kogu saag | peale igat kasutuskorda |
| Ketipidur | Iga 5 töötunni järel* |

*Töötunnid

MASINAL OLEVAD SÜMBOLID



Ohutusalane teave



Vigastusohu vähendamiseks peab kasutaja enne seadme kasutamist kasutusjuhendi läbi lugema ja endale selgeks tegema.



Kandke silma- ja kuulmiskaitsevahendeid ning kiivrit.



Kandke selle toote kasutamisel alati libisemiskindlaid turvajalatsaid.



Kandke libisemiskindlaid, tugevdatud kaitsekindaid.



Kui seadme toitejuhe on vigastatud või sellel on sisselõige, siis ühendage pistik vooluvõrgust enne parandamist kohe lahti.



Hoiduge saeketi tagasilöögi eest ja kokkupuutest saelati otsaga.



Ärge jätke vihma kätte või kasutage niiskes kohas.



Hoidke ja kasutage saagi korralikult mõlema käega.



Ärge kasutage saagi ainult ühe käega.



Vastab kõigile eeskirjadele EL-i liikmesriigis, kus toode on ostetud.



Euraasia vastavusmärk



Tööriista klass II, topeltisolatsiooniga



Ukraina vastavusmärgis



Mittekasutatavaid elektritooteid ei tohi visata olmejäätmete hulka. Vaid tuleb viia vastavasse kogumispunkti. Vajadusel küsige sellekohast nõu oma edasimüüjalt või vastavalt kohaliku omavalitsuse institutsioonilt.



Garanteeritud helivõimsuse tase on 104 dB (RCS1935B)



Garanteeritud helivõimsuse tase on 105 dB (RCS2340B)



Saelati ja keti määre



Ketipidur



Keerake juhtlatti lukustamiseks või vabastamiseks



Lukk



Lahtikeeramine



Saeketi liikumissuund. (Markeering on veoratta kaane all)

KASUTUSJUHENDI SÜMBOLID



Ühendage pistikupessa

EN
FR
DE
ES
IT
NL
PT
DA
SV
FI
NO
RU
PL
CS
HU
RO
LV
LT
ET
HR
SL
SK
BG
UK
TR



Võtke pistikupesast välja



Eraldi ostetavad osad või tarvikud



Märkus



Hoiatus



Kandke kaitseprille ja näomaski.



Kandke turvavesti.



Kasutage jalgade kaitsevahendeid.



Peatage tööriist.

Järgnevad märguandesõnad ja tähendused on mõeldud selle toote kasutamisega seotud riskitasemete kirjeldamiseks.

⚠ OHT.

Viitab kohe tekkivale ohtlikule situatsioonile, mis, kui ei väldita, lõpeb surma või tõsise vigastusega.

⚠ HOIATUS

Viitab võimalikule ohtlikule situatsioonile, mis, kui ei väldita, võib lõppeda surma või tõsise vigastusega.

⚠ ETTEVAATUST

Viitab võimalikule ohtlikule situatsioonile, mis, kui ei väldita, võib lõppeda väiksemate või keskmiste vigastusega.

ETTEVAATUST

Ilma hoiatussümbolita

Osutab olukorrale, mis võib põhjustada varakahju.

Vodeću ulogu u dizajnu Vašeg električnog motorne pile imaju sigurnost, performanse i pouzdanost.

NAMJENA

Električni lančana pila namijenjena je isključivo uporabi na otvorenom prostoru. Zbog sigurnosnih razloga, proizvod mora biti adekvatno upravljan pomoću dvije ruke u svakom trenutku.

Ovaj proizvod namijenjen je za rezanje grana, stabala, trupaca ili debla do promjera prema duljini vodilice lanca. Namijenjena je samo za rezanje drva. Smiju ga primjenjivati kućanstvu samo odrasle osobe koje su pohađale odgovarajuću obuku o opasnostima i preventivnim mjerama/radnjama koje se poduzimaju tijekom korištenja proizvoda.

Proizvod ne smiju koristiti djeca ili osobe koje ne nose odgovarajuću zaštitnu odjeću i obuću. Nije namijenjen za korištenje u svrhu profesionalne obrade stabala.

Nemojte koristiti oštricu u nikakvu drugu svrhu.

⚠ UPOZORENJE

Prilikom korištenja proizvoda moraju se slijediti sigurnosna pravila. Radi vaše i sigurnosti ostalih promatrača, prije rada s proizvodom pažljivo i potpuno pročitajte ove upute. Trebali prisustvovati profesionalno organiziranom tečaju o sigurnosti u korištenju, preventivnim mjerama, prvoj pomoći i održavanju motornih pila. Molimo vas da čuvate ove upute radi kasnijeg korištenja.

⚠ UPOZORENJE

Pile su potencijalno opasni alati. Nesreće koje uključuju korištenje pile često rezultiraju gubitkom uda ili smrću. Nije opasna samo pila. Padajuće grane, debla ili kotrljajući trupci također mogu ubiti. Oronula ili trula stabla također predstavljaju opasnost. Trebate procijeniti svoje mogućnosti sigurnog dovršetka zadatka. Ako imalo sumnjate, ostavite profesionalcima da obrežu stablo.

OPĆA SIGURNOSNA UPOZORENJA ZA ELEKTRIČNI ALAT

⚠ UPOZORENJE

Pročitajte sva sigurnosna upozorenja i sve upute. Nepridržavanje upozorenja i uputa može izazvati strujni udar, požar i/ili ozbiljne ozljede.

Sačuvajte ova upozorenja i upute kako biste ih naknadno mogli konzultirati.

Pojam „električni alat“ u upozorenjima odnosi se na vaš glavni alat (napajanje preko kabela) ili električni alat koji se napaja preko baterije (bez kabela).

RADNA OKOLINA

- **Držite radni prostor čistim i dobro osvijetljenim.** Zatrpani i neosvijetljeni radni prostori izazivaju nezgode.

- **Nemojte rukovati električnim alatima u eksplozivnim atmosferama u kojima su prisutne zapaljive tekućine, plinovi ili prašina.** Električni alati stvaraju iskre koje mogu zapaliti prašinu ili pare.
- **Tijekom rada s električnim alatom držite podalje djecu i promatrače.** Ometanje može dovesti do toga da izgubite kontrolu.

ELEKTRIČNA SIGURNOST

- **Utikači električnog alata moraju odgovarati utičnici.** Nikada nemojte modificirati utikače ni na koji način. Nemojte koristiti nikakve adapter utikače s uzemljenim električnim alatima. Originalni utikači i odgovarajuće utičnice smanjuju opasnost od strujnog udara.
- **Izbjegavajte kontakt tijela s uzemljenim površinama poput cijevi, radijatora, štednjaka i hladnjaka.** Ako je vaše tijelo uzemljeno, povećava se opasnost od strujnog udara.
- **Nemojte proizvod izlagati kiši ili vlažnim uvjetima.** Ulazak vode u električni alat povećava opasnost od strujnog udara.
- **Nemojte zlorabiti kabel.** Nikada nemojte koristiti kabel za nošenje, povlačenje ili isključivanje električnog alata. Držite kabel podalje od topline, ulja, oštrih rubova ili pokretnih dijelova uređaja. Oštećeni ili zapleteni kabeli povećavaju opasnost od strujnog udara.
- **Kada radite s električnim alatom na otvorenom, koristite produžni kabel prikladan za rad na otvorenom.** Korištenje kabela prikladnog za rad na otvorenom smanjuje opasnost od strujnog udara.
- **Ako se ne može izbjeći rad s električnim alatom u vlažnoj lokaciji koristite FID sklopku (RCD uređaj) za zaštitu napajanja.** Korištenje RCD uređaja smanjuje opasnost od električnog udara.

OSOBNJA SIGURNOST

- **Budite na oprezu, gledajte to što radite i pri radu s električnim alatom koristite zdrav razum.** Nemojte koristiti električni alat kad ste umorni ili pod utjecajem droge, alkohola ili lijekova. Trenutak nepažnje pri radu s električnim alatima može dovesti do teških osobnih ozljeda.
- **Koristite osobnu zaštitnu opremu.** Uvijek nosite zaštitna sredstva za oči. Zaštitna oprema poput maske za zaštitu od prašine, protukliznih sigurnosnih cipela, kacige, ili opreme za zaštitu sluha korištena u odgovarajućim uvjetima smanjit će tjelesne ozljede.
- **Spriječite slučajno pokretanje.** Osigurajte da je prije priključivanja na izvor napajanja i/ili baterije, podizanja ili nošenja alata, sklopka u položaju OFF (isključeno). Nošenje električnog alata s vašim prstom na sklopki ili uključivanje električnih alata sa sklopkom postavljenom na položaj on (uključeno) dovodi do nezgoda.
- **Prije uključivanja električnog alata uklonite sve klinove za podešavanje i ključeve.** Ključ ili klin ostavljen priključen na rotirajućem dijelu električnog alata može dovesti do osobne ozljede.
- **Ne sežite preko određene granice.** Cijelo vrijeme

držite pravilno uporište i ravnotežu. Ovo u neočekivanim situacijama omogućuje bolju kontrolu nad električnim alatom.

- **Pravilno se odjenite. Nemojte nositi široku odjeću ili nakit. Kosu, odjeću i rukavice držite podalje od pokretnih dijelova.** Široka odjeća, nakit ili dugačka kosa mogu biti zahvaćeni u pokretne dijelove alata.
- **Ako su uređaji opremljeni s priključkom aparata za odvajanje i prikupljanje prašine, osigurajte da su oni priključeni i pravilno korišteni.** Korištenje uređaja za sakupljanje prašine smanjuje opasnosti vezane uz prašinu.

KORIŠTENJE I BRIGA O ELEKTRIČNOM ALATU

- **Nemojte proizvod koristiti iznad njegovih mogućnosti. Za vašu primjenu koristite točan električni alat.** Točan električni alat bolje će i sigurnije uraditi posao u odnosu za što je namijenjen.
- **Nemojte koristiti električni alat ako ga sklopka pravilno ne uključuje i isključuje.** Svaki električni alat koji se ne može kontrolirati pomoću sklopke je opasan i mora se popraviti.
- **Prije nego što izvršite bilo kakva podešavanja, zamijenite dodatni pribor ili pohranite električne alate, odspojite utikač iz izvora napajanja i/ili bateriju iz električnog alata.** Ovakve preventivne sigurnosne mjere smanjuju opasnost od slučajnog pokretanja električnog alata.
- **Električne alate pohranite u stanju mirovanja izvan dohvata djece i ne dopustite rad s električnim alatom osobama koje nisu upoznate s električnim alatom ili ovim uputama.** Električni alati su opasni u rukama nestručnih korisnika.
- **Održavanje električnih alata. Provjerite radi pogrešnog poravnanja ili savijanja pokretnih dijelova, puknuća dijelova i drugih uvjeta koji mogu utjecati na rad električnog alata. Ako je oštećen, električni alat prije korištenja popravite.** Većina nezgoda uzrokovano je od strane električnih alata koji su slabo održavani.
- **Rezne alate držite oštrim i čistim.** Pravilno održavanjem reznim alatima s oštrim rubovima za rezanje, manja je vjerojatnost zahvaćanja i lakše se kontroliraju.
- **Koristite električni alat, pribor i dijelove alata itd., u skladu s ovim uputama i uzevši u obzir radne uvjete i rad koji treba izvršiti.** Korištenje električnog alata za radove drugačije od njegove namjene može dovesti do opasne situacije.
- **Održavajte ručke i površine hvata suhim, čistim i da na njima nema ulja i masti.** Skliske ručke i površine za hvatanje ne omogućuju sigurno rukovanje i kontrolu alata u neočekivanim situacijama.

ODRŽAVANJE

- **Neka vaš električni alat servisira kvalificirana osoba za popravak koristeći samo identične zamjenske dijelove.** Ovo će osigurati da se održi sigurnost električnog alata.

DODATNA OPĆA SIGURNOSNA UPOZORENJA

- Neke regije imaju pravila koja ograničavaju korištenje proizvoda. Provjerite kod lokalnih tijela za savjet.
- Nikada nemojte dopustiti korištenje ovog proizvoda djeci ili osobama koje nisu upoznate s ovim uputama. Moguće je da lokalni propisi propisuju starosnu dob rukovatelja.
- Osigurajte prije svakog korištenja da svi upravljački elementi i sigurnosni uređaji pravilno funkcioniraju. Ne koristite električni alat ako sklopka „isključeno“ ne zaustavlja motor.
- Za vrijeme rada proizvodom nosite potpunu zaštitu za oči i sluh, čvrste radne rukavice, te zaštitu za glavu. Koristite masku ukoliko radite u prašini.
- Nemojte nositi široku odjeću, kratke hlače ili nakit bilo kakve vrste.
- Osigurajte dugu kosu na način da je iznad razine ramena kako biste spriječili zahvaćanje u pokretne dijelove.
- Čuvajte se odbačenih, letećih ili padajućih predmeta. Sve nazočne osobe, djecu i životinje držite na udaljenosti od najmanje 15 m od radnog područja.
- Nemojte raditi u slabom osvjetljenju. Operateru treba jasan pogled radnog područja kako bi identificirao potencijalne opasnosti.
- Korištenje zaštite za sluh smanjuje vašu mogućnost da čujete upozorenja (viku ili alarme). Rukovatelj mora obratiti posebnu pozornost na to što se događa u radnom području.
- Rad u blizini sličnim alatom dovodi do opasnosti povreda sluha i mogućim ulaskom drugih osoba u radno područje.
- Zauzmite čvrst stav i ravnotežu. Ne sežite preko određene granice. Naginjanje preko ruba može dovesti do gubitka ravnoteže i može povećati opasnost povratnog udara.
- Držite sve dijelove tijela dalje od svih pokretnih dijelova.
- Prije korištenja provjerite uređaj. Provjerite ispravnost rada svih kontrola uključujući kočnicu lanca. Provjerite sve olabavljene zatezače, osigurajte da su svi štitnici, deflektori i ručke pravilno i čvrsto priključeni. Prije korištenja zamijenite sve oštećene dijelove.
- Nemojte modificirati uređaj ni na koji način ili koristiti dijelove ili dodatni pribor koje nije preporučio proizvođač.
- Vršna struja uzrokuje fluktuacije napona i može utjecati na druge električne proizvode na istoj liniji napajanja. Spojite proizvod na izvor napajanja s impedancijom jednakom 0.33 Ω do minimalne fluktuacije napona. Obratite se dobavljaču električne energije za daljnje informacije.

▲ UPOZORENJE

Ako je proizvod ispao, pretrpio težak udar ili abnormalno vibrira, odmah zaustavite proizvod i provjerite na oštećenje ili identificirajte uzrok vibracija. Svaki oštećeni dio trebao bi pravilno popraviti ili zamijeniti ovlašteni servisni centar.



- Napajanje treba biti putem FID sklopke (RCD uređaj) s proradnom strujom ne većom od 30 mA.
- Ako trebate koristiti produžni kabel, osigurajte da je prikladan za korištenje na otvorenom i da ima dovoljan kapacitet za napajanje proizvoda. Prije svakog korištenja provjerite na oštećenja. Uvijek odmotajte kabel za napajanje tijekom korištenja jer se namotani kabel može pregrijati. Oštećene produžne kabele ne treba popravljati, treba ih zamijeniti s odgovarajućim tipom.
- Ako je naponski kabel oštećen, obavezno ga zamijenite prije korištenja proizvoda
- Provjerite je li kabel za napajanje pravilno pozicioniran tako da ne može biti oštećen rezanjem i da se na njega ne može stati, zapeti ili drugim predmetima oštetiti ili naprezati.
- Nikada ne podižite ili nosite proizvod za električni kabel.
- Nikada ne povlačite za kabel kako biste ga odspojili iz napajanja.
- Držite kabel za napajanje podalje od topline, ulja i oštrih rubova.
- Prije svakog korištenja, provjerite kabel za napajanje na oštećenje. Ako postoje znakovi oštećenja, mora ga zamijeniti kvalificirana osoba u ovlaštenu servisnom centru kako bi se izbjegla opasnost.

SIGURNOSNA UPOZORENJA VEZANO ZA PILU

- Tijekom rada s proizvodom, sve dijelove tijela držite podalje od lanca pile. Prije pokretanja pile provjerite da lanac pile ne dodiruje ništa. Trenutak nepažnje prilikom rukovanja s pilama može dovesti do zahvaćanja vaše odjeće ili tijela s lancem pile.
- Uvijek držite pilu vašom desnom rukom na stražnjoj ručki i vašom lijevom rukom na prednjoj ručki. Držanje pile obrnutim rukama povećava opasnost od osobnih ozljeda i nikada tako ne treba raditi.
- Električni alat držite isključivo za izolirane površine za hvatanje, pošto lanac pile može dotaknuti skriveno ožičenje ili svoj vlastiti kabel. Dodirivanje „žive“ žice lancem pile može izložiti metalne dijelove alata električnoj energiji i dovesti do strujnog udara na operatera.
- Nosite zaštitne naočale i zaštitu za sluh. Preporuča se dodatna zaštitna oprema za glavu, ruke, noge i stopala. Odgovarajuća zaštitna odjeća smanjit će osobne ozljede od letećih krhovina ili slučajnog dodira s lancem pile.
- Nemojte raditi s pilom na stablu. Rad s pilom dok ste na stablu može dovesti do osobnih ozljeda.
- Uvijek držite pravilno uporište i radite s pilom samo kada stojite na čvrstoj, sigurnoj i ravnoj površini. Skliska ili nestabilna površina kao što su ljestve, može dovesti do gubitka ravnoteže ili kontrole pile.
- Kada režete granu koja je zategnuta pazite se povratnog udara. Kada je zategnutost vlakana u drvetu otpuštena, zategnuta grana može udariti operatera i/ili nekontrolirano odbaciti pilu.
- Poduzmite posebne mjere opreza prilikom rezanja žbunja ili mladica. Tanki materijal može se zahvatiti

lancem pile i biti odbačen prema vama ili vas izbaciti iz ravnoteže.

- **Nosite isključenu pilu držeći je za prednju ručku i dalje od tijela. Kada transportirate ili skladištite pilu uvijek postavite pokrov vodilice lanca.** Pravilno rukovanje pilom smanjit će vjerojatnost slučajnog dodira s pokretnim lancem pile.
- **Sljedite upute za podmazivanje, zatezanje lanca i promjenu dodatnog pribora.** Nepravilno zategnut ili podmazan lanac može puknuti ili povećati šansu za povratni udar.
- **Održavajte ručke suhim, čistim i da na njima nema ulja i masti.** Umasćene i nauljene ručke su skliske i mogu dovesti do gubitka kontrole.
- **Režite samo drva. Nemojte koristiti pilu za svrhe za koje nije namijenjena. Primjerice, nemojte koristiti pilu za rezanje plastike, zidarja ili materijala za gradnju koji nisu od drva.** Korištenje pile za radove drugačije od njezine namjene može dovesti do opasne situacije.

Uzroci i mjere operatera za sprečavanje povratnog udara:

Može doći do odskakivanja ako kraj vodilice lanca dođe u dodir s nekim predmetom ili ako se lanac priklješti i blokira u drvetu tijekom rezanja.

Dodir u nekim slučajevima može dovesti do iznenadne povratne reakcije, odbacivanja vodilice lanca prema gore i unatrag prema operateru.

Prignječenje lanca pile uzduž gornje strane vodilice može brzo gurnuti vodilicu unatrag prema rukovatelju.

U oba slučaja možete izgubiti nadzor nad motornom pilom i teško se ozlijediti. Nemojte se pouzdati samo u zaštitu koja je integrirana u motornu pilu. Morate poduzeti i dodatne mjere kako biste izbjegli opasnost od nezgoda i ozljeda.

Povratni udar je rezultat nepravilnog korištenja i/ili nepravilnih postupaka rukovanja ili uvjeta i može se izbjeći tako da se poduzmu pravilne mjere opreza navedene u nastavku:

- **Održavajte čvrsti stisak, s palčevima i prstima koji okružuju ručke pile, s obje ruke na pili i u položaju tijela i ramena koji vam omogućuje otpor silama povratnog udara.** Ako su poduzete pravilne mjere opreza sile povratnog udara mogu biti kontrolirane od strane operatera. Nemojte ispustiti pilu.
- **Nemojte se naginjati preko ruba i nemojte rezati iznad visine ramena.** Ovo pomaže u sprečavanju nenamjernih dodira i omogućuje bolju kontrolu pile u neočekivanim situacijama.
- **Koristite samo zamjenske vodilice i lance navedene od proizvođača.** Nepravilna zamjena vodilica ili lanaca može dovesti do puknuća lanca i/ili povratnog udara.
- **Poštujte upute proizvođača vezane uz brušenje i održavanje lanca.** Smanjenje visine limitatora dubine može dovesti do povećanja povratnog udara.

DODATNA SIGURNOSNA UPOZORENJA ZA PILU

- Preporučuje se da kada po prvi puta radite s proizvodom trupce režete na konju za rezanje ili postolju.
- Osigurajte da su svi štitnici, ručke i šiljci odbojnika

| |
|-----------|
| EN |
| FR |
| DE |
| ES |
| IT |
| NL |
| PT |
| DA |
| SV |
| FI |
| NO |
| RU |
| PL |
| CS |
| HU |
| RO |
| LT |
| LV |
| ET |
| HR |
| SL |
| SK |
| BG |
| UK |
| TR |



pravilno pričvršćeni i da su ispravni.

- Osobe koje koriste ovaj proizvod trebaju biti zdrave. Proizvod je težak, stoga rukovatelj mora biti u dobroj tjelesnoj formi. Operater treba biti oprezan, imati dobar vid, pokretljivost, ravnotežu i spretnost. Ako niste sigurni, ne radite s proizvodom.
- Ne započinjte s radom ako nemate čisto radno područje i planirani put izvlačenja od padajućeg stabla.
- Pazite se maglice od sredstva za podmazivanje i prašine od pile. Po potrebi nosite masku ili respirator.
- Ako se električni kabel ošteti, proizvod nosite na servisiranje samo u ovlašteni servisni centar.
- Uvijek držite kabel za napajanje urednim i dalje od područja rezanja. Za razliku od strujnog udara, neuredani kabeli uzrokuju padove i spalivanja.
- Ne režite vinovu lozu i/ili nisko raslinje (manje od 75 mm u promjeru).
- Tijekom rada lančanu pilu uvijek držite čvrsto, s obje ruke. Čvrsto držite motornu pilu tako da vaši prsti objuime ručke. Desna ruka mora biti na stražnjoj ručki, a lijeva ruka na prednjoj ručki.
- Prije pokretanja proizvoda osigurajte da lanac pile nije u dodiru s okolnim predmetima.
- Proizvod nipošto nemojte mijenjati niti koristiti za pokretanje priključaka ili uređaja koje nije preporučio proizvođač vaše pile.
- Pored operatera treba postojati komplet za prvu pomoć koji sadrži velike obloge za rane i sredstvo za prizivanje pomoći (npr. zviždaljka). Mnogo veći, sadržajni komplet treba biti također blizu.
- Cijelo vrijeme dok radite proizvodom obavezno nosite zaštitnu kacigu Zaštitna kaciga s mrežastim vizorom pomaže u smanjivanju rizika od ozljeda lica i glave u slučaju povratnog udara.
- Nepravilno zategnut lanac može iskočiti iz vodilice i dovesti do ozbiljnih ili fatalnih ozljeda. Duljina lanca ovisi o temperaturi. Često provjeravajte zategnutost.
- Trebate se naviknuti na rad sa svojom novom pilom radeći jednostavne posjekotine na sigurno podloženom drvetu. Ovo uvijek činite kada neko vrijeme niste radili s pilom.
- Kako biste smanjili rizik od ozljeda povezan s doticanjem dijelova u pokretu, uvijek zaustavite motor, primijenite kočnicu lanca i izvucite utikač iz električne utičnice. Provjerite da su svi pokretni dijelovi zaustavljeni:
 - prije ostavljanja proizvoda bez nadzora
 - prije čišćenja i odblokiranja
 - prije ugradnje ili uklanjanja priključaka
 - prije provjere, održavanja ili rada na uređaju
- Površina zona rada ovisi o poslu koji trebate obaviti kao i o visini drveta ili komada koji obrađujete. Primjerice, padajuća stabla trebaju veće radno područje od drugih rezanja, npr. rezanja na mjeru itd. Operater treba biti upozoren i imati pod kontrolom sve događaje u području rada.
- Nemojte rezati s tijelom u liniji s vodilicom o lancem. Ako dođe do povratnog udara ovo će pomoći spriječiti da lanac dođe u dodir s vašom glavom ili tijelom.
- Nemojte koristiti stražnji i prednji pokret rezanja, pustite

da lanac radi, održavajte lanac oštirim i ne pokušavajte gurnuti lanac kroz rez.

- Ne primjenjujte silu na motornu pilu na kraju rezanja. Spremite se da preuzmete težinu pile kad prođe kroz drvo. Nepoštuivanje ove upute može dovesti do mogućih ozbiljnih osobnih ozljeda.
- Ne zaustavljajte pilu usred rezanja. Neka se pila pokreće iako je već uklonjena iz reza.

Osobna zaštitna oprema

Kvalitetna, osobna zaštitna oprema kakvu koriste profesionalci pomaže smanjiti opasnost od ozljeda operatera. Sljedeće predmete treba koristiti prilikom korištenja pile:

Sigurnosna kaciga

- treba biti u skladu s EN 397 i označena CE

Zaštita za sluh

- treba biti u skladu s EN EN 352-1 i označena CE

Zaštita za vid i lice

- treba imati oznaku CE i biti u skladu s EN 166 (za sigurnosno staklo) ili EN 1731 (za mrežne vizire)

Rukavice

- treba biti u skladu s EN381-7 i označena CE

Zaštita nogu (navlake preko hlača)

- treba biti u skladu s EN381-5, označena CE i pružati potpunu zaštitu.

Zaštitna obuća za rad s pilom

- treba biti u skladu s EN ISO 20345:2004 i treba biti označena sa prikazom štitičnika za pilu kako bi prikazala da je u skladu s EN 381-3. (Povremeni korisnici mogu koristiti čelične zaštitne čizme sa zaštitnim potkoljenicama koje udovoljavaju normi EN 381-9, ako je tlo ravno i mala je opasnost saplitanja ili zahvaćanja raslinja)

Jakne za rad s pilom za zaštitu gornjeg dijela trupa

- treba biti u skladu s EN EN 381-11 i označena CE

UPUTE PODRAZUMIJEVAJU PRAVILNE TEHNIKE OSNOVA OBARANJA, OBREZIVANJA I REZANJA U KOSO

Razumijevanje sila u drvetu

Kada razumijete smjerove tlaka i stresa unutar drveta, možete smanjiti „prignječenja“ ili ih očekivati tijekom rezanja. Naprezanja u drvetu znače da se vlakna razdvajaju te da ako režete u ovom području „usjek“ ili rez se može otvoriti jer pila prolazi kroz njega. Ako je trupac oslonjen na konju za rezanje, a kraj visi neoslonjen preko ruba, dolazi do naprezanja na gornjoj površini jer težina prekomjernog vješanja napreže vlakna trupaca. Isto tako, donja strana trupca će biti pod pritiskom i vlakna se guraju zajedno. Ako režete u ovom području usjek će nastojati da se zatvori tijekom rezanja. Ovo će prignječiti oštricu.

Obaranje stabala

Pogledajte sliku 273 - 274.

Kada se radovi rezanja trupca na određenu duljinu i obaranja istovremeno izvode od strane dvije ili više osoba, radovi obaranja trebaju biti odvojeni od radova rezanja trupca na određenu duljinu na udaljenosti od najmanje dvije duljine visine stabla koje se obara. Stabla se ne smiju

obarati na način da dovedu u opasnost bilo koju osobu, udare bilo koju komunalnu uslužnu liniju ili uzrokuju neku štetu na vlasništvu. Ako stablo dođe u kontakt s bilo kojom komunalnom uslužnom linijom, odmah treba obavijestiti nadležnu komunalnu službu.

Ako je teren na padini, uvijek budite na višem dijelu terena jer se stablo može otkrotiti ili skliznuti niz padinu kad se obori.

Put za uzmak treba planirati i po potrebi očistiti prije nego rezanje započne. Put za uzmak treba se protezati unatrag i dijagonalno na stražnju liniju očekivanog pada.

Prije nego obaranje započne, za ocjenu kuda bi stablo moglo pasti uzмите u obzir prirodno naginjanje stabla, lokaciju većih grana i smjer vjetrova.

Uklonite blato, kamenje, koru drveta, čavle, spojnice i žiču sa stabla.

Nemojte pokušavati obarati drveće koje je trulo ili oštećeno naletima vjetrova, vatre, udarom groma, i sl. Ovo je izuzetno opasno i to trebaju izvoditi samo profesionalni drvosječe.

■ Urezivanje podsijecanjem

Pogledajte sliku 273 - 274.

Napravite usjek veličine 1/3 promjera stabla, okomito na smjer pada. Najprije učinite donji vodoravni urez. Ovo pomaže da kada napravite drugi urez izbjegnute prignječenje lanca pile ili vodilice.

■ Stražnji rez za obaranje

Pogledajte sliku 273 - 274.

Učinite stražnji rez za obaranje najmanje 50 mm/2 viš od vodoravnog reza urezivanja. Neka stražnji rez za obaranje bude paralelan na vodoravni rez urezivanja. Napravite stražnji rez za obaranje tako da ostane dovoljno drveta da djeluje kao zglobov. Drveni zglobov stabla drži stablo od uvrtanja i padanja u krivom smjeru. Nemojte rezati kroz zglobov.

Kako se rez za obaranje bliži prema zglobov, stablo počinje padati. Ako postoji ikakva šansa da stablo možda ne padne u željenom smjeru ili se možda zaljulja unazad i zahvati lanac pile, prestanite rezati prije završetka stražnjeg reza za obaranje i upotrijebite drvene, plastične ili aluminijske klinove kako biste otvorili rez i pustili stablo uzduž željene linije pada.

Kada stablo počne padati uklonite pilu iz reza, zaustavite motor, odložite pilu i povucite se planiranim putem. Pazite na padajuće grane iznad glave i gledajte gdje stajete.

Rezanje potpornog korijenja

Pogledajte stranicu 274.

Potporno korijenje je veliko korijenje koje viri iz stabla drveta iznad zemlje. Odrežite velike korijene prije nego što počnete s obaranjem. Prvo načinite vodoravni usjek u potpornom korijenu, a zatim okomiti. Oslobođite tako izrezani dio iz zone rada. Nastavite s obaranjem nakon što ste uklonili potporno korijenje.

Guranje i povlačenje

Reakcijska snaga uvijek se ostvaruje u suprotnom smjeru od smjera okretanja lanca. Stoga operater mora biti spreman kontrolirati tendenciju proizvoda da povlači prema naprijed (od operatera) prilikom rezanja donjim rubom

vodilice. Uvijek čvrsto držite nazubljeni odbojnik kako biste spriječili takvo gibanje. Proizvod može gurnuti unatrag (prema operateru) prilikom rezanja duž gornjeg ruba. Kako biste to izbjegli, pazite da ne dođe do zaglavljivanja lanca prilikom rezanja gornjim rubom.

Zaglavljenje pile u rezu

Zaustavite pilu i osigurajte je. Ne pokušavajte silom izvući lanac i vodilicu iz reza jer će to dovesti do pucanja lanca koji se može okrenuti natrag i udariti operatera. Do ove situacije obično dolazi jer je drvo krivo poduprto i rez se prisiljava da se zatvori pod pritiskom čime štapa oštircu. Ako podešavanje potporna ne oslobodi vodilicu i lanac, koristite drvene klinove ili polugu za otvaranje reza i oslobađanje pile. Nikada ne pokrećite pilu ako je vodilica već u rezu ili usjeku.

Sklizanje / odsakanje

Ako motorna pila za vrijeme rezanja ne uđe u materijal, vodilica lanca pile može početi odskakati ili opasno sklizati duž površine grane, što može uzrokovati gubitak kontrole nad motornom pilom. Kako biste spriječili ili smanjili sklizanje ili odsakanje, pilu uvijek držite objema rukama. Provjerite nastaje li ispod lanca pile utor za rezanje.

Nikada nemojte motornom pilom rezati male savitljive grančice ili četke. Njihova veličina i savitljivost mogu lako dovesti do odsakivanja pile unatrag prema vama ili odbacivanja prema gore s dovoljnom silom za povratni udar. Najbolji alat za takvu vrstu rada su ručne pile, sjekači, sjekire i drugi ručni alati.

Rezanje trupca na određenu duljinu

Pogledajte stranicu 275.

Trupci se režu na određene duljine. Vrlo je važno da ste sigurni da je vaše uporište čvrsto i da je vaša težina jednako raspoređena na oba stopala. Kada je to moguće, trupac bi trebalo podignuti i poduprijeti granama, trupcima ili klinovima. Za lakše rezanje slijedite jednostavne upute: Kada je trupac podložen uzduž cijele duljine, reže se s gornje strane (preko trupca).

Kada je trupac podložen s jednog kraja, reže se 1/3 promjera od donje strane (ispod trupca). Potom izvršite završni rez preko trupca kako biste susreli prvi rez.

Kada je trupac podložen s oba kraja, reže se 1/3 promjera od gornje strane (ispod trupca). Potom izvršite završni rez s donje strane manje 2/3 kako biste susreli prvi rez.

Kada režete trupac na kosini, uvijek stanite na gornju stranu trupca. Kada „režete kroz trupac“, za održavanje potpune kontrole otpustite pritisak rezanja blizu kraja reza bez opuštanja zahvata na ručkama pile. Ne dozvolite da lanac dodiruje zemlju. Nakon dovršetka reza pričekajte da se zaustavi lanac pile prije nego maknete pilu. Prije prebacivanja sa stabla na stablo uvijek zaustavite pilu.

Obrezivanje stabla

Pogledajte stranicu 276.

Obrezivanje je uklanjanje grana s palog stabla. Prilikom obrezivanja ostavite velike niže grane da podupiru trupac sa zemlje. Uklonite male grane u jednom rezu. Grane koje su zategnute treba rezati odozdo prema gore kako bi se izbjeglo zahvaćanje lanca pile.

Napete grane

Pogledajte stranicu 276.

Savijeno šiblje je grana, panj bez korjena ili grm koji je savijen zbog nekog drugog komada drveta, tako da se naglo otpušta kad odrežemo ili uklonimo komad tog drveta koji ga drži.

Panj bez korijena oborenog stabla vrlo se lako može odvojiti od debla i vratiti u okomit položaj tijekom rezanja kako bi ga odvojio od trupla. Pazite na savijeno šiblje, opasno je. Nemojte pokušavati rezati balvane ili panjeve koji su pod tlakom osim ako niste profesionalno obučeni i kompetentni za to.

▲ UPOZORENJE

Savijeno šiblje je opasno je jer vas može udariti i možete izgubiti kontrolu nad motornom pilom. Što može dovesti do teških ili smrtonosnih ozljeda. Ovo trebaju vršiti obučeni korisnici.

PRIJEVOZ I SKLADIŠTENJE

Pogledajte sliku 281 - 284.

- Zaustavite proizvod i odvojite ga od izvora napajanja. Dozvolite da se proizvod ohladi prije nego što ga uskladištite ili odnesete u vozilo.
- Očistite svaki strani materijal s uređaja. Skladištite ga na suhom i dobro ventiliranom mjestu koje nije pristupačno djeci. Nemojte ju ostavljati u blizini korozivnih agenasa kao ni vrtnih kemijskih proizvoda i soli za odmrzavanje. Ne ostavljajte na otvorenom.
- Prije spremanja uređaja ili tijekom transporta postavite štitičnik vodilice.
- Za prijevoz, osigurajte uređaj protiv pomicanja ili pada kako biste spriječili povrede osoba ili oštećenja na uređaju.

ODRŽAVANJE

Uvijek proizvod održavajte u dobrom radnom stanju.

▲ UPOZORENJE

Koristite samo originalne zamjenske dijelove, dodatni pribor i priključke od proizvođača. Nepoštivanje ovih uputa može dovesti do mogućih ozljeda, loše učinkovitosti i može dovesti do poništenja jamstva.

▲ UPOZORENJE

Servisiranje iziskuje krajnju pažnju i znanje i treba da ga vrši samo kvalificirani serviser. Neka se proizvod servisira samo u ovlaštenom servisnom centru. Prilikom servisiranja, koristite samo originalne zamjenske dijelove od proizvođača.

▲ UPOZORENJE

Prije čišćenja, prilagođavanja ili obavljanja radova održavanja na proizvodu odvojite proizvod od izvora električnog napajanja. Nepoštivanje ove upute može dovesti do ozbiljnih osobnih ozljeda.

- Možete samo vršiti podešavanje ili popravke opisane u ovom manualu. Za ostale popravke, neka se proizvod servisira samo u ovlaštenom servisnom centru.
- Posljedice nepravilnog održavanja, uklanjanja ili modifikacije sigurnosnih značajki kao što su kočnica lanca, štitičnik za ruke (prednji i stražnji), nazubljeni odbojnik, hvatač lanca, mač pile ili lanac pile s niskim povratnim udarom, mogu uzrokovati neispravnost sigurnosnih značajki, čime se povećava mogućnost ozbiljnih tjelesnih ozljeda. Proizvod održavajte na profesionalan i siguran način.
- Oštrenje lanca pile je zahtjevan zadatak. Stoga proizvođač izričito preporučuje istrošenog ili tupog lanca novim, dostupnim u vašem ovlaštenom servisnom centru. Broj dijela dostupan je u tablici specifikacija proizvoda u ovom priručniku.
- Slijedite upute za podmazivanje i provjeru zategnutosti i podešavanje lanca.
- Nakon svakog korištenja proizvod obrišite sa suhom mekom krpom.
- Često provjeravajte sve matice i zavrtnje da li su dobro pritegnuti kako biste bili sigurni da je kosilica u sigurnom radnom stanju. Svaki oštećeni dio trebao bi pravilno popraviti ili zamijeniti ovlašteni servisni centar.

OSTALE OPASNOSTI:

Čak i kad je proizvod korišten kao što je prethodno opisano, još uvijek nije moguće potpuno isključiti ostale čimbenike opasnosti. Može doći do sljedećih opasnosti tijekom korištenja i operater mora obratiti posebnu pozornost kako bi izbjegao sljedeće:

- Ozljede uzrokovane vibracijom
 - Koristite točan alat za posao. Koristite označene ručke. Ograničite radno vrijeme i izloženost.
- Izlaganje buci može izazvati povredu sluha.
 - Nosite zaštitu za sluh i ograničite izloženost
- Kontakt s izloženim zupcima lanca pile (opasnost od posjekotina).
- Nepredviđena, nenadana kretnja ili povratni udar vodilice lanca (opasnost od porezotina).
- Dijelovi izbačeni iz lanca pile (opasnost od porezotina).
- Izbacivanje komada izratka (drveno iverje, odlomci).
- Udisanje piljevine i čestica.
- Doticaj kože s uljem.

SMANJENJE OPASNOSTI

Prijavljeno je da vibracije alata koje se drži u ruci kod određenih pojedinaca mogu doprinijeti stanju pod nazivom Raynaud's Syndrome. Simptomi mogu uključivati trnce, ukočenost i bjelinu prstiju, obično uočljivo po izlaganju hladnoći. Smatra se da nasljedne osobine, izlaganje

hladnoći i vlazi, dijeta, pušenje i radni postupci pridonose razvoju ovih simptoma. Postoje mjere koje operator može poduzeti kako bi smanjio moguće učinke vibracije:

- Održavajte svoje tijelo toplim u hladnim vremenskim uvjetima. Kad radite s uređajem nosite rukavice kako biste ruke i zglobove održavali toplima. Prijavljeno je da je hladnoća glavni čimbenik koji doprinosi Raynaud's Syndrome.
- Nakon svakog perioda rada vježbajte kako biste povećali cirkulaciju krvi.
- Uzimajte česte stanke u radu. Ograničite količinu izlaganja po danu.
- Zaštitne rukavice dostupne od dobavljača opreme profesionalnih pila su posebno dizajnirane za pilu, te pružaju zaštitu, dobro držanje i smanjuju učinak vibracije na ručku.

Ako osjetite neke od simptoma ovog stanja, odmah prekinite korištenje i obratite se svome liječniku vezano uz ove simptome.

▲ UPOZORENJE

Povrede mogu biti uzrokovane ili zadobivene produljenim korištenjem alata. Kada koristite bilo koji alat dulje vremena, osigurajte da uzimate povremene stanke.

UPOZNAJTE SVOJ PROIZVOD

Pogledajte stranicu 267.

1. Lanac
2. Vodicica lanca
3. Prednji štitnik za ruku/kočnica lanca
4. Prednja ručka
5. Blokada otonca
6. Stražnja ručica
7. Odbojni zupci
8. Čep spremnika za ulje
9. Držac kabela
10. Okidač
11. Pokrov zupčanika
12. Zatezanje lanca / Gumb za blokiranje vodicice
13. Pokrov vodicice lanca
14. Hvatač lanca

SIGURNOSNI UREDAJI

Lanac sa slabom tendencijom odskakivanja

lanac pile za smanjeni udar pomaže smanjenju mogućnosti povratnog udara.

Limitatori dubine koji se nalaze na prednjoj strani svakog zupca mogu smanjiti snagu odskakivanja te se tako izbjegava da zupci preduboko uđu u zonu odskakivanja. Koristite samo zamjenske vodicice i lance navedene od proizvođača.

Udvostručite oprez nakon što ste naoštrili lanac vaše motorne pile jer brušenje čini lanac manje otpornim na odskakivanje. Iz sigurnosnih razloga, zamijenite lanac pile kada se smanji rezna učinkovitost.

Odbojni zupci

Integralni odbojni zupci mogu se koristiti za navođenje (središnja točka) kod prvog reza. Pomaže održati tijelo pile stabilnim tijekom rezanja. Prilikom rezanja, gurnite uređaj prema naprijed dok se šiljci ne uđu koru drveta, a zatim pomicanjem stražnje ručke prema gore ili prema dolje u smjeru rezanja pomaže olakšati tjelesni napor rezanja

Vodilica lanca

Općenito, vodicice s malim promjerom vrha imaju više mogućnosti za povratni udar. Trebate koristiti vodicicu i odgovarajući lanac koji su dovoljno dugi za zadatak. Dulja vodicica povećava opasnost od gubitka kontrole tijekom rezanja. Redovito provjeravajte zategnutost lanca. Kada režete manje grane (manje od pune duljine vodicice) lanac će vjerojatno iskočiti ako napetost nije pravilna.

Kočnica lanca

Kočnica lanca osmišljena je kako bi se brzo moglo zaustaviti okretanje lanca. Lanac se treba zaustaviti odmah nakon što se poluga kočnice/štitnik za ruku gurne prema naprijed. Kočnica lanca ne sprječava učinak odskakivanja. To samo smanjuje rizik od ozljede ako lanac dođe u kontakt s tijelom operatera tijekom događaja povratnog udara. Kočnicu lanca treba ispitati prije svakog korištenja za pravilan rad kako u pokrenutom tako i u položaju kočenja.

Hvatač lanca

Hvatač lanca sprječava izbacivanje lanca prema operateru u slučaju opuštanja napetosti ili pucanja lanca.

POSTAVLJANJE

▲ UPOZORENJE

Ukoliko je bilo koji dio oštećen ili nedostaje ne koristite ovaj proizvod sve dok se ti dijelovi ne nadomjeste. Nepoštivanje ovog upozorenja može dovesti do ozbiljnih osobnih ozljeda.

SKLAPANJE LANCA PILE I VODILICE

Pogledajte sliku 268 - 269.

1. Priključite glavni utikač. Nosite zaštitne rukavice.
2. Odvijte gumb za blokiranje vodicice i uklonite pokrov zupčanika.
3. Lanac pile treba gledati u smjeru rotacije lanca. Ako su okrenuti u suprotnom smjeru, okrenite omču koju ste načinili.
4. Postavite karike za pogon lanca u šinu vodicice.
5. Lanac postavite tako da formira navoj u pozadini vodicice lanca.
6. Držite lanac u položaju na vodicici i postavite omču oko poklopca zupčanika. Spustite vodicicu tako da svornjak prolazi kroz otvor u sklopu priključenog natezača lanca.
7. Vratite na mjesto poklopac lančanika, a zatim zategnite gumb za blokiranje napetosti lanca/mača pile okrećući ga u smjeru okretanja kazaljki na satu sve dok se ne blokira i ne sjedne na svoje mjesto. Često provjeravajte napetost lanca.

Nategnutost lanca je pravilna kada je razmak između rezača na lancu i vodicice između 3 mm i 4 mm.

EN
FR
DE
ES
IT
NL
PT
DA
SV
FI
NO
RU
PL
CS
HU
RO
LV
LT
ET
HR
SL
SK
BG
UK
TR

Povucite lanac na sredini donje strane vodilice prema dolje (dalje od vodilice) i izmjerite udaljenost između vodilice i rezača lanca.

- Zategnite i blokirajte gumb za blokiranje napetosti lanca/mača pile okrenuvši ga u smjeru okretanja kazaljki na satu.

PODEŠAVANJE ZATEGNUTOSTI LANCA

Pogledajte stranicu 279.

- Odspojite ga s izvora napajanja. Nosite zaštitne rukavice.
- Kako biste korigirali napetost lanca, do kraja otpustite gumb za blokiranje napetosti lanca/mača pile, a zatim zategnite gumb za blokiranje napetosti lanca/mača pile okrećući ga u smjeru okretanja kazaljki na satu sve dok se ne blokira i ne sjedne na svoje mjesto. Često provjeravajte napetost lanca. Nategnutost lanca je pravilna kada je razmak između rezača na lancu i vodilice između 3 mm i 4 mm. Povucite lanac na sredini donje strane vodilice prema dolje (dalje od vodilice) i izmjerite udaljenost između vodilice i rezača lanca.
- Zategnite i blokirajte gumb za blokiranje napetosti lanca/mača pile okrenuvši ga u smjeru okretanja kazaljki na satu.

NAPOMENA: Uvjerite se da se sklop mača pile i zatezanja lanca kreće slobodno bez u njemu nakupljene prljavštine i da je lanac pile pravilno omotan oko lančanika. Ako je lanac previše zategnut ili previše labav nakon blokiranja gumba za blokiranje napetosti lanca/mača pile, provjerite je li sklop za zatezanje mača i lanca čist i pravilno sastavljen.

Ako je potrebno, skinite lančanik i mač pile zbog čišćenja, a zatim ponovno sastavite dijelove.

UPORABA

DODAVANJE ULJA ZA PODMAZIVANJE LANCA

Pogledajte stranicu 269.

⚠ UPOZORENJE

Nikada ne radite bez sredstva za podmazivanje lanca. Ako pila radi bez sredstva za podmazivanje, vodilica i lanac mogu biti oštećeni. Stoga je od ključne važnosti da često provjeravate razinu ulja u mjerачu razine ulja i prije početka korištenja lančane pile.

- Očistite površinu oko čepa za ulje kako biste spriječili onečišćenje.
- Odvijite i uklonite čep sa spremnika za ulje.
- Nalijte ulje u spremnik za ulje i pratite mjerач razine ulja. Osigurajte da prilikom punjenja ulja ne ulazi prljavština u spremnik za ulje.
- Vratite natrag čep za ulje i pritegnite ga. Obrišite svo proliveno gorivo.
- Jedan puni spremnik za ulje omogućuje vam korištenje pile od 12 - 18 min.

DRŽANJE LANČANE PILE

Pogledajte stranicu 269.

Uvijek držite pilu vašom desnom rukom na stražnjoj ručki i vašom lijevom rukom na prednjoj ručki. Uvijek uhvatite obje ručke s palčevima i prstima okružujući ručke pile. Osigurajte da vaša lijeva ruka drži ručku tako da je vaš palac u donjem dijelu.

⚠ UPOZORENJE

Uvijek držite kabel za napajanje urednim i dalje od područja rezanja. Za razliku od strujnog udara, neuredani kabeli uzrokuju padove i spalivanja.

POKRETANJE LANČANE PILE

Pogledajte stranicu 269.

- Proizvod priključite na električnu utičnicu. Provjerite da li je kočnica lanca u položaju run (pokretanje) na način da povučete u nazad polugu/štitnik za ruku.
- Za pokretanje proizvoda: Pritisnite otpuštanje blokade okidača, zatim pritisnite uključivanje/isključivanje okidača.

PROVJERAVANJE I RAD KOČNICE LANCA

- Uključite kočnicu lanca zakretanjem lijeve ruke oko prednje ručke. Korištenjem stražnjeg dijela ruke, pritisnite polugu kočnice lanca/štitnik za ruku prema šipki dok se lanac istovremeno brzo okreće. Lanac bi se odmah trebao prestati okretati. Pazite da cijelo vrijeme obje ruke držite na ručkama pile.
- Vratite kočnicu lanca natrag u položaj RUN (Pokreni) hvatanjem gornjeg dijela kočnice lanca/štitnika za ruku i povlačenjem prema prednjoj ručki dok ne čujete klik.

⚠ UPOZORENJE

Ako kočnica lanca odmah ne zaustavi lanac, ili ako kočnica lanca samostalno ne ostane u radnom položaju, proizvod prije korištenja odnesite u ovlašteni servisni centar.

ZAMJENA MAČA I LANCA PILE

Pogledajte sliku 277 - 278.

- Odspojite ga s izvora napajanja. Nosite zaštitne rukavice.
- Deblokirajte gumb za blokiranje zatezača/mača lanca okrećući ga u smjeru suprotnom od okretanja kazaljki na satu sve dok poklopac lančanika ne postane labav.
- Uklonite pokrov zupčanika. Uklonite vodilicu i lanac pile s uređaja.
- Uklonite vijak koji zadržava mač pile na sklopu za zatezanje lanca. Pravilno odložite upotrijebljeni mač i lanac pile.
- Montirajte sklop za podešavanje napetosti lanca na novu šipku i zategnite vijak. Postavite novi lanac na vodilicu u točnom smjeru i provjerite da li su karike za pogon poravnate u šini vodilice.
- Pričvrstite vodilicu na pilu i postavite omču lanca oko pogonskog zupčanika. Vratite poklopac zupčanika.
- Zategnite i blokirajte gumb za blokiranje napetosti lanca/mača pile okrenuvši ga u smjeru okretanja

kazaljki na satu.

Nategnutost lanca je pravilna kada je razmak između rezača na lancu i vodilice između 3 mm i 4 mm. Povucite lanac na sredini donje strane vodilice prema dolje (dalje od vodilice) i izmjerite udaljenost između vodilice i rezača lanca.

Podesite zategnutost lanca. Pogledajte odlomak „Podešavanje nategnutosti lanca“.

⚠ UPOZORENJE

Loše naoštren lanac povećava opasnost od odskakivanja.

⚠ UPOZORENJE

Ako ne zamijenite ili ne popravite oštećeni lanac, izlažete se opasnosti od teških tjelesnih ozljeda.

⚠ UPOZORENJE

Lanac je vrlo oštar. Kad god ga održavate, nosite zaštitne rukavice.

PROVJERITE I OČISTITE KOČNICU LANCA

Pogledajte stranicu 280.

- Uvijek održavajte mehanizam kočnice lanca čistim tako da lagano očetkate kanale od prašine.
- Uvijek nakon čišćenja provjerite rad kočnice lanca. Za više informacija pogledajte u odjeljak „Rad - Provjera i rad kočnice lanca“ u ovom priručniku.

PLAN ODRŽAVANJA

| Svakođnevna provjera | |
|------------------------------|--|
| Naponski kabel na oštećenja | Prije svakog korištenja |
| Podmazivanje vodilice | Prije svakog korištenja |
| Zatezanje lanca | Prije svakog korištenja i često |
| Oštrina lanca | Prije svakog korištenja, vizualna provjera |
| Oštećenje pojedinih dijelova | Prije svakog korištenja |
| Labavi pričvršćivači | Prije svakog korištenja |
| Funkcija kočnice lanca | Prije svakog korištenja |
| Pregledati i očistiti | |
| Vodilica | Prije svakog korištenja |
| Kompletna pila | nakon svake uporabe |
| Kočnica lanca | Svaki 5 sati* |

*Sati rada

SIMBOLI NA PROIZVODU



Sigurnosno upozorenje



Kako bi se smanjila opasnost od ozljeda, prije korištenja ovog proizvoda korisnik mora pročitati i shvatiti ove upute za korištenje.



Nosite zaštitu za vid, sluh i glavu



Nosite obuću protiv klizanja prilikom korištenja ovog proizvoda.



Nosite zaštitne rukavice velike debljine koje se ne klizu.



Ako je kabel oštećen ili prerezan odmah uklonite utikač iz utičnice prije održavanja.



Pazite na povratni udar lanca pile i izbjegavajte kontakta s vrhom vodilice.



Ne izlažite kiši ili vlažnim uvjetima.



Držite i rabite motornu pilu dvijema rukama.



Ne upotrebljavajte motornu pilu držeći je samo s jednom rukom.



Ovaj alat usklađen je sa svim normama i propisima zemlje Europske unije u kojoj je kupljen.



EurAsian znak konformnosti



Alat II razreda s dvostrukom izolacijom



Ukrajinska oznaka za sukladnost



Otpadni električni proizvodi ne treba da se odlažu s otpadom iz domaćinstva. Molimo da reciklirate gdje je to moguće. Potražite savjet od lokalnih vlasti ili prodavca kako reciklirati.



L_{WA}
104_{dB}

Jamčena razina zvučne snage 104 dB (RCS1935B)

L_{WA}
105_{dB}

Jamčena razina zvučne snage 105 dB (RCS2340B)

EN
FR
DE
ES
IT
NL
PT
DA
SV
FI
NO
RU
PL
CS
HU
RO
LV
LT
ET
HR
SL
SK
BG
UK
TR



Sredstva za podmazivanje lanca i vodilice



Kočnica lanca

Okenrite kako biste blokirali ili deblokirali mač pile



Brava



Otključavanje



Pomicanje smjera lanca. (Označeno ispod poklopca zupčanika)

SIMBOLI U OVOM PRIRUČNIKU



Priključite u utičnicu za napajanje



Isključite iz utičnice za napajanje



Dijelovi ili pribor prodan odvojeno



Napomena



Upozorenje



Nosite sredstva za zaštitu vida i lica.



Nosite zaštitu za gornji dio trupa.



Nosite sredstva za zaštitu nogu.



Zaustavite proizvod.

Slijedeće riječi upozorenja i značenja imaju namjeru da objasne nivo rizika u vezi s ovim proizvodom.

OPASNOST

Ukazuje na neposrednu opasnu situaciju, koja, ukoliko se ne izbjegne, može rezultirati smrću ili opasnim povredama

UPOZORENJE

Ukazuje na moguću opasnu situaciju, koja, ukoliko

se ne izbjegne, može rezultirati smrću ili opasnim povredama

UPOZORENJE

Ukazuje na moguću opasnu situaciju, koja, ukoliko se ne izbjegne, može rezultirati manjim ili blažim povredama

UPOZORENJE

Bez sigurnosnog simbola upozorenja

Naznačuje situaciju koja može rezultirati oštećenjem imovine.

Motorna žaga je zasnovana in izdelana za zagotavljanje najvišje ravni varnosti, učinkovitosti in zanesljivosti delovanja.

NAMEN UPORABE

Motorna žaga je predvidena samo za uporabo na prostem. Iz varnostnih razlogov morate izdelek v vsakem trenutku imeti pod nadzorom z obema rokama.

Izdelek je namenjen žaganju vej, debel, hlodov in tramov s premerom, ki ga določa dolžina meča. Namenjena je zgolj za žaganje lesa. Uporablja se lahko le v domačem okolju s strani odraslih, ki so opravili ustrezno usposabljanje iz nevarnosti in preventivnih ukrepov/dejanj, ki jih je treba izvajati med uporabo izdelka.

Izdelka ne smejo uporabljati otroci ali osebe, ki ne nosijo ustrezne osebne varovalne opreme in oblačil. Izdelek ni namenjen za uporabo v profesionalne namene obdelovanja dreves.

Za druge namene ga ne uporabljajte.

⚠ OPOZORILO

Med uporabo stroja upoštevajte varnostna navodila. Preden začnete uporabljati izdelek, morate za vašo varnost in varnost prisotnih v celoti prebrati in razumeti ta navodila. Udeležite se strokovnega varnostnega usposabljanja glede uporabe, preventivnih ukrepov, prve pomoči in vzdrževanja verižnih žag. Prosimo, shranite ta navodila za kasnejšo rabo.

⚠ OPOZORILO

Verižne žage so nevarna orodja. Pri nesrečah z verižno žago si ljudje običajno odrežejo ude ali pa so nesreče celo smrtne. Nevarna pa ni le verižna žaga. Smrtno nevarno so tudi padajoče veje in drevesa ter kotaleči se hlodi. Dodatno nevarnost predstavlja tudi oslabiljeno ali nagnito drevo. Ocenite morate svoje zmožnosti za varno dokončanje dela. Če ste v dvomih, naj vam pomaga strokovnjak.

SPLOŠNA VARNOSTNA OPOZORILO ZA ELEKTRIČNA ORODJA

⚠ OPOZORILO

Preberite vsa varnostna opozorila in navodila. Zaradi neupoštevanja opozoril in navodil lahko pride do električnega udara, požara in/ali resnih poškodb.

Shranite vsa opozorila in navodila za kasnejšo uporabo.

Izraz »električno orodje« v opozorilih se nanaša na orodja, ki jih poganja električni tok (žična), ali na akumulatorska (brezžična) orodja.

DELOVNO OBMOČJE

- **Delovno območje naj bo čisto in dobro osvetljeno.** V neurejenih in temnih območjih se rade zgodijo nesreče.

- **Električnih orodij ne uporabljajte v eksplozivnih okoljih npr. v bližini vnetljivih tekočin, plinov ali prahu.** Električna orodja proizvajajo iskre, ki lahko vnamejo prah ali hlape.
- **Med uporabo električnega orodja v bližino ne pustite otrok in drugih ljudi.** Zaradi zmanjšane koncentracije lahko izgubite nadzor.

ELEKTRIČNA VARNOST

- **Vtiči električnih orodij se morajo prilegati vtičnicam. Vtiča nikoli in na noben način ne smete spreminjati. Z ozemljenimi električnimi orodji ne uporabljajte adapterjev vtiča.** Nespremenjeni vtiči in ustrezne vtičnice zmanjšajo tveganje električnega udara.
- **Izogibajte se telesnemu stiku z ozemljenimi površinami, kot so cevi, radiatorji, kuhalniki in hladilniki.** Če je vaše telo ozemljeno, obstaja povečano tveganje električnega udara.
- **Izdelka ne izpostavljajte dežju ali vlagi.** Voda v električnem orodju znatno poveča tveganje električnega udara.
- **Kabla ne uporabljajte za neustrezne namene. Kabla nikoli ne uporabljajte za prenašanje, vleko ali izklop električnega orodja. Pazite, da kabel ne pride v stik z vročino, oljem, ostrimi robovi ali gibljivimi deli.** Poškodovani ali zapleteni kabli zvišujejo tveganje električnega udara.
- **Med uporabo električnega orodja na prostem uporabljajte podaljševalni kabel, ki je primeren za zunanjo uporabo.** Uporaba kabla, primernega za zunanjo uporabo, znižuje tveganje električnega udara.
- **Če je delo z električnim orodjem v vlažnem okolju neizogibno, uporabite tokovno zaščitno stikalo (RCD).** Uporaba naprave RCD zmanjša tveganje za električni udar.

OSEBNA VARNOST

- **Med obratovanjem bodite pozorni, spremljajte potek dela in uporabljajte zdrav razum.** Električnega orodja ne uporabljajte, ko ste utrujeni oz. pod vplivom drog, alkohola ali zdravil. Trenutek nepazljivosti med uporabo električnega orodja lahko povzroči hude telesne poškodbe.
- **Uporabljajte osebno zaščitno opremo. Vedno nosite zaščito za oči.** Uporaba zaščitne opreme, na primer protiprašne maske, nedrsečih varnostnih čevljev, čelade ali zaščite ušes v ustreznih pogojih zmanjša nevarnost telesnih poškodb.
- **Preprečite neželen zagon. Preden orodje priključite na vir napajanja, vstavite baterije, ga vzamete v roke ali prenašate, se prepričajte, da je stikalo v izključenem položaju.** Prenašanje električnih orodij, tako da prst držite na stikalu, ali dovajanje napajanja električnim orodjem, pri katerih je stikalo v položaju »on (vklop)« poveča tveganje nesreč.
- **Pred vklopom električnega orodja odstranite morebitne nastavitvene ključe ali izvijače.** Izvijač ali ključ, ki ostane pritrjen na vrtljivi del električnega orodja, lahko povzroči telesne poškodbe.
- **Nesiahajte priliš daleko. Pazite, da stojite stabilno in da imate ravnotežje.** To omogoča boljši nadzor nad

električnim orodjem v nepričakovanih situacijah.

- **Bodite primerno oblečeni. Ne nosite ohlapnih oblačil ali nakita. Pazite, da lasje, oblačila in rokavice ne pridejo v bližino gibljivih delov.** Ohlapna oblačila, nakit ali dolgi lasje se lahko zapletejo v gibljive dele.
- **Če so naprave namenjene priključitvi na pripomočke za sesanje in zbiranje prahu, se prepričajte, da so ti priključeni in ustrezno uporabljeni.** Uporaba zbiralca prahu lahko zmanjša nevarnosti, povezane s prahom.

UPORABA IN NEGA ELEKTRIČNEGA ORODJA

- **Izdelka ne preobremenjujte. Uporabite električno orodje, ki ustreza vašemu delu.** Ustrezno električno orodje bo nalogo opravilo bolje in varneje v kategoriji, za katero je bilo zasnovano.
- **Ne uporabljajte električnega orodja, če ga stikalo ne vklopi ali izklopi, kot bi bilo treba.** Kakršno koli električno orodje, ki ga ni mogoče nadzirati s stikalom, je nevarno in ga je potrebno popraviti.
- **Odklopite vtič z vira napajanja in/ali baterije, preden opravljate kakršne koli prilagoditve, menjate dodatke ali shranjujete električno orodje.** Tovrstni preventivni varnostni ukrepi zmanjšajo možnost slučajnega zagona električnega orodja.
- **Električna orodja, ki niso v uporabi, shranjujte izven dosega otrok in ne dovolite, da bi električno orodje uporabljale osebe, ki niso seznanjene z električnim orodjem ali s temi navodili.** Električna orodja so v rokah neusposobljenih uporabnikov nevarna.
- **Električna orodja redno vzdržujte. Preverite, če so gibljivi deli napačno poravnani ali zaskočeni, če so sestavni deli polomljeni ali če obstaja kakršno koli druge stanje, ki lahko vpliva na varno delovanje električnega orodja. Če je električno orodje poškodovano, ga pred ponovno uporabo dajte v popravilo.** Številne nesreče zakrivijo neustrezno vzdrževana električna orodja.
- **Rezalna orodja naj bodo vedno nabrušena in čista.** Pravilno vzdrževana rezalna orodja z ostrimi rezili se težje zaskočijo in jih je lažje nadzirati.
- **Električno orodje, dodatke, nastavke za orodje itd. uporabljajte v skladu s temi navodili ter upoštevajte delovne pogoje in vrsto dela, ki ga boste izvajali.** Uporaba električnega orodja za namene, ki so drugačni od tistih, za katere je bilo orodje zasnovano, lahko povzroči nevarne situacije.
- **Ročaji in površine za prijem naj bodo suhe in čiste, na njih naj ne bo olja ter maščobe.** Če so ročaji ali površine za prijem spolzke, ni zagotovljeno varno rokovanje in upravljanje z orodjem v nepričakovanih situacijah.

SERVISIRANJE

- **Električno orodje naj servisira usposobljena oseba, uporabljati pa sme le originalne nadomestne dele.** To bo zagotovilo vzdrževanje varnostni električnega orodja.

DODATNA SPLOŠNA VARNOSTNA OPOZORILA

- Predpisi nekaterih regij omejujejo uporabo tega izdelka. Za nasvet se obrnite na lokalne oblasti.
- Izdelka nikoli ne smejo uporabljati otroci ali osebe, ki niso seznanjene z navodili za uporabo. Lokalni predpisi se morda nanašajo tudi na minimalno starost upravitelja.
- Pred vsako uporabo zagotovite, da vse kontrole in varnostne naprave delujejo pravilno. Orodja ne uporabljajte, če stikalo za izklop ne ustavi naprave.
- Med uporabo izdelka nosite popolno zaščito oči in sluha, močne, trpežne rokavice in zaščito glave. Če je območje prašno, uporabljajte dihalno zaščito.
- Ne nosite ohlapnih oblačil, kratkih hlač ali kakršnega koli nakita.
- Dolge lase si spnite nad rameni in tako preprečite njihovo ujetje v premikajoče se dele.
- Pazite na izvržene, leteče ali padajoče predmete. Opazovalci, otroci in živali naj bodo od delovnega območja oddaljeni najmanj 15 m.
- S cepilnikom ne upravljajte pri slabi osvetlitvi. Upravljalavec mora imeti jasen pregled nad delovnim območjem, da lahko prepozna morebitne nevarnosti.
- Zaščita za sluh zmanjša vašo sposobnost, da slišite opozorila (alarme ali klice). Upravljalavec mora še bolj paziti na dogajanje v okolici.
- Uporaba podobnih orodij v bližini poveča nevarnost za poškodbe sluha in nevarnost, da druge osebe vstopijo v vaše delovno območje.
- Pazite na ravnotežje in ne pretiravajte. Nesiahajte priliči daleko. Če se boste preveč iztegnili, lahko izgubite ravnotežje, poleg tega pa se poveča nevarnost odsunka.
- Dele telesa držite proč od premikajočih se delov.
- Pred vsako uporabo preglejte stroj. Preverite, ali vsi krmilni elementi pravilno delujejo, vključno z zavoro za verigo. Preverite, ali so pritrdila dobro pritrjena, prepričajte se, da so vsa varovala in ročaji pravilno in trdno pritrjeni. Pred uporabo zamenjajte poškodovane dele.
- Na noben način ne spreminjajte naprave ter ne uporabljajte delov in dodatkov, ki jih ne priporoča proizvajalec.
- Največja moč napajanja lahko povzroči nihanja napetosti in vpliva na druge električne naprave, priključene v isto omrežje. Izdelek priključite na napajanje z impedanco 0.33 Ω ali manj, da zmanjšate napetostna nihanja. Za podrobnejša navodila se obrnite na svojega dobavitelja električne energije.

⚠ OPOZORILO

Če izdelek pade, močno trči ali začne nenormalno vibrirati, ga nemudoma zaustavite in preverite, ali je poškodovan oziroma poiščite vzrok vibriranja. Vsakršno poškodbo mora ustrezno popraviti ali zamenjati pooblaščen servisni center.

- Napajanje naprave mora imeti napravo za rezidualni



tok (RCD), tok naj ne presega 30 mA.

- Če potrebujete podaljšek za električni kabel, se prepričajte, da je primeren za uporabo na prostem in ima zadostno kapaciteto toka za vaš izdelek. Pred vsako uporabo preverite, ali je izdelek poškodovan. Kadar izdelek uporabljate, vedno odvijte kable, saj se drugače lahko pregrejejo. Poškodovane podaljševalne kable ne smete popravljati, temveč jih zamenjajte s kablom enakovredne vrste.
- Če se napajalni kabel poškoduje, ga je treba pred uporabo menjati.
- Prepričajte se, da je napajalni kabel napeljan tako, da ga rezila ne morejo poškodovati in da nanj nič ali nihče ne more pasti, stopiti, se obenj spotakniti ali ga kakor koli poškodovati.
- Izdelka nikoli ne dvigujte in ne prenašajte za električni kabel.
- Ko odstranjujete vtičak iz vtičnice, nikoli ne vlecite za napajalni kabel.
- Kabel držite proč od vročine, olja ali ostrih robov.
- Pred vsako uporabo preverite, če je napajalni kabel poškodovan. Če obstajajo znaki poškodb, mora kabel zamenjati usposobljena oseba v pooblaščenih servisnih službi, da se izognete tveganjem.

VERIŽNA ŽAGA – VARNOSTNA OPOZORILO

- **Med uporabo izdelka ne približujte delov telesa verigi žage. Pred zagonom verižne žage preverite, da se veriga žage ničesar ne dotika.** Trenutek nepazljivosti med upravljanjem verižne žage lahko povzroči, da se z oblačili ali s telesom zapletete v verigo žage.
- **Verižno žago vedno držite z desno roko za zadnji ročaj, z levo roko pa za sprednjega.** Če verižno žago držite obratno, povečate nevarnost za telesne poškodbe, zato tega nikoli ne storite.
- **Električno orodje držite izključno za izolirano držalo, ker se veriga žage lahko dotakne skritih žic.** Če se veriga žage dotakne žice, ki je pod električno napetostjo, se lahko izpostavljeni kovinski deli električnega orodja naelektrijo in povzročijo električni udar.
- **Nosite zaščitna očala in zaščito sluha. Priporočljiva je tudi uporaba zaščitne opreme za glavo, roke, noge in stopala.** Ustrezna zaščitna oblačila bodo zmanjšala telesne poškodbe zaradi letečih delcev ali nenamerne stika z verigo žage.
- **Verižne žage ne uporabljajte na drevesu.** Če verižno žago uporabljate, medtem ko ste na drevesu, se lahko poškodujete.
- **Bodite pozorni na svoje ravnotežje in verižno žago uporabljajte le, kadar stojite na trdni, varni in ravni površini.** Zaradi spolzkih ali nestabilnih površin, kot so lestve, lahko izgubite ravnotežje ali nadzor nad verižno žago.
- **Ko žagate napeto vejo, pazite na možnost povratnega udarca.** Ko napetost lesenih vlaken popusti, lahko napeta veja udari delavca in/ali povzroči, da verižna žaga ni več pod nadzorom.

- **Pri rezanju grmičevja in mladega drevja bodite še posebej previdni.** Tanek material se lahko zaplete v verigo žage in vas lahko udari ali vrže iz ravnotežja.
- **Verižno žago nosite le, ko je izključena, in sicer tako, da jo držite za sprednji ročaj ter proč od telesa. Med transportom ali skladiščenjem verižne žage vedno namestite pokrov za meč žage.** Pravilno ravnanje z verižno žago bo zmanjšalo možnost nenamerne kontakta s premikajočo se verigo žage.
- **Za mazanje in napenjanje verige ter menjanje delov sledite navodilom.** Neustrezno napeta ali namazana veriga se lahko strga, ali pa poveča možnost odsunka.
- **Ročaji naj bodo suhi, čisti in brez madežev olja ali masti.** Mastni in naoljeni ročaji so spolzki in lahko povzročijo izgubo nadzora.
- **Žagajte samo les. Verižne žage ne uporabljajte za neprimerne namene. Na primer, verižne žage ne uporabljajte za žaganje plastike, zidakov oz. kakršnih koli ne-lesenih gradbenih materialov.** Če boste verižno žago uporabljali za neustrezne namene, lahko pride do nevarnih situacij.

Vzroki odsunkov in njihovo preprečevanje:

Če se konica meča dotakne predmeta ali če se zapre les in se verižna žaga zagodzi v rezu, lahko pride do odsunka. Dotik s konico lahko v nekaterih primerih povzroči sunkovito povratno reakcijo, tako da meč sune navzgor in nazaj proti upravljavcu.

Če verigo žage na zgornjem delu žaginega lista stisnete, žagin list lahko hitro sune nazaj proti uporabniku.

Vsaka od teh reakcij lahko povzroči izgubo nadzora nad žago, posledica tega pa so lahko težke telesne poškodbe. Ne zanašajte se izključno na varnostne naprave, vgrajene v žago. Kot uporabnik žage morate izvesti več ukrepov, da pri žaganju ne bi prihajalo do nesreč ali poškodb.

Odsunek je rezultat nepravilne uporabe orodja in/ali nepravilnih delovnih postopkov ali okoliščin in se mu ob ustreznih varnostnih ukrepih, kot so navedeni v nadaljevanju, lahko izognete:

- **Ohranite čvrst oprijem, tako da s palcem in ostalimi prsti objamete ročaj verižne žage, pri tem pa žago držite z obema rokama in svoje telo ter roke imejte v takem položaju, da boste pripravljeni na morebitne sile odsunkov.** Sile odsunkov lahko upravljaavec nadzoruje, če upošteva ustrezne varnostne ukrepe. Verižne žage ne izpusite iz rok.
- **Ne iztegujte se preveč in ne žagajte nad višino ramen.** S tem pomagate preprečiti nenamerni dotik konice in omogočite boljši nadzor nad verižno žago v nepričakovanih situacijah.
- **Za zamenjavo uporabljajte le meče in verige, ki jih določa proizvajalec.** Neustrezni nadomestni meči in verige lahko povzročijo trganje verige in/ali odsunek.
- **Upošteвайте navodila proizvajalca glede brušenja in vzdrževanja verige žage.** Zmanjšanje višine merilnika globine lahko povzroči več odsunkov.

| |
|-----------|
| EN |
| FR |
| DE |
| ES |
| IT |
| NL |
| PT |
| DA |
| SV |
| FI |
| NO |
| RU |
| PL |
| CS |
| HU |
| RO |
| LT |
| LV |
| ET |
| HR |
| SL |
| SK |
| BG |
| UK |
| TR |



DODATNA VARNOSTNA OPOZORILA ZA VERIŽNO ŽAGO

- Priporočamo, da ob prvi uporabi izdelka polena žagate na kozi ali podobni opori.
- Poskrbite, da bodo vse zaščite, ročaji in zobata opora pravilno nameščeni in v dobrem stanju.
- Izdelek naj uporabljajo le osebe brez zdravstvenih težav. Izdelek je težak, zato mora biti operater fizično močan. Upravljalavec mora biti pozoren in okreten ter imeti brezhiben vid, dobro ravnotežje in spretno roke. Če ste v kakršnih koli dvomih, ne upravljajte izdelka.
- Ne začnite uporabljati izdelka, dokler nimate prostega delovnega območja, dobrega ravnotežja in načrtovanega zasilnega umika v primeru padajočega drevesa.
- Pazite na emisije meglice maziva in žagovine. Po potrebi nosite ščitnik ali dihalni aparat.
- Če se napajalni kabel poškoduje, naj izdelek servisirajo izključno v pooblaščenem servisnem centru.
- Napajalni kabel naj bo vedno čist in stran od območja rezanja. Neurejeni kablji lahko povzročijo električni udar ali pa se čežnje lahko spotaknete oz. prevrnete.
- Ne žagajte trte in/ali manjše podrasti (s premerom manj kot 75 mm).
- Motorno žago med upravljanjem vedno držite z obema rokama. S palcema in prsti vzdržujte trden oprijem ročajev verižne žage. Desno roko imejte na zadnjem ročaju, levo pa na sprednjem.
- Pred zagonom izdelka se prepričajte, da veriga žage ni v stiku z nobenim predmetom.
- Žage nikakor ne prilagajajte in je ne uporabljajte za pogon nastavkov ali naprav, ki jih proizvajalec izdelka ne priporoča.
- V bližini upravljalca naj bo komplet prve pomoči z obvezami za hujše poškodbe ter pripomoček za klic na pomoč (npr. piščalka). Dokaj blizu naj bo tudi večji oz. obširnejši komplet za prvo pomoč.
- Med upravljanjem izdelka vedno nosite čelado. Čelada z mrežastim vizirjem v primeru povratnega sunka zmanjša nevarnost za poškodbe obraza in glave.
- Nepravilno napeta veriga se lahko sname z meča in povzroči hude poškodbe ali celo smrt. Dolžina verige je odvisna od temperature. Napetost verige redno preverjajte.
- Privadite se na svojo novo verižno žago, tako da na dobro podprtlem lesu napravite nekaj enostavnih zarez. To storite po vsakem daljšem obdobju neuporabe žage.
- Za zmanjšanje nevarnosti poškodb zaradi stika z premikajočimi se deli vedno zaustavite motor, uporabite zavoro verige in izklopite vtič iz napajalne vtičnice. Prepričajte se, da so se vsi premikajoči se deli popolnoma zaustavili:
 - preden zapustite napravo
 - pred čiščenjem ali odstranjevanjem blokad
 - pred nameščanjem ali odstranjevanjem pripomočkov
 - pred preverjanjem in vzdrževanjem izdelka ali delom na njem

- Velikost delovnega območja je odvisna od izvajanega dela pa tudi od velikosti drevesa ali obdelovanca. Podiranje drevesa na primer zahteva večje delovno območje kot druga dela, kot je npr. krojenje ipd. Upravljalavec mora biti pozoren na dogajanje v okolici in imeti nadzor nad njim.
- Ne žagajte tako, da boste telo imeli vzporedno z mečem in verigo. Če pride do odsunka, boste tako lažje preprečili stik verige z glavlo oz. telesom.
- Ne žagajte naprej in nazaj – pustite, da veriga opravi svoje delo; verigo redno brusite in ne poskušajte je potisniti skozi zarezo.
- Ne pritiskajte na žago ob zaključku reza. Bodite pripravljene, da boste lahko zadržali težo žage, ko prežagate skozi les. Neupoštevanje tega nasveta lahko povzroči hude telesne poškodbe.
- Ne ustavljajte žage med žaganjem. Žaga naj obratuje, dokler je ne odstranite iz zareze.

Osebna varovalna oprema

S kakovostno profesionalno osebno varovalno opremo boste zmanjšali tveganje za poškodbe upravljalca. Pri delu z verižno žago uporabljajte naslednje elemente:

Varnostna čelada

- mora biti skladna z EN 397 in imeti mora oznako CE

Zaščita sluha

- mora biti skladna z EN 352-1 in imeti mora oznako CE

Zaščita oči in obraza

- imeti mora oznako CE ter mora biti skladna z EN 166 (zaščitna očala) oz. EN 1731 (obrazni ščitniki)

Rokavice

- mora biti skladna z EN381-7 in imeti mora oznako CE

Zaščita nog (delovne hlače)

- mora biti skladna z EN381-5, imeti mora oznako CE ter zagotavljati zaščito z vseh strani.

Varovalni škornji za delo z verižno žago

- Morajo biti skladni EN ISO 20345:2004 in imeti morajo oznako s ščitom, v katerem je verižna žaga, kar dokazuje skladnost z EN 381-3. (Občasni uporabniki lahko uporabljajo varovalne škornje z jekleno kapico in zaščitnimi gamašami, ki so skladni z EN 381-9, če je podlaga enakomerna in je nevarnost zatikanja v podrast nizka.)

Jakne za delo z verižno žago za zaščito zgornjega dela telesa

- mora biti skladna z EN 381-1 in imeti mora oznako CE

NAVODILA GLEDE PRAVILNIH TEHNIK PODIRANJA, KLEŠČENJA IN KRIŽNEGA ŽAGANJA

Razumevanje sil znotraj lesa

Če razumete smeri pritiska in napetosti znotraj lesa, lahko zmanjšate možnosti »ukleščenja« oz. jih med žaganjem vsaj pričakujete. Napetost znotraj lesa pomeni, da vlakna vleče narazen, in če boste zažagali v to območje, se bo zareza oz. krajnik ob pomiku žage mimo razprl. Če imate poleno na kozi tako, da konec gleda preko kože in ni podprt,



se na zgornji površini zaradi teže visečega dela polena ustvari napetost, ki razteguje vlakna. Prav tako bo prišlo do stiskanja na spodnji strani debla, zaradi česar bodo vlakna stisnjena skupaj. Če v tem območju napravite zarezo, se bo krajnik med žaganjem zapiral. Tako lahko ukleščite meč.

Podiranje dreves

Glejte stran 273 - 274.

Če sta pri krojenju in podiranju dreves udeleženi dve osebi ali več hkrati, podiranje dreves ločite od krojenja vsaj v dvakratni razdalji višine drevesa, ki ga podirate. Dreves ne podirajte tako, da bi pri tem ogrozili kogar koli, ali tako, da bi drevo padlo na daljnovid oz. povzročilo kakršno koli materialno škodo. Če drevo pride v stik z daljnovidom, takoj obvestite ustrezno podjetje za oskrbo z energijo.

Delavec z verižno žago naj stoji na gornji strani terena, saj se bo drevo po podiranju po vsej verjetnosti skotalilo ali zdrsnilo po pobočju navzdol.

Preden začnete z žaganjem, je treba načrtovati in izprazniti pot umika. Pot umika naj bo diagonalno in v nasprotni smeri pričakovanega padca.

Preden začnete s podiranjem, preučite naraven nagib drevesa, položaj večjih vej in smer vetra ter tako ocenite, v katero smer naj bi drevo padlo.

Z drevesa najprej odstranite zemljo, kamne, ohlapne veje, žeblje, sponke in žice.

Ne podirajte gnilih dreves ali dreves, ki jih je poškodovale veter, ogenj, strela itd. Ta opravila so zelo nevarna in jih lahko izvajajo le poklicni gozdarji.

- Izdelava zaseka
Glejte stran 273 - 274.

Izzačajte režo velikosti 1/3 premera drevesa, pravokotno na smer padca. Najprej ustvarite spodnjo vodoravno zarezo. Tako se boste izognili ukleščanju verige ali meča žage pri ustvarjanju druge zarez.

- Zadnja zarez za podiranje
Glejte stran 273 - 274.

Zadnjo zarezo za podiranje naredite vsaj 50 mm višje od spodnje vodoravne zarez. Zadnja zarez naj bo vzporedna spodnji vodoravni zarez. Zadnjo zarezo naredite tako, da ostane dovolj lesa, ki deluje kot sklep. Sklepni les omogoča, da se drevo ne zasuče in pade v napačno smer. Sklepa ne prežagajte.

Ko se zadnja zarez približuje sklepu, bi drevo moralo začeti padati. Če obstaja možnost, da drevo ne pade v zeleni smeri, ali da se zaziba nazaj in uklešči žago, prekinite žaganje, preden je zadnja zarez končana, in uporabite lesene, plastične ali aluminijaste kline ter odprite zarezo, tako da drevo pade v zeleni smeri.

Ko drevo začne padati, odstranite žago iz zarez, ugasnite motor, odložite žago in uporabite načrtovano pot umika. Pazite na padajoče veje ter na to, kod stopate.

Odstranjevanje opornih korenin

Glejte stran 274.

Oporna korenina je velika korenina, ki sega od debla drevesa nad zemljo. Pred podiranjem odstranite oporne korenine. Najprej naredite vodoraven rez v oporno korenino, nato pa še navpični rez. Nastali odpadni material

odstranite z delovnega območja. Potem ko ste odstranili velike oporne korenine, izvajajte pravilni postopek za podiranje drevesa.

Potisni in povleci

Reakcijska sila je vedno nasprotna smeri premikanja verige. Upravljevec mora biti zato pripravljen nadzorovati izdelek, ki lahko pri rezanju vzdolž spodnjega roba vodila odskoči (naprej). Da preprečite takšne premike, nazobčani odbijač vedno potisnite naprej in ga fiksirajte. Izdelek lahko med rezanjem vzdolž zgornjega roba odskoči nazaj (proti upravljavcu). Da to preprečite, se prepričajte, da med rezanjem vzdolž zgornjega roba vodila veriga ni zagozdena.

Zataknjena žaga v zarez

Ustavite žago in jo zavarujte. Ne poskusite izvleči verige in meča iz zarez, saj boste s tem verjetno polomili verigo, ki lahko zaniha nazaj in udari upravljavca. Do tega običajno pride zaradi nepravilne podpore lesa med žaganjem, kar povzroči zapiranje zarez zaradi stiskanja in s tem ukleščenje meča. Če s prilaganjem podpore ne sprostite meča in verige, zarez odprite s pomočjo lesenih klinov ali vzvoda in tako sprostite žago. Nikoli ne poskušajte zagnati verižne žage, kadar je meč že v zarez ali krajniku.

Drsenje/poskakovanje

Če motorna žaga med rezanjem ne prodre v deblo ali vejo, lahko začne vodilna palica poskakovati ali nevarno spodrsavati po njeni površini, kar lahko privede do izgube nadzora nad motorno žago. Za preprečitev ali ublažitev drsanja ali poskakovanja vedno držite žago z obema rokama. Poskrbite, da veriga žage ustvari utor za rezanje.

Z motorno žago nikoli ne žagajte majhnih, upogljivih vej ali grmičevja. Zaradi njihove velikosti in gibkosti se lahko žaga hitro odbije nazaj proti vam ali pa se zaplete in dobi dovolj sile za povratni udarec. Najboljša orodja za takšno delo je ročna žaga, škarje za obrezovanje, sekira ali drugo ročno orodje.

Krojenje debla

Glejte stran 275.

Krojenje pomeni žaganje debla na krajše kose. Pomembno je, da imate dobro ravnotežje in da je vaša teža enakomerno razporejena na obe nogi. Če je mogoče, deblo dvignite in ga podprite z vejami, drugimi debli ali zagozdami. Sledite preprostim navodilom za enostavno žaganje. Če je deblo podprto po celotni dolžini, ga žagajte zvrha.

Če je deblo podprto na enem koncu, zarezite za 1/3 premera globoko s spodnje strani. Nato rez dokončajte od zgoraj, tako da se reza srečata.

Če je deblo podprto na obeh koncih, zarezite za 1/3 premera globoko z zgornje strani. Nato od spodaj zarezite še 2/3, tako da se reza srečata.

Ko krojite na klanecu, vedno stojte na tisti strani debla, kjer je teren višje. Za ohranjanje popolnega nadzora med žaganjem »skozi« deblo proti koncu reza sprostite pritisk, vendar ne popustite prijema verižne žage. Pazite, da veriga ne pride v stik s tlemi. Ko rez zaključite, počakajte, da se veriga ustavi, preden verižno žago premakete. Ko se pomikate od drevesa do drevesa, vedno ugasnite motor.



Kleščenje drevesa

Glejte stran 276.

Kleščenje pomeni odstranjevanje vej s padlega drevesa. Pri kleščanju dopustite, da spodnje, večje veje podpirajo deblo in ga držijo nad tlemi. Manjše veje odstranite z enim rezom. Napete veje odžagajte od spodaj navzgor, da se izognete ukleščanju verižne žage.

Vzmetne palice

Glejte stran 276.

Odskočno deblo je vsako deblo, veja, ukoreninjen štor ali mlado drevesce, ki je upognjeno pod pritiskom zaradi drugega lesa, tako da odskoči nazaj, če odžagamo ali odstranimo les, ki ga zadržuje.

Pri podrtem drevesu obstaja velika možnost, da med razrezovanjem debela od štora ukoreninjeni štor odskoči nazaj v pokončen položaj. Bodite pozorni na odskočna debela, ker so nevarna. Ne poskušajte žagati ukrivljenih verig ali štrcljev, ki so pod pritiskom, razen če ste za to strokovno usposobljeni.

⚠ OPOZORILO

Odskočna debela so nevarna, saj lahko udarijo delavca ter povzročijo, da izgubi nadzor nad verižno žago. Posledica tega so lahko težke ali usodne poškodbe delavca. Ta opravila naj izvajajo usposobljeni uporabniki.

TRANSPORT IN SHRANJEVANJE

Glejte stran 281 - 284.

- Ustavite izdelek in ga izklopite iz napajanja. Pred shranjevanjem ali prevozom izdelka z vozilom počakajte, da se ohladi.
- Očistite vse tujke z izdelka. Shranite jo na suhem in dobro prezračenem mestu, ki ni na dosegu otrok. Hranite proč od jedkih sredstev, kot so kemikalije za vrtnarjenje in soli za odmrzovanje. Ne shranjujte na prostem.
- Pred shranjevanjem enote oz. med transportom namestite pokrov za meč.
- Za transport zavarujte izdelek pred premiki ali padci, da preprečite poškodbe oseb ali izdelka.

VZDRŽEVANJE

Izdelek naj bo vedno v dobrem stanju.

⚠ OPOZORILO

Uporabljajte le originalne rezervne dele in dodatke, ki jih priporoča proizvajalec. V nasprotnem primeru naprava lahko slabo deluje, povzroči poškodbe, garancija pa ne velja več.

⚠ OPOZORILO

Servisiranje zahteva posebno pozornost in znanje in naj jo zato opravlja samo izurjeni servisni tehnik. Izdelek naj servisirajo izključno v pooblaščenem servisnem centru. Pri servisiranju uporabljajte samo originalne nadomestne dele.

⚠ OPOZORILO

Preden boste orodje čistili, nastavljali ali vzdrževali, ga izključite iz napajanja. Neupoštevanje tega nasveta lahko povzroči hude poškodbe.

- Opravite lahko samo tukaj navedene prilagoditve ali popravila. Druga popravila izdelka naj izvedejo izključno na pooblaščenem servisu.
- Neustrezno vzdrževanje, odstranjevanje ali prilagajanje varnostnih elementov, kot so zavora verige, ščitnik za roke (sprednji in zadnji), koničasti odbijač, lovlec verige, vodilna palica in veriga žage z majhnim povratnim udarcem lahko privede do nepravilnega delovanja varnostnih funkcij, s čimer se poveča nevarnost hude poškodbe. Izdelek naj bo profesionalno vzdrževan in varen.
- Varno brušenje verige zahteva usposobljenost. Zato proizvajalec močno priporoča, da obrabljeno ali topo verigo zamenjate z novo, ki je na voljo na pooblaščenem servisu. Številka dela je navedena v tabeli s specifikacijami izdelka v tem priročniku.
- Sledite navodilom za mazanje ter preverjanje in prilagajanje napetosti verige.
- Po vsaki uporabi izdelek očistite z mehko in suho krpo.
- Pogosto preverjajte, ali so vse matice in vijaki dobro priviti in tako zagotovite varno delovno stanje opreme. Vsak poškodovani del mora ustrezno popraviti ali zamenjati pooblaščen servisni center.

REZIDUALNA TVEGANJA:

Tudi če izdelek uporabljate tako, kot je predpisano, še vedno ne moremo izključiti določenih preostalih dejavnikov tveganja. Med uporabo se lahko pojavijo naslednje nevarnosti, upravljavec pa naj bo pozoren na naslednje:

- Poškodbe zaradi vibracij
 - Pri delu vedno uporabljajte ustrezno orodje. Uporabite namenske ročaje. Omejite trajanje dela in izpostavljenost.
- Izpostavljenost hrupu lahko povzroči poškodbo sluha.
 - Nosite zaščito za sluh in omejite izpostavljenost
- Stik z nezaščitenimi zobmi verige (nevarnost ureznin).
- Nepredviden, nenaden premik ali povratni sunek meča (nevarnost vreza).
- Delci, ki odletijo iz verige žage (nevarnost ureza/vboda).
- Delci, ki odletijo iz obdelovanca (odkruški, trske).
- Vdihavanje žagovine in delcev.
- Stik kože z oljem.

ZMANJŠANJE TVEGANJA

Ugotovljeno je bilo, da lahko pri nekaterih posameznikih vibracije ročnih orodij povzročijo Raynaudov sindrom. Simptomi so lahko mravljinca, otrplost in pobeljeni prsti, kar je običajno vidno, kadar je oseba izpostavljena mrazu. Dedni dejavniki, izpostavljenost mrazu in vlagi, dieta, kajenje in delovne navade naj bi pripomogle k razvoju teh simptomov. Za zmanjšanje učinkov vibracij lahko upravljavec upošteva naslednja navodila:

- Poskrbite, da bo vaše telo na mrazu toplo. Med upravljanjem nosite rokavice in tako ohranjajte toploto vaših dlani in zapestij. Kot poročajo, je mraz glavni dejavnik, ki prispeva k Raynaudovemu sindromu.
- Po vsakem obdobju upravljanja naprave telovadite in tako pospešite krvni obtok.
- Pogosto si vzemite odmor. Omejite dnevno količino izpostavljenosti.
- Zaščitne rokavice, ki jih lahko kupite v strokovnih trgovinah, kjer prodajajo motorne žage, so zasnovane posebej za uporabo z motorno žago in nudijo zaščito in dober oprijem ter zmanjšajo tresljuje na ročaju.

Če zaznavate kakršne koli simptome takšnega stanja, takoj prenehajte z uporabo naprave in se o simptomih posvetujte z zdravnikom.

⚠ OPOZORILO

Daljša uporaba orodja lahko privede do poškodb ali pa so poškodbe lahko hujše. Kadar orodje uporabljate dalj časa, si večkrat vzemite odmor.

SPOZNAJTE SVOJ IZDELEK

Glejte stran 267

1. Veriga
2. Meč
3. Prednji ščitnik roke/zavora verige
4. Sprednji ročaj
5. Sprožilni gumb
6. Zadnji ročaj
7. Meč motorne žage
8. Pokrovček olja za verigo
9. Držalo kabla
10. Gumb sprožilca
11. Pokrov verižnika
12. Napetost verige / Gumb za zaklep vodil meča
13. Pokrov za meč žage
14. Lovilec verige

VARNOSTNE NAPRAVE

Veriga žage z nizkim odsunkom

Veriga žage z nizkim odsunkom pomaga preprečevati pojav odsunkov.

Grabilci (vodilni zobje) pred vsakim rezalnim zobom lahko zmanjšajo moč reakcije pri odsunku, tako da preprečijo, da se rezalni zobi ne bi zakopali pregloboko na območju odsunka. Uporabljajte le kombinacije mečev in verig, ki jih priporoča proizvajalec.

Pri brušenju verige izgubijo nekaj od svojih lastnosti

glede odsunka, zaradi česar je potrebna posebna pozornost. Zaradi varnosti zamenjajte verige, ko se njihova učinkovitost zmanjša.

Meč motorne žage

Vgrajeni meč motorne žage lahko uporabite kot ročico pri rezanju. Pomaga ohranjati stabilnost ohišja motorne žage med žaganjem. Med žaganjem potisnite napravo naprej, da zobata opora zareže v rob lesa, nato pa premikajte zadnji ročaj navzgor oz. navzdol v smeri reza, da zmanjšate fizični napor, ki je potreben za žaganje.

Meči

Na splošno imajo vodila meča s konicami majhnega premera nekoliko manjšo možnost povratnega udarca. Uporabljajte kombinacijo meča in verige, ki je ravno prav dolga za želeno opravilo. Predolgi meči povečajo tveganje za izgubo nadzora med žaganjem. Redno preverjajte napetost verige. Pri žaganju manjših vej (manj, kot je celotna dolžina meča) je nevarnost snetja veriga v primeru napačne napetosti še večja.

Zavora verige

Zavore verige so zasnovane tako, da hitro zaustavijo vrtenje verige. Ko je vzvod zavora verige/ščitnik roke potisnjen proti meču, se mora veriga takoj zaustaviti. Zavora verige ne prepreči odsunka. Le zniža tveganje za poškodbe v primeru stika meča verige s telesom uporabnika pri odsunku. Pred vsako uporabo preverite, ali zavora za verigo pravilno deluje (tako v blokiranem kot v sproščenem položaju).

Lovilec verige

Lovilec verige prepreči, da bi ohlapna ali strgana veriga poletela proti uporabniku.

MONTAŽA

⚠ OPOZORILO

Če so deli poškodovani ali manjkajo, izdelka ne uporabljajte, dokler deli niso zamenjani. Če tega opozorila ne upoštevate, lahko pride do hudih osebnih poškodb.

SESTAVLJANJE VERIGE IN MEČA ŽAGE

Glejte stran 268 - 269.

1. Priključite omrežni vtič. Nosite zaščitne rokavice.
2. Odvijte gumb za zaklep vodilnega meča in odstranite pokrov verižnika.
3. Veriga žage mora biti obrnjena v smeri vrtenja verige. Če gledajo nazaj, preobrnite zanko.
4. Razmejevalni zob verige postavite v utor meča.
5. Verigo namestite tako, da se nahaja zanka za mečem.
6. Verigo držite na mestu na meču in namestite zanko okrog zobatega kolesa. Meč spustite, da gre vijak lahko skozi odprtino v pritrjenem sklopu za napenjanje verige.
7. Znova namestite pokrov zobnika in privijte gumb za napenjanje verige/zaklepni drog z obračanjem v smeri urinega kazalca, da se zaskoči v ustreznem položaju. Napetost verige redno preverjajte.

Napetost verige je pravilna, ko je razmik med mečem in verigo med 3 in 4 mm. Na sredini spodnje strani meča povlecite verigo navzdol (proč od meča) in izmerite razdaljo med mečem in rezili verige.

8. Privijte in zaklenite gumb za napenjanje verige/zaklepni drog z obračanjem v smeri urinega kazalca.

NASTAVITEV ZATEGNENOSTI VERIGE

Glejte stran 279.

1. Izklopite ga iz napajanja. Nosite zaščitne rokavice.
2. Za popravek napetosti verige povsem sprostite gumb za napenjanje verige/zaklepni drog, nato pa gumb za napenjanje verige/zaklepni drog privijte z obračanjem v smeri urinega kazalca, da se zaskoči v ustreznem položaju. Napetost verige redno preverjajte. Napetost verige je pravilna, ko je razmik med mečem in verigo med 3 in 4 mm. Na sredini spodnje strani meča povlecite verigo navzdol (proč od meča) in izmerite razdaljo med mečem in rezili verige.

3. Privijte in zaklenite gumb za napenjanje verige/zaklepni drog z obračanjem v smeri urinega kazalca.

OPOMBA: Prepričajte se, da se drog in sestav za napenjanje verige prosto premikata in nista umazana ter da je veriga žage pravilno napeljana po verižniku. Če je veriga po pritrditvi gumba za zaklepanje napetosti verige/vodilnega droga preveč ali premalo napeta, preverite, ali sta vodilni drog in sestav za napenjanje verige čista in ustrezno sestavljena.

Po potrebi odstranite pokrov verižnika in vodilni drog ter ju očistite in nato znova namestite.

DELOVANJE

DODAJANJE OLJA ZA MAZANJE VERIGE

Glejte stran 269.

⚠ OPOZORILO

Nikoli ne opravljajte del brez maziva za verigo. Če veriga obratuje brez maziva, lahko pride do poškodb meča in verige. Pomembno je, da redno preverjate nivo olja v merilniku nivoja olja in pred začetkom uporabe motorne žage.

1. Očistite površino okoli pokrovčka za olje, da preprečite onesaženje.
2. Odvijte in odstranite čep posode za olje.
3. Dolijte olje v posodo za olje in pri tem spremljajte merilnik ravnih olja. Pazite, da med dolivanjem olja v posodo za olje ne pride nesnaga.
4. Znova namestite čep posode za olje in ga dobro privijte. Obrišite morebitna razlivanja.
5. Ena polna posoda olja omogoča uporabo žage za 12 – 18 minut.

DRŽANJE MOTORNE ŽAGE

Glejte stran 269.

Verižno žago vedno držite z desno roko za zadnji ročaj, z levo roko pa za sprednjega. Primite oba ročaja, tako da ju čvrsto objamete s palcem in z ostalimi prsti. Pazite, da z levo roko držite sprednji ročaj tako, da imate palec spodaj.

⚠ OPOZORILO

Napajalni kabel naj bo vedno čist in stran od območja rezanja. Neurejeni kablji lahko povzročijo električni udar ali pa se čeznje lahko spotaknete oz. prevrnete.

ZAGON MOTORNE ŽAGE

Glejte stran 269.

1. Izdelek vklopite v električno vtičnico. Zagotovite, da je zavora verige biti v položaju RUN (TEK) tako, da ročico/ščitnik za roke povlecete nazaj.
2. Zagon izdelka: Pritisnite sprožilno sprožilca in nato pritisnite stikalo za vklop/izklop sprožilca.

PREVERJANJE IN UPORABA ZAVORE VERIGE

1. Zavoro verige aktivirate tako, da levo roko zavrtite okoli sprednjega ročaja. Z zadnjim delom roki potisnite ročico zavoro verige/zaščito roke naprej proti meču, medtem ko se veriga še vrti. Veriga se mora takoj prenehati vrteti. Roki ves čas imejte na obeh ročajih.
2. Zavoro verige ponastavite nazaj v položaj za obratovanje, tako da primete zgornji del ročice zavoro verige/zaščite roke in povlecete sprednji ročaj, dokler ne klikne.

⚠ OPOZORILO

Če zavora verige takoj ne zaustavi verige ali če zavora verige brez pomoči ne ostane v položaju za tek, izdelek pred uporabo odnesite na popravilo v pooblaščen servisni center.

ZAMENJAVA VODILNEGA DROGA IN VERIGE ŽAGE

Glejte stran 277 - 278.

1. Izklopite ga iz napajanja. Nosite zaščitne rokavice.
2. Odklenite gumb za napenjanje verige/zaklepni drog z obračanjem v nasprotni smeri urinega kazalca, da sprostite zobnik.
3. Odstranite pokrov verižnika. Z enote odstranite meč in verigo.
4. Odstranite vijak, s katerim je vodilni drog pritrjen na sestav za napenjanje verige. Izbrabljeni drog in verigo žage ustrezno odložite.
5. Sestav napajalnika verige namestite na nov nosilec in privijte vijak. Novo verigo namestite na meč v pravilni smeri in poskrbite, da so členi pravilno poravnani v utoru.
6. Namestite meč na verižno žago in napeljite verigo po verižniku. Ponovno namestite pokrov verižnika.
7. Privijte in zaklenite gumb za napenjanje verige/zaklepni drog z obračanjem v smeri urinega kazalca.

Napetost verige je pravilna, ko je razmik med mečem in verigo med 3 in 4 mm. Na sredini spodnje strani meča povlecite verigo navzdol (proč od meča) in izmerite razdaljo med mečem in rezili verige.

Prilagodite napetost verige. Preberite poglavje »Prilaganje napetosti verige«.

⚠ OPOZORILO
Neustrezno brušenje verige povečuje možnost odsunka.

⚠ OPOZORILO
Če ne zamenjate ali popravite poškodovane verige, lahko pride do težke telesne poškodbe.

⚠ OPOZORILO
Veriga žage je zelo ostra. Med vzdrževanjem verige vedno nosite zaščitne rokavice.

PREVERJANJE IN ČIŠČENJE ZAVORE VERIGE

Glejte stran 280.

- Vzdržujte čistočo mehanizma zavore verige, tako da nežno očistite spojne elemente.
- Po čiščenju vedno preverite delovanje zavore verige. Za več informacij glejte poglavje »Delovanje - preverjanje in upravljanje zavore verige«.

URNIK VZDRŽEVANJA

| Dnevno preverjanje | |
|------------------------------------|--|
| Napajalni kabel za primere poškodb | Pred vsako uporabo |
| Mazanje meča | Pred vsako uporabo |
| Napetost verige | Pred vsako uporabo in ob rednih intervalih |
| Ostrino verige | Pred vsako uporabo, vizualni pregled |
| Poškodovanost delov | Pred vsako uporabo |
| Privitost pritrdil | Pred vsako uporabo |
| Funkcija zavore verige | Pred vsako uporabo |
| Preverite in očistite | |
| Meč | Pred vsako uporabo |
| Celotno žago | po vsaki uporabi |
| Zavora verige | Vsakih 5 ur* |

*Ure obratovanja

SIMBOLI NA IZDELKU



Varnostni alarm



Za zmanjšanje nevarnosti poškodb si preberite in osvojite vsebino navodil, preden izdelek uporabite.



Nosite zaščito za oči, ušesa in glavo.



Ko uporabljate izdelek, nosite zaščitno obutev, ki ne drsi.



Nosite si nedrseče, močne delovne zaščitne rokavice.



Pred vzdrževanjem oziroma če je kabel poškodovan ali prerezan, takoj izvlcite vtič iz glavnega omrežja.



Pazite na verigo, saj lahko pride do povratnega udara, in se izogibajte dotikanju predmetov s konico meča.



Ne izpostavljajte ga dežju ali vlagi.



Žago uporabljajte tako, da jo trdno držite z obema rokama.



Ne uporabljajte žage tako, da jo držite samo z eno roko.



Ustreza vsem predpisanim standardom v državi članici EU, kjer je bil kupljen izdelek.



EurAsian oznaka o skladnosti



Orodje razreda II, dvojna izolacija



Ukrajinska oznaka za skladnost



Odpadne električne izdelke odlagajte skupaj z ostalimi gospodinjstvi odpadki. Reciklažo opravljajte na predpisanih mestih. Za reciklažni nasvet se obrnite na lokalne oblasti.



Zajamčena raven hrupa je 104 dB (RCS1935B)



Zajamčena raven hrupa je 105 dB (RCS2340B)



Mazivo za meč in verigo



Zavora verige

EN
FR
DE
ES
IT
NL
PT
DA
SV
FI
NO
RU
PL
CS
HU
RO
LV
LT
ET
HR
SL
SK
BG
UK
TR

Zavrtite, da zaklenete ali odklenete vodilni drog



Uzamknutie



Odklep



Smer premikanja verige. (Oznaka pod pokrovom zobatega kolesa)

SIMBOLI V TEM PRIROČNIKU



Priključite v vtičnico



Izključite iz vtičnice



Deli ali dodatki so na prodaj ločeno



Opomba



Opozorilo



Nosite zaščito za oči in obraz.



Nosite zaščito za zgornji del telesa.



Nosite zaščito za noge.



Zaustavite orodje.

Sledeče signalne besede in pomeni naj bi pojasnili ravni tveganja, ki so povezane s tem izdelkom.

⚠ NEVARNOST

Označuje neizbežno tvegano stanje, ki če se ji ne izognete lahko povzroči smrt ali resno poškodbo.

⚠ OPOZORILO

Označuje morebitno tvegano stanje, ki če se ji ne izognete lahko povzroči smrt ali resno poškodbo.

⚠ POZOR

Označuje morebitno tvegano stanje, ki če se mu ne izognete lahko povzroči manjšo ali srednje resno poškodbo.

POZOR

Brez simbola za varnostno opozorilo

Bezpečnosť, efektívnosť a spoľahlivosť boli prvoradáre pri navrhovaní vašej reťazovej píly.

ÚČEL POUŽITIA

Reťazová píla je určená len na vonkajšie použitie. Z bezpečnostných dôvodov sa musí tento produkt primerane ovládať neustále oboma rukami.

Tento produkt je určený na rezanie konárov, kmeňov, polien a trávov s priemerom určenom reznou dĺžkou vodiacej lišty. Je určená len na pílenie dreva. Používa sa len na domáce použitie dospelými osobami, ktoré absolvovali primerané školenie o nebezpečenstvách a preventívnych opatreniach/krokoch prijatých počas používania výrobku.

Tento produkt nesmú používať deti ani osoby, ktoré nie sú vybavené primeranými osobnými ochrannými pomôckami a odevom. Nie je určený na používanie v profesionálnych lesníckych službách.

Nepoužívajte na žiadne iné účely.

VAROVANIE

Pri používaní tohto produktu sa musia dodržiavať bezpečnostné zásady. Pre vašu vlastnú bezpečnosť a bezpečnosť okolostojacích osôb si pred použitím produktu musíte prečítať tento návod a porozumieť všetkým jeho pokynom. Odporúčame absolvovať profesionálne organizované bezpečnostné školenie o používaní, preventívnych krokoch, prvej pomoci a údržbe reťazových píl. Odložte si tento návod na neskoršie použitie.

VAROVANIE

Reťazové píly sú potenciálne nebezpečné nástroje. Nehody pri používaní reťazových píl často spôsobia stratu končatín alebo smrť. Riziko nepredstavuje len reťazová píla. Padajúce konáre, zvalujúce sa stromy, kotúľajúce sa brvná – to všetko môže zabiť. Ďalšie riziká predstavuje choré alebo trúchnivajúce drevo. Musíte odhadnúť vlastnú schopnosť bezpečne dokončiť úlohu. Ak máte akékoľvek pochybnosti, prenechajte úlohu profesionálnemu stromovému chirurgovi.

VŠEOBECNÉ BEZPEČNOSTNÉ VÝSTRAHY PRE MECHANICKÉ NÁSTROJE

VAROVANIE

Prečítajte si všetky bezpečnostné výstrahy a pokyny. Pri nedodržaní týchto výstrah a pokynov môže dôjsť k úrazu elektrickým prúdom, požiaru a/alebo závažnému poraneniu.

Odložte všetky upozornenia a pokyny použitie v budúcnosti.

Pojem „mechanický nástroj“ vo výstrahách sa vzťahuje na váš sieťový (káblový) mechanický nástroj alebo akumulátorový (bezkábový) mechanický nástroj.

PRACOVNÝ PRIESTOR

- **Pracovisko udržiavajte v čistote a správne osvetlené.** Prepchané alebo tmavé miesta zvyšujú pravdepodobnosť nehôd.
- **Nepracujte s mechanickými nástrojmi vo výbušných atmosférach, napríklad v blízkosti zápalných tekutín, plynov alebo prachu.** Mechanické nástroje vytvárajú iskry, ktoré môžu podpáliť takýto prach alebo výpar.
- **Deti a okolostojaci sa počas práce s mechanickým nástrojom nesmú zdržovať v jeho blízkosti.** Rozptylenie môže spôsobiť, že stratíte nad nástrojom kontrolu.

ELEKTRICKÁ BEZPEČNOSŤ

- **Zástrčky mechanického nástroja musia zodpovedať zásuvke. Zástrčku nikdy žiadnym spôsobom neupravujte. S uzemnenými mechanickými nástrojmi nepoužívajte rozdvojné zásuvky.** Použitím neupravovaných zástrčiek a zodpovedajúcich zásuviek sa znižuje riziko úrazu elektrickým prúdom.
- **Vyhýbajte sa telesnému kontaktu s uzemnenými povrchmi, napríklad rúrami, radiátormi, sporákmi a chladničkami.** Ak je vaše telo uzemnené, hrozí vysoké riziko úrazu elektrickým prúdom.
- **Nevystavujte produkt dažďu ani mokrému prostrediu.** Voda, ktorá vnikne do mechanického nástroja, zvyšuje riziko úrazu elektrickým prúdom.
- **Kábel nenamahajte. Nikdy nepoužívajte kábel na prenášanie, ťahanie alebo odpájanie mechanického nástroja. Kábel nedávajte do blízkosti tepla, oleja, ostrých okrajov alebo pohyblivých dielov.** Poškodené alebo zamatané káble zvyšujú riziko úrazu elektrickým prúdom.
- **Pri práci s mechanickým nástrojom v exteriéri používajte predlžovací kábel vhodný pre použitie v exteriéri.** S káblom vhodným pre použitie v exteriéri sa znižuje riziko úrazu elektrickým prúdom.
- **Ak je nevyhnutné pracovať s mechanickým nástrojom vo vlhkom prostredí, použite zdroj chránený zariadením pre zvyškový prúd.** Použitie zariadenia pre zvyškový prúd znižuje riziko úrazu elektrickým prúdom.

OSOBNÁ BEZPEČNOSŤ

- **Pri práci s mechanickým nástrojom buďte ostražití, sledujte, čo robíte a používajte zdravý rozum. Nepoužívajte mechanický nástroj, keď ste unavení alebo pod vplyvom drog, alkoholu alebo liekov.** Chvíľa nepozornosti počas práce s mechanickými nástrojmi môže spôsobiť závažné osobné poranenie.
- **Používajte osobné ochranné pomôcky. Vždy používajte chrániče zraku.** Na redukovanie osobných poranení sa pre príslušné podmienky musia používať ochranné prostriedky, ako je protiprachová maska, ochranná obuv s protišmykovou úpravou, prilba alebo chrániče sluchu.
- **Zabráňte neúmyselnému spusteniu. Pred zapojením zariadenia do siete a/alebo k jednotke akumulátora, zdvíhaním alebo prenášaním nástroja**

vždy skontrolujte, či je spínač vo vypnutej polohe. Pri prenášaní mechanických nástrojov s prstom položeným na spínači alebo pripájaní mechanických nástrojov so zapnutým spínačom sa zvyšuje riziko úrazu.

- **Pred zapnutím nástroja odstráňte prípadný nastavovací klin alebo kľúč.** Keď necháte kľúč alebo klin nasadený na rotujúci diel mechanického nástroja, môže dôjsť k vážnemu poraneniu osôb.
- **Neprečunujte sa. Neustále zachovávajte pevnú oporu nôh a rovnováhu.** Tak si zaistíte lepšiu kontrolu nad mechanickým nástrojom v nečakaných situáciách.
- **Primerane sa oblečte. Nenoste voľný odev ani šperky. Vlasy, odev a rukavice nepribližujte k pohybujúcim sa dielom.** Voľný odev, šperky či dlhé vlasy sa môžu zachytiť do pohyblivých častí.
- **Ak sú zariadenia vybavené pripojením na prostriedky na odsávanie a zber prachu, zaistíte, aby boli správne pripojené a primerane sa používali.** Pri použití týchto prostriedkov sa znižujú riziká pochádzajúce z prachu.

POUŽÍVANIE ELEKTRICKÉHO NÁSTROJA A STAROSTLIVOSŤ OŇ

- **Na nástroj nevyvíjajte silu. Používajte vhodný nástroj pre dané použitie.** Správny mechanický nástroj splní svoju úlohu lepšie a bezpečnejšie pri rýchlosti, na ktorú je určený.
- **Mechanický nástroj nepoužívajte, ak spínač nezapína a nevypína nástroj.** Mechanický nástroj, ktorý sa nedá ovládať spínačom, je nebezpečný a musí sa dať opraviť.
- **Pred vykonaním akýchkoľvek úprav, výmene príslušenstva alebo odložení mechanického nástroja odpojte zástrčku zo sieťovej zásuvky alebo jednotky akumulátora.** Takéto preventívne opatrenie znižuje riziko neúmyselného spustenia mechanického nástroja.
- **Nečinné mechanické nástroje odložte mimo dosahu detí a nedovoľte používať mechanický nástroj osobám neoboznámeným s mechanickým nástrojom alebo týmito pokynmi.** Mechanické nástroje sú v rukách netrénovaných osôb nebezpečné.
- **Na mechanických nástrojoch vykonávajte údržbu. Skontrolujte, či pohyblivé diely nie sú nesprávne nastavené alebo zablokované, či niektoré diely nie sú poškodené, ako aj akýkoľvek iný stav, ktorý by mohol ovplyvniť činnosť mechanického nástroja. V prípade poškodenia nechajte mechanický nástroj pre použitím opraviť.** Veľké množstvo nehôd je spôsobených nedostatočnou údržbou mechanických nástrojov.
- **Rezacie nástroje udržiavajte ostré a v čistote.** Správne udržiavané rezacie nástroje s ostrými ostriami sa menej pravdepodobne zaseknú a ľahšie sa ovládajú.
- **Mechanický nástroj, príslušenstvo a vrtáky a pod., používajte v súlade s týmto návodom, pričom berte do úvahy pracovné podmienky a úlohu, ktorú chcete vykonať.** Pri používaní mechanického nástroja na iné ako určené činnosti môže dôjsť k nebezpečným situáciám.

- **Rukoväte a úchopné povrchy udržiavajte suché, čisté a bez zvyškov oleja či maziva.** Klzké rukoväte a úchopné povrchy neumožňujú bezpečnú manipuláciu a ovládanie nástroja v neočakávaných situáciách.

OPRAVY

- **Servis mechanického nástroja prenechajte kvalifikovanému servisnému pracovníkovi s použitím len identických náhradných dielov.** Takto zachováte bezpečnosť mechanického nástroja.

ĎALŠIE VŠEOBECNÉ BEZPEČNOSTNÉ VÝSTRAHY

- Niektoré regióny majú nariadenia, ktoré obmedzujú použitie produktu. Poradte sa s miestnym úradom.
- Produkt nikdy nedovoľte používať deťom alebo osobám neoboznámeným s návodom na použitie. Miestne platné predpisy môžu obmedzovať dobu použitia kosačky.
- Pred každým použitím skontrolujte, či všetky ovládacie prvky a bezpečnostné zariadenia fungujú správne. Mechanický nástroj nepoužívajte, ak vypínací spínač nezastaví motor.
- Počas obsluhy výrobu používajte kompletnú ochranu zraku a sluchu, pevné masívne rukavice a taktiež aj ochranu hlavy. Ak pracujete v prašnom prostredí, noste nasadený respirátor.
- Nenoste oblečenie voľného strihu, krátke nohavice, ani bižutériu žiadneho druhu.
- Dlhé vlasy zaistíte, aby boli nad úrovňou pliec a nedošlo tak k ich zamotaniu do pohyblivých dielov.
- Pozor na vymrštené, odletujúce alebo padajúce objekty. Okolostojacim, deťom a zvieratám zabráňte v prístupe do vzdialenosti menšej než 15 metrov od pracoviska.
- Nepracujte pri nedostatočnom osvetlení. Obsluhujúci musí mať jasný výhľad na pracovný priestor, aby mohol identifikovať potenciálne nebezpečenstvo.
- Použitie ochrany sluchu znižuje schopnosť počuť zvukové výstrahy (výkriky alebo alamy). Operátor musí dávať zvlášť pozor, čo sa deje v pracovnej oblasti.
- Pri používaní podobných nástrojov v blízkosti sa zvyšuje riziko poranenia sluchu a potenciál pre ostatné osoby, ktoré vstúpia do pracovného priestoru.
- Udržujte bezpečný postoj a rovnováhu. Neprečunujte sa. Pri siahaní príliš ďaleko môžete stratiť rovnováhu a zvýšite riziko spätného nárazu.
- Žiadnu časť tela nedávajte do blízkosti žiadnej pohybujúcej sa časti.
- Pred každým použitím nástroj skontrolujte. Skontrolujte správnu činnosť všetkých ovládacie prvkov vrátane brzdy reťaze. Skontrolujte, či nie sú uvoľnené napínadlá a či sú všetky kryty a rukoväte správne a bezpečne nasadené. Pred použitím vymeňte všetky poškodené diely.
- Zariadenie žiadnym spôsobom neupravujte ani nepoužívajte diely či príslušenstvo, ktoré neodporúča výrobca.
- Napájacia špička spôsobí fluktuácie napätia a môže mať vplyv na ostatné elektrické zariadenia na rovnakom elektrickom vedení. Produkt pripojte do elektrickej siete s impedanciou max. 0.33 Ω minimalizujete tak

fluktuácie napätia. Bližšie vysvetlenie žiadajte od vášho dodávateľa elektrickej energie.

VAROVANIE

Ak produkt spadne, utrpí silný náraz alebo začne neštandardne vibrovať, okamžite ho zastavte s skontrolovaním, či nedošlo k poškodeniu alebo zistite príčinu vibrácií. Akékoľvek poškodenie sa musí náležite opraviť alebo vymeniť v autorizovanom servisnom centre.

- Elektrické napájanie musí byť privádzané cez zariadenie pre zvyškový prúd s vypínacím prúdom maximálne 30 mA.
- Ak potrebujete použiť predlžovací kábel, dbajte na to, aby bol vhodný na použitie v exteriéri a mal prúdovú kapacitu dostatočnú na napájanie vášho produktu. Pred každým použitím skontrolujte, či nedošlo k poškodeniu. Pri použití ho vždy odviňte, lebo zvinuté káble sa môžu prehrievať. Poškodené predlžovacie káble sa nesmú opravovať, ale vymeniť za ekvivalentný typ.
- Ak je sieťový kábel poškodený, musí byť pred použitím vymenený.
- Dbajte na to, aby bol napájací kábel umiestnený tak, aby ho nebolo možné poškodiť prezezanim, aby naň nikto nestúpil, nezakopol oň, ani ho inak nepoškodil alebo nenamáhal.
- Produkt nikdy nezdvíhajte ani neprenášajte za elektrický kábel.
- Nástroj nikdy neodpájajte z elektrickej siete ťahaním za napájací kábel.
- Napájací kábel nedávajte do blízkosti tepla, oleja alebo ostrých okrajov.
- Pred použitím skontrolujte napájací kábel, či nie je poškodený. Pri akýchkoľvek známkach poškodenia ich musí vymeniť kvalifikovaná osoba v autorizovanom servisnom centre, aby nevzniklo riziko.

REŤAZOVÁ PÍLA – BEZPEČNOSTNÉ VÝSTRAHY

- **Počas prevádzkovania výrobku majte všetky časti tela v bezpečnej vzdialenosti od pilovej reťaze. Pred spustením reťazovej pily skontrolujte, či sa reťazová píla ničoho nedotýka.** Chvilka nepozornosti počas práce s reťazovou pilou môže spôsobiť zapletenie odevu alebo tela do pilovej reťaze.
- **Reťazovú pílu vždy držte pravou rukou na zadnej rukoväti a ľavou rukou na pravej rukoväti.** Pri opätom držaní reťazovej pily sa zvyšuje riziko osobného poranenia a toto držanie sa nesmie nikdy používať.
- **Elektrické náradie držte len za izolovaný povrch na uchopenie, pretože pilová reťaz môže prísť do kontaktu so skrytým vedením alebo vlastným káblom.** Pilová reťaz v kontakte so „živým“ vodičom by mohli spôsobiť, že obnažené kovové diely budú pod prúdom a spôsobiť obsluhujúcemu zásah elektrickým prúdom.
- **Vždy používajte ochranné okuliare a chrániče sluchu. Odporúčajú sa aj ďalšie ochranné pomôcky na hlavu, ruky, nohy a chodidlá.** Primeraný ochranný

odev znižuje riziko osobného poranenia od odletujúcich úlomkov alebo následkom náhodného kontaktu s pilovou reťazou.

- **Neppracujte s reťazovou pilou na strome.** Pri práci s reťazovou pilou, keď sa nachádzate na strome, môže dôjsť k osobnému poraneniu.
- **Neustále zachovávajte pevnú oporu nôh a pracuje s reťazovou pilou len v stoji na pevnom, bezpečnom a rovnom povrchu.** Na klzkých alebo nestabilných povrchoch, napríklad rebříkoch, môže dôjsť k strate rovnováhy alebo kontroly nad reťazovou pilou.
- **Pri rezaní konára, ktorý je napnutý, dávajte pozor na spätný náraz.** Pri uvoľnení prutia vo vláknach dreva môže odpružený konár udrieť obsluhujúceho a/alebo spôsobiť stratu kontroly nad reťazovou pilou.
- **Pri rezaní krikov a mladých stromčekov buďte mimoriadne opatrní.** Tenký materiál sa môže zachytiť v pilovej reťazi a môže šľahnúť smerom k vám alebo vás vyviest' z rovnováhy.
- **Reťazovú pílu prenášajte za prednú rukoväť, pričom reťazová píla je vypnutá a držte ju ďalej od tela. Pre prenášanie alebo skladovanie reťazovej pily vždy nasadzte kryt vodiacej lišty.** Pri správnej manipulácii s reťazovou pilou sa znižuje pravdepodobnosť náhodného kontaktu s pohybujúcou sa pilovou reťazou.
- **Dodržiavajte pokyny na mazanie, napínanie reťaze a výmenu príslušenstva.** Nesprávne napnutá alebo namazaná reťaz sa môže pretrhnúť alebo zvýšiť pravdepodobnosť spätného nárazu.
- **Rukoväte udržiavajte suché a čisté, bez zvyškov oleja či maziva.** Zamastené a zaolejané rukoväte sú klzke a môžu spôsobiť stratu kontroly.
- **Píľte len drevo. Nepoužívajte reťazovú pílu na iné ako určené účely. Nepoužívajte reťazovú pílu napríklad na pílenie plastov, muriva a iných ako drevených stavebných materiálov.** Pri používaní reťazovej pily na iné ako určené práce môže vzniknúť nebezpečná situácia.

Príčiny spätného nárazu a ako mu možno predchádzať:

Keď sa špička vodiacej lišty dotkne nejakého predmetu alebo keď sa reťaz zakliesni v reze, môže dôjsť k spätnému rázu.

Kontakt hrotu môže v niektorých prípadoch spôsobiť náhlu zvrtnú reakciu, odhodíť vodiacu lištu nahor a dozadu smerom k obsluhujúcemu.

Pri zovretí pilovej reťaze pozdĺž horného okraja vodiacej lišty môže prudko postrčiť vodiacu lištu dozadu smerom k obsluhujúcemu.

Obidve tieto reakcie môžu spôsobiť stratu kontroly nad náradím, čo môže viesť k vážnemu zraneniu. Nespoliehajte sa len na bezpečnostné prvky reťazovej pily. Pri obsluhu reťazovej pily je potrebné prijať určité opatrenia na zabránenie vzniku úrazov alebo zranení pri rezacích prácach:

Spätný náraz je výsledok nesprávneho používania nástroja a/alebo nesprávnych prevádzkových postupov a možno mu predchádzať vykonávaním príslušných predbežných opatrení uvedených nižšie:

- **Udržiavajte pevný úchop, pri ktorom palce a prsty**

obopínajú rukoväte reťazovej pily a obe ruky sú umiestnené na pile a vaše telo je v polohe, ktorá vám umožní odolávať sile spätného nárazu. Sily spätného nárazu môže kontrolovať obsluhujúci, ak podnikne príslušné predbežné opatrenia. Reťazovú pílu nepúšťajte.

- **Nesiahajte príliš ďaleko a nepíľte nad výškou pliec.** Tak predídete neúmyselnému kontaktu hrotu a zaistíte si lepšiu kontrolu nad reťazovou pílou v neočakávaných situáciách.
- **Používajte len náhradné lišty a reťaze špecifikované výrobcom.** Nesprávne náhradné lišty a reťaze môžu spôsobiť pretrhnutie reťaze a/alebo spätný náraz.
- **Dodržiavajte pokyny výrobcu na ostrenie a údržbu reťazovej pily.** Pri poklese obmedzovacej pätky môže dochádzať k častejšiemu spätnému nárazu.

REŤAZOVÁ PÍLA – ĎALŠIE BEZPEČNOSTNÉ VÝSTRAHY

- Pri prvom použití produktu sa odporúča píliť poľná na koze na drevo alebo vidlicu.
- Skontrolujte, či sú všetky ochranné kryty, rukoväte a nárazové ostrie správne nasadené a v dobrom stave.
- Osoby obsluhujúce produkt musia byť v dobrom zdravotnom stave. Výrobok je ťažký, preto obsluha musí mať dobrú fyzickú kondíciu. Obsluhujúca osoba musí byť v strehu, mať dobrý zrak, pohyblivosť, rovnováhu a byť manuálne zručná. V prípade akýchkoľvek pochybností nepracujte s produktom.
- Nepúšťajte sa do práce s produktom, kým nevyčistíte pracovisko, nezaistíte si pevný postoj a nebudete mať naplánovanú únikovú trasu od padajúceho stromu.
- Pozor na vyfukovanie oparu maziva a pilín. V prípade potreby použite masku alebo respirátor.
- Ak dôjde k poškodeniu napájacieho kábla, servis výrobku zverte len autorizovanému servisnému stredisku.
- Okrem toho, že neusporiadané káble predstavujú riziko usmrtenia elektrickým prúdom, môžu spôsobiť pády a zakopnutia. Odpojte produkt od zdroja energie.
- Nerežte vinič alebo malý podrast (s priemerom menším ako 75 mm).
- Počas obsluhy vždy reťazovú pílu držte obomi rukami. Obidve rukoväte uchopte pevne obopnutím palcami a prstami. Prává ruka musí byť na zadnej rukoväti a ľavá ruka na prednej rukoväti.
- Pred spustením výrobku skontrolujte, že sa pilová reťaz nedotýka žiadneho predmetu.
- Výrobok žiadnym spôsobom neupravujte ani ho nepoužívajte na napájanie akéhokoľvek príslušenstva či zariadení, ktoré výrobca píly neodporúča.
- V blízkosti obsluhujúcej osoby sa musí nachádzať lekárnička obsahujúca dostatok materiálu na obviňovanie rany a prostriedky na privolenie pomoci (napr. pišťalka). V rozumnom dosahu by mala byť aj väčšia a komplexnejšia súprava.
- Pri prevádzkovaní výrobku vždy používajte prilbu. Prilba vybavená so štitom z mriežky môže znížiť riziko poranenia tváre a hlavy v prípade, ak dôjde k spätnému nárazu.

- Nesprávne napnutá reťaz môže vyskočiť z vodiacej lišty a spôsobiť závažné poranenie alebo smrť. Dĺžka reťaze závisí od teploty. Pravidelne kontrolujte napnutie.
- Mali by ste si navyknúť na novú reťazovú pílu vykonávaním jednoduchých rezov na bezpečne podporenom dreve. To robte vždy, keď ste pílu nejakú dobu nepoužívali.
- Aby ste znížili riziko poranenia spojené s kontaktom s otáčajúcimi sa časťami, vždy motor zastavte, aplikujte brzdu reťaze a vytiahnite zástrčku z elektrickej zásuvky. Skontrolujte, či sa všetky pohyblivé diely úplne zastavili:
 - pred ponechaním výrobku bez dozoru
 - pred čistením alebo odstránením upchatia
 - Pred montážou alebo demontážou nástavcov
 - pred kontrolou, údržbou alebo prácou na produkte
- Veľkosť pracovnej zóny závisí od vykonávanej práce, ako aj od veľkosti stromu alebo spracovávaného materiálu. Napríklad, padajúci strom vyžaduje väčšie pracovisko ako vykonávanie iných rezov, napr. skracovanie výrezov a pod. Obsluhujúca osoba si musí uvedomovať a mať kontrolu nad všetkým, čo sa deje na pracovisku.
- Nerežte s telom v línii s vodiacou lištou a reťazou. Ak predsa len zaznamenáte spätný náraz, zabránite týmto, aby reťaz prišla do kontaktu s vaším telom alebo hlavou.
- Nepoužívajte pilové pohyby vzad a vpred, nechajte pracovať samotnú reťaz, udržiavajte ju ostrú a nesnažte sa tlačiť reťaz cez rez.
- V konečnej fáze rezu na pílu netlačte. Buďte pripravení udržať hmotnosť píly, po prepílení dreva. V opačnom prípade môže dôjsť k prípadnému závažnému osobnému poraneniu.
- Nezastavujte pílu v strede pílenia. Nechajte ju bežať, kým nevyjde úplne z rezu.

Osobné ochranné pomôcky

Osobné ochranné prostriedky v dostatočnej kvalite, aké používajú profesionáli, pomôžu znížiť riziko zranenia obsluhujúcej osoby. Pri práci s reťazovou pílou je nevyhnutné používať nasledujúce položky:

Bezpečnostná helma

- musí spĺňať EN 397 a mať označenie CE

Ochrana sluchu

- musí spĺňať EN 352-1 a mať označenie CE

Ochrana zraku a tváre

- musí mať označenie CE a spĺňať EN 166 (pre ochranné okuliare) alebo EN 1731 (pre mriežkové priezory)

Rukavice

- musí spĺňať EN381-7 a mať označenie CE

Ochrana nôh (chrániče)

- musia spĺňať EN381-5, mať označenie CE a zabezpečovať všestrannú ochranu.

Bezpečnostné topánky pre reťazovú pílu

- musí spĺňať EN ISO 20345:2004 a mať označenie štítu s vyobrazením reťazovej pily podľa EN 381-3. (Príležitostní používateľia môžu používať bezpečnostné čizmy vybavené oceľovými špičkami)

s ochrannými gumákmi, ktoré splňajú EN 381-9, pokiaľ je terén rovný a existuje len minimálne riziko zakopnutia alebo zachytenia sa o podrast)

Plášte pre reťazové pily na ochranu hornej polovice tela

- musí splňať EN 381-1 a mať označenie CE

POKYNY TÝKAJÚCE SA SPRÁVNYCH TECHNÍK PRE ZÁKLADNÉ PORÁŽANIE, ODVETVOVÁVANIE A PRE-REZÁVANIE

Porozumenie silám v dreve

Keď porozumiete smerovým tlakom a pnútiam v dreve, môžete redukovať výskyt „zovretí“ alebo ich aspoň pri pilení očakávať. Pnútie v dreve znamená, že vlákna sú ťahané od seba a ak pilíte v tejto oblasti, „zárez“ alebo rez, ako píla postupuje ďalej, bude mať tendenciu otvárať sa. Ak je poľeno podopierané na kožu a jeho koniec vidí bez podpory cez okraj, na hornej ploche vzniká pnutie, lebo hmotnosť prečnievajúceho poľena ňahuje vlákna. Podobne, spodná strana poľena bude stláčaná a vlákna ťažené dokopy. Pri vykonaní rezu v tejto oblasti bude mať zárez tendenciu počas rezania sa uzatvárať. Tým dôjde k zovretiu ostria.

Porážanie stromu

Pozrite stranu 273 - 274.

Pri skracovaní a porážaní dvoma alebo viacerými osobami súčasne je potrebné oddeliť porážanie od skracovania vzdialenosťou minimálne dvojnásobku výšky porázaného stromu. Stromy sa nesmú porážať spôsobom, ktorý by ohrozil akúkoľvek osobu, zasiahol akúkoľvek inžiniersku sieť alebo spôsobil škodu na majetku. V prípade, že strom predsa zasiahne nejakú inžiniersku sieť, je potrebné bezodkladne upovedomiť príslušnú spoločnosť.

Ak pracujete na teréne so sklonom, stojte vždy s pílou hore na svahu, keďže strom sa môže po spilení šmýkať alebo gúľať smerom dole.

Pred zahájením pilenia musí byť úniková trasa naplánovaná a vyčistená. Úniková cesta by mala presahovať dozadu a diagonálne po zadnú časť očakávanej línie pádu.

Pred zahájením porážania zhodnotte prirodzené naklonenie stromu, polohu väčších konárov a smer vetra a určite tak pravdepodobný smer pádu stromu.

Zo stromu odstráňte hlinu, kamene, voľnú kôru, klince, strmene a drôty.

Nepokúšajte sa porážať práchnivé stromy ani stromy, ktoré boli poškodené vetrom, požiarom, bleskom atď. Je to extrémne nebezpečné a takúto činnosť smú vykonávať len profesionálni ošetrovatelia stromov.

■ Podtínací rez

Pozrite stranu 273 - 274.

Kolmo na smer pádu urobte do kmeňu stromu zárez do hĺbky 1/3 jeho priemeru. Najskôr urobte spodný vodorovný podtínací rez. Predídete tak zovretiu pílovej reťaze alebo vodiacej lišty pri vykonávaní druhého zárezu.

■ Zadný podtínací rez

Pozrite stranu 273 - 274.

Zadný podtínací rez vykonajte minimálne o 50 mm

vyššie ako vodorovný podtínací rez. Zadný podtínací rez vykonajte kolmo na vodorovný podtínací rez. Zadný podtínací rez vykonajte tak, aby ako pánt poslužil dostatok dreva. Drevo slúžiace ako pánt zabráni skrúteniu stromu a jeho pádu nesprávnym smerom. Cez pánt nepíľte.

Ako sa podtínací rez blíži k pántu, strom by mal začať padať. Ak existuje akákoľvek možnosť, že strom nespadne požadovaným smerom alebo sa nakloní opačným smerom a zovrie pílovú reťaz, prestaňte piliť pred dokončením zadného podtínacieho rezu a pomocou klinov z dreva, plastu alebo hliníka otvorte rez a zvalte strom požadovaným smerom pádu.

Keď strom začne padať, vyberte reťazovú pílu z rezu, zastavte motor, spustite reťazovú pílu nadol a potom použite naplánovanú únikovú trasu. Dávajte pozor na padajúce konáre nad hlavou a sledujte, kam stúpate.

Odstraňovanie koreňových nábehov

Pozrite stranu 274.

Koreňový nábeh je veľký koreň, ktorý vychádza z kmeňa stromu nad zemou. Pred spilovaním stromu odstráňte všetky veľké koreňové nábehy. Najprv urobte do koreňového nábehu vodorovný rez a potom zvislý rez. Odstráňte odrezané časti z pracovnej zóny. Po odstránení koreňových nábehov môžete začať spilovať.

Tlak a ťah

Spätne pôsobenie (reakcia) je vždy v opačnom smere, ako je smer otáčania reťaze. Obsluha musí byť preto pripravená kontrolovať snahu výrobku ťahať (pohyb dopredu) pri rezaní dolným okrajom lišty. Aby ste zabránili takému pohybu, vždy bezpečne zapojte nárazník s hrotmi. Pri rezaní pozdĺž horného okraja možno výrobok ťahať dozadu (smerom k obsluhu). Aby ste tomu predišli, pri rezaní pozdĺž horného okraja zabezpečte, aby sa reťaz nezasekla.

Píla zaseknutá v reze

Zastavte pílu a zaisťte ju. Nevyťahujte násilu reťaz a lištu von z rezu, inak sa reťaz pravdepodobne pretrhne a následne môže vyletieť dozadu a udrieť obsluhujúcu osobu. Táto situácia bežne nastane, lebo drevo je nesprávne podoprené a dochádza k násilnému uzatvárania rezu pod tlakom, čím dochádza k zovretiu ostria. Ak pri úprave podpory nedôjde k uvoľneniu lišty a reťaze, pomocou drevených klinov alebo páky roztvorte rez a uvoľnite reťaz. Nikdy sa nepokúšajte spustiť reťazovú pílu, keď je vodiaca lišta už v reze alebo záreze.

Kízanie/Skákánie

Keď sa reťazová píla prestane počas rezania zahľbovať, vodiaca lišta môže začať skákať alebo sa nebezpečne šmýkať po povrchu dreva alebo vetvy, čo môže spôsobiť stratu ovládania reťazovej pily. Aby ste znížili kízanie alebo skákánie, vždy reťazovú pílu používajte držiak v oboch rukami. Pílová reťaz musí vždy vytvárať drážku na rezanie. Reťazovou pílou nikdy nerezte malé ohybné konáre ani kríky. Ich veľkosť a ohybnosť môže ľahko zapríčiniť odskočenie pily smerom k vám alebo jej zachytenie dostatočnou silou, aby došlo k spätnému nárazu. Najlepšími nástrojmi na tento druh práce sú ručná píla, odvetvovacie

nožnice, sekera a iné ručné nástroje.

Skracovanie guľatiny

Pozrite stranu 275.

Skracovanie je pílenie polien na určité dĺžky. Je dôležité aby ste si zabezpečili pevnú oporu nôh a hmotnosťou rovnomerne rozloženou na oboch nohách. Keď je to možné, guľatinu nadvihnite a podprite pomocou konárov, iných guľatiny alebo klinov. Dodržiavajte jednoduchý návod na jednoduché pílenie. Keď je guľatina podpretá po celej dĺžke, pili sa z vrchu (zhora).

Keď je guľatina podpretá na jednom konci, odpílte 1/3 priemeru zo spodnej strany (zospodu). Potom vykonajte záverečný rez zospodu, ktorý sa spojí s prvým rezom.

Keď je guľatina podpretá na oboch koncoch, odpílte 1/3 priemeru z vrchnej strany (zhora). Potom vykonajte záverečný rez spodných 2/3, ktorý sa spojí s prvým rezom.

Pri skracovaní na svahu vždy stojte na hornej strane guľatiny. Aby ste pri prerezávaní udržali maximálnu kontrolu, uvoľnite rezný tlak pri konci rezu, pričom nevoľňujte uchopenie na rukovätiach reťazovej pily. Nedovoľte, aby sa reťaz dotkla zeme. Po dokončení rezu počkajte, kým sa reťaz nezastaví a až potom pohybujte reťazovou pilou. Pred presunom od stromu k stromu vždy zastavte motor.

Odvetvovanie stromu

Pozrite stranu 276.

Odvetvovanie je odstraňovanie konárov z porazeného stromu. Pri odvetvovaní nechajte väčšie spodné konáre, aby držali kmeň nad zemou. Malé konáre odstráňte jedným rezom. Napnuté konáre sa musia rezať zdola nahor, aby nedošlo k zovretiu reťazovej pily.

Napnuté konáre

Pozrite stranu 276.

Drevo pod pnutím je akékoľvek poleno, vetva, zakorenený peň alebo mladý strom, ktoré sú ohnuté pod tlakom iného dreva a ktoré sa po odrezaní alebo odstránení vymršti späť.

U spileného stromu sa môže zakorenený peň vymrštiť smerom hore pri oddeľovaní rezaného kusa od pňa. Dávajte pozor na drevo pod pnutím, je nebezpečné. Nepokúšajte sa ohýbať konáre alebo pahýle, ktoré sú napnuté, pokiaľ na to nemáte profesionálny výcvik a kompetencie.

VAROVANIE

Drevo pod pnutím je nebezpečné a môže vás zasiahnúť a spôsobiť stratu kontroly nad náradím. To môže spôsobiť vážne alebo smrteľné zranenie. To musia vykonávať zaškolení používatelia.

PREPRAVA A SKLADOVANIE

Pozrite stranu 281 - 284.

- Výrobok zastavte a odpojte ho od prívodu elektrickej energie. Pred uskladnením alebo prepravou vo vozidle nechajte výrobok vychladnúť.
- Odstráňte zo zariadenia všetky cudzie materiály.

Odložte ho na suché a dobre vetrané miesto, na ktoré nemajú prístup deti. Náradie neuskladňujte v blízkosti žieravých látok, ako napríklad v blízkosti záhradníckych chemických prípravkov alebo solí na zimný posyp komunikácií. Neskladujte v exteriéri.

- Predtým, ako zariadenie odložíte alebo počas prepravy nasadíte kryt vodiacej lišty.
- Pri preprave zaistite produkt pred pohybom alebo pádom, aby nedošlo k poraneniu osôb alebo poškodeniu produktu.

ÚDRŽBA

Produkt vždy udržiavajte v dobrom pracovnom stave.

VAROVANIE

Používajte len originálne náhradné diely, príslušenstvo a nástavce výrobcu. V opačnom prípade môže dôjsť k možnému poraneniu, nedostatočnému výkonu a strate platnosti záruky.

VAROVANIE

Údržba vyžaduje extrémnu starostlivosť a znalosti, a musí byť prevádzaná výhradne v autorizovanom servise. Servis výrobcu zverte len autorizovanému servisnému stredisku. Pri servise používajte len originálne náhradné diely výrobcu.

VAROVANIE

Odpojte výrobok z napájacieho zdroja pred čistením, nastavením alebo vykonávaním údržby na výrobku. V opačnom prípade môže dôjsť k závažnému poraneniu osôb.

- Môžete vykonávať len úpravy alebo opravy popísané v tejto príručke. Ostatné opravy zverte len autorizovanému servisnému stredisku.
- V dôsledku nesprávnej údržby, odstránenia alebo úpravy bezpečnostných funkcií, ako je brzda reťaze, chránič ruky (vpredu a vzadu) nárazník s hrotmi, zachytávač reťaze, vodiaca lišta, pílová reťaz s malým spätným nárazom, môže dôjsť k nesprávnemu fungovaniu bezpečnostných funkcií a k väčšej pravdepodobnosti vážneho poranenia. Výrobok odborne udržiavajte a zachovávajte jeho bezpečnosť.
- Bezpečné ostrenie reťaze je úloha vyžadujúca určitú zručnosť. Preto výrobca dôrazne odporúča vymeniť opotrebovanú alebo tupú reťaz za novú, ktorú získate v autorizovanom servisnom stredisku. Číslo dielu nájdete v tabuľke špecifikácií produktu v tomto návode.
- Dodržiavajte pokyny na mazanie a kontrolu a nastavovanie napnutia reťaze.
- Po každom použití vyčistite produkt mäkkou suchou tkaninou.
- Skontrolujte všetky skrutky, matice v častých intervaloch či sú riadne utiahnuté, aby sa zaistila bezpečná prevádzka stroja. Akýkoľvek poškodený diel sa musí náležite opraviť alebo vymeniť v autorizovanom servisnom centre.

ZVYŠKOVÉ RIZIKÁ:

Aj keď sa nástroj používa podľa predpisu, nie je možné eliminovať určité zvyškové rizikové faktory. Pri použití vznikajú nasledujúce riziká a obsluhujúca osoba musí venovať zvláštnu pozornosť, aby nedošlo k nasledovnému:

- Zranenie spôsobené vibráciami
 - Vždy používajte správny nástroj pre danú úlohu. Používajte určené rukoväti. Obmedzte dĺžku pracovného času a vystavenie účinkom.
- Vystavovanie hluku môže spôsobiť poranenie sluchu.
 - Používajte ochranu sluchu a obmedzte expozíciu
- Kontakt s nechráneným pílovým ozubením (nebezpečenstvo porezania).
- Neočakávaný, náhly pohyb alebo spätný náraz vodiacej lišty (nebezpečenstvo porezania).
- Diely vymrštené z pílovej reťaze (nebezpečenstvo porezania/vstreknutia).
- Vyvrhnuté kusy obrobku (drevené triesky, odštepky).
- Vdýchnutie dreveného prachu a čiastočiek.
- Kontakt kože s olejom.

OBMEDZENIE RIZIKA

Boli hlásené prípady, kedy vibrácie z ručných nástrojov u niektorých osôb prispeli k stavu nazývanému Raynaudov syndróm. K symptómom patria: tŕpnutie, znecitlivenie a blednutie prstov, zvyčajne zjavné po vystavení zime. Je známe, že k vývoju týchto symptómov prispievajú: dedičné faktory, vystavovanie zime a vlhkosti, diéta, fajčenie a pracovné návyky. Opatrenia, ktoré môže vykonať obsluhujúca osoba na možné zníženie účinkov vibrácií:

- V studenom počasí udržiavajte svoje telo v teple. Pri práci so zariadením noste rukavice, aby ste mali ruky a zápästia v teple. Boli hlásené prípady, kedy hlavným faktorom prispievajúcim k Raynaudovmu syndrómu bolo studené počasie.
- Po každom určitom časovom úseku prevádzky cvičte, aby ste zlepšili krvný obeh.
- Počas práce si doprajte časté prestávky. Obmedzte počet vystavení za deň.
- Ochranné rukavice dostupné u profesionálnych predajcov reťazových pil sú určené špeciálne pre použitie s reťazovými pilami a zaisťujú ochranu, dobré uchopenie a tiež znižujú znižujú účinok vibrácií rukoväte.

Ak zistíte ktorýkoľvek zo symptómov tohto stavu, okamžite prerušte používanie zariadenia, navštívte svojho lekára a povedzte mu o symptómoch.

VAROVANIE

Pri dlhodobom alebo zvýšenom používaní môže dôjsť k zraneniam. Pri používaní nástroja príliš dlhé obdobia si vždy doprajte pravidelné prestávky.

OBOZNÁMTE SA S VAŠIM PRODUKTOM

Pozrite stranu 267.

1. Reťaz
2. Vodiaca lišta
3. Predný chránič ruky/brzda reťaze
4. Predná rukoväť
5. Západka plynovej páčky
6. Zadná rukoväť
7. Tlmiaci klin
8. Uzáver olejovej nádrže
9. Držiak kábla
10. Vypínač
11. Kryt reťazového kolesa
12. Napnutie reťaze / Poistné tlačidlo vodiacej lišty
13. Kryt vodiacej lišty
14. Zachytávač reťaze

BEZPEČNOSTNÉ ZARIADENIA

Pílová reťaz s nízkou tendenciou k spätnému rázu

Pílová reťaz so slabým spätným nárazom pomáha znižovať pravdepodobnosť, že dôjde k spätnému nárazu.

Výstupky (obmedzovače hĺbky) pred každým rezným zubom minimalizujú silu spätného rázu tým, že bránia rezným zubom príliš hlbokému vniknutiu v zóne spätného rázu. Používajte len kombinácie náhradných vodiacich lišt a reťazí odporúčaných výrobcom.

Po naostrení reťaze buďte veľmi opatrní, pretože ostrením sa znižuje vlastnosť ochrany pred spätným rázom. Pre vašu vlastnú bezpečnosť vymieňajte pílové reťaze pri poklese výkonnosti pílenia.

Tlmiaci klin

Integrovaný tlmiaci klin môže byť použitý ústredný bod pri rezaní. Pomáha udržiavať stabilitu tela reťazovej pily pri rezaní. Pri pílení tlačte zariadenie dopredu, kým sa hroty nezahryznú do okraja dreva, potom pohybom zadnej rukoväte nahor alebo nadol v smere reznej línie pomáhajte zmierňovať fyzické prnutie rezania

Vodiace lišty

Všeobecne majú vodiace lišty s hrotmi a malým polomerom o niečo menší potenciál spätného nárazu. Mali by ste používať vodiacu lištu a zodpovedajúcu reťaz, ktorá je dostatočne dlhá pre danú úlohu. Dlhšie lišty zvyšujú riziko straty kontroly pri pílení. Pravidelne kontrolujte napnutie reťaze. Pri pílení menších vetiev (menej ako plná dĺžka vodiacej lišty) je vyššia pravdepodobnosť, že dôjde k odhodneniu reťaze, pokiaľ jej napnutie nie je správne.

Brzda reťaze

Brzdy reťaze sú určené na rýchle zastavenie otáčajúcej sa reťaze. Reťaz sa musí okamžite zastaviť, keď sa páčka brzdy reťaze/chránič ruky zatlačia smerom k lište. Brzda reťaze nezabraňuje spätnému rázu. To len znižuje riziko zranenia, keby došlo ku kontaktu lišty reťaze s telom obsluhujúce osoby v prípade spätného nárazu. Brzdu reťaze je potrebné pred každým použitím otestovať, či funguje správne v uvoľnenej aj zabrzdenej polohe.

Zachytávač reťaze

Zachytávač reťaze zabráňuje odhodneniu pílovej reťaze smerom k obsluhu, ak sa reťaz uvoľní alebo roztrhne.

MONTÁŽ

VAROVANIE

Ak nejaké predmety chýbajú alebo sú viditeľne poškodené, nepracujte s týmto strojom, kým sa súčasťou nevymenia. Pri nerešpektovaní tejto výstrahy by mohlo dôjsť k vážnemu poraneniu osôb.

MONTÁŽ PÍLOVEJ REŤAZE A VODIACEJ LIŠTY

Pozrite stranu 268 - 269.

1. Odpojte elektrickú zástrčku. Používajte ochranné rukavice.
2. Odskrutkujte poistné tlačidlo vodiacej lišty a odstráňte kryt reťazového kolesa.
3. Pílová reťaz musí byť otočená v smere otáčania reťaze. Ak sú orientované dozadu, otočte celú reťaz.
4. Články reťazového prevodu vložte do drážky lišty.
5. Reťaz musí vytvoriť slučku v zadnej časti vodiacej lišty.
6. Podržte reťaz v správnej pozícii na lište a nasadte slučku okolo hnacieho reťazového kolesa. Spustite lištu, aby maticová skrutka prešla cez otvor v nasadenej zostave napnutia reťaze.
7. Nasadte kryt ozubeného kolesa a potom v smere pohybu hodinových ručičiek utiahnite poistný gombík napínania reťaze/vodiacej lišty, kým nezapadne v správnej polohe. Napnutie reťaze pravidelne kontrolujte.
Napnutie reťaze je správne, keď medzera medzi medzi nožom v reťazi a lištou približne 3 mm až 4 mm. Potiahnite reťaz v strede spodnej strany nadol (smerom od lišty) a odmerajte vzdialenosť medzi lištou a nožmi reťaze.
8. V smere pohybu hodinových ručičiek utiahnite a zablokujte poistný gombík napínania reťaze/vodiacej lišty.

NASTAVENIE NAPNUTIA REŤAZE

Pozrite stranu 279.

1. Odpojte ho od zdroja napájania. Používajte ochranné rukavice.
2. Na vykonanie napnutia reťaze úplne uvoľnite poistný gombík napínania reťaze/vodiacej lišty; potom v smere pohybu hodinových ručičiek utiahnite poistný gombík napínania reťaze/vodiacej lišty, kým nezapadne v správnej polohe. Napnutie reťaze pravidelne kontrolujte.
Napnutie reťaze je správne, keď medzera medzi medzi nožom v reťazi a lištou približne 3 mm až 4 mm. Potiahnite reťaz v strede spodnej strany nadol (smerom od lišty) a odmerajte vzdialenosť medzi lištou a nožmi reťaze.
3. V smere pohybu hodinových ručičiek utiahnite a zablokujte poistný gombík napínania reťaze/vodiacej lišty.

POZNÁMKA: Lišta a zostava napínania reťaze sa musia voľne pohybovať, musia byť bez akýchkoľvek špiny

a pílová reťaz musí správne obopínať ozubené koleso. Ak bude po zaistení poistného gombíka napínania reťaze/vodiacej lišty napnutie reťaze veľmi tesné alebo veľmi voľné, skontrolujte, či sú vodiaca lišta a zostava napínania reťaze čisté a správne zmontované.

V prípade potreby odmontujte kryt ozubeného kolesa a vodiacu lištu, vykonajte vyčistenie a znova zmontujte diely.

PREVÁDZKA

PRIDÁVANIE MAZACIEHO OLEJA REŤAZE

Pozrite stranu 269.

VAROVANIE

Nikdy nepracujte bez maziva reťaze! Ak pílová reťaz beží bez maziva, vodiaca lišta a pílová reťaz môžu byť poškodené. Je dôležité pravidelne a aj pred začatím používania reťazovej pily kontrolovať hladinu oleja v ukazovateli hladiny oleja.

1. Vyčistite plochu v okolí olejového viečka, aby nedošlo ku kontaminácii.
2. Odskrutkujte a odstráňte viečko z olejovej nádržky.
3. Do olejovej nádržky nalejte olej a sledujte hladinomer oleja. Dbajte na to, aby do olejovej nádržky pri naplňaní nevnikli žiadne nečistoty.
4. Znova nasadte a utiahnite olejové viečko. Prípadne vyliaty olej utrite.
5. Jedna plná olejová nádržka umožňuje používanie pily po dobu 12 - 18 minút.

DRŽANIE REŤAZOVEJ PÍLY

Pozrite stranu 269.

Reťazovú pílu vždy držte pravou rukou na zadnej rukoväti a ľavou rukou na pravej rukoväti. Uchopte obe rukoväte, aby palce a prsty obopínali rukoväte. Dbajte na to, aby vaša ľavá ruka držala prednú rukoväť tak, že palec je zospodu.

VAROVANIE

Okrem toho, že neusporiadané káble predstavujú riziko usmrtenia elektrickým prúdom, môžu spôsobiť pády a zakopnutia. Odpojte produkt od zdroja energie.

SPUSTENIE REŤAZOVEJ PÍLY

Pozrite stranu 269.

1. Pripojte výrobok k elektrickej zásuvke. Skontrolujte, či brzda reťaze v prevádzkovej polohe – stiahnite páčku/chrániča ruky.
2. Spustenie výrobku: Stlačte poistku vypínača a potom stlačte hlavný vypínač.

KONTROLA A OBSLUHA BRZDY REŤAZE

1. Brzdu reťaze aktivujete tak, že otočíte ľavou rukou okolo prednej rukoväte. Zadnou stranou ruky potlačte páčku brzd reťaze alebo chrániča ruky smerom k lište, kým sa reťaz rýchlo otáča. Otáčanie reťaze by sa malo okamžite zastaviť. Dbajte na to, aby ste obe ruky mali neustále na rukovätiach pily.

- Znova nastavte brzdú reťaze do polohy RUN – uchopte vrchnú časť páčky brzdy/chrániča ruky a potiahnite smerom k prednej rukoväti.

VAROVANIE

Ak brzda reťaze okamžite reťaz nezastaví alebo ak brzda reťaze nezostane bez pomoci v polohe pre chod, nechajte pred použitím výrobok opraviť v autorizovanom servisnom stredisku.

VÝMENA VODIACEJ LIŠTY A PÍLOVEJ REŤAZE

Pozrite stranu 277 - 278.

- Odpojte ho od zdroja napájania. Používajte ochranné rukavice.
- Otáčaním v smere proti pohybu hodinových ručičiek odblokujte poistný gombík napínania reťaze/vodiacej lišty, kým sa kryt ozubeného kolesa neuvoľní.
- Vyberte kryt reťazového kolesa. Odstráňte lištu a reťazovú pílu z jednotky.
- Odskrutkujte skrutku, ktorá pridržiava vodiacu lištu pri zostave napínania reťaze. Starú lištu a pílovú reťaz správny spôsobom zlikvidujte.
- Zostavu na napnutie reťaze namontujte na novú lištu a skrutku utiahnite. Položte novú reťaz v správnom smere na lištu a skontrolujte, či vodiace články sú zarovnané v drážke lišty.

- Nasadte lištu na reťazovú pílu a obtočte reťaz okolo reťazového kolesa.

Znova nasadte kryt reťazového kolesa.

- V smere pohybu hodinových ručičiek utiahnite a zablokujte poistný gombík napínania reťaze/vodiacej lišty.

Napnutie reťaze je správne, keď medzera medzi medzi nožom v reťazi a lištou približne 3 mm až 4 mm. Potiahnite reťaz v strede spodnej strany nadol (smerom od lišty) a odmerajte vzdialenosť medzi lištou a nožmi reťaze.

Nastavte napnutie reťaze. Pozrite sekciu "Nastavenie napnutia reťaze".

VAROVANIE

Nesprávne naostrenie reťaze zvyšuje riziko spätného rázu.

VAROVANIE

Ak nevymeníte alebo neopravíte poškodenú reťaz, vystavujete sa riziku vážneho zranenia.

VAROVANIE

Reťaz je veľmi ostrá. Pri údržbe reťaze vždy pracujte v rukaviciach.

KONTROLA A ČISTENIE BRZDY REŤAZE

Pozrite stranu 280.

- Mechanizmus brzdy reťaze vždy udržiavajte v čistote –

jemne okefujte spoje od špiny.

- Po čistení vždy skontrolujte výkonnosť brzdy reťaze. Ďalšie informácie nájdete v časti „Prevádzka – kontrola a prevádzka brzdy reťaze“ v tomto návode.

URNÍK VZDRŽEVANJA

Každodenné čistenie

| | |
|------------------------------|---|
| Poškodenie sieťového kábla | Pred každým použitím |
| Mazanje meča | Pred každým použitím |
| Napnutie reťaze | Pred každým použitím a pravidelne |
| Ostrino verige | Pred každým použitím, vizuálna kontrola |
| Poškodovanost delov | Pred každým použitím |
| Privitost pridrtil | Pred každým použitím |
| Funkcia brzdy reťaze | Pred každým použitím |
| Preverite in očistite | |
| Lišta | Pred každým použitím |
| Celotno žago | Po vsaki uporabi |
| Brzda reťaze | Každých 5 hodín* |

*Ure obratovanja

SYMBOLY NA PRODUKTE



Výstražná značka



Na zníženie nebezpečenstva poranenia si musí užívateľ pred použitím tohto produktu prečítať a pochopiť návod na obsluhu.



Používajte chrániče zraku, sluchu a hlavy.



Pri používaní tohto produktu používajte nešmyklavú obuv.



Používajte protišmykové odolné rukavice.



Ak sa kábel poškodí alebo pretrhne, bezprostredne pred vykonaním údržby odpojte zástrčku z elektrickej siete.



Dávajte pozor na spätný náraz reťazovej píly a vyhýbajte sa kontaktu s hrotom lišty.



Nevystavujte dažďu ani nepoužívajte vo vlhkom prostredí.



Pri práci držte pílu pevne obidvomi rukami.



Reťazovú pílu nikdy neobsluhujte len jednou rukou.



Vyhovuje všetkým regulačným normám v krajine EÚ, v ktorej bol výrobok zakúpený.



Euroázijská značka zhody



Nástroj triedy II, dvojitá izolácia



Ukrajinské označenie zhody



Opatrebované elektrické zariadenia by ste nemali odhadzovať do domového odpadu. Prosíme o recykláciu ak je možné. Kontaktujte miestne úrady, alebo predajcu pre viac informácií ohľadom ekologického spracovania.



Garantovaná hladina akustického výkonu je 104 dB (RCS1935B)



Garantovaná hladina akustického výkonu je 105 dB (RCS2340B)



Mazivo na lištu a reťaz



Brzda reťaze

Otáčaním zablokujte alebo odblokujte vodiacu lištu.



Zamknuté



Odomknuté



Smer pohybu reťaze. (Vyznačené pod krytom reťazového kolesa)

SYMBOLY V TOMTO NÁVODE



Pripojte do elektrickej zásuvky



Odpojte z elektrickej zásuvky



Diely alebo príslušenstvo predávané samostatne



Poznámka



Varovanie



Používajte chrániče zraku a tváre.



Používajte ochranu hornej polovice tela.



Používajte ochranu nôh.



Zastavte zariadenie.

Nasledujúce značky a významy vysvetľujú úroveň rizika spojeným s výrobkom.

⚠ NEBEZPEČENSTVO

Označuje bezprostredne nebezpečnú situáciu, ktorá môže vyústiť v smrť, alebo vážne zranenie.

⚠ VAROVANIE

Označuje potenciálne nebezpečnú situáciu, ktorá môže vyústiť v smrť, alebo vážne zranenie.

⚠ VÝSTRAHA

Označuje potenciálne nebezpečnú situáciu, ktorá môže vyústiť v ľahké, alebo stredne ťažké zranenie.

VÝSTRAHA

Bez symbolu bezpečnostného alarmu

Označuje situáciu, ktorá môže zapríčiniť poškodenie majetku.

Безопасността, работните характеристики и надеждността са аспектите, на които е отделен най-голям приоритет при проектирането на вашия електрически верижен трион.

ПРЕДНАЗНАЧЕНИЕ

Електрически верижен трион е предназначен за употреба само на открито. От съображения за безопасност този продукт трябва по всяко време да бъде управляван и контролиран стабилно с две ръце.

Продуктът е предназначен за рязане на клони, дънери, трупи и греди с диаметър, определен от режещата дължина на водещата шина. Предназначен е за рязане единствено на дърво. Трябва да се използва само за домашно приложение от пълнолетни лица, които имат подходящо обучение в областта на опасностите и превантивните мерки/действия, които трябва да се предприемат при употребата на продукта.

Продуктът не трябва да се използва от деца, както и от лица, които не носят подходящи лични предпазни средства и облекло. Той не трябва да се използва за професионално рязане на дърва.

Не го използвайте за никакви други цели.

⚠ ПРЕДУПРЕЖДЕНИЕ

При използване на продукта трябва да се спазват правилата за безопасност. За осигуряване на вашата безопасност и тази на страничните наблюдатели трябва да прочетете тези инструкции, преди да работите с продукта. Трябва да посетите професионално организиран курс по безопасност относно използването, превантивните действия, оказването на първа помощ и поддръжката при работа с верижни триони. Съхранявайте ръководството за експлоатация на сигурно място, за да можете да го ползвате и по-късно.

⚠ ПРЕДУПРЕЖДЕНИЕ

Верижните триони са потенциално опасни инструменти. Инцидентите, свързани с използването на верижни триони, често завършват със загуба на крайници или смърт. Опасността не идва само от самия верижен трион. Падащите клони, повалените дървета и търкалящите се дънери също могат да убиват. Нездравият или гниещ дървен материал създава допълнителни опасности. Трябва внимателно да преценявате възможностите си за безопасно справяне със съответната дейност. Ако имате някакви съмнения, оставете работата на професионален съвет.

ОСНОВНИ ПРЕДУПРЕЖДЕНИЯ ЗА БЕЗОПАСНОСТ ПРИ РАБОТА С ЕЛЕКТРИЧЕСКИ ИНСТРУМЕНТИ

⚠ ПРЕДУПРЕЖДЕНИЕ

Прочетете всички предупреждения относно безопасността и всички инструкции. Неспазването на предупрежденията и инструкциите може да доведе до токов удар, пожар и/или сериозни наранявания.

Съхранявайте всички предупреждения и инструкции за бъдещи справки.

Терминът "електрически инструмент" в предупрежденията се отнася за вашия инструмент - със захранване от електрическата мрежа (с кабел) или на батерия (безжичен).

БЕЗОПАСНОСТ НА РАБОТНАТА ЗОНА

- **Поддържайте работното пространство чисто и добре осветено.** Безпорядъкът или тъмнината в работното пространство са предпоставка за злополуки.
- **Не използвайте електрически инструменти в експлозивни среди, например в присъствието на запалителни течности, газове или прах.** По време на работа електрическите инструменти произвеждат искри, които могат да възпламенят прах или пари.
- **Дръжте децата и страничните наблюдатели далече, докато боравите с електрически инструмент.** Ако вниманието ви бъде отклонено, може да загубите контрола над електрическия инструмент.

ЕЛЕКТРИЧЕСКА БЕЗОПАСНОСТ

- **Щепселът на електрическия инструмент трябва да е съвместим с контакта. В никакъв случай не внасяйте изменения в конструкцията на щепсела.** Когато работите със занулени електрически инструменти, не използвайте адаптери за щепсела. Използването на оригиналните щепсели и контакти намалява риска от токов удар.
- **Избягвайте допир със заземени повърхности, като тръби, радиатори, печки и хладилници.** Когато тялото ви е заземено, рискът от възникване на токов удар е по-голям.
- **Не излагайте продукта на дъжд или влажни условия.** Проникването на вода в електрическия инструмент повишава опасността от токов удар.
- **Не насилвайте захранващия кабел. Никога не носете, не изключвайте и не дърпайте електрическия инструмент за кабела.** Предпазвайте кабела от нагриване, омасляване, допир до остри ръбове или до подвижни звена на машини. Повредените или усукани кабели увеличават риска от токов удар.
- **Когато работите с електрически инструмент на открито, използвайте само удължителни кабели, предназначени за работа на открито.** Използването на удължител, предназначен за работа на открито, намалява риска токов удар.
- **Ако не можете да избегнете използването на електрически инструмент на влажно място, използвайте RCD (прекъсвач със защитно изключване).** Използването на RCD намалява опасността от електрически удар.

ЛИЧНА БЕЗОПАСНОСТ

- **Бъдете бдителни, внимавайте какво правите и проявявайте благоразумие, когато боравите с електрически инструмент. Не използвайте**

EN
FR
DE
ES
IT
NL
PT
DA
SV
FI
NO
RU
PL
CS
HU
RO
LV
LT
ET
HR
SL
SK
BG
UK
TR

електрическият инструмент, когато сте уморени или под влиянието на наркотични вещества, алкохол или лекарства. Миг невнимание, докато боравите с електрически инструмент, е достатъчен за получаването на сериозни наранявания.

- **Използвайте лична защитна екипировка. Винаги носете защитни очила.** Предпазни средства като маска против прах, непълзгащи се предпазни обувки, твърда шапка или антители, използвани при подходящи условия, ще намалят физическите наранявания.
- **Не допускате нежелано стартиране.** Преди да вдигате или носите инструмента и преди да го включвате в електрическата мрежа и/или батерия, винаги проверявайте дали превключвателят е на позиция OFF (изкл). Носенето на инструмента с пръст върху превключвателя или включването му към електричеството, докато превключвателят му е на включен, е предпоставка за злополуки.
- **Махнете всички гаечни или френски ключове за настройка преди да включите инструмента.** Помощен инструмент, забравен на въртящ се елемент, може да доведе до физически наранявания.
- **Не се протягайте, за да работите на трудно достижими места.** Винаги стъпвайте стабилно по време на работа и пазете равновесие. Това дава възможност за по-добър контрол над електрическия инструмент в неочаквани ситуации.
- **Обличайте се целесъобразно.** Не носете широки дрехи или украшения. Дръжте косата, дрехите и ръкавиците си на безопасно разстояние от подвижните елементи. Широките дрехи, украшенията, дългите коси могат да бъдат захванати и увлечени от движещи се елементи.
- **Ако устройствата са оборудвани със съоръжение за издърпване и събиране на прах, уверете се, че е то свързано и функционира правилно.** Използването на устройства за събиране на прах ще намали рисковете, свързани с работа в прашни условия.

ИЗПОЛЗВАНЕ И ОБСЛУЖВАНЕ НА ЕЛЕКТРИЧЕСКИЯ ИНСТРУМЕНТ

- **Не насилвайте продукта.** Използвайте електрическия инструмент, съобразно неговото предназначение. Правилно подбраният електрически инструмент ще свърши работата по-добре и по-безопасно в зададения от производителя диапазон на натоварване.
- **Не използвайте електрически инструменти, чиито пусков прекъсвач е повреден.** Електрически инструмент, който не може да бъде контролиран посредством превключвател, е опасен и трябва да бъде ремонтиран.
- **Изключете щепсела от източника на захранване и/или батерията от електрическия инструмент, преди да извършвате каквито и да е корекции, да смените принадлежностите и преди съхраняване на електрическите инструменти**

Тази мярка премахва опасността от задействане на електрическия инструмент по невнимание.

- **Съхранявайте незаети електрически инструменти на недостъпни за деца места и не позволявайте на лица, незапознати с инструмента или с тези указания, да боравят с него.** Когато са в ръцете на неопитни потребители, електрическите инструменти могат да бъдат изключително опасни.
- **Поддържайте електрическите инструменти в изправност.** Проверявайте за неизправности или заклиняване в подвижните елементи, за счупени части или други обстоятелства, които могат да влошат работата на електрическия инструмент. Преди да използвате електрическия инструмент, се погрижете повредите да бъдат отстранени. Много от трудовете злополуки се дължат на недобре поддържани електрически инструменти.
- **Поддържайте режещите инструменти винаги добре заточени и чисти.** Инструменти, за които е полагана правилна грижа и са с добре наточени режещи елементи, се управляват по-лесно и вероятността да заядат е по-малка.
- **Използвайте електрическите инструменти, принадлежностите и режещите и др. части съобразно тези указания, като се съобразявате с работните условия и с работата, която ще извършвате.** Използването на електрически инструменти за различни от предвидените от производителя приложения повишава опасността от възникване на трудови злополуки.
- **Поддържайте ръкохватките и повърхностите за захващане сухи, чисти и неомаслени.** Хлъзгавите ръкохватки и повърхности за захващане не дават възможност за безопасно управление и контролиране на инструмента при възникване на неочаквани ситуации.

СЕРВИЗНО ОБСЛУЖВАНЕ

- **Ремонтът на електрическите инструменти трябва да се извършва само от квалифицирани специалисти и само с използваните на оригинални резервни части.** По този начин се гарантира поддържането на безопасност при работа с електрическия инструмент.

ДОПЪЛНИТЕЛНИ ОБЩИ ПРЕДУПРЕЖДЕНИЯ ЗА БЕЗОПАСНОСТ

- В някои региони действат наредби, които ограничават употребата на продукта. За съвети се обръщайте към местните власти.
- Не позволявайте на деца или на лица, незапознати с инструкциите да използват продукта. Местните наредби могат да налагат ограничения за възрастта на оператора.
- Преди всяка употреба проверявайте дали всички контроли и устройства за безопасност функционират правилно. Не използвайте електрическия инструмент, ако превключвателят "Off" ("Изключване") не спира мотора.

- Носете цялостна маска за очи и антифони, здрави и твърди ръкавици, както и каска, докато работите с продукта. Ако при косенето се отделя прах, носете и маска за лице.
- Не носете широки дрехи, шорти или каквито и да било бижута.
- Дългата коса трябва да бъде прибрана на ниво над раменете, за да се избегне нейното заплитане в движещите се части.
- Внимавайте за отхвъркнали, летящи или падащи предмети. Всички около вас, включително деца и животни, трябва да стоят най-малко на 15 m от зоната на работа.
- Не използвайте тази машина при слабо осветление. Операторът трябва да има чиста видимост върху работното пространство, за да идентифицира потенциални опасности.
- При използване на антифони ще се намали способността да чувате предупреждения (подвиквания или аларми). Операторът трябва да е особено внимателен за това, което се случва в работната зона.
- Ако наблизите се работи с подобни уреди, това увеличава риска от увреждане на слуха, така и вероятността други хора да навлязат във вашето работно пространство.
- Заемайте стабилна позиция и пазете баланс. Не се протягайте, за да работите на трудно достижими места. Прекомерното протягане може да доведе до загуба на равновесие и да увеличи опасността от откат.
- Дръжте движещите се части на разстояние от тялото си.
- Преди всяка употреба проверявайте машината за неизправности. Проверете дали всички части по управлението функционират правилно, включително верижната спирачка. Проверете за разхлабени свързки и се уверете, че всички предпазители и ръкохватки са стабилно прикрепени. Заменяйте повредените части преди употреба.
- Не модифицирайте машината по никакъв начин и не използвайте части и принадлежности, които не са препоръчани от производителя.
- Промяна в захранването може да предизвика отклонения в напрежението, които от своя страна могат да повлияят върху електрическите продукти, намиращи се в същата верига. Свържете продукта към електрозахранване с импеданс по-малък или равен на 0.33 Ω, за да сведете до минимум промените в напрежението. Свържете се с вашия доставчик на електроенергия за допълнителни разяснения.

⚠ ПРЕДУПРЕЖДЕНИЕ

Ако продуктът бъде изпуснат, претърпи силен удар или започне да вибрира неестествено, незабавно изключете продукта и проверете за повреди или се опитайте да идентифицирате причината за вибрирането. Поправките и замените на части при повреда трябва да се извършват от оторизиран сервизен център.

- Уредът трябва да бъде захранван чрез прекъсвач за защитно изключване, пропускащ ток не повече от 30 mA.
- Ако е необходимо да използвате удължаващ кабел, проверете дали той е подходящ за работа на открито или дали токовият му капацитет е достатъчен за захранване на вашия продукт. Проверявайте го за повреди преди всяка употреба. Винаги развивайте кабела при работа, защото неразвитите кабели могат да прегреят. Повредените удължителни кабели не трябва да се поправят, а да се сменят с такива от еквивалентен тип.
- Ако захранващият кабел бъде повреден, той трябва да се смени преди употреба.
- Внимавайте захранващият кабел да не е на места, където може да бъде повреден от режещите устройства, настъпен, прегазен или изложен по друг начин на повреда или напрежение.
- Никога на вдигайте и не носете продукта за електрическия кабел.
- Никога не дърпайте захранващия кабел, за да изключите инструмента от електричеството.
- Дръжте захранващия кабел далече от топлина, масло и остри предмети.
- Преди употреба огледайте захранващия кабел за повреди. Ако има следи от повреди, той трябва да бъде подменен от квалифицирано лице в оторизиран сервизен център, за да се избегне възникването на опасности.

ПРЕДУПРЕЖДЕНИЯ ЗА БЕЗОПАСНА РАБОТА С ВЕРИЖНИЯ ТРИОН

- **Когато работите с продукта, дръжте всички части на тялото си далеч от режещата верига. Преди да стартирате верижния трион, се уверете, че веригата не допира никъде.** Един миг невнимание при работа с верижния трион може да завлече части на облеклото или тялото ви във веригата.
- **Винаги дръжте верижния трион с дясната ръка за задната ръкохватка и с лявата ръка за предната ръкохватка.** Захващането на верижния трион с обратния захват увеличава опасността от нараняване и е забранено.
- **Дръжте уреда само за изолираната повърхност за хващане, защото режещата верига може да влезе в контакт със скрити кабели или със собствения си кабел.** Ако веригата влезе в контакт с открити жици, може да протече ток по металните части на електрическия инструмент, в следствие на което операторът може да претърпи токов удар.
- **Носете предпазни очила и антифони. Препоръчва се също и използването предпазни средства за главата, ръцете и краката.** Подходящото предпазно облекло намалява опасността от нараняване от отхвърчащите отломки, както и от допир по невнимание до режещата верига.
- **Не работете с верижния трион, качени на дърво.** Съществува опасност от нараняване, ако работите

EN
FR
DE
ES
IT
NL
PT
DA
SV
FI
NO
RU
PL
CS
HU
RO
LT
ET
HR
SL
SK
BG
UK
TR

с верижния трион, докато сте се качили на дърво.

- **Стъпвайте винаги стабилно с двата крака и използвайте верижния трион само ако сте стъпили на здрава, сигурна и равна повърхност.** При стоене върху хлъзгава и нестабилна повърхност, като например стълба, е възможно да загубите равновесие и контрол над верижния трион.
- **Когато режете клон, който е обтегнат под напрежение, бъдете в готовност той да отскочи в определена посока.** Когато обтегнатите под напрежение влакна на дървото се освободят, клонът може да удари оператора или да предизвика загуба на контрол над верижния трион.
- **Бъдете особено внимателни при рязане на храсти или млади дървета.** Крехкият дървен материал може да се захване за режещата верига и да ви удари или да ви изкара от равновесно положение.
- **Носете верижния трион, като го държите за предната ръкохватка, с изключен мотор и далеч от тялото ви.** При транспортиране или при съхраняване на верижния трион винаги поставяйте предпазни капак на водещата шина. Внимателното боравене с верижния трион намалява вероятността от случаен допир до движещата се верига.
- **Спазвайте указанията за смазване, обтягане на веригата и смяна на допълнителните принадлежности.** Неправилно обтегнатата или недостатъчно смазаната верига може да се счули или да повиши значително опасността от откат.
- **Поддържайте ръкохватките сухи, чисти и неомаслени.** Омаслените ръкохватки са хлъзгави и могат да доведат до загуба на контрол.
- **Резете само дървен материал. Не използвайте верижния трион за дейности, за които той не е предназначен.** Например не използвайте верижния трион за рязане на пластмаса, зидарски или други строителни елементи, които не са от дърво. Използването на верижния трион за дейности, за които не е предназначен, може да доведе до рискови ситуации.

Причини за възникване на откат и начини за избягването му:

Може да се получи откат, ако краят на шината влезе в контакт с даден предмет или ако режещата верига бъде затисната и захваната в дървото по време на рязане.

Понякога допир до предмет с върха на водещата шина може да предизвика неочаквана обратна реакция, при която водещата шина отскача нагоре и назад по посока на оператора.

Зақлинването на веригата от горната страна на шината може рязко да отхвърли шината по посока на оператора.

В такива случаи е възможно да загубите контрол над триона и да получите сериозно нараняване. Не разчитайте само на предпазните механизми, които има трионът. Вие също трябва да предприемете различни мерки, за да избегнете риска от злополуки и наранявания.

Откатът е следствие на неправилно използване на електрическия инструмент. Той може да бъде предотвратен с предприемане на подходящи предпазни мерки, които са описани по-долу:

- **Дръжте верижния трион здраво с двете ръце, като обхващате хубава ръкохватките му с палците и показалците. Заемайте позиция на тялото и ръцете, при която ще можете да противостоите на евентуално възникнали откатни сили.** Ако се вземат подходящи предпазни мерки, при възникване на откат операторът може да овладее възникващите откатни сили. В никакъв случай не пускайте верижния трион.
- **Не се протягайте прекомерно с инструмента и не режете над височина над раменете си.** Така предотвратявате нежеланото докосване на предмети с върха на водещата шина и ще имате по-добър контрол над верижния трион при внезапно възникване на неочаквани ситуации.
- **Винаги използвайте само резервни водещи шини и режещи вериги, посочени от производителя.** Неподходящите шини или вериги могат да предизвикат счупване на веригата или възникване на откат.
- **Спазвайте инструкциите на производителя при заточване и поддръжка на веригата.** Твърде ниските ограничители на дълбочината увеличават опасността от възникване на откат.

ДОПЪЛНИТЕЛНИ ОБЩИ ПРЕДУПРЕЖДЕНИЯ ЗА БЕЗОПАСНОСТ

- Ако работите с продукта за първи път и режете дънери, е препоръчително да ги поставите върху стенд или „магаре“ за рязане на дърва.
- Уверете се, че всички предпазители, ръкохватки и буферни шипове са поставени на мястото им и са в изправност.
- Лицата, работещи с продукта, трябва да са в добро здравословно състояние. Продуктът е тежък, така че операторът трябва да бъде физически силен. Операторът трябва да е бдителен, да има добро зрение, подвижност, баланс и ловкост в ръцете. Ако имате каквито и да са съмнения, не използвайте продукта.
- Не започвайте работа с продукта, преди да е осигурена чиста работна зона, стабилна опора и път за оттегляне при падащо дърво.
- Внимавайте да не вдъшвате пръски от смазочната течност или стърготини. При необходимост носете маска или респиратор.
- Ако захранването бъде повредено, продуктът трябва да бъде ремонтиран само в упълномощен сервиз.
- Винаги дръжте захранващия кабел в добро състояние и далече от зоната на рязане. Развлечените кабели крият опасност от токов удар, а също така е възможно да се спънете в тях и да паднете.
- Не режете асми и/или малки хрсталаци (с диаметър под 75 мм).



- Когато работите с верижния трион, винаги го дръжте с двете ръце. Дръжте здраво триона, като пръстите ви трябва да обхващат дръжките. Дясната ви ръка трябва да е на задната ръкохватка, а лявата ръка на предната ръкохватка.
- Преди да включите уреда, се уверете, че режещата верига не влиза в контакт с никакви предмети.
- Не модифицирайте продукта по никакъв начин и не използвайте никакви приставки и устройства, които не са препоръчани от производителя на вашия трион.
- Налице трябва да е аптечка за първа помощ с превързочни материали за големи рани, както и средство за привличане на вниманието на оператора, когато сте близо до него (напр. свирка). В обзирима близост трябва да се намира здравен комплект с повече материали за оказване на помощ.
- Когато работите с уреда, винаги носете каска. Каска с мрежест предпазител може да спомогне за намаляване на риска от травма на лицето и главата при възникване на откат.
- Неправилно обтегнатата верига може да отскочи от водещата шина, което може да доведе до сериозно нараняване или смърт. Дължината на веригата зависи от температурата. Периодично проверявайте обтегнатостта на веригата.
- За да свикнете да използвате своя нов верижен трион, започнете с прости разрези на дървени материали, които са здраво застопорени. Правете това също и когато дълго време не сте работили с верижния трион.
- За да намалите риска от травма, причинена от контакта с движещи се части, винаги спирайте двигателя, задействайте спирачката на веригата и изваждайте щепсела от контакта. Уверете се, че всички движещи се части са спрели напълно:
 - преди оставяне на изделието без надзор
 - преди почистване или отстраняване на запушвания
 - преди монтиране или демонтиране на допълнителни приставки
 - преди проверка, поддръжка или работа по продукта
- Площта на работния участък зависи от работата, която ще се извършва, както и от на дървото или от ствола, който ще се обработва. Например поваленето на дърво изисква по-голяма работна зона от други видове рязане, като например бичене на трупи и др. Операторът трябва да внимава и да контролира всичко, което се случва в работната зона.
- Докато режете, тялото ви не трябва да бъде на една линия с водещата шина и веригата. Ако спазвате това, при евентуален откат веригата няма да влезе в контакт с вашата глава или тяло.
- Не използвайте режещи движения напред и назад, а оставете веригата сама да свърши работата. Поддържайте веригата наточена и не се опитвайте да я бутате със сила през прореза.
- Не упражнявайте натиск върху триона в края на

рязането. Бъдете готови да поемете тежестта на верижния трион, когато той прорезе рязаното дърво и се освободи. Несъобразяването с това предупреждение може да доведе до сериозни контузии.

- Не спирайте триона по средата на рязането. Оставете триона да работи, докато не се освободи от прореза.

Лични предпазни средства

Висококачествените лични предпазни средства, използвани от професионалните работници, намаляват опасността от нараняване на оператора. Следните защитни средства трябва да се използват при работа с верижния трион:

Предпазна каска

- трябва да е в съответствие с EN 397 и да има CE маркировка

Антифони

- трябва да е в съответствие с EN 352-1 и да има CE маркировка

Предпазни средства за очите и лицето

- трябва да имат CE маркировка и да са в съответствие с EN 166 (за защитни очила) или с EN 1731 (за мрежести визьори)

Ръкавици

- трябва да е в съответствие с EN381-7 и да има CE маркировка

Защитни средства за краката (гамаша)

- трябва да са в съответствие с EN381-5, да имат CE маркировка и да предоставят цялостна защита.

Предпазни ботуши за работа с верижни триони

- трябва да са в съответствие с EN ISO 20345:2004 и да са маркирани с щит, изобразяващ верижен трион, който е знак за съответствие с EN 381-3. (Потребителите, които рядко работят с уреда, могат да използват предпазни ботуши със стоманена обшивка на пръстите и със защитни маншони. Тези ботуши са в съответствие с EN 381-9 и могат да бъдат използвани, ако работната зона е равна и съществува минимален риск от спъване или заплитане в наземната растителност)

Якета за защита на горната част на тялото при работа с верижни триони

- трябва да е в съответствие с EN 381-11 и да има CE маркировка

ИНСТРУКЦИИ ОТНОСНО ОСНОВНИТЕ ТЕХНИКИ ЗА ПОВАЛЯНЕ НА ДЪРВЕТА, КАСТРЕНЕ И НАПРЕЧНО РЯЗАНЕ

Разбиране на силите и процесите, протичащи в дървения материал

Когато разберете посоките на оказване на обтягащо напрежение и притискащ натиск в дървения материал, можете да намалите „прищипванията“ на триона или поне да знаете кога да ги очаквате в процеса на рязане. Когато дървеният материал е обтегнат под напрежение,



влакната в дървото се раздалечават и при рязане в тази зона „цепнатината“ или прорезът се разширяват след преминаване на триона. Ако използвате „магаре“ за подпора при рязане на дънер, но единият край на дънера виси без подпора, ще се създаде обтягащо напрежение в горната част на дървения материал, защото теглото на висящата част на дънера ще обтегне влакната. Съответно в долната част на дънера ще се създаде притискащ натиск, защото влакната ще бъдат притиснати едно в друго. Ако направите прорез в тази зона, цепнатината ще се опита да се стесни и да се затвори по време на рязането. Това ще прещипе острието.

Поваляне на дърво

Вж. стр. 273 - 274.

Ако двама или повече човека едновременно бичат трупи и повалят дърво, между мястото на бичене и дървото за поваляне трябва да има разстояние, което е поне два пъти по-голямо от височината на поваляното дърво. При поваляне на дървета трябва да се внимава да не бъдат застрашени други лица, електропроводи, водопроводи, газопроводи и други подобни съоръжения, както и да не бъдат нанесени материални щети. Ако поваленото дърво засегне съоръжение на инфраструктурата, незабавно трябва да бъде уведомена съответната организация, стопанисваща съоръжението.

Ако работите по наклонен участък, винаги стойте нависоко, защото съществува опасност при отсичането си дървото да се изтъркаля или плъзне надолу по наклона.

Преди да се започне с повалянето, трябва да бъде набелязан и разчистен път за безопасно оттегляне от работната площадка. Пътят за оттегляне трябва да води косо назад спрямо очакваната линия на падане на дървото.

Преди повалянето трябва да бъдат отчетени естественият наклон на дървото, позицията на поголемите клони и посоката на вятъра, за да бъде преценена възможно най-точно линията на падане на дървото.

Дървото трябва да се почисти от боклуци, камъни, откъртваща се кора, пирони, скоби и тел.

Не се опитвайте да събаряте дървета, които са изгнили или са били повредени от вятър, огън, гръмотевица и т.н. Това е изключително опасно и трябва да се извършва само от професионални арбористи.

■ Направляващ прорез

Вж. стр. 273 - 274.

Направете разреза на 1/3 от диаметъра на дървото, перпендикулярно на посоката на падане. Първо направете долния хоризонтален срез на направляващия прорез. Така ще избегнете защипването на верижния трион или на водещата шина при направата на втория срез на прореза.

■ Повалящ заден срез

Вж. стр. 273 - 274.

Повалящият заден срез трябва да се направи поне 50 мм (2 инча) по-високо от хоризонталния

срез на направляващия прорез. Повалящият срез трябва да е успореден на хоризонталния срез на прореза. Направете повалящия срез така, че да остане известна непрерязана част, която действа като шарнир. Шарнирът предотвратява завъртането и падаването на дървото в неправилна посока. Не прерязвайте шарнира.

Когато повалящият срез доближи шарнира, би трябвало дървото само да започне да пада. Ако видите, че има възможност дървото да не падне в желаната посока или да се наклони и да блокира верижния трион, прекъснете разрязването и използвайте клинове от дърво, пластмаса или алуминий за разтваряне на среза и накланяне на дървото в желаната посока.

Когато дървото започне да пада, извадете верижния трион от среза, изключете го, оставете го на земята и напуснете работната площадка по предварително набелязания път за оттегляне. Внимавайте за падащи клони, както и да не се препънете.

Изрязване на дебели корени

Вж. страница 274.

Това са много големи корени, които излизат от ствола над повърхността. Преди да отсечете дървото, отстранете дебелите корени. Първо направете хоризонтален прорез в корена, след това и вертикален. Махнете изрязаната част от работния участък. След като извадите дебелите корени, пристъпете към отрязване на дървото.

Натиск и теглене

Противодействащата сила винаги е с посока, обратна на въртенето на веригата. Следователно, операторът трябва да бъде подготвен за възможността, че уредът може да отскочи (движение назад) при рязане по долния ръб на шината. За да избегнете такова движение, винаги стабилно задействайте зъбчатата опора. Уредът може да отскочи назад (към оператора) по време на рязане по дължината на горния край. За да избегнете това, се уверете, че веригата не е заключена по време на рязане по дължината на горния край.

Засядане на триона в прореза

Спрете верижния трион и го обезопасете. Не се опитвайте да освободите със сила веригата и шината от прореза, защото това вероятно ще счупи веригата, която може да отхвъркне и да удари оператора. Тази ситуация обикновено възниква, защото рязаното дърво не е поставено на правилна опора и прорязаната част прищипва острието. Ако регулирането на опората не освободи шината и веригата, използвайте дървени клинове или лост, за да разширите прореза и да освободите триона. Никога не опитвайте да стартирате верижния трион, когато водещата шина вече е заседнала в прорез или цепнатина.

Плъзгане/отскачане

Когато верижният трион не успее да задълбае по време на рязане, насочващата шина може да започне да подскача или опасно да се приплъзва по повърхността на дънера или клона, а това евентуално може да

доведе до загуба на контрол над верижния трион. За да предотвратите или намалите плъзгането или отскачането, винаги използвайте триона с две ръце. Уверете се, че веригата на триона прави жлеб за рязане.

Никога не режете малки, гъвкави клони или храсти с верижния трион. Размерът и гъвкавостта им могат лесно да доведат до отскачане на триона към вас или до това той да се заключи достатъчно силно, че да се предизвика откат. Най-добрите инструменти за този вид работа са ръчен трион, градинарски ножици, брадва или други ръчни инструменти.

Бичене на дънера

Вж. страница 275.

Биченето представлява нарязване на дънера по дължина на трупи. Важно е да стъпвате стабилно и тежестта ви да е разпределена равномерно между двата крака. Ако е необходимо, дънерът трябва да бъде подпрян с клони, греди или клинове. За да разрязвате леко, спазвайте тези прости указания. Когато дънерът е подпрян по цялата му дължина, трябва да се реже от горната му страна (горно бичене).

Когато дънерът е подпрян само от едната му страна, направете разрез от долната страна на дънера с дълбочина 1/3 от диаметъра му (долно бичене). След това направете финалния срез чрез горно бичене, като го свържете с първия разрез.

Когато дънерът е подпрян и от двете му страни, направете разрез от горната страна на дънера с дълбочина 1/3 от диаметъра му (горно бичене). След това направете финалния срез чрез долно бичене, за да срежете останалите 2/3 от диаметъра, като го свържете с първия разрез.

Когато бичите трупи на склон, винаги стойте от горната страна на дънера. За да запазите пълен контрол по време на рязане, постепенно освобождавайте упражнявания от вас натиск при приближаване края на среза, без да отпускате хватата на ръкохватките. Не позволявайте на веригата да докосва земята. След приключване на прореза изчакайте веригата да спре, преди да преместите верижния трион. Винаги изключвайте мотора, преди да преминете към следващото дърво.

Кастрене на дърво

Вж. страница 276.

Кастренето представлява премахване на клони от повалено дърво. Когато кастрите дърво, оставете големите клони от долната му страна, за да го подпират. Отрязвайте малките клони с едно режещо движение. Клоните, които са обтегнати под напрежение, трябва да бъдат отрязвани отдолу нагоре, за да се предотврати заключването на верижния трион.

Пружинни пръти

Вж. страница 276.

Огънатите клони може да са клони, изкоренени пълнове или фиданки, които са огънати от друго дърво, така че рязко ще се изправят, когато ги отрежете или махнете дървото, което ги държи.

Съществува сериозен риск изкорененият пън на отсеченото дърво да се освободи и да застане във вертикално положение при рязане, за да се отдели от ствола. Внимавайте - огънатите клони са опасни. Не опитвайте да режете огънати клони или дънери, които са под напрежение, освен ако не сте професионално обучени и компетентни за тази дейност.

⚠ ПРЕДУПРЕЖДЕНИЕ

Огънатите клони са опасни, защото могат да ви ударят и да загубите контрол над триона. При което да получите тежки или смъртоносни телесни повреди. Тази дейност трябва да се извършва от обучени потребители.

ТРАНСПОРТИРАНЕ И СЪХРАНЕНИЕ

Вж. стр. 281 - 284.

- Спрете продукта и го изключете от електрозахранването. Оставете продукта да се охлади преди съхранение или транспорт с превозно средство.
- Почистете продукта от всички чужди частици. Съхранявайте я на хладно, сухо и добре проветрявано място, което е недостъпно за деца. Не го оставайте в близост до корозивни материали като градински химикали или соли за размразяване. Не съхранявайте на открито.
- Поставете капака на водещата шина, когато приборите за съхранение или транспортирате продукта.
- Когато транспортирате продукта, го обезопасете така, че да не може да се движи или да падне, защото това може да доведе до евентуални наранявания на хора или повреди по продукта.

ПОДДРЪЖКА

Винаги поддържайте продукта в добро функционално състояние.

⚠ ПРЕДУПРЕЖДЕНИЕ

Използвайте само оригинални резервни части, аксесоари и приставки от производителя. В противен случай може да се влоши работата на инструмента или да получите тежки контузии, а гаранцията ви ще стане невалидна.

⚠ ПРЕДУПРЕЖДЕНИЕ

Сервизното обслужване изисква изключително внимание и специфични познания и следва да бъде извършвано само от квалифициран техник. Продуктът трябва да бъде ремонтиран само в упълномощен сервиз. При извършване на сервизни дейности използвайте само оригинални резервни части от производителя.

▲ ПРЕДУПРЕЖДЕНИЕ

Изключвайте машината от захранването преди да пристъпите към почистване, настройване или провеждане на работи по техническото ѝ обслужване. Несъобразяването с това предупреждение може да доведе до сериозно физическо нараняване.

- Можете да правите само такива настройки и поправки, които са описани в настоящото ръководство. Останалите видове ремонтни дейности трябва да се извършват само в упълномощен сервизен център.
- Последствията от неправилна профилактика, отстраняване или модифициране на обезопасителни принадлежности, като например спирачката на веригата, предпазителя за ръката (отпред и отзад), зъбчатата опора, предпазителя на веригата, насочващата шина, са, че дори слаб откат на веригата на триона да може да доведе до неправилното функциониране на обезопасителните принадлежности и следователно до увеличаване на вероятността от сериозно нараняване. Продуктът трябва да се подлага на професионална профилактика и да се пази.
- Безопасното заточване на веригата е дейност, която изисква съответните умения. Затова производителят силно препоръчва да подмените износената и затъпена верига с нова, която можете да намерите във вашия упълномощен сервизен център. Каталогният номер е поместен в таблицата със спецификациите на продукта в настоящото ръководство.
- Следвайте инструкциите за смазване на веригата, както и за проверяване и регулиране на нейната обтегнатост.
- Всеки път след употреба почиствайте продукта с мека и суха кърпа.
- Периодично проверявайте дали всички гайки, болтове и винтове са правилно затегнати, за да сте сигурни, че оборудването е в изправност. Всяка повредена част трябва да бъде поправена или заменена от упълномощен сервизен център.

НЕПРЕДВИДЕНИ РИСКОВЕ

Дори когато продуктът се използва по предназначение, е невъзможно напълно да се ограничи влиянието на определени рискови фактори. Описаните по-долу опасности могат да възникнат по време на работа, като операторът трябва да внимава за избягването на следното:

- Нараняване, причинено от вибрация
 - Винаги използвайте правилния инструмент за съответната работа. Използвайте предназначенияте ръкохватки. Ограничавайте времето за работа и излагане на вибрации.
- Излагането на шум може да доведе до увреждане на слуха.
 - Носете антифони и ограничете излагането

- Контакт с оголени зъбци на веригата (опасност от порязване).
- Непредвидено, внезапно движение или откат на шината (опасност от порязване).
- Части, отхвъркнали от веригата на триона (опасност от порязване/убождане).
- Отхвъркнали отломки от материала (дървени стружки, трески).
- Вдишване на стърготини и други частици.
- Контакт на кожата с масло.

НАМАЛЯВАНЕ НА РИСКА

Известно е, че вибрациите, произвеждани от ръчни инструменти може да предизвикат у някои индивиди заболяване, наречено Синдром на Рейнолд (Raynaud's Syndrome). Симптомите може да включват изтръпване, схващане и избледняване на пръстите, обикновено се забелязват при излагане на студ. Смята се, че наследствените фактори, излагането на студ и влага, диетите, пушенето и някои работни навици допринасят за развитието на тези симптоми. Могат да се вземат някои мерки, които могат да се предприемат от оператора, за да се намалят ефектите от вибрациите:

- Поддържайте телесната температура в студено време. Когато боравите с инструмента, носете ръкавици, за да поддържате ръцете и китките си топли. Според изследвания главният фактор, допринасящ за развитието на Raynaud's Syndrome, е студено време.
- Правите упражнения за активизиране на кръвообращението след всеки работен цикъл.
- Редовно излизайте в почивка. Ограничете излагането на вибрации на ден.
- Предпазните ръкавици, които се предлагат в търговските обекти за професионални верижни триони, са специално предназначени за работа с верижни триони и предоставят защита и добър захват, като същевременно намаляват ефекта от вибрирането на ръкохватките.

При поява на някой от симптомите на това заболяване, незабавно прекратете употребата на инструмента и посетете лекар.

▲ ПРЕДУПРЕЖДЕНИЕ

Продължителното използване на инструмента може да доведе до наранявания или влошаване. При използване на инструмента за продължителни периоди от време правете чести почивки.

ОПОЗНАЙТЕ ВАШИЯ ПРОДУКТ

Вж. страница 267.

1. Режеща верига
2. Шина
3. Преден предпазител/спирачка на веригата
4. Предна ръкохватка
5. Бутон за блокиране на пусковия лост
6. Задна ръкохватка

7. Буферен шип
8. Капачка на резервоара за маслото
9. Фиксатор за кабела
10. Спусък
11. Капак на зъбното колело
12. Опън на веригата / Врътка за фиксиране на водещата шина
13. Капак на водещата шина
14. Ограничител на веригата

УСТРОЙСТВА ЗА БЕЗОПАСНОСТ

Верига с ниска склонност към откат

Нискооткатните режещи вериги намаляват вероятността от възникване на откат.

Ограничителите на височината, разположени в предната част на всеки зъб, могат да намалят ефекта от отката, като се предотвратят навлизането в дълбочина в зоната на отката. Използвайте само комбинации от резервни водещи шини и режещи вериги, посочени от производителя.

Бъдете двойно по-внимателни след заточване на веригата на триона, тъй като тогава веригата става по-податлива на откат. За ваша безопасност подменяйте веригата винаги когато нейната способност за рязане намалява.

Буферен шип

Неделимия буферен шип може да се използва като опорна точка при рязане. Това помага за по-стабилното боравене с верижния трион по време на рязане. При рязане избухайте инструмента напред, докато шиповете се забият в ръба на дървото, а след това чрез преместване на задната ръкохватка нагоре или надолу по посока на прорезната линия можете да намалите физическото натоварване, съпровождащо процеса на рязане.

Шина

Обикновено използването на водещи шини с по-малък радиус при върха намалява вероятността от възникване на откат. Трябва да използвате водеща шина и подходяща верига, които да са с точната дължина за извършване на конкретната дейност. По-дългите шини увеличават риска от загуба на контрола по време на рязане. Редовно проверявайте обтегнатостта на веригата. Когато режете малки клони (по-къси от пълната дължина на водещата шина), има по-голяма вероятност веригата да падне или отхвъркне, ако тя не е обтегната както трябва.

Спирачка на веригата

Спирачката на веригата е разработена с цел да спира бързо въртящата се верига. Веригата трябва незабавно да спре, когато натиснете лоста на спирачката/предпазителя напред. Спирачката на веригата не ограничава ефекта от отката. Тя само намалява риска от наранявания, в случай че верижната шина се допре до тялото на оператора при възникване на откат. Изправността на верижната спирачка трябва да бъде тествана преди всяко използване на продукта – както в работеща, така и в спряна позиция на веригата.

Ограничител на веригата

Предпазител за веригата не позволява на веригата на триона да бъде отхвърлена към оператора, ако се разхлаби или счули.

СГЛОБЯВАНЕ

⚠ ПРЕДУПРЕЖДЕНИЕ

Ако има липсващи или повредени части, не използвайте този продукт, преди те да бъдат заменени. Несъобразяването с това предупреждение може да доведе до сериозни физически наранявания.

СГЛОБЯВАНЕ НА РЕЖЕЩАТА ВЕРИГА И ВОДЕЩАТА ШИНА

Вж. стр. 268 - 269.

1. Изключете захранващия щепсел. Носете защитни ръкавици.
2. Развийте врътката за фиксиране на водещата шина и свалете капачка на зъбното колело.
3. Режещата верига трябва да е насочена по посоката на нейното въртене. Ако са обърнати в обратна посока, завъртете направената от вас примка.
4. Наместете водещите звена на веригата в канала на шината.
5. Разположете веригата така, че да образува примка в задната част на шината.
6. Задръжте веригата неподвижно върху шината и преметнете свободната част около зъбното колело. Смишете шината, така че болтът да може да премине през отвора на прикачения механизъм за обтягане на веригата.
7. Сменете капачка на верижното зъбно колело и след това затегнете копчето за заключване на обтегача на веригата/водещата шина, като го завъртите по посока на часовниковата стрелка, докато щракне. Често проверявайте опъна на веригата. Веригата е оптимално обтегната, когато разстоянието между резците на веригата и шината е от 3 мм до 4 мм. Най-добре е да дръпнете веригата в средата на шината откъм нейния долен край (от шината навън) и да измерите разстоянието между шината и резците на веригата.
8. Затегнете и застопорете копчето за заключване на обтегача на веригата/водещата шина, като го завъртите по посока на часовниковата стрелка.

РЕГЛАЖ НА ОБТЯГАНЕТО НА ВЕРИГАТА

Вж. страница 279.

1. Изключете продукта от електрозахранването. Носете защитни ръкавици.
2. За да коригирате опъна на веригата, разхлабете напълно копчето за заключване на обтегача на веригата/водещата шина и след това го затегнете, като го завъртите по посока на часовниковата стрелка, докато щракне. Често проверявайте опъна на веригата. Веригата е оптимално обтегната, когато разстоянието между резците на веригата и шината е от 3 мм до 4 мм. Най-добре е да дръпнете веригата

в средата на шината откъм нейния долен край (от шината навън) и да измерите разстоянието между шината и резците на веригата.

3. Затегнете и застопорете копчето за заключване на обтегача на веригата/водещата шина, като го завъртите по посока на часовниковата стрелка.

ЗАБЕЛЕЖКА: Уверете се, че обтегачът на шината и веригата се движат свободно, без замърсявания, и че веригата на триона е правилно поставена около зъбното колело. Ако веригата е прекалено обтегната или твърде свободна след заключване на копчето за заключване на водещата шина/обтегача, проверете дали обтегачите на шината и веригата са чисти и правилно сглобени.

Ако е необходимо, свалете капака на зъбното колело и водещата шина за почистване и след това отново сглобете частите.

РАБОТА

ДОБАВЯНЕ НА СМАЗОЧНО МАСЛО ЗА ВЕРИГАТА

Вж. страница 269.

⚠ ПРЕДУПРЕЖДЕНИЕ

Никога не работете без смазочно масло за веригата. Ако веригата работи без смазочно масло, нейните резци и тя самата могат да бъдат повредени. Важно е често да се проверява нивото на маслото с помощта на индикатора за целта, както и преди да се използва верижният трион.

1. Почистете повърхността около капачката на маслото, за да предпазите маслото от замърсяване.
2. Отвинтете и отстранете капачката на резервоара за маслото.
3. Напълнете масло в резервоара, като съевременно следете маркера за равнището на маслото. Уверете се, че докато наливате масло, не влизат никакви мръсотии в резервоара.
4. Поставете обратно капачката на резервоара за маслото и я затегнете. Забършете, ако има разлято масло.
5. С едно пълнене на резервоара за масло трионът може да се използва 12 – 18 минути.

КАК ДА ДЪРЖИТЕ ВЕРИЖНИЯ ТРИОН

Вж. страница 269.

Винаги дръжте верижния трион с дясната ръка за задната ръкохватка и с лявата ръка за предната ръкохватка. Обхващайте добре ръкохватките, като сключвате палците и останалите си пръсти плътно около тях. Лявата ръка трябва да обхваща предната ръкохватка така, че палецът да е отдолу.

⚠ ПРЕДУПРЕЖДЕНИЕ

Винаги дръжте захранващия кабел в добро състояние и далече от зоната на рязане. Развлечените кабели крият опасност от токов удар, а също така е възможно да се спънете в тях и да паднете.

СТАРТИРАНЕ НА ВЕРИЖНИЯ ТРИОН

Вж. страница 269.

1. Включете продукта в ел. контакт. Дръпнете назад лоста на спирачката/предпазителя за ръката, за да сте сигурни, че спирачката е позиция за работа.
2. За да стартирате уреда: Натиснете фиксатора на спусъка и след това натиснете спусъка за включване/изключване.

ПРОВЕРЯВАНЕ ИЗПРАВНОСТТА И ИЗПОЛЗВАНЕ НА ВЕРИЖНАТА СПИРАЧКА

1. За да използвате верижната спирачка, завъртете лявата си ръка около предната ръкохватка. Докато веригата се върти бързо, използвайте задната страна на ръката си, за да избутате лоста на верижната спирачка/предпазителя за ръцете към шината. Веригата трябва незабавно да спре да се върти. Помнете, че винаги трябва да поддържате здрав хват с двете ръце върху ръкохватките.
2. Върнете обратно спирачката в работеща позиция на веригата, като хванете върха на лоста на верижната спирачка/предпазителя за ръцете и го дръпнете в посока към предната ръкохватка, докато се чуе щракване.

⚠ ПРЕДУПРЕЖДЕНИЕ

Ако верижната спирачка не спира моментално веригата или не може да стои в работна позиция без намеса, занесете продукта в упълномощен сервизен център за поправка, преди да го използвате.

СМЯНА НА ВОДЕЩАТА ШИНА И РЕЖЕЩАТА ВЕРИГА

Вж. стр. 277 - 278.

1. Изключете продукта от електрозахранването. Носете защитни ръкавици.
2. Отключете копчето за заключване на обтегача на веригата/водещата шина, като го завъртите по посока обратна на часовниковата стрелка, докато разхлабите капака на верижното зъбно колело.
3. Свалете капака на зъбното колело. Свалете шината и режещата верига от инструмента.
4. Махнете винта, който държи водещата шина към обтегача на веригата. Извършете използваната шина и режещата верига съгласно разпоредбите за това.
5. Монтирайте обтегача на веригата на новата шина и затегнете винта. Поставете новата верига върху шината в правилната позиция и се уверете, че водещите звена на веригата са наместени в канала на шината.
6. Закрепете шината към верижния трион и преметнете веригата около зъбното колело. Поставете отново капака на зъбното колело.
7. Затегнете и застопорете копчето за заключване на обтегача на веригата/водещата шина, като го завъртите по посока на часовниковата стрелка. Веригата е оптимално обтегната, когато разстоянието между резците на веригата и шината е от 3 мм до 4 мм. Най-добре е да дръпнете веригата

в средата на шината откъм нейния долен край (от шината навън) и да измерите разстоянието между шината и резците на веригата.

Регулирайте обтегнатостта на веригата. Вижте раздела „Регулиране на обтегнатостта на веригата“.

⚠ ПРЕДУПРЕЖДЕНИЕ

Лошото заточване на веригата повишава опасността от откат.

⚠ ПРЕДУПРЕЖДЕНИЕ

Ако не подмените или не поправите повредената верига, се излагате на риск от тежки телесни повреди.

⚠ ПРЕДУПРЕЖДЕНИЕ

Веригата е много остра. Винаги носете предпазни ръкавици, когато извършвате дейности по поддръжката.

ПРОВЕРКА И ПОЧИСТВАНЕ НА ВЕРИЖНАТА СПИРАЧКА

Вж. страница 280.

- Винаги поддържайте механизма на верижната спирачка чист, като леко изчистете сглобката му от мръсотия.
- След всяко почистване проверявайте изправността на верижната спирачка. За допълнителна информация направете справка с раздел „Работа – Проверка и експлоатация на спирачката на веригата“ в това ръководство.

ГРАФИК ЗА ПОДДРЪЖКА

| Ежедневна проверка | |
|-----------------------------------|---|
| Захранващ кабел за повреда | Преди всяка употреба |
| Смазване на шината | Преди всяка употреба |
| Опън на веригата | Редовно и преди всяка употреба |
| Острота на веригата | Преди всяка употреба, визуална проверка |
| За повредени части | Преди всяка употреба |
| За разхлабени връзки | Преди всяка употреба |
| Функция на спирачката на веригата | Преди всяка употреба |
| Проверка и почистване | |
| Шина | Преди всяка употреба |
| Целия трион | след всяка употреба |
| Спирачка на веригата | На всеки 5 часа* |

*Часове работа

СИМВОЛИ НА ПРОДУКТА



Предупреждение относно безопасността



За да се намали опасността от наранявания, потребителят трябва да прочете и да разбере ръководството за оператора, преди да използва този продукт.



Носете защитни средства за очите, слуха и главата.



Носете непързалици се защитни обувки, когато използвате продукта.



Носете здрави ръкавици, пригодени против плъзгане.



Ако кабелът е повреден или срязан, както и непосредствено преди профилактика, изключете щепсела от електрическата мрежа.



Внимавайте за откат на верижния трион и избягвайте контакт с върха на шината.



Не излагайте на дъжд и на влажни условия.



Дръжте и работете с триона с двете си ръце.



Не работете с триона, като го държите само с една ръка.



Тази машина е в съответствие с нормативната уредба на държавата от ЕС, където е била закупена.



EurAsian знак за съответствие



Инструмент от клас II, двойна изолация



Украински знак за съответствие



Електрическите уреди не трябва да се изхвърлят заедно с битовите отпадъци. Рециклирайте, където има възможност. Обърнете се за съвет по рециклирането към местните власти или разпространителите.



Гарантираното ниво на шум е 104 dB (RCS1935B)



Гарантираното ниво на шум е 105 dB (RCS2340B)

EN
FR
DE
ES
IT
NL
PT
DA
SV
FI
NO
RU
PL
CS
HU
RO
LV
LT
ET
HR
SL
SK
BG
UK
TR



Верижно масло



Спирачка на веригата

Завъртете, за да заключите или да отключите водещата шина



Ключалка



Отключване



Посока на движение на веригата.
(Маркирано под капака на зъбното колело)

Указва потенциално опасна ситуация, която ако не бъде избегната, може да доведе до сериозни наранявания или смърт.

⚠ ВНИМАНИЕ

Указва потенциално опасна ситуация, която ако не бъде избегната, може да доведе до дребни или средни наранявания.

ВНИМАНИЕ

Без предупредителен символ за безопасност
Указва ситуация, която може да доведе до имуществени щети.

СИМВОЛИ В НАСТОЯЩОТО РЪКОВОДСТВО



Свържете към електрически контакт.



Изключете от електрическия контакт



Частите или принадлежностите се продават отделно



Забележка



Предупреждение



Носете защитни средства за очите и лицето.



Носете защитни средства за горната част на тялото.



Носете защитни средства за краката.



Спрете продукта.

Следните сигнални думи и значенията им са предназначени да обяснят нивата на опасност, свързани с този продукт.

⚠ ОПАСНОСТ

Указва неминуемо опасна ситуация, която ако не бъде избегната, ще доведе до сериозни наранявания или смърт.

⚠ ПРЕДУПРЕЖДЕНИЕ

Головними міркуваннями при розробці цієї електричної ланцюгової пилки були безпека, ефективність та надійність.

ПЕРЕДБАЧУВАНОМУ ВИКОРИСТАННІ

Ланцюгова пилка призначена для використання тільки на свіжому повітрі. З міркувань безпеки продукт повинен належним чином контролюватися за допомогою двох рук.

Продукт призначений для обрізки гілок, стовбурів, деревини і балок з діаметром, обумовленим довжиною ріжучої частини штанги. Тільки призначено для різання деревини. Пристрій призначено тільки використання у домашньому господарстві дорослими, які отримали відповідну підготовку з приводу небезпек та профілактичних заходів / дій, які необхідно вжити під час використання пристрою.

Продукт не призначений для використання дітьми або особами, які не мають відповідних засобів індивідуального захисту та одягу. Не повинно використовуватися для професійного спилювання дерев.

Не використовуйте для будь-яких інших цілей.

⚠ Попередження

При використанні продукту, потрібно дотримуватися правил безпеки. Для вашої власної безпеки та безпеки перехожих, ви повинні прочитати і повністю зрозуміти ці інструкції перед експлуатацією виробу. Ви повинні бути присутніми на професійно організованих курсах з використання та обслуговування бензопил, профілактичних заходах та надання першої допомоги. Будь ласка, збережіть інструкції з безпеки для подальшого використання.

⚠ Попередження

Ланцюгова пилка потенційно небезпечний інструмент. Нещасні випадки, пов'язані з використанням ланцюгових пил часто призводять до втрати кінцівок або смерті. Це не просто ланцюгова пилка, це небезпека. Падаючі гілки, повалені дерева, колоди, що котяться можуть всі вбити. Хвора або гниюча деревина створює додаткові ризики. Ви повинні оцінити ваші можливості безпечного завершення завдання. Якщо є сумніви, залиште це в професійному древорубу.

ГОЛОВНІ ПОПЕРЕДЖЕННЯ З БЕЗПЕКИ ЕЛЕКТРОІНСТРУМЕНТУ

⚠ Попередження

Прочитайте всі правила безпеки та інструкції. Недотримання попереджень та інструкцій може призвести до ураження електричним струмом, пожежі та / або серйозної травми.

Збережіть всі інструкції і вказівки для майбутнього використання.

Термін "електроінструмент" у попереджувальних повідомленнях відноситься до вашого мережевого електроінструменту (дротового) або електроінструменту, що живиться від акумуляторної батареї (бездротового).

БЕЗПЕКА РОБОЧОГО МІСЦЯ

- Утримуйте робоче місце в чистоті і добре освітленим Безлад на робочому місці або темні місця спричиняють аварії.
- Не використовуйте продукт у вибухонебезпечних атмосферах, наприклад, у присутності легко займистих рідин, газів або пилу. Під час роботи косарки виникають іскри, що можуть призвести до займання пилу або парів.
- Тримайте дітей та сторонніх осіб подалі під час роботи електроінструментом. Відволікання уваги може призвести до втрати контролю.

ЕЛЕКТРОБЕЗПЕКА

- Вилка живлення електроінструменту повинна відповідати розетці. Ніколи не змінюйте вилку. Не використовуйте ніякі вилки-перехідники з заземленими (замкнутими на землю) електроінструментами. Не змініте вилки та відповідні розетки зменшують ризик ураження електричним струмом.
- Уникайте контакту тіла з заземленими поверхнями, такими як труби, радіатори, плити та холодильники. Існує підвищений ризик ураження електричним струмом, якщо ваше тіло заземлене.
- Не надавайте електроінструменти впливу дощу або вологих умов. Попадання води на пристрій збільшує ризик ураження електричним струмом.
- Не зловжуйте шнур. Ніколи не використовуйте шнур живлення для перенесення, переміщення або вилучення вилки з розетки. Тримайте шнур подалі від тепла, масла, гострих кромок або рухомих частин. Пошкоджені або заплутані шнури збільшують ризик ураження електричним струмом.
- При роботі з електроінструментом на вулиці, використовуйте подовжувач, відповідний для використання на відкритому повітрі. Використання кабелю, придатного для використання на відкритому повітрі, знижує ризик ураження електричним струмом.
- При роботі з електроінструментом у вологому середовищі використовуйте залишковий поточний пристрій (ЗПП) захищеного живлення. Використання ЗПП знижує ризик ураження електричним струмом.

ОСОБИСТА БЕЗПЕКА

- Будьте уважні, дивіться, що ви робите, і використовуйте здоровий глузд при експлуатації виробу. Не працюйте з виробом, коли ви втомлені або знаходитесь під дією наркотиків, алкоголю або медикаментів. Найменша

EN
FR
DE
ES
IT
NL
PT
DA
SV
FI
NO
RU
PL
CS
HU
RO
LV
LT
ET
HR
SL
SK
BG
UK
TR

необережність при роботі з електроінструментом може призвести до серйозних травм.

- **Використовуйте персональне захисне обладнання.** Завжди одягайте захисні окуляри. Засоби захисту, такі як респиратор, нековзне взуття, каска або засоби захисту органів слуху, що використовуються в належних умовах знизять ризик отримання травми.
- **Запобігайте випадкового запуску.** Переконайтеся, що вимикач знаходиться у вимкненому положенні перед підключенням до джерела живлення та / або акумуляторної батареї, підніманням або переміщенням інструменту. Не переносьте електроінструмент з пальцем на вимикачі або подачею живлення на інструмент, який має перемикач, щоб запобігти нещасного випадку.
- **Перед включенням електроінструменту знімайте регульовальний або гайковий ключ.** Гайковий ключ або регульовальний ключ, залишений на обертаємій частині електроінструменту, може призвести до травми.
- **Не тягніться.** Зберігайте правильну стійку і баланс весь час. Це дозволяє краще контролювати інструмент в несподіваних ситуаціях.
- **Одягайтеся правильно.** Не носіть вільний одяг або прикраси. Тримайте волосся, одяг і рукавички подалі від рухомих частин. Вільний одяг, прикраси або довге волосся можуть потрапити в рухомі частини.
- **Якщо є пристрої для підключення для збору пилу, переконайтеся, що вони під'єднані і використовуються правильно.** Використання пилозбірника знижує небезпеку, пов'язану з запиленістю.

ВИКОРИСТАННЯ ТА ДОГЛЯД ЗА ЕЛЕКТРОІНСТРУМЕНТОМ

- **Не перевантажуйте електроінструмент.** Використовуйте відповідний для вашої потреби електроінструмент. Електроінструмент виконає роботу краще і безпечніше при швидкості, для якої він був розроблений.
- **Не використовуйте електроінструмент, якщо перемикач не вклучає та вимикає його.** Будь-який електроінструмент, який не може управлятися за допомогою перемикача, є небезпечним і має бути відремонтований.
- **Відключіть вилку від джерела живлення та / або від акумулятора електроінструменту, перш ніж робити будь-які регулювання, зміну приладдя або при зберіганні електроінструменту.** Такі запобіжні заходи знижують ризик випадкового запуску приладдя.
- **Зберігайте непрацюючі електроприлади у недоступному для дітей місці і не дозволяйте особам, які не знайомі з інструкціями електричного прилада або з даними інструкціями, працювати з електроприладами.** Електроінструменти небезпечні в руках недосвідчених користувачів.

- **Обслуговуйте електроінструмент.** Перевіряйте рухомі частини на наявність зміщення елементів або некоректного з'єднання, а також поломки та будь-яких інших чинників, які можуть вплинути на роботу електроінструменту. Якщо пошкоджений, відремонтуйте електроінструмент перед використанням. Багато нещасних випадків є наслідком поганого догляду за електроінструментом.
- **Тримайте ріжучий інструмент гострим і чистим.** Добре доглянутий ріжучий інструмент з гострими ріжучими крайками рідше зв'язується і легше контролюється.
- **Використовуйте електроприлади, приладдя та насадки відповідно до цих інструкцій, урахувуючи умови та характер роботи.** Використання електричного інструменту для операцій, які відрізняються від призначених, може призвести до небезпечної ситуації.
- **Тримайте ручки та поверхні захвату сухими, чистими та без слідів мастила та змазки.** Слизькі ручки та поверхні захвату не забезпечують безпечне маніпулювання та керування інструментом у неочікуваних ситуаціях.

ОБСЛУГОВУВАННЯ

- **Дозволяйте обслуговувати ваш електроінструмент тільки кваліфікованому персоналу, використовуючи тільки ідентичні запасні частини.** Це гарантуватиме безпечну експлуатацію електроінструменту.

ДОДАТКОВІ ЗАГАЛЬНІ ПОПЕРЕДЖЕННЯ ЩОДО БЕЗПЕКИ

- У деяких регіонах існують правила, що обмежують використання продукту для деяких операцій. Перевірте з вашим місцевим органом влади для консультації
- Ніколи не дозволяйте дітям або людям, не знайомим з цими інструкціями, використовувати продукт. Місцеве законодавство може обмежувати вік оператора.
- Перед кожним використанням переконайтеся, що всі елементи керування і безпеки функціонують правильно. Не використовуйте електроінструмент, якщо "ВИМК" не зупиняє двигун.
- Одягайте повний захист для очей та слуху, міцні рукавиці, а також захист для голови під час роботи із пристроєм. використовуйте маску, якщо операція пильна.
- Не носіть вільний одяг, короткі штани або прикраси будь-якого роду.
- Зафіксуйте довге волосся вище рівня плеча, щоб запобігти заплутуванню в будь-яких рухомих частинах.
- Остерігайтеся відкинутих, летаючих або падаючих предметів. Тримайте всіх перехожих, дітей і тварин, принаймні 15 м від робочої зони.
- Не використовуйте при поганому освітленні. Оператор потрібне чіткий огляд робочої області, щоб визначити потенційні небезпеки.

- Використання захисту органів слуху знижує здатність чути попередження (крики або сигнали тривоги). Оператор повинен звернути особливу увагу на те, що відбувається в робочій зоні.
- Операції з аналогічними інструментами неподалік збільшує ризик травми слуху і можливість потрапляння інших осіб у робочу зону.
- Тримайте міцну опору і рівновагу. Не тягніться. Перенавантаження може призвести до втрати рівноваги і може збільшити ризик віддачі.
- Тримайте всі частини вашого тіла подалі від рухомої частини.
- Огляньте виріб перед кожним використанням. Перевірте правильність роботи всіх пристроїв управління, включаючи гальма ланцюга. Перевірте надійність кріплення, і т.д. Переконайтеся, що всі захисні огорожі, дефлектори і ручки правильно і надійно закріплені. У разі виявлення пошкоджених частин замініть їх до початку роботи.
- Не змінюйте машину будь-яким чином та не використовуйте деталі та приладдя, не рекомендовані виробником.
- Перепади напруги викликають коливання напруги та можуть впливати на інші електричні вироби у тій самій лінії електромережі. Підключіть пристрій до джерела живлення з опором, рівним або меншим, ніж 0,33 Ω щоб мінімізувати коливання напруги. Зверніться до постачальника електроенергії для подальших роз'яснень.

⚠ Попередження

Якщо продукт впаде, постраждав від важкого впливу або починає вібрувати, негайно зупиніть обладнання та перевірте на наявність пошкоджень або визначте причину вібрації. Будь-яке пошкодження має бути правильно відремонтовано або замінено в авторизованому сервісному центрі.

- Електроживлення має подаватися через пристрій захисного вимикання (ПЗВ) зі струмом вимикання не більше 30 mA.
- Якщо вам потрібно використовувати подовжувач переконайтеся, що він підходить для використання на відкритому повітрі і має поточний рейтинг потужності достатньо для забезпечення вашого продукту. Перевірте подовжувач перед кожним використанням на ушкодження. Завжди розкрутіть подовжувач при використанні, бо закручені шнури можуть перегрітися. Пошкоджені подовжувачі не повинні бути відремонтовані; вони повинні бути замінені еквівалентним типом.
- Якщо кабель живлення пошкоджено, його необхідно замінити перед експлуатацією.
- Переконайтеся, що шнур живлення розташований таким чином, що він не може бути пошкоджений ріжучими засобами, ви не можете спіткнутися чи інакше пошкодити його.
- Ніколи не піднімайте та не переносьте виріб за електричний кабель.

- Ніколи не тягніть за шнур живлення, щоб від'єднати виріб від електроживлення.
- Тримайте шнур живлення далеко від тепла, масла і гострих країв.
- Перед кожним використанням перевіряйте шнур живлення на наявність пошкоджень. Якщо є ознаки пошкодження, він повинен бути замінений кваліфікованим фахівцем в авторизованому сервісному центрі, щоб уникнути небезпеки.

ТЕХНІКА БЕЗПЕКИ ЛАНЦЮГОВОЇ ПИЛИ

- Під час експлуатації пристрою, тримайте всі частини тіла якомога далі від ланцюга пилки. Перш ніж запустити ланцюгову пилу, переконайтеся, що ланцюг пилки не контактує з чимось. Момент неуважності при роботі з ланцюговими пилами може викликати заплутування вашого одягу або тіла в ланцюг.
- Завжди тримайте ланцюгову пилу правою рукою на задній рукоятці і лівою рукою на передній рукоятці. Утримання ланцюгової пилки із зворотніми конфігураціями рук збільшує ризик травм і ніколи не повинно виконуватися.
- Тримайте електричний інструмент тільки за ізольовані поверхні, тому що ланцюг пилки може контактувати із прихованою провідною або зі своїм власним шнуром. Ланцюг пилки, що контактує з проводом "під напругою" може зробити металеві частини електроінструменту "під напругою" і може вдарили оператора.
- Носіть захисні окуляри та засоби захисту слуху. Крім того захисне обладнання для голови, рук, ніг і стоп рекомендується. Адекватний захисний одяг знижує травми від летючих уламків або випадкового контакту з ланцюгом.
- Не використовуйте ланцюгову пилу на дереві. Робота ланцюговою пилою на дереві може призвести до травми.
- Завжди зберігайте рівновагу і управляйте ланцюговою пилою, тільки стоячи на нерухомій, безпечній і рівній поверхні. Слизькі або нестійкі поверхні, такі як сходи можуть призвести до втрати рівноваги або контролю над ланцюговою пилою.
- При різанні сучків, які знаходяться під напругою будьте напоготові, щоб отримати віддачу. Коли напруга у волокнах відпускає напружений паросток може вдарили оператора та / або вибити бензопилу з-під контролю.
- Будьте гранично обережні при різанні хмиза і паростків. Тонкий матеріал може зловити ланцюг пилки, вдарили або потягнути вас, порушивши вашу рівновагу.
- Переносьте ланцюгову пилу за передню рукоятку вимкненою і подалі від вашого тіла. При зберіганні чи транспортуванні ланцюгової пилки завжди встановлюйте кожух на направляючу штангу. Правильне поводження з ланцюговою пилою знизить імовірність випадкового контакту з рухомим пиляльним ланцюгом.
- Дотримуйтеся інструкцій по змащенню,

EN
FR
DE
ES
IT
NL
PT
DA
SV
FI
NO
RU
PL
CS
HU
RO
LV
LT
ET
HR
SL
SK
BG
UK
TR

натягненню ланцюга і заміні приладдя. Неправильно натягнутий або змашений ланцюг може або зламатися, або збільшити шанси на віддачу.

- **Тримайте ручки сухими, чистими, і вільними від масла і мастила.** Жирні, масляні ручки слизькі та викликають втрату контролю.
- **Ріжте тільки дерево. Не використовуйте ланцюгову пилу для не призначених цілей.** Наприклад, не використовуйте ланцюгову пилу для різання пластика, кладок і недеревних будівельних матеріалів. Використання ланцюгової пили для операцій, відмінних від призначених може призвести до небезпечної ситуації.

Причини і профілактика оператором віддачі:

Віддача може виникнути коли ніс або кінчик направляючої шини доторкнеться до об'єкту, або коли дерево змикається та зажимає пильний ланцюг.

Контакт з кінчиком в деяких випадках може викликати раптову зворотну реакцію, штовхнувши направляючу штангу вгору і назад до оператора.

Затиснення пильного ланцюга у верхній частині направляючої шини може підштовхнути направляючу шину швидко у напрямку оператора.

Будь-яка з цих реакцій може призвести до втрати контролю над пилюкою, що може призвести до серйозних травм. Не покладайтеся виключно на запобіжні пристрої, вбудовані в пилу. Як користувач ланцюгової пили, ви повинні зробити кілька кроків, щоб зберегти свої робочі місця для різання вільними від нещасного випадку або травми.

Віддача є результатом неправильного використання інструменту і / або неправильних дій оператора та умов використання, цього можна уникнути за допомогою запобіжних заходів, що зазначено нижче:

- **Міцно тримайте, обхопивши пальцями ручки бензопили, з обоїми руками на пилці і з положенням тіла і рук, що дозволяє вам протистояти віддачі.** Сила віддачі може керуватися за допомогою оператора, якщо виконати відповідні запобіжні заходи. Не відпускайте ланцюгову пилу.
- **Не перевищуйте та не ріжте вище рівня плечей.** Це допомагає запобігти ненавмисному контакту наконечника і дозволяє краще контролювати ланцюгову пилу у неочікуваних ситуаціях.
- **Використовуйте тільки запасні шини та ланцюги зазначені виробником.** Неправильні запасні шини і ланцюги можуть привести до поломки ланцюга і / або віддачі.
- **Дотримуйтесь інструкцій із заточування і технічного обслуговування виробника для пильного ланцюга.** Зменшення глибини висотоміра може призвести до збільшення віддачі.

ДОДАТКОВІ ЗАХОДИ БЕЗПЕКИ ЛАНЦЮГОВОЇ ПИЛИ

- Рекомендується розпилувати колоди на лісопилному козлі або рамі, коли використовуєте продукт в перший раз.
- Переконайтеся, що всі кожухи, ручки і зубчастий

бампер правильно встановлені і знаходяться в доброму стані.

- Особи, які використовують продукт повинні бути в доброму здоров'ї. Пристрій важкий, тому оператор повинен мати гарну фізичну форму. Оператор повинен бути напоготові, мати хороший зір, рухливість, рівновагу і спритність. Якщо ви маєте які-небудь сумніви, не використовуйте продукт.
- Не починайте використовувати продукт до тих пір, поки ви не маєте чисту робочу зону, стійке положення, і запланований шлях відступу далеко від падаючого дерева.
- Остерігайтеся викиду мастильного туману і тириси. Носіть маску або респіратор, якщо потрібно.
- Якщо кабель живлення пошкоджений, звертайтеся тільки до авторизованого сервісного центру.
- Завжди тримайте кабель живлення чистим та подалі від зони різання. Окрім небезпеки ураження електричним струмом, неприбрані кабелі можуть спричинити перекидання та падіння пристрою.
- Ніколи не ріжте лозу і / або невеликий підлісок (менше 75 мм в діаметрі).
- Завжди тримайте пилку міцно обома руками. Використовуйте тверде зчеплення з пальцями обхопивши ручку ланцюгової пили. Права рука повинна бути на задній рукоятці і ліва рука на передній ручці.
- Перед увімкненням виробу переконайтеся, що ланцюг пилки ні до чого не торкається.
- Не змінюйте пристрій будь-яким способом або не використовуйте його для живлення будь-яких аксесуарів або інших приладів, не рекомендованих виробником пристрою.
- Близько до оператора повинні бути аптечка, що містить великі пов'язки і засоби, щоб викликати увагу (наприклад, свисток), . Більший, всеосязний комплект повинен бути досить неподалік.
- Носіть шолом постійно під час експлуатації приладу. Шолом, оснащений сітчастим козирком, може допомогти зменшити ризик травми обличчя та голови в разі зворотнього удару.
- Неправильно натягнутий ланцюг може зіскочити з направляючої планки і може призвести до серйозних травм або смерті. Довжина ланцюга залежить від температури. Перевірте натяг часто.
- Ви повинні звикнути до вашої нової ланцюгової пили, роблячи прості розрізи на надійно підтримуемому дереві. Зробіть це, коли ви не працювали з пилюкою протягом деякого часу.
- Щоб зменшити ризик отримання травм через контакт із рухомими частинами, завжди виконуйте наступні дії: зупиніть двигун, застосуйте гальмо ланцюга та вийміть штекер з розетки. Переконайтеся, що всі рухомі частини зупинилися:
 - до того, як залишити продукт без нагляду
 - перед чищенням або перед усуненням забивання
 - перед встановленням або зняттям приладдя
 - перед перевіркою, проведенням технічного



обслуговування, або роботою з продуктом

- Розмір робочої області залежить від роботи, що виконується, а також від розміру дерева або заготовки, що беруть участь. Наприклад, вирубка дерева вимагає більшої робочої зони, ніж інші розрізи, тобто розпилювання і т.д. Оператор повинен бути в курсі, і контролювати все, що відбувається в робочій зоні.
- Ніколи не пиляйте, коли ваше тіло на лінії захисного кожуха або ланцюга. Якщо ви відчуваєте віддачу, буде запобігати контакту ланцюга з вашою головою або тілом.
- Не використовуйте рухи вперед і назад для розпилювання, нехай ланцюг зробить роботу, тримайте ланцюг гострим і не пробуйте підштовхувати ланцюг через розріз.
- Не тисніть на пилку в кінці різання. Будьте готові взяти на себе вагу пили, коли вона розріже деревину. Невиконання цієї вказівки може привести до серйозної травми або пошкодити пристрій.
- Не зупиняйте пилку на середині операції різання. Зберігайте пилку працюючою, поки не буде видалена з розрізу.

Засоби індивідуального захисту

Хорошої якості, засоби індивідуального захисту, які використовуються професіоналами допоможуть знизити ризик отримання травми оператором. Наступні пункти повинні бути використані при роботі з продуктом:

Шолом безпеки

- повинні відповідати EN 397 і мати маркування CE

Захист органів слуху

- повинні відповідати EN 352-1 і мати маркування CE

Засоби захисту органів слуху

- Захист обличчя та очей повинні мати маркування CE і відповідають стандарту EN 166 (для захисних окулярів) або EN +1731 (для сітчастих козирків)

Рукавички

- повинні відповідати EN 381-7 і мати маркування CE

Захист ніг (шкіряні штани)

- повинні відповідати EN381-5, мати маркування CE і забезпечити всебічний захист.

Захисні чоботи для роботи з ланцюговою пилою

- повинні відповідати EN ISO 20345:2004 і відзначатися щитом із зображенням ланцюгової пили, щоб показати відповідність до EN 381-3. (Іноді користувачі можуть використовувати черевки зі сталеним носком з захисними гетрами, які відповідають EN 381-9, якщо є невеликий ризик падіння або заплутування у підлісок)

Куртка для ланцюгової пили для захисту верхньої частини тіла

- повинні відповідати EN 381-11 і мати маркування CE

ІНСТРУКЦІЇ, ЩО СТОСУЮТЬСЯ ПРАВИЛЬНИХ МЕТОДІВ ДЛЯ ОСНОВНОЇ РУБКИ, ОБРІЗКИ СУЧКІВ, І РОЗПИЛЮВАННЯ

Розуміння сил в деревині

Коли ви розумієте спрямований тиск і напруження в деревині, можна зменшити "щипки" або, принаймні, очікувати їх під час різання. Напряга в розрізі означає, що волокна розтягуються, і коли різати в цьому місці "пропил" буде, як правило відкриватися, коли пила проходить скрізь. Якщо колода підтримується на козлі для пиляння і кінець звисає невідтриманим, це створює напругу на верхній частині через нависаючу вагу і розтягування волокон. деревини. Аналогічним чином, нижня частина деревини буде розрізана а волокна зіштовхнуті разом. Якщо надріз розрізу пропила буде мати тенденцію збільшуватися під час різання. Це може затиснути лезо.

Валка дерева

див. стор. 273 - 274

Коли операції розкривання і вирубки виконуються за допомогою двох або більше осіб одночасно операції вирубки повинні бути відокремлені від операції подрібнення на відстані принаймні в два рази висоти вирубуемого дерева. Дерева не повинні бути зрубані, щоб поставити під загрозу будь-яку особу, пошкодити комунальні лінії або нанести будь-які збитки. Якщо дерево робить контакт з будь-якою функціональною лінією, компанія повинна бути негайно повідомлена.

Оператору ланцюгової пили слід триматися на горі, бо дерево, швидше за все зкотиться або ззовне вниз по схилу після його падіння.

Шлях відступу повинен плануватися і очищатися перш, ніж починати пиляння. Шлях виходу повинен поширюватися назад і по діагоналі до задньої частини очікуваної лінії падіння.

Перед початком рубки, розгляньте природний нахил дерева, розташування великих гілок і напрям вітру, щоб судити, яким шляхом дерево буде падати.

Видаліть бруд, камені, кору, цвяхи, скоби та дроти з дерева.

Заборонено пилити дерева, що трухляві, повалені вітром, пошкоджені в наслідок пожежі або удару блискавки та інше. Це дуже небезпечно та може бути виконано лише професійними садівниками.

- Надріз мітки
див. стор. 273 - 274

Зробіть виїмку 1/3 діаметра дерева, перпендикулярно напрямку падіння. Зробіть нижню горизонтальну насічку в першу чергу. Це допоможе уникнути защемлення, або пиляльного ланцюга або направляючої штанги, коли друга насічка робиться.

- Насічка для заднього падіння
див. стор. 273 - 274

Зробіть задню вирубку принаймні 50 мм / 2 вище горизонтального розрізу насічки. Зробіть задню насічку, вирізану паралельно горизонтальному різанню. Зробіть задню зарубку достатньою, щоб залишити в якості підвіски. Підвіска дерева зберігає



дерево від скручування і падіння в неправильному напрямку. Не прорізайте підвіску.

Коли падіння наближається до підвіски, дерево повинно почати падати. Якщо є якийсь шанс, що дерево не може впасти в потрібному напрямку, або воно може похитнутися назад і зв'язати пиляльний ланцюг, зупиніть пиляння до задньої насічки і використовуйте клини з дерева, пластику або алюмінію, щоб відкрити розріз і дерево впало уздовж бажаної лінії падіння.

Коли дерево починає падати, вийміть пилку з розрізу, зупиніть двигун, поставте пилку і відійдіть назад запланованим зазділегіть шляхом. Будьте обережні під час падіння верхніх гілок і тримайте рівновагу.

Видаліть опорне коріння

Дивіться сторінку 274.

Опорний корінь, це великий корінь, що простягається від стовбура дерева над землею. Видаліть великі опорні коріння до рубки. Зробіть горизонтальний розріз зпершу в опорний корінь, а потім по вертикалі різання. Уберіть отриманий вільний розділ з робочої зони. Дотримуйтеся правильної процедури вирубки дерев після видалення великого опорного коріння.

Натисніть і потягніть

Сила реакції завжди протилежна напрямку руху ланцюга. Таким чином, оператор повинен бути готовий контролювати напрямок руху продукту, щоб відсторонитися (рух вперед) при різанні на нижній кромці панелі. Завжди надійно фіксуйте упор ланцюгової пили, щоб уникнути такого руху. Продукт може бути виштовхнутий назад (у напрямку до оператора) при різанні вздовж верхнього краю. Щоб уникнути цього, при розрізанні вздовж верхнього краю, переконайтеся, що ланцюг не заклінило.

Пила застрягла в розрізі.

Зупиніть ланцюгову пилу і зробіть її безпечною. Не намагайтеся примушувати ланцюг і штангу через розріз, це може розірвати ланцюг, який може відхитнутися назад і вдарити оператора. Ця ситуація зазвичай відбувається через неналежне фіксування деревини, що змушує розріз закриватися під тиском, тим самим блокуючи лезо. При регулюванні підтримки не звільняйте штангу і ланцюг, використовуйте дерев'яні клини або важіль, щоб відкрити розріз і звільнити пилку. Ніколи не намагайтеся запустити ланцюгову пилу, коли напрямна штанга вже в розрізі або пропилі.

Ковзання / підстрибування

Коли ланцюгова пилка вібує під час різання, напрямна штанга може почати підстрибувати або ковзати по поверхні колоди або гілки, що може призвести до втрати керування пилкою. Щоб запобігти або знизити ковзання або стрибки, завжди тримайте пилу обома руками. Переконайтеся, що ланцюг пили встановлено у паз для різання.

Ніколи не обрізайте маленькі, гнучкі гілки чи хмиз за допомогою бензопили. Їх розмір і гнучкість можуть легко призвести до того, що пила відстрибне у ваш бік

або достатня сила може викликати віддачу. Найкращим інструментом для такого виду роботи є ручна пилка, секатор, сокира або інші ручні інструменти.

Підтримка колоди

Дивіться сторінку 275.

Насічка розрізає колоду на потрібну довжину. Важливо переконатися, що ваша опора тверда і ваша вага рівномірно розподіляється на обидві ноги. Коли це можливо, колода повинна бути піднята і підтримуватися за допомогою сучків, колод або чурок. Дотримуйтеся простих інструкцій для зручного розпилювання. Коли колода підтримується по всій її довжині, її розрізають зверху (над козлами).

Коли колода підтримується з одного кінця, спиліть 1/3 діаметра з низу (під козлами). Потім зробіть остаточний розріз над козлами, щоб зустріти перший розріз.

Коли колода підтримується з обох кінців, розпиліть 1/3 діаметра зверху (над козлами). Потім зробіть остаточний розріз під козлами нижньої 2/3, щоб зустріти перший розріз.

При розпилюванні на схилі завжди стійте на верхньому боці колоди. Щоб зберегти контроль під час "прорізання", перед закінченням різання слід знизити тиск, міцно тримаючи ручки пилки. Не дозволяйте ланцюгу контактувати з землею. Після завершення розпилювання, почекайте поки ланцюг пили зупиниться, перш ніж рухати ланцюгову пилу. Перш ніж перейти від дерева до дерева, завжди зупиняйте двигун.

Обрізання сучків дерева

Дивіться сторінку 276.

Обрізання сучків це видалення гілок з дерева, що впало. При обрізанні сучків, залиште більші нижні кінцівки для підтримки колоди над землею. Зрізайте дрібні гілки за один прохід. Гілки під напругою повинні бути зрізані знизу вгору, щоб уникнути зв'язування ланцюгової пили.

Пружні штанги

Дивіться сторінку 276.

Пружинячою колодою може бути будь-яка колода, гілка, коренистий пеня, або саджанець, які нахилилися під напругою іншого дерева, так що вони спружиняють назад, якщо зрізати або видалити тримаючу деревину.

У впавшого дерева, коренистий пеня має високий потенціал спружинити назад в вертикальне положення під час розкривання, щоб відокремити стовбур від пня. Стежте за пружинячими колодами - вони небезпечні. Не намагайтеся зрізати зігнуті гілки або пні, які під напругою, якщо ви не професійно підготовлені і компетентні в роботі.

Попередження

Пружинячі колоди небезпечні і можуть вдарити оператора, в результаті чого оператор втратить контроль над пилкою. Це може призвести до серйозних травм або до смерті оператора. Це має бути зроблено навченими користувачами.

ТРАНСПОРТУВАННЯ ТА ЗБЕРІГАННЯ

див. стор. 281 - 284

- Зупиніть пристрій, від'єднайте від електричної мережі та дайте пристрою охолонути. Зупиніть двигун і дайте йому охолонути перед зберіганням або транспортуванням.
- Очистіть всі сторонні матеріали з продукту. Зберігайте його в сухому прохолодному і добре провітрюваному місці, недоступному для дітей. Зберігати подалі від агресивних агентів, таких як садові хімікати і солей проти обледеніння. Не зберігайте на відкритому повітрі.
- Завжди кришка направляючої шини потрібна бути встановлена перед зберіганням продукту, або під час транспортування.
- Для транспортування, забезпечіть машину від руху або падіння, щоб запобігти травми людей або пошкодження машини.

ТЕХНІЧНЕ ОБСЛУГОВУВАННЯ

Завжди зберігайте продукт в доброму робочому стані.

⚠ Попередження

Використовуйте тільки оригінальні запасні частини, аксесуари та обладнання від виробника. Невиконання цієї вимоги може привести до можливої травми, поганої продуктивності та може призвести до втрати гарантії.

⚠ Попередження

Обслуговування вимагає крайньої обережності і знання і повинно бути виконане тільки кваліфікованим фахівцем. Звертайтеся тільки до авторизованого сервісного центру. При технічному обслуговуванні використовуйте тільки ідентичні заміні частини.

⚠ Попередження

Від'єднайте пристрій від мережі живлення перед налаштуванням, технічним обслуговуванням або чисткою. Невиконання цієї вказівки може привести до серйозної травми або пошкодити пристрій.

- Ви можете зробити регулювання та ремонт, описані в цьому посібнику користувача. Для обслуговування або ремонту, звертайтеся тільки до авторизованого сервісного центру.
- Неналежне технічне обслуговування, видалення або модифікації запобіжних пристроїв, таких як ланцюгове гальмо, захист для рук (спереду і ззаду), зубчастий упор, обмежувач ланцюга, напрямна штанга, мала "віддача" ланцюгової пилки можуть призвести до порушення функції безпеки, тим самим збільшити ризик отримання серйозних травм. Тримайте продукт професійно підтримуємим і безпечним.
- Заточення ланцюга безпечно є кваліфікованою

задачею. Тому виробник настійно рекомендує замінити зношений ланцюг на новий, що можна зробити у авторизованому сервісному центрі. Номер запчастини доступний в таблиці специфікації продукту в керівництві.

- Дотримуйтесь інструкцій по змаченню і перевірці натягу ланцюга і коректуванню.
- Після кожного використання, очистіть виріб м'якою сухою тканиною.
- Перевірте всі гайки, болти і гвинти після короткого проміжка часу на правильну герметичність, щоб забезпечити продукт у безпечному робочому стані. Будь-яка пошкоджена деталь, має бути правильно відремонтована або замінена в авторизованому сервісному центрі.

НЕПЕРЕДБАЧЕНІ РИЗИКИ

Навіть за належного використання інструмента неможливо повністю нейтралізувати певні фактори залишкового ризику. Наступні небезпеки можуть виникати при використанні продукту та оператору слід звернути особливу увагу, щоб уникнути наступного:

- Травми спричинені вібрацією.
 - Завжди використовуйте для роботи правильний інструмент. Використовуйте призначені для цього ручки. Обмежить робочий час та вплив.
- Підвищений рівень шуму може спричинити пошкодження слуху.
 - Надягайте захист для органів слуху та лімітуйте вплив.
- Контакт з відкритими зубцями ланцюга пилки (небезпека при розпилюванні).
- Непередбачений, різкий рух або віддача направляючої штанги (небезпека при розпилюванні).
- Частини викидаються з ланцюга пили (небезпека пиляння / введення).
- Викиніть шматки заготовки (тріску, щепінь).
- Вдихання пилу та часток під час різання.
- Контакт шкіри з олією.

ЗНИЖЕННЯ РИЗИКУ

Відомі випадки, коли вібрація від ручних інструментів сприяє появі так званого синдрому Рейно. Симптоми схожі на ті, що з'являються під впливом холоду, включаючи поколювання, оніміння та збліднення пальців. Вважається, що спадкові чинники, вплив холоду і сирості, харчування, куріння і деякі звички роботи сприяють розвитку цих симптомів. Можна прийняти деякі заходи, які можуть бути прийняті оператором, щоб зменшити вплив вібрації:

- Підтримувати температуру тіла в холодну погоду. При використанні інструменту надягайте рукавички, щоб тримати руки та зап'ястки у теплі. Згідно з дослідженнями, основний внесок в розвиток синдрому Рейно, є холодна погода.
- Вправа для активації кровообігу після кожного запуску.

EN
FR
DE
ES
IT
NL
PT
DA
SV
FI
NO
RU
PL
CS
HU
RO
LV
LT
ET
HR
SL
SK
BG
UK
TR

- Регулярно йдуть на перерву. Лімітуйте кількість роботи на день.
- Захисні рукавички, доступні у професійних продавців ланцюгових пил, вони розроблені спеціально для використання з ланцюговою пилою і дають захист, хороше зчеплення і також зменшують вплив від вібрації ручки.

Якщо ви виявили будь-який з цих симптомів, негайно припиніть використання і зверніться до вашого лікаря згідно цих симптомів.

⚠ Попередження

Тривале використання інструменту може призвести до травмування або загострення існуючої травми. При використанні приладу протягом тривалого періоду часу, часті перерви.

ЗНАЙ СВІЙ ПРОДУКТ

Дивіться сторінку 267.

1. Ланцюг
2. Направляюча штанга
3. Передній захист рук / Гальма ланцюга
4. Передня ручка
5. Відпущення тригера
6. Задня ручка
7. Зубчастий бампер
8. Кришка мастила ланцюга
9. Кріплення дроту живлення
10. Курок перемикача
11. Кришка ланцюгового колеса
12. Натяжіння ланцюга / Ручка блокування направляючої шини.
13. Кришка направляючої штанги
14. Обмежувач ланцюга

ЗАХИСНІ ПРИСТРОЇ

Ланцюг пили з низькою віддачею

Ланцюгова пилка з низькою віддачею допомагає зменшити можливість віддачі.

Сколюючі зуби (глибиноміри) перед кожним різцем можуть звести до мінімуму силу реакції віддачі, запобігаючи врзанню різців занадто глибоко. Використовуйте тільки замінні комбінації направляючої штанги і ланцюга, рекомендовані виробником.

Так як пильні ланцюги заточені, вони втрачають деякі якості низької віддачі та потрібна особлива обережність. Для вашої безпеки, замініть пильні ланцюги при зниженні продуктивності різання.

Зубчастий бампер

Штир цільного бамперу може бути використаний в якості опори при виконанні розрізу. Це допомагає тримати ланцюгову пилу стійкою під час різання. При різанні, натисніть вперед доки різакі продукту не копаються в узлісся, а потім переміщення задньої рукоятки вгору або вниз в напрямку лінії різання може допомогти полегшити фізичне навантаження різання.

Направляючі штанги

Як правило, направляючі штанги з кінцівками невеликого радіуса мають деякою мірою нижчий, потенціал віддачі. Ви повинні використовувати направляючу шину та відповідні ланцюги, які достатньо довгі для роботи. Більш довгі шини збільшують ризик втрати контролю під час пиляння. Регулярно перевіряйте натяг ланцюга. При різанні дрібних гілок (менших, ніж вся довжина полотнища) ланцюг, швидше за все, буде скинутий, якщо натяг неправильний.

Гальма ланцюга

Гальма ланцюга призначені для швидкої зупинки обертання ланцюга. Коли важіль гальма ланцюга / захисний щиток руки штовхається в напрямку штанги, ланцюг повинен негайно зупинитися. Гальма ланцюга не запобігають віддачі. Це тільки знижує ризик травми, коли штанга ланцюга контактує з тілом оператора під час віддачі. Гальма ланцюга повинні бути перевірені перед кожним використанням для правильної роботи у робочій і гальмівній позиції.

Обмежувач ланцюга

Обмежувач ланцюга запобігає віддачі у бік оператора, якщо ланцюг пилки вивільнився або пошкодився.

МОНТАЖ

⚠ Попередження

Якщо вони не будуть замінені або пошкоджені, не використовуйте даний виріб, поки вони здебільшого не будуть замінені. Невиконання цієї вказівки може привести до серйозної травми або пошкодити пристрій.

ЗБІРКА ПИЛЯЛЬНОГО ЛАНЦЮГА І НАПРАВЛЯЮЧОЇ ШТАНГИ

див. стор. 268 - 269

1. Витягніть штепсель з розетки. Носіть захисні рукавички.
2. Отвинтите фіксатор на направляючій штанзі і зніміть кришку зірочки.
3. Пиляльний ланцюг повинен бути звернений в напрямку обертання ланцюга. Якщо вони направлені назад, переверніть петлю.
4. Помістіть ланки приводного ланцюга в канавки штанги.
5. Помістіть ланцюг так щоб була петля позаду штанги.
6. Тримайте ланцюг в положенні на штанзі і помістіть петлю навколо ланцюгового колеса приводу. Опустити штангу так, щоб болт проходив через отвір в прикріпленій збірці натягу ланцюга.
7. Зніміть кришку ланцюгового колеса, а потім відрегулюйте натяг ланцюга / напрямної штанги за допомогою фіксатора, повертаючи його за годинниковою стрілкою, доки він не зафіксується. Постійно перевіряйте напругу ланцюга. Натяг ланцюга правильний, коли розрив між різакими ланцюга і штангою між 3 мм - 4 мм. Потягніть ланцюг в середині нижньої частини штанги вниз (від штанги) і виміряйте відстань між штангою і різакими ланцюга.

- Затягніть і заблокуйте фіксатор натягу ланцюга / напрямну штангу повертаючи його за годинниковою стрілкою.

РЕГУЛЮВАННЯ НАТЯГУ ЛАНЦЮГА

Дивіться сторінку 279.

- Вимкніть пристрій від джерела живлення. Носіть захисні рукавички.
- Щоб відрегулювати натяг ланцюга, повністю ослабте натяг ланцюга/ напрямної штанги за допомогою фіксатора, а потім затягніть ланцюг/ напрямну штангу, повертаючи його за годинниковою стрілкою, доки він не зафіксується. Постійно перевіряйте напруження ланцюга.

Натяг ланцюга правильний, коли розрив між різакми ланцюга і штангою між 3 мм - 4 мм. Потягніть ланцюг в середині нижньої частини штанги вниз (від штанги) і виміряйте відстань між штангою і різцями ланцюга.

- Затягніть і заблокуйте фіксатор натягу ланцюга / напрямну штангу повертаючи його за годинниковою стрілкою.

ПРИМІТКА: Переконайтеся, що штанга та натяг ланцюга у зборі вільно рухається без бруду, а ланцюг пилки працює без змащення, направляюча штанга і ланцюг пилки можуть бути пошкоджені. Якщо натяг ланцюга занадто щільний або занадто вільний після блокування фіксатора натягу ланцюга / напрямної штанги, слід перевірити, чи натяг ланцюга та напрямна штанга у зборі чисті та правильно зібрані.

При необхідності зніміть кришку ланцюгового колеса та напрямну штангу для чищення, а потім знову зберіть всі деталі.

ФУНКЦІОНУВАННЯ

ДОДАВАННЯ МАСТИЛА ЛАНЦЮГА

Дивіться сторінку 269.

⚠ Попередження

Ніколи не працюйте без змащення ланцюга. Якщо ланцюг пилки працює без змащення, направляюча штанга і ланцюг пилки можуть бути пошкоджені. Перед початком використання ланцюгової пилки, слід перевірити рівень оливи на манометрі.

- Очистіть поверхню навколо масляної кришки, щоб запобігти забрудненню.
- Відкрутіть і зніміть кришку з масляного резервуару.
- Налійте масло в масляний резервуар і контролюйте датчик рівня масла. Переконайтеся, що бруд не потрапляє в масляний бак під час заповнення.
- Поставте кришку на місце і затягніть її. Витріть все розлите.
- Один повний бак масла дозволить вам використовувати пилку 12 - 18 хв.

ЯК СЛІД ТРИМАТИ ПИЛКУ

Дивіться сторінку 269.

Завжди тримайте пилу правою рукою за задню ручку і лівою рукою за передню ручку. Візьміться за обидві ручки з пальцями обхопившими ручки. Переконайтеся,

що ваша ліва рука тримає передню ручку таким чином, щоб великий палець знаходився знизу.

⚠ Попередження

Завжди тримайте кабель живлення чистим та подалі від зони різання. Окрім небезпеки ураження електричним струмом, неприбрані кабелі можуть спричинити перекидання та падіння пристрою.

ЗАПУСК ПИЛКИ

Дивіться сторінку 269.

- Підключіть пристрій до розетки. Переконайтеся, що ланцюгове гальмо в робочій позиції, штовхнувши важіль/ручку щитка.
- Для запуску приладу: Розблокуйте кнопку перемикача вмик./вимик., потім натисніть на неї.

ПЕРЕВІРКА ТА ЕКСПЛУАТАЦІЯ ЛАНЦЮГОВОГО ГАЛЬМА

- Увімкніть ланцюгове гальмо, повертаючи ліву руку навколо передньої рукоятки. Дозвольте задній частині руки натиснути важіль гальма ланцюга / захисний щиток руки до штанги, коли ланцюг швидко обертається. Ланцюг має припинити обертання негайно. Завжди зберігайте обидві руки на ручках пилки.
- Перевстановте гальма ланцюга назад в положення Робота, взявши за верхню частину важеля гальма ланцюга / ручну охорону і потягнувши в бік передньої рукоятки до тих пір, поки не почуєте клацання.

⚠ Попередження

Якщо гальмо ланцюга не відразу зупиняє ланцюг, або якщо гальмо ланцюга не залишиється в робочому положенні без сторонньої допомоги, віднесіть товар у авторизований сервісний центр для ремонту до використання.

ЗАМІНА НАПРАВЛЯЮЧОЇ ШТАНГИ ТА ЛАНЦЮГА

див. стор. 277 - 278

- Вимкніть пристрій від джерела живлення. Носіть захисні рукавички.
- Відпускайте натяг ланцюга/напрямної штанги, повернувши фіксатор у напрямку проти годинникової стрілки поки кришка ланцюгового колеса не буде ослаблена.
- Зніміть кришку ланцюгового колеса. Зніміть штангу та ланцюг від продукту.
- Вийміть гвинт, який фіксує напрямну штангу для натягу ланцюга. Утилізуйте використану штангу та ланцюг пилки належним чином.
- Закріпіть натяжний гвинт ланцюга у зборі на новій пластині та затягніть гвинт. Покладіть новий у правильному напрямку у штангу і переконайтеся, що ведучі ланки вирівняні в розрізі канавки штанги.
- Прикріпіть штангу до ланцюгової пилки і обгорніть ланцюг навколо ланцюгового колеса приводу. Замініть кришку ланцюгового колеса.

7. Затягніть і заблокуйте фіксатор натягу ланцюга / напрямну штангу повертаючи його за годинниковою стрілкою.

Натяг ланцюга правильний, коли розрив між різакми ланцюга і штангою між 3 мм - 4 мм. Потягніть ланцюг в середині нижньої частини штанги вниз (від штанги) і виміряйте відстань між штангою і різцями ланцюга. Відрегулюйте натяг ланцюга. Зверніться до розділу "Регулювання натягу ланцюга".

| ⚠ Попередження | |
|---|--|
| Неправильна заточка ланцюга збільшує потенціал віддачі. | |

| ⚠ Попередження | |
|---|--|
| Відмова замінити або відремонтувати пошкоджений ланцюг може призвести до серйозних травм. | |

| ⚠ Попередження | |
|---|--|
| Ланцюг пили дуже гострий. Завжди надягайте захисні рукавички при виконанні технічного обслуговування ланцюга. | |

ПЕРЕВІРКА І ОЧИЩЕННЯ ГАЛЬМА ЛАНЦЮГА

Дивіться сторінку 280.

- Завжди тримайте механізм гальма ланцюга чистим злегка очистивши з'єднання від бруду.
- Завжди перевіряйте працю гальма ланцюга після очищення. Додаткову інформацію див. у розділі "Експлуатація - Перевірка та робота гальм".

ГРАФІК РОБІТ ПО ОБСЛУГОВУВАННЮ

| Щоденна перевірка | |
|---|---|
| Наявність пошкоджень на кабелі живлення | Перед кожним використанням |
| Змащування штанги | Перед кожним використанням |
| Натягання ланцюга | Перед кожним використанням і часто |
| Гострість ланцюга | Перед кожним використанням, візуальна перевірка |
| Для пошкоджених деталей | Перед кожним використанням |
| Для послабленого кріплення | Перед кожним використанням |
| Функція ланцюгового гальма | Перед кожним використанням |
| Огляньте та очистіть | |
| Штанга | Перед кожним використанням |

| | |
|----------------|----------------------------|
| Пила повністю | Після кожного використання |
| Гальма ланцюга | Кожні 5 годин* |

* Години роботи

СИМВОЛИ НА ПРОДУКТ



Попередження



Для запобігання ризику травми користувач повинен прочитати та зрозуміти керівництво користувача перед використанням цього виробу.



Носіть захист очей, слуху, і голови.



Носіть нековзне захисне взуття при використанні продукту.



Носіть неслизькі, надміцні рукавички.



Перед технічним обслуговуванням, або якщо кабель пошкоджений або перерізаний, негайно від'єднайте вилку від розетки.



Остерігайтеся віддачі ланцюга пили та уникайте контакту з кінцівкою штанги.



Не піддавайте впливу дощу або вогкому стану.



Тримайте і використовуйте пилу правильно обома руками.



Не використовуйте пилку, використовуючи тільки одну руку.



Відповідає всім нормативним стандартам в країнах ЄС, де виріб було придбано.



Євразійська знак відповідності.



Клас II, Подвійна ізоляція



Український знак відповідності



Не викидати відпрацьовані електричні прилади разом із побутовими відходами. Утилізувати у спеціально призначених закладах. За консультацією по утилізації приладу зверніться до органу місцевої влади або дилеру.



Гарантований рівень звукової потужності 104 дБ (RCS1935B).



Гарантований рівень звукової потужності 105 дБ (RCS2340B).



Масило штанги та ланцюга



Гальма ланцюга

Поверніть для блокування або розблокування напрямної штанги



Блокувати



Розблокувати



Напрямок руху ланцюга. (Відмічено під кришкою ланцюгового колеса)

СИМВОЛИ В ЦЬОМУ ПОСІБНИКУ



Підключення до електричної розетки.



Відключення від електричної розетки.



Запчастини та аксесуари, що продаються окремо



ПРИМІТКА



Попередження



Носіть захист очей та обличчя.



Носіть захист верхньої частини тіла.



Носіть захист ніг.



Зупинка продукта

Наступні сигнальні слова і змісти призначені для

пояснення рівнів ризику, пов'язаних з продуктом.

⚠ НЕБЕЗПЕКА

Вказує на неминуче небезпечну ситуацію, яка, якщо її не уникнути, може призвести до смерті або серйозних травм.

⚠ Попередження

Вказує на потенційно небезпечну ситуацію, яка, якщо її не уникнути, може призвести до смерті або серйозних травм.

⚠ УВАГА

Вказує на потенційно небезпечну ситуацію, яка, якщо її не уникнути, може призвести до легкої або середньої травми.

УВАГА

Без попереджуючих символів

Вказує на ситуацію, яка може призвести до пошкодження майна.

EN
FR
DE
ES
IT
NL
PT
DA
SV
FI
NO
RU
PL
CS
HU
RO
LV
LT
ET
HR
SL
SK
BG
UK
TR

Elektrikli testerenin tasarımında güvenlik, performans ve güvenilirliğe en yüksek öncelik verilmiştir.

KULLANIM AMACI

Elektrikli testere yalnızca dış mekanlarda kullanım için tasarlanmıştır. Güvenlik nedenleriyle ürün iki elle kullanılarak uygun şekilde kontrol edilmelidir.

Ürün, kılavuz çubuğunun kesme uzunluğuyla belirlenen bir çaptaki dalları, kütükleri, tomrukları ve girişleri kesmek üzere geliştirilmiştir. Sadece ahşap kesmek içindir. Sadece tehlikeleri ve kullanırken alınması gerekli önleyici önlemler/hareketler konusunda yeterli eğitim almış yetişkinler tarafından evsel uygulamalarda kullanılmalıdır.

Ürün çocuklar veya uygun kişisel koruyucu ekipman ve kıyafet giymeyen kişiler tarafından kullanılamaz. Profesyonel ağaç hizmetlerinde kullanılmalıdır. Başka herhangi bir amaçla kullanmayın.

⚠ UYARI

Bu ürünü kullanırken güvenlik kurallarına uyulmalıdır. Kendi güvenliğiniz ve çevrenizdeki kişilerin güvenliği için ürünü kullanmadan önce bu talimatları tamamen okumalı ve anlamalısınız. Motorlu testerele ilgili kullanım ve bakımı, önleyici eylemler ve ilk yardım konularında profesyonelce düzenlenmiş bir kursa katılmalısınız. Lütfen bu talimatları daha sonra kullanmak üzere güvenli bir yerde saklayın.

⚠ UYARI

Motorlu testerele tehlikeli olabilecek araçlardır. Motorlu testere kullanımıyla ilgili kazalar çoğu zaman uzuv kaybı ve ölüme sonuçlanır. Tehlike kaynağı sadece motorlu testere değildir. Düşen dallar, devrilen ağaçlar, yuvarlanan tomruklar da ölümcül olabilir. Hastalıklı ya da çürümüş tomruklar ek tehlike oluşturur. Görevi güvenle tamamlama imkanınızı değerlendirmeniz gerekir. Herhangi bir kuşku halinde, işi profesyonel bir ağaç uzmanına bırakın.

ELEKTRİKLİ ALET İÇİN GENEL GÜVENLİK TALİMATLARI

⚠ UYARI

Tüm güvenlik uyarılarını ve tüm talimatları okuyun. Uyarılara ve talimatlara uymamak elektrik çarpması, yangın ve/veya ciddi yaralanma ile sonuçlanabilir.

İleride başvurmak üzere tüm uyarıları ve talimatları saklayın.

Uyarılarda yer alan "elektrikli alet" terimi şebeke gücüyle çalıştırılan (kablolu) elektrikli aleti veya pille çalıştırılan (kablolu) elektrikli aleti ifade eder.

ÇALIŞMA ALANI GÜVENLİĞİ

- Çalışma alanını temiz tutun ve iyi şekilde aydınlatın. Dağınık veya karanlık alanlar kazaya davetiye çıkarır.

- Elektrikli aletleri yanıcı sıvıların, gazların veya tozun mevcut olduğu patlayıcı atmosferlerde kullanmayın. Elektrikli aletler tozu veya buharları ateşleyebilecek kıvılcımlar oluşturur.
- Bir elektrikli alet kullanırken çocukları ve çevredeki insanları uzaklaştırın. Dikkat dağınıklığı kontrolü kaybetmenize neden olabilir.

ELEKTRİKSEL GÜVENLİK

- Elektrik fişleri prize uygun olmalıdır. Fişi hiçbir zaman hiçbir şekilde değiştirmeyin. Topraklı elektrikli aletlerle birlikte herhangi bir adaptörlü fiş kullanmayın. Üzerinde değişiklik yapılmayan fişler ve uygun prizler elektrik çarpması riskini azaltır.
- Vücudunuzla borular, radyatörler, kuzine ve buzdolabı gibi topraklı ürünlere temas etmektен kaçının. Vücudunuz topraklanırsa yüksek elektrik çarpması riski mevcuttur.
- Ürünü yağmura veya ıslak koşullara maruz bırakmayın. Elektrikli alete su girmesi elektrik çarpması riskini artırır.
- Kabloyu amaç dışı kullanmayın. Kabloyu hiçbir zaman elektrikli aleti taşımak, çekmek veya fişten çıkarmak için kullanmayın. Kabloyu ısıdan, yağdan, keskin kenarlardan veya hareketli parçalardan uzak tutun. Hasarlı veya dolanmış kablolar elektrik çarpması riskini artırabilir.
- Bir elektrikli aleti açık alanda kullanırken açık alanda kullanıma uygun bir uzatma kablosu kullanın. Açık alanda kullanıma uygun bir kablo kullanmak elektrik çarpması riskini azaltır.
- Eğer bir elektrikli aleti nemli bir yerde kullanmazsanız kaçınılmaz bir artık akım cihazı (RCD) korumalı kaynak kullanın. Bir RCD kullanmak elektrik çarpması riskini azaltır.

KİŞİSEL GÜVENLİK

- Bir elektrikli alet kullanırken dikkatli olun, yaptığınız işe dikkat edin ve sağduyulu olun. Yorgunken veya uyuşturucu, alkol veya ilaç etkisi altındayken bir elektrikli alet kullanmayın. Elektrikli aletleri kullanırken bir anlık dikkatsizlik ciddi fiziksel yaralanma ile sonuçlanabilir.
- Kişisel koruyucu ekipman kullanın. Koruyucu gözlük takın. Uygun koşullarda kullanılan toz maskesi, kaymaz güvenlik ayakkabıları, kask veya kulak tıkacı fiziksel yaralanma riskini azaltacaktır.
- Kasıtsız başlamayı önleyin. Aleti yerinden alırken veya taşırken güç kaynağına ve/veya pil takımına bağlamadan önce anahtarın kapalı konumunda olduğundan emin olun. Elektrikli aletleri parmağınız anahtarın üzerindeyken veya anahtarlı elektrikli aletlerin gücü açıkken taşımak tehlikeye davetiye çıkarır.
- Elektrikli aleti açmadan önce ayar kamasını veya anahtarını çıkartın. Bir ayar anahtarının veya kamanın elektrikli aletin döner parçasına takılı hâlde bırakılması fiziksel yaralanma ile sonuçlanabilir.
- Yukarıya doğru erişmeye çalışmayın. Yere sağlam basın ve dengenizi her zaman koruyun. Bu, beklenmedik durumlarda gücünüzü daha iyi kontrol edilmesini sağlar.

- **Uygun şekilde giyinin. Bol kıyafet giymeyin veya takı takmayın. Saçınızı, kıyafetinizi ve eldivenlerinizi hareketli parçalardan uzak tutun.** Bol kıyafetler, takı veya uzun saç hareketli parçalara yakalanabilir.
- **Eğer toz tahliye ve toplama aparatları için bağlantı cihazları sağlanmışsa bunların doğru şekilde bağlandığından ve kullanıldığından emin olun.** Toz toplama aparatı kullanmak tozdan kaynaklanan tehlikeleri azaltabilir.

ELEKTRİKLİ ALET KULLANIMI VE BAKIMI

- **Elektrikli aletin kapasitesini zorlamayın. Uygulamanız için doğru elektrikli aleti kullanın.** Doğru elektrikli alet tasarlandığı işi daha iyi ve daha güvenli bir şekilde yapacaktır.
- **Eğer anahtar açılıp kapanmıyorsa makineyi kullanmayın.** Anahtarla kontrol edilemeyen her elektrikli alet tehlikelidir ve onarılmalıdır.
- **Herhangi bir ayar yapmadan, aksesuarları değiştirmeden veya elektrikli aletleri depolamadan önce fişi güç kaynağından ve/veya pil takımını elektrikli aletten ayırın.** Bu gibi önleyici güvenlik tedbirleri elektrikli aletin kazara çalışma riskini azaltır.
- **Boş konumda olan elektrikli aletleri çocukların ulaşamayacağı yerde depolayın ve elektrikli aleti tanımayan veya bu talimatları bilmeyen kişilerin elektrikli aleti kullanımına izin vermeyin.** Elektrikli aletler eğitimsiz kullanıcıların elinde tehlikelidir.
- **Elektrikli aletlerin bakımını yapın. Hareketli parçaların hıza kaymasını ve bağlantısını, parçaların kırık olup olmadığını ve elektrikli aletin çalışmasını etkileyebilecek diğer durumları kontrol edin. Eğer hasarıysa elektrikli aleti kullanmadan önce onartın.** Pek çok kaza bakımı kötü yapılmış elektrikli aletlerden kaynaklanır.
- **Kesici aletleri keskin ve temiz tutun.** Uygun şekilde bakımı yapılan keskin kesme kenarlarına sahip kesme aletlerinin sıkışma olasılığı daha azdır ve kontrol edilmesi daha kolaydır.
- **Elektrikli aleti, aksesuarları ve alet uçlarını vb. çalışma koşullarını ve yapılacak çalışmayı dikkate alarak bu talimatlara uygun şekilde kullanın.** Elektrikli aleti amaçlananlar dışındaki çalışmalar için kullanmak tehlikeli bir durumun oluşmasına yol açabilir.
- **Kulpları ve kavrama yüzeylerini kuru, temiz ve yağdan ve gresten arındırılmış hâlde tutun.** Kaygan kulplar ve kavrama yüzeyleri beklenmedik durumlarda aletin güvenli şekilde taşınmasına ve kontrol edilmesine izin vermez.

SERVİS

- **Elektrikli aletinizi sadece aynı yedek parçaları kullanarak nitelikli bir tamirciye onartın.** Bu, elektrikli aletin güvenliğinin muhafaza edilmesini sağlar.

EK GENEL GÜVENLİK UYARILARI

- Bazı bölgeler ürünün bazı çalışmalarda kullanımına kısıtlama getiren yönetmeliklere sahiptir. Tavsiye için bölgenizdeki yetkili mercie başvurun.
- Hiçbir zaman çocukların veya talimatları bilmeyen kişilerin ürünü kullanmasına izin vermeyin. Yerel

yönetmelikler kullanıcının yaşına kısıtlama getirebilir.

- Her kullanım öncesi tüm kontrollerin ve güvenlik cihazlarının doğru şekilde çalıştığından emin olun. Eğer "kapalı" anahtar ürünü durdurmuyorsa ürünü kullanmayın.
- Ürünü çalıştırırken tam göz ve işitme koruması, sağlam ve dayanıklı eldivenin yanı sıra baş koruması da kullanın. Eğer tozlu bir çalışma yapıyorsa ayrıca bir toz maskesi takın.
- Bol kıyafet, kısa pantolon giymeyin veya herhangi bir tür takı takmayın.
- Saçlarınız uzunsa hareketli parçalara dolaşmasını önlemek için omuz seviyesinin üzerinde toplayın.
- Fırlatılan, uçan ya da düşen cisimlere dikkat edin. Yakındaki tüm kişileri, çocuk ve hayvanları çalışma alanın en az 15 metre uzağında tutun.
- Kötü aydınlatmalı koşullarda kullanmayın. Kullanıcının potansiyel tehlikeleri belirlemesi için çalışma alanını net olarak görmesi gerekir.
- Kulak tıkağı kullanımı uyarıları (sesler veya alarmlar) duyma kabiliyetinizi azaltır. Kullanıcı çalışma alanında yapılan işe ekstra dikkat etmelidir.
- Yakında benzer aletler kullanmak hem işitme kaybı riskini hem de diğer insanların çalıştığınız alana girme riskini artırır.
- Yere sağlam basın ve dengede durun. Yukarıya doğru erişmeye çalışmayın. Yukarıya uzanmak denge kaybıyla sonuçlanabilir ve geri tepme riskini artırabilir.
- Vücudunuzun tüm uzuvlarını hareketli parçalardan uzak tutun.
- Her kullanım öncesi makineyi inceleyin. Zincir freni de dahil, tüm kumandaların doğru çalışıp çalışmadığını kontrol edin. Gevşek sabitleyicilere karşı kontrol edin, tüm korumaların ve kulpların doğru ve güvenli şekilde takıldığından emin olun. Kullanmadan önce hasarlı parçaları değiştirin.
- Üründe herhangi bir değişiklik yapmayın veya üretici tarafından önerilmeyen parçalar ve aksesuarlar kullanmayın.
- Güç fırlaması voltajda dalgalanmalara neden olabilir ve aynı elektrik hattındaki diğer elektrikli ürünleri etkileyebilir. Voltaj dalgalanmalarını en aza indirmek için ürünü 0.33 Ω'a eşit veya daha düşük bir empedansa sahip bir güç kaynağına bağlayın. Daha fazla açıklama için elektrik sağlayıcınızı arayın.

⚠ UYARI

Eğer ürün düşerse, ağır darbe alırsa veya anormal şekilde titremeye başlarsa ürünü derhal durdurun ve hasara karşı inceleyin veya titreşimin nedenini belirleyin. Her tür hasar yetkili servis merkezi tarafından uygun şekilde onarılmalı veya değiştirilmelidir.

- Elektrik gücü 30 mA'yı geçmeyen trip akımına sahip bir artık akım cihazı (RCD) ile sağlanmalıdır.
- Uzatma kablosu kullanmak zorunda kalırsanız dış mekan kullanımına uygun ve ürününüzü destekleyecek akım kapasitesi derecelendirmesine sahip olduğundan emin olun. Her kullanım öncesi hasara karşı kontrol

edin. Sarılmış kablolar aşırı ısınabileceğinden kullanım sırasında her zaman açın. Zarar görmüş uzatma kabloları onarılmamalıdır, muadiliyle değiştirilmesi gerekir.

- Güç kablosu hasar görmüşse, kullanımdan önce değiştirilmelidir.
- Güç kablosunun kesme aletleri nedeniyle hasar görmeyeceği ve üzerine basmayacağınız, takılıp düşmeyeceğiniz veya başka bir hasara veya strese maruz kalmayacağı şekilde yerleştirildiğinden emin olun.
- Ürünü hiçbir zaman elektrik kablosundan kaldırmayın veya taşımayın.
- Hiçbir zaman güç kaynağından ayırmak için güç kablosundan çekmeyin.
- Güç kablosunu ısı, yağ ve keskin kenarlı nesnelere uzak tutun.
- Her kullanımdan önce, besleme kablosunu hasar açısından kontrol edin. Hasar belirtisi olması durumunda, tehlikeli bir durumdan kaçınmak için değiştirme işleminin yetkili bir servis merkezine yapılması gerekir.

MOTORLU TESTERE GÜVENLİK UYARILARI

- Ürünü çalıştırırken testere zincirinizi bütün vücudunuzdan uzak tutun. Aleti çalıştırmadan önce testere zincirinin herhangi bir nesneye temas etmediğinden emin olun. Motorlu testere çalıştırırken bir anlık dikkatsizlik gıysilerinizin ya da vücudunuzun testere zincirine kapılmasına neden olabilir.
- Motorlu testereyi tutarken, her zaman sağ elinizin arka, sol elinizin de ön tutamakta olması gerekir. Motorlu testereyi ters elle tutmak bedensel hasar riskini artıracığından asla yapılmamalıdır.
- Testere zinciri gizli teller ya da kendi kablosuyla temas edebileceği için elektrikli aleti sadece kavrama yüzeylerinden tutun. "Akım geçen" tel içeren testere zincirleri elektrikli aletin açıkta kalan metal parçalarının içerisinden "akım geçmesine" ve kullanıcıya elektrik çarpmasına neden olabilir.
- Koruyucu gözlük ve kulak tıkaçı kullanın. Baş, eller, bacak ve ayaklar için ilave koruyucu donanım kullanmak önerilir. Doğru koruyucu donanım, uçan döküntülerin ya da testere zinciriyle temasın neden olabileceği yaralanma olasılığını düşürür.
- Motorlu testereyi ağaç üzerindeyken çalıştırmayın. Ağaç üzerindeyken motorlu testere çalıştırmak bedensel yaralanmayla sonuçlanabilir.
- Her zaman yeterli dayanak kullanın ve motorlu testereyi ancak sabit, güvenli ve düz bir yüzey üzerinde durarak çalıştırın. Merdiven gibi kaygan ya da oynak yüzeyler dengenizin ya da motorlu testere kontrolünün kaybına neden olabilir.
- Gergi altındaki bir dalı keserken, geri tepmeye karşı uyanık davranın. Ağaç elyafındaki gerilim serbest kaldığında, yaylı dal operatöre çarpabilir ve/veya motorlu testerenin kontrolünün kaybolmasına neden olabilir.
- Çalı ve fidan keserken son derecede dikkatli

davranın. İnce malzeme testere zincirine kapılıp size çarpabilir ya da dengenizi kaybettirebilir.

- Motorlu testereyi ön tutamağından, testere kapatılmış ve vücudunuzdan uzakta taşıyın. Motorlu testereyi taşıy ya da depolarken her zaman kılavuz çubuğu kapağını takın. Motorlu testerenin doğru kullanılması hareketli testere zinciriyle kazara temas olasılığını azaltır.
- Yağlama, zincir germe ve aksesuar değişimi için talimatları uygulayın. Yanlış gerilmiş ya da yağlanmış zincir kopabilir ya da geri tepme olasılığını artırabilir.
- Tutamakların kuru, temiz, yağ ve greslen arınmış olmasını sağlayın. Gresli ve yağlı tutamaklar kayar ve kontrol kaybına neden olur.
- Sadece ahşap kesin. Amacı dışında kullanmayın. Örneğin: Motorlu testereyi plastik, tuğla ve ya ahşap dışı inşaat malzemesi kesmek için kullanmayın. Elektrikli aleti amaçlananlar dışındaki çalışmalar için kullanmak tehlikeli bir durumun oluşmasına yol açabilir.

Geri tepme nedenleri ve operatör önlemleri:

Kılavuz gövdenin burnu veya ucu bir nesneye dokunduğunda veya kesim sırasında ağaç testere zincirini sardığında ve sıkıştırdığında geri tepme meydana gelebilir. Bazı durumlarda ucun temas etmesi kılavuz gövdenin kullanıcıya doğru yukarı ve geri tepmesiyle ani bir ters tepkiye neden olabilir.

Testere zincirinin kılavuz gövdenin üst kısmı boyunca sıkışması kılavuz gövdeyi hızlı bir şekilde kullanıcıya doğru geri iter.

Bu tepkilerden biri makinenin kontrolünü kaybetmenize neden olabilir ve ciddi fiziksel yaralanma ile sonuçlanabilir. Yalnızca makinedeki dahili güvenlik cihazlarına güvenmeyin. Ürünü kullanıcı olarak kesme işinin kaza ya da yaralanmaya yol açmaması için bazı önlemler almalısınız.

Geri tepme aletin hatalı kullanımının ve/veya yanlış kullanım prosedürlerinin veya koşullarının bir sonucudur ve aşağıda verilen doğru önlemler alınarak önlenbilir.

- Her iki eliniz testerenin üzerinde, parmaklarınızı testere tutamaklarına dolayarak sağlamca kavrayın, kolunuzu ve bedeninizi geri tepme güçlerine karşı koyacak şekilde konuşturun. Geri tepme kuvvetleri eğer doğru önlemler alınırsa kullanıcı tarafından kontrol edilebilir. Ürünü bırakmayın.
- Uzanmayın ve omuz yüksekliği üzerinde kesim yapmayın. Böylelikle ürün ucunun istenmeyen yerlerle temas etmesi önlenir ve beklenmedik durumlarda ürünün daha iyi kontrol edilmesine sağlanır.
- Sadece üretici tarafından belirtilen yedek gövdeleri ve zincirleri kullanın. Yanlış yedek gövdeler ve zincirler zincirin kırılmasına ve/veya geri tepmeye neden olabilir.
- Testere zinciri için üreticinin bileme ve bakım talimatlarına uyun. Derinlik mastarı yüksekliğini düşürmek daha güçlü geri tepmeye neden olabilir.

MOTORLU TESTERE İÇİN EK GÜVENLİK UYARILARI

- Ürünü ilk kez kullanırken tomrukları testere tezgahı ya da yatak üzerinde kesmek önerilir.



- Bütün korkuluk, tutamak ve çivili tamponların takılı ve iyi durumda olmasını sağlayın.
- Ürünü kullanacak insanların sağlıklı olması gerekir. Ürün ağırdır; bu nedenle operatörün fizik olarak güçlü olması gerekir. Operatörün uyanık olması, iyi görüşe, hareket yeteneğine, denge ve el becerisine sahip olması gerekir. Herhangi bir kuşku halinde, ürünü kullanmayın.
- Çalışma alanını temizleyene, ayağınızı basacağınız güvenli bir yer ve düşen küçük veya ana dallardan uzakta planlı bir geri çekilme yolu hazırlayana kadar ürünü kullanmaya başlamayın.
- Yağ buharı emisyonuna ve bıçkı tozuna dikkat edin. Gerekirse maske ya da respiratör takın.
- Güç kablosu hasarlıysa, ürünün servis işlemlerini sadece yetkili bir servis merkezine yaptırın.
- Güç kablosunu her zaman toplu ve kesme alanından uzakta tutun. Elektrik çarpması tehlikesine ek olarak dağınık kablolar takılmanıza ve düşmenize neden olur.
- Bağ kütükleri ve (çapı 75 mm'den az) küçük çalılık kesmeyin.
- İşlem sırasında motorlu testereyi iki elinizle sıkıca tutun. Parmaklarınızı motorlu testere tutamaklarına dolayarak sıkıca kavrayın. Sağ elinizin arka, sol elinizin de ön tutamakta olması gerekir.
- Ürünü çalıştırmadan önce, testere zincirinin herhangi bir cisme temas etmediğinden emin olun.
- Ürünü hiçbir şekilde modifiye etmeyin ya da üreticinin tavsiye etmediği herhangi bir eklenti ya da cihaza güç vermek için kullanmayın.
- Operatörün yakınında büyük yara pansumanı ve dikkat çekme aracı (örn. düdük) içeren bir ilk yardım çantası bulunmalıdır. Yine yakında büyük ve daha kapsamlı bir kit bulundurmak gerekir.
- Ürünü kullanırken her zaman miğfer giyin. Fileli bir siperlikle donatılmış bir miğfer geri tepme anında yüzün ya da başın yaralanma riskini azaltır.
- Yanlış gerilmiş bir zincir kılavuz çubuğunun üzerinden sıçrayıp ciddi yaralanmaya hatta ölüme neden olabilir. Zincirin uzunluğu ısıya bağlıdır. Gerilimi sık sık kontrol edin.
- Yeni motorlu testerenize alışmak için sağlam desteklenmiş ahşap üzerinde basit kesim işlemleri yapmalısınız. Bu işlemi testereyi uzunca bir süre kullanmadığınız her sefer yapmalısınız.
- Hareketli parçalara temastan kaynaklanabilecek yaralanma riskini azaltmak için her zaman motoru durdurun, zincir frenini kullanın ve fişi prizden çıkarın. Tüm hareketli parçaların tamamen durduğundan emin olun:
 - ürünün yanından ayrılmadan önce
 - temizlik yapmadan veya bir tıkanıklığı açmadan önce
 - ek parçaları takmadan veya sökmeden önce
 - ürünün kontrol etmeden, bakım veya başka bir çalışma yapmadan önce
- Çalışma alanının boyutları yapılmakta olan işlemlerle birlikte, üzerinde çalışılan ağacın veya çalışma parçasının ebadına bağlıdır. Örneğin, bir ağaç kesmek, örneğin

dünger bıçkısı gibi kesim işlemlerinden daha az yer gerektirir. Operatör çalışma alanındaki her şeyin bilincinde olup denetlenmelidir.

- Vücudunuz kılavuz çubuğu ve zincirle bir hizadayken kesim yapmayın. Böylelikle, geri tepme halinde zincirin başınıza ya da vücudunuza temas etmesini önlemiş olursunuz.
- İleri geri testere hareketi uygulamayın, zincirin kendi hareketine izin verin, zincirin keskin olmasını sağlayın ve zinciri kesme bastırmayın.
- Kesim işleminin sonunda testereye baskı uygulamayın. Ağaçtan kurtulduğu zaman, testerenin ağırlığını karşılamaya hazır olun. Aksi hâlde olası ciddi fiziksel yaralanmaya neden olabilir.
- Testereyi bir kesme işleminin ortasında durdurmayın. Kesikten çıkana kadar testerenin çalışmasına izin verin.

Kişisel koruyucu ekipmanlar

Uzmanlar tarafından kullanılan iyi kalite kişisel koruyucu ekipmanlar kullanıcının yaralanma riskini azaltacaktır. Ürünü kullanırken aşağıdaki koruyucular kullanılmalıdır:

Emniyet kaskı

- EN 397'ye uygun ve CE işaretli olmalıdır

Kulak tıkacı

- EN 352-1'ye uygun ve CE işaretli olmalıdır

Gözlük ve yüz maskesi

- CE işaretli olmalı ve EN 166 (güvenlik gözlükleri için) veya EN 1731'e (tel örgü vizörler için) uygun olmalıdır

Eldivenler

- EN381-7 uyumlu CE markalı olmalıdır

Bacak koruma (çatlak)

- EN381-5 uyumlu, CE markalı olmalı ve eksiksiz koruma sağlamalıdır.

Motorlu testere emniyet çizmeleri

- EN ISO 20345:2004 ile uyumlu olmalı ve EN 381-3 uyumu belirtmek için motorlu testere gösterir bir plakayla işaretlenmelidir. (Zemin düzse ve tökezlenme ve ağaçaltı çalılara takılma riski düşüğe, geçici kullanıcılar koruyucu tozluklara sahip, çelik burunlu EN 381-9 uyumlu emniyet çizmeleri kullanılabilir)

Üst beden koruması için motorlu testere ceketleri

- EN 381-11'ye uygun ve CE işaretli olmalıdır

TEMEL AĞAÇ KESİMİ, DAL KESİMİ VE SUYUNA DIK KESİM TEKNİKLERİYLE İLGİLİ TALİMATLAR

Ahşap içindeki güçleri anlamak

Ağaç içindeki yönsel basınçları ve gerilimleri anladığınız zaman "çimdikleri" azaltılabilir ya da en azından kesim sırasında bekleyebilirsiniz. Ağaç içindeki gerilim liflerin birbirinden uzaklaştırıldığı anlamına gelir; bu bölgeyi keserseniz, testere ilerledikçe "yarık" ya da kesik açılma eğilimi gösterir. testere tezgahı üzerinde oturuyor ve ucu desteklenmeden sarkıyorsa, askıdaki tomruğun ağırlığı lifleri gererek üst yüzeyde bir gerilmeye neden olur. Aynı şekilde, tomruğun alt yüzü baskıya maruz kalır ve lifler sıkıştırılır. Bu bölgede kesme işlemi yapılması durumunda, yarık kesim sırasında kapanma eğilimi



gösterir. Bu kapanma testereyi sıkıştırır.

Ağaç kesme

Bkz. sayfa 273 - 274.

Aynı anda iki veya daha fazla kişi tarafından ağaç kesme ve hızarlama işlemi yapıldığı zaman, ağaç kesme işlemi hızarlama bölgesinden en az kesilecek ağacın yüksekliğinin iki katı mesafede yapılmalıdır. Ağaçların kişileri tehlikeye atacak, bir dağıtım hattına çarpacak ya da bir mülke zarar verecek şekilde kesilmemesi gerekir. Bir ağacın bir dağıtım hattına temas etmesi durumunda, dağıtım kuruluşu derhal durumdan haberdar edilmelidir.

Kesildikten sonra ağacın aşağı doğru yuvarlanması ya da kayması muhtemel olduğundan, motorlu testere operatörünün arazinin yukarı bölümünde durması gerekir.

Kesimler başlamadan önce bir kaçış patikası belirlenip gerektiği gibi temizlenmelidir. Kaçış patikası geriye ve düşme hattının çapraz arkasına doğru uzatılmalıdır.

Kesme işlemine başlamadan önce, ağacın nereye düşeceğini belirlemek için ağacın doğal eğimini, kalın ve uzun dalların yerlerini ve rüzgar yönünü gözden geçirin.

Ağaç üzerindeki toprak, taş, kabuk, çivi, zımba ve tel gibi cisimleri temizleyin.

Çürümüş, rüzgar, yangın, yıldırım vb.'den hasar görmüş ağaçları kesmeyin. Bu işlem çok tehlikelidir ve yalnızca profesyonel ağaç cerrahları tarafından gerçekleştirilmelidir.

■ Altan kertme

Bkz. sayfa 273 - 274.

Ağacın yüzeyine dik olarak, çapının 1/3'ü genişliğinde bir yarık açın. Önce alt yatay yarığı açın. Böylelikle, ikinci yarık açıldığı zaman testere zincirinin ya da kılavuz çubuğunun sıkışması engellenmiş olur.

■ Arka kesik

Bkz. sayfa 273 - 274.

Arka kesiyi yatay yarıktan en az 50 mm (2 inç) daha yüksekte açın. Arka kesiyi yatay kertikle paralel olmasını sağlayın. Arka kesiyi menteşe olmaya yetecek ağaç kalacak gibi açın. Menteşe ağacın dönmelerini ve yanlış yöne düşmesini önler. Menteşeyi kesmeyin.

Kesim menteşeye yaklaştıkça, ağaç düşmeye başlamalıdır. Ağacın istenen yönde düşmemesi ya da sallanıp testere zincirini kilitlemesi gibi bir olasılık halinde menteşe kesimini tamamlamadan durun ve kesiyi açmak ve ağacın istenen yöne devrilmesini sağlamak için tahta, plastik ya da alüminyum kamalar kullanın.

Ağaç devrilmeye başladığında, testereyi kesikten çıkarın, motoru durdurun, motorlu testereyi yere bırakın ve planlanan patikadan çekilin. Yüksekten düşen dallara ve ayağınızı bastığınız yere dikkat edin.

Yan köklerin çıkarılması

Bkz. sayfa 274.

Yan kök, ağacın gövdesinden çıkıp toprak üzerinde uzayan bir köktür. Ağaç kesiminden önce büyük yan kökleri uzaklaştırın. Önce yan kökte yatay bir kesik, ardından da dikey bir kesik oluşturun. Böylece kurtulan bölümü çalışma alanından uzaklaştırın. Büyük yan kökleri uzaklaştırdıktan sonra ağacı doğru yöntemle kesin.

İt ve çek

Tepek gücü her zaman zincir hareket yönünün tersine çalışır. Böylelikle, operatör çubuğu alt kenarında kesim yaparken ürünün ileri (operatörden uzağa) çekmesini kontrol etmeye hazırlıklı olmalıdır. Bu hareketi engellemek için her zaman tampon çivisini devreye alın. Ürün üst kenarı boyunca kesim yapılırken geri (operatöre doğru) itilebilir. Bunu engellemek için üst kenar boyunca kesim yapılırken zincirin sıkışmadığından emin olun.

Zincir kesikte sıkıştı

Motoru durdurun ve emniyete alın. Zinciri ve çubuğu kesikten zorla kurtarmaya çalışmayın; aksi halde zincir kopabilir ve savrulur operatöre çarpabilir. Bu durum genellikle ağaç doğru desteklenmediği ve baskı altında kesiyi kapatarak zinciri sıkıştırdığı zaman meydana gelir. Destegün ayarlanması çubuk ve zincirin kurtulması için yeterli olmazsa, zinciri açmak ve testereyi kurtarmak için ahsap kamaları kullanın. Kılavuz çubuğu kesik ya da yarık içindeyken motorlu testereyi asla çalıştırmayın.

Kayma / Sıçrama

Motorlu testere kesim sırasında gömülemeyince, kılavuz çubuğu tomruk ya da dalın yüzeyinde sıçramaya ya da tehlikeli biçimde kaymaya başlar ve motorlu testerenin denetimini kaybolmasına yol açabilir. Kayma ya sıçramayı engellemek veya azaltmak için, motorlu testereyi daime iki elle kullanın. Testere zincirinin kesim için bir oluk açtığından emin olun.

Motorlu testerenizle asla küçük, esnek dallar ya da çalı kesmeyin. Bunların boyu ve esnekliği testerenin size doğru sıçramasına ya da geri tepecek kadar kuvvetle dolanmasına neden olabilir. Böyle işler için en iyi aletler el testere, budama makasları, balta ya da benzeri el aletleridir.

Tomruk dilmek

Bkz. sayfa 275.

Dilmek, bir tomruğu belirli boylarda kesmektir. Bu işlemde yere sağlam basmanız ve ağırlığınızı her iki ayağınıza eşit dağıtmanız önemlidir. Mümkünse, tomruk kaldırılmalı ve dallar, başka tomruklar ya da takozlarla desteklenmelidir. Kolay kesim için basit talimatları uygulayın. Tomruk bütün boyunca desteklendiği zaman, üstten kesilmeye başlanır (üstten kesim)

Tomruk sadece bir ucundan destekleniyorsa, altan, çapının 1/3'ü oranında kesin (altan kesim). Daha sonra birinci kesikle birleştirmek için üstten kesim .

Tomruk her iki ucundan destekleniyorsa, üstten, çapının 1/3'ü oranında kesin (üstten kesim). Daha sonra birinci kesikle birleştirmek için alttaki 3/3'ü altan kesin.

Tomruğu bir mayilde dilerken mutlaka tomruğun üst yanından durun. "Tam kesim" yaparken, kontrolü kaybetmemek için sona yaklaştığınızda kesme basıncını azaltın, ancak motorlu testere tutamaklarını aynı güçte kavramayı sürdürün. Zincirin yere değmesine izin vermeyin. Kesme işlemini tamamladıktan sonra, testereyi hareket ettirmeden önce zincirin durmasını bekleyin. Ağaçtan ağaca geçmeden önce motoru mutlaka durdurun.

Ağacın dallarını kesmek

Bkz. sayfa 276.

Burada, kesilip devrilen bir ağacın dallarının kesilmesi anlatılmaktadır. Ağaç dallarını keserken, tomruğu yerden kaldırması için alttaki büyük dalları yerinde bırakın. Küçük dalları tek bir kesimle kesin. Motorlu testerenin sıkışmasını önlemek için, gerilim altındaki dalların dipten yukarıya kesilmesi gerekir.

Yaylı direkler

Bkz. sayfa 276.

Yaylı sap, başka ağaçların baskısıyla bükülen, ancak baskı yapan ağacın kesilmesi ya da kaldırılmasıyla eski konumuna dönen her türlü tomruk, dal, ağaç kökü veya fidandır.

Devrilmiş bir ağaçta, tomruğu kökten ayırmak için yapılan işlem sırasında köklü gövdenin dik konuma dönme ihtimali yüksektir. Yaylı saplara dikkat edin tehlikelidir. Bu konuda profesyonel eğitiminiz ve uzmanlığınız yoksa, gerilimli eğik dalları ve kökleri kesmeye çalışmayın.

⚠ UYARI

Yaylı saplar tehlikelidir, operatöre çarpıp motorlu testerenin kontrolünü yitirmesine neden olabilir. Bu durum operatörün ciddi veya ölümcül yaralar almasıyla sonuçlanabilir. Bu işlemin eğitilmiş kullanıcılar tarafından yapılması gerekir.

TAŞIMA VE DEPOLAMA

(bkz. sayfa 281 - 284)

- Ürünü durdurun. Ürünü güç kaynağından ayırın. Depolamadan ya da bir taşımadan önce ürünün soğuması için zaman tanıyın.
- Üründeki tüm yabancı maddeleri temizleyin. Çocukların erişemeyeceği serin, kuru ve iyi havalandırılan bir yerde depolayın. Bahçe kimyasalları ve buz çözücü tuzlar gibi korozif maddelerden uzak tutun. Açık alanda depolamayın.
- Ürünü depolamadan önce ya da nakliye sırasında kılavuz çubuğu kapağını takın.
- Taşınacağı zaman insanların yaralanmasını veya ürünün zarar görmesini önlemek amacıyla ürünü hareket etmemesi veya düşmemesi için sabitleyin.

BAKIM

Her zaman ürünü iyi ve çalışır durumda tutun.

⚠ UYARI

Sadece orijinal üreticinin yedek parçalarını, aksesuarlarını ve ek parçalarını kullanın. Aksi hâlde olası yaralanmalara, zayıf performansa neden olabilir ve garantinizi geçersiz kılabilir.

⚠ UYARI

Servis çalışması en yüksek düzeyde dikkat ve bilgi gerektirir ve sadece nitelikli bir servis teknisyeni tarafından yapılmalıdır. Ürünün servis işlemlerini sadece yetkili bir servis merkezinde yaptırın. Servis yapılırken sadece aynı yedek parçaları kullanın.

⚠ UYARI

Ayar, bakım ya da temizlik işleminden önce güç kaynağı bağlantısını kesin. Aksi hâlde olası ciddi fiziksel yaralanmaya neden olabilir.

- Sadece bu kılavuzda açıklandığı şekilde ayar veya onarım yapabilirsiniz. Ürün üzerinde yapılacak diğer onarımları sadece yetkili bir servis merkezinde yaptırın.
- Uygunsuz bakım ve zincir freni, el muhafazası (ön ve arka), çivili tampon, zincir tutucu, kılavuz çubuğu, düşük geri tepmeli testere zinciri gibi güvenlik donanımının çıkarılması ya da değiştirilmesi güvenlik donanımının gereken işlevi yerine getirmemesine neden olabilir, böylelikle ciddi yaralanma ihtimalini artırır. Ürünü profesyonel bakımlı ve güvenli muhafaza edin.
- Zincirin güvenli şekilde bilenmesi beceri gerektiren bir görevdir. Üretici bu amaçla aşınmış ya da körelmiş bir zincirin yetkili servis merkezinde bulacağınız bir yenisiyle değiştirilmesini kuvvetle tavsiye eder. Parça numarası bu kılavuzda ürün teknik özellikleri tablosunda mevcuttur.
- Yağlama ve zincir gerginliği kontrol ve ayar talimatlarına uyun.
- Her kullanım sonrası ürünü yumuşak ve kuru bir bezle temizleyin.
- Ürünün güvenli çalışma durumunda olduğundan emin olmak için tüm somunların, civataların ve vidaların doğru sıklıkta sık aralıklarla takıldığını kontrol edin. Hasarlı her tür parça yetkili servis merkezi tarafından uygun şekilde onarılmalı veya değiştirilmelidir.

ARTIK RİSKLER

Ürün belirtilen şekilde kullanıldığında bile belirli artık risk faktörlerini tamamen ortadan kaldırmak mümkün değildir. Kullanım sırasında aşağıdaki tehlikeler ortaya çıkabilir ve kullanıcının aşağıdaki durumları önlemek için özellikle dikkatli olması gerekir:

- Titreşim nedeniyle yaralanma.
 - İş için her zaman doğru aleti kullanın. Belirlenmiş tutamakları kullanın. Çalışma ve maruz kalma süresini sınırlayın.
- Gürültüye maruz kalmak işleme sorunlarına neden olabilir.
 - İşleme koruması kullanın ve maruz kalma süresini kısıtlayın.
- Zincirin ağırlıklı testere dişleriyle temas (kesik tehlikeleri).
- Kılavuz gövdenin tahmin edilemez, ani şekilde hareket etmesi veya geri tepesi (kesik tehlikeleri).

- Testere zincirinden fırlayan parçalar (kesik/püskürme tehlikeleri).
- Fırlayan iş parçaları (talaş, kıymık)
- Bıçkı tozunun ve parçacıkların solunması.
- Cildin yağla teması.

RİSK AZALTMA

El aletlerinden kaynaklanan titreşimlerin belirli kişilerde Raynaud Sendromu adı verilen bir durumu etkilediği bildirilmiştir. Semptomlar içerisinde parmaklarda genellikle soğuğa maruz kaldığında açığa çıkan karıncalanma, hissizlik ve ağarma yer bulunabilir. Kalıtsal faktörler, soğuğa ve neme maruz kalma, diyet, sigara içme ve çalışma uygulamalarının hepsinin bu semptomların gelişimini etkilediği düşünülmektedir. Titreşim etkilerini azaltmak için kullanıcı tarafından alınabilecek önlemler vardır:

- Soğuk havada vücut ısınızı koruyun. Üniteyi kullanırken ellerinizi ve bileklerinizi sıcak tutmak için eldiven giyin. Soğuk havanın Raynaud Sendromu'nu etkileyen önemli bir faktör olduğu bildirilmiştir.
- Her kullanım süresinden sonra kan dolaşımını artırmak için egzersiz yapın.
- Sık çalışma molası verin. Günlük maruz kalma miktarını sınırlayın.
- Profesyonel motorlu testere perakendecilerin temin edilebilecek koruyucu eldivenler özel olarak motorlu testere kullanımı için tasarlanmış olup koruma ve yeterli kavrama sağlar ve tutamak titreşiminin etkilerini azaltır.

Eğer bu durumla ilgili herhangi bir semptom görürseniz çalışmayı derhal bırakın ve doktorunuza başvurun.

⚠ UYARI

Ürünün uzun süre kullanılması nedeniyle yaralanmalar meydana gelebilir veya kötüleşebilir. Herhangi bir alet uzun süre kullanıldığında düzenli molalar verdiğinizden emin olun.

ÜRÜNÜNÜZÜ TANIYIN

Bkz. sayfa 267.

1. Zincir
2. Kılavuz demir
3. Ön el korkuluğu/Zincir freni
4. Ön kulp
5. Tetik serbest bırakma düğmesi
6. Arka kulp
7. Çivili tampon
8. Zincir yağ kapağı
9. Kablo tutucu
10. Düşme tetik
11. Zincir dişli kapağı
12. Zincir gerginliği / Kılavuz çubuğu kilit düğmesi
13. Kılavuz çubuğu kapağı
14. Zincir tutucu

GÜVENLİK CİHAZLARI

Düşük geri tepmeli testere zinciri

Düşük geri tepmeli bir testere zinciri geri tepme olasılığını azaltır.

Her bıçağın önündeki tırnaklar (derinlik masterları), kesicilerin fazla derine girmesini önleyerek geri tepme gücünün azaltılmasını sağlayabilir. Sadece üretici tarafından tavsiye edilen yedek kılavuz çubuğu ve zincir takımlarını kullanın.

Testere zincirleri bilindikçe düşük geri tepme özelliklerinden bir kısmını yitirdikleri için özel dikkat gerekir. Güvenliğiniz için, kesme performansı gerelediğinde testere zincirinizi değiştirin.

Çivili tampon

Kesme işlemi sırasında, tampon çivisi eksen olarak kullanılabilir. Böylelikle kesim sırasında motorlu testere gövdesinin sabit tutulması sağlanır. Kesim sırasında, çiviler ağacın kenarına batana kadar makineyi itin; daha sonra arka tutamağı kesim çizgisi yönünde yukarı ya da aşağı hareket ettirmek kesme işleminin bedensel ağırlığını azaltır.

Kılavuz çubukları

Küçük çaplı uçlara sahip kılavuz çubukları genellikle biraz daha düşük geri tepme potansiyeline sahiptir. İş yapmak için yeterli uzunluğa sahip bir kılavuz çubuğu ve uygun zincir kullanmanız gerekir. Daha uzun çubuklar kesim sırasında kontrol kaybı riskini yükseltir. Zincir gergisini düzenli olarak kontrol edin. Daha küçük (kılavuz çubuğunun tam boyundan kısa) dallar keserken, doğru gerilmemiş zincirin yerinden çıkma olasılığı yüksektir.

Zincir freni

Zincir frenleri dönen zinciri hızla durdurmak için kullanılır. Zincir freninin kolu/el korkuluğu çubuğa doğru itildiği zaman, zincirin derhal durması gerekir. Zincir freni geri tepmeyi önlemez. Sadece geri tepme sırasında zincir çubuğunun operatörün vücuduna değmesi halinde yaralanma riskini düşürür. Her kullanımdan önce, zincir freninin hem fren, hem de çalışma konumunda doğru işlev görüp görmediği kontrol edilmelidir.

Zincir tutucu

Zincir yakalayıcı, zincirin gevşemesi ya da kırılması durumunda kullanıcıya doğru fırlamasını engeller.

MONTAJ

⚠ UYARI

Herhangi bir parça eksik ya da hasarlıysa o parçaları değiştirmeden ürünü çalıştırmayın. Bu uyarıya dikkat etmemek ciddi yaralanma ile sonuçlanabilir.

TESTERE ZİNCİRİ VE KILAVUZ ÇUBUĞUNUN MONTAJI

(bkz. sayfa 268 - 269)

1. Ana priz bağlantısını kesin. Koruyucu eldiven kullanın
2. Kılavuz çubuğu kilit düğmesinin vidasını gevşetin ve dişli kapağını çıkarın.

3. Testere zinciri zincir dönüş yönüne bakıyor olmalıdır. Geriye bakıyorsa, halkayı ters çevirin.
4. Zincir tahrik bağlantılarını çubuk oluşuna yerleştirin.
5. Zinciri, çubuğun arkasında bir halka bulunacak şekilde yerleştirin.
6. Zinciri çubuk üzerinde tutun ve halkayı tahrik dişlisinin üzerine yerleştirin. Çubuğu indirerek, somunun bağlı zincir gergi düzeneğindeki delikten geçmesini sağlayın.
7. Dişli kapağını çıkarın ve ardından zincir gergisi/kılavuz çubuğu kilit düğmesini kilit yerine oturana dek saat yönünde çevirin. Zincir gerginliğini sık sık kontrol edin. Zincirdeki bıçakla çubuk arasındaki mesafe 3 veya 4 mm olduğunda, zincir gergisi uygun demektir. Çubuğun alt kısmının ortasındaki zinciri aşağıya (çubuktan uzağa) doğru çekin ve çubukla zincir bıçakları arasındaki mesafeyi ölçün.
8. Saat yönüne çevirerek zincir gergisi/kılavuz çubuğu kilit düğmesini sıkın ve kilitleyin.

ZİNCİR GERGİSİNİN AYARLANMASI

Bkz. sayfa 279.

1. Ürünü güç kaynağından ayırın. Korumacı eldiven kullanın
2. Zincir gergisini düzeltmek için, zincir gergisi/kılavuz çubuğu kilit düğmesini tamamen gevşetin ve ardından kilit yerine oturana dek saat yönünde çevirin. Zincir gerginliğini sık sık kontrol edin. Zincirdeki bıçakla çubuk arasındaki mesafe 3 veya 4 mm olduğunda, zincir gergisi uygun demektir. Çubuğun alt kısmının ortasındaki zinciri aşağıya (çubuktan uzağa) doğru çekin ve çubukla zincir bıçakları arasındaki mesafeyi ölçün.
3. Saat yönüne çevirerek zincir gergisi/kılavuz çubuğu kilit düğmesini sıkın ve kilitleyin.

NOT: Çubuk ve zincir gergi tertibatının pislik olmadan rahatça hareket ettiğinden ve testere zincirinin dişliye doğru sarıldığından emin olun. Zincir gergi/kılavuz çubuk kilit düğmesini kilitledikten sonra zincir çok gergin ya da çok gevşekse, kılavuz çubuğu ve zincir gergi tertibatının temiz ve doğru takılı olup olmadığını kontrol edin.

Gerekirse, temizlik için dişli kapağını ve kılavuz çubuğu çıkarın sonra parçaları yeniden toplayın.

KULLANIM

ZİNCİR YAĞLAMA YAĞI EKLEMEK

Bkz. sayfa 269.

UYARI

Asla zincir yağı olmadan çalışmayın. Zincirin yağsız çalışması, kılavuz çubuğunun ve zincirin hasar görmesine neden olabilir. Yağ seviye göstergesinden yağ miktarını sık sık kontrol edin ve motorlu testereyi kullanmadan önce her sefer yağ miktarına bakın.

1. Kirlenmeyi önlemek için yağ kapağının çevresindeki yüzeyi temizleyin.
2. Yağ haznesinin kapağını çevirerek çıkarın.
3. Yağ haznesine yağ doldururken yağ seviye göstergesini izleyin. Dolum sırasında hazneye pislik girmemesini

sağlayın.

4. Hazne kapağını yerine takıp sıkıştırın. Her türlü döküntüyü silerek gidirin.
5. Bir dolu hazne testereyi 12 - 18 dakika kullanmanızı sağlar.

MOTORLU TESTERENİN TUTULMASI

Bkz. sayfa 269.

Motorlu testereyi tutarken, her zaman sağ elinizin arka, sol elinizin de ön tutamakta olması gerekir. Parmaklarınızı tutamaklarına dolayarak motorlu testereyi sıkıca kavrayın. Sol eliniz ön tutamağı kavarken, başparmağınızın altta bulunduğundan emin olun.

UYARI

Güç kablosunu her zaman toplu ve kesme alanından uzakta tutun. Elektrik çarpması tehlikesine ek olarak dağınık kablolar takılmanıza ve düşmenize neden olur.

MOTORLU TESTEREYİ ÇALIŞTIRMAK

Bkz. sayfa 269.

1. Ürünü prize bağlayın. Kol/el muhafazasını geriye çekerek zincir freninin çalışma konumunda olduğundan emin olun.
2. Ürünü çalıştırmak için: Tetik bırakma koluna basın ve ardından açma/kapama tetiğine basın

MOTORLU TESTERENİN KONTROLÜ VE İŞLETİLMESİ

1. Sol elinizi ön tutamak üzerinde çevirerek zincir frenini devreye alın. Zincir hızla dönerken, elinizle zincir freni kolu/el korkuluğunu çubuğa doğru itin. Zincirin dönmemesini derhal durması gerekir. Asla ellerinizi testere tutamaklarından ayırmayın.
2. Zincir freni kolunu / el korkuluğunu üst kısımdan kavrayıp bir klik sesi duyana kadar ön tutamağı doğru çekerek zincir frenini Çalışma konumuna getirin.

UYARI

Zincir freni zinciri derhal durdurmazsa ya da zincir freni yardım olmadan çalışma konumunda kalmazsa, kullanmadan önce ürünü yetkili bir servis merkezine götürün.

TESTERE ZİNCİRİ VE KILAVUZ ÇUBUĞUNUN DEĞİŞTİRİLMESİ

(bkz. sayfa 277 - 278)

1. Ürünü güç kaynağından ayırın. Korumacı eldiven kullanın
2. Dişli kapağı gevşeyene kadar zincir gergisi/kılavuz çubuğu kilit düğmesini saat yönünün aksine çevirerek kilidini açın.
3. Dişli kapağını çıkarın. Çubuk ve zinciri üründen sökün.
4. Kılavuz çizgisini zincir gergi tertibatına tutan vidayı çıkarın. Kullanılan çubuk ile testere zincirini uygun şekilde atın.
5. Zincir gerginlik tertibatını yeni çubuğa takın ve vidayı sıkın. Yeni zinciri çubuğa doğru yönde yerleştirin ve tahrik bağlantılarının çubuk oluşunda hizalandığından emin olun.

6. Çubuğu motorlu testereye takın ve zinciri tahrik dişlisine sarın.

Dişli kapağını yerine takın.

7. Saat yönüne çevirerek zincir gergisi/kılavuz çubuğu kilit düğmesini sıkın ve kilitleyin.

Zincirdeki bıçakla çubuk arasındaki mesafe 3 veya 4 mm olduğunda, zincir gergisi uygun demektir. Çubuğun alt kısmının ortasındaki zinciri aşağıya (çubuktan uzağa) doğru çekin ve çubukla zincir bıçakları arasındaki mesafeyi ölçün.

Zincir gergisini ayarlayın. "Zincir gergisinin ayarlanması" bölümüne bakın.

⚠ UYARI

Zincirin doğru bilenmemesi geri tepme olasılığını artırır.

⚠ UYARI

Hasarlı zincirin onarılmaması veya değiştirilmemesi ciddi yaralanmalara neden olabilir.

⚠ UYARI

Testere zinciri çok keskindir. Zincirin bakımını yaparken her zaman koruyucu eldiven kullanın.

ZİNCİR FRENİNİN KONTROLÜ VE TEMİZLENMESİ

Bkz. sayfa 280.

- Bağlantılardaki pislikleri hafifçe fırçalayarak zincir fren mekanizmasının her an temiz olmasını sağlayın.
- Her temizlikten sonra zincir freni performansını mutlaka kontrol edin. Daha fazla bilgi için bu el kitabındaki "Operasyon - Zincir Freninin Kontrolü ve Çalıştırılması" bölümüne bakın.

BAKIM PLANI

| Günlük kontrol | |
|-----------------------|-------------------------------------|
| Hasarlı güç kablosu | Her kullanım öncesi |
| Gövde yağı | Her kullanım öncesi |
| Zincir gerginliği | Her kullanım öncesi ve sık sık |
| Zincir keskinliği | Her kullanım öncesi, görsel kontrol |
| Hasarlı parçalar | Her kullanım öncesi |
| Gevşek sabitleyiciler | Her kullanım öncesi |
| Zincir freni işlevi | Her kullanım öncesi |
| Her kullanımdan sonra | |
| Gövde | Her kullanım öncesi |
| Testerenin tamamı | Her kullanımdan sonra |
| Zincir freni | Her 5 saatte bir* |

*Çalışma saati

ÜRÜN ÜZERİNDEKİ SEMBOLLER



Güvenlik ikazı



Yaralanma riskini azaltmak için kullanıcı ürünü kullanmadan önce kullanıcı kılavuzunu okuyup anlamalıdır.



Kulak tıkacı, gözlük ve kask takın.



Ürünü kullanırken kaymaz güvenlik ayakkabısı giyin.



Kaymaz, ağır iş eldiveni giyin.



Bakım çalışmasından önce veya kablo hasar görmüşse veya kesilmişse fişi şebeke gücünden derhal ayırın.



Testere geri tepmesine dikkat edin ve çubuk ucuna dokunmaktan kaçının.



Ürünü yağmura veya nemli koşullara maruz bırakmayın.



Testereyi iki elle gerektiği gibi tutup kullanın.



Testereyi sadece tek elle kullanmayın.



Ürünün satın alındığı AB ülkesindeki tüm düzenleyici standartlara uygundur.



EurAsian Uygunluk İşareti



Sınıf II alet, çift yalıtımlı



Ukrayna uygunluk işareti.



Atık elektrikli ürünler evsel atıklarla birlikte atılmamalıdır. Lütfen tesislerin mevcut olduğu yerlerde geri dönüştürün. Geri dönüşüm tavsiyesi için bölgenizdeki yetkili merciyeye veya satıcıya başvurun.



Güvenceli ses gücü seviyesi 104 dB'dir. (RCS1935B)



Güvenceli ses gücü seviyesi 105 dB'dir. (RCS2340B)



Çubuk ve zincir yağı



Zincir freni

Kılavuz çizgisini kilitlemek ve kilidini açmak için çevirin



Kilit



Kilidi açın



Zincir hareket yönü (Zincir dişli kapağının altına işaretlenmiştir)

BU KILAVUZDAKİ SEMBOLLER



Elektrik fişine bağlayın.



Elektrik fişinden ayırın.



Ayrı satılan parçalar veya aksesuarlar



Not



Uyari



Gözlük ve yüz maskesi takın.



Üst beden koruması kullanın.



Bacak koruması kullanın.



Ürünü durdurun.

Aşağıdaki işaret sözcükler ve anlamları bu ürünle ilişkili risk seviyelerinin açıklanmasına yöneliktir.

⚠ TEHLİKE

Önlenmemesi durumunda ölüm veya ciddi yaralanma ile sonuçlanacak ciddi tehlike içeren bir durumu gösterir.

⚠ UYARI

Önlenmemesi durumunda ölüm veya ciddi yaralanma

ile sonuçlanabilecek potansiyel olarak tehlikeli bir durumu gösterir.

⚠ İKAZ

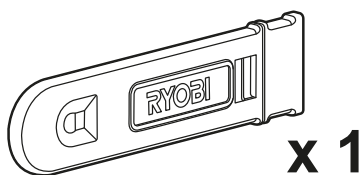
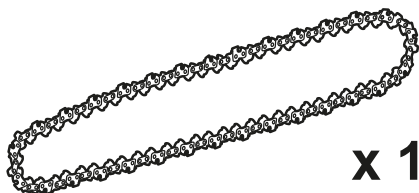
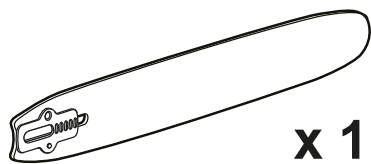
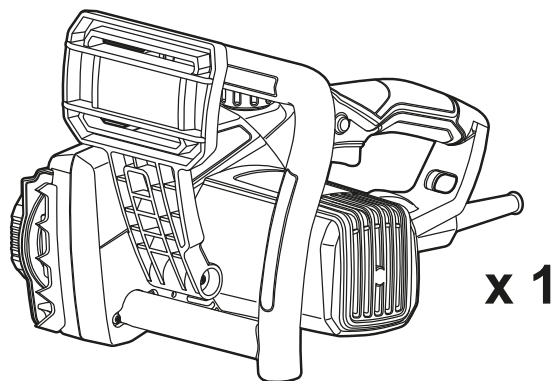
Önlenmemesi durumunda önemsiz veya orta derece yaralanma ile sonuçlanabilecek potansiyel olarak tehlikeli bir durumu gösterir.

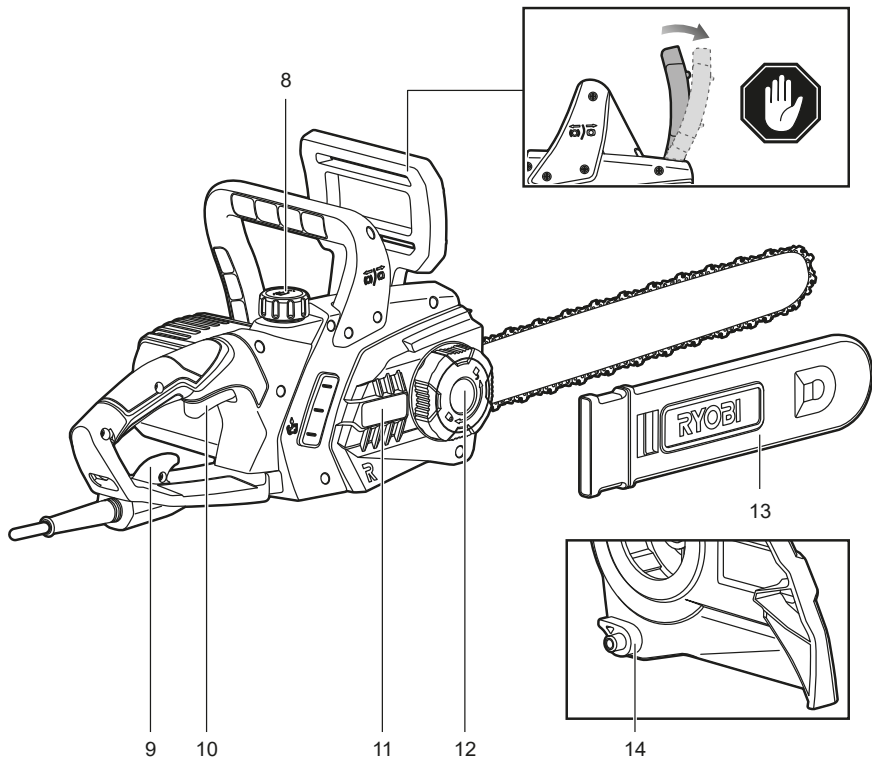
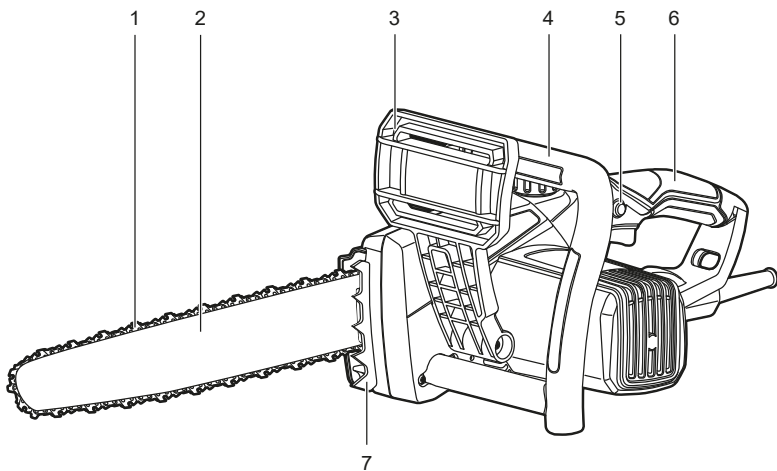
İKAZ

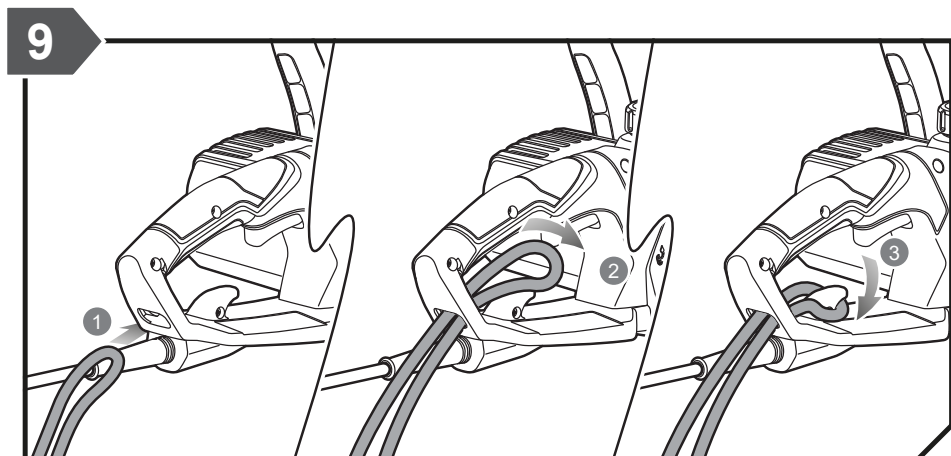
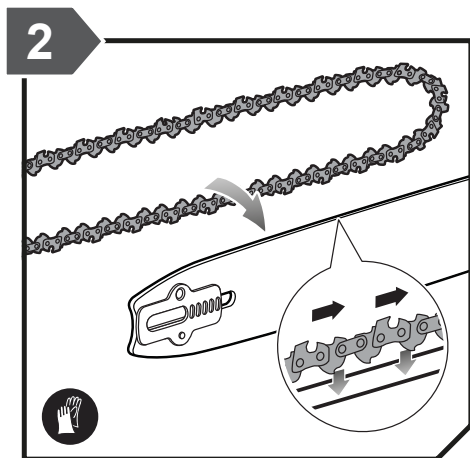
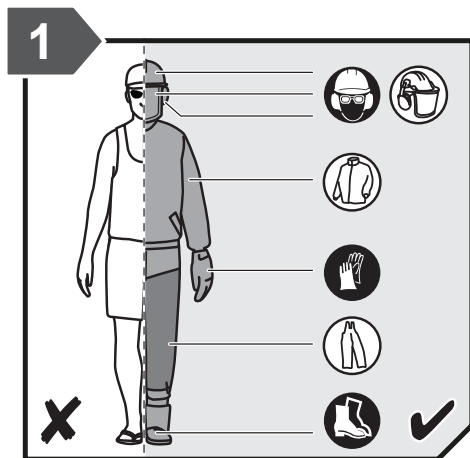
Güvenlik uyarısı sembolü olmadığında

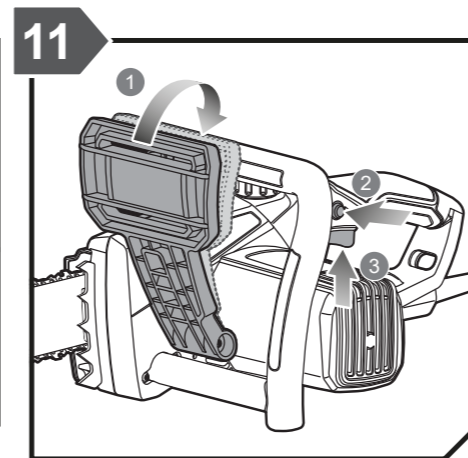
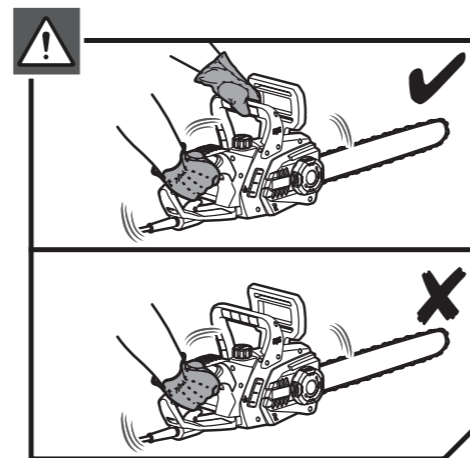
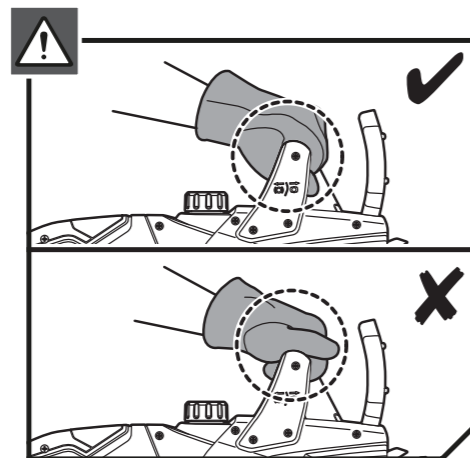
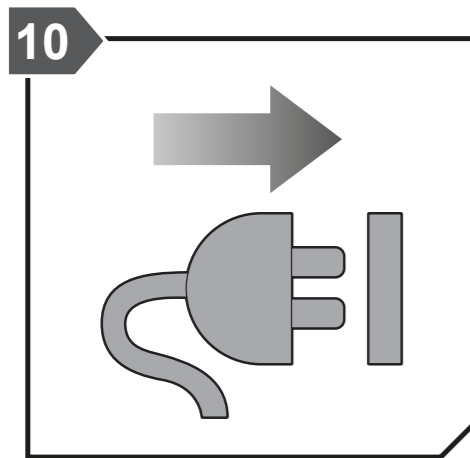
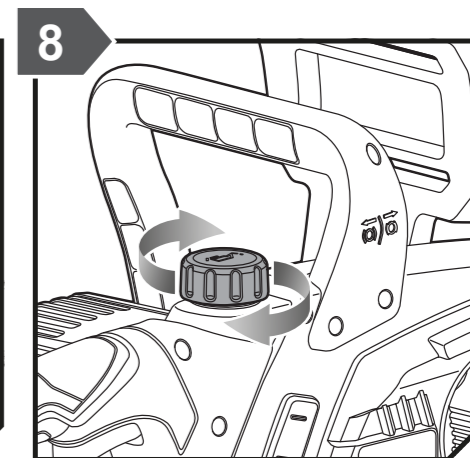
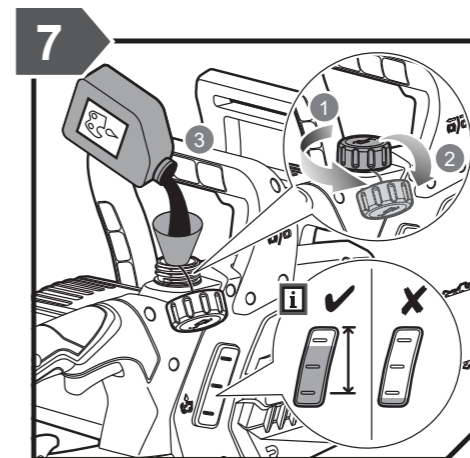
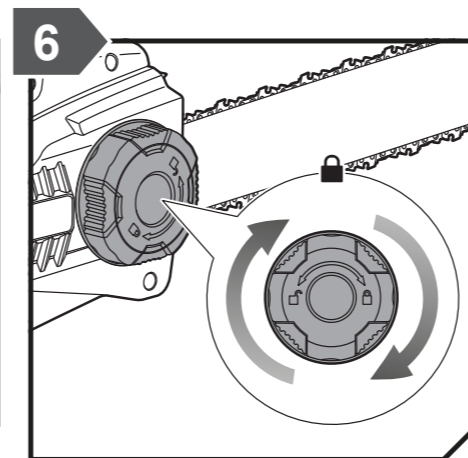
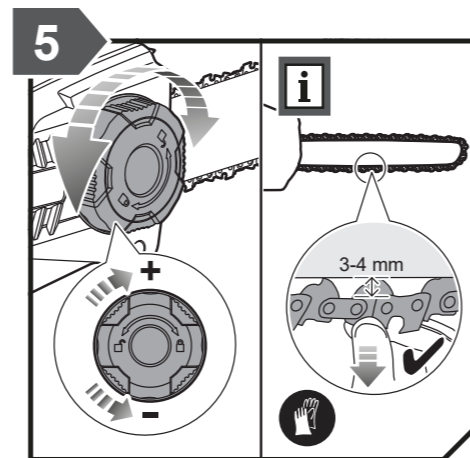
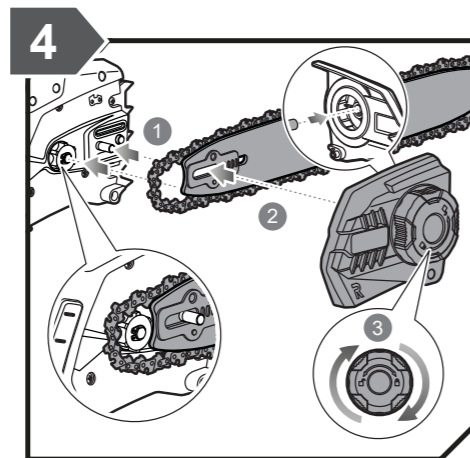
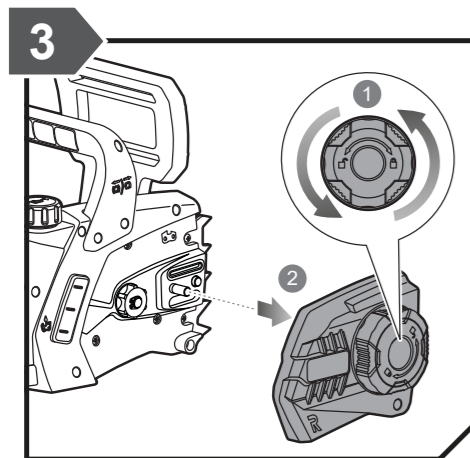
Maddi hasarla sonuçlanabilecek bir durumu gösterir.

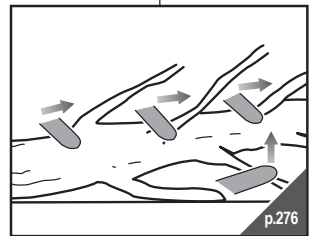
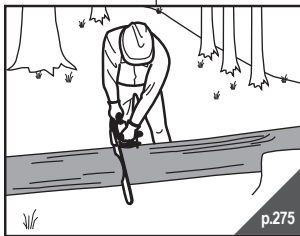
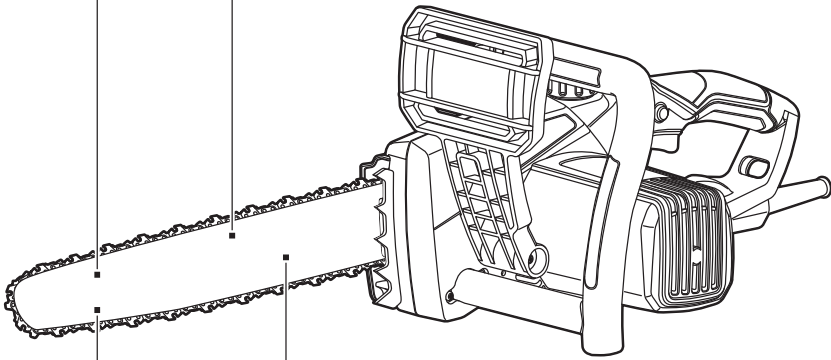
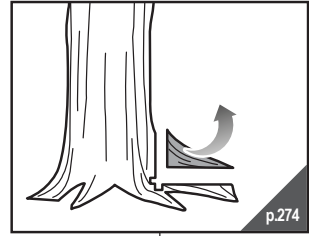
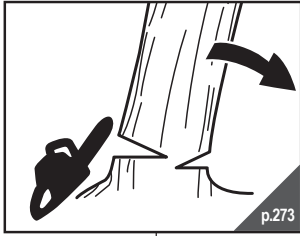
EN
FR
DE
ES
IT
NL
PT
DA
SV
FI
NO
RU
PL
CS
HU
RO
LV
LT
ET
HR
SL
SK
BG
UK
TR

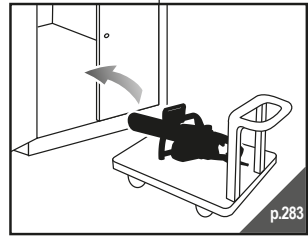
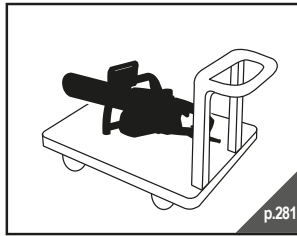
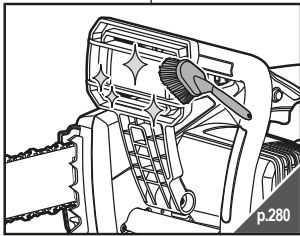
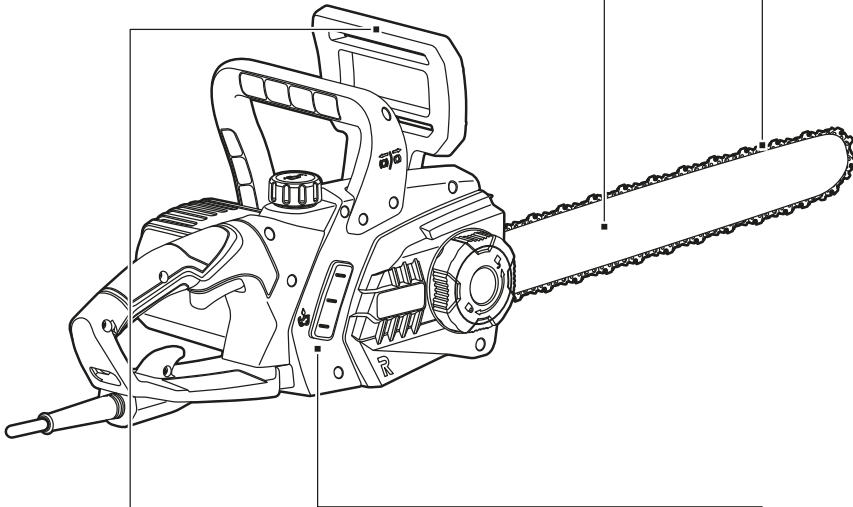
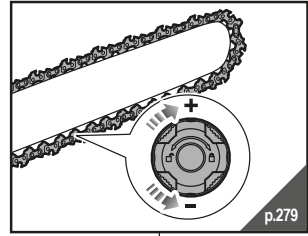
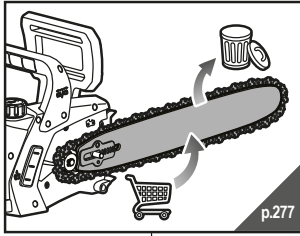


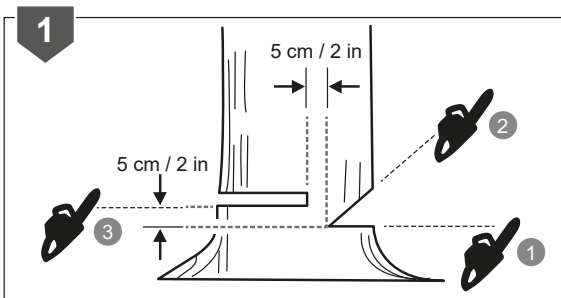
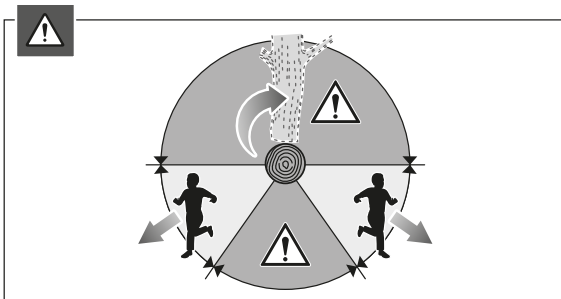
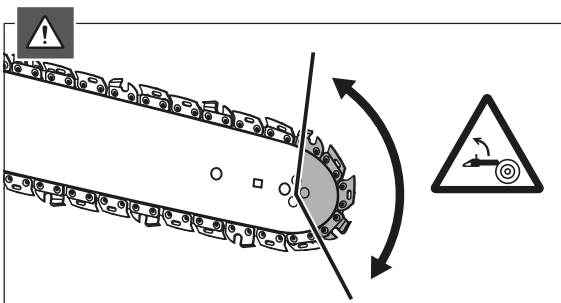
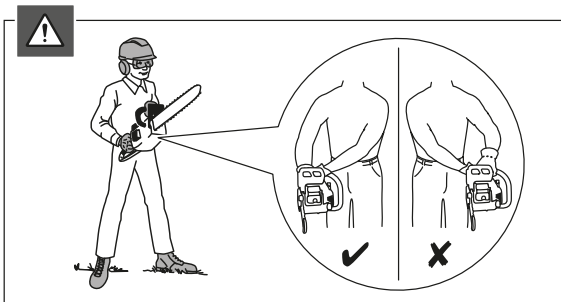
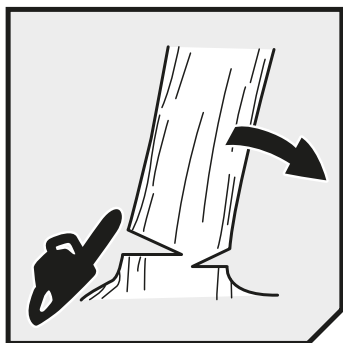


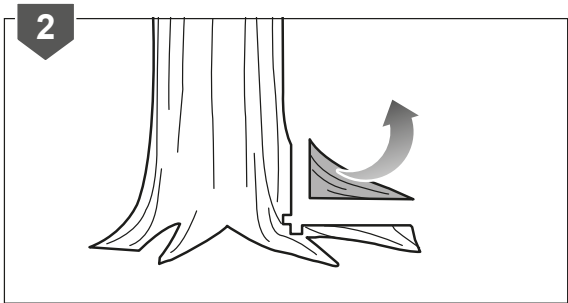
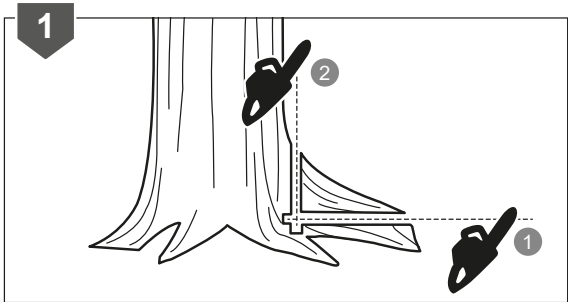
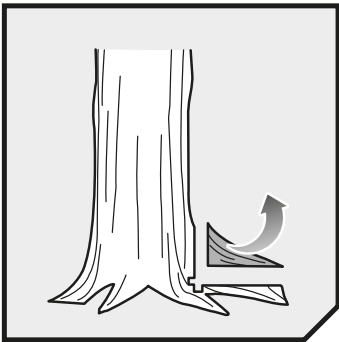
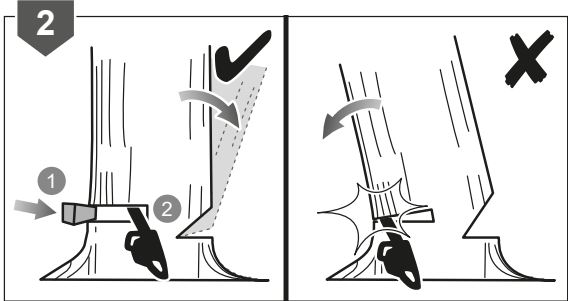
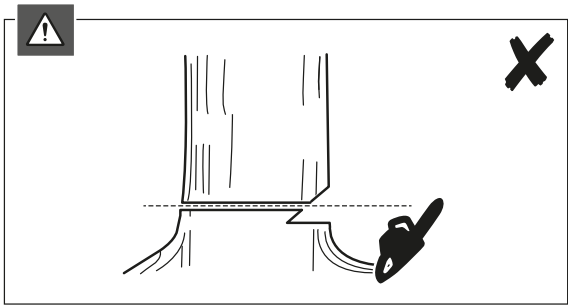


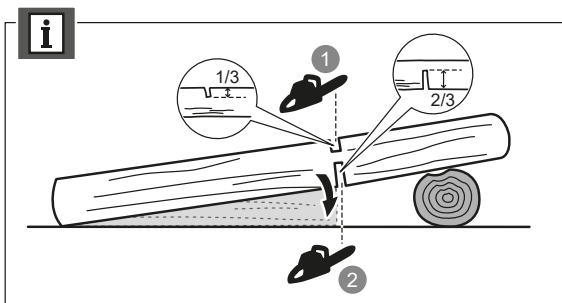
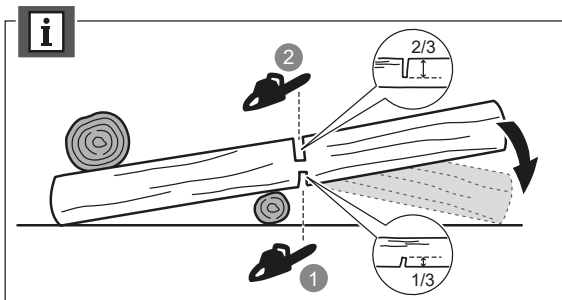
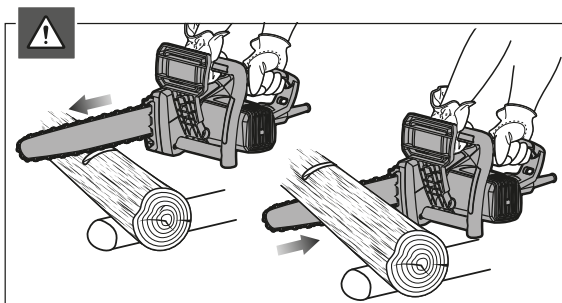
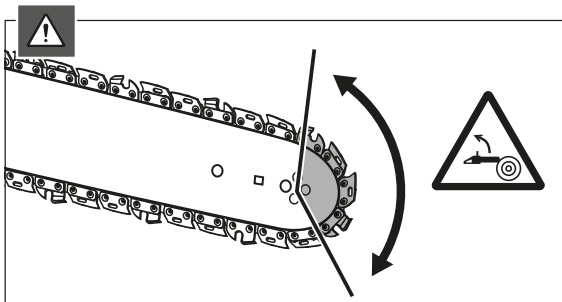
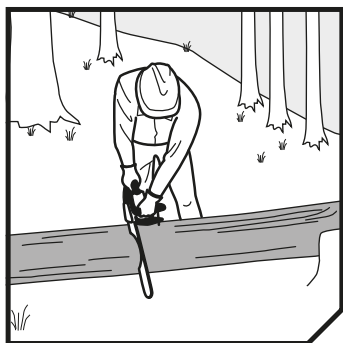


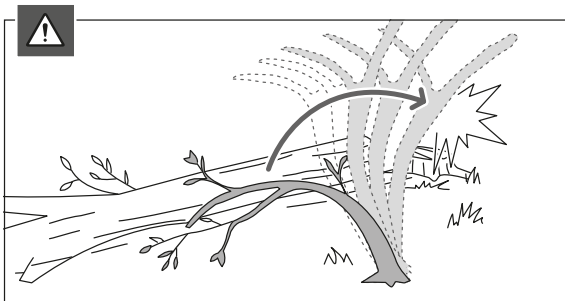
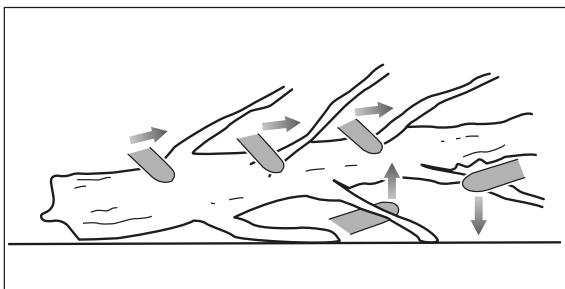
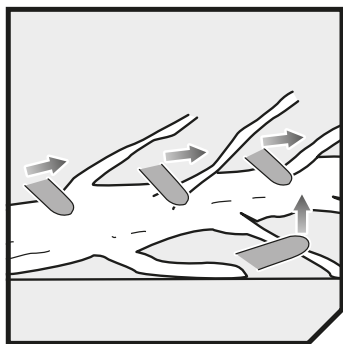


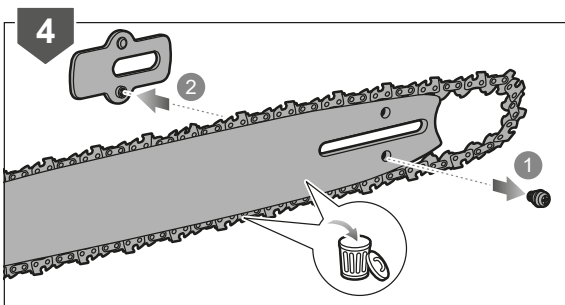
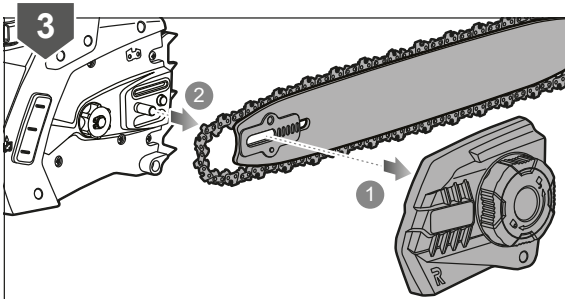
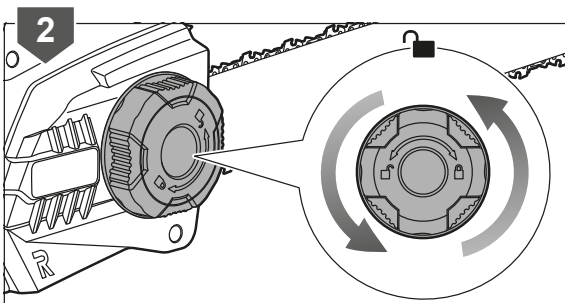
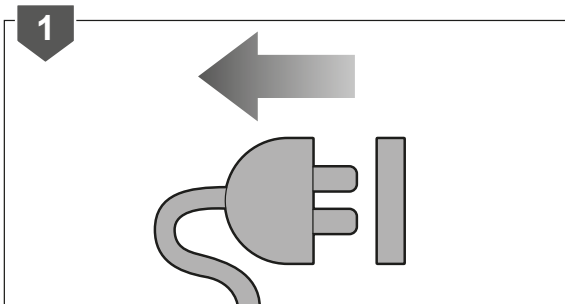
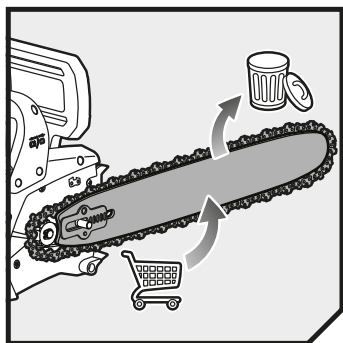


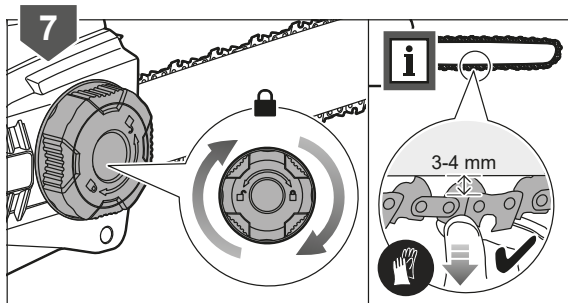
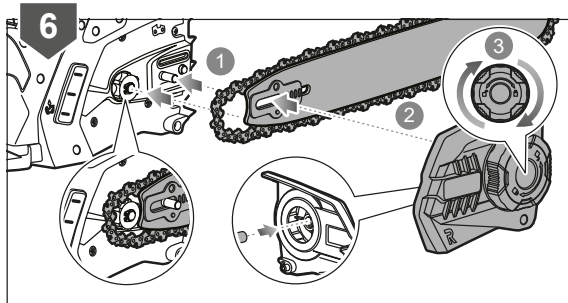
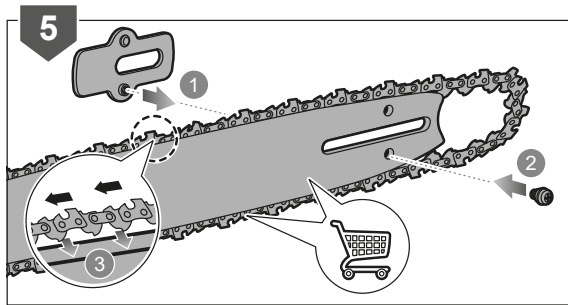


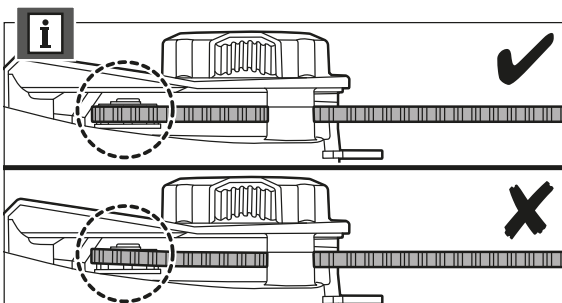
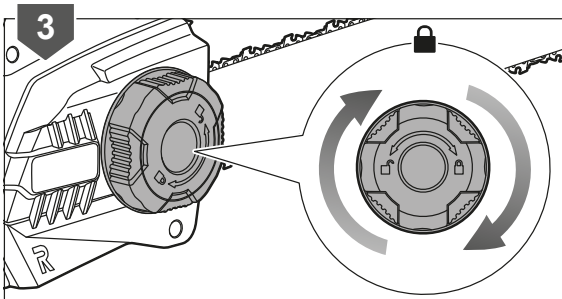
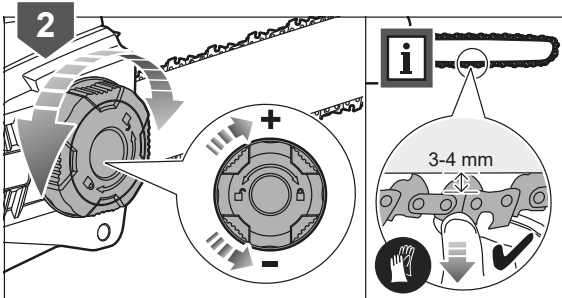
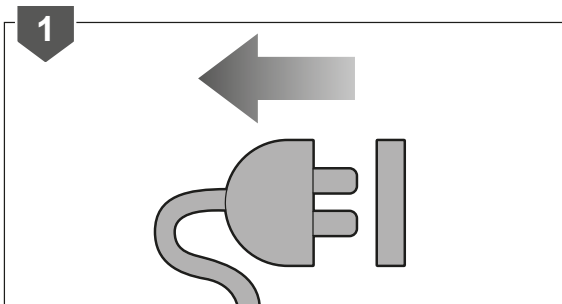
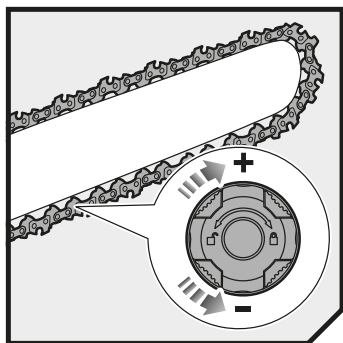


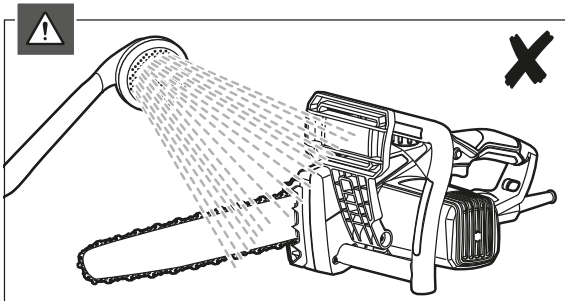
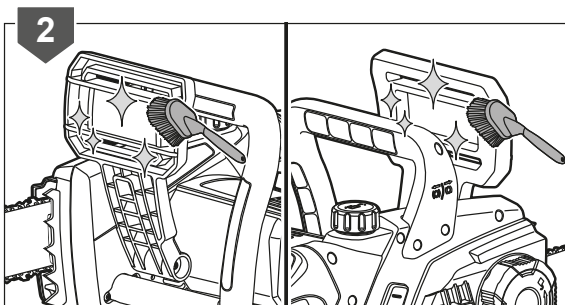
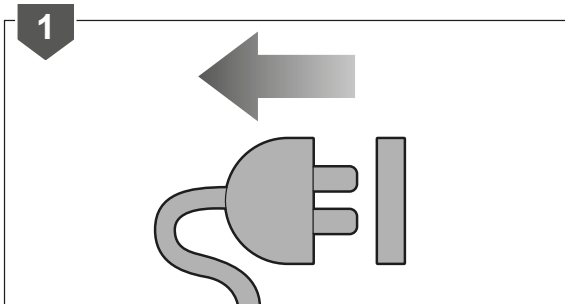
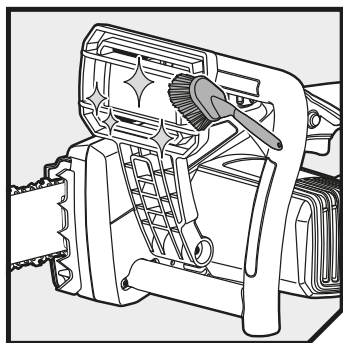


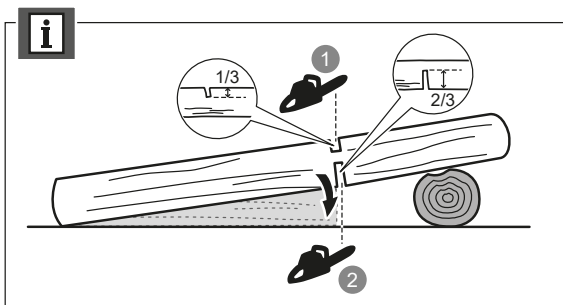
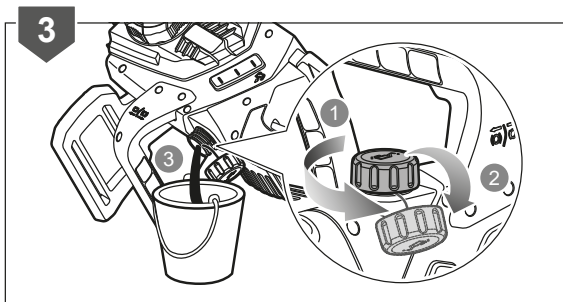
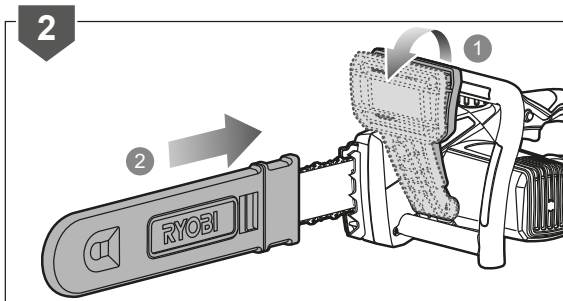
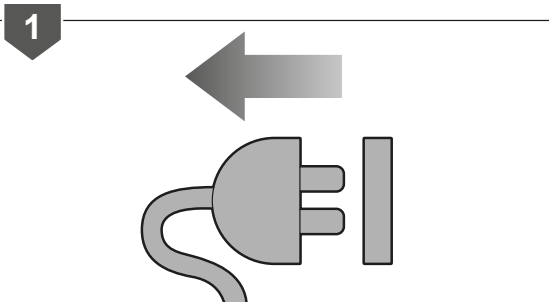
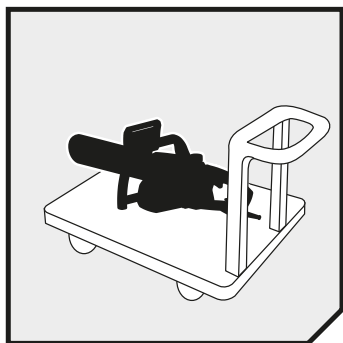


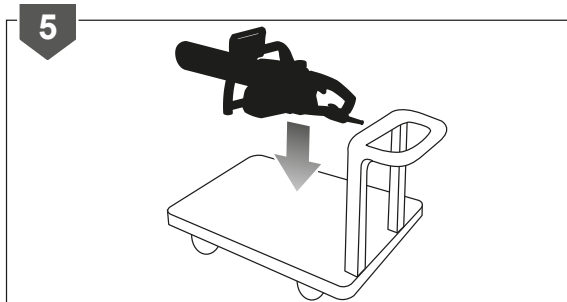


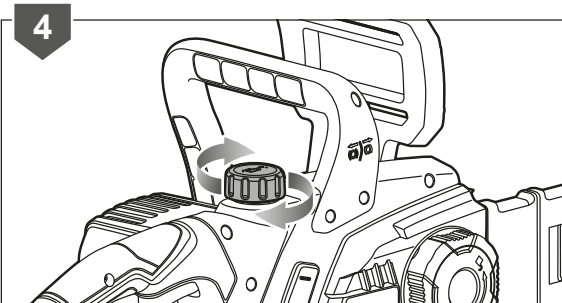
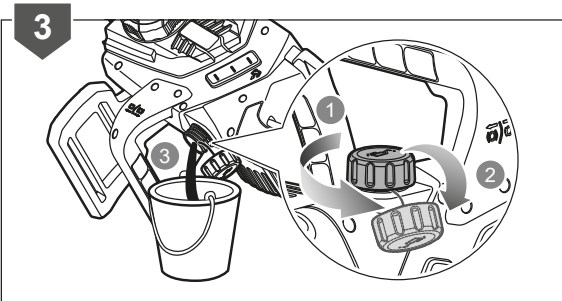
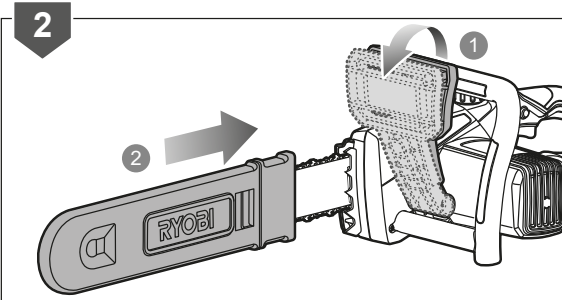
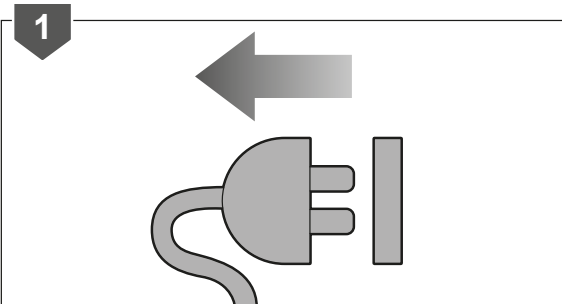
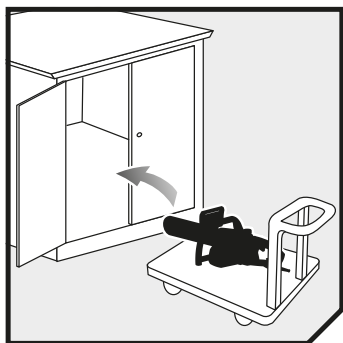




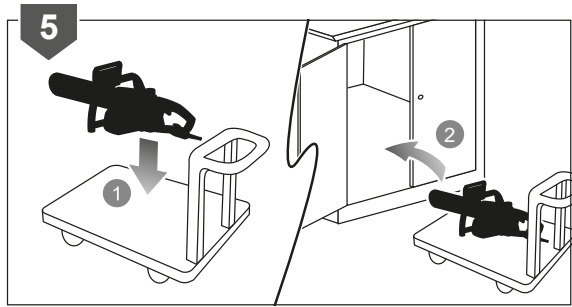








20150602v1





| English | Français | Deutsch | Español | Italiano |
|--|--|---|--|---|
| Product specifications | Caractéristiques produit | Produkt-Spezifikationen | Características del producto | Caratteristiche del prodotto |
| Model | Modèle | Modell | Modelo | Modello |
| Rated power | Puissance nominale | Nennleistung | Potencia nominal | Potenza nominale |
| Rated voltage | Tension nominale | Nennspannung | Tensión nominal | Voltaggio nominale |
| Guide bar length | Longueur du guide-chaîne | Länge der Führungsschiene | Longitud de la barra guía | Lunghezza barra di guida |
| Usable cutting length | Longueur de coupe utile | Anwendbare Schnittlänge | Largo de corte | Lunghezza di taglio disponibile |
| Chain brake stop | Arrêt du frein de chaîne | Kettenbremsanschlag | Tope del freno de cadena | Arresto del freno della catena |
| Chain oil tank capacity | Contenance du réservoir d'huile de chaîne | Kettenöltankkapazität | Capacidad del depósito de aceite de la cadena | Capacità serbatoio olio catena |
| Weight (with guide bar, chain and empty tank) | Poids (avec chaîne, guide-chaîne et réservoir vide) | Gewicht (mit Schwert, Kette und leerem Tank) | Peso (con barra guía, cadena y depósito vacío) | Peso (con barra di guida, catena e serbatoio vuoto) |
| Vibration level | Niveau de vibration | Vibrationsgrad | Nivel de vibración | Livello di vibrazioni |
| Front handle | Poignée avant | Vorderer Haltegriff | Mango delantero | Manico anteriore |
| Rear handle | Poignée arrière | Hinterer Haltegriff | Mango trasero | Manico posteriore |
| Uncertainty of measurement | Incertitude de la mesure | Unsicherheit der Messung | Incertidumbre de medición | Incertezza delle misurazioni |
| Noise emission level (in accordance with EN 60745-1 and EN 60745-2-13) | Niveau d'émission sonore (selon EN 60745-1; EN 60745-2-13) | Schallenergiepegel (gemäß EN 60745-1; EN 60745-2-13) | Nivel de emisión de ruido (de acuerdo con EN 60745-1; EN 60745-2-13) | Livello di emissione rumore (in accordo con la direttiva EN 60745-1; EN 60745-2-13) |
| A-weighted sound pressure level at operator's position | Niveau de pression sonore pondéré-A au niveau de l'opérateur | A-bewerteter Schalldruckpegel an der Position des Anwenders | Nivel de presión sonora ponderado A en la posición del operario | Livello di pressione sonora ponderata A alla posizione dell'operatore |
| Uncertainty of measurement | Incertitude de la mesure | Unsicherheit der Messung | Incertidumbre de medición | Incertezza delle misurazioni |
| A-weighted sound power level | Niveau de puissance sonore pondéré-A | A-bewerteter Schalleistungspegel | Nivel de potencia acústica ponderada en A | Livello di potenza sonora pesato A |
| Uncertainty of measurement | Incertitude de la mesure | Unsicherheit der Messung | Incertidumbre de medición | Incertezza delle misurazioni |

| Replacement Part (Bar and Chain) | Pièces de Rechange (Guide-chaîne et chaîne) | Ersatzteile (Schiene und Kette) | Piezas de repuesto (Barra y cadena) | Parti di ricambio (Barra e catena) |
|----------------------------------|---|---------------------------------|-------------------------------------|------------------------------------|
| Model | Modèle | Modell | Modelo | Modello |
| Manufacturer | Fabricant: | Hersteller | Fabricante | Ditta produttrice |
| Chain | Chaîne coupante | Kette | Cadena | Catena |
| Bar | Guide-chaîne | Führungsschiene | Barra | Barra |

| Nederlands | Português | Dansk | | |
|---|---|--|----------------------|----------------------|
| Productgegevens | Características do aparelho | Produktspecifikationer | | |
| Model | Modelo | Model | RCS1935B | RCS2340B |
| Nominaal vermogen | Potência nominal | Mærkeeffekt | 1900W | 2300W |
| Toegekende spanning | Tensão nominal | Mærkespænding | 230-240V ~50Hz | |
| Zwaardlengte | Comprimento da lâmina-guia | Sværdets længde | 356 mm (14") | 406 mm (16") |
| Bruikbare zaaglengte | Comprimento de corte útil | Anvendelig skærer længde | 340 mm (13") | 380 mm (15") |
| Kettingrem stopzeten | Travão da correia | Kædebremsestop | <0,12 s | |
| Kettingolietankcapaciteit | Capacidade do depósito do óleo da corrente | Kædeolietank-kapacitet | 150 ml | |
| Gewicht (met zwaard, ketting en lege tank) | Peso (com barra guia, corrente e depósito vazio) | Vægt (med sværd, kæde og tom tank) | 4,7 kg | 4,8 kg |
| Trillingsniveau | Nível de vibração | Vibrationsniveau | | |
| Voorste handvat | Pega frontal | Forhåndtag | 3,1 m/s ² | 6,0 m/s ² |
| Achterste handvat | Pega traseira | Baghåndtag | 5,0 m/s ² | 9,4 m/s ² |
| Onzekeerheid bij meting | Incerteza de medições | Målingsusikkerhed | 1,5 m/s ² | |
| Geluidsemissieniveau (in overeenstemming met EN 60745-1; EN 60745-2-13) | Nível de emissão de ruído (em conformidade com EN 60745-1; EN 60745-2-13) | Støjemissionsniveau (iht. EN 60745-1; EN 60745-2-13) | | |
| A-gewogen geluidsdrukkniveau bij positie van gebruiker | Nível de pressão sonora ponderada A na posição do operador | A-vægtet lydtryksniveau ved operatørens position | 92 dB(A) | 93 dB(A) |
| Onzekeerheid bij meting | Incerteza de medições | Målingsusikkerhed | 3 dB(A) | |
| A-gewogen geluidsniveau | Nível de potência sonora ponderada A | A-vægtet lydeffektniveau | 103 dB(A) | 104 dB(A) |
| Onzekeerheid bij meting | Incerteza de medições | Målingsusikkerhed | 3 dB(A) | |

| Vervangonderdelen (Ketting en zwaard) | Peças de substituição (Barra e corrente) | Reserve dele (Sværd og kæde) | | | | |
|---------------------------------------|--|------------------------------|------------|--------|------------|--------|
| Model | Modelo | Model | RCS1935B | | RCS2340B | |
| Fabrikant | Fabricante | Producent | OREGON | RYOBI | OREGON | RYOBI |
| Ketting | Corrente | Kæde | 91PJ052X | RAC248 | 91PJ056X | RAC253 |
| Zwaard | Barra | Sværd | 140SDEA041 | RAC247 | 160SDEA041 | RAC249 |

| Svenska | Suomi | Norsk | Русский | Polски |
|---|--|--|--|---|
| Produktspecifikationer | Tuotteen tekniset tiedot | Produktspesifikasjoner | Характеристики изделия | Parametry techniczne |
| Modell | Malli | Modell | Модель | Model |
| Klassad effekt | Mootorinteho | Nominell effekt | Номинальная мощность | Moc znamionowa |
| Spänning | Nimellisjännite | Nominell spenning | Номинальное напряжение | Napięcie znamionowe |
| Klingans längd | Terälevyn pituus | Sagsverdlengde | Длина пильной шины | Đlugosć prowadnicy |
| Användbar sågningenslängd | Leikkuupituus | Brukbar kuttelengde | Используемая режущая длина | Úyteczna długość cięcia |
| Kedjebromsens stopp | Ketjujarrun pysäytin. | Kjedebremsestopp | Упор цепного тормоза | Czas hamowania łańcucha |
| Kapacitet för oljebehållaren | Ketjun öljysäiliön tilavuus | Kjeldeolje tankkapasitet | Емкость масляного бака пилы | Pojemność zbiornika oleju łańcuchowego |
| Vikt (med stödarm, kedja och tom tank) | Paino (terälevy, ketju ja tyhjä säiliö) | Vekt (med føringskinne, kjede og tom tank) | Вес (с пильной шиной, цепью и пустым топливным баком) | Masa (z prowadnicą, łańcuchem i pustym zbiornikiem paliwa) |
| Vibrationsnivå | Tärinätao | Vibrasjonsnivå | Уровень вибрации | Poziom drgań |
| Fråmre handtag | Etukädensija | Fremre håndtak | Передняя ручка | Przedni uchwyt |
| Bakre handtag | Takakädensija | Bakre håndtak | Задняя ручка | Tylny uchwyt |
| Osåkerhet för mått | Mittausten epätaarkuus | Usikkerhet ved måling | Погрешность измерения | Niepewność pomiaru |
| Bullerutsläppsnivå (enligt EN 60745-1; EN 60745-2-13) | Melutaso (standardin EN 60745-1; EN 60745-2-13 mukaisesti) | Noise emission level (in accordance with EN 60745-1 and EN 60745-2-13) | Уровень шума (в соответствии с EN 60745-1; EN 60745-2-13) | Poziom emisji hałas (zgodnie z normą EN 60745-1; EN 60745-2-13) |
| A-viktad ljudtrycksnivå vid operatörens plats | A-painotettu käyttäjään kohdistuva äänenpainetaso | Støynivåvekting ved operatörens posisjon | Амплитудно-взвешенный уровень звукового давления в рабочем месте оператора | Poziom ciśnienia akustycznego (A) w miejscu operatora |
| Osåkerhet för mått | Mittausten epätaarkuus | Usikkerhet ved måling | Погрешность измерения | Niepewność pomiaru |
| A-vågd ljudeffektnivå | A-painotettu äänenteho | A-vektet lydeffektnivå | Уровень А-взвешенной звуковой мощности | A-ważony poziom natężenia hałas |
| Osåkerhet för mått | Mittausten epätaarkuus | Usikkerhet ved måling | Погрешность измерения | Niepewność pomiaru |

| Utbytesdelar (Klinga och kedja) | Varaosat (Terälevy ja ketju) | Erstatningsdeler (Sagsverd og kjede) | Запасные части (Пильная шина и цепь) | Części zamienne (Prowadnica i łańcuch) |
|---------------------------------|------------------------------|--------------------------------------|--------------------------------------|--|
| Modell | Malli | Modell | Модель | Model |
| Tillverkare | Valmistaja | Produsent | Изготовитель | Producent |
| Kedja | Ketju | Kjede | Пильная цепь | Łańcuch |
| Stöd | Terälevy | Skinne | Шина | Prowadnica |

| Čeština | Magyar | Română | | |
|---|--|--|----------------------|----------------------|
| Technické údaje produktu | Termék műszaki adatai | Specificațiile produsului | | |
| Model | Típus | Model | RCS1935B | RCS2340B |
| Jmenovitý výkon | Névleges teljesítmény | Puterea nominală | 1900W | 2300W |
| Jmenovitě napětí | Névleges feszültség | Tensiunea nominală | 230-240V ~50Hz | |
| Délka vodící lišty | Láncvezető hossza | Lungime a barei de ghidare | 356 mm (14") | 406 mm (16") |
| Využitelná řezací délka | Hasznos vágáshossz | Lungime de tăiere utilizabilă | 340 mm (13") | 380 mm (15") |
| Zastavení řetězu brzdou | Láncfék leállása | Blocarea lanțului | <0,12 s | |
| Kapacita olejové nádrže pro řetěz | Láncolaj tartályának térfogata | Capacitate rezervor ulei de lanț | 150 ml | |
| Hmotnost (s vodící lištou, řetězem a prázdnou nádrží) | Tömeg (láncvezetővel, láncokkal és üres tartállyal) | Greutate (cu lamă de ghidare, lanț și rezervor gol) | 4,7 kg | 4,8 kg |
| Úroveň vibrací | Vibrációs szint | Nivelul vibrațiilor | | |
| Přední rukojeť | Elülső fogantyú | Mâner anterior | 3,1 m/s ² | 6,0 m/s ² |
| Zadní rukojeť | Hátsó fogantyú | Mânerul principal | 5,0 m/s ² | 9,4 m/s ² |
| Nejistota měření | Mérés bizonytalansága | Nesiguranța măsurătorii | 1,5 m/s ² | |
| Hladina emise hluku (v souladu s EN 60745-1; EN 60745-2-13) | Hangkibocsátási szint (az EN 60745-1; EN 60745-2-13 szerint) | Nivel emisie zgomot (în conformitate cu EN 60745-1; EN 60745-2-13) | | |
| Hladina akustického tlaku vážená funkcí A v poloze obsluhy | A-súlyozott hangnyomásszint a kezelő helyén | Nivel presiune sunet greutate A la poziția operatorului | 92 dB(A) | 93 dB(A) |
| Nejistota měření | Mérés bizonytalansága | Nesiguranța măsurătorii | 3 dB(A) | |
| Hladina akustického tlaku vážená funkcí A | A-súlyozott hangteljesítményszint | Nivel de putere acustică ponderată A | 103 dB(A) | 104 dB(A) |
| Nejistota měření | Mérés bizonytalansága | Nesiguranța măsurătorii | 3 dB(A) | |

| Náhradní díly (Lišta a řetěz) | Cserealkatrészek (Láncvezető és lánc) | Piese de schimb (Bară și lanț) | | | | |
|-------------------------------|---------------------------------------|--------------------------------|------------|--------|------------|--------|
| Model | Típus | Model | RCS1935B | | RCS2340B | |
| Výrobce | Gyártó | Producător | OREGON | RYOBI | OREGON | RYOBI |
| Ostrá část řetězu | Fűrészlánc | Lanțul ferăstrăului | 91PJ052X | RAC248 | 91PJ056X | RAC253 |
| Lišta | Láncvezető | Lamă | 140SDEA041 | RAC247 | 160SDEA041 | RAC249 |

| Latviski | Lietuviškai | Eesti | Hrvatski | Slovensko | Slovenčina |
|---|--|---|--|--|--|
| Produkta specifikācijas | Gaminio techninės savybės | Toote tehnilised andmed | Specifikacije proizvoda | Specifikacije izdelka | Špecifikácie produktu |
| Modelis | Modelis | Mudel | Model | Model | Modelis |
| Nominālā jauda | Nomināli galia | Nimivõimsus | Nazivna snaga | Nazivna moč | Menovitý výkon |
| Nominālais spriegums | Nomināli ātampa | Nimipinge | Nazivni napon | Nazivna napetost | Menovitě napätie |
| Slīdes garums | Kreipiamosios juostos ilgis | Juhtlatti pikkus | Duljina vodilice lanca | Dožina meča | Dĺžka vodiacej lišty |
| Izmantojamais griešanas garums | Naudojamas pjovimo ilgis | Kasutatav lõike pikkus | Korisna duljina vodilice | Dožina uporabne površine za žaganje | Využitelná dĺžka rezania |
| Ķēdes bremze | Grandinēs stabdiklio reagavimo greitis | Ketipiduri seiskumine | Zaustavljáč kočnice lanca | Zapora zavore verige | Zastavenie brzdov reťaze |
| Ķēdes eļļas tvertnes tilpums | Grandinēs alyvos bakelio tūris | Õlipaagi maht | Kapacitet spremnika ulja za lanac | Kapaciteta posode za olje verige | Kapacita olejovej nádrže reťaze |
| Svars (ar siliedi, ķēdi un tukšu tvertni) | Svoris (su krepituvu, grandine ir tuščiu baku) | Mass (juhtlatiga, ketiga ja tühja paagiga) | Težina (s vodilicom, lancem i praznim spremnikom) | Teža (z mečem, verigo in praznim rezervoarjem) | Hmotnosť (s vodiacou lištou, reťazou a prázdnu nádržou) |
| Vibrācijas līmenis | Vibrācijas lygis | Vibratsioonitase | Razina vibracije | Raven vibracij | Úroveň vibrácií |
| Priekšējais rokturis | Priekinė rankena | Eesmine käepide | Prednja ručka | Sprednji ročaj | Predná rukoväť |
| Aizmugurējais rokturis | Galinė rankena | Tagumine käepide | Stražnja ručica | Zadnji ročaj | Zadná rukoväť |
| Mērijuma nenoteiktība | Matavimo paklaida | Mõõtmismääramatus | Neodređenost mjerenja | Negotovost meritve | Nespoľahlivosť meraní |
| Trokšņu emisijas līmenis (saskaņā ar EN 60745-1; EN 60745-2-13) | Skleidziamo triukšmo lygis (pagal EN 60745-1; EN 60745-2-13 standartą) | Helivõimsuse tase (vastavalt standardile EN 60745-1; EN 60745-2-13) | Razina emisija buke (u skladi s EN 60745-1; EN 60745-2-13) | Raven emisij hrupa (v skladi s standardom EN 60745-1; EN 60745-2-13) | Úroveň emisii hluku (podľa normy EN 60745-1; EN 60745-2-13) |
| Lietotāja pozīcijā ir ar A novērtēts skaņas spiediena līmenis | A svorinis triukšmo slėgio lygis operatoriaus padėtyje | A-kaalutud müräemissiooni rõhu tase operaatori töökohal | A-ponderirana razina zvučnog tlaka u položaju operatera | A-izmerjena raven zvočnega tlaka pri položaju upravljalca | Vážená A hladina akustického tlaku na pozícií obsluhujúcej osoby |
| Mērijuma nenoteiktība | Matavimo paklaida | Mõõtmismääramatus | Neodređenost mjerenja | Negotovost meritve | Nespoľahlivosť meraní |
| A-līmeņa skaņas jaudas līmenis | A-svertinis akustinis lygis | A-kaalutud helivõimsuse tase | Ponderirana razina zvučne snage | A-izmerjena raven zvočne moči | Vážená A hladina akustického výkonu |
| Mērijuma nenoteiktība | Matavimo paklaida | Mõõtmismääramatus | Neodređenost mjerenja | Negotovost meritve | Nespoľahlivosť meraní |

| Rezerves daļas (Slīde un ķēde) | Atsarginės detalės (Juosta ir grandinė) | Asendusosad (Juhtlatti ja kett) | Zamjena dijelova (Vodilica i lanac) | Nadomestni deli (Meč in veriga) | Náhradné diely (Lišta a reťaz) |
|--------------------------------|---|---------------------------------|-------------------------------------|---------------------------------|--------------------------------|
| Modelis | Modelis | Mudel | Model | Model | Modelis |
| Ražotājs | Gamintojas | Toolja | Proizvođač | Proizvajalec | Výrobca |
| Zāģēšanas ķēde | Pjovimo grandinė | Kett | Lanac | Veriga | Reťaz |
| Slīde | Apsagas | Juhtlatti | Vodilica | Meč | Lišta |

| България | Українська | Türkçe | | |
|--|---|---|----------------------|----------------------|
| Технически характеристики | Технічні характеристики пристрою | Ürün teknik özellikleri | | |
| Модел | Модель | Model | RCS1935B | RCS2340B |
| Номинална мощност | Номинальна потужність | Nominal güç | 1900W | 2300W |
| Номинален волтаж | Номинальна напруга | Nominal voltaj | 230-240V ~50Hz | |
| Дължина на водещата шина | Довжина напрямної штанги | Kılavuz çubuğu uzunluk | 356 mm (14") | 406 mm (16") |
| Използваема дължина на рязане | Корисна рязачна довжина | Kullanılabilen kesme uzunluğu | 340 mm (13") | 380 mm (15") |
| Спиратка на веригата | Зупинка ланцогового гальма | Zincir freni durdurma | <0,12 s | |
| Вместимост на резервоара за верижно масло | Об'єм масляного бака ланцюга | Zincir yağ tankı kapasitesi | 150 ml | |
| Тегло (с шина, верига і празен резервоар) | Вага (з напрямною штангою, ланцюгом і порожнім баком) | Ağırlık (kılavuz çubuk, zincir ve boş tank) | 4,7 kg | 4,8 kg |
| Ниво на вибрация | Рівень вібрації | Titreşim seviyesi | | |
| Предна ръкохватка | Передня ручка | Ön kulp | 3,1 m/s ² | 6,0 m/s ² |
| Задна ръкохватка | Задня ручка | Arka kulp | 5,0 m/s ² | 9,4 m/s ² |
| Несигурност на измерването | Невизначеність вимірювання | Ölçüm bilinmiyor | 1,5 m/s ² | |
| Ниво на шумовите емисии (в съответствие с EN 60745-1; EN 60745-2-13) | Рівень шуму (відповідно до EN 60745-1; EN 60745-2-13) | Gürültü emisyon seviyesi (EN 60745-1, EN 60745-2-13 uyarınca) | | |
| Равнище A на нивото на шумовото налягане на мястото на оператора. | Рівень звукового тиску за шкалою A для оператора пристрою | Kullanıcı pozisyonundaki A ağırlıklı ses basıncı seviyesi | 92 dB(A) | 93 dB(A) |
| Несигурност на измерването | Невизначеність вимірювання | Ölçüm bilinmiyor | 3 dB(A) | |
| Ниво на силата на шума с равнище A | A-зв'язаний рівень звукової потужності | A ağırlıklı ses gücü seviyesi | 103 dB(A) | 104 dB(A) |
| Несигурност на измерването | Невизначеність вимірювання | Ölçüm bilinmiyor | 3 dB(A) | |

| Резервни части (Шина и верига) | Запасні частини (штанга і ланцюг) | Yedek Parça (Gövde ve Zincir) | | |
|--------------------------------|-----------------------------------|-------------------------------|------------|----------|
| Модел | Модель | Model | RCS1935B | RCS2340B |
| Производител | Виробник | Üretici | OREGON | RYOBI |
| Режуща верига | Ланцюг | Zincir | 91PJ052X | RAC248 |
| Шина | Штанга | Gövde | 140SDEA041 | RAC247 |
| | | | 160SDEA041 | RAC249 |

EN Vibration level

The declared vibration value has been measured with a standard test method and may be used to compare one tool with another.

The declared vibration value may be used in a preliminary assessment of exposure.

The vibration emission during actual use of power tool can differ from the declared total value depending on the ways in which the tool is used.

Identify safety measures to protect the operator that are based on an estimation of exposure in the actual conditions of use, taking account of all parts of the operating cycle such as the times when the tool is switched off and when it is running idle in addition to the trigger time.

FR Niveau de vibrations

La valeur déclarée totale des vibrations a été mesurée selon une méthode de test standardisée qui peut être utilisée pour comparer un outil avec un autre.

La valeur déclarée totale des vibrations peut également être utilisée pour évaluer par avance le niveau d'exposition.

La valeur des vibrations réellement produites durant l'utilisation de l'outil électrique peuvent différer de la valeur totale déclarée, en fonction de la manière dont l'outil est utilisé.

Identifiez les mesures de sécurité à prendre pour vous protéger, sur la base d'une estimation de l'exposition réelle, en tenant compte de tous les éléments du cycle d'utilisation tels que le temps d'arrêt de l'outil et le temps de son fonctionnement au ralenti, en plus du temps de fonctionnement normal.

DE Vibrationsgrad

Der angegebene Vibrationswert wurde durch eine Standard-Testmethode ermittelt und kann dazu verwendet werden, ein Werkzeug mit einem anderen zu vergleichen. Der angegebene Vibrationswert kann für eine Voraburteilung der Exponierung herangezogen werden.

Die Vibrationsemissionen bei der tatsächlichen Benutzung von Elektrowerkzeugen kann sich, abhängig von der Art der Benutzung des Werkzeugs, von dem genannten Wert unterscheiden.

Identifizieren Sie aufgrund einer Einschätzung der Exponierung unter tatsächlichen Einsatzbedingungen Maßnahmen zum eigenen Schutz, unter Berücksichtigung aller Bestandteile des Betriebszyklus, wie die Zeiten zu denen das Werkzeug ausgeschaltet ist, und zu denen es sich zusätzlich zu den Auslösezeitpunkten im Leerlauf befindet.

ES Nivel de vibración

El valor declarado de vibraciones se ha medido con un método de prueba estándar y puede utilizarse para comparar una herramienta con otra.

El valor declarado de vibraciones puede utilizarse en una evaluación preliminar de exposición.

La emisión de las vibraciones durante el uso real de la herramienta eléctrica puede diferir del valor total declarado según el uso que se le dé a la herramienta.

Identifique las medidas de seguridad para protegerse en base a una estimación de la exposición en las condiciones reales de uso, teniendo en cuenta todas las partes del ciclo de funcionamiento, como los tiempos en que la herramienta está apagada y cuando está en ralentí, además del tiempo de activación.

IT Livello di vibrazioni

Il valore delle vibrazioni dichiarato deve essere misurato con un metodo di test standard e può essere utilizzato per paragonare un utensile a un altro.

Il valore dichiarato delle vibrazioni può essere utilizzato nella valutazione preliminare dell'esposizione.

L'emissione delle vibrazioni durante l'utilizzo dell'utensile può essere diversa dal valore totale dichiarato a seconda dei modi in cui l'utensile viene utilizzato.

Individuare misure di sicurezza per proteggersi basate su una stima dell'esposizione nelle attuali condizioni di utilizzo, prendendo in considerazione tutte le parti del ciclo operativo come i tempi in cui l'utensile viene spento o quando funziona al minimo oltre al tempo di attivazione.

NL Trillingsniveau

De aangegeven trillingswaarde werd gemeten met behulp van een standaard testmethode en kan worden gebruikt om gereedschap met elkaar te vergelijken.

De aangegeven trillingswaarde kan worden gebruikt in een voorlopige blootstellingsanalyse.

De trillingsemisatie tijdens het gebruik van het werktuig kan verschillen van de aangegeven totale waarde, afhankelijk van de manier waarop het werktuig wordt gebruikt.

Neem veiligheidsmaatregelen om uzelf te beschermen op basis van een inschatting van de blootstelling in de huidige gebruiksomstandigheden, rekening houdend met alle onderdelen van de bedrijfscyclus, zoals de tijd dat het werktuig wordt uitgeschakeld en het stationair draait, bovenop de bedrijfstijd.

PT Nivel de vibração

O valor de vibração declarado foi medido com um método de teste padrão e pode ser usado para comparar uma ferramenta com outra.

O valor de vibração declarado pode ser utilizado numa avaliação preliminar da exposição.

A emissão das vibrações durante o uso real da ferramenta eléctrica pode diferir do valor total declarado segundo o uso que se der à ferramenta.

Identifique as medidas de segurança para se proteger com base numa estimativa de exposição nas actuais condições de uso, tendo em conta todas as peças do ciclo de funcionamento, como as vezes que a ferramenta é desligada e quando está a trabalhar em ralentí para além do tempo de gatilho.

DA Vibrationsniveau

Den erklærede vibrationsværdi er målt i henhold til en standard-testmetode og kan bruges til at sammenligne forskellige værktøjer indbyrdes.

Den erklærede vibrationsværdi kan bruges som en foreløbig vurdering af eksponeringen.

Vibrationsemissionen ved praktisk brug af elværktøjet kan variere fra den erklærede totalværdi, alt efter hvordan værktøjet anvendes.

Træf passende sikkerhedsforanstaltninger for at beskytte dig selv ud fra den skønnede eksponering for risici under de aktuelle anvendelsesforhold, hvor du - ud over den effektive arbejdstid - også tager højde for de varierende perioder, som fx når værktøjet er slukket, og når det kører i tomgang.

SV Vibrationsnivå

Det angivna vibrationsvärdet har uppmätts med en standardmetod och kan användas för att jämföra med andra kraftverktyg.

Det angivna vibrationsvärdet kan användas i en preliminär analys av vibrationerna som användaren utsätts för.

De vibrationer som uppstår vid användningen av el-verktyget kan skilja sig från det uppgivna totalvärdet beroende på det sätt som verktyget används på.

Vidtag säkerhetsåtgärder för ditt personliga skydd utifrån den exponering som sker under användningen, ta hänsyn till all användning som då verktyget är avstängt och när det går på tomgång förutom den faktiska brukstiden.

FI Tärinätaso

Ilmoitettu tärinäarvo on mitattu tavallisin testimenetelmin, ja sitä voidaan käyttää verrattaessa laitetta toiseen.

Ilmoitettua tärinäarvoa voidaan käyttää arvioitaessa tärinävaikutusta.

Sähkökalun todellisen käytön aikainen tärinä saattaa poiketa ilmoitetusta kokonaisarvosta, laitteen käyttötavasta riippuen.

Määritä käyttäjän suojakeinot, jotka perustuvat todellisten käyttöolosuhteiden tärinävaikutusarvioon, ottaen huomioon kaikki käyttöjakson osat, kuten ajan, jonka laite on sammuksissa ja käy tyhjäkäynnillä, varsinaisen sahausajan lisäksi.

PL Poziom drgań

Deklarowany poziom drgań został zmierzony za pomocą standardowej metody pomiaru i jego wyniki mogą służyć do porównywania tego urządzenia z innymi.

Deklarowana wartość drgań może służyć do wstępnej oceny narażenia operatora na wibracje.

Emisja drgań podczas użytkowania elektronarzędzi może różnić się od zadeklarowanej wartości, w zależności od sposobu użytkowania urządzenia.

Określili zasady bezpieczeństwa, oparte na oszacowaniu narażenia operatora w rzeczywistych warunkach użytkowania, uwzględniając wszystkie elementy cyklu operacyjnego, takie jak czasy wyłączenia oraz czasy pracy bez obciążenia, oprócz czasu pracy przy wcześniejszym przycisku uruchamiania.

CS Úroveň vibrací

Uznaná hodnota vibrací byla naměřena pomocí standardního testovacího postupu a lze ji použít k porovnání s jinými nástroji.

Uznaná hodnota vibrací se může používat k předběžnému odhadu vystavování vibracím.

Aktuální hodnoty vibrací během používání nástroje se mohou lišit od všech uvedených a mohou se lišit dle použitého nástroje.

Určete bezpečnostní opatření pro vlastní ochranu, která jsou založena na odhadu vystavení v aktuálních podmínkách používání, popisu všech částí pracovního cyklu jako doby, kdy je nástroj vypnut a když běží naprázdno, kromě doby spuštění.

NO Vibrasjonsnivå

Den oppgitte vibrasjonsverdien er målt med en standard testmetode og kan benyttes for å sammenligne ett verktøy med et annet.

Den oppgitte vibrasjonsverdien kan benyttes for en foreløpig angivelse av eksponering.

Vibrasjonene ved faktisk bruk av et elektrisk verktøy kan skille seg fra oppgitte totalverdier avhengig av måten verktøyet brukes på.

Identifiser sikkeringstiltak som beskytter deg selv, basert på et anslag for eksponering i den faktiske brukssituasjonen der man tar hensyn til alle brukssykluserne, som tidspunktet da maskinen ble slått av og når den går på tomgang i tillegg til tiden når verktøyet arbeider.

HU Vibrációsérték

A megadott vibrációs érték szabványos tesztmódszerrel lett meghatározva, és két szerszám összehasonlításakor is használható.

A megadott vibrációs érték a vibrációnak való kilettség előzetes becsléséhez is felhasználható.

A vibráció-kibocsátás a szerszám gép tényleges használat során eltérhet a nyilatkozatban szereplő teljes értéktől; ez függ a gép használatának módjától.

Határozza meg a saját védelmét szolgáló óvintézkedéseket az adott használati körülmények között érvényes kilettség felmérésével, figyelembe véve a használat teljes időtartamát, vagyis beleértve azokat az időszakokat, amikor a gép ki van kapcsolva, vagy bekapcsolt állapotban üresjáratban működik.

RU Уровень вибрации

Заявленная величина вибрации измерялась в соответствии со стандартной методикой проведения испытаний и может использоваться для сравнения одного инструмента с другим.

Заявленная величина вибрации может использоваться при предварительной оценке характеристик.

Уровень вибрации при работе электроинструмента может отличаться от заявленной общей величины вибрации в зависимости от условий его использования.

Выберите средства защиты оператора с учетом реальных условий эксплуатации, принимая во внимание все факторы рабочего цикла, такие как время, в течение которого инструмент был выключен, и время его работы в холостом режиме.

RO Nivelul vibrațiilor

Valoarea declarată a vibrațiilor a fost măsurată cu o metodă de testare standard și poate fi utilizată pentru a compara o unealtă cu alta.

Valoarea declarată a vibrațiilor poate fi utilizată într-o evaluare preliminară a expunerii.

Emisia de vibrații în timpul folosirii efective a unelei electrice poate diferi de valoarea totală declarată în funcție de modulele în care este utilizată unealta.

Identificați măsururile de siguranță pentru a vă proteja, pe baza estimării expunerii la condițiile efective de utilizare, luând în considerare toate etapele ciclului de operare, precum momentele în care unealta este oprită și atunci când funcționează în gol, suplimentar momentului declanșării.

LV Vibrācijas līmenis

Nosauktais vibrācijas līmenis ir ticis izmērīts ar standarta pārbaudes metodi un var tikt izmantots, lai salīdzinātu vienu instrumentu ar citu.

Nosauktā vibrācijas vērtība var tikt izmantota sākotnējās iedarbības novērtējumam. Elektroinstrumenta vibromisija reālā darba laikā var atšķirties no norādītās kopējās vērtības atkarībā no veidiem, kā instruments tiek lietots.

Nosakiet drošības pasākumus, lai sevi aizsargātu, balstoties uz saskares ilguma novērtējumu atbilstoši lietošanas apstākļiem, ņemot vērā visas lietošanas cikla daļas, tostarp laikus, kad instruments tiek izslēgts un kad tas darbojas tukšgaitā papildus darbināšanas laikam.

LT Vibracijos lygis

Deklaruotas vibracijos lygis yra išmatuotas standartinio testo metu ir gali būti naudojamas vieno įrankio su kitu palyginimui.

Deklaruotas vibracijos lygis gali būti naudojamas preliminariam pavojaus įvertinimui.

Elektrinio įrankio naudojimo metu vibracijos lygis gali skirtis nuo deklaruotos bendrosios vertės pagal įrankio naudojimo būdus.

Nustatykite saugumo priemones, kad apsisaugotumėte, kurios pagrįstos pavojaus įvertinimu pačiose naudojimo sąlygose, atkreipiant dėmesį į visas darbo ciklo dalis, pvz. laikotarpį, kai įrankis yra išjungtas ir kai veikia tuščiaja eiga bei perjungimo laiką.

SL Raven vibracij

Navedena vrednost vibracij je bila izmerjena s standardno metodo testiranja in se lahko uporabi za primerjavo različnih orodij.

Navedena vrednost vibracij se lahko uporabi za predhodne ocene izpostavljenosti. Emisije med dejansko uporabo električnega orodja se od navedene vrednosti lahko razlikujejo, odvisno od načina, kako se orodje uporablja.

Ugotovite varnostne ukrepe za zaščito upravljavca, ki temeljijo na oceni izpostavljenosti v dejanskih pogojih uporabe, pri tem pa je treba upoštevati vse dele delovnega cikla – npr. ko je orodje izključeno in ko je v prostem teku in čas zagona.

SK Úroveň vibrácií

Deklarovaná hodnota vibrácií bola meraná podľa štandardnej testovacej metódy a možno ju používať na porovnanie jedného nástroja s iným.

Deklarovaná hodnota vibrácií sa dá použiť aj v predbežnom odhade expozície. Úroveň emisií počas samotného používania elektrického nástroja sa môže líšiť od deklarovanej celkovej hodnoty v závislosti od toho, ktorý nástroj sa používa.

Identifikujte bezpečnostné opatrenia na vašu ochranu ne základe posúdenia skutočných podmienok použitia, pričom vezmite do úvahy všetky časti prevádzkového cyklu, napríklad časov, kedy je nástroj vypnutý a kedy pracuje na voľnobehu okrem času spúšťania.

ET Vibratsioonitase

Deklareeritud vibratsiooniväärtus on mõõdetud standardse testimismeetodiga ja seda võib kasutada tööriistade omavaheliseks võrdlemiseks.

Deklareeritud vibratsiooniväärtust võib kasutada mürataseme eelhindamiseks.

Olenevalt seadme kasutusviisist võib mehaanilise tööriista töötamisel ilmneva vibratsiooniemissioon, mille suurus erineb deklareeritud väärtustest.

Kasutaja kaitsmiseks seadmega töötamisel tuleb kindlaks teha turvameetmed, mis põhinevad tegelikes kasutustingimustes esinevale vibratsioonile, sealjuures tuleb arvesse võtta kõiki töotsükli osi, lisaks sisselülitatud olekule näiteks ka vibratsiooni väljalülitamise ajal ja tühikäigul.

BG Ниво на вибрация

Посочената стойност за вибрациите е измерена с помощта на стандартен тест и може да се използва за сравнение с друг инструмент.

Посочената стойност за вибрациите може да бъде използвана в предварително оценяване за излагане на вибрации.

Вибрациите по време на действителната употреба на електромеханичния инструмент може да се различават от обявената обща стойност в зависимост от начините, по които се използва инструментът.

Определете мерки за безопасност за собствена защита според преценка за излагането на вибрации в реални условия, като се вземат предвид всички елементи на работния цикъл, като например времето, в което инструментът е изключен и когато работи на празен ход, както и времето за задействане.

HR Razina vibracije

Objavljena vrijednost vibracija je izmjerena standardnom metodom testiranja i može se koristiti za usporedbu jednog alata s drugim.

Objavljena vrijednost vibracija može se koristiti u početnom usklađivanju izloženosti.

Razina vibracija tijekom trenutachne uporabe AKU alata može se razlikovati od deklarirane ukupne vrijednosti ovisno o načinima na koje se alat koristi.

Identificirajte sigurnosne mjere za svoju zaštitu na temelju procjene izloženosti u trenutim uvjetima korištenja, uzevši u obzir sve dijelove radnog ciklusa kao što su vrijeme kada je alat isključen i kada je pokrenut u praznom hodu u dodatku vremenu pokretanja.

UK Рівень вібрації

Оголошене значення вібрації було виміряно за допомогою стандартного методу випробування і може бути використане для порівняння одного інструмента з іншим.

Він може бути використаний для попередньої оцінки впливу.

Емісія вібрації під час фактичного використання електроінструменту може відрізнятися від заявленого значення залежно загального використання інструменту.

Визначити заходи безпеки, щоб захистити себе на основі оцінки впливу в реальних умовах використання, з урахуванням всіх частин робочого циклу, коли інструмент вимкнений, і коли він працює в холостому режимі, доповнюючи робоче положення.

TR Titreşim seviyesi

Beyan edilen titreşim değeri standart bir test yöntemi ile ölçülmüştür ve bir aleti diğeriyle karşılaştırmak için kullanılabilir.

Beyan edilen titreşim değeri bir maruz kalma ön değerlendirmesinde kullanılabilir. Güç destekli aletin fiili kullanımı sırasında meydana gelen titreşim emisyonu aletin kullanımına şekline bağlı olarak beyan edilen toplam değerden farklı olabilir.

Kendinizi korumak için aletin açılıp kapatılma sayısı ve tetik süresinin yanı sıra rölantide çalıştığı zaman gibi çalışma döngüsünde yer alan tüm parçaları dikkate alarak gerçek kullanım koşullarında maruz kalma hesaplamasına dayalı güvenlik önlemlerini belirleyin.

EN RYOBI® WARRANTY APPLICATION CONDITIONS

In addition to any statutory rights resulting from the purchase, this product is covered by a warranty as stated below.

- The warranty period is 24 months for consumers and commences on the date when the product was purchased. This date has to be documented by an invoice or other proof of purchase. The product is designed and dedicated to consumer and private use only. So there is no warranty provided in case of professional or commercial use. This warranty applies only on new products.
- There is a possibility to extend for a part of the range of power tools (AC/DC) the warranty period over the period described above using the registration on the www.ryobitools.eu website. The eligibility of products for extended warranty is clearly displayed in stores and / or on packaging and is contained within the product documentation. The end user is required to register his/her newly-acquired products online within 30 days from the date of purchase. The end user may register for the extended warranty in his/her country of residence if listed on the online registration form where this option is valid. Furthermore, end users must give their consent to the storage of their personal data that is required to be entered online. They must also accept the terms and conditions. The registration confirmation receipt, which is sent out by e-mail, and the original invoice showing the date of purchase will serve as proof of the extended warranty.
- The warranty covers all defects of the product during the warranty period due to faults in workmanship or material at the purchase date. The warranty is limited to repair and/or replacement and does not include any other obligations including but not limited to incidental or consequential damages. The warranty is not valid if the product has been misused, used contrary to the instruction manual, or has been incorrectly connected to a power supply. This warranty does not apply to:
 - any damage to the product that is the result of improper or lack of maintenance
 - any product that has been altered or modified
 - any product where original identification (trade mark, serial number) markings have been defaced, altered or removed
 - any damage caused by non-observance of the instruction manual
 - any product not displaying the CE approval mark on the rating plate
 - any product that has been attempted to be repaired by a non-authorised warranty service centre or without prior authorisation by Technonic Industries
 - any product connected to improper power supply (amps, voltage, frequency)
 - any product used with inappropriate fuel mixture (fuel, oil, ratio of oil/ fuel mixture)
 - any damage caused by external influences (water, chemical, physical, shocks) or foreign substances
 - normal wear and tear spare parts
 - inappropriate use, overloading of the tool
 - use of non-approved accessories or parts
- Accessories provided with the tool or purchased separately including but not limited to blades, saw chains, cutting lines, etc.
- Any periodic adjustments to or maintenance cleaning of carburettors
- Components (parts and accessories) subject to natural wear and tear, including but not limited to bump knobs, drive belts, clutch, blades of hedge trimmers or lawn mowers, harness, cable throttle, carbon brushes, power cord, tines, felt washers, hitch pins, blower fans, blower and vacuum tubes, vacuum bag and straps, guide bars, saw chains, hoses, connector fittings, spray nozzles, wheels, spray wands, inner reels, outer spools, cutting lines, spark plugs, air filters, gas filters, mulching blades, etc.
- For servicing, the product must be sent or presented to a RYOBI authorised service station listed for each country in the following list of service station addresses. In some countries your local RYOBI dealer undertakes to send the product to the RYOBI service organisation. When sending a product to a RYOBI service station, the product should be safely packed without any dangerous contents such as petrol, marked with sender's address and accompanied by a short description of the fault.
- A repair / replacement under this warranty is free of charge. It does not constitute an extension or a new start of the warranty period. Exchanged parts or products become our property. In some countries delivery charges or postage will have to be paid by the sender. Your statutory rights arising from the purchase of the product remain unaffected.
- This warranty is valid in the European Community, Switzerland, Iceland, Norway, Liechtenstein, Turkey and Russia. Outside these areas, please contact your authorised RYOBI dealer to determine if another warranty applies.

AUTHORISED SERVICE CENTRE

To find an authorised service centre near you, visit <http://en.ryobitools.eu/header/service-and-support/service-agents>.

FR RYOBI® CONDITIONS D'APPLICATION DE LA GARANTIE

En plus des droits statutaires liés à l'achat, ce produit est couvert par une garantie telle que décrite ci-dessous.

- La durée de la garantie accordée au consommateur est de 24 mois à partir de la date d'achat. Cette date doit être attestée par une facture ou tout autre preuve d'achat. Le produit a été conçu en vue d'une utilisation strictement privée. Aucune garantie ne s'applique donc en cas d'utilisation professionnelle ou commerciale.
- Il existe pour une partie de la gamme « jardin » (AC/DC), une possibilité d'étendre la période de garantie au-delà de la période précédemment décrite en utilisant le formulaire d'enregistrement présent sur le site Internet www.ryobitools.eu. L'éligibilité d'un outil est clairement affichée dans les points de vente et/ou sur l'emballage et la documentation. L'utilisateur final doit enregistrer son/ses outil(s) nouvellement acheté(s) en ligne dans les 30 jours qui suivent la date d'achat. L'utilisateur a la possibilité de s'enregistrer pour l'extension de garantie dans son pays de résidence si celui-ci est listé dans le formulaire d'enregistrement en ligne où cette option est valide. L'utilisateur final doit donner son consentement pour l'enregistrement des données requises pour accéder au site et doit accepter les termes et conditions. La confirmation d'enregistrement, envoyée par courrier électronique, ainsi que la facture originale mentionnant la date d'achat serviront de preuve de l'extension de garantie.
- La garantie couvre pendant la période de garantie les défauts des produits liés à la fabrication et aux matériaux à la date d'achat. La garantie est limitée à la réparation et/ou au remplacement et n'inclut aucune autre obligation, tel que, mais sans s'y limiter, les dommages accessoires ou indirects. La garantie est non valable en cas de mauvaise utilisation du produit, d'utilisation contraire aux instructions du mode d'emploi, ou en cas de branchement incorrect. Cette garantie ne s'applique pas pour :
 - tout dommage au produit résultant d'un mauvais entretien
 - tout produit ayant été altéré ou modifié
 - tout produit dont les marquages originaux d'identification (marque, numéro de série) ont été dégradés, altérés ou retirés
 - tout dommage causé par le non-respect des instructions du mode d'emploi
 - tout produit non CE
 - tout produit ayant subi une tentative de réparation par du personnel non qualifié ou sans autorisation préalable de Technonic Industries
 - tout produit raccordé à une alimentation secteur non conforme (ampérage, voltage, fréquence)
 - tout produit utilisé avec un mélange inapproprié (essence, huile, pourcentage d'huile)
 - tout dommage causé par des influences extérieures (chimiques, physiques, chocs) ou par des substances étrangères
 - l'usure normale des pièces consommables
 - une utilisation inappropriée, une surcharge de l'outil
 - l'utilisation de pièces ou accessoires non agréés
 - Tout réglage périodique ou tout nettoyage de maintenance des carburateurs
 - les composants (pièces et accessoires) sujets à une usure naturelle, incluant de façon non exhaustive les têtes de fil à frapper, les courroies de transmission, les embrayages, les lames des taille-haies ou des tondeuses à gazon, les harnais, les câbles d'accélérateur, les charbons, les cordons d'alimentation, les fraises de cultivateurs, les rondelles feutre, les goupilles de fraise, les turbines et lame de broyage des souffleurs, les tubes de soufflage et d'aspiration des souffleurs, les sacs de souffleurs et leurs lanières, les guides-chaîne, les chaînes de tronçonneuses, les tuyaux et raccords, les buses et lances de nettoyeurs haute pression, les roues, les recharges de fil des têtes de coupe, le fil de coupe, les bougies d'allumage, les filtres à air, les filtres à essence, etc.
- Si le produit doit être réparé, envoyez-le à un service après-vente agréé RYOBI dont vous trouverez ci-dessous la liste pour chaque pays. Dans certains pays, votre revendeur RYOBI se chargera d'envoyer le produit à un centre de réparation RYOBI. Lorsque vous envoyez un produit à un service après-vente RYOBI, celui-ci doit être correctement emballé, sans contenir aucun produit dangereux tel que de l'essence, et vous devez indiquer votre adresse ainsi qu'une courte description du problème.
- Une réparation / un remplacement sous garantie est gratuit(e). Ceci ne constituera pas une extension de garantie ni un nouveau départ de la période de garantie. Les pièces ou les outils remplacés deviennent notre propriété. Dans certains pays, les frais de port devront être assumés par l'expéditeur. Vos droits statutaires restent inchangés.
- Cette garantie est valable au sein de l'Europe, de la Suisse, de l'Islande, de la Norvège, du Liechtenstein, de la Turquie, de la Russie. En dehors de ces zones, veuillez contacter votre distributeur agréé RYOBI pour déterminer si une autre garantie s'applique.

SERVICE APRÈS-VENTE AGRÉÉ

Pour trouver le service après-vente agréé le plus proche, rendez-vous sur <http://fr.ryobitools.eu/header/service-and-support/service-agents>

DE RYOBI® GARANTIEBEDINGUNGEN

Zusätzlich zu den gesetzlichen Rechten aus dem Kauf gilt für dieses Produkt die nachstehend aufgeführte Garantie.

- Der Garantiezeitraum beträgt für Verbraucher 24 Monate und beginnt mit dem Datum des Kaufs. Dieses Datum muss durch eine Rechnung oder einen anderen Kaufbeleg dokumentiert werden. Dieses Produkt wurde ausschließlich für die private Nutzung durch Verbraucher entwickelt. Für den Fall einer professionellen bzw. kommerziellen Nutzung besteht daher keine Garantie.
- Es besteht die Möglichkeit, für einen Teil des Sortiments der Gartenwerkzeuge (AC/DC) den Garantiezeitraum über den oben genannten Zeitraum hinaus zu verlängern, indem der Verbraucher die Registrierung auf der Website www.ryobitools.eu durchführt. Die Berechtigung der Werkzeuge für die Garantieverlängerung ist deutlich im Geschäft und/oder auf der Verpackung beschrieben und in der Produktdokumentation erwähnt. Der Verbraucher muss das neu erworbene Gerät online innerhalb von 30 Tagen ab dem Kaufdatum registrieren. Der Verbraucher kann das Gerät zwecks Garantieverlängerung in seinem Wohnsitzland/Heimatland registrieren, wenn dieses Land auf dem Online-Registrierungsformular aufgeführt ist und die Option gültig ist. Darüber hinaus muss der Verbraucher seine Zustimmung zur Speicherung der Daten geben, die online eingegeben werden müssen, und er muss die allgemeinen Geschäftsbedingungen akzeptieren. Die Bestätigung der Registrierung, die per E-Mail versandt wird, und die Originalrechnung mit dem Kaufdatum gelten als Beleg für die Garantieverlängerung.
- Die Garantie deckt alle Defekte des Geräts während des Garantiezeitraums ab, die auf zum Zeitpunkt des Kaufs bestehende Verarbeitungs- oder Materialfehler zurückzuführen sind. Die Garantie beschränkt sich auf Reparatur und/oder Ersatz und beinhaltet keine anderen Verpflichtungen, insbesondere keinen Schadenersatz für Folge- oder Nebenschäden. Die Garantie gilt nicht, wenn das Gerät fehlerhaft eingesetzt wurde, gegenseitlich zur Bedienungsanleitung eingesetzt wurde oder falsch angeschlossen wurde. Die Garantie gilt nicht für Folgendes:
 - Schäden am Gerät, die auf unkorrekte Wartung zurückzuführen sind
 - Geräte, an denen Veränderungen vorgenommen wurden
 - Produkte, bei denen die ursprüngliche Identifizierung (Handelsmarke, Seriennummer) unleserlich gemacht, verändert oder entfernt wurde
 - Schäden durch Nichtbeachtung der Bedienungsanleitung
 - nicht-CE-zertifizierte Geräte
 - Geräte, an denen durch nicht-qualifizierte Personen oder ohne vorherige Genehmigung von Techtronic Industries Reparaturversuche vorgenommen wurden
 - Geräte, die eine unkorrekte Energiequelle (Ampere, Volt, Frequenz) angeschlossen wurden
 - Geräte, die mit einer fehlerhaften Treibstoffmischung (Treibstoff, Öl, Ölanteil) betrieben wurden
 - Schäden durch äußere Einflüsse (chemisch, physisch, Stöße) oder Fremdstoffe
 - normaler Verschleiß von Ersatzteilen
 - unangemessene Nutzung, Überlastung des Geräts
 - Nutzung nicht genehmigter Zubehörteile oder Ersatzteile
 - Regelmäßige Einstellung oder Wartungsreinigung des Vergasers
 - Komponenten (Ersatzteile und Zubehörteile), die natürlichem Verschleiß unterliegen, einschließlich, aber nicht begrenzt auf Service- und Wartungssets, Kohlebürsten, Lager, Spannvorrichtungen, SDS-Bohreraufnahme /Bit-Adapter, Netzkabel, Zusatzhandgriff, Transportkoffer, Schleifplatten, Staubbeutel, Staubabführungen, Filzunterlegscheiben, Bolzen und Federn von Schlagschraubern, einschließlich, aber nicht beschränkt auf Fadenköpfe, Antriebsriemen, Kupplungen, die Klängen von Heckschere oder Rasenmäher, Kabelstränge, Gaszüge, Zinken, Steckbolzen, Lüfter, Saug- und Gebläserohre oder Düsen, Fangsäcke und Gurte, Führungsschienen, Sägeketten, Schläuche, Verbinder, Sprühdüsen, Räder, Sprühstäbe, innere Rollen, äußere Rollen, Schneidfäden, Zündkerzen, Luftfilter, Benzin-/ Ölfilter, Häcksel- Messer usw.
- Zum Service muss das Gerät zu einer von RYOBI autorisierten Servicestation gebracht oder dorthin geschickt werden. Die Servicestationen für die einzelnen Länder sind in der folgenden Liste aufgeführt. In einigen Ländern sendet Ihr RYOBI-Handler vor Ort das Gerät an das RYOBI-Serviceunternehmen. Beim Einsenden an die RYOBI-Servicestation sollte das Gerät sicher verpackt sein, ohne gefährliche Inhalte wie Benzin, und es sollte mit der Adresse des Absenders und einer kurzen Beschreibung des Fehlers versehen sein.
- Eine Reparatur bzw. ein Ersatz gemäß dieser Garantie ist kostenlos. Hieraus ergibt sich weder eine Garantieverlängerung noch der Beginn eines neuen Garantiezeitraums. Die ausgetauschten Ersatzteile oder Werkzeuge gehen in unser Eigentum über. In einigen Ländern müssen die Zustellgebühren oder die Versandkosten vom Absender gezahlt werden. Ihre gesetzlichen Rechte aus dem Kauf des Geräts bleiben hiervon unberührt.
- Diese Garantie gilt in der Europäischen Union, der Schweiz, Island, Norwegen, Liechtenstein, der Türkei und Russland. Bitte wenden Sie sich außerhalb dieser Gebiete an Ihren autorisierten RYOBI-Händler, um festzustellen, ob eine andere Garantie gilt.

AUTORSIERTER KUNDENDIENST

Besuchen Sie <http://de.ryobitools.eu/header/service-and-support/service-agents>, um einen autorisierten Kundendienst in Ihrer Nähe zu finden.

ES CONDICIONES DE APLICACIÓN DE LA GARANTÍA DE RYOBI®

Además de cualquier derecho legal derivado de la compra, este producto está cubierto por una garantía que se indica a continuación.

- El periodo de garantía es de 24 meses para consumidores y comienza en la fecha en que se comprara el producto. Dicha fecha debe documentarse con una factura u otro comprobante de compra. El producto está diseñado y concebido únicamente para el uso privado del consumidor. Por lo tanto, no se ofrece garantía en caso de uso profesional o comercial.
- Existe la posibilidad de ampliar el periodo de garantía respecto a una parte de la gama de herramientas de jardinería (CA/CC) durante el periodo descrito más arriba y mediante el registro en el sitio web www.ryobitools.eu. La elegibilidad de las herramientas para que se amplie el periodo de garantía se muestra claramente en las tiendas o en el embalaje y está incluida en la documentación del producto. El usuario final tiene que registrar en línea sus herramientas recientemente adquiridas en un plazo de 30 días a partir de la fecha de compra. El usuario final podrá registrarse para obtener la garantía ampliada en su país de residencia si este aparece en la lista del formulario de registro en línea cuando esta opción sea válida. Además, los usuarios finales deberán dar su consentimiento al almacenamiento de los datos necesarios para el acceso en línea y tienen que aceptar los términos y condiciones. El recibo de confirmación de registro, que se envía por correo electrónico, y la factura original que muestra la fecha de compra servirán como comprobante para la garantía ampliada.
- La garantía cubre todos los defectos del producto durante el periodo de garantía debido a fallos de mano de obra o material en la fecha de compra. La garantía se limita a la reparación o sustitución y no incluye ninguna otra obligación como, por ejemplo, daños accidentales o consecuentes. La garantía no es válida si se ha usado mal el producto, se ha usado contraviniendo el manual de instrucciones o se ha conectado de forma incorrecta. Esta garantía no es aplicable a:
 - ningún daño en el producto que sea consecuencia de un mantenimiento inadecuado
 - ningún producto que haya sido alterado o modificado
 - ningún producto en el que los marcados de identificación originales (marca comercial, número de serie) se hayan borrado, modificado o eliminado
 - ningún daño provocado por no seguir el manual de instrucciones
 - ningún producto que no sea CE
 - ningún producto que haya sufrido un intento de reparación por parte de un profesional no cualificado o sin la autorización previa de Techtronic Industries.
 - ningún producto conectado a un suministro eléctrico inadecuado (amperios, voltaje, frecuencia)
 - ningún producto usado con una mezcla de combustible inadecuada (combustible, aceite, porcentaje de aceite)
 - ningún daño causado por influencias externas (químicas, físicas, impactos) o sustancias extrañas
 - desgaste normal de piezas de repuesto
 - uso inadecuado, sobrecarga de la herramienta
 - uso de accesorios o piezas no aprobados
 - Cualquier ajuste periódico o limpieza de mantenimiento de los carburadores
 - Componentes (piezas y accesorios) sujetos al desgaste natural incluyendo, entre otros, pomos de golpes, correas de transmisión, embragues, cuchillas de cortasetos o cortacésped, ameses, cable del acelerador, escobillas de carbono, cables eléctricos, púas, discos de fieltro, pasadores de enganche, ventiladores de soplador, tubos de aspiración y de soplado, bolsas y correas de aspiración, barras guías, cadenas de sierra, mangueras, herrajes de conectores, boquillas pulverizadoras, ruedas, lanzas pulverizadoras, bobinas interiores, carretes exteriores, líneas de corte, bujías, filtros de aire, filtros de gas, cuchillas de compostaje, etc.
- Para su mantenimiento, el producto debe enviarse o presentarse a una estación de servicio de RYOBI autorizada que figure en la siguiente lista de direcciones de estaciones de servicio por países. En algunos países, su distribuidor RYOBI local se responsabiliza de enviar el producto a la compañía de servicio de RYOBI. Cuando se envíe un producto a una estación de servicio de RYOBI, este debe estar empaquetado de forma segura sin contenidos peligrosos como gasolina, marcado con la dirección del remitente y acompañado de una breve descripción del fallo.
- Una reparación / sustitución con esta garantía es gratuita. No constituye una ampliación ni un nuevo comienzo del periodo de garantía. Las piezas o herramientas intercambiadas pasan a ser de nuestra propiedad. En algunos países, los gastos de envío o correo tendrá que pagarlos el remitente. Sus derechos legales derivados de esta compra de la herramienta no se verán afectados.
- Esta garantía es válida en la Unión Europea, Suiza, Islandia, Noruega, Liechtenstein, Turquía y Rusia. Fuera de estas zonas, póngase en contacto con su distribuidor de RYOBI autorizado para determinar si es aplicable otra garantía.

SERVICIO TÉCNICO AUTORIZADO

Para encontrar el servicio técnico autorizado más cercano, visite <http://es.ryobitools.eu/header/service-and-support/service-agents>.

IT CONDIZIONI DI VALIDITÀ DELLA GARANZIA RYOBI®

In aggiunta ai diritti di legge risultanti dall'acquisto, il prodotto è coperto dalla garanzia sotto descritta.

1. Il periodo di garanzia è di 24 mesi per i consumatori, a decorrere dalla data di acquisto del prodotto. La data deve essere documentata da una fattura o altra prova d'acquisto. Il prodotto è progettato e destinato solo all'utilizzo privato dei consumatori. Pertanto non viene fornita alcuna garanzia in caso di uso professionale o commerciale.
2. Per una serie di utensili da giardino (CA/CC) è possibile prolungare il periodo di garanzia oltre quello descritto, registrandosi sul sito web www.ryobitools.eu. Gli utensili per i quali è possibile prolungare il periodo di garanzia sono chiaramente indicati nei negozi e/o sulle confezioni e nella documentazione dei prodotti. L'utente deve registrare online l'utensile acquistato entro 30 giorni dalla data di acquisto. L'utente può registrarsi per la garanzia prolungata nel proprio paese di residenza, se questo è elencato nel modulo di registrazione online dove questa opzione sia valida. Inoltre gli utenti devono fornire il proprio consenso alla conservazione dei dati da immettere online e devono accettare le condizioni generali. La conferma di registrazione, inviata tramite e-mail, e la fattura originale indicante la data di acquisto, costituiranno la prova della garanzia prolungata.
3. La garanzia copre tutti i difetti del prodotto durante il periodo di garanzia, risultati da manodopera o materiali alla data di acquisto. La garanzia è limitata alla riparazione e/o sostituzione e non include alcun altro obbligo quali, a mero titolo esemplificativo, i danni incidentali o consequenziali. La garanzia non è valida se il prodotto è stato usato scorrettamente, in modo contrario al manuale di istruzioni o se è stato collegato in modo errato. La garanzia non è valida per:
 - qualsiasi danno al prodotto dovuto a manutenzione errata;
 - qualsiasi prodotto che sia stato alterato o modificato;
 - qualsiasi prodotto le cui marcature di identificazione originali (marchi di fabbrica, numero di serie) siano state cancellate, alterate o rimosse;
 - qualsiasi danno causato dalla non osservanza delle istruzioni del manuale;
 - qualsiasi prodotto privo di omologazione CE;
 - qualsiasi prodotto che sia stato sottoposto a un tentativo di riparazione da parte di un professionista non qualificato oppure senza la previa autorizzazione di Techtronic Industries;
 - qualsiasi prodotto collegato a un'alimentazione errata (per ampere, tensione, frequenza);
 - qualsiasi prodotto usato con una miscela di carburante errata (carburante, olio, percentuale di olio);
 - qualsiasi danno causato da influenze esterne (chimiche, fisiche, urti) o sostanze estranee;
 - la normale usura delle parti di ricambio;
 - uso inappropriato, sovraccarico dell'utensile;
 - uso di accessori o parti non omologate;
 - qualsiasi regolazione periodica o pulizia di manutenzione dei carburatori;
 - componenti (parti e accessori) soggetti alla normale usura compresi, a mero titolo esemplificativo, testine a filo, cinghie di trasmissione, frizioni, lame di tagliasiapa o tagliaerba, imbragature, cavi di accelerazione, spazzole al carbonio, cavi di alimentazione, denti, rondelle di feltro, perni di aggancio, ventole dei soffiatori, tubi di soffiatori e aspiratori, sacchetti e cinghie per aspirapolvere, barre guida, catene per seghe, tubi, raccordi di connessione, ugelli di spruzzo, ruote, erogatori, bobine interne ed esterne, linee di taglio, candele, filtri dell'aria, filtri del gas, lame per mulching ecc.
4. Per la manutenzione il prodotto dev'essere spedito o portato presso uno dei centri assistenza autorizzati RYOBI elencati per ogni paese nel seguente elenco di indirizzi dei centri. In alcuni paesi il rivenditore locale RYOBI si incarica di inviare il prodotto all'organizzazione di assistenza RYOBI. Quando si invia un prodotto a un centro assistenza RYOBI, imballarlo in modo sicuro senza contenuti pericolosi come la benzina, apporre l'indirizzo del mittente e accompagnarlo da una breve descrizione del guasto.
5. La riparazione/sostituzione ai sensi della presente garanzia è gratuita. Non costituisce un prolungamento o un nuovo inizio del periodo di garanzia. Le parti o gli utensili scambiati diventano di nostra proprietà. In alcuni paesi i costi di consegna o di spedizione postale devono essere pagati dal mittente. I diritti di legge derivanti dall'acquisto dell'utensile rimangono inalterati.
6. La presente garanzia è valida in Unione Europea, Svizzera, Islanda, Norvegia, Liechtenstein, Turchia e Russia. Al di fuori di tali aree contattare il rivenditore autorizzato RYOBI per sapere se è valida un'altra garanzia.

CENTRO SERVIZI AUTORIZZATO

Per individuare il più vicino centro servizi autorizzato, visitare il sito <http://it.ryobitools.eu/header/service-and-support/service-agents>.

NL RYOBI® GARANTIEVOORWAARDEN

Naast de wettelijke rechten die voortvloeien uit de aankoop, wordt dit product gedekt door een garantie, zoals hieronder staat vermeld.

1. De garantietermijn voor consumenten bedraagt 24 maanden en gaat in op de datum waarop het product is gekocht. Deze datum moet worden gedocumenteerd met een factuur of een ander aankoopbewijs. Het product is uitsluitend ontworpen en bedoeld voor persoonlijk gebruik door consumenten. Er wordt dus geen garantie gegeven voor professioneel of commercieel gebruik.
2. Voor een deel van ons aanbod van tuingeredschappen (AC/DC) is het mogelijk om de garantietermijn te verlengen over de boven beschreven termijn, met behulp van de website www.ryobitools.eu. De gereedschappen die in aanmerking komen voor de verlenging van de garantietermijn wordt duidelijk weergegeven in winkels en/of verpakkingen en staat beschreven in de productdocumentatie. De eindgebruiker moet zijn/haar nieuw gekochte gereedschappen binnen 30 dagen na aankoop online registreren. De eindgebruiker kan zich registreren voor de verlengde garantietermijn als zijn woonland staat vermeld op het online registratieformulier waar deze optie geldig is. Bovendien moeten eindgebruikers toestemming geven voor de opslag van de gegevens die online ingevuld moeten worden en moeten ze de algemene voorwaarden accepteren. Het ontvangstbewijs van de registratie, dat per e-mail wordt verzonden en de oorspronkelijke factuur met de aankoopdatum vormt het bewijs van de verlengde garantietermijn.
3. De garantie deckt tijdens de garantietermijn alle gebreken van het product vanwege defecten in vakmanschap of materiaal op de aankoopdatum. De garantie is beperkt tot reparatie en/of vervanging en bevat geen andere verplichtingen, waaronder maar niet beperkt tot incidentele of gevolgschade. De garantie is niet geldig als het product is misbruikt, in strijd met de gebruiksaanwijzing wordt gebruikt of onjuist is aangesloten. Deze garantie geldt niet voor:
 - alle schade aan het product die het gevolg is van onjuist onderhoud
 - elk product dat is veranderd of aangepast
 - elk product waar de oorspronkelijke identificatie (handelsmerk, serienummer) is beschadigd, gewijzigd of verwijderd
 - alle schade die is veroorzaakt door het niet opvolgen van de gebruiksaanwijzing
 - elk niet-CE-product
 - elk product waar een poging tot reparatie is gedaan door een niet-erkende professional of zonder voorafgaande toestemming door Techtronic Industries.
 - elk product dat is verbonden met een verkeerde voeding (amperage, spanning, frequentie)
 - elk product dat wordt gebruikt met een verkeerd brandstofmengsel (brandstof, olie, oliegehalte)
 - alle schade die is veroorzaakt door externe invloeden (chemisch, fysisch, schokken) of vreemde stoffen
 - normale slijtage van reserveonderdelen
 - ongepast gebruik, overbelasting van het gereedschap
 - gebruik van niet-goedgekeurde accessoires of onderdelen
 - Alle periodieke aanpassingen aan of het onderhoud en reiniging van carburateurs
 - Componenten (onderdelen en accessoires) die onderhevig zijn aan natuurlijke slijtage, waaronder maar niet beperkt tot stookknoppen, aandrijfriemen, koppelingen, messen van hegtrimmers of grasmaaiers, harnas, gaskabel, koolstofborstels, stroomsoeren, tanden, vilttringen, koppelingsspannen, blazers, blaas- en zuigbuizen, zuigzakken en-riemen, geleidingsstaven, zaagkettingen, slangen, koppelingen, mondstukken, wielen, spuitstokken, binnenhaspels, buitenhaspels, snijdraden, bougies, luchtfilters, gasfilters, maaimessen, etc.
4. Voor onderhoud moet het product worden verzonden of gebracht naar een erkend servicestation van RYOBI die voor elk land staan vermeld in de volgende lijst met adressen voor servicestations. In sommige landen zal uw lokale RYOBI-dealer het product verzenden naar de RYOBI-serviceorganisatie. Wanneer u het product naar een servicestation van RYOBI verzendt, moet het product veilig worden verpakt zonder enige gevaarlijke inhoud, zoals benzine, met het adres van de afzender en vergezeld van een korte beschrijving van het defect.
5. Een reparatie/vervanging die onder deze garantie valt is gratis. Het vormt geen verlenging of een nieuwe start van de garantietermijn. Verwisselde onderdelen of gereedschappen worden ons eigendom. In sommige landen moeten de verzendkosten door de afzender worden betaald. Uw wettelijke rechten die voortvloeien uit de aankoop van het gereedschap blijven onaangetaast.
6. Deze garantie is geldig in de Europese Gemeenschap, Zwitserland, IJsland, Noorwegen, Liechtenstein, Turkije en Rusland. Buiten deze gebieden moet u contact opnemen met uw erkende RYOBI-dealer om vast te stellen of er een andere garantie van toepassing is.

GEAUTORISEERD ONDERHOUDSCENTRUM

Om een geautoriseerd onderhoudscentrum in uw buurt te vinden, surf u naar <http://nl.ryobitools.eu/header/service-and-support/service-agents>.

PT CONDIÇÕES DE APLICAÇÃO DA GARANTIA RYOBI®

Para além de quaisquer direitos previstos por lei resultantes da compra, este produto está coberto por uma garantia conforme descrição abaixo.

- O período da garantia é de 24 meses para consumidores particulares e inicia-se na data de compra do produto. Esta data tem de ser documentada por uma factura ou por outra prova de compra. O produto foi concebido para e destina-se apenas a consumidores particulares e uso privado. Assim, não é dada garantia em caso de utilização por profissionais ou uso comercial.
- Para uma parte da gama de ferramentas de jardim (AC/DC) existe a possibilidade de prolongamento do período da garantia para além do período descrito acima, mediante registo no Web site www.ryobitools.eu. A elegibilidade das ferramentas para prolongamento do período da garantia é claramente visível nas lojas e/ou nas embalagens e está contida na documentação do produto. O utilizador final tem de fazer o registo online das suas ferramentas recém-adquiridas no prazo de 30 dias após a data de compra. O utilizador final pode fazer o registo para prolongamento da garantia no seu país de residência, desde que esteja listado no formulário de registo online e para os casos em que esta opção seja válida. Para além disso, os utilizadores finais têm de autorizar o armazenamento dos dados cujo preenchimento lhes for solicitado online e têm de aceitar os termos e as condições. O recibo de confirmação do registo é enviado por e-mail e, em conjunto com a factura original ostentando a data de compra, servirá de prova do prolongamento da garantia.
- A garantia cobre todos os defeitos do produto durante o período da garantia devidos a defeitos de fabrico ou de material à data da compra. A garantia está limitada à reparação e/ou substituição e não inclui quaisquer outras obrigações, incluindo mas não se limitando a, perdas complementares ou indirectas. A garantia não é válida se o produto tiver sido utilizado incorrectamente, utilizado de forma contrária ao Manual de Instruções ou se as respectivas ligações tiverem sido feitas incorrectamente. Esta garantia não se aplica ao seguinte:
 - quaisquer danos ao produto que sejam resultado de manutenção incorrecta
 - qualquer produto que tenha sido alterado ou modificado
 - qualquer produto cujas marcações de identificação de origem (marca comercial, número de série) tiverem sido apagadas, alteradas ou retiradas
 - quaisquer danos causados pelo incumprimento do Manual de Instruções
 - qualquer produto que não seja da Comunidade Europeia
 - qualquer produto ao qual tenha sido feita, ou tentada fazer, uma reparação por outra pessoa que não um profissional habilitado ou sem autorização prévia de Techtronic Industries.
 - qualquer produto ligado a uma fonte de alimentação eléctrica incorrecta (Amperes, Voltagem e Frequência)
 - qualquer produto utilizado com uma mistura de combustível incorrecta (combustível, óleo, percentagem de óleo)
 - qualquer dano causado por influências externas (químicas, físicas, impactos) ou substâncias estranhas
 - desgaste e degradação normal de sobresselentes
 - utilização incorrecta, sobrecarga da ferramenta
 - utilização de acessórios ou peças não aprovados
 - quaisquer ajustes periódicos a, ou limpeza de manutenção de, carburadores
 - Componentes (peças e acessórios) sujeitos a desgaste e degradação natural, incluindo mas não se limitando a, maçanetas anti-choque, correntes de transmissão, embraiagens, lâminas de recortadores de sebes ou corta-relvas, ameses, cabos de acelerador, escovas de carvão, cabos eléctricos, dentes, anilhas de feltro, pinos de engate, ventoinhas do soprador, tubos do soprador e do aspirador, cintas e sacos do aspirador, barras de guia, correntes de serra, mangueiras, peças de ligação, bocais de pulverização, rodas, varinhas de pulverização, bobinas interiores, bobinas exteriores, linhas de corte, velas de ignição, filtros do ar, filtros de gasolina, lâminas trituradoras, etc.
- Para assistência, o produto tem de ser enviado para, ou apresentado em, um posto de assistência autorizado RYOBI, conforme listado para cada país na lista de moradas de postos de assistência seguinte. Nalguns países, o seu concessionário RYOBI local encarrega-se de enviar o produto para a organização de assistência RYOBI. Quando enviar um produto para um posto de assistência RYOBI, o produto deve ser embalado de forma segura, sem conter nenhuns conteúdos perigosos (por exemplo, gasolina), marcado com o endereço do remetente e acompanhado por uma breve descrição da avaria.
- Uma reparação/substituição ao abrigo desta garantia é gratuita. Não constitui um prolongamento a, nem um novo início de, o período da garantia. As peças ou ferramentas substituídas tornam-se propriedade nossa. A garantia não terá de pagar os custos de entrega ou a remessa postal. Os seus direitos previstos por lei resultantes da compra da ferramenta mantêm-se inalterados
- Esta garantia é válida na Comunidade Europeia, Suíça, Islândia, Noruega, Liechtenstein, Turquia e Rússia. Fora destas áreas, entre em contacto com o seu concessionário autorizado RYOBI para determinar se existe outra garantia aplicável.

CENTRO DE ASSISTÊNCIA AUTORIZADO

Para encontrar um centro de assistência autorizado próximo de si, visite <http://pt.ryobitools.eu/header/service-and-support/service-agents>.

DA RYOBI® BETINGELSER FOR GARANTI

Udover lovbestemte rettigheder, som resulterer af købet, er dette produkt dækket af en garanti, som anført herunder.

- Garantiperioden er 24 måneder for forbrugere og begynder på den dato, som produktet blev købt. Denne dato skal dokumenteres af en faktura eller andet bevis for køb. Produktet er udelukkende designet og dedikeret til forbrugere og privat brug. Så der ydes ingen garanti i tilfælde af professionel eller kommerciel brug.
- Der er en mulighed for at forlænge garantiperioden for en del af udvalget af haveværktøj (AC/DC), hen over den ovenfor beskrevne periode vha. registrering på hjemmesiden www.ryobitools.eu. Betræffende af værktøjet til forlængelse af garantiperioden er tydeligt vist i butikker og/eller på emballage/og indeholdt i produktokumentationen. Slutbrugeren skal registrere hans/hendes nyligt indkøbt værktøj online indenfor 30 dage efter købsdatoen. Slutbrugeren kan registrere sig for den forlængede garanti i sit land, hvis han/hun er opført på den online registreringsformular, hvor denne mulighed er gyldig. Derudover skal slutbrugere give deres samtykke til at opbevare data, som er påkrævet at indtaste online, og de er nødt til at acceptere vilkår og betingelser. Registreringsbekræftelseskvitteringen, som sendes ud på e-mail, og den originale faktura, som viser købsdatoen, vil fungere som bevis for den forlængede garanti.
- Garantien dækker alle defekter, som et produkt måtte have i løbet af garantiperioden, og som skyldes produktionsfejl eller materialefejl på købsdatoen. Garantien er begrænset til reparation og/eller udskidning og inkluderer ikke andre forpligtelser, inklusiv men ikke begrænset til tilfældige skader eller følgeskader. Garantien er ugyldig, hvis produktet er blevet misbrugt, brugt uden at overholde vejledningen, eller det er blevet forkert tilsat. Denne garanti gælder ikke:
 - Beskadigelse af produktet, som er et resultat af uegnet vedligeholdelse
 - Et produkt der er blevet ændret eller modificeret
 - Et produkt hvor de originale identifikationsmærkninger (varemærke, serienummer) er blevet ødelagt, ændret eller fjernet
 - Enhver beskadigelse forårsaget af manglende overholdelse af vejledningen
 - Ethvert ikke CE-produkt
 - Ethvert produkt som er blevet forsøgt repareret af en ukvalificeret professionel eller uden tidligere autorisation af Techtronic Industries.
 - Ethvert produkt som er tilsat uegnet strømforsyning (ampere, spænding, frekvens)
 - Ethvert produkt som bruges med uegnet brændstofblanding (brændstof, olie, procentdel olie)
 - Enhver skade forårsaget af ekstern påvirkning (kemisk, fysisk, chok) eller fremmedelementer
 - Normal slid på reservedele
 - Uegnet brug, overbelastning af værktøjet
 - Brug af ikke-godkendt tilbehør eller dele
 - Alle regelmæssige justeringer eller vedligeholdelsesrensning af karburatorer
 - Komponenter (dele og tilbehør) som er udsat for naturlig slid og ælde, inklusiv men ikke begrænset til drejeknapper, drivrem, greb, klinger til hækkeklippere eller plæneklippere, sele, kabel gasspæld, kulbørster, elledning, tænder, filterskiver, ophængstæpper, blæseventilatorer, slænger og sugeslanger, sugepose og stropper, styrestænger, savkæder, slanger, forbindelsespakninger, sprøjtedyser, hjul, sprøjtestænger, indvendige ruller, udvendige ruller, udvendige spoler, skærelinjer, tænder, luftfilter, gasfilter, tildækningsblade etc.
- For eftersyn skal produktet sendes til eller præsenteres for en RYOBI-autoriseret service værksted, som er oplyst for hvert land i den følgende liste over service værksted adresser. I nogle lande påtager din lokale RYOBI-forhandler sig ansvaret for at sende produktet til RYOBI-serviceorganisationen. Når et produkt sendes til en RYOBI-service værksted, skal det pakkes sikkert ind uden noget farligt indhold som benzin, mærkes med afsenderens adresse og med en kort beskrivelse af fejlen.
- En reparation/erstating under denne garanti er gratis. Den udgør ikke en forlængelse eller en ny start på garantiperioden. Udvekslede dele eller værktøjer bliver vores ejendom. I nogle lande skal leveringsafgifter eller porto betales af afsenderen. Dine lovbestemte rettigheder i forbindelse med købet forbliver uanfægtede
- Denne garanti gælder i EU, Schweiz, Island, Norge, Liechtenstein, Tyrkiet og Rusland. Udenfor disse områder bedes du kontakte din autoriserede RYOBI-forhandler for at afgøre, om en anden garanti gælder.

AUTORIZERED SERVICEVÆRKSTEDER

Find nærmeste autoriserede serviceværksted på <http://dk.ryobitools.eu/header/service-and-support/service-agents>.

SV RYOBI® ANVÄNDNINGSVILLKOR FÖR GARANTI

Forutom eventuelle lagstadgde rettigheter som oppstår genom kjøpet, tåkes den här produkten av en garanti som anges nedan.

1. Garantiperioden är 24 månader för konsumenter och börjar gälla från det datum då produkten köptes. Detta datum måste dokumenteras på en faktura eller annat köpbevis. Produkten är utformad och avsedd för konsumenter och privat bruk. Därmed tillhandahålls ingen garanti vid yrkesmässigt eller kommersiellt bruk.
2. Det finns möjlighet att förlänga garantiperioden för en del av utbudet för trädgårdsverktyg (AC/DC) under den period som anges ovan genom att använda registreringen på webbplatsen www.ryobitools.eu. De verktyg som är berättigade till en förlängning av garantiperioden visas tydligt i butiker och/eller på förpackningen/och anges i produktdokumentationen. Slut användaren behöver registrera hans/hennes nyförvärvade verktyg online inom 30 dagar från köpdatumet. Slut användaren kan registrera sig för den förlängda garantin i det land där han/hon bor om landet finns angivet i registreringsformuläret online och där detta alternativ är giltigt. Dessutom måste slut användaren ge sitt medgivande till lagring av data vilket krävs vid registrering online samt acceptera villkoren. Bekräftelsekvittot för registreringen som skickas ut via e-post och originalfakturan som visar köpdatumet kommer att gälla som bevis för den förlängda garantin.
3. Garanti täcker alla produktdefekter under garantiperioden som beror på brister i utförande eller material vid köpdatumet. Garanti är begränsad gällande reparation och/eller utbyte och inkluderar inte några skyldigheter inklusive men inte begränsat till oförutsedda skador eller följdskador. Garanti är inte giltig om produkten har missbrukats, använts i strid med bruksanvisningen eller inte anslutits på rätt sätt. Denna garanti täcker inte:
 - eventuella skador på produkten som uppstått till följd av felaktigt underhåll
 - produkter som har ändrats eller modifierats
 - produkter där ursprungliga identifieringsmärkningar (varumärke, serienummer) har målats över, ändrats eller tagits bort
 - eventuella skador som uppstått till följd av att bruksanvisningen inte efterföljts
 - alla icke CE-produkter
 - eventuella produkter som har försökts repareras av en icke-kvalificerad yrkesman eller utan föregående medgivande från Techtronic Industries.
 - eventuella produkter som anslutits till felaktig strömförsörjning (ampere, volt, frekvens)
 - eventuella produkter som använts med olämplig bränsleblandning (bränsle, olja, oljeprocent)
 - eventuella skador som uppstått till följd av yttre påverkan (kemisk, fysisk, stötar) eller främmande ämnen
 - normalt slitage av reservdelar
 - olämplig användning, överbelastning av verktyget
 - användningen av icke-godkända tillbehör eller delar
 - Eventuella periodiska justeringar av eller vid underhållsrengöring av förgasare
 - Komponenter (delar och tillbehör) är föremål för naturligt slitage, inklusive men inte begränsat till tryckknappar, drivremmar, koppling, blad till kantrimrar eller gräsklippare, sele, gasreglageväj, kolborstar, strömladd, spetsar, filtrickor, kopplingsprint, blåsfäkt, blås- och sugrör, sugpåse och remmar, styrskenor, sägkedjor, slangar, anslutningsdonrör, spraymunstycken, hjul, spraystavar, innerrullar, ytterspolar, skärtråd, tändstift, luftfilter, gasfilter, sönderdelningsblad osv.
4. Vid service måste produkten skickas eller uppvisas för en RYOBI- auktoriserad servicestation som står angiven för varje land i följande adresslista över servicestationer. I vissa länder tar din lokala RYOBI- återförsäljare på sig ansvaret att skicka produkten till RYOBI- serviceorganisationen. När en produkt skickas till en RYOBI- servicestation, ska produkten paketeras säkert utan något farligt innehåll såsom bensin, markeras med avsändarens adress samt en kort beskrivning av felet.
5. En reparation/ett utbyte under denna garanti är kostnadsfri. Det utgör inte en förlängning eller förnyelse av garantiperioden. Utbyta delar eller verktyg blir vår egendom. I vissa länder måste leveranskostnader eller porto betalas av avsändaren. Dina lagstadgade rättigheter som härrör från köpet av verktyget förblir opåverkade
6. Denna garanti är giltig i Europeiska gemenskapen: Schweiz, Island, Norge, Liechtenstein, Turkiet och Ryssland. Utanför dessa länder, kontakta din auktoriserade RYOBI-återförsäljare för att avgöra om en annan garanti gäller.

AUKTORISERAT SERVICECENTER

Du hittar närmaste auktoriserade servicecenter genom att gå till <http://se.ryobitools.eu/header/service-and-support/service-agents>.

FI RYOBI® TAKKUUN SOVELTAMISEHDOT

Tällä tuotteella on oston luomien lakisääteisten oikeuksien ohella alla mainitun mukainen takuu.

1. Takuu kesto on kuluttajille 24 kuukautta ja takuu aika alkaa tuotteen ostopohjasta. Tämän päivämäärän tulee lukea laskussa tai muussa ostopohjasta. Tuote on suunniteltu ja tarkoitettu vain kuluttajien ja yksityiseen käyttöön. Takuu ei siis kata ammatti- eikä kaupallista käyttöä.
2. Joidenkin puutarhatyökalujen (AC/DC) takuu kesto on mahdollista laajentaa yllä mainittua kestoa pidemmäksi verkkoisuusvuston www.ryobitools.eu rekisteröinnin kautta. Työkalujen kelpoisuus takuujakson laajennukseen näkyy selkeästi myymälöissä ja/tai pakkaussissa ja/tai tämä tieto sisältyy tuotedokumentaation. Loppukäyttäjän täytyy rekisteröidä vasta hankittu työkalut internetissä 30 päivän kuluessa ostopäivämäärästä. Loppukäyttäjää voi rekisteröidä laajennettuun takuu kotimaassaan, jos se on luettuna online-rekisteröintilomakkeessa, jossa mainitaan, missä tämä vaihtoehto on voimassa. Loppukäyttäjien täytyy lisäksi hyväksyä tietojen tallennus, jotka heidän täytyy antaa online-tilassa sekä ehdot. Rekisteröinnin vahvistuskutti, joka lähetetään sähköpostitse, ja alkuaperiäinen ostopäivämäärän ilmaiseva lasku toimivat laajennettuun takuu tositteina.
3. Takuu kattaa kaikki tuotteen takuuajana tulevat viat, joiden aiheuttajina ovat tuotteessa ostopäivänä olleet valmistus- tai materiaali-viat. Takuu on rajoitettu korjaukseen ja/tai vaihtoon eikä se sisällä mitään muita velvoitteita mukaan lukien satunnais- ja seuranäisvaihintoja, mutta rajoittumatta niihin. Takuu ei päde, jos tuotetta on käytetty väärin, käyttöohjeen vastaisesti tai jos se on liitetty virheellisesti. Tämä takuu ei kata:
 - virheellisesti huollostu johtuvia vaurioita
 - muunnettua tai muutettua tuotetta
 - tuotetta, jonka alkuaperiäiset tunnustemerkinnot (tavaramerkki, sarjanumero) on turmeltu, muutettu tai poistettu
 - tämän käyttöoppaan laiminlyönnistä johtuvia vaurioita
 - ei-CE-tuotetta
 - tuotetta, jota on yrittänyt korjata epäpätevä ammattilainen tai joka on korjattu ilman Techtronic Industriesin ennakkolupa.
 - tuotetta, joka on liitetty virheelliseen teholahteeseen (ampeerit, jännite, taajuuks)
 - tuotetta, jossa on käytetty väärää polttoaineseosta (polttoaine, öljy, öljyprosentti)
 - ulkoisten vaikutusten (kemiallinen, fyysinen, iskut) tai vieraiden aineiden aiheuttamaa vauriota
 - normaaleja kuluja varaosia
 - virheellistä käyttöä, työkalun ylikuormitusta
 - ei-hyväksytyjen tarvikkeiden tai osien käyttöä
 - Kaasutintien säännöllistä säätöä tai ylläpidettävää puhdistusta
- Luonnollisesti kuluvia komponentteja (osia tai tarvikkeita), joihin sisältyvät puskunupit, käyttöihinat, kytkin, pensasleikkuriin tai ruohonleikkuriin terät, valjaat, kaasuvaijeri, hiiharijat, virtajohto, piikit, huopatiivisteet, sokkapatit, puhallinten tuuletin, puhallin- ja imputket, imuriin säkit ja ihinat, terälevyt, sahankeijut, letkut, liittosuut, suihkusuihuttimet, pyörät, ruiskutusputket, sisä- ja ulkokelat, leikkusuimat, hehkutulpat, ilmansuodatimet, kaasunsuodatimet, silpputerät yms. näihin kuitenkin rajoittumatta.
4. Tuote on lähetettävä huollettavaksi valtuutettuun RYOBI-huoltoon tai näytettävä siellä. Niiden osoitteet kussakin maassa löytyvät seuraavasta luettelosta. Joissakin maissa paikallinen RYOBI-jälleenmyyjä huolehtii tuotteen lähetyksestä RYOBI-huolto-organisaatioon. Kun tuote lähetetään RYOBI-huoltoon, se täytyy pakata hyvin ilman vaarallisia aineita, kuten polttoainetta, ja pakkaukseen täytyy merkitä lähettäjän nimi sekä vian lyhyt kuvaus.
5. Takuun kattama korjaus/vaihto on maksuton. Se ei tarkoita takuuajan laajennusta tai alkamista alusta. Vaihdetut osat tai työkalut siirtyvät valmistajan omistukseen. Joissakin maissa lähettäjän täytyy maksaa lähetyskustannukset tai postikulut. Työkalun oston luomat lakisääteiset oikeudet pysyvät koskemattomina
6. Tämä takuu on voimassa Euroopan yhteisössä, Sveitsissä, Islannissa, Norjassa, Liechtensteinissa, Turkissa ja Venäjällä. Ota näiden alueiden ulkopuolelta yhteyttä omaan valtuutettuun RYOBI-jälleenmyyjään ja selvitä, onko jotain muuta takuuta.

VALTUUTETTU HUOLTO

Voit etsiä lähimmän valtuutetun huollon sivulta <http://fi.ryobitools.eu/header/service-and-support/service-agents>.

(NO) RYOBI® GARANTIBETINGELSER

I tillegg til eventuelle lovbestemte rettigheter som følger av kjøpet, er dette produktet dekket av en garanti som angitt nedenfor.

1. Garantiperioden er 24 måneder for konsumenter og gjelder fra den datoen som produktet ble kjøpt. Denne datoen skal dokumenteres med en faktura eller annet kjøpsbevis. Produktet er designet og beregnet kun til konsument- og privat bruk. Så det gir ingen garanti ved profesjonell eller kommersiell bruk.
2. For en del av utvalget av hageverktøy (AC/DC) er det mulighet til å utvide garantiperioden i den perioden som er beskrevet ovenfor ved bruk av registreringer på nettside www.ryobitools.eu. Kvalifisering av verktøyene for en utvidelse av garantiperioden er tydelig vist i butikker og 7eller på pakningen / og finnes innen produktdokumentasjonen. Sluttbrukeren må registrere sine nylig anskaffede verktøy online innen 30 dager etter kjøpsdato. Sluttbrukeren kan registrere seg for den utvidede garantien i sitt land hvis det er opplistet på online registreringsskjemaet der dette alternativet er gyldig. Videre må sluttbrukere gi sitt samtykke til oppbevaring av dataene som kreves for å gå online, og de må godta vilkår og betingelser. Registreringsbekreftelsen, som sendes ut på e-post, og den originale fakturaen som viser kjøpsdato, vil tjene som bevis for den utvidede garantien.
3. Garantien dekker alle defekter i produktet under garantiperioden på grunn av defekter i utførelse eller materiale på kjøpsdato. Garantien er begrenset til å reparere og/eller erstatte og inkluderer ikke noen andre forpliktelser, inkludert, men ikke begrenset til, tilfeldig eller følgesmessige skader. Garantien er ikke gyldig hvis produktet har blitt misbrukt, brukt på annen måte enn det som beskrives i bruksanvisningen eller er koblet til på feil måte. Denne garantien gjelder ikke for:
 - enhver skade på produktet som er resultat av utlittekkelig vedlikehold
 - ethvert produkt som har blitt endret eller modifisert
 - ethvert produkt der de originale identifiseringsmerkene (varemerke, serienummer) har blitt uleselig, er endret eller fjernet
 - enhver skade som forårsakes av ikke-overholdelse av instruksjonshåndboken
 - ethvert ikke-CE-produkt
 - ethvert produkt som har blitt forsøkt reparert eller av en ikke-kvalifisert fagperson eller uten tidligere autorisasjon fra Technic Industries.
 - ethvert produkt tilkoblet feil strømforsyning (ampere, spenning, frekvens)
 - ethvert produkt som brukes med feil drivstoffblanding (drivstoff, olje, prosentandel olje)
 - enhver skade som er forårsaket av eksterne påvirkninger (kjemiske, fysiske, støt) eller fremmede stoffer
 - normal slitasje og slitereservedeler
 - feil bruk, overbelastning av verktøyet
 - bruk av ikke-godkjent tilbehør eller deler
 - Eventuelle periodiske justeringer av eller vedlikeholdrensing/ rengjøring av forbrønerne
 - Komponenter (deler og tilbehør) som er underlagt naturlig slitasje, inkludert, men ikke begrenset til bulkknøtter, drivreimer, clutch, blader på hekketrimmere eller gressklippere, seler, kabelspjeld, karbonbørster, strømledning, kniver, feltpakninger, heispinner, blåseviser, blåse- og vakuumslang, vakuumpose og reimer, førerstenger, sagkjeder, strøpmer, koblingsmonteringer, spraydyser, hjul, spraystenger, indre spoler, ytre spoler, kuttelinjer, tennplugg, lufftiltre, gassfilter, mulchingblader osv.
4. For service må produktet sendes eller fremlegges for en RYOBI-autorisert servicestasjon opplistet for hvert land i den følgende listen over servicestasjonsadresser. I noen land sender den lokale RYOBI-forhandleren produktet til RYOBI serviceorganisasjonen. Ved å sende et produkt til en RYOBI servicestasjon skal produktet være sikkert pakket uten noe farlig innhold, slik som bensin, merket med senderens adresse og fulgt av en kort beskrivelse av feilen.
5. En reparasjon/erstatning under denne garantien er gratis. Den utgjør ingen forlengelse eller en ny start av garantiperioden. Utvekslede deler eller verktøy blir vår eiendom. I noen land vil leveringskostnader eller franking måtte betales av senderen. Dine lovbestemte rettigheter som oppstår fra kjøp av verktøyet forblir uberørt.
6. Denne garantien er gyldig i EU, Sveits, Island, Norge, Liechtenstein, Tyrkia og Russland. Utenfor disse områdene ta kontakt med din autoriserte RYOBI-forhandler om en annen garanti gjelder.

AUTORISERT SERVICECENTER

For å finne et autorisert servicecenter i nærheten, gå til <http://no.ryobitools.eu/header/service-and-support/service-agents>.

(RU) УСЛОВИЯ ПРИМЕНЕНИЯ ГАРАНТИИ НА ПРОДУКЦИЮ RYOBI®

Помимо законных прав, возникающих при покупке, данное изделие покрывается гарантией в соответствии с приведенными ниже пунктами.

1. Гарантийный период для покупателя составляет 24 месяца с даты покупки изделия. Дата покупки должна быть подтверждена полностью заполненным гарантийным талоном и чеком о покупке. Данное изделие предназначено только для частного использования покупателем. Поэтому гарантия не распространяется на использование в профессиональных или коммерческих целях.
2. Предусмотрена возможность продления для части изделий линейки садовых инструментов (AC/DC) гарантийного периода с помощью регистрации на сайте www.ryobitools.eu. Право инструмента на продление гарантийного периода четко указано в магазинах и / или на упаковке и содержится в совокупности инструмента документация. Конечный пользователь должен зарегистрировать свой приобретенный инструмент в течение 30 дней с даты покупки. Конечный пользователь может зарегистрировать свой инструмент на продление гарантии в стране своего проживания, если она указана в форме онлайн-регистрации. Кроме того, конечный пользователь должен дать свое согласие на хранение данных, которые необходимо ввести в онлайн-форму и принять правила и условия. Подтверждение регистрации, которое вы получите по электронной почте заполненный гарантийный талон и оригинальный чек, в котором указана дата покупки, будут служить доказательством продленной гарантии.
3. Гарантия покрывает в течение гарантийного периода все дефекты качества материала изделия на дату покупки. Гарантия ограничена ремонтом и / или заменой и не включает никакие другие обязательства, включая, но не ограничиваясь случайными или косвенными убытками. Гарантия становится недействительной, если изделие использовалось не по назначению, вопреки инструкциям, данным в Руководстве пользователя или было неправильно подключено. Настоящая гарантия не распространяется на:
 - любые повреждения изделия в результате неправильного технического обслуживания или недостаточного ухода за инструментом
 - любые изделия, подвергшиеся изменениям и модификации
 - любые изделия, оригинальные идентификационные отметки которого (торговая марка, серийный номер) были повреждены, изменены или удалены
 - любые повреждения, вызванные несоблюдением инструкций Руководства пользователя
 - любые изделия, не сертифицированные маркировкой "CE" для продажи в Европейском союзе
 - любые изделия, подвергшиеся попыткам ремонта неквалифицированным работником или без предварительного утверждения компании Technic Industries.
 - любые изделия, подключенные к неправильному источнику питания (сила тока, напряжение, частота)
 - любые изделия, в которых использовались несоответствующие топливные смеси (топливо, масло, процент масла)
 - любые повреждения, вызванные внешними воздействиями (химические, физические, удары) или посторонними веществами
 - естественный износ запасных деталей
 - несоответствующее использование, перегрузка инструмента
 - использование неутвержденных аксессуаров и неоригинальных запасных деталей
 - любые регулярные регулировки, техническое обслуживание или чистка карбюраторов
 - компоненты (детали и аксессуары), подверженные естественному износу, включая, но не ограничиваясь фиксаторы шулпы приводные ремни, сцепные муфты, лезвия триммеров и газонокосилок, плечевые ремни, кабельный дроссельный регулятор, угловые щетки, кабели питания, зубья, войлочные шайбы, фиксирующие шпильки, вентиляторы воздушходу, трубки воздушходу и пылесоса, мешок для сбора мусора и ремни, пыльные шины, пыльные цепи, шланги, соединительные детали, распылительные насадки, колеса, распылительные переходники, внутренние катушки и шулпы, режущую леску, свечи зажигания, воздушные и топливные фильтры, мульчирующие лезвия и др.
4. Для проведения технического обслуживания изделие следует направлять в авторизованные сервисные центры RYOBI, указанные для каждой страны в приведенном ниже списке адресов станций сервисного обслуживания. В некоторых странах местные дилеры RYOBI отправляют изделия в сервисные организации RYOBI. При отправке изделия в сервисный центр RYOBI, изделие должно быть безопасно упаковано и не содержать никаких опасных веществ, таких как бензин, должен быть подписан адрес отправителя и сопровождается кратким описанием неисправности.
5. Ремонт / замена проводится в рамках настоящей гарантии бесплатно. Он не продлевает гарантию и не изменяет новый гарантийный период. Заменяемые детали и инструменты становятся нашей собственностью. В некоторых странах отправитель должен оплачивать стоимость отправки. Ваши законные права, возникшие при покупке инструмента, остаются неизменными
6. Данная гарантия действительна в Европейском Сообществе, Швейцарии, Исландии, Норвегии, Лихтенштейне, Турции и России. Вне указанных территорий обращайтесь к своему авторизованному дилеру RYOBI, чтобы узнать, применяются ли условия каких-либо других гарантий.

УПОЛНОМОЧЕННЫЙ СЕРВИСНЫЙ ЦЕНТР

Чтобы найти ближайший уполномоченный сервисный центр, обратитесь к веб-сайту <http://ru.ryobitools.eu/header/service-and-support/service-agents>.

PL WARUNKI GWARANCJI RYOBI®

Opórcz praw ustawowych wynikających z zakupu produkt jest objęty gwarancją, której warunki podano poniżej.

- Okres gwarancyjny wynosi 24 miesiące dla konsumentów i rozpoczyna się w dniu zakupu produktu. Datę zakupu należy udokumentować fakturą lub innym dowodem zakupu. Produkt został zaprojektowany i jest przeznaczony do użytku konsumencijskiego i prywatnego. W związku z tym gwarancja nie obejmuje zastosowań profesjonalnych i komercyjnych.
- Istnieje możliwość wydłużenia okresu gwarancyjnego dla części asortymentu narzędzi ogrodniczych (AC/DC) poprzez zarejestrowanie produktu na stronie internetowej www.ryobitools.eu. Kwalifikowalność narzędzi do wydłużenia okresu gwarancyjnego jest wyraźnie określona w sklepach i/lub na opakowaniu oraz w dokumentacji produktu. Użytkownik końcowy musi zarejestrować nowo kupione narzędzia online w ciągu 30 dni od daty zakupu. Użytkownik końcowy może zarejestrować się w celu przedłużenia gwarancji w swoim kraju zamieszkania, jeżeli jest on wymieniony w formularzu rejestracji online, gdzie opcja ta obowiązuje. Ponadto użytkownicy końcowi muszą wyrazić zgodę na przechowywanie danych, wprowadzanych na stronie internetowej i zaakceptować regulamin. Dowodem wydłużenia gwarancji jest wysłane pocztą elektroniczną potwierdzenie rejestracji i oryginalna faktura potwierdzająca datę zakupu.
- Gwarancja obejmuje wszystkie wady produktu ujawnione w okresie gwarancyjny wynikające z usterki wykonania lub materiału obecnego w dniu zakupu. Gwarancja jest ograniczona do naprawy i/lub wymiany i nie obejmuje żadnych innych zobowiązań, w tym między innymi odpowiedzialności za szkody przypadkowe lub wtórne. Gwarancja nie obowiązuje, jeżeli produkt był nieprawidłowo używany, używany niezgodnie z instrukcją lub nie był prawidłowo podłączony. Gwarancja nie obejmuje:
 - uszkodzenia produktu wynikającego z nieprawidłowej konserwacji,
 - produktu, który został zmieniony lub zmodyfikowany,
 - produktu, którego oryginalne oznaczenie (znak towarowy, numer seryjny) zostało zniszczone, zmienione lub usunięte,
 - jakiegokolwiek uszkodzeń wynikających z nieprzestrzegania instrukcji,
 - jakiegokolwiek produktu bez certyfikatu CE,
 - jakiegokolwiek produktu, który próbowano naprawić z pomocą niewykwalifikowanej osoby lub bez uzyskania wcześniejszej zgody firmy Technic Industries.
 - jakiegokolwiek produktu podłączonego do nieprawidłowego źródła zasilania (nieprawidłowe napięcie prądu, napięcie, częstotliwość),
 - jakiegokolwiek produktu, który był używany z nieprawidłową mieszanką paliwową (paliwo, olej, procentowy udział oleju),
 - jakiegokolwiek uszkodzeń spowodowanych wpływem czynników zewnętrznych (chemicznych, fizycznych, drgań) lub substancji obcych,
 - normalnego zużycia części zamiennych,
 - nieprawidłowego użycia, przeciążenia narzędzia,
 - stosowania niezatwierdzonych akcesoriów lub części,
 - jakiegokolwiek okresowych regulacji lub czyszczenia gaźników w ramach konserwacji
 - elementów (części i akcesoriów) podlegających naturalnemu zużyciu, obejmujących, między innymi, kopułki do zwalniania żyłki, pasy napędowe, sprzęgło, ostrza przycinarek do żywopłotów lub kosiarek do trawy, uprzęż, przepustnicę linkową, szczotki węglowe, przewód zasilania, zęby, podkładki filcowe, kołki podnośnika, wentylatory dmuchawy, rury nadmuchowe i ssawne, worek na śmieci i paski, prowadnice, łańcuchy piły, węże, mocowanie złączy, dysze natryskowe, kółka, przęty natryskowe, szpule wewnętrzne, szpule zewnętrzne, filtry gazu, ostrza do ściółkowania itp.
- W celu serwisowania produktu należy wysłać lub okazać w autoryzowanym punkcie serwisowym RYOBI znajdującym się na przedstawionym poniżej wykazie punktów serwisowych w poszczególnych krajach. W niektórych krajach lokalny dystrybutor produktów RYOBI podejmuje się wysyłki produktu do centrum serwisowego RYOBI. W przypadku wysyłki do punktu serwisowego RYOBI produkt — pozbawiony jakiegokolwiek niebezpiecznych substancji, na przykład benzyny — należy bezpiecznie zapakować i dołączyć adres nadawcy oraz krótki opis usterki.
- Naprawa/wymiana w ramach niniejszej gwarancji jest bezpłatna. Nie stanowi jednak o przedłużeniu lub rozpoczęciu od nowa biegu okresu gwarancyjnego. Wymienione części lub narzędzia stają się naszą własnością. W przypadku niektórych krajów nadawca będzie musiał uregulować koszty dostawy lub opłaty pocztowe. Prawa ustawowe wynikające z zakupu narzędzia pozostają niezmienione.
- Niniejsza gwarancja obowiązuje w Unii Europejskiej, Szwajcarii, Islandii, Norwegii, Liechtensteinie, Turcji i Rosji. Poza tymi obszarami należy skontaktować się z autoryzowanym dostawcą produktów RYOBI i ustalić, czy obowiązuje inna gwarancja.

AUTORYZOWANY PUNKT SERWISOWY

Najbliższy autoryzowany punkt serwisowy można wyszukać w witrynie internetowej <http://pl.ryobitools.eu/header/service-and-support/service-agents>.

CS ZÁRUČNÍ PODMÍNKY RYOBI®

Kromě zákonných práv vyplývajících z koupě výrobku se na tento výrobek vztahuje také níže uvedená záruka.

- Záruční doba pro spotřebitele je 24 měsíců a začíná datem nákupu výrobku. Datum musí být zaznamenáno na fakturu nebo jiném dokladu o koupi. Tento výrobek je navržen a určen pouze pro soukromé účely spotřebitele. Záruka se tedy nevztahuje na profesionální nebo komerční využití výrobku.
- U některých zahradních nástrojů (AC/DC) je možné záruční dobu prodloužit. K tomu je nutná registrace na stránkách www.ryobitools.eu. Možnost prodloužené záruční doby výrobku je jasné uvedena v prodejních, popř. na obalech nebo v dokumentech o výrobku. Koncový uživatel musí svůj nový nástroj zaregistrovat online do 30 dnů od data nákupu. Koncový uživatel se může k prodloužené záruční době zaregistrovat v zemi trvalého pobytu, pokud je tato uvedena na internetovém registračním formuláři u výrobku, kde je tato možnost dostupná. Koncoví uživatelé musí dále souhlasit s uložením osobních údajů, která musí zadat na internetu, a přijmout obchodní podmínky. E-mail s potvrzením registrace a původní faktura s datem koupě poslouží jako důkaz o prodloužené záruce.
- Záruka se vztahuje na veškeré vady na výrobku v rámci záruční doby způsobené výrobními vadami nebo vadami materiálu v době koupě. Záruka je omezena na opravu, popřípadě výměnu a nezahrnuje žádné další povinnosti, včetně mimo jiné vedlejších či následných odškodnění. Záruka neplatí při použití výrobku k nevhodným účelům, v rozporu s uživatelskou příručkou nebo při nesprávném zapojení. Záruka se nevztahuje na:
 - veškeré škody na výrobku způsobené nesprávnou údržbou
 - veškeré produkty, které byly pozměněny nebo upraveny
 - veškeré produkty, kde byl původní identifikační prvky (obchodní značka, sériové číslo) poničeny, pozměněny nebo odstraněny
 - veškeré škody způsobené nedodržením pokynů uživatelské příručky
 - veškeré produkty bez CE certifikace
 - veškeré produkty, které se pokusil opravit nekvalifikovaný odborník nebo opravy bez předchozího svolení společnosti Technic Industries.
 - veškeré produkty zapojené do nesprávného elektrického zdroje (proud, napětí, frekvence)
 - veškeré produkty používané s nevhodnou palivovou směsí (palivo, olej, procento oleje)
 - veškeré škody způsobené externími vlivy (chemickými, fyzickými, nárazy) nebo cizími látkami
 - běžné opotřebování dílů
 - nevhodné použití, přetěžování nástroje
 - použití neschválených příslušenství nebo dílů
 - veškerá pravidelná seřízení nebo čištění v rámci údržby karburátoru
 - komponenty (díly a příslušenství) podléhající opotřebení, včetně mimo jiné nárazových koleček, posuvných pásů, spojek, nožů plotových nůžek a sekaček na trávu, popruhu, plynového lanka, karbonových kartáčů, napájecího kabelu, zubů, plstěných podložek, závěsných kolků, větráků fukaru, trubic fukaru a vysavače, vaku a popruhu vysavače, vodících lišt, pilových řetězů, hadic, konektorů, trysek, kol, stříkačích tyčí, vnitřních cívek, vnějších kotoučů, řezných strun, zapalovačích svíček, vzduchových filtrů, plynových filtrů, mulčovačích nožů atd.
- K provedení servisu musí být výrobek zaslán nebo předán do autorizovaného servisního centra společnosti RYOBI, jejichž adresy jsou uvedeny podle zemí v seznamu servisních center. V některých zemích za vás výrobek pošle servisní organizaci RYOBI sám prodejce výrobků této značky. Při zasílání výrobku do servisního centra RYOBI je potřeba výrobek bezpečně zabalit bez nebezpečného obsahu jako benzín, opatřit adresou odesílatele a připojit krátký popis závady.
- Oprava, popř. výměna v rámci této záruky je zdarma. Neznamená to prodloužení nebo začátek nové záruční lhůty. Vyměněné díly nebo nástroje přejdou do našeho vlastnictví. V některých zemích platí půstovně odesílatele. Vaše zákonná práva vyplývající z koupě tohoto nástroje zůstávají nedotčená.
- Tato záruka platí v Evropském Společenství, Švýcarsku, Norsku, Lichtenštejnku, Turecku, Rusku a na Islandu. Mimo tato území kontaktujte autorizované prodejce značky RYOBI, který zjistí, zda se na výrobek vztahuje jiná záruka.

POVĚŘENÉ SERVISNÍ STŘEDISKO

Pro nalezení nejbližšího pověřeného servisního střediska navštivte <http://cz.ryobitools.eu/header/service-and-support/service-agents>.

(HU) A RYOBI® GARANCIA ALKALMAZÁSÁNAK FELTÉTELEI

A vásárlásból adódó törvényben rögzített jogok mellett a termékre az alábbi garancia vonatkozik.

- A fogyasztói garancia tartama 24 hónap, mely a termék vásárlásának napjával kezdődik. Ezt a dátumot számlával vagy a vásárlást igazoló egyéb dokumentummal kell bizonyítani. A termék rendeltetése csak fogyasztói és magánocélú használat. Ezért professzionális vagy kereskedelmi használat esetén a garancia nem érvényes.
- A kerti szerszámok (egyenáramú/váltóáramú) egy részénél a garancia időtartama a www.ryobitools.eu weblapon regisztrálva meghosszabbítható. Az árúhárakban, a csomagolásban, illetve a termék dokumentációjában egyértelműen jelezzük, hogy az adott termék garanciája meghosszabbítható-e. A végfelhasználónak a vásárlás dátumától számított 30 napon belül regisztrálnia kell az újonnan vásárolt szerszámot. A végfelhasználó akkor regisztrálhat a kiterjesztett garanciára, ha az ország, ahol lakik, fel van sorolva az online regisztrációs űrlapon azon országok között, ahol választható ez az opció. Ezenkívül a végfelhasználónak bele kell egyeznie az online regisztrálás során szükséges adatok tárolásába, és el kell fogadnia a felhasználási feltételeket. A kiterjesztett garanciát a regisztráció beérkezése után e-mailben küldött visszaigazolással és a vásárlás dátumát tartalmazó eredeti számla igazolja.
- A garancia a termék vásárlásakor fennálló, a gyártás során keletkezett hibákra és anyaghibákra érvényes a garanciális időtartamon belül. A garancia csak a javításra/cserére korlátozódik, és nem terjed ki semmilyen egyéb kötelezettségre, nem kizárólagosan ideértve a véletlen vagy szándékos rongálást. A garancia nem érvényes, ha a termék nem megfelelően, a használati utasításban foglaltakkal ellentétben, illetve nem megfelelően csatlakoztatva használták. A garancia nem vonatkozik:
 - a terméket a nem megfelelő karbantartás következtében ért károsodásra
 - megváltoztatott vagy átalakított termékre
 - olyan termékre, melyen az eredeti azonosított (védjegy, sorozatszám) megromlották, megváltoztatták vagy eltávolították
 - a használati utasításban nem tartásából eredő kárra
 - CE jelöléssel nem rendelkező termékekre
 - olyan termékre, melyet nem képzett, illetve a Techtronic Industries által nem feljogosított szerelő javított
 - nem megfelelő (áramerősségű, feszültségű, frekvenciájú) áramforrásra csatlakoztatott termékre
 - nem megfelelő üzemanyag-keveréssel (üzemanyag, olaj, olaj aránya) használt termékre
 - külső (vegyi, fizikai, ütés) hatásokból vagy idegen anyagokból eredő károkkra
 - a cserélhető alkatrészek természetes kopására és elhasználódására
 - a szerszám helytelen használatára, túlterhelésére
 - nem jóváhagyott tartozékok és alkatrészek használatára
 - A karburátorok rendszeres beállítása, karbantartása, tisztítása
 - A természetes kopásnak és elhasználódásnak kitett alkatrészek és kiegészítők, például (de nem kizárólag) damilodok, ékszíjak, foglalatok, sövényvágók és fűnyírók kése, heveder, gázbowden, szénkéfék, tápkábel, kultivátorfogak, filcalátétek, akasztószögek, fűvókészülékek ventilátorai, fűvő- és szívócsovek, szívózsák és pántok, terelőrudak, fűrészláncok, tömlők, csatlakozószerevények, permetezőfejek, kerekék, permetezőszárak, belső dobok, külső csévek, vágódamlok, gyűjtőgyertyák, légszűrők, gázsűrők, mulcsokozókések stb.
- A termék javításra el kell vinni egy meghatalmazott RYOBI szervizbe; ezeket az egyes országokhoz a következő listában találja. Egyes országokban a helyi RYOBI kereskedő vállalja a termék elszállítását a RYOBI szervizbe. A terméket veszélyes tartalom, például benzin nélkül csomagolva, a feladó címét feltüntetve, a hiba rövid leírásával együtt küldje el a RYOBI szervizbe.
- A jelen garancia hatálya alatt végzett javítás, illetve csere ingyenes. Nem jelenti a garanciális időtartam újraindulását. A kicserélt alkatrészek és szerszámok a mi tulajdonunkba kerülnek. Egyes országokban a szállítás vagy postázás költségét a feladó viseli. A vendékek a szerszám megvásárlásából adódó törvényes jogai nem változnak.
- Jelen garancia az Európai Közösségben, Svájcban, Izlandon, Norvégiában, Liechtensteinben, Törökországban és Oroszországban érvényes. E területen kívül kérdezze meg a RYOBI forgalmazót, hogy milyen garancia van érvényben.

HIVATALOS SZERVIZKÖZPONT

A legközelebbi hivatalos szervizközpont megtalálásához látogasson el a <http://hu.ryobitools.eu/header/service-and-support/service-agents>.

(RO) CONDIȚII DE APLICARE A GARANȚIEI PENTRU PRODUSELE RYOBI®

În plus față de condițiile statutare rezultate din achiziționarea acestui produs, acesta este acoperit de garanția stipulată mai jos.

- Perioada de garanție este de 24 de luni pentru consumatori și începe de la data achiziționării produsului. Data de începere a garanției trebuie demonstrată cu o factură sau altă dovadă a cumpărării produsului. Produsul este destinat și conceput doar pentru utilizare în scopuri personale. Din acest motiv, nu se oferă garanție pentru utilizarea sa în scop profesional sau comercial.
- Există posibilitatea de extindere a perioadei de garanție pentru gama de unelte electrice pentru grădină (de CA/CC) peste perioada stipulată mai sus prin înscrierea produsului pe website-ul www.ryobitools.eu. Eligibilitatea pentru perioada de extindere a garanției este afișată în mod clar în magazinele de vânzare și/sau pe ambalaj sau este inclusă în documentația livrată împreună cu produsul. Utilizatorul final este obligat să-și înregistreze produsul online în termen de maxim 30 de zile de la achiziția acestuia. Utilizatorul final poate înregistra produsul pentru garanția extinsă oferită în țara sa de rezidență dacă această este listată în formularul de înregistrare online și dacă această opțiune este validă. În plus, utilizatorul final trebuie să-și dea acordul pentru stocarea datelor personale solicitate la înregistrarea online și trebuie să accepte termenii și condițiile. Mesajul de confirmare a înregistrării, trimis prin e-mail și factura originală cu data achiziției vor dovedi perioada de garanție extinsă.
- Garanția acoperă toate defecțiunile produsului survenite în perioada de garanție datorate defectelor de execuție sau materialelor folosite, începând cu data achiziției acestuia. Garanția este limitată la reparare și/sau înlocuire și nu include alte obligații, inclusiv, dar fără a se limita la daune accidentale sau rezultate pe cale de consecință. Garanția își pierde valabilitatea dacă produsul este utilizat necorespunzător, utilizat neconform cu instrucțiunile de utilizare din manualul cu instrucțiuni sau conectat incorect. Garanția nu se aplică în cazul:
 - oricărei defecțiuni survenite în urma întreținerii necorespunzătoare a produsului
 - oricărui produs alterat sau modificat
 - oricărui produs la care inscripțiile cu datele de identificare (marca comercială, numărul de serie) au fost șterse, modificate sau îndepărtate
 - oricărei defecțiuni datorate neconformării cu instrucțiunile din manualul de utilizare
 - oricărui produs necertificat CE
 - oricărui produs asupra căruia au fost efectuate tentative de reparare de către personal necalificat sau fără autorizație prealabilă din partea Techtronic Industries.
 - oricărui produs conectat la o sursă de alimentare necorespunzătoare (curent, tensiune, frecvență)
 - oricărui produs utilizat cu un amestec de carburant necorespunzător (combustibil, ulei, proporții de adaos ulei)
 - oricărui defecțiuni datorate unor influențe externe (chimice, fizice, șocuri) sau substanțe străine
 - uzurii și fisurării normale a pieselor de rezervă
 - utilizării neadecvate, suprautilizării uneltei
 - utilizării de piese și accesorii neaprobată
 - Orice operați de curățare sau reglare periodică a carburatoarelor
 - Componentele (piese și accesorii) supuse uzurii și defecțiuni normale, care includ, fără a se limita la manșoane de protecție, curele de transmisie, ambreiaj, lamele de la tăietoarele de arborat sau gazon, harnașamente, cablu de accelerație, perii de cărbune, cordon de alimentare, dinți, discuri de păsă, știfturi de siguranță, ventilatoare de suflant, tuburi de aspirare sau suflare, sac de colectare resturi și banda de susținere a acestuia, bare de ghidare, lanțuri de fierăstrău, furturnuri, accesorii de conectare, duze de pulverizare, volante, baghete de pulverizare, moșoare interne, carcasa exterioară pentru moșoare, fire tăietoare, buijii, filtre de aer, filtre de gaz, lame de tocător, etc.
- Pentru efectuarea reparațiilor, produsul trebuie trimis sau adus la un centru de reparații autorizat RYOBI din lista următoare de centre de reparații prezentate pentru fiecare țară. În anumite țări, reprezentatul local RYOBI va trimite produsul spre reparare la sediul central de reparații RYOBI. Atunci când trimiteți produsul spre reparare la un centru de reparații RYOBI, acesta trebuie ambalat în siguranță, fără conținut periculos (cum ar fi benzină), marcat cu adresa expeditorului și însoțit de o scurtă descriere a defectului.
- Repararea/înlocuirea în perioada de garanție este gratuită. Aceasta nu este însoțită de o prelungire sau o reințiere a perioadei de garanție. Piesele sau uneltele schimbate devin proprietatea dvs. În anumite țări, taxele de expediere sau poștale vor fi suportate de expeditor. Drepturile dvs. statutare rezultate din achiziția produsului rămân neschimbate.
- Această garanție este valabilă în Comunitatea Europeană, Elveția, Islanda, Norvegia, Liechtenstein, Turcia și Rusia. În afara acestor zone, vă rugăm să contactați reprezentantul dvs. local RYOBI pentru a determina dacă se aplică alt tip de garanție.

CENTRU DE SERVICE AUTORIZAT

Pentru a găsi un centru de service autorizat lângă dvs., vizitați <http://en.ryobitools.eu/header/service-and-support/service-agents>.

LV RYOBI® GARANTĪJAS PIEMĒROŠANAS NOSACĪJUMI

Papildus jebkādam likumiskajām tiesībām, kuras rodas, veicot pirkumu, izstrādājums tiek nodrošināts ar tālāk tekstā noteikto garantiju.

1. Garantijas periods patērētājiem ir 24 mēneši, tai atskaitē tiek sākota no datuma, kurā veikta izstrādājuma iegāde. Šim datumam jābūt dokumentētām rēķinā vai citā pirkumu apliecināšā dokumentā. Izstrādājums ir radīts un paredzēts tikai patērētāja privātai lietošanai. Saistībā ar iepriekšminēto, garantija netiek nodrošināta profesionāļai vai komerciālas lietošanas gadījumā.
2. Pastāv iespēja pagarināt daļas no dārza instrumentu klāsta (Mainstrāvas/akumulatoru) ieguru ilgāk par iepriekš minēto periodu, izmantojot reģistrāciju internetā vietnē www.ryobitools.eu. Instrumenti, kas pakļauti garantijas perioda pagarināšanai, tiek skaidri apzīmēti veikalos un/vai uz iepakojuma un izstrādājumu komplektojošajā dokumentācijā. Gala lietotājam nepieciešams reģistrē tie iegādāto jauno instrumentu 30 dienu laikā no pirkuma datuma. Gala lietotājs var reģistrēties pagarinātajai garantijai savā mītnes valstī, ja tā minēta tiešsaistes reģistrācijas veidlapā, kurā šī iespēja ir aktīva. Bez tam, gala lietotājam ir jāsniedz piekrišana tiešsaistes ievadīšanai nepieciešamo datu glabāšanai un jāpiekrīt noteikumiem un nosacījumiem. Reģistrācijas apstiprinājums, kas tiek nosūtīts, izmantojot e-pastu, un rēķina oriģināls, kurā norādīts iegādes datums, kalpo kā pagarinātās garantijas apstiprinājums.
3. Garantija attiecas uz visiem izstrādājuma defektiem garantijas periodā, kas saistīti ar ražošanas vai materiālu defektiem no pirkuma datuma. Šī garantija tiek ierobežota ar remontu un/vai nomainītu neievēroti jebkādas citas saistības, tajā skaitā, bet ne tikai, cēloņsakarīgos vai saistītos bojājumus. Garantija nav spēkā, ja izstrādājums ir nepareizi lietots, izmantots pretējā norādē lietošanas rokasgrāmātā vai bijis nepareizi pieslēgts. Šī garantija netiek attiecināta uz:
 - jebkādiem izstrādājuma bojājumiem, kas radušies nepareizas uzturēšanas rezultātā
 - jebkuru izstrādājumu, kas ticis pārveidots vai mainīts
 - jebkuru izstrādājumu, kura oriģinālais identifikācijas (preču zīme, sērijas numurs) marķējums ir ticis nodzēsts, mainīts vai noņemts
 - jebkādiem bojājumiem, kuri radušies neievērojot norādes lietošanas rokasgrāmātā
 - jebkādam izstrādājumam bez CE sertifikācijas
 - jebkuram izstrādājumam, kura remontu mēģinājis veikt nekvalificēts personāls vai bez Technonic Industries iepriekšējas autorizācijas.
 - jebkuram izstrādājumam, kurš bijis pieslēgts neatbilstošu parametru (strāvas, sprieguma, frekvences) sprieguma avotam
 - jebkuram izstrādājumam, kurš bijis izmantots ar nepareizu degvielas maisījumu (degviela, eļļa, eļļas procentuālais saturs)
 - jebkuriem bojājumiem, kuri radušies ārējas iedarbības (ķīmiskas, fiziskas, triecieni) vai vielu ietekmē
 - detaļu normāla lietošanas nodiluma rezultātā
 - nepareizas lietošanas vai instrumentu pārslodzes rezultātā
 - neapstiprinātā detaļu vai aprīkojuma lietošanas rezultātā
 - jebkādu periodiskus karburatoru regulēšanas darbus vai apkopes tīrīšanu
- Komponentus (daļas un aksesuārus), kas pakļauti dabīgam nodilumam, ieskaitot, bet neaprobežoties ar atsitiena pogaēm, piedziņas siksām, sāļģiem, krūmu šķēru un pļaujmašīnu asmeņiem, uzkabēm, droseļu trošlēm, oglekļa sukām, elektrības vadiem, tapām, filca paplākšiem, sakabes tapām, pūtēja ventilatoriem, pūtēja un sūkšanas caurulēm, savākšanas maisiem un siksām, vadotņu plankām, zaķu ķēdēm, šūtenēm, savienojumu uzgaļiem, izsmidzinātāja uzgaļiem, riteniem, izsmidzinātāja caurulēm, iekšējām spolēm, ārējām spolēm, plūšanas auklām, atdzirdes svečēm, gaisa filtriem, degvielas filtriem, mulčēšanas asmeņiem, utt.
4. Servisa nodrošināšanai, izstrādājums ir jānodod pilnvarotā RYOBI servisa centrā, kas norādīts katrā valstī tālāk minētajā servisa centru adresē sarakstā. Dažās valstīs jūsu vietējais RYOBI izplatītājs uzņemas izstrādājuma nosūtīšanu uz RYOBI servisa organizāciju. Nosūtīt izstrādājumu uz RYOBI servisa centru, izstrādājuma jābūt droši iepakotam, tas nedrīkst saturēt bīstamas vielas kā degvielu, sūtiļmājam jābūt marķētam ar sūtītāja adresi un īsu kļūmes aprakstu.
5. Remonts/nomainīta šīs garantijas ietvaros ir bezmaksas. Tas nerada garantijas perioda pagarināšanu vai jaunu garantiju. Nomainītās daļas vai instrumentus kļūst par mūsu īpašumu. Dažās valstīs piegādes vai pasta izmaksas būs jāapmaksā sūtītājam. Jūsu likumiskās tiesības, kas nodrošinātas, iegādājoties instrumentu, paliek nemainīgas
6. Šī garantija ir spēkā Eiropas Kopienā, Šveicē, Islandē, Norvēģijā, Līhtenšteinā, Turcijā un Krievijā, Ārpus šīm teritorijām, lūdzu, sazinieties ar jūsu pilnvaroto RYOBI izplatītāju, lai noteiktu, vai ir piemērojama cita garantija.

AUTORIZĒTS APKALPOŠANAS CENTRS

Lai atrastu tuvāko autorizēto apkalpošanas centru, apmeklējiet <http://en.ryobitools.eu/header/service-and-support/service-agents>.

LT „RYOBI® GARANTĪJOS TAIKYMO SĄLYGOS

Papildant bet kokias įstatymuose numatytas perkant atsiřandančias teises, šiam įrenginiui taikoma toliau nurodyta garantija.

1. Vartotojams suteikiama 24 mėnesių trukmės garantija nuo įrenginio įsigijimo datos. Ši data turi būti nurodyta sąskaitoje faktūroje ar kitame pirmąjį įrodančiame dokumente. Šis įrenginys skirtas tik vartojtoj rinkai ir asmeniniam naudojimui. Todėl garantija netaikoma, jei įrenginys naudojamas profesionaliems ar komercinėms reikmėms.
2. Įsigijus tam tikrus sodo įrenginius (AC/DC), suteikiama galimybė pratęsti garantiją, kad ji galiojtu ilgiau, nei nurodyta pirmiau, naudojantis registracija interneto svetainėje www.ryobitools.eu. Ar galima pratęsti garantiją garantijos laikotarpi, aiškiai nurodoma parduotuviuėse ir (arba) ant įrenginio pakuočės, ir (arba) įrenginio dokumentuose. Galutinis naudotojas turi užregistruoti savo naujai įsigytą įrenginį per 30 dienų nuo įsigijimo datos. Galutinis naudotojas gali registruotis išplėstinei garantijai savo gyvenamojoje šalyje, jei ji nurodyta internetinėje registracijos formoje, kurioje siūloma tokia galimybė. Be to, galutinai naudotojai turi sutikti su duomenų, kuriuos reikia įvesti internetu, saugojimu ir svetainės naudojimo sąlygomis. Kaip išplėstinės garantijos įrodymas naudojamas registracijos patvirtinimo kvitas, atsiunčiamas el. paštu, ir originali sąskaita faktūra, kurioje nurodyta įsigijimo data.
3. Ši garantija apima visus garantiniui laikotarpiui aptiktus įrenginio trūkumus, atsiradusius dėl gamybos arba medžiaginių defektų nuo įsigijimo datos. Ši garantija ribojama remontu ir (arba) pakeitimu, ji neapima jokių kitų įsipareigojimų, įskaitant (bet tuo neapsiribojant) šalutinius arba antrinius nuostolius. Garantija anuliuojama, jei įrenginys buvo naudojamas netinkamai, naudojamas ne pagal naudojimo instrukciją arba netinkamai prijungtas. Ši garantija netaikoma:
 - jokiai įrenginiui padarytai žalai, kurią lėmė netinkama techninė priežiūra;
 - jokiai įrenginiui, kuris buvo keičiamas ar modifikuojamas;
 - jokiai įrenginiui, kurio originalūs identifikavimo ženklai (prekės ženklas, serijos numeris) buvo sugadinti, pakeisti arba pašalinti;
 - jokiai žalai, kurią lėmė naudojimo instrukcijos nesilaikymas;
 - jokiems CE ženklui nepažymėtiems įrenginiams;
 - jokiai įrenginiui, kurį bandė remontuoti nekvalifikuoti asmenys arba kuris buvo remontuojamas be „Technonic Industries“ leidimo;
 - jokiai įrenginiui, kuris buvo prijungtas prie netinkamo maitinimo tinklo (netinkamos srovės, įtampos, dažnio);
 - jokiai įrenginiui, kuris buvo naudojamas su netinkamu degalų mišiniu (degalai, alyva, maišymo santykis);
 - jokiai žalai, kurią lėmė išorinis poveikis (cheminis, fizinis, smūgių) arba pašalinės medžiagos;
 - dėvimosioms dalims;
 - netinkamam naudojimui, įrenginio perkrovai;
 - nepatvirtintų priedų arba dalių naudojimui;
 - Jokiai regulieriam karburatorių regulavimui arba priežiūros ir valymo darbams
 - Komponentams (dalims ir priedams), kurie natūraliai dėviasi, įskaitant (bet tuo neapsiribojant) spyruklinės galvutes, pavarų diržus, sankabą, gyvatvorių genėtuvą ar žoliapjovių geležtes, diržus, trosinį drošelį, anglinius šepetėlius, maitinimo kabelį, virbus, retro poveržles, prikabinimo kaiščius, pūstuvo ventilatorius, pūstuvo ir siurblio vamzdžius, siurblio maišą ir diržus, kreipiamuosius strypus, pjūklo grandines, žarnes, jungiamąsias detales, purškimo antgalius, ratus, purškimo liestuokus, vidines rites, išorines rites, pjovimo vielą, uždegimo žvakės, oro filtrus, dujų filtrus, mulčiavimo geležtes ir pan.
4. Prieikis atlikti priežiūros darbus, įrenginį reikia siūsti arba atvežti RYOBI įgaliotajam priežiūros centrui, nurodytam kiekvienos šalies priežiūros centrų adresų sąrašė. Kai kurioje šalyse vietinis RYOBI atstovas siunčia įrenginį RYOBI priežiūros organizacijai. Siunčiant įrenginį RYOBI priežiūros centrui, reikia saugiai jį supakuoti pašalinant visas pavojingas medžiagas, pvz., benzina, nurodyti ant pakuočės siunčiję adresą ir pridėti trumpą gedimo aprašymą.
5. Pagal šią garantiją remontas / keitimas atliekami nemokamai. Tokie veiksmai nelaimiomi garantijos pratęsimu arba naujo garantinio laikotarpio pradžia. Dalys arba įrenginiai, kuriuos pakeitėme, tampa mūsų nuosavybe. Kai kurioje šalyse pristatymo ir pašto išlaidas turi padengti siuntėjas. Įstatymuose numatytos juos teisės, atsiřandančios perkant įrenginį, lieka nepakeistos
6. Ši garantija galioja Europos bendrijoje, Šveicarijoje, Islandijoje, Norvegijoje, Lichtenšteine, Turkiijoje ir Rusijoje. Ji gyvenate ne šioje šalyse, kreipkitės į įgaliotąjį RYOBI atstovą ir sužinokite, ar jums taikoma kita garantija.

ĮGALIOTAS TECHINIS PRIEŽIŪROS CENTRAS

Jei norite surasti įgaliotą techninės priežiūros centrą netoli Jūsų, apsilankykite interneto svetainėje <http://en.ryobitools.eu/header/service-and-support/service-agents>.



ET RYOBI® GARANTIINGIMUSED

Lisaks toote ostust tulenevatele seadusjärgsetele õigustele, kehtib tootele ka alltoodud garantiia.

1. Tarbijatele on garantiiaeg 24 kuud ja algab sellel kuupäeval, mil toode osteti. Selle kuupäeva tõestuseks on vaja arvet või mõnda teist tõendit ostu sooritamise kohta. Toode on mõeldud eratarbijatele ainult isiklikuks kasutamiseks. Seega ei kehti garantiit ostu kasutamisel kütsetegevuses või kaubanduslikel eesmärkidel.
2. Teatud osale (vahelduvvoolu/alalisvoolu) aiatööriistadele on võimalik pikendada eespool toodud garantiiaega, kasutades toote registreerimist veebilehel www.ryobitools.eu. Teave tööriista võimaliku pikendatud garantiiaja kohta on selgelt esile toodud poodides ja/või pakendil / ning see sisaldub toote dokumentatsioonis. Lõpptarbijaja peab registreerima oma uued tööriistad interneti teel 30 päeva jooksul pärast ostupäeva. Lõppkasutaja võib registreerida pikendatud garantiiaja saamise oma elukohariigis, kui veebis olevas registreerimisvormis on see valik lubatud. Lisaks peavad kasutajad andma oma nõusoleku veebis nõutud sisestatavate andmete säilitamiseks ning nad peavad nõustuma tingimustega. E-posti teel saadetak registreerimise kinnitus ja arve originaal, kus on näha ostu sooritamise kuupäev, on pikendatud garantiiaja tõestuseks.
3. Garantii katab kõik defektid toote garantiiaja jooksul, kui ostu kuupäeval ilmnevad talitus- või materjalivead. Garantii piirub toote remondi ja/või väljavahetamisega ning ei sisalda müü kohustusi, muu hulgas ettenägematuid või kaudseid kahjusid. Garantii ei kehti, kui toodet ei ole kasutatud sihtotstarbeliselt või kooskõlas kasutusjuhendiga või see on valesti ühendatud. Garantii ei kehti järgmistel põhjustel:
 - toode on kahjustatud vale hoolduse tõttu
 - toode on muudetud
 - toote algupärased identifitseerimisnumbrid (kaubamärk, seerianumber) on rikutud, muudetud või eemaldatud
 - kahju on tekkinud kasutusjuhendi mittejärgimisest
 - tootel puudub CE-märk
 - toode on püüdnud remontida vastavalt kvalifikatsiooni mitte omav isik või ilma firma Techtronic Industries ettevõtte loal.
 - toode on ühendatud valesse tööalaiklasse (voolutugevus, pinge, sagedus)
 - tootega kasutati sobimatut kütusesegu (kütus, õli, õli protsent)
 - välimõjude (keemilised, füüsilised, elektriõõbid) või võõrkehade tekitatud kahju
 - tavapärase kulumine ja katkised varuosad
 - ebaõige kasutamine, tööriista ülekoormamine
 - heakskiitmata tarvikute või osade kasutamine
 - Karburaatorite korralised reguleerimistööd või hooldus- ja puhastustööd
 - Komponendid (osad ja tarvikud), mida iseloomustab kulumine ja vananemine, muu hulgas puutenupud, kiirhmad, sidur, hekilõikurite või muuniidukite lõiketerad, rakmed, gaasitross, süsinikharjad, toitejuhe, freesiterad, vildist seibid, tihtid, õhuvventilaatorid, puhuri- ja imuritord, kogumisokk ja rihmad, juhikud, saeketid, voolikud, liitmikud, pihusti otsakud, rattad, pritsi varred, sisemised poolid, välimised poolid, jõhvid, süüteküünlad, õhufiltrid, gaasifiltrid, multšimisterad jne.
4. Hoolduseks peab toote saatma või viima RYOBI volitatud teenindusse, mille aadressi leiate järgnevat teeninduspunkti nimekirjast vastava riigi alt. Mõnedes riikides võtab kohalik RYOBI edasimüüja enda kanda kohustuse saata toode RYOBI teenindusorganisatsiooni. Toote saatmisel RYOBI teenindusse peab toode olema ohutult pakitud ja ei tohi sisaldada ohtlikke aineid (nt bensiin), kirjas peab olema saatja aadress ja lisatud vea lühikirjeldus.
5. Garantii alusel tehtavad remonditööd / asendamine on tasuta. See ei pikenda garantiit kehtivusaega ega tähistu uue garantiiaja algust. Väljavahetatud osad või tööriistad kuuluvad meile. Mõnedes riikides maksab kätetoimetamis- ja postikulud saatja. Teile jäävad kehtima tööriista ostust tulenevad seadusjärgsed õigused
6. See garantii kehtib Euroopa Ühenduse territooriumil, Šveitsis, Islandil, Norras, Liechtensteinis, Türgis ja Venemaal. Väljaspool neid piirkondi võtke ühendust volitatud RYOBI edasimüüjaga, et teha kindlaks kas kehtib mõni teine garantii.

VOLITATUD HOOLDUSKESKUS

Oma volitatud hoolduskeskuse leiate veebisaidilt <http://en.ryobitools.eu/header/service-and-support/service-agents>.

HR UVJETI PRIMJENE JAMSTVA TVRTKE RYOBI®

Osim svim zakonskim pravima koja proizlaze iz kupnje, ovaj je proizvod pokriven jamstvom kako je navedeno u nastavku.

1. Jamstveno razdoblje za potrošače traje 24 mjeseca i počinje s datumom na koji je proizvod kupljen. Taj datum mora se dokumentirati računom ili drugim dokazom o kupnji. Proizvod je konstruiran i namijenjen samo za privatnu upotrebu korisnika. Stoga se jamstvo ne daje u slučaju profesionalne ili komercijalne upotrebe.
2. Postoji mogućnost da se za dio asortimana vrtnih alata pokretanih izmjeničnom strujom (AC/DC) proizvodi gore navedeno jamstveno razdoblje putem registriranja na mrežnom mjestu www.ryobitools.eu. Uvjeti koje je potrebno zadovoljiti kako bi se produžilo jamstveno razdoblje jasno su istaknuti u prodavaonicama i / ili na pakiranju / i nalaze se unutar dokumentacije proizvoda. Krajnji korisnik mora registrirati svoje novo kupljene alate na mreži u roku od 30 dana od datuma kupnje. Krajnji korisnik može se registrirati za produženo jamstvo u svojoj zemlji boravišta ako se nalazi na popisu u mrežnom obrascu za registraciju gdje je ta opcija važeća. Nadalje, krajnji korisnici moraju dati svoj pristanak na pohranu podataka koji su potrebni za mrežni ulazak i moraju prihvatiti odredbe i uvjete. Potvrda o prijemu registracije, koja se šalje putem e-pošte, kao i originalni račun s vidljivim datumom kupnje poslužiti će kao dokaz produženog jamstva.
3. Jamstvo pokriva sve nedostatke proizvoda tijekom jamstvenog razdoblja koji su nastali zbog neispravnosti prilikom izrade ili materijala s datumom kupnje. Jamstvo je ograničeno na popravak i/ili zamjenu i ne obuhvaća nikakve druge obveze, uključujući, ali ne ograničavajući se na slučajne ili posljedične štete. Jamstvo ne vrijedi ako je proizvod bio zlorabljeno, korišten u suprotnosti s priručnikom s uputama ili ako je pogrešno spojen. Ovo jamstvo ne primjenjuje se na:
 - svako oštećenje proizvoda koje je rezultat nepravilnog održavanja
 - svaki proizvod koji je izmijenjen ili modificiran
 - svaki proizvod gdje su originalne identifikacijske oznake (zaštitni znak, serijski broj) izbrisane, zamijenjene ili uklonjene
 - svako oštećenje uzrokovano neprirodavanjem korisničkog priručnika
 - svaki proizvod koji nije CE
 - svaki proizvod koji je pokušao popraviti neovlašten profesionalac ili bez prethodnog odobrenja od strane Techtronic Industries
 - svaki proizvod priključen na nepravilno napajanje energijom (amperi, napon, frekvencija)
 - Svaki proizvod korišten s neodgovarajućom mješavinom (gorivo, ulje, postotak ulja)
 - svako oštećenje uzrokovano vanjskim utjecajima (kemijsko, fiziko, udar) ili stranim stvarima
 - normalno trošenje i habanje rezervnih dijelova
 - nepravilno korištenje, preopterećenje alata
 - korištenje neodobrenog dodatnog pribora ili dijelova
 - raspljnjaka nakon 6 mjeseci, podešavanje raspljnjaka nakon 6 mjeseci
 - komponente (dijelovi i dodatni pribor) koji su predmet prirodnog trošenja i habanja, uključujući no ne ograničavajući se na gumbce za otpuštanje, pogonske remene, spojku, oštrice trimera za grmlje ili kosilicu, kope, sajle gasa, ugljene četke, kabele za napajanje, nožve, podloške, ztkle za zglobnu vezu, ventilatore pihalica, cijevi za ispuhivanje i usisavanje, vakuumske vrećice i trake, vodilice, lance pile, crijeva, priključene elemente, mlaznice za raspršivanje, kočice, kopljia za raspršivanje, unutarnje kolute, vanjske kaleme, filaksove, svječice, filtre za zrak, filtre za plin, oštrice za usitnjavanje itd.
4. Za potrebe servisiranja, proizvod se mora poslati ili odnijeti u ovlaštenu servisnu postaju tvrtke RYOBI navedenu na sljedećem popisu s adresama servisnih postaja u svakoj zemlji. U nekim zemljama, vaš lokalni RYOBI zastupnik obvezuje se da će poslati proizvod u servisnu organizaciju tvrtke RYOBI. Kada se proizvod šalje u neku servisnu postaju tvrtke RYOBI, proizvod se mora sigurno pakirati bez ijednog od opasnih sadržaja kao što je benzin, na njemu mora pisati adresa pošiljatelja i mora biti popraćen kratkim opisom kvara.
5. Popravak / zamjena pod ovim jamstvom su besplatni. Oni ne predstavljaju produženje ili novi početak jamstvenog razdoblja. Zamijenjeni dijelovi ili alati postaju naše vlasništvo. U nekim državama troškove isporuke ili poštarinu mora platiti pošiljatelj. Vaša zakonska prava koja proizlaze iz kupnje alata ostaju nepromijenjena
6. Ovo jamstvo vrijedi u Europskoj uniji, Švicarskoj, Islandu, Norveškoj, Lihtenštajnu, Turskoj i Rusiji. Izvan tih područja vas molimo da se obratite svojem ovlaštenom zastupniku tvrtke RYOBI kako biste utvrdili primjenjuje li se drugo jamstvo.

OVLAŠTENI SERVISNI CENTAR

Za pronalaznje ovlaštenog servisnog centra pored vas posjetite <http://en.ryobitools.eu/header/service-and-support/service-agents>.

SL POGOJI ZA VELJAVNOST GARANCIJE RYOBI®

Poleg morebitnih zakonsko določenih pravic, ki izvirajo iz nakupa, za ta izdelek velja spodaj navedena garancija.

- Garancijsko obdobje je za potrošnike 24 mesecev in začne teči z dnem nakupa izdelka. Ta datum mora biti dokumentiran z računom ali drugim dokazilom o nakupu. Izdelek je zasnovan in namenjen izključno za potrošniško zasebno uporabo. V primeru strokovne oziroma komercialne uporabe izdelka garancija ne velja.
- Obstaja možnost podaljšanja garancije na del naše ponudbe vrtnih orodij (AC/DC) prek obdobja garancije, opisanega zgoraj, s pomočjo registracije na spletnem mestu www.ryobitools.eu. Ustreznost orodij za podaljšanje garancijskega obdobja je jasno prikazana v trgovinah in/ali na embalaži oziroma je navedena v dokumentaciji izdelka. Končni uporabnik mora registrirati svoje novo orodje na spletu v 30 dneh po datumu nakupa. Končni uporabnik lahko registrira podaljšano garancijo v svoji državi bivanja, če je na obrazcu spletne registracije navedeno, da ta možnost velja za njegovo državo. Poleg tega morajo končni uporabniki podati svoje soglasje za shranjevanje podatkov, ki so potrebni za spletni dostop in morajo sprejeti pogoje in določila uporabe spletnega mesta. Potrdilo o registraciji, ki ga pošljemo prek e-pošte, in originalni račun, ki prikazuje datum nakupa, služita kot dokazilo o podaljšani garanciji.
- Garancija krije vse okvare izdelka, do katerih pride v garancijskem obdobju zaradi napak v izdelavi ali materialu, ki so bile prisotne ob datumu nakupa. Garancija je omejena na popravilo in/ali zamenjavo in ne vključuje nobenih drugih obveznosti, med drugim vključno z naključno ali posledično škodo. Garancija ne velja, če je bil izdelek napačno uporabljen, uporabljen v nasprotju z navodili iz priložnika za uporabo ali če ni bil pravilno povezan. Ta garancija ne velja za:
 - škodo na izdelku, ki je posledica neustreznega vzdrževanja
 - spremenjen ali prilagojen izdelek
 - izdelek, katerega originalna identifikacijska oznaka (blagovna znamka, serijska številka) je bil poškodovan, spremenjena ali odstranjena
 - škodo, ki je posledica neupoštevanja navodil iz priložnika za uporabo izdelka, ki nima oznake CE
 - izdelek, ki ga je poskušal popraviti nekvalificiran strokovnjak ali ki je bil popravljen brez predhodne odobritve s strani družbe Techtronic Industries.
 - izdelek, ki je bil povezan na neustrezno napajanje (amperska moč, napetost, frekvenca)
 - izdelek, ki je bil uporabljen z neustrezno mešanico goriva (gorivo, olje, odstotek olja)
 - škodo, ki jo povzročijo zunanji vplivi (kemični, fizični, mehanski) ali tuje snovi
 - rezervne dele, ki so podvrženi običajni uporabi
 - neprimerno uporabo, preobremenitev orodja
 - uporabo neodobrenih dodatkov ali delov
 - Vsako redno prilagajanje ali vzdrževalno čiščenje uplinjačev
 - Komponente (sestavni in rezervni deli), ki so podvrženi običajni obrabi, med drugim vključno z gumbi odbijaca, pogonskimi jermeni, sklopko, rezili obrezovalnikov za žive meje ali kosilnic za trato, nosilnimi pasovi, kablji, dušilnimi ventili, oglikovimi krtačami, napajalnimi kablji, zobci, tesnilni filci, vezniimi zatiči, ventilatorji pihalnika, cevni pihalnika in sesalnika, vrečko in pasovi sesalnika, vodilnimi palicami, verigami motorne žage, cevni, priključki, razpršilnimi šobami, kolesi, razpršilnimi palicami, notranjimi kolesci, zunanjiimi motki, rezalnimi vrvicami, vžigalnimi svečkami, zračnimi filtri, plinskimi filtri, rezili za mulčenje itd.
- Za servisiranje morate izdelek poslati ali prinesiti v pooblaščen servisni center družbe RYOBI, ki je naveden za vsako državo na naslednjem seznamu naslovov servisnih centrov. V nekaterih državah se vaš lokalni posrednik družbe RYOBI obveže, da bo poslal izdelek na servis družbe RYOBI. Ko pošljate izdelek v servisni center družbe RYOBI, mora biti izdelek varno zapakiran in ne sme vsebovati nobenih nevarnih snovi, kot je npr. bencin, opremljen za mora biti z naslovom poštejemalitelja in vsebovati kratak opis napake.
- Popravilo/zamenjava v skladu s to garancijo sta brezplačni storitvi. To pa ne predstavljata podaljšanja ali ponovnega začetka garancijskega obdobja. Zamenjani deli ali orodja postanejo naša last. V nekaterih državah stroške dostave ali poštno plačilo pošiljatelja. Vaše zakonsko določene pravice, ki izvirajo iz nakupa orodja, ostajajo nespremenjene.
- Ta garancija velja v Evropski skupnosti, Švici, Islandiji, na Norveškem, v Lichtenštajnu, v Turčiji in Rusiji. Izven teh območij se obrnite na svojega pooblaščenega posrednika izdelkov RYOBI, dealer ki vam bo povedal, ali velja kakšna druga garancija.

POOBLAŠČEN SERVISNI CENTER

Pooblaščen servisni center blizu vas poiščite na <http://en.ryobitools.eu/header/service-and-support/service-agents>.

SK ZÁRUČNÉ PODMIENKY RYOBI®

Na tento výrobok sa okrem všetkých zákonných práv, vyplývajúcich z nákupu, vzťahuje záruka v nasledovnom znení.

- Záručná doba pre spotrebiteľa je 24 mesiacov a začína plynúť odo dňa, kedy bol výrobok zakúpený. Tento dátum musí byť doložený faktúrou alebo iným dokladom o zakúpení. Výrobok je navrhnutý a určený pre spotrebiteľov a len na súkromné používanie. Preto sa záruka sa neposkytuje v prípade použitia na profesionálne a komerčné účely.
- V prípade záhradného náradia (na striedavý/jednosmerný prúd AC/DC), existuje možnosť predĺženia záručnej doby oproti záručnej dobe, uvedenej vyššie, s využitím on-line registrácie na webovej stránke www.ryobitools.eu. Označenie na náradí o nároku na predĺženie záručnej doby je zreteľne uvedené v obchodoch a/alebo na obale a je uvedené v dokumentácii k výrobku. Koncový používateľ musí zaregistrovať svoje novozískané náradie on-line do 30 dní odo dňa nákupu. Koncový používateľ sa môže zaregistrovať na predĺženie záruky v krajine svojho bydliska, ak je v on-line registračnom formulári uvedená táto možnosť. Ďalej musia koncoví používatelia ešte dať svoj súhlas k uchovávaní údajov, ktoré je potrebné zadať on-line a musia súhlasiť s podmienkami. Potvrdenie o prijatí registrácie, ktorý je zaslané e-mailom a originál faktúry, v ktorej je uvedený dátum nákupu, slúžia ako dôkaz o predĺženej záruke.
- Záruka sa vzťahuje na všetky poruchy výrobkov v záručnej dobe, spôsobené chybami materiálu alebo spracovania k dátumu nákupu. Táto záruka je obmedzená na opravu a/alebo výmenu a nezahŕňa ďalšie povinnosti, vrátane, okrem iných, náhodné alebo následné škody. Táto záruka je neplatná, ak bol výrobok nesprávne používaný, bol používaný v rozpore s návodom na použitie alebo bol nesprávne zapojený. Táto záruka sa nevzťahuje na:
 - akékoľvek poškodenie výrobku, ktoré bolo spôsobené nesprávnou obsluhou
 - akýkoľvek výrobok, ktorý bol zmenený alebo upravený
 - akýkoľvek výrobok, na ktorom bolo poškodené, upravené alebo odstránené identifikačné označenie (ochranná známka, výrobčné číslo)
 - akékoľvek škody, spôsobené neodržaním návodu na obsluhu
 - akýkoľvek výrobok, ktorý neobsahuje označenie CE
 - akýkoľvek výrobok, ktorý sa pokúšal opraviť nekvalifikovaný odborník alebo bol opravovaný bez predchádzajúceho súhlasu zo strany spoločnosti Techtronic Industries.
 - akýkoľvek výrobok, pripojený k nesprávnemu napájaciemu zdroju (ampéry, napätie, frekvencia)
 - akýkoľvek výrobok, používaný s nesprávnou palivovou zmesou (palivo, olej, percento oleja)
 - akékoľvek poškodenia, spôsobené vonkajšími vplyvmi (chemickými, fyzikálnymi, nárazmi) alebo cudzorodými látkami
 - bežné opotrebovanie náhradných dielov
 - nevhodné neschvalenie, pretavovanie nástroja
 - použitvanie neuschvaleného príslušenstva a dielov
 - Akékoľvek pravidelné úpravy alebo čistenie karburátorov, vykonávaných v rámci údržby
 - Súčiastky (diely a príslušenstvo), ktoré podliehajú prirodzenému opotrebeniu, okrem iných, otočné gombíky, hnače remene, spojka, nože na nožnice na živý plot alebo kosačku na trávu, popruhy, lanko škrťacej klapky, uhľiky, napájací kábel, radličky, plstené podložky, závesné klince, lopatky fúkačov, trubicе vysávača a fúkača, vak do vysávača a popruhy, vodiace lišty, retazovacie pily, hadice, spojovacie armatúry, trysky, kolesá, striekacie rúry, vnútorné čierky, vonkajšie čierky, žacie lanká, zapalovacie sviečky, vzduchové filtry, benzínové filtre, mulčovacie nože atď.
- Na opravu musí byť výrobok odoslaný alebo doručený do autorizovaného servisného strediska RYOBI, uvedeného pre každú krajinu v nasledovnom zozname adries servisných stredísk. V niektorých krajinách miestny zástupca RYOBI preberá na seba záväzok zaslať tovar do servisnej organizácie RYOBI. Pri odosielaní výrobku do servisného strediska RYOBI je potrebné výrobok bezpečne zabaliť bez akékoľvek nebezpečného obsahu, ako je bencín, s vyznačením adresy odsielateľa, s krátkym popisom poruchy.
- Oprava/výmena je v rámci tejto záruky bezplatná. Neznamená to predĺženie záruky alebo spustenie novej záručnej doby. Vymenené diely alebo nástroje sa stávajú našim vlastníctvom. V niektorých krajinách náklady na odoslanie alebo poštovné musí zaplatiť odsielateľ. Vaše zákonné práva, vyplývajúce z nákupu náradia, zostávajú nedotknuté.
- Táto záruka platí v Európskej únii, Švajčiarsku, Islande, Nórsku, Lichtenštajnsku, Turesku a Rusku. Ak sa nachádzate mimo týchto oblastí, obráťte sa na autorizovaného predajcu RYOBI na určenie, či sa dá uplatniť iná záruka.

AUTORIZOVANÉ SERVISNÉ CENTRUM

Ak chcete nájsť najbližšie autorizované servisné centrum, navštívte stránku <http://en.ryobitools.eu/header/service-and-support/service-agents>.

BG УСЛОВИЯ ЗА ВАЛИДНОСТ НА ГАРАНЦИЯТА НА RYOBI®

В допълнение към законоустановените права, произтичащи от покупката, този продукт е обхванат от гаранция, както е изложено по-долу.

- Гаранционният срок е 24 месеца за клиенти и започва да тече от деня на закупуване на продукта. Тази дата трябва да се докаже с фактура или друго доказателство за покупка. Продуктът е изработен и предназначен само за потребителска и лична употреба. Следователно не се дава гаранция в случай на използване от професионалисти или с търговска цел.
- Съществува възможност за удължаване на гаранционния срок за част от диапазона на гаранцията на градински инструменти (АC/DC) след изтичането на описания тук чрез регистрация на уеб сайта www.ryobitools.eu. В магазините и/или на опаковката или вътре в документацията на продукта е показано ясно дали инструментът отговаря на условията за такова удължаване на гаранционния срок. Крайният потребител трябва да регистрира своите новопридобити инструменти онлайн в рамките на 30 дни от датата на покупка. Крайният потребител може да се регистрира за удължена гаранция в държавата си на пребиваване, ако е посочена във формуляра за онлайн регистрация, която място, където тази опция е валидна. Освен това крайните потребители трябва да дадат съгласието си за съхранение на данните, които са задължителни за попълване онлайн, и трябва да приемат общите условия. Полученото потвърждение за регистрация, изпратено по електронна поща, и оригиналната фактура, показваща датата на покупка, ще служат като доказателство за удължената гаранция.
- Гаранцията покрива всички дефекти на продукта по време на гаранционния срок, които се дължат на проблеми в изработката или материалите към момента на покупката. Гаранцията е ограничена до ремонт и/или замяна и не включва други задължения, включително, но не само, случайни или косвени щети. Гаранцията е невалидна, ако продуктът е използван неправилно или в противоречие с ръководството с инструкции, както и ако е свързан неправилно. Тази гаранция не важи за:
 - щети по продукта в резултат на неправилна профилантика
 - продукти, които са били изменени или модифицирани
 - продукт, при който оригиналните маркировки за идентификация (търговска марка, серийн номер) са изтрили, променени или премахнати
 - повреда, причинена от неспазване на ръководството с инструкции
 - продукт без CE маркировка
 - продукт, за който е направен опит за ремонт от невалидиран специалист или без предварително разрешение от Technion Industries.
 - продукт, свързан към неподходяща електрозахранване (ампераж, волтаж, честота)
 - продукт, използван с неподходяща горивна смес (гориво, масло, процент масло)
 - щети, причинени от външни влияния (химични, физични, удари) или чужди вещества
 - нормално износване на резервни част
 - неподходяща употреба, претоварване на инструмента
 - използване на неодобрени аксесоари или части
 - Всякакви периодични настройки или почистване с цел извършване на поддръжка на карбуратори
 - Компоненти (част и аксесоари), подложени на естествено износване, включително, но не само, копчета за тласкане, задвижващи ремъци, съединител, остриета на ножичи за жив плет или косачки за трева, презарядки, кабелни дросели, карбонови четки, зареждащи кабел, остриета, филцови шайби, осигурителни щифтове, вентилатори на уреда за обдуване, тръби за обдуване и всмукване, торба за отпадъци и ремъци, водещи шини, вериги за триони, маркучи, фитинги на конектори, дюзи, копела, пръскалки, вълчурци и външни макари, режещо влакно, запалителни свещи, въздушни филтри, горивни филтри, остриета за мулчиране и др.
- За обслужване продуктът трябва да се изпрати или занесе на авторизирани сервиз на RYOBI, посочен за всяка държава в следния списък с адреси на сервизи. В някои държави местният търговец на RYOBI поема отговорността да изпрати продукта до сервизен център на RYOBI. При изпращане на продукт до сервиз на RYOBI той трябва да е опакован безопасно без опасност съдържане, напр. бензин, да е маркиран с адреса на подателя и придружаван от кратко описание на повредата.
- Ремонтът/замяната по силата на тази гаранция са безплатни. Те не водят до удължаване или подновяване на гаранционния срок. Сменените части или инструменти стават наша собственост. В някои държави таксите за доставка или изпращане трябва да се платят от подателя. Законоустановените ви права, произтичащи от закупуването на инструмента, остават незаеснати
- Тази гаранция е валидна в Европейската общност, Швейцария, Исландия, Норвегия, Лихтенщайн, Турция и Русия. Извън тези области се свържете с упълномощения търговец на RYOBI, за да се установи дали е приложима друга гаранция.

УПЪЛНОМОЩЕН СЕРВИЗЕН ЦЕНТЪР

За да намерите упълномощен сервизен център близо до вас, посетете <http://en.ryobitools.eu/header/service-and-support/service-agents>.

UK ГАРАНТИЙНИ УМОВИ ДЛЯ RYOBI®

Осрм загалом установленых законом прав, что стуютуются покупки, цей пристрой покривается гарантиєю, что зазначено ниже.

- Гарантийний період для споживачів складає 24 місяці і починається з моменту придбання цього пристрою. Ця дата повинна бути задокументована у гаранційному талоні або чеку, що підтверджує покупку. Цей пристрій був розроблений і призначений тільки для споживачого та приватного використання. У разі професійного або комерційного використання цього пристрою, він втрачає гарантію.
 - Існує можливість продовжити гарантійний період, понад період описаний вище, для частини лінійки садових інструментів (перемінного/ постійного струму) за допомогою реєстрації на сайті www.ryobitools.eu. Пристрій, які мають право на подовження гарантійного періоду, мають чіткі позначки щодо цього в магазинах і / або на упаковці / та документації до пристрою. Кінцевий користувач повинен зареєструвати його/її новопридбаний пристрій онлайн протягом 30 днів з дати покупки. Кінцевий користувач може зареєструватися для подовження гарантійного періоду в своїй країні постійного перебування, якщо вона є доступною у відповідній опції онлайн форми реєстрації. Крім того, кінцевий користувач повинні дати свою згоду на зберігання даних, які необхідні для введення онлайн, а також вони повинні прийняти правила та умови. Отримання підтвердження реєстрації, яке відправляється на адресу електронної пошти, та оригнал гарантійного талона із зазначеною датою покупки буде слугувати доказом подовженої гарантії.
 - Гарантія поширюється на всі дефекти пристрою протягом гарантійного терміну щодо недотримання стандартів виробництва або матеріалів на дату придбання. Гарантія обмежується ремонтом та/або заміною, та не включає в себе будь-яких інших зобов'язань, в тому числі, але необмежена у разі випадкових та подальших пошкоджень. Гарантія не діє, якщо пристрій використовувався неналежним чином, в суверен інструкції з експлуатації або був неправильно підключений до мережі. Дана гарантія не поширюється на:
 - пристрій, що були пошкоджені у результаті неправильного технічного обслуговування;
 - пристрій, що були видозмінені або модифіковані;
 - пристрій, оригінальне ідентифікаційне (товарний знак, серійний номер) маркування яких було пошкоджене, змінене або видалено;
 - будь-які пошкодження, заподіяні недотриманням інструкції з експлуатації;
 - пристрій, що не мають маркування CE;
 - пристрій, що були видімонтовані невалідікованим фахівцем або за відсутності попереднього дозволу від Technion Industries;
 - пристрій, підключений до невідповідного джерела живлення (сила току, напруга, частота);
 - пристрій, що використовувались із невідповідною паливною сумішшю (паливом, оливою, відсотковою часткою оливи);
 - будь-які пошкодження спричинені зовнішнім впливом (хімічним, фізичним, стрибком напруги) або сторонніми речовинами;
 - нормальну амортизацію запасних частин;
 - невідповідне використання, переважання пристрою;
 - використання непідтверджених запасних частин або аксесуарів;
 - Будь-які періодичні коригування або технічне очищення карбураторів
 - Компоненти (частини та аксесоари) з урахуванням нормального зношування, враховуючи але без обмеження на імпульсні кнопки, ремінь приводу, зчеплення, леза кущоріза або газонкосарки, ремінь, троси дросельного клапану, вугільні штилки, шнури живлення, зубці, фетрові підкладки, змічні штири, вентилатори повітротруди, трубки пилососа та повітротруди, вакуумні мішки та накладки, напрямні, ланцюжки, гнучі шланги, з'єднувальні фітінги, розпильовальні насадки, копеса, жорсткі сопла, внутрішні котушки, зовнішні золотники, ріжучу волосню, свічки запалення, повітряні фільтри, протигазові фільтри, мульчувальні леза, т.д.
4. Для обслуговування, пристрій має бути відправлений або поданий до одного з авторизованих сервісних центрів RYOBI, які перелічені для кожної країни у наступному переліку адрес сервісних центрів. У деяких країнах місцевий дилер RYOBI зобов'язується відправити пристрій до сервісного центру RYOBI. При відправленні пристрою до сервісного центру RYOBI, пристрій має бути надібно упакований без будь-якого небезпечного вмісту, наприклад бензину, з позначеною адресою відправника та супроводжуватися коротким описом несправності.
5. Ремонт / заміна відповідно до цієї гарантії здійснюється безкоштовно. Це не є основою для подовження або початку нового гарантійного періоду. Замінені частини або прилади переходять до власності компанії. У деяких країнах вартість доставки або поштові витрати повинні бути сплачені відправником. Загально встановлені права покупця на пристрій залишаються незмінними
6. Ця гарантія діє в Європейському Союзі, Швейцарії, Ісландії, Норвегії, Лихтенштейні, Туреччині та Росії. За межами цих зон, будь ласка, зверніться до офіційного дилера RYOBI, щоб визначити, чи застосовується інша гарантія.

АВТОРИЗОВАНІ СЕРВІСНІ ЦЕНТРИ

Для отримання оновленого переліка авторизованих сервісних центрів, відвідайте <http://en.ryobitools.eu/header/service-and-support/service-agents>.

TR RYOBI® GARANTİ UYGULAMA KOŞULLARI

Alımdan kaynaklanan yasal haklara ek olarak, ürün aşağıda belirtilen garanti kapsamındadır.

1. Tüketiciler için 24 ay olan garanti süresi, ürünün satın alındığı tarihte başlar. Bu tarihin bir fatura ya da alım kantıyla belgelenmesi gerekir. Ürün sadece tüketim ve özel kullanım için geliştirilmiş ve adanmıştır. Bu nedenle, profesyonel ya da ticari kullanım halinde garanti kapsamı sağlanmaz.
2. Bahçe aletlerinin bir bölümü (AC/DC) için www.ryobitools.eu sayfasındaki kayıt işlemini kullanarak garantinin belirtilen sürenin ötesine uzatma imkanı mevcuttur. Aletlerin garanti süresinin uzatılmasına uygun olup olmadığı mağazalarda ve / veya ambalajda açıkça belirtilmiş olup, ürün dokümantasyonunda gösterilir. Son kullanıcının yeni aldığı aletleri satın alma tarihini izleyen 30 gün içinde kaydetmesi gerekir. Son kullanıcı ikamet ettiği ülkede, bu seçeneğin geçerli olduğu çevrimiçi kayıt formunda belirtilmişse, uzatılmış garanti süresi için kayıt yapılabilir. Dahası, son kullanıcıların çevrimiçi giriş için gerekli verilerin kaydedilmesine izin vermeli ve hüküm ve koşulları kabul etmelidir. E-posta ile gönderilen kayıt teyit makbuzu ve alım tarihini gösteren orijinal fatura uzatılmış garantinin kanıtı olarak değerlendirilir.
3. Garanti, ürünün alım tarihindeki işçilik ve malzeme kusurları nedeniyle garanti süresi içinde oluşacak bütün arızalarını kapsar. Bu garanti onarım ve değiştirmeyle sınırlı olup, tesadüfi ya da dolaylı hasarlar da dahil, ancak bunlarla kısıtlı olmayan başka hiçbir taahhüdü kapsamaz. Garanti, ürünün kötü, kullanıcı kılavuzuna aykırı kullanılmış ya da yanlış bağlanmış olması halinde geçerli değildir. Bu garanti aşağıdakileri kapsamaz:
 - üründe, yanlış bakımdan kaynaklanan herhangi bir hasar
 - değiştirilmiş ya da modifiye edilmiş herhangi bir ürün
 - orijinal tanıtmış işaretleri (ticari marka, seri numarası) silinmiş, değiştirilmiş ya da kaldırılmış herhangi bir ürün
 - kullanma kılavuzuna uymamaktan kaynaklanmış herhangi bir hasar
 - herhangi bir AT dışı ürün
 - kalifiye olmayan personel tarafından ya da önceden Techtronic Industries onayı alınmadan onarılmış herhangi bir ürün.
 - uygunsuz güç kaynağına (amper, voltaj, frekans) bağlanmış herhangi bir ürün
 - uygunsuz bir yakıt karışımıyla (yakıt, yağ, yap yüzdesi) kullanılmış herhangi bir ürün
 - harici etkenlerden (kimyasal, fiziksel, darbe) veya yabancı cisimlerden kaynaklanan her türlü hasar
 - normal aşınır ve yıpranır aksam
 - uygunsuz kullanım, aletin aşırı yüklenmesi
 - onaysız aksesuar veya parça kullanımı
 - Karbüratörlere uygulanacak her türlü periyodik ayar, bakım veya temizlik
 - Darbe Dügmeleri, Tahrik Kayışları, Kavrama, Çit Budama ya da Çim Biçme Makinelerinin Bıçakları, Kayış Koşumlar, Kablo Gaz, Kömür Fırçalar, Güç Kablo, Dişler, Keçe Rondelalar, Bağlantı Pimleri, Üfleyci Pervaneleri, Üfleyci ve Vakum Boruları, Vakum Torbası ve Kayışları, Kılavuz Çubuklar, Zincir Testere, Hortumlar, Konektör bağlantıları, Püskürtme Memeleri, Çarklar, Püskürtme Çubukları, Dahili Makaralar, Harici Makaralar, Kesme Telleri, Bujiler, Hava Filtreleri, Gaz Filtreleri, Malçlama Bıçakları vb. gibi parçaları kapsayan, ancak bunlarla sınırlı olmayan, aşınma ve yıpranmaya tabi bileşenler (aksam ve aksesuarlar).
4. Ürünün servis için her ülkede aşağıdaki servis istasyonları adres listesinde yer alan yetkili bir RYOBI servis istasyonuna gönderilmesi ya götürülmesi gereklidir. Bazı ülkelerde, yerel RYOBI distribütörünüz ürünü RYOBI servis teşkilatına göndermeyi üstlenir. Bir ürün bir RYOBI servis istasyonuna gönderilirken, ürünün güvenli bir biçimde ambalajlanması, benzin gibi tehlikeli maddeler içermemesi, gönderenin adresini taşınması ve arızanın kısa bir açıklamasını içermesi gerekir.
5. Bu garanti kapsamında yapılacak onarım / değişiklik ücretsizdir. Garanti süresinin uzatılması ya da yeniden başlatılması anlamına gelmez. Değiştirilmiş parçalar veya aletler bize ait olur. Bazı ülkelerde teslim ücretleri veya posta giderlerinin gönderici tarafından ödenmesi gerekir. Alımdan kaynaklanan yasal haklarınız etkilenmez.
6. Bu Garanti Avrupa Topluluğu, İsviçre, İzlanda, Norveç, Liechtenstein, Türkiye ve Rusya'da geçerlidir. Bu alanların dışında, başka bir garantinin geçerli olup olmadığını belirlemek için lütfen yetkili RYOBI distribütörünüzle irtibata geçin.

YETKİLİ SERVİS MERKEZİ

En yakın yetkili servis merkezini öğrenmek için <http://en.ryobitools.eu/header/service-and-support/service-agents> sitesine girin.

EN DECLARATION OF CONFORMITY

Techtronic Industries GmbH
Max-Eyth-Straße 10, 71364 Winnenden, Germany

Herewith we declare that the product

Electric Chainsaw
Brand: RYOBI
Model number: RCS1935B/RCS2340B
Serial number range:
RCS1935B: 46281601000001 - 46281601999999
RCS2340B: 46282201000001 - 46282201999999

is in conformity with the following European Directives and harmonised standards
2006/42/EC, 2014/30/EU, 2000/14/EC, 2005/88/EC, 2011/65/EU,
EN 60745-1:2009+A11:2010, EN 60745-2-13:2009+A1:2010,
EN 55014-1:2017, EN 55014-2:2015, EN 61000-3-2:2014,
EN 61000-3-11:2000, EN 50581:2012

RCS1935B
Measured sound power level: 102.8 dB(A)
Guaranteed sound power level: 104 dB(A)
Conformity assessment method to Annex V Directive 2000/14/EC amended by 2005/88/EC.

RCS2340B
Measured sound power level: 103.3 dB(A)
Guaranteed sound power level: 105 dB(A)
Conformity assessment method to Annex V Directive 2000/14/EC amended by 2005/88/EC.

Notified body, 0197 TÜV Rheinland LGA Products GmbH; Tillystraße 2 D - 90431 Nürnberg, Germany has carried out EC type approval, and the certificate number is: BM 50414705 0001.

Andrew John Eyre (BEng, CEng, MIET)
Vice President, Regulatory & Safety
Winnenden, Aug. 30, 2018

Authorised to compile the technical file:
Alexander Krug, Managing Director
Techtronic Industries GmbH
Max-Eyth-Straße 10, 71364 Winnenden, Germany

DE KONFORMITÄTSERKLÄRUNG

Techtronic Industries GmbH
Max-Eyth-Straße 10, 71364 Winnenden, Germany

Hiermit erklären wir, dass die Produkte

Elektrische Kettensäge
Marke: RYOBI
Modellnummer: RCS1935B/RCS2340B
Seriennummernbereich:
RCS1935B: 46281601000001 - 46281601999999
RCS2340B: 46282201000001 - 46282201999999

mit den folgenden europäischen Richtlinien und harmonisierten Normen entspricht
2006/42/EC, 2014/30/EU, 2000/14/EC, 2005/88/EC, 2011/65/EU,
EN 60745-1:2009+A11:2010, EN 60745-2-13:2009+A1:2010,
EN 55014-1:2017, EN 55014-2:2015, EN 61000-3-2:2014,
EN 61000-3-11:2000, EN 50581:2012

RCS1935B
Gemessener Schalleistungspegel: 102,8 dB(A)
Garantierter Schalleistungspegel: 104 dB(A)
Konformitätsbeurteilungsmethode zu Anhang V Richtlinie 2000/14/EC wie durch 2005/88/EC.

RCS2340B
Gemessener Schalleistungspegel: 103,3 dB(A)
Garantierter Schalleistungspegel: 105 dB(A)
Konformitätsbeurteilungsmethode zu Anhang V Richtlinie 2000/14/EC wie durch 2005/88/EC.

Benannte Stelle, 0197 TÜV Rheinland LGA Products GmbH; Tillystraße 2 D - 90431 Nürnberg, Germany hat die EC Typen-Überprüfung durchgeführt und die Zertifikatnummer lautet: BM 50414705 0001.

Andrew John Eyre (BEng, CEng, MIET)
Vizepräsident, Vorschriften und Sicherheit
Winnenden, Aug. 30, 2018

Autorisiert die technische Datei zu erstellen:
Alexander Krug, Geschäftsführer
Techtronic Industries GmbH
Max-Eyth-Straße 10, 71364 Winnenden, Germany

FR DÉCLARATION DE CONFORMITÉ

Techtronic Industries GmbH
Max-Eyth-Straße 10, 71364 Winnenden, Germany

Déclarons par la présente que le produit

Tronçonneuse Électrique
Marque: RYOBI
Numéro de modèle: RCS1935B/RCS2340B
Étendue des numéros de série:
RCS1935B: 46281601000001 - 46281601999999
RCS2340B: 46282201000001 - 46282201999999

est conforme aux Directives Européennes et Normes Harmonisées suivantes
2006/42/EC, 2014/30/EU, 2000/14/EC, 2005/88/EC, 2011/65/EU,
EN 60745-1:2009+A11:2010, EN 60745-2-13:2009+A1:2010,
EN 55014-1:2017, EN 55014-2:2015, EN 61000-3-2:2014,
EN 61000-3-11:2000, EN 50581:2012

RCS1935B
Niveau de puissance sonore mesuré: 102,8 dB(A)
Niveau de puissance sonore garanti: 104 dB(A)
Méthode d'évaluation de conformité de l'annexe V Directive 2000/14/EC modifiée 2005/88/EC.

RCS2340B
Niveau de puissance sonore mesuré: 103,3 dB(A)
Niveau de puissance sonore garanti: 105 dB(A)
Méthode d'évaluation de conformité de l'annexe V Directive 2000/14/EC modifiée 2005/88/EC.

L'organisme notifié, 0197 TÜV Rheinland LGA Products GmbH; Tillystraße 2 D - 90431 Nürnberg, Germany a validé la conformité EC, et le No de certificat est: BM 50414705 0001.

Andrew John Eyre (BEng, CEng, MIET)
Vice-Président, Réglementation & Sécurité
Winnenden, Aug. 30, 2018

Autorisé à rédiger le dossier technique:
Alexander Krug, Directeur Général
Techtronic Industries GmbH
Max-Eyth-Straße 10, 71364 Winnenden, Germany

ES DECLARACIÓN DE CONFORMIDAD

Techtronic Industries GmbH
Max-Eyth-Straße 10, 71364 Winnenden, Germany

Por la presente declaramos que los productos

Sierra Eléctrica
Marca: RYOBI
Número de modelo: RCS1935B/RCS2340B
Intervalo del número de serie:
RCS1935B: 46281601000001 - 46281601999999
RCS2340B: 46282201000001 - 46282201999999

se encuentra en conformidad con las siguientes Directivas Europeas y normas armonizadas
2006/42/EC, 2014/30/EU, 2000/14/EC, 2005/88/EC, 2011/65/EU,
EN 60745-1:2009+A11:2010, EN 60745-2-13:2009+A1:2010,
EN 55014-1:2017, EN 55014-2:2015, EN 61000-3-2:2014,
EN 61000-3-11:2000, EN 50581:2012

RCS1935B
Nivel de potencia acústica medido: 102,8 dB(A)
Nivel de potencia acústica garantizado: 104 dB(A)
Método de evaluación de conformidad con el anexo V Directiva 2000/14/EC modificada por la 2005/88/EC.

RCS2340B
Nivel de potencia acústica medido: 103,3 dB(A)
Nivel de potencia acústica garantizado: 105 dB(A)
Método de evaluación de conformidad con el anexo V Directiva 2000/14/EC modificada por la 2005/88/EC.

El organismo notificado, 0197 TÜV Rheinland LGA Products GmbH; Tillystraße 2 D - 90431 Nürnberg, Germany ha llevado a cabo la homologación de tipo EC, y el n.º de certificado es: BM 50414705 0001.

Andrew John Eyre (BEng, CEng, MIET)
Vicepresidente, Director General de Normativa y Seguridad
Winnenden, Aug. 30, 2018

Autorizado para elaborar la ficha técnica:
Alexander Krug, Administrador Ejecutivo
Techtronic Industries GmbH
Max-Eyth-Straße 10, 71364 Winnenden, Germany

IT DICHIARAZIONE DI CONFORMITÀ

Techtronic Industries GmbH
Max-Eyth-Straße 10, 71364 Winnenden, Germany

Si dichiara con la presente che il prodotto

Motosega Elettrica
Marca: RYOBI
Numero modello: RCS1935B/RCS2340B
Gamma numero seriale:
RCS1935B: 46281601000001 - 46281601999999
RCS2340B: 46282201000001 - 46282201999999

è conforme alle seguenti Direttive Europee e ai seguenti standard armonizzati
2006/42/EC, 2014/30/EU, 2000/14/EC, 2005/88/EC, 2011/65/EU,
EN 60745-1:2009+A11:2010, EN 60745-2-13:2009+A1:2010,
EN 55014-1:2017, EN 55014-2:2015, EN 61000-3-2:2014,
EN 61000-3-11:2000, EN 50581:2012

RCS1935B
Livello di potenza acustica misurato: 102,8 dB(A)
Livello di potenza sonora garantita: 104 dB(A)
Metodo di valutazione sulla conformità all'allegato V Direttiva 2000/14/EC modificata con la 2005/88/EC.

RCS2340B
Livello di potenza acustica misurato: 103,3 dB(A)
Livello di potenza sonora garantita: 105 dB(A)
Metodo di valutazione sulla conformità all'allegato V Direttiva 2000/14/EC modificata con la 2005/88/EC.

Ente notificatore, 0197 TÜV Rheinland LGA Products GmbH; Tillystraße 2 D - 90431 Nürnberg, Germany ha svolto i test di conformità EC e il N. del certificato è. BM 50414705 0001.


Andrew John Eyre (BEng, CEng, MIET)
Vice-Presidente, Dipartimento Regolazioni & Sicurezza
Winnenden, Aug. 30, 2018

Autorizzato per compilare il file tecnico:
Alexander Krug, Direttore Amministrativo
Techtronic Industries GmbH
Max-Eyth-Straße 10, 71364 Winnenden, Germany

CE

PT DECLARAÇÃO DE CONFORMIDADE

Techtronic Industries GmbH
Max-Eyth-Straße 10, 71364 Winnenden, Germany

Pelo presente declaramos que os produtos

Serra Elétrica
Marca: RYOBI
Número do modelo: RCS1935B/RCS2340B
Intervalo do número de série:
RCS1935B: 46281601000001 - 46281601999999
RCS2340B: 46282201000001 - 46282201999999

se encontra em conformidade com as seguintes Directivas Europeias e normas harmonizadas

2006/42/EC, 2014/30/EU, 2000/14/EC, 2005/88/EC, 2011/65/EU,
EN 60745-1:2009+A11:2010, EN 60745-2-13:2009+A1:2010,
EN 55014-1:2017, EN 55014-2:2015, EN 61000-3-2:2014,
EN 61000-3-11:2000, EN 50581:2012

RCS1935B
Nível de potência sonora medido: 102,8 dB(A)
Nível de potência sonora garantido: 104 dB(A)
Método de avaliação de conformidade para o anexo V Directiva 2000/14/EC alterada por 2005/88/EC.

RCS2340B
Nível de potência sonora medido: 103,3 dB(A)
Nível de potência sonora garantido: 105 dB(A)
Método de avaliação de conformidade para o anexo V Directiva 2000/14/EC alterada por 2005/88/EC.

Órgão notificado, 0197 TÜV Rheinland LGA Products GmbH; Tillystraße 2 D - 90431 Nürnberg, Germany realizou a aprovação tipo EC, e o certificado é o N.º. BM 50414705 0001.


Andrew John Eyre (BEng, CEng, MIET)
Vice-Presidente, Regulamentação & Segurança
Winnenden, Aug. 30, 2018

Autorizado para compilar o ficheiro técnico:
Alexander Krug, Administrador Executivo
Techtronic Industries GmbH
Max-Eyth-Straße 10, 71364 Winnenden, Germany

CE

NL CONFORMITEITSVERKLARING

Techtronic Industries GmbH
Max-Eyth-Straße 10, 71364 Winnenden, Germany

Hierbij verklaren wij dat het product

Elektrische Kettingzaagmachine
Merik: RYOBI
Modelnummer: RCS1935B/RCS2340B
Serienummerbereik:
RCS1935B: 46281601000001 - 46281601999999
RCS2340B: 46282201000001 - 46282201999999

is in overeenstemming met de volgende Europese Richtlijnen en geharmoniseerde normen

2006/42/EC, 2014/30/EU, 2000/14/EC, 2005/88/EC, 2011/65/EU,
EN 60745-1:2009+A11:2010, EN 60745-2-13:2009+A1:2010,
EN 55014-1:2017, EN 55014-2:2015, EN 61000-3-2:2014,
EN 61000-3-11:2000, EN 50581:2012

RCS1935B
Gemeten geluidsniveau: 102,8 dB(A)
Gegarandeerd geluidsniveau: 104 dB(A)
Evaluatiemethode conformiteit volgens bijlage V Richtlijn 2000/14/EC gewijzigd door 2005/88/EC.

RCS2340B
Målt lydteknisk: 103,3 dB(A)
Garanteret lydteknisk: 105 dB(A)
Evaluatiemethode conformiteit volgens bijlage V Richtlijn 2000/14/EC gewijzigd door 2005/88/EC.

Aangemelde instantie, 0197 TÜV Rheinland LGA Products GmbH; Tillystraße 2 D - 90431 Nürnberg, Germany heeft de EC-typegoedkeuring uitgeoefend en het certificaatnr. is. BM 50414705 0001.


Andrew John Eyre (BEng, CEng, MIET)
Vice-president, Regelgeving en Veiligheid
Winnenden, Aug. 30, 2018

Afgevaardigde voor het samenstellen van de technische fiche:
Alexander Krug, Directeur
Techtronic Industries GmbH
Max-Eyth-Straße 10, 71364 Winnenden, Germany

CE

DA OVERENSSTEMMELSESRKLÆRING

Techtronic Industries GmbH
Max-Eyth-Straße 10, 71364 Winnenden, Germany

Vi erklærer hermed, at produktet

Elektrisk Kædesav
Brand: RYOBI
Modelnummer: RCS1935B/RCS2340B
Serienummerområde:
RCS1935B: 46281601000001 - 46281601999999
RCS2340B: 46282201000001 - 46282201999999

er i overensstemmelse med følgende EU-direktiver og harmoniserede standarder

2006/42/EC, 2014/30/EU, 2000/14/EC, 2005/88/EC, 2011/65/EU,
EN 60745-1:2009+A11:2010, EN 60745-2-13:2009+A1:2010,
EN 55014-1:2017, EN 55014-2:2015, EN 61000-3-2:2014,
EN 61000-3-11:2000, EN 50581:2012

RCS1935B
Målt støjniveau: 102,8 dB(A)
Garanteret støjniveau: 104 dB(A)
Overensstemmelsesvurderingsmetode til bilag V Direktiv 2000/14/EC ændret ved 2005/88/EC.

RCS2340B
Målt lydteknisk: 103,3 dB(A)
Garanteret lydteknisk: 105 dB(A)
Overensstemmelsesvurderingsmetode til bilag V Direktiv 2000/14/EC ændret ved 2005/88/EC.

Bemyndiget organ, 0197 TÜV Rheinland LGA Products GmbH; Tillystraße 2 D - 90431 Nürnberg, Germany har foretaget EC-typegodkendelse, og certifikatnummeret er. BM 50414705 0001.


Andrew John Eyre (BEng, CEng, MIET)
Vicepræsident, Regler og Sikkerhed
Winnenden, Aug. 30, 2018

Bemyndiget til at udarbejde det tekniske kartotek:
Alexander Krug, Administrerende Direktør
Techtronic Industries GmbH
Max-Eyth-Straße 10, 71364 Winnenden, Germany

CE

(SV) KONFORMITETSDEKLARATION

Technronic Industries GmbH
Max-Eyth-Straße 10, 71364 Winnenden, Germany

Härmed deklarerar vi att produkterna

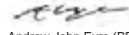
Elektrisk Motorsåg
Märke: RYOBI
Modellnummer: RCS1935B/RCS2340B
Serienummerintervall:
RCS1935B: 46281601000001 - 46281601999999
RCS2340B: 46282201000001 - 46282201999999

är i enlighet med följande EU-direktiv och harmoniserade standarder
2006/42/EC, 2014/30/EU, 2000/14/EC, 2005/88/EC, 2011/65/EU,
EN 60745-1:2009+A11:2010, EN 60745-2-13:2009+A1:2010,
EN 55014-1:2017, EN 55014-2:2015, EN 61000-3-2:2014,
EN 61000-3-11:2000, EN 50581:2012

RCS1935B
Uppmått ljudeffektnivå: 102,8 dB(A)
Garanterad ljudeffektnivå: 104 dB(A)
Konformitetsbedömning gjord enligt metod i V Direktiv 2000/14/EC samt tillägg
i 2005/88/EC.

RCS2340B
Uppmått ljudeffektnivå: 103,3 dB(A)
Garanterad ljudeffektnivå: 105 dB(A)
Konformitetsbedömning gjord enligt metod i V Direktiv 2000/14/EC samt tillägg
i 2005/88/EC.

Anmält organ: 0197 TÜV Rheinland LGA Products GmbH, Tillystraße 2 D - 90431
Nürnberg, Germany har utfört EC-typgodkännandet och certifikatnumret är:
BM 50414705 0001.


Andrew John Eyre (BEng, CEng, MIET)
Vice President, Regelverk och Säkerhet
Winnenden, Aug. 30, 2018

Godkänd att sammanställa den tekniska filen:
Alexander Krug, VD
Technronic Industries GmbH
Max-Eyth-Straße 10, 71364 Winnenden, Germany

**(NO) SAMSVARERKLÆRING**

Technronic Industries GmbH
Max-Eyth-Straße 10, 71364 Winnenden, Germany

Herved erklærer vi at produktet

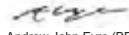
Elektrisk Kjedesag
Märke: RYOBI
Modellnummer: RCS1935B/RCS2340B
Serienummerserie:
RCS1935B: 46281601000001 - 46281601999999
RCS2340B: 46282201000001 - 46282201999999

er i samsvar med følgende europeiske direktiver og harmoniserte standarder
2006/42/EC, 2014/30/EU, 2000/14/EC, 2005/88/EC, 2011/65/EU,
EN 60745-1:2009+A11:2010, EN 60745-2-13:2009+A1:2010,
EN 55014-1:2017, EN 55014-2:2015, EN 61000-3-2:2014,
EN 61000-3-11:2000, EN 50581:2012

RCS1935B
Målt lydfeffektnivå: 102,8 dB(A)
Garantert lydfeffektnivå: 104 dB(A)
Metode for vurdering av konformitet til Tillegg V Direktiv 2000/14/EC endret ved
2005/88/EC.

RCS2340B
Målt lydfeffektnivå: 103,3 dB(A)
Garantert lydfeffektnivå: 105 dB(A)
Metode for vurdering av konformitet til Tillegg V Direktiv 2000/14/EC endret ved
2005/88/EC.

Teknisk kontrollorgan, 0197 TÜV Rheinland LGA Products GmbH, Tillystraße
2 D - 90431 Nürnberg, Germany har gjennomført EC typegodkjenning, og
sertifikatnummeret er: BM 50414705 0001.


Andrew John Eyre (BEng, CEng, MIET)
Visepresident, Forskrifter og Sikkerhet
Winnenden, Aug. 30, 2018

Autorisert til å sette sammen den tekniske filen:
Alexander Krug, Administrerende Direktør
Technronic Industries GmbH
Max-Eyth-Straße 10, 71364 Winnenden, Germany

**(FI) SÄÄNNÖSTEN NOUDATTAMINEN**

Technronic Industries GmbH
Max-Eyth-Straße 10, 71364 Winnenden, Germany

Ilmoitamme täten, että tuotteet

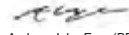
Sähkökäyttöinen Moottorisaha
Tuotemerkki: RYOBI
Mallinnumero: RCS1935B/RCS2340B
Sarjanumerovalue:
RCS1935B: 46281601000001 - 46281601999999
RCS2340B: 46282201000001 - 46282201999999

noudattaa seuraavia EU-direktiivejä ja harmonoituja standardeja
2006/42/EC, 2014/30/EU, 2000/14/EC, 2005/88/EC, 2011/65/EU,
EN 60745-1:2009+A11:2010, EN 60745-2-13:2009+A1:2010,
EN 55014-1:2017, EN 55014-2:2015, EN 61000-3-2:2014,
EN 61000-3-11:2000, EN 50581:2012

RCS1935B
Mitattu äänenteho: 102,8 dB(A)
Taattu äänenteho: 104 dB(A)
Säännösten noudattaminen tarkastettu direktiivin 2000/14/EC liitteen V mukaisesti
muunnettu direktiivillä 2005/88/EC.

RCS2340B
Målt lydfeffektnivå: 103,3 dB(A)
Garantert lydfeffektnivå: 105 dB(A)
Säännösten noudattaminen tarkastettu direktiivin 2000/14/EC liitteen V mukaisesti
muunnettu direktiivillä 2005/88/EC.

Ilmoituksen saanut elin, 0197 TÜV Rheinland LGA Products GmbH, Tillystraße
2 D - 90431 Nürnberg, Germany, on suorittanut EC-tyyppisen hyväksynnän, ja
todistuksen numero on: BM 50414705 0001.


Andrew John Eyre (BEng, CEng, MIET)
Varatoimitusjohtaja, Säädosmenkaisuus ja Turvallisuus
Winnenden, Aug. 30, 2018

Valtuutettu kokoonpan tekninen tiedosto:
Alexander Krug, Toimitusjohtaja
Technronic Industries GmbH
Max-Eyth-Straße 10, 71364 Winnenden, Germany

**(RU) ЗАЯВЛЕНИЕ О СООТВЕТСТВИИ ТРЕБОВАНИЯМ**

Technronic Industries GmbH
Max-Eyth-Straße 10, 71364 Winnenden, Germany

Настоящим мы заявляем, что данный продукт

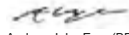
Электрическая Цепная Пила
Марка: RYOBI
Номер модели: RCS1935B/RCS2340B
Диапазон заводских номеров:
RCS1935B: 46281601000001 - 46281601999999
RCS2340B: 46282201000001 - 46282201999999

соответствует требованиям следующих Директив ЕС и согласованных
стандартов
2006/42/EC, 2014/30/EU, 2000/14/EC, 2005/88/EC, 2011/65/EU,
EN 60745-1:2009+A11:2010, EN 60745-2-13:2009+A1:2010,
EN 55014-1:2017, EN 55014-2:2015, EN 61000-3-2:2014,
EN 61000-3-11:2000, EN 50581:2012

RCS1935B
Измеренный уровень звуковой мощности: 102,8 dB(A)
Гарантируемый уровень звуковой мощности: 104 dB(A)
Способ оценки соответствия, приложение V к директиве 2000/14/EC с
изменениями 2005/88/EC.

RCS2340B
Målt lydfeffektnivå: 103,3 dB(A)
Garantert lydfeffektnivå: 105 dB(A)
Способ оценки соответствия, приложение V к директиве 2000/14/EC с
изменениями 2005/88/EC.

Нотифицированная организация, 0197 TÜV Rheinland LGA Products GmbH,
Tillystraße 2 D - 90431 Nürnberg, Germany выполнила утверждение типового
образца по стандарту ЕС, номер сертификата: BM 50414705 0001.


Andrew John Eyre (BEng, CEng, MIET)
Вице-Президент По Технике Безопасности И Стандартам
Winnenden, Aug. 30, 2018

Лицо, ответственное за подготовку технической документации:
Alexander Krug, Директор
Technronic Industries GmbH
Max-Eyth-Straße 10, 71364 Winnenden, Germany



PL DEKLARACJA ZGODNOŚCI

Techtronic Industries GmbH
Max-Eyth-Straße 10, 71364 Winnenden, Germany

Niniejszym deklarujemy, że produkty
Elektryczna Półka Łańcuchowa
Marka: RYOBI
Numer modelu: RCS1935B/RCS2340B
Zakres numerów seryjnych:
RCS1935B: 46281601000001 - 46281601999999
RCS2340B: 46282201000001 - 46282201999999

jest zgodny z następującymi dyrektywami europejskimi i zharmonizowanymi normami

2006/42/EC, 2014/30/EU, 2000/14/EC, 2005/88/EC, 2011/65/EU,
EN 60745-1:2009+A11:2010, EN 60745-2-13:2009+A1:2010,
EN 55014-1:2017, EN 55014-2:2015, EN 61000-3-2:2014,
EN 61000-3-11:2000, EN 50581:2012

RCS1935B
Zmierzony poziom natężenia hałasu: 102,8 dB(A)
Maksymalny poziom natężenia hałasu: 104 dB(A)
Metoda ocena zgodności zgodnie z aneksem V Dyrektywa 2000/14/EC zmieniona przez dyrektywę 2005/88/EC.

RCS2340B
Zmierzony poziom natężenia hałasu: 103,3 dB(A)
Maksymalny poziom natężenia hałasu: 105 dB(A)
Metoda ocena zgodności zgodnie z aneksem V Dyrektywa 2000/14/EC zmieniona przez dyrektywę 2005/88/EC.

Jednostka notyfikowana, 0197 TÜV Rheinland LGA Products GmbH; Tillystraße 2 D - 90431 Nürnberg, Germany potwierdziła zgodność z dyrektywami EC, nr certyfikat. BM 50414705 0001.

Andrew John Eyre (BEng, CEng, MIET)
Wiceprezes ds. Zgodności Prawnej i Bezpieczeństwa
Winnenden, Aug. 30, 2018

Osoba upoważniona do sporządzenia dokumentu technicznego:
Alexander Krug, Dyrektor Zarządzający
Techtronic Industries GmbH
Max-Eyth-Straße 10, 71364 Winnenden, Germany

CE

HU MEGFELELŐSÉGI NYILATKOZÁS

Techtronic Industries GmbH
Max-Eyth-Straße 10, 71364 Winnenden, Germany

Ezúton kijelentjük, hogy a termék
Elektronos Láncfűrész
Márka: RYOBI
Típuszám: RCS1935B/RCS2340B
Sorozatszám tartomány:
RCS1935B: 46281601000001 - 46281601999999
RCS2340B: 46282201000001 - 46282201999999

megfelel az alábbi Európai Irányelvek és harmonizált szabványok vonatkozó rendelkezéseinek

2006/42/EC, 2014/30/EU, 2000/14/EC, 2005/88/EC, 2011/65/EU,
EN 60745-1:2009+A11:2010, EN 60745-2-13:2009+A1:2010,
EN 55014-1:2017, EN 55014-2:2015, EN 61000-3-2:2014,
EN 61000-3-11:2000, EN 50581:2012

RCS1935B
Mért hangteljesítményszint: 102,8 dB(A)
Garantált hangteljesítményszint: 104 dB(A)
A megfelelőségi értékelési eljárás a 2000/14/EC irányelv V. függeléké szerint történt által módosított 2005/88/EC irányelv.

RCS2340B
Mért hangteljesítményszint: 103,3 dB(A)
Garantált hangteljesítményszint: 105 dB(A)
A megfelelőségi értékelési eljárás a 2000/14/EC irányelv V. függeléké szerint történt által módosított 2005/88/EC irányelv.

Az EC típusjóváhagyási eljárást a 0197 TÜV Rheinland LGA Products GmbH; Tillystraße 2 D - 90431 Nürnberg, Germany alatti tanúsító testület végezte; a tanúsítvány száma. BM 50414705 0001.

Andrew John Eyre (BEng, CEng, MIET)
Alelnök, Megfelelőségi és Biztonsági Területek
Winnenden, Aug. 30, 2018

A műszaki dokumentáció összeállítására felhatalmazott:
Alexander Krug, Ügyvezető Igazgató
Techtronic Industries GmbH
Max-Eyth-Straße 10, 71364 Winnenden, Germany

CE

CS PROHLÁŠENÍ O SHODĚ

Techtronic Industries GmbH
Max-Eyth-Straße 10, 71364 Winnenden, Germany

Tímto prohlašujeme, že výrobky
Elektrická Řetězová Pila
Značka: RYOBI
Číslo modelu: RCS1935B/RCS2340B
Rozsah sériových čísel:
RCS1935B: 46281601000001 - 46281601999999
RCS2340B: 46282201000001 - 46282201999999

že tento výrobek je v souladu s evropskými a harmonizovanými standardy

2006/42/EC, 2014/30/EU, 2000/14/EC, 2005/88/EC, 2011/65/EU,
EN 60745-1:2009+A11:2010, EN 60745-2-13:2009+A1:2010,
EN 55014-1:2017, EN 55014-2:2015, EN 61000-3-2:2014,
EN 61000-3-11:2000, EN 50581:2012

RCS1935B
Změřená hladina akustického výkonu: 102,8 dB(A)
Zaručená hladina akustického výkonu: 104 dB(A)
Soulad s metodou určování pro přílohu V směrnice 2000/14/EC upravená 2005/88/EC.

RCS2340B
Změřená hladina akustického výkonu: 103,3 dB(A)
Zaručená hladina akustického výkonu: 105 dB(A)
Soulad s metodou určování pro přílohu V směrnice 2000/14/EC upravená 2005/88/EC.

Úředně oznámený orgán, 0197 TÜV Rheinland LGA Products GmbH; Tillystraße 2 D - 90431 Nürnberg, Germany provedl typovou zkoušku EC a vystavil osvědčení č. BM 50414705 0001.

Andrew John Eyre (BEng, CEng, MIET)
Viceprezident, Normy a Bezpečnost
Winnenden, Aug. 30, 2018

Pověření ke kompilaci technického souboru:
Alexander Krug, Generální Ředitel
Techtronic Industries GmbH
Max-Eyth-Straße 10, 71364 Winnenden, Germany

CE

RO DECLARAȚIE DE CONFORMITATE

Techtronic Industries GmbH
Max-Eyth-Straße 10, 71364 Winnenden, Germany

Prin prezenta, declarăm că produsele
Ferăstrău Cu Lanț Electric
Marcă: RYOBI
Număr serie: RCS1935B/RCS2340B
Gamă număr serie:
RCS1935B: 46281601000001 - 46281601999999
RCS2340B: 46282201000001 - 46282201999999

este în conformitate cu următoarele Directive Europene și standarde armonizate

2006/42/EC, 2014/30/EU, 2000/14/EC, 2005/88/EC, 2011/65/EU,
EN 60745-1:2009+A11:2010, EN 60745-2-13:2009+A1:2010,
EN 55014-1:2017, EN 55014-2:2015, EN 61000-3-2:2014,
EN 61000-3-11:2000, EN 50581:2012

RCS1935B
Nivelul măsurat al puterii acustice: 102,8 dB(A)
Nivel garantat al puterii acustice: 104 dB(A)
Metoda de evaluare a conformității cu Anexa V Directiva 2000/14/EC modificată prin 2005/88/EC.

RCS2340B
Nivelul măsurat al puterii acustice: 103,3 dB(A)
Nivel garantat al puterii acustice: 105 dB(A)
Metoda de evaluare a conformității cu Anexa V Directiva 2000/14/EC modificată prin 2005/88/EC.

Agenția notificată, 0197 TÜV Rheinland LGA Products GmbH; Tillystraße 2 D - 90431 Nürnberg, Germany a efectuat o procedură de aprobare tip EC, iar nr. certificatului este. BM 50414705 0001.

Andrew John Eyre (BEng, CEng, MIET)
Vicepreședintele, Reglementare și Siguranță
Winnenden, Aug. 30, 2018

Autorizat să completeze fișa tehnică:
Alexander Krug, Director General
Techtronic Industries GmbH
Max-Eyth-Straße 10, 71364 Winnenden, Germany

CE



LV ATBILSTĪBAS DEKLARĀCIJA

Techtronic Industries GmbH
Max-Eyth-Straße 10, 71364 Winnenden, Germany

Ar šo paziņojam, ka produkti
Elektriskais Kādes Zāģis
Zīmols: RYOBI
Modeļa numurs: RCS1935B/RCS2340B
Sērijas numura intervāls:
RCS1935B: 46281601000001 - 46281601999999
RCS2340B: 46282201000001 - 46282201999999

atbilst šādām Eiropas direktīvām un saskaņotajiem standartiem
2006/42/EC, 2014/30/EU, 2000/14/EC, 2005/88/EC, 2011/65/EU,
EN 60745-1:2009+A11:2010, EN 60745-2-13:2009+A1:2010,
EN 55014-1:2017, EN 55014-2:2015, EN 61000-3-2:2014,
EN 61000-3-11:2000, EN 50581:2012

RCS1935B
Izmērītās skaņas jaudas līmenis: 102,8 dB(A)
Garantētais skaņas intensitātes līmenis: 104 dB(A)
Atbilstības novērtēšanas metode pielikumam V Direktīvai 2000/14/EC labota 2005/88/EC.

RCS2340B
Izmērītās skaņas jaudas līmenis: 103,3 dB(A)
Garantētais skaņas intensitātes līmenis: 105 dB(A)
Atbilstības novērtēšanas metode pielikumam V Direktīvai 2000/14/EC labota 2005/88/EC.

Informētā iestāde 0197 TÜV Rheinland LGA Products GmbH; Tillystraße 2 D - 90431 Nürnberg, Germany ir veikusi EC tipa pārbaudi, un sertifikāta Nr. Ir. BM 50414705 0001.

Andrew John Eyre (BEng, CEng, MIET)
Viceprezidents, Darba Drošības Noteikumi
Winnenden, Aug. 30, 2018

Pilnvarots sastādīt tehnisko failu:
Alexander Krug, Izpildītājs
Techtronic Industries GmbH
Max-Eyth-Straße 10, 71364 Winnenden, Germany

ET VASTAVUSDEKLARATSIIOON

Techtronic Industries GmbH
Max-Eyth-Straße 10, 71364 Winnenden, Germany

Kinnitame, et see toode
Elektriline Kattsaağ
Mark: RYOBI
Mudeli number: RCS1935B/RCS2340B
Seerianumbri vahemik:
RCS1935B: 46281601000001 - 46281601999999
RCS2340B: 46282201000001 - 46282201999999

vastab järgmistele Euroopa direktiividele ja harmoniseeritud standarditele
2006/42/EC, 2014/30/EU, 2000/14/EC, 2005/88/EC, 2011/65/EU,
EN 60745-1:2009+A11:2010, EN 60745-2-13:2009+A1:2010,
EN 55014-1:2017, EN 55014-2:2015, EN 61000-3-2:2014,
EN 61000-3-11:2000, EN 50581:2012

RCS1935B
Mõõdetud heli võimsuse tase: 102,8 dB(A)
Garanteeritud heli võimsuse tase: 104 dB(A)
Vastavushindamine vastavalt lisale V direktiivis 2000/14/EC muudetud direktiiviga 2005/88/EC.

RCS2340B
Mõõdetud heli võimsuse tase: 103,3 dB(A)
Garanteeritud heli võimsuse tase: 105 dB(A)
Garanteeritud heli võimsuse tase: 104 dB(A)
Vastavushindamine vastavalt lisale V direktiivis 2000/14/EC muudetud direktiiviga 2005/88/EC.

Tunnustatud asutus, 0197 TÜV Rheinland LGA Products GmbH; Tillystraße 2 D - 90431 Nürnberg, Germany on läbi viinud EC tüübikinnitustöid ja välja andnud sertifikaadi nr. BM 50414705 0001.

Andrew John Eyre (BEng, CEng, MIET)
Aspresident Standardiserimise Ja Ohutuse Alal
Winnenden, Aug. 30, 2018

Tehnilise faili koostamiseks volitatud isik:
Alexander Krug, Tegevdirektor
Techtronic Industries GmbH
Max-Eyth-Straße 10, 71364 Winnenden, Germany

LT ATITIKTIES DEKLARACIJA

Techtronic Industries GmbH
Max-Eyth-Straße 10, 71364 Winnenden, Germany

Mes pareiškiame, kad šie produktai
Elektrinis Grandininis Pjūklas
Prekės ženklas: RYOBI
Modelio numeris: RCS1935B/RCS2340B
Serijinio numerio diapazonas:
RCS1935B: 46281601000001 - 46281601999999
RCS2340B: 46282201000001 - 46282201999999

pagamintas laikantis toliau nurodytųjų Europos Direktivų ir darniųjų standartų
2006/42/EC, 2014/30/EU, 2000/14/EC, 2005/88/EC, 2011/65/EU,
EN 60745-1:2009+A11:2010, EN 60745-2-13:2009+A1:2010,
EN 55014-1:2017, EN 55014-2:2015, EN 61000-3-2:2014,
EN 61000-3-11:2000, EN 50581:2012

RCS1935B
Išmatuotas akustinis lygis: 102,8 dB(A)
Garantuotas akustinis lygis: 104 dB(A)
Atitikties įvertinimo metodas pagal direktyvos 2000/14/EC, V Priedą su pataisomis 2005/88/EC.

RCS2340B
Išmatuotas akustinis lygis: 103,3 dB(A)
Garantuotas akustinis lygis: 105 dB(A)
Atitikties įvertinimo metodas pagal direktyvos 2000/14/EC, V Priedą su pataisomis 2005/88/EC.

Notifikuotoji įstaiga, 0197 TÜV Rheinland LGA Products GmbH; Tillystraße 2 D - 90431 Nürnberg, Germany atliko EC tipo patvirtinimą. Pažymėjimo numeris. BM 50414705 0001.

Andrew John Eyre (BEng, CEng, MIET)
Kontrolės Ir Saugos Viceprezidentas
Winnenden, Aug. 30, 2018

Igaliautos sudaryti techninį failą:
Alexander Krug, Generalinis Direktorius
Techtronic Industries GmbH
Max-Eyth-Straße 10, 71364 Winnenden, Germany

HR IZJAVA O USKLAĐENOSTI

Techtronic Industries GmbH
Max-Eyth-Straße 10, 71364 Winnenden, Germany

Ovime izjavujemo da su proizvodi
Električna Pila
Marka: RYOBI
Broj modela: RCS1935B/RCS2340B
Raspon serijskog broja:
RCS1935B: 46281601000001 - 46281601999999
RCS2340B: 46282201000001 - 46282201999999

usklađen sa sljedećim Europskim Direktivama i usklađenim normama
2006/42/EC, 2014/30/EU, 2000/14/EC, 2005/88/EC, 2011/65/EU,
EN 60745-1:2009+A11:2010, EN 60745-2-13:2009+A1:2010,
EN 55014-1:2017, EN 55014-2:2015, EN 61000-3-2:2014,
EN 61000-3-11:2000, EN 50581:2012

RCS1935B
Izmjerena razina zvučne snage: 102,8 dB(A)
Jamčena razina zvučne snage: 104 dB(A)
Metoda procjene usklađenosti prema Dodatku V Direktive 2000/14/EC navedeno u 2005/88/EC.

RCS2340B
Izmjerena razina zvučne snage: 103,3 dB(A)
Jamčena razina zvučne snage: 105 dB(A)
Metoda procjene usklađenosti prema Dodatku V Direktive 2000/14/EC navedeno u 2005/88/EC.

Nadzorno tijelo, 0197 TÜV Rheinland LGA Products GmbH; Tillystraße 2 D - 90431 Nürnberg, Germany izdalo je odobrenje tipa EC i broj certifikata je. BM 50414705 0001.

Andrew John Eyre (BEng, CEng, MIET)
Potpredsjednik za Pravila i Sigurnost
Winnenden, Aug. 30, 2018

Ovlašten da sastavi tehničku datoteku:
Alexander Krug, Direktor Upravljanja
Techtronic Industries GmbH
Max-Eyth-Straße 10, 71364 Winnenden, Germany

SL IZJAVA O SKLADNOSTI

Techtronic Industries GmbH
Max-Eyth-Straße 10, 71364 Winnenden, Germany

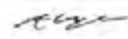
Izjavljamo, da je izdelek
Električna Verižna Žaga
Znamka: RYOBI
Številka modela: RCS1935B/RCS2340B
Razpon serijskih števil:
RCS1935B: 46281601000001 - 46281601999999
RCS2340B: 46282201000001 - 46282201999999

v skladu s sledječimi evropskimi direktivami in harmoniziranimi standardi
2006/42/EC, 2014/30/EU, 2000/14/EC, 2005/88/EC, 2011/65/EU,
EN 60745-1:2009+A11:2010, EN 60745-2-13:2009+A1:2010,
EN 55014-1:2017, EN 55014-2:2015, EN 61000-3-2:2014,
EN 61000-3-11:2000, EN 50581:2012

RCS1935B
Izmerjena raven zvočne moči: 102,8 dB(A)
Zajamčena raven zvočne moči: 104 dB(A)
Način ugotavljanja skladnosti z aneksom V direktive 2000/14/EC ki je bila spremenjena z 2005/88/EC.

RCS2340B
Izmerjena raven zvočne moči: 103,3 dB(A)
Zajamčena raven zvočne moči: 105 dB(A)
Način ugotavljanja skladnosti z aneksom V direktive 2000/14/EC ki je bila spremenjena z 2005/88/EC.

Priglašeni organ, 0197 TÜV Rheinland LGA Products GmbH; Tillystraße 2 D - 90431 Nürnberg, Germany je izvedel EC homologacijo, številka certifikata pa je: BM 50414705 0001.


Andrew John Eyre (BEng, CEng, MIET)
Podpredsednik, Zakonodajne In Varnostne Zadeve
Winnenden, Aug. 30, 2018

Pooblaščen oseba za sestavo tehnične dokumentacije:
Alexander Krug, Izvršni Direktor
Techtronic Industries GmbH
Max-Eyth-Straße 10, 71364 Winnenden, Germany

CE

BG ДЕКЛАРАЦИЯ НА ЗА СЪОТВЕТСТВИЕ

Techtronic Industries GmbH
Max-Eyth-Straße 10, 71364 Winnenden, Germany

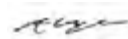
С настоящето декларираме, че продуктите
Електрически Верижни Трион
Марка: RYOBI
Номер на модела: RCS1935B/RCS2340B
Обхват на сериини номера:
RCS1935B: 46281601000001 - 46281601999999
RCS2340B: 46282201000001 - 46282201999999

отговаря на следните директиви на ЕС и хармонизирани стандарти
2006/42/EC, 2014/30/EU, 2000/14/EC, 2005/88/EC, 2011/65/EU,
EN 60745-1:2009+A11:2010, EN 60745-2-13:2009+A1:2010,
EN 55014-1:2017, EN 55014-2:2015, EN 61000-3-2:2014,
EN 61000-3-11:2000, EN 50581:2012

RCS1935B
Измерено ниво на шум: 102,8 dB(A)
Гарантирано ниво на шум: 104 dB(A)
Метод за оценяване на съответствието с приложение V Директива 2000/14/EC, изменена от 2005/88/EC.

RCS2340B
Измерено ниво на шум: 103,3 dB(A)
Гарантирано ниво на шум: 105 dB(A)
Метод за оценяване на съответствието с приложение V Директива 2000/14/EC, изменена от 2005/88/EC.

Компетентен орган, 0197 TÜV Rheinland LGA Products GmbH; Tillystraße 2 D - 90431 Nürnberg, Germany извърши одобрение за ЕС и номерът на сертификата е: BM 50414705 0001.


Andrew John Eyre (BEng, CEng, MIET)
Вицепрезидент, Правни Услуги И Безопасност
Winnenden, Aug. 30, 2018

Упълномощено лице за съставяне на техническия файл:
Alexander Krug, Изпълнителен Директор
Techtronic Industries GmbH
Max-Eyth-Straße 10, 71364 Winnenden, Germany

CE

SK PREHLÁSENIE O ZHODE

Techtronic Industries GmbH
Max-Eyth-Straße 10, 71364 Winnenden, Germany

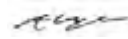
Týmto vyhlasujeme, že výrobok
Vychyľovač Drevených Triosok
Značka: RYOBI
Číslo modelu: RCS1935B/RCS2340B
Rozsah sériových čísel:
RCS1935B: 46281601000001 - 46281601999999
RCS2340B: 46282201000001 - 46282201999999

je v súlade s nasledujúcimi Európskymi smernicami a harmonizovanými normami
2006/42/EC, 2014/30/EU, 2000/14/EC, 2005/88/EC, 2011/65/EU,
EN 60745-1:2009+A11:2010, EN 60745-2-13:2009+A1:2010,
EN 55014-1:2017, EN 55014-2:2015, EN 61000-3-2:2014,
EN 61000-3-11:2000, EN 50581:2012

RCS1935B
Nameraná úroveň hluku: 102,8 dB(A)
Garantovaná úroveň hluku: 104 dB(A)
Spôsob určenia zhody podľa Dodatku V Smernica 2000/14/EC doplnená o 2005/88/EC.

RCS2340B
Nameraná úroveň hluku: 103,3 dB(A)
Garantovaná úroveň hluku: 105 dB(A)
Spôsob určenia zhody podľa Dodatku V Smernica 2000/14/EC doplnená o 2005/88/EC.

Uповедомлен орган 0197 TÜV Rheinland LGA Products GmbH; Tillystraße 2 D - 90431 Nürnberg, Germany previedol schválenie typu EC a certifikáciu č. BM 50414705 0001.


Andrew John Eyre (BEng, CEng, MIET)
Viceprezident, Regulácia a Bezpečnosť
Winnenden, Aug. 30, 2018

Oprávnená osoba na zostavenie technického súboru:
Alexander Krug, Generálny Riaditeľ
Techtronic Industries GmbH
Max-Eyth-Straße 10, 71364 Winnenden, Germany

CE

UK ДЕКЛАРАЦИЯ ПРО ВЪДПОВИДНОСТ

Techtronic Industries GmbH
Max-Eyth-Straße 10, 71364 Winnenden, Germany

При цьому ми заявляємо, що продукт
Електрична ланцюгова пила
Марка: RYOBI
Номер моделі: RCS1935B/RCS2340B
Діапазон серійного номеру:
RCS1935B: 46281601000001 - 46281601999999
RCS2340B: 46282201000001 - 46282201999999

у відповідності з наступними європейськими директивами та гармонізованими стандартами
2006/42/EC, 2014/30/EU, 2000/14/EC, 2005/88/EC, 2011/65/EU,
EN 60745-1:2009+A11:2010, EN 60745-2-13:2009+A1:2010,
EN 55014-1:2017, EN 55014-2:2015, EN 61000-3-2:2014,
EN 61000-3-11:2000, EN 50581:2012

RCS1935B
Вимірний рівень звукової потужності: 102,8 dB(A)
Гарантований рівень звукової потужності: 104 dB(A)
Метод оцінки відповідності Annex V Directive 2000/14/EC з поправками, внесеними 2005/88 / EC.

RCS2340B
Вимірний рівень звукової потужності: 103,3 dB(A)
Гарантований рівень звукової потужності: 105 dB(A)
Метод оцінки відповідності Annex V Directive 2000/14/EC з поправками, внесеними 2005/88 / EC.

Уповноважений орган 0197 TÜV Rheinland LGA Products GmbH; Tillystraße 2 D - 90431 Nürnberg, Germany здійснив затвердження типу EC, і сертифікат: BM 50414705 0001.


Andrew John Eyre (BEng, CEng, MIET)
Вице-президент, регулювання і безпека
Winnenden, Aug. 30, 2018

Дозвіл на складання технічного файла:
Alexander Krug, Керуючий директор
Techtronic Industries GmbH
Max-Eyth-Straße 10, 71364 Winnenden, Germany

CE

TR UYGUNLUK BEYANI

Techtronic Industries GmbH
Max-Eyth-Straße 10, 71364 Winnenden, Germany

İş bu belge ile bu ürünün

Elektrikli Motorlu Testere
Marka: RYOBI
Model numarası: RCS1935B/RCS2340B
Seri numarası aralığı:
RCS1935B: 46281601000001 - 46281601999999
RCS2340B: 46282201000001 - 46282201999999

aşağıdaki Avrupa Direktiflerine ve uyumlaştırılmış standartlara uygun olduğunu beyan ediyorum

2006/42/EC, 2014/30/EU, 2000/14/EC, 2005/88/EC, 2011/65/EU,
EN 60745-1:2009+A11:2010, EN 60745-2-13:2009+A1:2010,
EN 55014-1:2017, EN 55014-2:2015, EN 61000-3-2:2014,
EN 61000-3-11:2000, EN 50581:2012

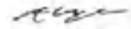
RCS1935B

Ölçülen ses gücü seviyesi: 102,8 dB(A)
Güvenceli ses gücü seviyesi: 104 dB(A)
2005/88/AT ile değiştirilen 2000/14/AT Direktifi Ek V uyarınca uygunluk değerlendirilmesi yöntemi.

RCS2340B

Ölçülen ses gücü seviyesi: 103,3 dB(A)
Güvenceli ses gücü seviyesi: 105 dB(A)
2005/88/AT ile değiştirilen 2000/14/AT Direktifi Ek V uyarınca uygunluk değerlendirilmesi yöntemi.

Onaylı kuruluş, 0197 TÜV Rheinland LGA Products GmbH; Tillystraße 2 D - 90431 Nürnberg, Almanya AT tipi onay testini gerçekleştirmiştir ve sertifika numarası aşağıdadır: BM 50414705 0001.



Andrew John Eyre (BEng, CEng, MIET)
Mevzuat ve Güvenlik Başkan Yardımcısı
Winnenden, Aug. 30, 2018

CE

Teknik dosyayı derlemekle yetkili sorumlu:
Alexander Krug, İdari Müdür
Techtronic Industries GmbH
Max-Eyth-Straße 10, 71364 Winnenden, Germany







Techtronic Industries GmbH
Max-Eyth-Straße 10,
71364 Winnenden, Germany

099184001001-01