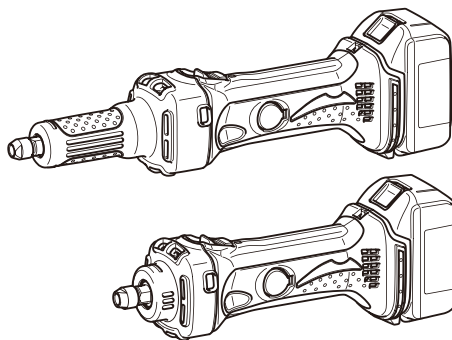


EN	Cordless Die Grinder	INSTRUCTION MANUAL	4
SV	Batteridrivnen slipstiftsmaskin	BRUKSANVISNING	10
NO	Trådløs rettsliper	BRUKSANVISNING	16
FI	Akkukäyttöinen karalaikkahiomakone	KÄYTTÖOHJE	22
LV	Bezvadū štancēšanas slīpmašīna	LIETOŠANAS INSTRUKCIJA	28
LT	Belaidis tiesinis šlifuoκlis	NAUDOJIMO INSTRUKCIJA	34
ET	Akuga lihvmasin	KASUTUSJUHEND	40
RU	Акумуляторная Прямая Шлифовальная Машина	РУКОВОДСТВО ПО ЭКСПЛУАТАЦИИ	46

DGD800 DGD801



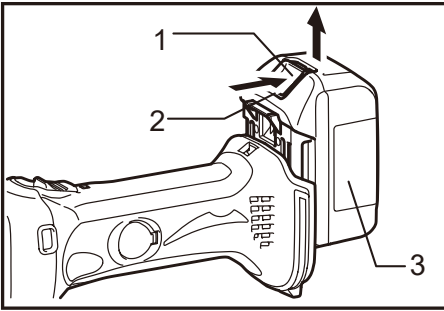


Fig.1

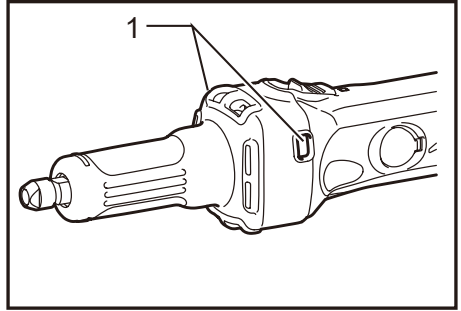


Fig.5

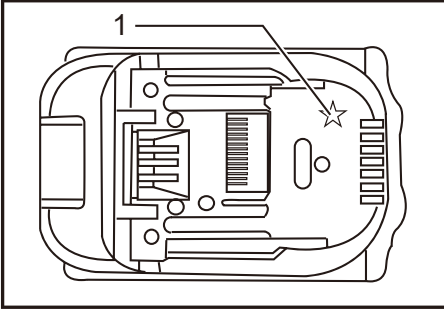


Fig.2

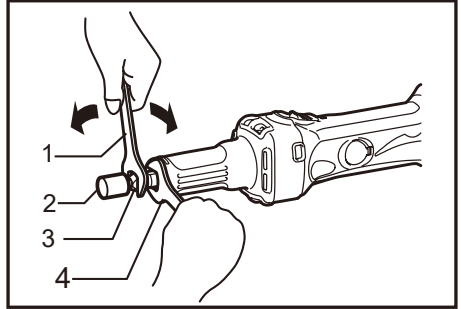


Fig.6

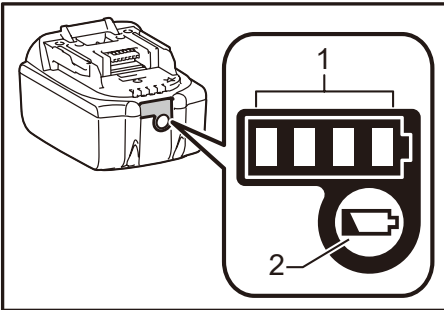


Fig.3

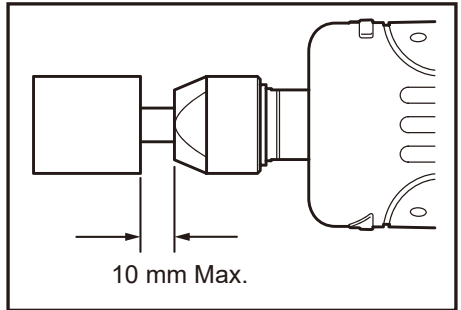


Fig.7

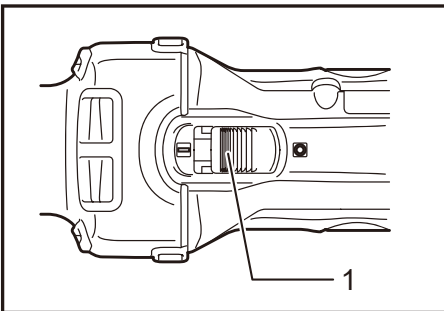


Fig.4

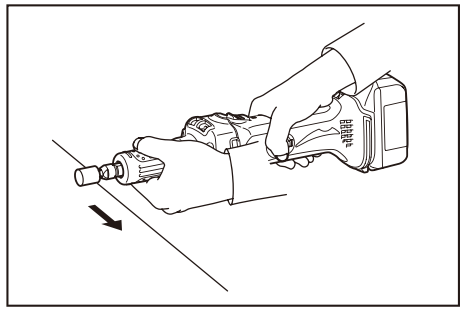


Fig.8

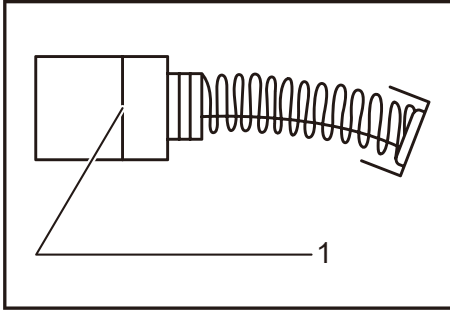


Fig.9

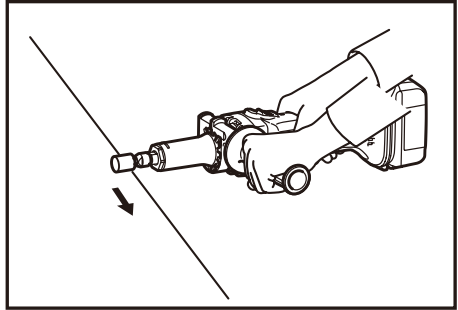


Fig.13

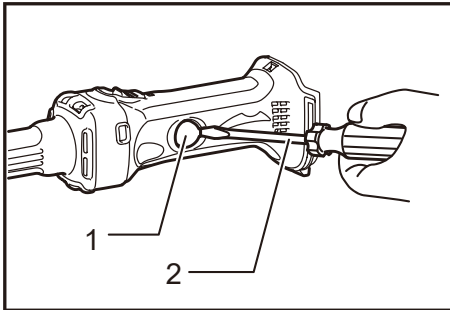


Fig.10

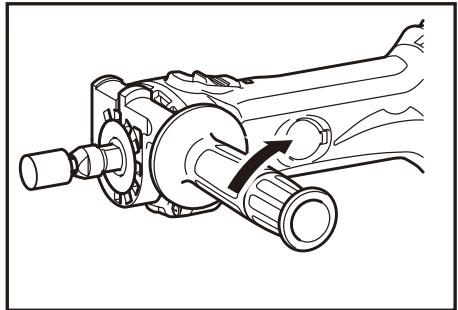


Fig.14

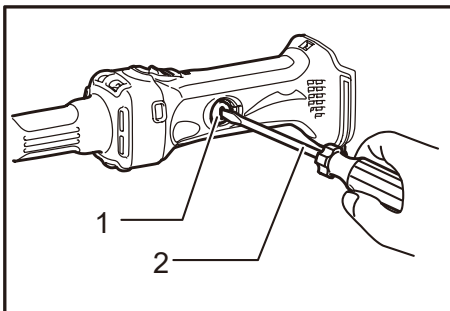


Fig.11

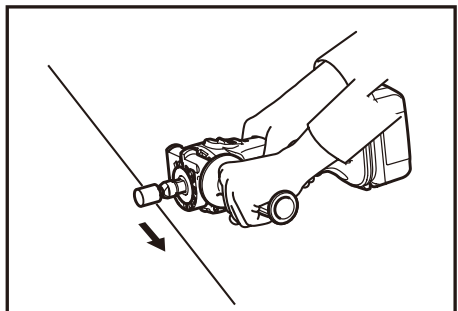


Fig.15

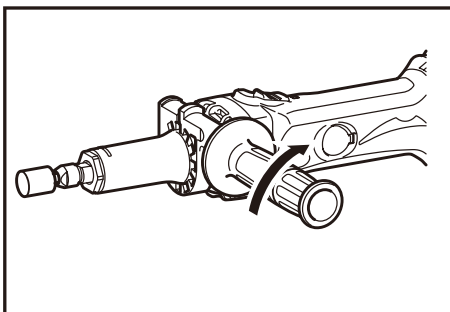


Fig.12

SPECIFICATIONS

Model	DGD800	DGD801
Collet capacity	6 mm or 6.35 mm (1/4")	
Max. wheel point diameter	36 mm	
Max. mandrel (shank) length	46 mm	
No load speed (n ₀) / Rated speed (n)	26,000 (min ⁻¹)	
Overall length	402 mm	307 mm
Net weight	2.0 kg	1.7 kg
Rated voltage	D.C. 18 V	

- Due to our continuing program of research and development, the specifications herein are subject to change without notice.
- Specifications and battery cartridge may differ from country to country.
- Weight, with battery cartridge, according to EPTA-Procedure 01/2003

Intended use

The tool is intended for grinding ferrous materials or deburring castings.

Noise

The typical A-weighted noise level determined according to EN60745:

Sound pressure level (L_{pA}) : 72 dB (A)
 Uncertainty (K) : 3 dB (A)

The noise level under working may exceed 80 dB (A).

Wear ear protection

Vibration

The vibration total value (tri-axial vector sum) determined according to EN60745:

Model DGD800

Work mode : surface grinding
 Vibration emission (a_{n,SG}) : 6.5 m/s²
 Uncertainty (K) : 1.5 m/s²

Model DGD801

Work mode : surface grinding
 Vibration emission (a_{n,SG}) : 2.5 m/s² or less
 Uncertainty (K) : 1.5 m/s²

NOTE: The declared vibration emission value has been measured in accordance with the standard test method and may be used for comparing one tool with another.

NOTE: The declared vibration emission value may also be used in a preliminary assessment of exposure.

WARNING: The vibration emission during actual use of the power tool can differ from the declared emission value depending on the ways in which the tool is used.

WARNING: Be sure to identify safety measures to protect the operator that are based on an estimation of exposure in the actual conditions of use (taking account of all parts of the operating cycle such as the times when the tool is switched off and when it is running idle in addition to the trigger time).

For European countries only

EC Declaration of Conformity

Makita declares that the following Machine(s):

Designation of Machine:
 Cordless Die Grinder
 Model No./ Type: DGD800, DGD801

Conforms to the following European Directives:
 2006/42/EC

They are manufactured in accordance with the following standard or standardized documents:
 EN60745

The technical file in accordance with 2006/42/EC is available from:

Makita, Jan-Baptist Vinkstraat 2, 3070, Belgium

10.11.2015



Yasushi Fukaya
 Director

Makita, Jan-Baptist Vinkstraat 2, 3070, Belgium

General Power Tool Safety Warnings

WARNING Read all safety warnings and all instructions. Failure to follow the warnings and instructions may result in electric shock, fire and/or serious injury.

Save all warnings and instructions for future reference.

CORDLESS DIE GRINDER SAFETY WARNINGS

Safety Warnings Common for Grinding Operation:

1. **This power tool is intended to function as a grinder. Read all safety warnings, instructions, illustrations and specifications provided with this power tool.** Failure to follow all instructions listed below may result in electric shock, fire and/or serious injury.

2. **Operations such as sanding, wire brushing, polishing or cutting-off are not recommended to be performed with this power tool.** Operations for which the power tool was not designed may create a hazard and cause personal injury.
3. **Do not use accessories which are not specifically designed and recommended by the tool manufacturer.** Just because the accessory can be attached to your power tool, it does not assure safe operation.
4. **The rated speed of the accessory must be at least equal to the maximum speed marked on the power tool.** Accessories running faster than their rated speed can break and fly apart.
5. **The outside diameter and the thickness of your accessory must be within the capacity rating of your power tool.** Incorrectly sized accessories cannot be adequately controlled.
6. **The arbour size of accessories must properly fit the collet of the power tool.** Accessories that do not match the mounting hardware of the power tool will run out of balance, vibrate excessively and may cause loss of control.
7. **Mandrel mounted accessories must be fully inserted into the collet or chuck.** If the mandrel is insufficiently held and/or the overhang of the wheel is too long, the mounted accessory may become loose and be ejected at high velocity.
8. **Do not use a damaged accessory. Before each use inspect the accessory such as abrasive wheels for chips and cracks. If power tool or accessory is dropped, inspect for damage or install an undamaged accessory. After inspecting and installing an accessory, position yourself and bystanders away from the plane of the rotating accessory and run the power tool at maximum no-load speed for one minute.** Damaged accessories will normally break apart during this test time.
9. **Wear personal protective equipment. Depending on application, use face shield, safety goggles or safety glasses. As appropriate, wear dust mask, hearing protectors, gloves and workshop apron capable of stopping small abrasive or workpiece fragments.** The eye protection must be capable of stopping flying debris generated by various operations. The dust mask or respirator must be capable of filtering particles generated by your operation. Prolonged exposure to high intensity noise may cause hearing loss.
10. **Keep bystanders a safe distance away from work area. Anyone entering the work area must wear personal protective equipment.** Fragments of workpiece or of a broken accessory may fly away and cause injury beyond immediate area of operation.
11. **Hold the power tool by insulated gripping surfaces only, when performing an operation where the cutting tool may contact hidden wiring.** Contact with a "live" wire will also make exposed metal parts of the power tool "live" and could give the operator an electric shock.
12. **Always hold the tool firmly in your hand(s) during the start-up.** The reaction torque of the motor, as it accelerates to full speed, can cause the tool to twist.
13. **Use clamps to support workpiece whenever practical. Never hold a small workpiece in one hand and the tool in the other hand while in use.** Clamping a small workpiece allows you to use your hand(s) to control the tool. Round material such as dowel rods, pipes or tubing have a tendency to roll while being cut, and may cause the bit to bind or jump toward you.
14. **Never lay the power tool down until the accessory has come to a complete stop.** The spinning accessory may grab the surface and pull the power tool out of your control.
15. **After changing the bits or making any adjustments, make sure the collet nut, chuck or any other adjustment devices are securely tightened.** Loose adjustment devices can unexpectedly shift, causing loss of control, loose rotating components will be violently thrown.
16. **Do not run the power tool while carrying it at your side.** Accidental contact with the spinning accessory could snag your clothing, pulling the accessory into your body.
17. **Regularly clean the power tool's air vents.** The motor's fan will draw the dust inside the housing and excessive accumulation of powdered metal may cause electrical hazards.
18. **Do not operate the power tool near flammable materials.** Sparks could ignite these materials.
19. **Do not use accessories that require liquid coolants.** Using water or other liquid coolants may result in electrocution or shock.

Kickback and Related Warnings

Kickback is a sudden reaction to a pinched or snagged rotating accessory. Pinching or snagging causes rapid stalling of the rotating accessory which in turn causes the uncontrolled power tool to be forced in the direction opposite of the accessory's rotation.

For example, if an abrasive wheel is snagged or pinched by the workpiece, the edge of the wheel that is entering into the pinch point can dig into the surface of the material causing the wheel to climb out or kick out. The wheel may either jump toward or away from the operator, depending on direction of the wheel's movement at the point of pinching. Abrasive wheels may also break under these conditions.

Kickback is the result of power tool misuse and/or incorrect operating procedures or conditions and can be avoided by taking proper precautions as given below.

- a) **Maintain a firm grip on the power tool and position your body and arm to allow you to resist kickback forces.** The operator can control kickback forces, if proper precautions are taken.
- b) **Use special care when working corners, sharp edges etc. Avoid bouncing and snagging the accessory.** Corners, sharp edges or bouncing have a tendency to snag the rotating accessory and cause loss of control or kickback.
- c) **Do not attach a toothed saw blade.** Such blades create frequent kickback and loss of control.
- d) **Always feed the bit into the material in the same direction as the cutting edge is exiting from the material (which is the same direction as the chips are thrown).** Feeding the tool in the wrong direction causes the cutting edge of the bit to climb out of the work and pull the tool in the direction of this feed.

Safety Warnings Specific for Grinding:

- a) Use only wheel types that are recommended for your power tool and only for recommended applications.

Additional safety warnings:

20. The tool is intended for use with bonded abrasive wheel points (grinding stones) permanently mounted on plain, unthreaded mandrel (shanks).
21. Make sure the wheel is not contacting the workpiece before the switch is turned on.
22. Before using the tool on an actual workpiece, let it run for a while. Watch for vibration or wobbling that could indicate poor installation or a poorly balanced wheel.
23. Use the specified surface of the wheel to perform the grinding.
24. Watch out for flying sparks. Hold the tool so that sparks fly away from you and other persons or flammable materials.
25. Do not leave the tool running. Operate the tool only when hand-held.
26. Do not touch the workpiece immediately after operation; it may be extremely hot and could burn your skin.
27. Observe the instructions of the manufacturer for correct mounting and use of wheels. Handle and store wheels with care.
28. Check that the workpiece is properly supported.
29. If working place is extremely hot and humid, or badly polluted by conductive dust, use a short-circuit breaker (30 mA) to assure operator safety.
30. Do not use the tool on any materials containing asbestos.
31. Always be sure you have a firm footing. Be sure no one is below when using the tool in high locations.

SAVE THESE INSTRUCTIONS.

⚠WARNING: DO NOT let comfort or familiarity with product (gained from repeated use) replace strict adherence to safety rules for the subject product. MISUSE or failure to follow the safety rules stated in this instruction manual may cause serious personal injury.

IMPORTANT SAFETY INSTRUCTIONS

FOR BATTERY CARTRIDGE

1. Before using battery cartridge, read all instructions and cautionary markings on (1) battery charger, (2) battery, and (3) product using battery.
2. Do not disassemble battery cartridge.
3. If operating time has become excessively shorter, stop operating immediately. It may result in a risk of overheating, possible burns and even an explosion.

4. If electrolyte gets into your eyes, rinse them out with clear water and seek medical attention right away. It may result in loss of your eyesight.
5. Do not short the battery cartridge:
 - (1) Do not touch the terminals with any conductive material.
 - (2) Avoid storing battery cartridge in a container with other metal objects such as nails, coins, etc.
 - (3) Do not expose battery cartridge to water or rain.A battery short can cause a large current flow, overheating, possible burns and even a breakdown.
6. Do not store the tool and battery cartridge in locations where the temperature may reach or exceed 50°C (122°F).
7. Do not incinerate the battery cartridge even if it is severely damaged or is completely worn out. The battery cartridge can explode in a fire.
8. Be careful not to drop or strike battery.
9. Do not use a damaged battery.
10. The contained lithium-ion batteries are subject to the Dangerous Goods Legislation requirements.
For commercial transports e.g. by third parties, forwarding agents, special requirement on packaging and labeling must be observed.
For preparation of the item being shipped, consulting an expert for hazardous material is required. Please also observe possibly more detailed national regulations.
Tape or mask off open contacts and pack up the battery in such a manner that it cannot move around in the packaging.
11. Follow your local regulations relating to disposal of battery.

SAVE THESE INSTRUCTIONS.

⚠CAUTION: Only use genuine Makita batteries. Use of non-genuine Makita batteries, or batteries that have been altered, may result in the battery bursting causing fires, personal injury and damage. It will also void the Makita warranty for the Makita tool and charger.

Tips for maintaining maximum battery life

1. Charge the battery cartridge before completely discharged.
Always stop tool operation and charge the battery cartridge when you notice less tool power.
2. Never recharge a fully charged battery cartridge.
Overcharging shortens the battery service life.
3. Charge the battery cartridge with room temperature at 10°C - 40°C (50°F - 104°F). Let a hot battery cartridge cool down before charging it.
4. Charge the battery cartridge if you do not use it for a long period (more than six months).

FUNCTIONAL DESCRIPTION

⚠ CAUTION:

- Always be sure that the tool is switched off and the battery cartridge is removed before adjusting or checking function on the tool.

Installing or removing battery cartridge

► Fig.1: 1. Button 2. Red indicator 3. Battery cartridge

⚠ CAUTION:

- Always switch off the tool before installing or removing of the battery cartridge.
- Hold the tool and the battery cartridge firmly when installing or removing battery cartridge.** Failure to hold the tool and the battery cartridge firmly may cause them to slip off your hands and result in damage to the tool and battery cartridge and a personal injury.

To remove the battery cartridge, slide it from the tool while sliding the button on the front of the cartridge. To install the battery cartridge, align the tongue on the battery cartridge with the groove in the housing and slip it into place. Insert it all the way until it locks in place with a little click. If you can see the red indicator on the upper side of the button, it is not locked completely.

⚠ CAUTION:

- Always install the battery cartridge fully until the red indicator cannot be seen. If not, it may accidentally fall out of the tool, causing injury to you or someone around you.
- Do not install the battery cartridge forcibly. If the cartridge does not slide in easily, it is not being inserted correctly.

Battery protection system

The tool is equipped with a battery protection system. This system automatically cuts off power to the motor to extend battery life.

The tool will automatically stop during operation if the tool and/or battery are placed under one of the following conditions:

- Overloaded:**
The tool is operated in a manner that causes it to draw an abnormally high current. In this situation, turn the tool off and stop the application that caused the tool to become overloaded. Then turn the tool on to restart. If the tool does not start, the battery is overheated. In this situation, let the battery cool before turning the tool on again.
- Low battery voltage:**
The remaining battery capacity is too low and the tool will not operate. In this situation, remove and recharge the battery.

NOTE: The overheat protection works only with a battery cartridge with a star mark.

► Fig.2: 1. Star marking

Indicating the remaining battery capacity

(Only for battery cartridges with "B" at the end of the model number.)

► Fig.3: 1. Indicator lamps 2. CHECK button

Press the check button on the battery cartridge to indicate the remaining battery capacity. The indicator lamps light up for few seconds.

Indicator lamps			Remaining capacity
Lighted	Off	Blinking	
■	□	◐	75% to 100%
■	■	□	50% to 75%
■	□	□	25% to 50%
■	□	□	0% to 25%
◐	□	□	Charge the battery.
■	■	□	The battery may have malfunctioned.
□	□	■	

NOTE:

- Depending on the conditions of use and the ambient temperature, the indication may differ slightly from the actual capacity.

Switch action

► Fig.4: 1. Slide switch

⚠ CAUTION:

- Before inserting the battery cartridge into the tool, always check to see that the slide switch actuates properly and returns to the "OFF" position when the rear of the slide switch is depressed.
- Switch can be locked in "ON" position for ease of operator comfort during extended use. Apply caution when locking tool in "ON" position and maintain firm grasp on tool.

To start the tool, slide the slide switch toward the "I (ON)" position. For continuous operation, press the front of the slide switch to lock it. To stop the tool, press the rear of the slide switch, then slide it toward the "O (OFF)" position.

Indication lamp with multi function

► Fig.5: 1. Indication lamp

Indication lamps are located in two positions. When the battery cartridge is inserted on the tool with the slide switch positioned in the "O (OFF)" position, the indication lamp flickers quickly for approximately one second. If it does not flicker so, the battery cartridge or indication lamp has broken.

— Overload protection

- When the tool is overloaded, the indication lamp lights up. When the load on the tool is reduced, the lamp goes out.
- If the tool continues to be overloaded and the indication lamp continues to light up for approximately two seconds, the tool stops. This prevents the motor and its related parts from being damaged.
- In this case, to start the tool again, move the slide switch to the "O (OFF)" position once and then to the "I (ON)" position.

— Battery cartridge replacing signal

- When the remaining battery capacity gets small, the indicator lamp lights up during operation earlier than enough capacity battery use.

— Accidental re-start preventive function

- Even if the battery cartridge is inserted on the tool with the slide switch in the "I (ON)" position, the tool does not start. At this time, the lamp flickers slowly and this shows that the accidental re-start preventive function is at work.
- To start the tool, first slide the slide switch toward the "O (OFF)" position and then slide it toward the "I (ON)" position.

ASSEMBLY

▲ CAUTION:

- Always be sure that the tool is switched off and the battery cartridge is removed before carrying out any work on the tool.

Installing or removing wheel point

► Fig.6: 1. Wrench 13 2. Wheel point 3. Collet nut 4. Wrench 13

Loosen the collet nut and insert the wheel point into the collet nut. Use one wrench to hold the spindle and the other one to tighten the collet nut securely.

The wheel point should not be mounted more than 10 mm from the collet nut. Exceeding this distance could cause vibration or a broken shaft.

► Fig.7

To remove the wheel point, follow the installation procedure in reverse.

▲ CAUTION:

- Use the correct size collet cone for the wheel point which you intend to use.

OPERATION

► Fig.8

Turn the tool on without the wheel point making any contact with the workpiece and wait until the wheel point attains full speed. Then apply the wheel point to the workpiece gently. To obtain a good finish, move the tool in the leftward direction slowly.

▲ CAUTION:

- Apply light pressure on the tool. Excessive pressure on the tool will only cause a poor finish and overloading of the motor.

MAINTENANCE

▲ CAUTION:

- Always be sure that the tool is switched off and the battery cartridge is removed before attempting to perform inspection or maintenance.
- Never use gasoline, benzine, thinner, alcohol or the like. Discoloration, deformation or cracks may result.

Replacing carbon brushes

► Fig.9: 1. Limit mark

Remove and check the carbon brushes regularly. Replace when they wear down to the limit mark. Keep the carbon brushes clean and free to slip in the holders. Both carbon brushes should be replaced at the same time. Use only identical carbon brushes.

► Fig.10: 1. Holder cap cover 2. Screwdriver

Insert the top end of slotted bit screwdriver into the notch in the tool and remove the holder cap cover by lifting it up.

► Fig.11: 1. Brush holder cap 2. Screwdriver

Use a screwdriver to remove the brush holder caps. Take out the worn carbon brushes, insert the new ones and secure the brush holder caps. Reinstall the holder cap cover on the tool. To maintain product SAFETY and RELIABILITY, repairs, any other maintenance or adjustment should be performed by Makita Authorized Service Centers, always using Makita replacement parts.

OPTIONAL ACCESSORIES

⚠ CAUTION:

- These accessories or attachments are recommended for use with your Makita tool specified in this manual. The use of any other accessories or attachments might present a risk of injury to persons. Only use accessory or attachment for its stated purpose.

If you need any assistance for more details regarding these accessories, ask your local Makita Service Center.

Side handle (accessory)

- ▶ Fig.12
- ▶ Fig.13
- ▶ Fig.14
- ▶ Fig.15

When using the side handle, remove the rubber protector, insert the side handle on the tool barrel as far as it will go and rotate it to the desired angle. Then tighten the handle firmly by turning clockwise.

⚠ CAUTION:

- When using the tool without handle, always install the rubber protector on the tool.
- When installing the rubber protector, always push it onto the tool so that the top round recessed shape of the rubber is positioned near the switch position.

- Wheel points
- Collet cone (3 mm, 6 mm, 8 mm, 1/4", 1/8")
- Collet nut
- Wrench 13
- Side handle set
- Makita genuine battery and charger

NOTE:

- Some items in the list may be included in the tool package as standard accessories. They may differ from country to country.

SPECIFIKATIONER

Modell	DGD800	DGD801
Spännhulsdiameter	6 mm eller 6,35 mm (1/4")	
Max. stiftidiameter	36 mm	
Max. längd på spännhylsa (bultkärna)	46 mm	
Obelastat varvtal (n_0) / Märkvarvtal (n)	26 000 (min^{-1})	
Längd	402 mm	307 mm
Vikt	2,0 kg	1,7 kg
Märkspänning	18 V likström	

- På grund av vårt pågående program för forskning och utveckling kan dessa specifikationer ändras utan föregående meddelande.
- Specifikationer och batterikassett kan variera från land till land.
- Vikt med batterikassett i enlighet med EPTA-procedur 01/2003

Användningsområde

Verktøget är avsett för slipning av järn och avgradning av gjutskägg.

Buller

Typiska A-vägda bullernivån är mätt enligt EN60745:

Ljudtrycksnivå (L_{pA}): 72 dB (A)

Måttolerans (K): 3 dB (A)

Bullernivån vid arbete kan överstiga 80 dB (A).

Använd hörselskydd**Vibration**

Vibrationens totalvärde (tre-axlars vektorsumma) mätt enligt EN60745:

Modell DGD800

Arbetsläge: planslipning

Vibrationsemission ($a_{h,SG}$): 6,5 m/s^2

Måttolerans (K): 1,5 m/s^2

Modell DGD801

Arbetsläge: planslipning

Vibrationsemission ($a_{h,SG}$): 2,5 m/s^2 eller lägre

Måttolerans (K): 1,5 m/s^2

OBS: Det deklarerade vibrationsemissionsvärdet har uppmätts i enlighet med standardtestmetoden och kan användas för jämförandet av en maskin med en annan.

OBS: Det deklarerade vibrationsemissionsvärdet kan också användas i preliminär bedömning av exponering för vibration.

⚠ VARNING: Vibrationsemissionen under faktisk användning av maskinen kan skilja sig från det deklarerade emissionsvärdet, beroende på hur maskinen används.

⚠ VARNING: Se till att hitta säkerhetsåtgärder som kan skydda användaren och som grundar sig på en uppskattning av exponering i verkligheten (ta med i beräkningen alla delar av användandet såsom antal gånger maskinen är avstängd och när den körs på tomgång samt då startomkopplaren används).

Gäller endast Europa**EU-konformitetsdeklaration**

Makita försäkrar att följande maskiner:

Maskinbeteckning:

Batteridrivna slipstiftsmaskin

Modellnummer/Typ: DGD800, DGD801

Följer följande EU-direktiv:

2006/42/EC

De är tillverkade i enlighet med följande standard eller standardiseringsdokument:

EN60745

Den tekniska dokumentationen i enlighet med 2006/42/EG finns tillgänglig från:

Makita, Jan-Baptist Vinkstraat 2, 3070, Belgium

10.11.2015



Yasushi Fukaya

Direktör

Makita, Jan-Baptist Vinkstraat 2, 3070, Belgium

Allmänna säkerhetsvarningar för maskin

⚠ VARNING Läs igenom alla säkerhetsvarningar och instruktioner. Underlåtenhet att följa varningar och instruktioner kan leda till elektrisk stöt, brand och/eller allvarliga personskador.

Spara alla varningar och instruktioner för framtida referens.

SÄKERHETSVARNINGAR FÖR SLADDLÖS RAK SLIPMASKIN

Säkerhetsvarningar vid slipning:

1. **Denna maskin är avsedd att användas till slipning. Läs alla säkerhetsvarningar, anvisningar, illustrationer och specifikationer som medföljer den här maskinen.** Inom alla instruktioner nedan följs kan det leda till elektrisk stöt, brand och/eller allvarlig skada.
2. **Arbeten som sandslipning, stålborstning, polering eller kapning är inte rekommenderade att utföras med den här maskinen.** Att utföra arbeten som inte är lämpade för den här maskinen kan orsaka fara eller personskada.
3. **Använd inte tillbehör som inte är särskilt tillverkade och rekommenderade av maskinens tillverkare.** Även om tillbehöret passar maskinen, innebär det inte säker funktion.
4. **Tillbehörets märkvarvtalet måste vara minst lika med det maximala varvtalet som anges på maskinen.** Tillbehör som används över märkvarvtalet kan gå sönder och orsaka skador.
5. **Ytterdiametern och tjockleken på ditt tillbehör måste ligga inom ramen för kapaciteten för din maskin.** Tillbehör med felaktigt storlek är svårkontrollerade.
6. **Spindelhålet på tillbehören måste passa i spännhysan på maskinen.** Tillbehör som inte överensstämmer med monteringsdetaljerna på maskinen kommer att bli obalanserade, vibrera överdrivet mycket och kan göra att du förlorar kontrollen.
7. **Spindelmonterade tillbehör måste vara helt införda i spännhysan eller chucken.** Om spindel inte sitter fast tillräckligt bra och/eller om rondellens utskjutande del är för lång, kan det monterade tillbehöret lossna och kastas ut med mycket hög hastighet.
8. **Använd inte ett skadat tillbehör. Undersök tillbehör som sliprondell före varje användning, så att t ex sprickor inte uppstått. Om du tappar maskinen eller tillbehöret, sök efter skador eller installera ett oskadat tillbehör. Efter undersökning och installation av tillbehöret, ställ dig och åskådare bort från det roterande tillbehöret och kör maskinen på full fart utan last i en minut. Skadade tillbehör faller normalt sönder under den här testtiden.**
9. **Bär personlig skyddsutrustning. Använd ansiktsskydd eller skyddsglasögon, beroende på arbetsuppgift. Använd vid behov dammskydd, hörselskydd, handskar och skyddsförkläde som stoppar små bitar slipmaterial eller fragment från arbetsstycket.** Ögonskyddet måste kunna stoppa flygande materialrester som orsakas av olika arbeten. Dammskyddet måste kunna filtrera partiklar som skapas av olika arbeten. Lång tid i kraftigt buller kan orsaka hörselskador.
10. **Håll personer i omgivningen på säkert avstånd från arbetsområdet. De som befinner sig i arbetsområdet ska bära personlig skyddsutrustning.** Delar av arbetsstycket eller defekta tillbehör kan flyga iväg och orsaka skador utanför arbetsområdet.

11. **Håll maskinen endast i de isolerade handtagen om det finns risk för att skärverktyget kan komma i kontakt med en dold elabel.** Om verktyget kommer i kontakt med en strömförande ledning blir maskinens metalldelar strömförande och kan ge operatören en elektrisk stöt.
12. **Håll alltid maskinen i ett stadigt grepp vid starten.** Vridmomentet i motorn när den accelererar kan göra att maskinen vrider sig.
13. **Använd klämmor när det är möjligt för att stödja arbetsstycket. Håll aldrig ett litet arbetsstycke i en hand och maskinen i den andra vid användning.** Genom att spänna fast ett litet arbetsstycke så får du händerna fria för att kontrollera maskinen. Runda material såsom träpluggar, rör eller slangar har en tendens att rulla när de skärs och kan göra skäret nypor fast fast eller skickas mot dig.
14. **Lägg aldrig maskinen åt sidan förrän den har stannat helt.** Det roterande tillbehöret kan gripa tag i underlaget och du kan förlora kontrollen över maskinen.
15. **Efter byte av skär eller vid justering bör du alltid se till att spännhysans mutter, chuck eller annan typ av justeringsanordning sitter fast ordentligt.** Lösa justeringsanordningar kan röra på sig utan förvarning vilket orsakar förlust av kontroll och att lösa roterande komponenter kastas iväg med en våldsam fart.
16. **Kör inte maskinen när du bär det vid din sida.** Oavsiktlig kontakt med det roterande tillbehöret kan fastna i dina kläder, och dra in tillbehöret mot kroppen.
17. **Rengör regelbundet maskinens ventilationsöppningar.** Motorns fläkt suger in damm i höljet och överdriven ansamling av pulveriserad metall kan orsaka elektrisk fara.
18. **Använd inte maskinen i närheten av lättantändliga material.** Gnistor kan antända dessa material.
19. **Använd inte tillbehör som kräver flytande kylvätskor.** Att använda vatten eller andra flytande kylvätskor kan orsaka dödsfall eller elektriska stötar.

Bakåtkast och relaterade varningar

Bakåtkast är en plötslig reaktion som sker när en skiva nypor fast eller kärvar. Nyp och kärvning orsakar stegring av det roterande tillbehöret vilket i sin tur tvingar den okontrollerade maskinen i motsatt riktning vid kärvningsspunkten. Om en sliprondell till exempel nypor fast i arbetsstycket, kan sliprondellens kant som går in i fästpunkten skära in i materialet och orsaka att rondellen hoppar ur och kastas bakåt. Rondellen kan antingen hoppa mot eller från användaren, beroende på rondellens rörelseriktning vid punkten där den nypor fast. Sliprondeller kan även gå sönder under dessa omständigheter. Bakåtkast beror på ovarsamhet och/eller felaktiga arbetsrutiner eller omständigheter för maskinen och kan undvikas genom att vidta nedanstående förebyggande åtgärder.

- a) **Fatta ett stadigt grepp om maskinen och håll din kropp och arm i en position som gör att du kan stå emot krafterna i ett bakåtkast.** Användaren kan kontrollera krafterna i ett bakåtkast om lämpliga försiktighetsåtgärder vidtas.
- b) **Var särskilt försiktig när du bearbetar hörn, vassa kanter etc. Undvik att studsas och stöta tillbehöret.** Hörn, vassa kanter eller studsar har en tendens att nypa fast det roterande tillbehöret och göra att man förlorar kontrollen eller råkar ut för bakåtkast.

- c) **Montera inte ett tandt sågblad.** Sådana blad orsakar ofta bakåtkast och förlorad kontroll.
- d) **För alltid in skivan i materialet ifrån samma riktning som den skärande kanten lämnar materialet (vilket är samma riktning som filisorna kastas åt).** Införande av maskinen i fel riktning gör att den skärande kanten klättrar ut ur arbetsstycket och drar maskinen i inmatningsriktningen.

Särskilda säkerhetsvarningar vid slipning:

- a) **Använd bara rondeller som är rekommenderade för din maskin och endast för de rekommenderade tillämpningarna.**

Ytterligare säkerhetsvarningar:

20. **Maskinen är avsedd för användning med limmade slipstift (slipstenar) permanent monterade på raka, ogångade spindlar (bultkärnor).**
21. **Se till att rondellen inte är i kontakt med arbetsstycket när du trycker på avtryckaren.**
22. **Låt verktyget vara igång en stund innan den används på arbetsstycket. Kontrollera att skivan inte vibrerar eller skakar vilket kan innebära att den är felaktigt monterad eller dåligt balanserad.**
23. **Slipa endast med den del av rondellen som är avsedd för slipning.**
24. **Se upp för gnistsprut. Håll maskinen på ett sådant sätt att gnistorna flyger i riktning bort från dig, övriga personer eller brännbart material.**
25. **Lämna inte maskinen igång. Använd endast maskinen när du håller den i händerna.**
26. **Rör inte vid arbetsstycket omedelbart efter arbetet. Det kan vara extremt varmt och orsaka brännskador.**
27. **Följ tillverkarens anvisningar för korrekt montering och användning av rondeller. Hantera rondellerna varsamt och förvara dem på säker plats.**
28. **Kontrollera att arbetsstycket är ordentligt fastsatt.**
29. **Om arbetsplatsen är extremt varm och fuktig, eller har hög koncentration av elektriskt ledande damm, ska jordfelsbrytare (30 mA) användas för användarens säkerhet.**
30. **Använd inte maskinen för material som innehåller asbest.**
31. **Se till att alltid ha ett ordentligt fotfäste. Se till att ingen står under dig när maskinen används på hög höjd.**

SPARA DESSA ANVISNINGAR.

⚠ VARNING: GLÖM INTE att noggrant följa säkerhetsanvisningarna för maskinen även efter det att du har blivit van att använda den. OVARSAM hantering eller underlåtenhet att följa säkerhetsanvisningarna i denna bruksanvisning kan leda till allvarliga personskador.

VIKTIGA SÄKERHETSANVISNINGAR

FÖR BATTERIKASSETT

1. **Innan batterikassetten används ska alla instruktioner och varningsmärken på (1) batteriladdaren, (2) batteriet och (3) produkten läsas.**
2. **Montera inte isär batterikassetten.**
3. **Om drifttiden blivit avsevärt kortare ska användningen avbrytas omedelbart. Det kan uppstå överhettning, brännskador och t o m en explosion.**
4. **Om du får elektrolyt i ögonen ska de sköljas med rent vatten och läkare uppsöks omedelbart. Det finns risk för att synen förloras.**
5. **Kortslut inte batterikassetten.**
 - (1) **Rör inte vid polerna med något strömförande material.**
 - (2) **Undvik att förvara batterikassetten tillsammans med andra metallobjekt som t ex spikar, mynt etc.**
 - (3) **Skydda batteriet mot vatten och regn. Ett kortslutet batteri kan orsaka ett stort strömflöde, överhettning, risk för brännskador och maskinen kan till och med gå sönder.**
6. **Förvara inte maskinen och batterikassetten på platser där temperaturen kan nå eller överstiga 50°C (122°F).**
7. **Bränn inte upp batterikassetten även om den är svårt skadad eller helt utsliten. Batterikassetten kan explodera i öppen eld.**
8. **Var försiktig så att du inte råkar tappa batteriet och utsätt det inte för stötar.**
9. **Använd inte ett skadat batteri.**
10. **Litiumjonbatterierna som ingår lyder under kraven i lagen för farligt gods.**
Vid kommersiella transporter av t.ex. tredje part, speditörer, måste de särskilda krav som anges på emballage och märkningar följas.
För förberedelse av de föremål som ska transporteras krävs att man konsulterar en expert på farligt material. Även mer detaljerade nationella bestämmelser ska följas.
Tejpa för eller maskera öppna kontakter och förpacka batteriet så att det inte kan flyttas runt i förpackningen.
11. **Följ lokala föreskrifter beträffande avfallshandling av batteriet.**

SPARA DESSA ANVISNINGAR.

⚠ FÖRSIKTIGHET: Använd endast Makitas originalbatterier.

Om andra batterier än de från Makita används eller om batterierna har förändrats kan det resultera i brand, personskador och andra skador. Dessutom blir även Makita-garantin för maskinen och laddaren från Makita ogiltig.

Tips för att uppnå batteriets maximala livslängd

1. Ladda batterikassetten innan den är helt urladdad.
2. Sluta att använda maskinen och ladda batterikassetten när du märker att kraften avtar.
3. Ladda aldrig en fulladdad batterikasset. Överladdning förkortar batteriets livslängd.
4. Ladda batterikassetten vid rumstemperaturer mellan 10°C och 40°C (50°F - 104°F). Låt en varm batterikasset svalna innan den laddas.
5. Ladda batterikassetten om du inte använder den under en lång tidsperiod (mer än sex månader).

FUNKTIONSBESKRIVNING

⚠ FÖRSIKTIGT:

- Se alltid till att maskinen är avstängd och batterikassetten borttagen innan du justerar eller kontrollerar maskinens funktioner.

Montera eller demontera batterikassetten

► Fig.1: 1. Knapp 2. Röd indikator 3. Batterikasset

⚠ FÖRSIKTIGT:

- Stäng alltid av maskinen innan du monterar eller tar bort batterikassetten.
- **Håll stadigt i maskinen och batterikassetten när du installerar eller tar bort batterikassetten.** Om du inte håller stadigt i maskinen och batterikassetten kan de halka ur dina händer och skadas samt orsaka personskada.

Ta bort batterikassetten genom att skjuta ner knappen på kassetens framsida samtidigt som du drar ut batterikassetten.

Sätt i batterikassetten genom att rikta in tungan på batterikassetten mot spåret i höljet och skjut den på plats. Tryck in batterikassetten ordentligt tills den låser fast med ett klick. Om du kan se den röda indikatorn på knappens ovansida är batterikassetten inte låst ordentligt.

⚠ FÖRSIKTIGT:

- Sätt alltid i batterikassetten helt tills den röda indikatorn inte längre syns. I annat fall kan den oväntat falla ur maskinen och skada dig eller någon annan.
- Montera inte batterikassetten med våld. Om kassetten inte lätt glider på plats är den felisatt.

Skyddssystem för batteri

Maskinen är utrustad med ett batteriskyddssystem. Detta system bryter automatiskt strömmen till motorn för att förlänga batteriets livslängd.

Maskinen stanna automatiskt under användningen om maskinen och/eller batteriet hamnar i en av följande situationer:

- **Överbelastad:**
Maskinen används på ett sätt som orsakar att den förbrukar onormalt mycket ström. Om detta inträffar ska du stänga av maskinen och avbryta arbetet som ledde till att maskinen blev överbelastad. Starta därefter maskinen för att starta om arbetet. Om maskinen inte startar är batteriet överhettat. Om detta inträffar ska du låta batteriet svalna innan du startar maskinen igen.
- **Batterispänningen faller:**
Den kvarvarande batterikapaciteten är för låg och maskinen fungerar inte. I detta läge tar du bort batteriet och laddar det.

OBS: Överhettningsskyddet fungerar endast med en stjärnmärkt batterikasset.

► Fig.2: 1. Stjärnmarkering

Indikerar resterande batterikapacitet

(Endast för batterikassetter med "B" i slutet av modellnumret.)

► Fig.3: 1. Indikatorlampor 2. CHECK-knapp

Tryck på kontrollknappen på batterikassetten för att ange återstående batterikapacitet. Indikatorlamporna tänds under några sekunder.

Indikatorlampor			Återstående kapacitet
Tänd	OFF	Blinkar	
■	□	◐	75 % till 100 %
■	■	□	50 % till 75 %
■	■	□	25 % till 50 %
■	□	□	0 % till 25 %
◐	□	□	Ladda batteriet.
■	■	□	Det kan ha uppstått fel på batteriet.

OBS:

- Beroende på användningsförhållanden och den omgivande temperaturen kan indikationen skilja sig lätt från den faktiska batterikapaciteten.

Användningsfunktion

► Fig.4: 1. Skjutknapp

⚠ FÖRSIKTIGT:

- Innan du sätter i batterikassetten i maskinen skall du kontrollera att skjutknappen fungerar och återgår till läget "OFF" när du trycker på den bakre delen av skjutknappen.
- Knappen kan låsas i läge "ON" för att underlätta användning när maskinen används under längre tid. Var försiktig när du låser maskinen i läge "ON", och fortsätt håll ett stadigt grepp i maskinen.

Skjut skjutknappen till läget "I (ON)" för att starta maskinen. För kontinuerlig funktion trycker du ned den främre delen av skjutknappen så att den spärras.

Tryck ned den bakre delen av kontakten och skjut den till läget "O (OFF)" för att stänga av maskinen.

Indikatorlampa med flera funktioner

► Fig.5: 1. Indikatorlampa

Det finns två indikatorpositioner.

Indikatorlampan blinkar snabbt under ca en sekund när du sätter fast batterikassetten i maskinen med skjutknappen i läge "O (OFF)". Om den inte blinkar är antingen batterikassetten eller indikatorlampan trasig.

— Överlastskydd

- Indikatorlampan tänds om maskinen överbelastas. När belastningen minskar slocknar lampan.
- Om maskinen överbelastas och indikatorlampan fortsätter att lysa under ca 2 sekunder stoppas maskinen automatiskt. Detta förhindrar att motorn och tillhörande delar skadas.
- Starta maskinen igen genom att först ställa skjutknappen i läget "O (OFF)" och sedan i läget "I (ON)".

— Signal för batteribyte

- När batterikapaciteten är låg tänds indikatorlampan under drift innan batterikapaciteten tar slut.

— Funktion för att förhindra oavsiktlig start

- Även om skjutknappen står i läget "I (ON)" startar inte maskinen när du sätter fast batterikassetten. Lampan blinkar istället långsamt för att visa att startspärrfunktionen är aktiv.
- Starta maskinen genom att först föra reglaget till läge "O (OFF)" och sedan till läge "I (ON)".

MONTERING

⚠ FÖRSIKTIGT:

- Se alltid till att maskinen är avstängd och batterikassetten borttagen innan du underhåller maskinen.

Montering eller demontering av slipstift

► Fig.6: 1. Skruvnyckel 13 2. Slipstift 3. Hylsmutter 4. Skruvnyckel 13

Lossa hylsmuttern och för in slipstiftet i den. Använd ena nyckeln för att hålla fast spindeln och den andra till att dra fast hylsmuttern.

Slipstiftet får inte sticka ut mer än 10 mm ur spärrhylsan. Ett längre avstånd kan medföra vibrationer eller avbrutet skaft.

► Fig.7

Gör på omvänt sätt för att ta bort slipstiftet.

⚠ FÖRSIKTIGT:

- Använd alltid rätt storlek på hylsmuttern för det slipstift du ska använda.

ANVÄNDNING

► Fig.8

Starta maskinen utan att slipverktyget vidrör arbetsstycket och vänta tills verktyget uppnår full hastighet. Börja sedan arbeta försiktigt. Bästa finish erhålls när maskinen förs långsamt åt vänster.

⚠ FÖRSIKTIGT:

- Tryck inte hårt med maskinen. Överdrivet tryck på slipstiftet medför sämre finish och att motorn överbelastas.

UNDERHÅLL

⚠ FÖRSIKTIGT:

- Se alltid till att maskinen är avstängd och batterikassetten borttagen innan inspektion eller underhåll utförs.
- Använd inte bensin, thinner, alkohol eller liknande. Missfärgning, deformation eller sprickor kan uppstå.

Byte av kolborstar

► Fig.9: 1. Slitmarkering

Ta bort och kontrollera kolborstarna regelbundet. Byt dem när de är slitna ner till slitmarkeringen. Håll kolborstarna rena så att de lätt kan glida in i hållarna. Båda kolborstarna ska bytas ut samtidigt. Använd endast identiska kolborstar.

► Fig.10: 1. Skyddslock 2. Skruvmejsel

Stick in en spårskruvmejsel i urtaget på maskinen och bänd loss skyddslocket.

► Fig.11: 1. Kolhållarlock 2. Skruvmejsel

Använd en skruvmejsel för att ta bort locken till kolborstarna. Ta ur de utslitna kolborstarna, montera nya och montera locken.

Sätt tillbaka skyddslocket på maskinen.

För att upprätthålla produktens SÄKERHET och TILLFÖRLITLIGHET bör allt underhålls- och justeringsarbete utföras av ett auktoriserat Makita servicecenter och med reservdelar från Makita.

OBS:

- Några av tillbehören i listan kan vara inkluderade i maskinpaketet som standardtillbehör. De kan variera mellan olika länder.

VALFRIA TILLBEHÖR

▲ FÖRSIKTIGT:

- Dessa tillbehör och tillsatser rekommenderas för användning tillsammans med den Makita-maskin som denna bruksanvisning avser. Om andra tillbehör eller tillsatser används kan det uppstå risk för personskador. Använd endast tillbehören eller tillsatserna för de syften de är avsedda för.

Kontakta ditt lokala Makita servicecenter om du behöver ytterligare information om dessa tillbehör.

Sidohandtag (tillbehör)

► Fig.12

► Fig.13

► Fig.14

► Fig.15

När sidohandtag ska användas ska gummiskyddet tas bort och handtaget skjutas fast på maskinhuset så långt det går och sedan vridas till lämplig vinkel. Dra sedan åt handtaget genom att vrida det medurs.

▲ FÖRSIKTIGT:

- Använd alltid gummiskyddet när maskinen används utan sidohandtag.
- När gummiskyddet monteras ska det alltid skjutas på maskinen så att den översta runda försänkningen för gummit är placerad nära strömbrytarens position.

- Slipstift
- Spännhylsa (3 mm, 6 mm, 8 mm, 1/4 tum, 1/8 tum)
- Hylsmutter
- Skruvnyckel 13
- Sidohandtag
- Makitas originalbatteri och -laddare

TEKNISKE DATA

Modell	DGD800	DGD801
Patronkapasitet	6 mm eller 6,35 mm (1/4")	
Maks. skivespissdiameter	36 mm	
Maks. spindellengde (ledetapp)	46 mm	
Hastighet uten belastning (n_0) / Merkehastighet (n)	26 000 (min ⁻¹)	
Total lengde	402 mm	307 mm
Nettovekt	2,0 kg	1,7 kg
Merkespenning	DC 18 V	

• Som følge av vårt kontinuerlige forsknings- og utviklingsprogram kan de tekniske dataene endres uten ytterligere forvarsel.

- Tekniske data og batteri kan variere fra land til land.
- Vekt, med batteri, i henhold til EPTA-prosedyre 01/2003

Beregnet bruk

Denne maskinen er laget for sliping av jernholdige materialer eller fjerning av støpegrader.

Støy

Typisk A-vektet lydtryknivå er bestemt i henhold til EN60745:

Lydtryknivå (L_{pA}): 72 dB (A)

Usikkerhet (K): 3 dB (A)

Støynivået under arbeid kan overskride 80 dB (A).

Bruk hørselvern

Vibrasjon

Den totale vibrasjonsverdien (triaksial vektorsum) bestemt i henhold til EN60745:

Modell DGD800

Arbeidsmåte: overflatesliping

Genererte vibrasjoner ($a_{h,SG}$): 6,5 m/s²

Usikkerhet (K): 1,5 m/s²

Modell DGD801

Arbeidsmåte: overflatesliping

Genererte vibrasjoner ($a_{h,SG}$): 2,5 m/s² eller mindre

Usikkerhet (K): 1,5 m/s²

MERK: Den angitte verdien for de genererte vibrasjonene er blitt målt i samsvar med standardtestmetoden og kan brukes til å sammenlikne et verktøy med et annet.

MERK: Den angitte verdien for de genererte vibrasjonene kan også brukes til en foreløpig vurdering av eksponeringen.

ADVARSEL: De genererte vibrasjonene ved faktisk bruk av elektroverktøyet kan avvike fra den oppgitte vibrasjonsverdien, avhengig av hvordan verktøyet brukes.

ADVARSEL: Vær påpasselig med å finne sikkerhetstiltak som beskytter operatøren, basert på en oppfatning av risiko under faktiske bruksforhold (på bakgrunn av alle sider ved brukssyklusen, som når verktøyet slås av og når det går på tomgang, i tillegg til oppstarten).

Gjelder bare land i Europa

EF-samsvarserklæring

Makita erklærer at følgende maskin(er):

Maskinbetegnelse:

Trådløs rettsliper

Modellnr./type: DGD800, DGD801

Samsvarer med følgende europeiske direktiver:
2006/42/EC

De er produsert i henhold til følgende standarder eller standardiserte dokumenter:

EN60745

Den tekniske filen i samsvar med 2006/42/EF er tilgjengelig fra:

Makita, Jan-Baptist Vinkstraat 2, 3070, Belgia

10.11.2015



Yasushi Fukaya
Direktør

Makita, Jan-Baptist Vinkstraat 2, 3070, Belgia

Generelle advarsler angående sikkerhet for elektroverktøy

ADVARSEL Les alle sikkerhetsadvarslene og alle instruksjonene. Hvis du ikke følger alle advarslene og instruksjonene som er oppført nedenfor, kan det føre til elektriske støt, brann og/eller alvorlige helseskader.

Oppbevar alle advarsler og instruksjoner for senere bruk.

SIKKERHETSADVARSLER FOR TRÅDLØS TURBINSLIPEMASKIN

Vanlige sikkerhetsadvarsler for sliping:

- Dette elektroverktøyet er beregnet for sliping.** Les alle sikkerhetsadvarsler, instruksjoner, illustrasjoner og spesifikasjoner som følger med dette elektroverktøyet. Unnlattelse av å følge alle instruksjoner i oversikten nedenfor, kan føre til elektrisk støt, brann og alvorlige skader.
- Pussing, stålborsting, polering eller kutting bør ikke utføres med dette elektroverktøyet.** Bruk av verktøyet til noe annet enn det det er beregnet for, kan medføre fare og forårsake personskade.
- Ikke bruk tilbehør som ikke er spesielt beregnet og anbefalt av verktøyprodusenten.** Selv om tilbehøret kan monteres på elektroverktøyet, er ikke det noen garanti for sikker bruk.
- Angitt hastighet for tilbehøret må være minst like høy som største angitte hastighet på elektroverktøyet.** Tilbehør som kjøres med større hastighet enn det som er angitt, kan gå i stykker og slynges ut.
- Den utvendige diameteren og tykkelsen på tilbehøret må ligge innenfor den oppgitte kapasiteten for verktøyet.** Tilbehør i feil størrelse kan ikke bli tilstrekkelig kontrollert.
- Aksehullet til tilbehøret må passe til spennhyslen på verktøyet.** Tilbehør som ikke passer til monteringsmekanismen på verktøyet vil komme ut av balanse, vibrere sterkt og kan forårsake at du mister kontrollen.
- Spindelmontert tilbehør må være satt helt inn i spennhyslen eller chocken.** Hvis spindelen holdes utilstrekkelig og/eller overhengt til skiven er for langt, kan det monterte tilbehøret løsne og slynges ut i høy hastighet.
- Ikke bruk tilbehør som er skadet.** Undersøk før hver gangs bruk, om tilbehør som slipeskiver har hakk eller sprekker. Hvis elektroverktøyet eller tilbehøret faller ned, må det undersøkes om det har oppstått skade og eventuelt skiftes ut med uskadd tilbehør. Når et tilbehør er undersøkt og montert, skal du stille deg selv og andre utenfor tilbehørets rotasjonsplan og kjøre verktøyet på maksimal hastighet, uten belastning, i ett minutt. Skadet tilbehør vil vanligvis gå i stykker i løpet av en slik test.
- Bruk personvernustyr.** Bruk ansiktsskjold, beskyttelsesbriller eller vernebriller, alt avhengig av bruken. Bruk etter behov støvmaske, hørselsvern, hansker og beskyttelsesdekke som kan stoppe små slipepartikler eller fragmenter fra arbeidsstykket. Beskyttelsesbrillene må kunne stoppe flygende deler fra bruken av verktøyet. Støvmasken eller pustemasken må kunne filtrere partikler som dannes ved bruken av verktøyet. Kraftig lyd over lengre tid kan forårsake redusert hørsel.
- Hold tilskuere på trygg avstand fra arbeidsområdet.** Alle som beveger seg inn i arbeidsområdet må bruke personvernustyr. Fragmenter fra arbeidsstykket eller fra skadet tilbehør kan slynges ut og forårsake skade utenfor det nære arbeidsområdet.

- Hold maskinen bare i det isolerte håndtaket når skjærende verktøy kan komme i kontakt med skulte ledninger under arbeidet.** Hvis verktøyet får kontakt med strømførende ledninger, vil også isolerte metalldeleer av maskinen bli strømførende og gi brukeren elektrisk støt.
- Verktøyet må alltid holdes i fast grep ved oppstart.** Reaksjonsdreiemomentet for motoren, når den akselererer til full hastighet, kan forårsake at verktøyet vrir seg.
- Bruk klemmer for å støtte arbeidsstykket når det er praktisk mulig.** Hold aldri et lite arbeidsstykke i én hånd og verktøyet i den andre hånden når det er i bruk. Ved å bruke klemmer for å feste et lite arbeidsstykke, kan du bruke én hånd eller begge hender for å kontrollere verktøyet. Runde materialer som pluggen, rør eller fleksibelt rør har en tendens til å rulle når det kuttes, noe som kan forårsake at det fester seg eller kastes mot deg.
- Ikke legg ned elektroverktøyet før tilbehøret har stoppet helt.** Det roterende tilbehøret kan få feste i overflaten og trekke elektroverktøyet ut av kontroll.
- Etter at du har endret spissen eller foretatt eventuelle justeringer, må du kontrollere at flensmutteren, patronen eller andre justeringsenheter er forsvarlig fester.** Løse justeringsenheter kan plutselig løsne og forårsake tap av kontroll og løse, roterende komponenter kan bli kastet rundt med voldsom hastighet.
- Ikke kjør elektroverktøyet når du bærer det langs siden.** Utilskilt kontakt med roterende tilbehør kan føre til at det fester i klærne og trekkes inn mot kroppen.
- Rengjør verktøyets luftventiler regelmessig.** Motorens vifte trekker støv inn i verktøyhuset og mye oppsamlet metallstøv kan medføre elektrisk fare.
- Ikke bruk elektroverktøyet nær brennbare materialer.** Gnister kan antenne slike materialer.
- Ikke bruk tilbehør som krever kjølevæske.** Bruk av vann eller andre kjølevæsker kan føre til elektrisk støt.

Tilbakeslag og relaterte advarsler

Tilbakeslag er en plutselig reaksjon på et roterende tilbehør som klemmes eller hektes fast. Fastklemming forårsaker plutselig stopp av det roterende tilbehøret noe som forårsaker at det ukontrollerbare verktøyet kastes i motsatt retning av tilbehørets rotasjonsretning. Hvis for eksempel en slipeskive klemmes fast i arbeidsstykket, kan kanten på skiven som er fastklemt grave seg inn i overflaten på materialet og føre til at skiven spretter eller slynges ut. Skiven kan enten sprette mot eller vekk fra operatøren avhengig av rotasjonsretningen på skiven når den klemmes fast. Slipeskiver kan også knekke under slike forhold. Tilbakeslag er et resultat av feil bruk av verktøyet og/eller feilaktige arbeidsprosedyrer eller arbeidsforhold og kan unngås hvis man tar riktige forholdsregler som angitt nedenfor.

- Hold verktøyet godt fast og plasser kroppen og armene dine for å motstå kreftene ved tilbakeslag.** Operatørene kan kontrollere kreftene ved tilbakeslag hvis det tas riktige forholdsregler.

b) Vær spesielt forsiktig under arbeid med hjørner, skarpe kanter osv. Unngå at tilbehøret spretter eller hugger. Hjørner, skarpe kanter eller hugg fører ofte til at det roterende tilbehøret kommer i klemme og forårsaker tap av kontroll eller tilbakeslag.

c) **Ikke monter et tannet sagblad.** Slike blader forårsaker ofte tilbakeslag og tap av kontroll.
d) **Mat alltid spissen inn i materialet i samme retning som skjærekanten for materialet (samme retning som flisene kastes).** Hvis du mater verktøyet i feil retning, kan det føre til at skjærekanten til spissen trekkes ut av arbeidsstykket og trekker verktøyet i retning av denne innmatingen.

Spesielle sikkerhetsadvarsler for sliping:

a) **Bruk kun skiver som er anbefalt for verktøyet og til de anbefalte bruksområdene.**

Ekstra sikkerhetsadvarsler:

- Verktøyet er tiltenkt brukt sammen med faste slipeskiver (slipesteiner) permanent montert på en jevn spindel (ledetapper).
- Forviss deg om at skiven ikke har kontakt med arbeidsstykket før startbryteren er slått på.
- Før du begynner å bruke verktøyet på et arbeidsstykke, bør du la det gå en liten stund. Se etter vibrasjoner eller vingling som kan tyde på at skiven er dårlig balansert.
- Bruk den angitte overflaten av skiven til å utføre slipingen.
- Se opp for flygende gnister. Hold maskinen slik at gnistene flyr bort fra deg og andre personer eller brennbare materialer.
- Ikke gå fra verktøyet mens det er i gang. Verktøyet må bare brukes mens operatøren holder det i hendene.
- Ikke berør arbeidsstykket umiddelbart etter bruk. Det kan være ekstremt varmt og kan gi deg brannskader.
- Følg produsentens anvisninger for korrekt montering og bruk av skiver. Håndter og oppbevar skivene forsiktig.
- Forviss deg om at arbeidsstykket står støtt.
- Hvis arbeidsplassen er ekstremt varm og fuktig, eller svært forurenset med elektrisk ledende støv, må du bruke en kortslutningsbryter (30 mA) for å ivareta operatørens sikkerhet.
- Ikke bruk maskinen på materialer som inneholder asbest.
- Forviss deg alltid om at du har godt fotfeste. Forviss deg om at ingen står under deg når du jobber høyt over bakken.

TA VARE PÅ DISSE INSTRUKSENE.

⚠ADVARSEL: Selv om du har brukt produktet mye og føler deg fortrolig med det, er det likevel svært viktig at du følger nøye de retningslinjene for sikkerhet som er utarbeidet for dette produktet. **MISBRUK** av verktøyet eller mislighold av sikkerhetsreglene i denne brukerhåndboken kan resultere i alvorlige helseskader.

VIKTIGE SIKKERHETSINSTRUKSJONER

FOR BATTERIET

- Før du begynner å bruke batteriet, må du lese alle anvisninger og forsiktighetsregler på (1) batteriladeren, (2) batteriet og (3) det produktet batteriet skal brukes i.
- Ikke ta fra hverandre batteriet.
- Hvis driftstiden er blitt vesentlig kortere, må du omgående slutte å bruke maskinen. Hvis ikke kan resultatet bli overoppheting, mulige forbrenninger eller til og med en eksplosjon.
- Hvis du får elektrolytt i øynene, må du skylle dem med store mengder rennende vann og oppsøke lege med én gang. Denne typen uhell kan føre til varig blindhet.
- Ikke kortslett batteriet.
 - Ikke berør batteripolene med ledende materialer.
 - Ikke lagre batteriet i samme beholder som andre metallgjenstander, som for eksempel spiker, mynter osv.
 - Ikke la batteriet komme i kontakt med vann eller regn.En kortslutning av batteriet kan føre til et kraftig strømstøt, overoppheting, mulige forbrenninger og til og med til at batteriet går i stykker.
- Ikke lagre maskinen og batteriet på steder hvor temperaturen kan komme opp i eller overskride 50 ° C (122 ° F).
- Ikke sett fyr på batteriet, ikke engang om det er sterkt skadet eller helt utslitt. Batteriet kan eksplodere hvis det begynner å brenne.
- Vær forsiktig så du ikke mister batteriet eller utsetter det for slag.
- Ikke bruk batterier som er skadet.
- De inkluderte litium-ion-batteriene er underlagt kravene i lovgivningen om farlig gods. For kommersielle transporter f.eks. via tredjeparter, transportagenter, må det følges spesielle krav vedrørende innpakning og merking. For klargjøring av gjenstanden som skal sendes, må du forhøre deg med en ekspert for farlige materialer. Overhold også mulige mer detaljerte nasjonale forskrifter. Tape eller masker åpne kontakter og pakk batteriet på en slik måte at det ikke kan bevege seg rundt i pakken.
- Følg lokale bestemmelser for avhending av batterier.

TA VARE PÅ DISSE INSTRUKSENE.

⚠FORSIKTIG: Bruk kun originale Makita-batterier. Bruk av andre batterier enn originale Makita-batterier eller batterier som har blitt endret, kan føre til at batteriet sprekker og forårsaker brann, personskader og materielle skader. Det vil også gjøre Makitas garanti for Makita-verktøyet og -laderen ugyldig.

Tips for å opprettholde maksimal batterilevetid

1. **Lad batteriet igjen før det er fullstendig utladet.** Hold alltid opp å bruke maskinen når du merker at det er lite strøm på batteriet. Sett batteriet til lading.
2. **Et helt oppladet batteri må aldri settes til ny lading.** Overoplading forkorter batteriets levetid.
3. **Lad batteriet ved romtemperatur ved 10 ° C - 40 ° C (50 ° F - 104 ° F).** Hvis batteriet er varmt, må det få avkjøle seg før lading.
4. **Lad batteriet hvis du ikke skal bruke det i lengre perioder (mer enn seks måneder).**

FUNKSJONSBSKRIVELSE

⚠FORSIKTIG:

- Forviss deg alltid om at maskinen er slått av og batteriet tatt ut før du justerer maskinen eller kontrollerer dens mekaniske funksjoner.

Sette inn eller ta ut batteri

► Fig.1: 1. Knapp 2. Rød indikator 3. Batteri

⚠FORSIKTIG:

- Slå alltid av verktøyet før du setter inn eller fjerner batteriet.
- **Hold godt rundt maskinen og batteriet når du setter inn eller tar ut batteriet.** Hvis du mister ned maskinen eller batteriet, kan dette forårsake personskader eller skader på maskinen/batteriet.

For å ta ut batteriet må du skyve på knappen foran på batteriet og trekke det ut.

Når du skal sette inn batteriet, må du plassere tungen på batteriet på linje med sporet i huset og skyve batteriet på plass. Skyv det helt inn til det går i inngrep med et lite klikk. Hvis du kan se den røde anviseren på oversiden av knappen, er det ikke gått skikkelig i lås.

⚠FORSIKTIG:

- Batteriet må alltid settes helt inn, så langt at den røde anviseren ikke lenger er synlig. Hvis du ikke gjør dette, kan batteriet falle ut av maskinen og skade deg eller andre som oppholder seg i nærheten.
- Ikke bruk makt når du setter i batteriet. Hvis batteriet ikke glir lett inn, er det fordi det ikke settes inn på riktig måte.

Batteribeskyttelsessystem

Verktøyet er utstyrt med et batterivernsystem. Dette systemet slår automatisk av strømmen til motoren for å forlenge batteriets levetid.

Verktøyet stopper automatisk ved drift hvis det og/eller batteriet utsettes for en av følgende tilstander:

- **Overbelastning:**
Verktøyet brukes på en måte som gjør at det trekker uvanlig mye strøm.
I denne situasjonen slår du verktøyet av og stanser bruken som førte til at verktøyet ble overbelastet. Slå deretter verktøyet på for å starte på nytt.
Hvis verktøyet ikke starter, er batteriet overopphetet. I denne situasjonen lar du batteriet kjøle seg ned før du slår verktøyet på igjen.
- **Lav batterispenning:**
Gjenværende batterikapasitet er for lav, og verktøyet vil ikke fungere. I dette tilfellet, fjern og lad batteriet opp igjen.

MERK: Overopphetingsvernet fungerer bare med et batteri med stjernemerke.

► Fig.2: 1. Stjernemerking

Indikere gjenværende batterikapasitet

(Bare for batterier der modellnummeret slutter på "B".)

► Fig.3: 1. Indikatorlamper 2. CHECK-knapp

Trykk på kontrollknappen på batteriet for å se gjenværende batterikapasitet. Indikatorlampen lyser i noen sekunder.

Indikatorlamper			Gjenværende kapasitet
Lyser	OFF	Blinker	
■	□	▣	75 % til 100 %
■	■	□	50 % til 75 %
■	■	□	25 % til 50 %
■	□	□	0 % til 25 %
▣	□	□	Lad batteriet.
■	■	□	Det kan være en feil med batteriet.
□	□	■	

MERK:

- Det angitte nivået kan avvike noe fra den faktiske kapasiteten alt etter bruksforholdene og den omgivende temperaturen.

Bryterfunksjon

► Fig.4: 1. Skyvebryter

⚠FORSIKTIG:

- Før du setter batteriet inn i maskinen, må du kontrollere at skyvebryteren starter maskinen på riktig måte og går tilbake til "OFF"-stilling når den slippes.
- Bryteren kan sperres i "ON"-stilling for å gjøre det lettere for operatøren ved langvarig bruk. Vær forsiktig når du sperrer verktøyet i "ON"-stilling, og hold det godt fast.

Start verktøyet ved å skyve skyvebryteren mot "I"-stillingen (PÅ). For kontinuerlig drift må du trykke på fremre del av skyvebryteren for å låse denne. Stopp verktøyet ved å trykke på bakre del av skyvebryteren, og skyv den deretter mot "O (AV)"-stillingen.

Indikatorlampe med flere funksjoner

► Fig.5: 1. Indikatorlampe

Indikatorlamper er plassert på to steder. Når batteriinnsetningen settes inn i verktøyet mens skyvebryteren står i "O (OFF)"-stilling, blinker indikatorlampen raskt i ca. et sekund. Hvis den ikke blinker, er det feil på batteriinnsetningen eller indikatorlampen er ødelagt.

- **Overlastvern**
 - Hvis verktøyet overbelastes, lyser indikatorlampen. Når belastningen reduseres, slukker lampen.
 - Hvis verktøyet fortsetter å være overbelastet og lampen fortsetter å lyse i to sekunder, stopper verktøyet. På denne måten unngår du at motoren og motordelene blir skadet.
 - I slike tilfeller må du starte verktøyet ved å skyve glidebryteren til "O (OFF)"-stilling og deretter til "I (ON)"-stilling.
- **Varsellampe for bytte av batteriinnsetning**
 - Hvis batterikapasiteten blir lav, lyser indikatorlampen under drift før det blir for liten kapasitet for driften.
- **Forebygging av utilsiktet start**
 - Selv om batteriinnsetningen settes inn i verktøyet mens glidebryteren står i "I (ON)"-stilling, starter ikke verktøyet. Nå vil lampen blinke sakte for å vise at funksjonen som forebygger utilsiktet start er aktiv.
 - For å starte verktøyet, skyver du først glidebryteren til "O (OFF)"-stilling og deretter til "I (ON)"-stilling.

MONTERING

⚠FORSIKTIG:

- Forviss deg alltid om at maskinen er slått av og batteriet tatt ut før du utfører noe arbeid på maskinen.

Montere eller montere skivespissen

► Fig.6: 1. Skrunøkkel 13 2. Skivespiss 3. Patronmutter 4. Skrunøkkel 13

Løsne kjoksmutteren og sett skivespissen inn i kjoksmutteren. Bruk én skrunøkkel til å holde spindelen med, og den andre til å stramme kjoksmutteren godt. Skivespissen bør ikke være montert mer enn 10 mm fra patronmutteren. Hvis denne avstanden overskrides, kan det forårsake vibrasjoner eller få akselen til å brekke.

► Fig.7

Fjern skivespissen ved å følge installasjonsprosedyren i motsatt rekkefølge.

⚠FORSIKTIG:

- Bruk en patronkonus med en størrelse som passer til den skivespissen du har tenkt å bruke.

BRUK

► Fig.8

Slå på maskinen uten at skivespissen kommer i kontakt med arbeidsemnet, og vent til skivespissen har oppnådd full hastighet. Sett deretter skivespissen forsiktig inntil arbeidsemnet. Beveg verktøyet langsomt mot venstre for å oppnå et godt resultat.

⚠FORSIKTIG:

- Utøv lett trykk på verktøyet. For stort trykk vil bare føre til at resultatet blir dårlig og at verktøyet overbelastes.

VEDLIKEHOLD

⚠FORSIKTIG:

- Forviss deg alltid om at maskinen er slått av og batteriet tatt ut før du foretar inspeksjon eller vedlikehold.
- Aldri bruk gasolin, bensin, tynner alkohol eller lignende. Det kan føre til misfarging, deformering eller sprekkdannelse.

Skifte kullbørster

► Fig.9: 1. Utskiftingsmerke

Fjern og kontroller kullbørstene med jevne mellomrom. Skift dem når de er slitt ned til utskiftingsmerket. Hold kullbørstene rene og fri til å bevege seg i holderne. Begge kullbørstene må skiftes samtidig. Bruk bare identiske kullbørster.

► Fig.10: 1. Deksel til børsteholderhette 2. Skrutrekker

Stikk den flate enden av en skrutrekker inn i hakket på verktøyet og løft ut dekslet på børsteholderhetten.

► Fig.11: 1. Børsteholderhette 2. Skrutrekker

Bruk en skrutrekker til å fjerne børsteholderhettene. Ta ut de slitte kullbørstene, sett i nye, og fest børsteholderhettene.

Sett dekslet på plass igjen på verktøyet.

For å opprettholde produktets SIKKERHET og PÅLITELIGHET, må reparasjoner, vedlikehold og justeringer utføres av Makitas autoriserte servicesentre, og det må alltid brukes reservedeler fra Makita.

VALGFRITT TILBEHØR

FORSIKTIG:

- Det anbefales at du bruker dette tilbehøret eller verktøyet sammen med den Makita-maskinen som er spesifisert i denne håndboken. Bruk av annet tilbehør eller verktøy kan forårsake helseskader. Tilbehør og verktøy må kun brukes til det formålet det er beregnet på.

Ta kontakt med ditt lokale Makita-servicesenter hvis du trenger mer informasjon om dette tilbehøret.

Sidehåndtak (tilbehør)

- ▶ Fig.12
- ▶ Fig.13
- ▶ Fig.14
- ▶ Fig.15

Når du skal bruke støttehåndtaket, må du ta av gummibeskytteren, sette støttehåndtaket på verktøysylindren så langt det går, og dreie det til ønsket vinkel. Stram deretter håndtaket godt ved å dreie det med klokken.

FORSIKTIG:

- Når du skal bruke verktøyet uten håndtak, må du alltid sette gummibeskytteren på maskinen.
- Når du installerer gummibeskytteren må du alltid skyve den på verktøyet slik et den øverste runde forsenkede formen på gummien er plassert nær bryterposisjonen.

- Skivespisser
- Patronkonussett (3 mm, 6 mm, 8 mm, 1/4", 1/8")
- Patronmutter
- Skrunøkkel 13
- Støttehåndtaksett
- Makita originalbatteri og lader

MERK:

- Enkelte elementer i listen kan være inkludert som standardtilbehør i verktøypakken. Elementene kan variere fra land til land.

TEKNISET TIEDOT

Malli	DGD800	DGD801
Kristysholkki	6 mm tai 6,35 mm (1/4")	
Karalaikan maks. halkaisija	36 mm	
Karan (varren) enimmäispituus	46 mm	
Nopeus kuormittamattomana (n_0) / nimellisopeus (n)	26 000 (min ⁻¹)	
Kokonaispituus	402 mm	307 mm
Nettopaino	2,0 kg	1,7 kg
Nimellisjännite	DC 18 V	

- Jatkuvan tutkimus- ja kehitysohjelman vuoksi pidätämme oikeuden muuttaa tässä mainittuja teknisiä ominaisuuksia ilman ennakoilmoitusta.
- Tekniset ominaisuudet ja akku saattavat vaihdella maakohtaisesti.
- Paino akku mukaan lukien EPTA-Procedure 01/2003 mukaan

Käyttötarkoitus

Työkalu on tarkoitettu metallien hiomiseen tai valujen purseenpoistoon.

Melutaso

Tyypillinen A-painotettu melutaso määräytyy EN60745-standardin mukaan:

Äänenpainetaso (L_{pA}): 72 dB (A)

Virhemarginaali (K): 3 dB (A)

Työskentelyn aikana melutaso voi ylittää 80 dB (A).

Käytä kuulosuojaimia

Tärinä

Värähtelyn kokonaisarvo (kolmiakselivektorin summa) on määritetty EN60745 mukaan:

Malli DGD800

Työtila: pinnan hionta

Tärinäpäästö ($a_{h,SC}$): 6,5 m/s²

Virhemarginaali (K): 1,5 m/s²

Malli DGD801

Työtila: pinnan hionta

Tärinäpäästö ($a_{h,SC}$): 2,5 m/s² tai vähemmän

Virhemarginaali (K): 1,5 m/s²

HUOMAA: Ilmoitettu tärinäpäästöarvo on mitattu standarditestaustestimen mukaisesti, ja sen avulla voidaan vertailla työkaluja keskenään.

HUOMAA: Ilmoitettua tärinäpäästöarvoa voidaan käyttää myös altistumisen alustavaan arviointiin.

VAROITUS: Työkalun käytön aikana mitattu todellinen tärinäpäästöarvo voi poiketa ilmoitetusta tärinäpäästöarvosta työkalun käyttötavan mukaan.

VAROITUS: Selvitä käyttäjän suojaamiseksi tarvittavat varoimet todellisissa käyttöolosuhteissa tapahtuvan arvioitun altistumisen mukaisesti (ottaen huomioon käyttöjakso kokonaisuudessaan, myös jaksot, joiden aikana työkalu on sammutettuna tai käy tyhjäkäynnillä).

Koskee vain Euroopan maita

VAKUUTUS EC-VASTAAVUUDESTA

Makita ilmoittaa, että seuraava(t) kone(et)

Koneen tunnistetiedot:

Akkukäyttöinen karalaikkahiomakone

Mallinro/tyyppi: DGD800, DGD801

Täyttävät seuraavien eurooppalaisten direktiivien vaatimukset:

2006/42/EC

On valmistettu seuraavien standardien tai standardoitujen asiakirjojen mukaisesti:

EN60745

Direktiivin 2006/42/EY mukaiset tekniset tiedot ovat saatavissa seuraavasta osoitteesta:

Makita, Jan-Baptist Vinkstraat 2, 3070, Belgium

10.11.2015



Yasushi Fukaya
Johtaja

Makita, Jan-Baptist Vinkstraat 2, 3070, Belgium

Sähkötyökalujen käyttöä koskevat varoitukset

VAROITUS Lue kaikki turvallisuusvaroitukset ja käyttöohjeet. Varoitusten ja ohjeiden noudattamatta jättäminen voi johtaa sähköiskuun, tulipaloon ja/tai vakavaan vammautumiseen.

Säilytä varoitukset ja ohjeet tulevaa käyttöä varten.

AKKUKÄYTTÖISEN KARALAIKKAHIOMAKONEEN TURVALLISUUSOHJEET

Yleisiä turvallisuusohjeita hiomatoimintaan:

- Tätä tehokoneetta käytetään hiomakoneena.** Lue kaikki ne turvallisuusvaroitukset, ohjeet, kuvaukset ja määrittely, jotka annetaan tämän tehokoneen mukana. Kaikkien alhaalla listattujen ohjeiden noudattamisen laiminlyönti voi aiheuttaa sähköiskun, tulipalon ja/tai vakavan
- Sellaisia toimintoja, kuten hiontaa, metallilangan harjausta, kiillottamista tai pois leikkaamista ei suositella suoritettavaksi tällä tehokoneella.** Sellaiset toiminnot, joihin tätä tehokoneetta ei ole suunniteltu, voivat luoda vaaran ja aiheuttaa henkilövamman.
- Älä käytä sellaisia lisävarusteita, jotka eivät ole nimenomaan valmistajan suunnittelemat tai suosittelemat.** Vain, koska lisävaruste voidaan liittää tehokoneeseen, se ei varmista turvallista toimintaa.
- Lisävaruste määrätyn nopeuden täytyy olla ainakin samanvertainen tehokoneessa osoitetun enimmäisnopeuden kanssa.** Sellaiset lisävarusteet, jotka menevät nopeammin, kuin määrätty nopeus, voivat rikkoutua ja lentää palasiksi.
- Lisävarusteen ulkohalkaisijan ja paksuuden pitää olla sähkötyökalun nimellistehon mukaisia.** Vääränkokoisia lisävarusteita ei voida hallita asianmukaisesti.
- Lisävarusteiden reikäkokojen täytyy sopia sähkötyökalun karaan täsmälleen.** Lisävarusteet, joiden reiät eivät vastaa sähkötyökalun kiinnitysosaa, pyöriivät epätasapainossa, tarvitsevat liikaa ja saattavat aiheuttaa hallinnan menetyksen.
- Karaan asennettavat lisävarusteet on työnnettävä kokonaan kiristysholkkiin tai kiristyskartioon.** Jos kara ei ole asianmukaisesti paikallaan ja/tai jos laikan ulkonema on liian suuri, kiinnitetty lisävaruste voi löystyä ja sinkoutua työkalusta suurella nopeudella.
- Älä käytä vahingoittunutta lisävarustetta.** Tarkista ennen jokaista käyttökertaa, ettei lisävaruste, kuten hiomarengas ole lohjennut tai särkynyt. Jos tehokone tai lisävaruste pudotetaan, tarkista se vahingon vuoksi tai aseta vahingoittumaton lisävaruste. Lisävarusteen tarkistamisen ja asentamisen jälkeen, aseta itse ja katselijat kauas pyörivän lisävarusteen höyläyksen läheltä ja käytä tehokoneita enimmäisnopeudella ilman kuormitusta noin yhden minuutin ajan. Vahingoittuneet lisävarusteet hajoavat normaalisti tämän testin aikana.
- Pukeudu henkilökohtaisiin suojavarusteisiin.** Käytöstä riippuen käytä kasvosuojaa, suojalaseja tai varmuuslaseja. Käytä pölynaamaria, kuulosuojaimia, käsineitä ja sellaista työpapjan esiliinaa, joka pystyy pysäyttämään pieniä hankausjauheen tai työkappaleen palasia. Silmäsuojan on kyettävä pysäyttämään lentäviä pirstaleita, jotka aiheutuvat erilaisten toimintojen aikana. Pölynaamion tai hengityssuojan on suodattava toiminnostasi aiheutuvat palaset. Jos olet pidemmän aikaa alttina erittäin kovalle melulle, se voi aiheuttaa kuulon menettämisen.

- Pidä sivustakatojat turvallisen välimatkan päässä työalueelta.** Kaikkien työalueelle astuvien henkilöiden on käytettävä henkilökohtaista suojavarustetta. Työkappaleen tai rikkoutuneen lisävarusteen pirstaleet voivat aiheuttaa vammautumisen välittömästi toiminta-alueen ulkopuolella.
- Kun suoritat toimintaa, jossa työkalu voi joutua kosketukseen pilossa olevien johtojen kanssa, pidä kiinni työkalusta sen eristetyn pinnan kohdalta.** Jos sähkötyökalun metalliosaa joutuu kosketukseen virrallisen johdon kanssa, työkalun sähköjohtavat metalliosat voivat aiheuttaa käyttäjälle sähköiskun.
- Kannattele työkalua tukevasti molemmin käsin käynnistyksen aikana.** Täyteen nopeuteen kiihtyvän moottorin vääntövoima, voi saada työkalun kaantymään.
- Kiinnitä työkappale paikalleen puristimilla aina, kun se on mahdollista. Älä koskaan pidä pientä työkappaletta kädessäsi ja käytä työkalua toisella kädellä.** Pienen työkappaleen kiinnittäminen paikalleen puristimilla mahdollistaa työkalun hallinnan molemmin käsin. Pyöreät kappaleet, kuten tangot, putket tai letkut, voivat helposti pyöriä työstettäessä, mikä voi saada terän juuttumaan kiinni tai ponnahtamaan käyttäjää kohti.
- Älä koskaan laita tehokoneita alas, ennen kuin lisävaruste on täysin pysähtynyt.** Pyörivä lisävaruste voi tarrata pintaan ja vetää tehokoneen ohjaus käsitäsi.
- Varmista terän vaihtamisen tai säätöjen tekemisen jälkeen, että kiristysholkin mutteri, kiristyskartio tai muut säätövarusteet on kiristetty tiukasti.** Löysällä olevat säätövarusteet voivat liikkua odottamattomasti, mistä voi olla seurauksena hallinnan menetyks, tai löystyneiden pyörivien osien sinkoutuminen suurella voimalla.
- Älä anna tehokoneen mennä sillä välin, kun kannat sitä sivullasi.** Vahingossa aiheutuva lisävarusteen pyöriminen voi repiä vaatteesi, vetäen lisävarusteen kehoosi.
- Puhdista työkalun ilma-aukot säännöllisesti.** Moottorin tuuletin imee pölyä koteloon, ja metallijauheen kerääntyminen laitteeseen voi aiheuttaa sähköiskuvaaran.
- Älä käytä tehokoneita tulenarkojen materiaalien lähellä.** Kipinät voivat sytyttää nämä materiaalit.
- Älä käytä sellaisia lisävarusteita, jotka vaativat jäähdytysnestettä.** Jos käytät vettä tai muuta jäähdytysnestettä, se voi aiheuttaa sähkötapaturman tai -iskun.

Takapotku ja siihen liittyvät varoitukset

Takapotku on kiinni juuttuneen lisävarusteen aiheuttama äkillinen sysäys. Kiinni juuttuminen tai taketelu aiheuttaa sen, että pyörivä lisävaruste pysähtyy, mikä puolestaan alkaa työntää sähkötyökalua hallitsemattomasti pyörimisliikkeelle vastakkaiseen suuntaan. Jos esimerkiksi hiomalaikka juuttuu työkappaleeseen, juuttumiskohtaan osuva laikan reuna voi pureutua kappaleeseen, jolloin laikka ponnahtaa ylös tai potkaisee ulospäin. Laikka voi ponnahtaa joko käyttäjää kohti tai käyttäjältä pois päin riippuen laikan pyörimissuunnasta juuttumishetkellä. Hiomalaikka voi tällöin myös rikkoutua.

Takapotku johtuu sähkötyökalun virheellisestä käytöstä ja/tai käyttötavasta tai olosuhteista. Takapotku voidaan välttää seuraavien varotoimien avulla.

- a) Pidä sähkötyökalusta tukevasti kiinni ja kannattele sitä siten, että voit käyttää käsiesi ja vartalosia voimaa takapotkun vastustamiseen. Käyttäjää voi hallita takapotkuja, jos hän varautuu niihin asianmukaisesti.
- b) Ole erityisen varovainen, kun työstät nurkkia, teräviä reunoja tms. Vältä lisävarusteen pomppimista ja jumittumista. Nurkat, terävät kulmat jne. voivat jumittaa pyörivä terän, minkä seurauksena voi olla hallinnan menetys tai takapotku.
- c) Älä käytä laitteessa sahateräisiä laikkoja. Ne aiheuttavat usein takapotkuja ja hallinnan menettämisiä.
- d) Syötä teräkappale työstettävään materiaaliin suunnassa, jossa leikkaava terä pyörii pois päin työstettävästä materiaalista (lastujen poistumissuuntaan). Työkalun syöttäminen väärään suuntaan saa teräkappaleen leikkuuterän nousemaan pois työkappaleesta ja vetää työkalua syötön suuntaan.

Turvavaroituksia erityisesti hiontaan:

- a) Sähkötyökalussa vain sille suositeltuja laikkatyyppisiä, ja käytä niitä vain suositeltuun käyttötarkoitukseen.

Turvallisuutta koskevat lisävaroitukset:

20. Työkalu on tarkoitettu käytettäväksi suoraan, kierteittämättömään karaan (varten) pysyvästi kiinnitettyjen laikakarkien (hiomakivien) kanssa.
21. Varmista, että laikka ei kosketa työkappaleeseen, ennen kuin virta on kytketty päälle kytkimestä.
22. Ennen kuin käytät työkalua nimenomaiseen työkappaleeseen, anna sen juosta jonkin aikaa. Varo, ettei se värähtele tai tärisse, joka voi on merkki siitä, että laikka on huonosti asennettu tai tasapainoitettu.
23. Käytä hiontaan siihen tarkoitettua laikan pintaa.
24. Varo kipinöitä. Pidä työkalua niin, että kipinät suuntautuvat pois päin itsestäsi ja muista sekä syttymisherkistä materiaaleista.
25. Älä jätä konetta käymään itseksensä. Käytä laitetta vain silloin, kun pidät sitä kädessä.
26. Älä kosketa työkappaleita heti käytön jälkeen, sillä se saattaa olla erittäin kuuma ja polttaa ihoa.
27. Noudata valmistajan antamia ohjeita laikkojen oikeasta asennuksesta ja käytöstä. Käsittele laikkoja varoen ja säilytä niitä turvallisessa paikassa.
28. Varmista, että työkappale on tukevasti paikoillaan.
29. Jos työtila on erittäin kuumin ja kostea tai siinä esiintyy runsaasti sähköä johtavaa pölyä, varmista turvallisuus käyttämällä vikavirtakatkaisinta (30 mA).
30. Älä hio tai leikkaa työkalulla mitään asbestia sisältäviä materiaaleja.
31. Pidä huoli siitä, että seisot tukevasti. Jos työskentelet korkealla, varmista, ettei ketään ole alapuolella.

SÄILYTÄ NÄMÄ OHJEET.

VAROITUS: ÄLÄ anna työkalun helppo-käyttöisyyden tai toistuvan käytön tuudittaa sinua väärään turvallisuuden tunteeseen niin, että laiminlyöt työkalun turvaohjeiden noudattamisen. **VÄÄRINKÄYTTÖ** tai tämän käyttöohjeen turvameräysten laiminlyönti voi johtaa vakaviin henkilövahinkoihin.

TÄRKEITÄ TURVAOHJEITA

AKKU

1. Ennen akun käyttöönottoa tutustu kaikkiin laturissa (1), akussa (2) ja akkukäyttöisessä tuotteessa (3) oleviin varoisteksteihin.
2. Älä pure akkua.
3. Jos akun toiminta-aika lyhenee merkittävästi, lopeta akun käyttö. Seurauksena voi olla ylikuumeneminen, palovammoja tai jopa räjähdys.
4. Jos akkunestettä pääsee silmiin, huuhtele puhtaalla vedellä ja hakeudu välittömästi lääkärin hoitoon. Akkuneste voi aiheuttaa sokeutumisen. Älä oikosulje akkua.
 - (1) Älä koske akun napoihin millään sähköä johtavalla materiaallilla.
 - (2) Vältä akun oikosulkemista äläkä säilytä akkua yhdessä muiden metalliesineiden, kuten naulojen, kolikoiden ja niin edelleen kanssa.
 - (3) Älä altista akkua vedelle tai sateelle. Akun oikosulku voi aiheuttaa voimakkaan sähkövirran, palovammoja ja jopa laitteen rikkoutumisen.
6. Älä säilytä työkalua ja akkua paikassa, jossa lämpötila voi nousta 50°C:een tai sitäkin korkeammaksi.
7. Älä hävitä akkua polttamalla, vaikka se olisi pahoin vaurioitunut tai täysin loppuun kulunut. Avotuli voi saada akun räjähtämään.
8. Varo kolhimasta tai pudottamasta akkua.
9. Älä käytä viallista akkua.
10. Laitteessa olevia litiumioniakkua ja käsiteltävä vaarallisia aineita koskevien säädösten mukaisesti. Esimerkiksi kolmansien osapuolten tai huolinta-liikkeiden tekemissä kaupallisissa kuljetuksissa on otettava huomioon pakkausta ja pakkausmerkintöjä koskevat erityisvaatimukset, Ennen tuotteen valmistelua lähetystä varten on kysyttävä neuvoa vaarallisten aineiden kuljetuksen asiantuntijalta. Ota huomioon myös mahdolliset maakohtaiset määräykset. Teippaa umpeen tai suoja muulla tavoin akun avonaiselta liittimeltä ja pakkaa akku siten, ettei se pääse liikkumaan pakkauksessa.
11. Hävitä akku paikallisten määräysten mukaisesti.

SÄILYTÄ NÄMÄ OHJEET.

HUOMIO: Käytä ainoastaan aitoja Makita-akkua. Muiden kuin aitojen Makita-akkujen tai akkujen, joihin on tehty muutoksia, käyttäminen voi saada akun räjähtämään, jolloin seurauksena voi olla tulipalo, vamma tai vaurio. Se mitätöi myös Makitan kysymiselle Makita-työkalulle ja -laturille antaman takauksen.

Vihejtä akun käyttöön identifiointiksi

1. Lataa akku ennen kuin se ehtii purkautua kokonaan. Lopeta työkalun käyttö ja lataa akku aina, kun huomaat tehon heikenevän.
2. Älä koskaan lataa täyttä akkua. Yliilataus lyhentää akun käyttöikää.
3. Lataa akku huoneenlämmössä 10°C-40°C. Anna kuumen akun jäähtyä ennen latausta.
4. Lataa akku, jos sitä ei käytetä pitkään aikaan (yli kuuteen kuukauteen).

TOIMINTOJEN KUVAUS

⚠️HUOMIO:

- Varmista aina ennen säätöjä ja tarkastuksia, että työkalu on sammutettu ja akku irrotettu.

Akun asentaminen tai irrottaminen

- Kuva1: 1. Painike 2. Punainen ilmaisin 3. Akku

⚠️HUOMIO:

- Sammuta työkalu aina ennen akun kiinnittämistä tai irrottamista.
- **Pidä työkalusta ja akusta tiukasti kiinni, kun irrotat tai kiinnität akkua.** Jos akku tai työkalu putoaa, ne voivat vaurioitua tai aiheuttaa loukkaantumisen.

Irrota akku painamalla akun etupuolella olevaa painiketta ja vetämällä akku ulos työkalusta.

Kiinnitä akku sovittamalla akun kieleke rungon uraan ja työntämällä akku sitten paikoilleen. Työnnä akku pohjaan asti niin, että kuulet sen napsahdavan paikoilleen. Jos painikkeen yläpuolella näkyy punainen ilmaisin, akku ei ole lukkiutunut täysin paikoilleen.

⚠️HUOMIO:

- Työnnä akku aina pohjaan asti, niin että punainen ilmaisin ei enää näy. Jos akku ei ole kunnolla paikallaan, se voi pudota työkalusta ja aiheuttaa vammoja joko käyttäjälle tai sivullisille.
- Älä käytä voimaa akun asennuksessa. Jos akku ei mene paikalleen helposti, se on väärässä asennossa.

Akun suojausjärjestelmä

Työkalu on varustettu akun suojausjärjestelmällä. Tämä järjestelmä pidentää akun käyttöikää katkaisemalla automaattisesti moottorin virran.

Työkalu voi pysähtyä automaattisesti kesken käytön, jos työkalussa tai akussa ilmenee jokin seuraavista tilanteista:

- Ylikuormitus:
Työkalua käytetään tavalla, joka saa sen kuluttamaan epätavallisen paljon virtaa. Sammuta tällöin työkalu ja lopeta ylikuormitustilan aiheuttanut käyttö. Käynnistä sitten työkalu ja jatka käyttöä.
Jos työkalu ei käynnisty, akku on ylikuormittunut. Anna tällöin akun jäähtyä, ennen kuin käynnistät työkalun uudelleen.

- Alhainen akun jännite:

Akun varaus ei riitä työkalun käyttämiseen. Irrota silloin akku ja lataa se.

HUOMAA: Ylikuormenemissuoja toimii vain, jos akku on merkitty tähtimerkillä.

- Kuva2: 1. Tähtimerkintä

Akun jäljellä olevan varaustason ilmaisin

(Vain akuille, joiden mallinumeron lopussa on kirjain "B".)

- Kuva3: 1. Merkkivalot 2. CHECK-painike

Saat näkyviin akun jäljellä olevan varaustason painamalla akun tarkistuspainiketta. Merkkivalot sytyvät muutaman sekunnin ajaksi.

Merkkivalot				Jäljellä oleva varaustaso
Palaa	OFF	Viilkuu		
				75 - 100 %
				50 - 75 %
				25 - 50 %
				0 - 25 %
				Lataa akku.
				Akussa voi olla toimintahäiriö.

HUOMAA:

- Ilmoitettu varaustaso voi erota hieman todellisesta varaustasosta sen mukaan, millaisissa oloissa ja missä lämpötilassa laitetta käytetään.

Kytkimen käyttäminen

- Kuva4: 1. Liukukytin

⚠️HUOMIO:

- Tarkista aina ennen akun kiinnittämistä työkaluun, että liukukytin kytkeytyy oikein ja palaa OFF-asentoon, kun liukukytimen takaosaa painetaan.
- Kytkimen voi lukita "ON" asentoon, jotta pitkäaikainen käyttö helpottuisi käyttäjälle. Ole varovainen, kun lukitset työkalun "ON" asentoon ja pidä työkalusta luja ote.

Käynnistä työkalu liu'uttamalla liukukytin I-asentoon (ON). Jos haluat koneen käyvän jatkuvasti, lukitse liukukytin painamalla sen etuosaa. Pysäytä työkalu painamalla liukukytimen takaosaa ja liu'uttamalla se O-asentoon (OFF).

MONITOIMINEN MERKKIVALO

► Kuva5: 1. Merkkivalo

Merkkivaloja on kahdessa paikassa.

Merkkivalo vilkkuu nopeassa tahdissa noin sekunnin ajan, kun työkaluun kiinnitetään akku liukukytkimen ollessa "O (OFF)" -asennossa. Jos valo ei vilku kuvulla tavalla, joko akku tai merkkivalo on rikkoutunut.

— Ylikuormasuoja

- Merkkivalo syttyy, jos työkalua kuormitetaan liikaa. Valo sammuu, kun työkalun kuormitusta vähennetään.
- Jos työkalun ylikuormitusta jatketaan ja merkkivalo palaa sammumatta noin kahden sekunnin ajan, hiomakone pysähtyy. Tämä estää moottorin ja sen yhteydessä olevien osien vaurioitumisen.
- Käynnistä työkalu tällaisessa tapauksessa uudelleen siirtämällä liukukytkin ensin "O (OFF)" -asentoon ja sitten "I (ON)" -asentoon.

— Akun vaihtosignaali

- Merkkivalo syttyy, ennen kuin akun varaus heikkenee sellaiseksi, että konetta ei voi enää käyttää.

— Vahinkokäynnistyksen estotoiminto

- Vaikka akku kiinnitettäisiin paikalleen liukukytkimen ollessa "I (ON)" -asennossa, työkalu ei käynnisty. Merkkivalo vilkkuu tällöin hitaassa tahdissa osoituksena vahinkokäynnistyksen estotoiminnosta.
- Käynnistä työkalu tällaisessa tapauksessa siirtämällä liukukytkin ensin "O (OFF)" -asentoon ja sitten "I (ON)" -asentoon.

KOKOONPANO

▲HUOMIO:

- Varmista aina ennen mitään työkalulle tehtäviä toimenpiteitä, että se on sammutettu ja akku irrotettu.

Karalaikan kiinnitys ja irrotus

- Kuva6: 1. Kiintoavain 13 2. Karalaikka
3. Kiristysholkin mutteri 4. Kiintoavain 13

Löysää kiristysholkkia ja työnnä karalaikka holkkiin. Pidä karaa paikoillaan yhdellä kiintoavaimella ja kiristä holkki toisella.

Laikan etäisyys kiristysholkista saa olla enintään 10 mm. Tätä suurempi etäisyys voi aiheuttaa värinöitä tai akselin katkeamisen.

► Kuva7

Karalaikka irrotetaan päinvastaisessa järjestyksessä.

▲HUOMIO:

- Käytä oikean kokoista kiristysholkkia käytettävän karalaikan mukaan.

TYÖSKENTELY

► Kuva8

Käynnistä kone ilman, että karalaikka koskettaa työkalupäähän, ja odota, kunnes karalaikka saavuttaa suurimman käyntinopeutensa. Vie karalaikan kärki työkalupäähän varovasti. Paras hiomajälki saadaan, kun konetta vedetään hitaasti vasemmalle.

▲HUOMIO:

- Paina konetta kevyesti työkalupäätä vasten. Liiallinen paine heikentää hiomajälkeä ja johtaa moottorin ylikuormitukseen.

KUNNOSSAPITO

▲HUOMIO:

- Varmista aina ennen tarkastusta tai huoltoa, että työkalu on sammutettu ja akku irrotettu.
- Älä koskaan käytä bensiiniä, ohentimia, alkoholia tai tms. aineita. Muutoin pinta voi halkeilla tai sen värit ja muoto voivat muuttua.

Hiiliharjojen vaihtaminen

► Kuva9: 1. Rajamerkki

Irrota ja tarkista hiiliharjat säännöllisesti. Vaihda uusiin, kun ne ovat kuluneet rajamerkkiin saakka. Pidä hiiliharjat puhtaina ja vapaina liukumaan pitimissään. Molemmat hiiliharjat on vaihdettava samalla kertaa. Käytä vain keskenään samanlaisia hiiliharjoja.

► Kuva10: 1. Pidikkeen kuvun suojuus 2. Ruuvitaltta

Aseta ruuvitaltan kärki koneessa olevaan koloon ja nosta pidikkeen kuvun suojuus auki.

► Kuva11: 1. Harjanpitimen kansi 2. Ruuvitaltta

Irrota hiiliharjat kannet ruuvitaltalla. Poista kuluneet hiiliharjat, aseta uudet harjahielet paikalleen ja kiinnitä hiiliharjojen kansi paikalleen.

Aseta pidikkeen kuvun suojuus takaisin paikalleen. Koneen TURVALLISUUDEN ja LUOTETTAVUUDEN säilyttämiseksi korjaukset sekä muut huoltotoimet ja säädöt on jätettävä Makitan valtuuttaman huollon tehtäväksi käyttäen aina Makitan alkuperäisiä varaosia.

LISÄVARUSTEET

▲HUOMIO:

- Näitä lisävarusteita ja -laitteita suositellaan käytettäväksi tässä ohjekirjassa mainitun Makitan koneen kanssa. Minkä tahansa muun lisävarusteen tai -laitteen käyttäminen voi aiheuttaa loukkaantumisaarua. Käytä lisävarusteita ja -laitteita vain niiden käyttötaroituksen mukaisesti.

Jos tarvitset apua tai yksityiskohtaisempia tietoja seuraavista lisävarusteista, ota yhteys paikalliseen Makitan huoltoon.

Sivukahva (lisävaruste)

- ▶ Kuva12
- ▶ Kuva13
- ▶ Kuva14
- ▶ Kuva15

Jos käytät sivukahvaa, irrota kumisuojus, työnnä sivukahva istukkaan niin syväälle kuin se menee, ja käännä kahva haluttuun kulmaan. Kiristä sitten kahva lujasti kääntämällä sitä myötäpäivään.

HUOMIO:

- Jos käytät työkalua ilman kahvaa, pidä kumisuojus aina paikoillaan.
- Kun kiinnität kumisuojusta, sovita se työkaluun siten, että suojuksen yläreunan pyöreä syvennys tulee kytkimen kohdalle.

- Karalaitat
- Kiristysholkki (3 mm, 6 mm, 8 mm, 1/4", 1/8")
- Kiristysholkin mutteri
- Kiintoavain 13
- Sivukahvasarja
- Aito Makitan akku ja laturi

HUOMAA:

- Jotkin luettelossa mainitut varusteet voivat sisältyä työkalun toimitukseen vakiovarusteina. Ne voivat vaihdella maittain.

SPECIFIKĀCIJAS

Modelis	DGD800	DGD801
Ietvara ietilpība	6 mm vai 6,35 mm (1/4")	
Maks. slīpēšanas uzgaļa diametrs	36 mm	
Maks. balstieliktna (kājiņas) garums	46 mm	
Tukšgaitas ātrums (n_0) / nominālais ātrums (n)	26 000 (min ⁻¹)	
Kopējais garums	402 mm	307 mm
Neto svars	2,0 kg	1,7 kg
Nominālais spriegums	Līdzstrāva 18 V	

- Dēļ mūsu nepārtrauktās pētniecības un izstrādes programmas, šeit dotās specifikācijas var mainīties bez brīdinājuma.
- Specifikācijas un akumulatora kasetne dažādās valstīs var atšķirties.
- Svars ar akumulatora kasetni atbilstošs EPTA procedūrai 01/2003

Paredzētā lietošana

Šis darbarīks ir paredzēts dzelzs materiālu slīpēšanai vai lējumu izlīdzināšanai.

Troksnis

Tipiskais A-svērtais trokšņa līmenis ir noteikts saskaņā ar EN60745:

Skaņas spiediena līmenis (L_{pA}): 72 dB (A)

Neskaidrība (K): 3 dB (A)

Darbības laikā trokšņa līmenis var pārsniegt 80 dB (A).

Lietojiet ausu aizsargus**Vibrācija**

Vibrācijas kopējā vērtība (trīs asu vektora summa) noteikta saskaņā ar EN60745:

Modelis DGD800

Darba režīms: virsmas slīpēšana

Vibrācijas emisija ($a_{h,SG}$): 6,5 m/s²

Neskaidrība (K): 1,5 m/s²

Modelis DGD801

Darba režīms: virsmas slīpēšana

Vibrācijas emisija ($a_{h,SG}$): 2,5 m/s² vai mazāk

Neskaidrība (K): 1,5 m/s²

PIEZĪME: Paziņotā vibrācijas emisijas vērtība noteikta atbilstoši standarta pārbaudes metodei un to var izmantot, lai salīdzinātu vienu darbarīku ar citu.

PIEZĪME: Paziņoto vibrācijas emisijas vērtību arī var izmantot iedarbības sākotnējā novērtējumā.

▲BRĪDINĀJUMS: Reāli lietojot mehānizēto darbarīku, vibrācijas emisija var atšķirties no paziņotās emisijas vērtības atkarībā no darbarīka izmantošanas veida.

▲BRĪDINĀJUMS: Lai aizsargātu lietotāju, nosakiet drošības pasākumus, kas pamatoti ar iedarbību reālos darba apstākļos (ņemot vērā visus ekspluatācijas cikla posmus, piemēram, laiku, kamēr darbarīks ir izslēgts un kad darbojas tukšgaitā, kā arī palaides laiku).

Tikai Eiropas valstīm**EK Atbilstības deklarācija****Makita paziņo, ka šāds instruments(-i):**

Instrumenta nosaukums:

Bezvadu štancēšanas slīpmašīna

Modeļa Nr./veids: DGD800, DGD801

Atbilst sekojošām Eiropas Direktīvām:

2006/42/EC

Ražots saskaņā ar šādu standartu vai normatīvajiem dokumentiem:

EN60745

Tehniskā lieta atbilstīgi 2006/42/EK ir pieejama:

Makita, Jan-Baptist Vinkstraat 2, 3070, Beļģija

10.11.2015



Yasushi Fukaya

Direktors

Makita, Jan-Baptist Vinkstraat 2, 3070, Beļģija

Vispārējie mehānizēto darbarīku drošības brīdinājumi

▲BRĪDINĀJUMS Izlasiet visus drošības brīdinājumus un visus norādījumus. Brīdinājumu un norādījumu neievērošanas gadījumā var rasties elektriskās strāvas trieciens, ugunsgrēks un/vai nopietnas traumas.

Glabājiet visus brīdinājumus un norādījumus, lai varētu tajos ieskatīties turpmāk.

DROŠĪBAS BRĪDINĀJUMI BEZVADU ŠTANCĒŠANAS SLĪPMAŠĪNAS LIETOŠANAI

Vispārīgi drošības brīdinājumi attiecībā uz slīpēšanas darbu:

1. Šo mehānizēto darbarīku paredzēts lietot kā slīpmašīnu. Izlasiet visus drošības brīdinājumus, norādījumus, attēlus un tehnikas datus, kas atrodas šī mehānizētā darbarīka komplektācijā. Ja netiek ievēroti visi turpmāk redzamie noteikumi, var saņemt elektriskās strāvas triecienu, izraisīt ugunsgrēku un/vai gūt nopietnu ievainojumu.
2. Ar šo mehānizēto darbarīku nav ieteicams veikt smalku slīpēšanu, apstrādi ar stipļu sukām, pulēšanu un nogriešanu. Veicot darbības, kam šis mehānizētais darbarīks nav paredzēts, var rasties bīstami apstākļi un gūt ievainojumus.
3. Lietojiet tikai darbarīka ražotāja īpaši izgatavotos un ieteiktos piederumus. Kaut arī piederumu ir iespējams piestiprināt pie darbarīka, tā lietošana nav droša.
4. Piederuma nominālajam ātrumam jābūt vismaz vienādam ar maksimālo ātrumam, kas atzīmēts uz mehānizētā darbarīka. Piederumi, kas kustas ātrāk par nominālo ātrumu, var salūzt un nolidot nost.
5. Piederuma ārējam diametram un biežumam jāatbilst mehānizētā darbarīka jaudas aprēķinam. Nepareiza izmēra piederumus nevar atbilstoši vadīt.
6. Piederumu vārpstas lielumam jābūt atbilstošam mehānizētā darbarīka ietvaram. Piederumi, kas neatbilst mehānizētā darbarīka montāžas aparatūrai, ir nestabili, pārmērīgi vibrē un var izraisīt kontroles zaudēšanu.
7. Ar balstieliktniem piestiprinātus piederumus pilnībā jāievieto ietvarā vai spļipatronā. Ja balstieliktnis nav pietiekami nostiprināts un/vai ripa ir pārāk tālu pārkārusies, piestiprinātais piederums var kļūt vaļīgs un to var lielā ātrumā izmest gaisā.
8. Nedrīkst lietot bojātu piederumu. Pirms katras ekspluatācijas reizes pārbaudiet piederumus, piemēram, vai abrazīvās ripas nav skaidu un plaisu. Ja mehānizētais darbarīks vai piederums ticis nomests, pārbaudiet, vai nav bojājumu, vai piestipriniet nebojātu piederumu. Kad pārbaude ir veikta un piederums ir piestiprināts, gan jums, gan apkārtējām personām jāstāv drošā attālumā no piederuma rotēšanas zonas, bet mehānizētais darbarīks vienu minūti jādarbina maksimālajā ātrumā bez noslodzes. Bojāti piederumi šajā pārbaudes laikā parasti salūzt.
9. Valkājiet personīgo aizsargaprīkojumu. Atkarībā no veicamā darba valkājiet sejas aizsargu, aizsargbrilles vai brilles. Ja vajadzīgs, valkājiet putekļu masku, ausu aizsargus, cimdus un darba priekšautu, kas aiztur mazas abrazīvas vai materiāla daļiņas. Acu aizsardzības aprīkojumam jāaiztur lidojošos netīrumus, kas rodas dažādu darbu veikšanas laikā. Putekļu maskas vai respiratora filtram jāaiztur darba laikā radušās daļiņas. Ilgstoša ļoti intensīva trokšņa iedarbībā varat zaudēt dzirdi.
10. Uzmaniet, lai apkārtējās personas atrastos drošā attālumā no darba vietas. Ikvienam, kas atrodas darba vietā, jāvalkā personīgais aizsargaprīkojums. Apstrādājamā materiāla vai bojāta piederuma daļiņas var aizlidot un izraisīt ievainojumus tiem, kas atrodas darba vietas tuvumā.
11. Veicot darbību, kuras laikā griezējinstrumentus var pieskarties slēptam vadam, mehānizēto darbarīku turiet tikai aiz izlētām virsmām. Saskare ar vadu zem sprieguma var nodot spriegumu mehānizētā darbarīka metāla daļām, un operators var saņemt elektriskās strāvas triecienu.
12. Iedarbināšanas laikā vienmēr turiet darbarīku stingri savās rokās. Motora reakcijas griezes moments, tam sasniedzot pilnu ātrumu, var likt darbarīkam sagriezties.
13. Kad iespējams, apstrādājamā materiāla atbalsim izmantojiet skavas. Izņemot darbarīku, nekad neturiet apstrādājamo materiālu vienā rokā un darbarīku otrā. Maza apstrādājamā materiāla nostiprināšana ļauj izmantot rokas, lai kontrolētu darbarīku. Griežot apaļu materiālu, piemēram, tapas, caurules vai cauruļvadus, tiem ir tendence velties, un tas var izraisīt uzgaļa iestrēgšanu vai izviesienu lietotāja virzienā.
14. Mehānizēto darbarīku nedrīkst nolikt malā, līdz piederums nav pilnībā pārstājis darboties. Rotējošais piederums var satvert vīrsu un izraut mehānizēto darbarīku jums no rokām.
15. Pēc uzgaļa nomaiņas vai regulēšanas pārbaudiet, vai ietvara uzgrieznis, spļipatrons vai citas regulēšanas ierīces ir cieši pieskrūvētas. Vaļīgas regulēšanas ierīces var negaidīti pārvietoties, izraisot kontroles zudumu, bet vaļīgas daļas tiks spēcīgi izviesītas.
16. Mehānizēto darbarīku nedrīkst darbināt, kad pārnēsājat to virzienā pret sevi. Ja apgērbis nejauši pieskaras rotējošajam piederumam, tas var tikt satverts, piederumu ievēlko jūsu ķermenī.
17. Regulāri tīriet mehānizētā darbarīka gaisa ventīļus. Motora ventilators ievēlko putekļus korpusā un pārmērīga pulverveida metāla uzkrāšanās var izraisīt elektrības sistēmas bojājumus.
18. Mehānizēto darbarīku nedrīkst darbināt viegli uzliesmojošu materiālu tuvumā. Dzirsksteles var aizdedzināt šos materiālus.
19. Nelietojiet tādus piederumus, kam vajadzīgi dzesēšanas šķidrums. Lietojot ūdeni vai citus dzesēšanas šķidrums, var gūt nāvējošu triecienu vai elektriskās strāvas triecienu.

Atsitiens un ar to saistīti brīdinājumi

Atsitiens ir pēkšņa reakcija uz iesprūdušu vai aizķērušos rotējošu piederumu. Iesprūšana vai aizķeršanās izraisa pēkšņu rotējošā piederuma apstāšanos, kas, savukārt, izraisa nekontrolētu mehānizētā darbarīka grūdienu pretēji piederuma rotācijas virzienam. Piemēram, ja abrazīvā ripa tiek iespiesta vai aizķeras apstrādājamā materiālā, ripas mala, kas tiek ievadīta iesprūšanas brīdī, var ieurbties materiāla virsmā, liekot ripai izkļūt no tā vai izraisot atsitienu. Ripas saskares brīdī var izlekt operatora virzienā vai prom no viņa, atkarībā no ripas kustības virziena iesprūšanas brīdī. Abrazīvās ripas šādos apstākļos var arī salūzt. Atsitiens rodas darbarīka nepareizas lietošanas un/vai nepareizas darbības vai apstākļu rezultātā, un no tā var izvairīties, veicot piemērotus drošības pasākumus, kā norādīts zemāk.

a) Saglabājiet mehānizētā darbarīka cieto tvērienu un novietojiet ķermeni un rokas tā, lai prototos atsitienu spēkam. Operators var kontrolēt atsitienu spēku, ja veic piemērotus piesardzības pasākumus.

b) Īpaši uzmanieties apstrādājot stūrus, asas malas u. c. Nepieļaujiet piederuma atlekšanu un aizķeršanos. Stūri, asas malas vai atlekšana parasti izraisa rotējošā piederuma aizķeršanos un var radīt kontroles zaudēšanu vai atsitienu.

c) Nepievienojiet zobaino zāga asmeni. Šādi asmeņi izraisa biežus atsitienu un kontroles zaudēšanu.

d) Vienmēr virziet uzgali materiālā tādā pašā virzienā kādā griešanas mala izvirzās no materiāla (t. i., tajā pašā virzienā, kurā izlec skaidas). Ja darbarīku virza nepareizā virzienā, uzgaļa griešanas mala var iznākt no apstrādājamā materiāla un pavilkt darbarīku uzgaļa virzīšanas virzienā.

Īpaši drošības brīdinājumi attiecībā uz slīpēšanu:

a) Izmantojiet tikai tādas ripas, kas ieteiktas šim mehānizētajam darbarīkam un tikai ieteiktajam pielietojumam.

Papildu drošības brīdinājumi:

20. Darbarīku ir paredzēts izmantot ar abrazīviem slīpēšanas uzgaļiem (slīpēšanas akmeņiem), kas ir nenogemami piestiprināti pie gludiem balstieliktniem (kājiņām) bez vītnes.
21. Pārliecinieties, ka slīpripa nepieš apstrādājama virsmai pirms slēdzā ieslēgšanas.
22. Pirms īsta materiāla apstrādāšanas darbiniet darbarīku kādu brīdi tukšgaitā. Pievērsiet uzmanību tam, vai nav novērojama vibrācija vai svārstīšanās, kas varētu norādīt uz nekvalitatīvu uzstādīšanu vai nepareizi līdzsvarotu ripu.
23. Lai veiktu slīpēšanu, izmantojiet tam paredzēto slīpripas virsmu.
24. Sargieties no dzirkstelēm. Turiet darbarīku tā, lai novirzītu dzirksteles cilvēkiem un viegli uzliesmojošiem materiāliem pretējā virzienā.
25. Neatstājiet ieslēgtu darbarīku. Darbiniet darbarīku vienīgi tad, ja turat to rokās.
26. Neskarieties pie apstrādājamas detaļas tūlīt pēc darba izpildes; tā var būt ārkārtīgi karsta un var apdedzināt ādu.
27. Ievērojiet ražotāja norādījumus slīpripu pareizai montāžai un lietošanai. Apejieties ar slīpripām uzmanīgi un uzglabājiet tās saudzīgi.
28. Pārbaudiet, vai apstrādājamā detaļa ir pienācīgi atbalstīta.
29. Ja darba vietā ir augsta temperatūra un liels mitrums, vai tā ir stipri piesārņota ar vadītspējīgiem putekļiem, izmantojiet īssavienojuma pārtraucēju (30 mA), lai garantētu operatora drošību.
30. Neizmantojiet instrumentu darbam ar jebkādiem materiāliem, kuri satur azbestu.
31. Vienmēr nodrošiniet stabilu pamatu kājām. Ja lietojat darbarīku augstumā, pārliecinieties, vai apakšā neviena nav.

**SAGLABĀJIET ŠOS
NORĀDĪJUMUS.**

▲BRĪDINĀJUMS: NEZAUDĒJIET modrību darbarīka lietošanas laikā (tas var gadīties pēc darbarīka daudzkārtējas izmantošanas), rūpīgi ievērojiet urbšanas drošības noteikumus šim izstrādājumam. **NEPAREIZAS LIETOŠANAS** vai šīs rokasgrāmatas drošības noteikumu neievērošanas gadījumā var gūt smagas traumas.

SVARĪGI DROŠĪBAS NOTEIKUMI

AKUMULATORA LIETOŠANAI

1. Pirms akumulatora lietošanas izlasiet visus norādījumus un brīdinājumus, kuri attiecas uz (1) akumulatora lādētāju, (2) akumulatoru un (3) ierīci, kurā tiek izmantots akumulators.
2. Neizjauciet akumulatoru.
3. Ja akumulatora darbības laiks kļūva ievērojami īsāks, nekavējoties pārtrauciet to izmantot. Citādi, tas var izraisīt pārkarsējumu, uzliesmojumu vai pat sprādzienu.
4. Ja elektrolīts nonāk acīs, izskalojiet tās ar tīru ūdens un nekavējoties griezties pie ārsta. Tas var izraisīt redzes zaudēšanu.
5. Neradiet īssavienojumu akumulatora kasetnē:
 - (1) Neskarieties pie termināliem ar jebkāda veida vadītspējīgiem materiāliem.
 - (2) Neuzglabājiet akumulatoru kasetni kopā ar citiem metāla priekšmetiem, tādiem kā naglas, monētas u.c.
 - (3) Nepakļaujiet akumulatora kasetni ūdens vai lietus iedarbībai.Īssavienojums var radīt lielu strāvas plūsmu, pārkarsānu, var radīt apdegumus vai pat bojājumus.
6. Neuzglabājiet darbarīku un akumulatora kasetni vietās, kur temperatūra var sasniegt vai pārsniegt 50°C (122°F).
7. Nedeziniet akumulatora kasetni, pat ja tā ir stipri bojāta vai pilnībā nolietota. Akumulatora kasetne uguni var eksplodēt.
8. Uzmanieties, lai neļautu akumulatoram nokrist un nepakļautu to sītienu.
9. Neizmantojiet bojātu akumulatoru.
10. Uz iekļauto litiņa jonu akumulatoru attiecas tiesību aktu prasības par bīstamo kravu pārvadājumiem.

Komerčiāliem pārvadājumiem, kurus veic, piemēram, trešās personas, ekspeditori, jāievēro īpašas prasības par iepakojumu un marķējumu. Gatavojot precī pārvadāšanai, nepieciešams konsultēties ar speciālistu bīstamo materiālu jautājumos. Nepieciešams ievērot arī iespējami sīkāk izklāstītus valsts tiesību aktus.

Aplīmējiet vai apsedziet atvērtus kontaktus un akumulatoru iepakojiet tā, lai tas nepārvietojas pa iepakojumu.
11. Ievērojiet vietējos noteikumus par akumulatora likvidēšanu.

**SAGLABĀJIET ŠOS
NORĀDĪJUMUS.**

⚠UZMANĪBU! Izmantojiet tikai oriģinālos Makita akumulatorus.

Neoriģinālu Makita akumulatoru vai pārveidotu akumulatoru izmantošana var izraisīt akumulatoru uzsprāgšanu, kā rezultātā var rasties ugunsgrēki, miesas un citi bojājumi. Šāda rīcība anulēs arī Makita darbarīka un lādētāja garantiju.

Ieteikumi akumulatora kalpošanas laika pagarināšanai

1. Uzlādējiet akumulatora kasetni pirms tā pilnīgi izlādējas.
Vienmēr, kad ievērojāt, ka darbarīka darba jauda zudusi, apturiet darbarīku un uzlādējiet akumulatora kasetni.
2. Nekad neuzlādējiet pilnībā uzlādētu akumulatora kasetni.
Pārmērīga uzlāde saīsina akumulatora kalpošanas laiku.
3. Uzlādējiet akumulatora kasetni istabas temperatūrā 10°C - 40°C (50°F - 104°F). Karstai akumulatora kasetnei pirms uzlādes ļaujiet atdzist.
4. Uzlādējiet akumulatora kasetni, ja to neizmantojat ilgu laiku (vairāk nekā sešus mēnešus).

FUNKCIJU APRAKSTS

⚠UZMANĪBU:

- Pirms darbarīka regulēšanas vai tā darbības pārbaudes vienmēr pārliecinieties, ka darbarīks ir izslēgts un akumulatora kasetne ir izņemta.

Akumulatora kasetnes uzstādīšana un izņemšana

- **Att.1:** 1. Poga 2. Sarkans indikators 3. Akumulatora kasetne

⚠UZMANĪBU:

- Vienmēr pirms akumulatora kasetnes uzstādīšanas vai noņemšanas izslēdziet darbarīku.
- **Uzstādot vai izņemot akumulatora kasetni, darbarīku un akumulatora kasetni turiet cieši.** Ja darbarīku un akumulatora kasetni netur cieši, tie var izkrist no rokām un radīt bojājumus darbarīkam un akumulatora kasetnei, kā arī izraisīt ievainojumus.

Lai izņemtu akumulatora kasetni, izvelciet to no darbarīka, pārbīdot kasetnes priekšpusē esošo pogu. Lai uzstādītu akumulatora kasetni, salāgojiet mēlīti uz akumulatora kasetnes ar rievu ietvarā un iebīdīet to vietā. Bīdīet to iekšā līdz klikšķim, kas nozīmē, ka tā ir pareizi uzstādīta. Ja pogas augšējā daļā ir redzams sarkans indikators, tas nozīmē, ka tā nav pilnīgi bloķēta.

⚠UZMANĪBU:

- Vienmēr ievietojiet akumulatora kasetni tā, lai sarkanais indikators nebūtu redzams. Pretējā gadījumā tā var nejauši izkrist no darbarīka un radīt jums vai apkārtējiem ievainojumu.
- Neievietojiet akumulatora kasetni ar spēku. Ja kasetne neslīd ietvarā viegli, tā nav pareizi ielikta.

Akumulatora aizsardzības sistēma

Darbarīks ir aprīkots ar akumulatora aizsardzības sistēmu. Šī sistēma automātiski izslēdz jaudas padevi motoram, lai pagarinātu akumulatora kalpošanas laiku. Darbarīks automātiski pārstās darboties ekspluatācijas laikā, ja darbarīku un/vai akumulatoru pakļaus kādam no šiem apstākļiem:

- Pārslodze:
Darbarīku ekspluatācijas laikā lieto tādā veidā, ka tas saista pārmērīgu strāvu. Šādā gadījumā izslēdziet darbarīku un pārtrauciet darbību, kas izraisīja darbarīka pārslodzi. Ieslēdziet darbarīku, lai atsāktu darbu.
Ja darbarīks nesāk darboties, akumulators ir pārkaršis. Šādā gadījumā ļaujiet akumulatoram atdzist, pirms vēlreiz ieslēgt darbarīku.
- Zema akumulatora jauda:
Akumulatora atlikusī jauda ir pārāk zema, un darbarīks nedarbosies. Šādā gadījumā akumulatoru noņemiet un veiciet tam uzlādi.

PIEZĪME: Aizsardzība pret pārkaršanu darbojas tikai ar akumulatoru, kam ir zvaigznes marķējums.

► **Att.2:** 1. Zvaigznes emblēma

Atlikušās akumulatora jaudas indikators

(Tikai akumulatora kasetnēm ar "B" burtu modeļa numura beigās.)

► **Att.3:** 1. Indikatora lampiņas 2. Poga CHECK

Nospiediet pārbaudes pogu uz akumulatora kasetnes, lai pārbaudītu akumulatora atlikušo jaudu. Indikatora lampas izgaismosies dažas sekundes.

Indikatora lampiņas			Atlikusī jauda
Deg	OFF (izslēgts)	Mirgo	
■ ■ ■ ■ ■			75 % - 100 %
■ ■ ■ ■ □			50 % - 75 %
■ ■ □ □ □			25 % - 50 %
■ □ □ □ □			0 % - 25 %
▣ □ □ □ □			Uzlādējiet akumulatoru.
■ ■ □ □ □			Akumulators, iespējams, ir bojāts.
□ □ □ ■ ■			

PIEZĪME:

- Reālā jauda var nedaudz atšķirties no norādītās atkarībā no lietošanas apstākļiem un apkārtējās temperatūras.

Slēdža darbība

► **Att.4:** 1. Slīdslēdzis

⚠ UZMANĪBU:

- Pirms akumulatora kasetnes uzstādīšanas darbarīkā, vienmēr pārbaudiet, vai slīdslēdzis darbojas pareizi un atgriežas "OFF" (izslēgts) stāvoklī, kad tā aizmugurējā daļa tiek nospiesta.
- Slēdzi var ieslēgt "ON" (ieslēgts) stāvoklī, lai atvieglotu operatora darbu ilgstoša darba laikā. Esiet uzmanīgi, ieslēdzot darbarīku "ON" (ieslēgts) stāvoklī, un turpiniet cieši turēt darbarīku.

Lai iedarbinātu darbarīku, pārvietojiet slīdslēdzi "I (ON)" (ieslēgts) pozīcijas virzienā. Lai darbarīks darbotos nepārtraukti, nospiediet slīdslēdža priekšējo daļu, lai to nobloķētu.

Lai apturētu darbarīku, nospiediet slīdslēdža aizmugurējā daļu un pārvietojiet to "O (OFF)" (izslēgts) pozīcijas virzienā.

Daudzfunkciju indikatora lampiņa

► **Att.5:** 1. Indikatora lampiņa

Indikatora lampiņas atrodas divos stāvokļos.

Kad akumulatora kasetne ir ievietota darbarīkā, slīdslēdzim esot "O (OFF)" (izslēgts) stāvoklī, indikatora lampiņa apmēram vienu sekundi ātri nomirgo. Ja tā nemirgo, akumulatora kasetne vai indikatora lampiņa ir bojāta.

— **Aizsardzība pret pārslodzi**

- Ja darbarīkam rodas pārslodze, izgaismojās indikatora lampiņa. Kad darbarīka slodzi samazina, lampiņa izdziest.
- Ja darbarīks joprojām ir pārslogots un indikatora lampiņa turpina mirgot apmēram 2 sekundes, darbarīks pārstāj darboties. Šādi motors un tā mehānisma detaļas tiek pasargātas no bojājumiem.
- Šajā gadījumā, lai vēlreiz iedarbinātu darbarīku, vienu reizi pārvietojiet slīdslēdzi "O (OFF)" (izslēgts) stāvoklī, un tad - "I (ON)" (ieslēgts) stāvoklī.

— **Akumulatora kasetnes nomaiņas signāls**

- Kad atlikusī akumulatora jauda ir neliela, ekspluatācijas laikā izgaismojās indikatora lampiņa pirms izlietota visa akumulatora jauda.

— **Nejaušas atkārtotas iedarbināšanas novēršanas funkcija**

- Pat ja akumulatora kasetne ir ievietota darbarīkā, slīdslēdzim esot "I (ON)" (ieslēgts) stāvoklī, darbarīks nesāk darboties. Šajā laikā lampiņa mirgo lēnām, kas norāda uz to, ka darbojas nejaušas atkārtotas iedarbināšanas novēršanas funkcija.
- Lai iedarbinātu darbarīku, pārvietojiet slīdslēdzi "O (OFF)" (izslēgts) stāvoklī, un tad - "I (ON)" (ieslēgts) stāvoklī.

MONTĀŽA

⚠ UZMANĪBU:

- Pirms darbarīka regulēšanas vai apkopes vienmēr pārliecinieties, ka darbarīks ir izslēgts un akumulatora kasetne ir izņemta.

Slīpēšanas uzgaļa uzstādīšana un noņemšana

► **Att.6:** 1. Uzgriežņu atslēga 13 2. Slīpēšanas uzgalis 3. Ietvara uzgrieznis 4. Uzgriežņu atslēga 13

Atskrūvējiet ietvara uzgriezni un ievietojiet slīpēšanas uzgali tajā. Lai turētu vārpstu, izmantojiet vienu uzgriežņu atslēgu, bet otru izmantojiet, lai cieši pieskrūvētu uzgriezni. Slīpēšanas uzgali nedrīkst pievienot tālāk par 10 mm no ietvara uzgriežņa. Šī atatluma pārsniegšana var izraisīt vibrāciju vai salauzt vārpstu.

► **Att.7**

Lai noņemtu slīpēšanas uzgali, izpildiet augstāk aprakstīto uzstādīšanas procedūru apgrieztā secībā.

⚠ UZMANĪBU:

- Slīpēšanas uzgalim, ko izmantojat, uzstādiet pareizi izmēra ietvara konusu.

EKSPLUATĀCIJA

► Att.8

Ieslēdziet darbarīku, slīpēšanas uzgalim neskarot apstrādājamo materiālu, un nogaidiet, kamēr slīpēšanas uzgalis darbojas ar pilnu jaudu. Pēc tam slīpēšanas uzgali uzmanīgi pietuviniet apstrādājamam materiālam. Lai iegūtu labu darba rezultātu, virziet darbarīku lēnām pa kreisi.

▲UZMANĪBU:

- Nedaudz uzspiediet uz darbarīka. Pārmērīgs spiediens var tikai pasliktināt iegūto rezultātu un radīt pārslodzi motoram.

APKOPE

▲UZMANĪBU:

- Pirms darbarīka pārbaudes vai apkopes vienmēr pārliecinieties, ka darbarīks ir izslēgts un akumulatora kasetne ir izņemta.
- Nekad neizmantojiet gazoļīnu, benzīnu, atšķaidītāju, spirtu vai līdzīgus šķidrumus. Tas var radīt izbalēšanu, deformāciju vai plaisas.

Ogles suku nomaīņa

► Att.9: 1. Robežas atzīme

Regulāri izņemiet un pārbaudiet ogles suku. Kad ogles suku ir nolietojušās līdz robežas atzīmei, nomainiet tās. Turiet ogles suku tīras un pārbaudiet, vai tās var brīvi ieiet turekļos. Abas ogles suku ir jānomaina vienlaikus. Izmantojiet tikai identiskas ogles suku.

► **Att.10: 1.** Turekļa vāka aizsargs **2.** Skrūvgriezis
Ievietojiet rievās uzgaļa skrūvgrieža augšgalu darbarīka ierobā un noņemiet turekļa vāka aizsargu, paceļot to uz augšu.

► **Att.11: 1.** Sukas turekļa vāks **2.** Skrūvgriezis
Noņemiet suku turekļa vāciņus ar skrūvgrieža palīdzību. Izņemiet nolietojušās ogles suku, ievietojiet jaunas un nostipriniet suku turekļa vāciņus. Uzlieciet turekļa vāka aizsargu atpakaļ uz darbarīka. Lai saglabātu produkta DROŠU un UZTICAMU darbību, remontdarbus, apkopi un regulēšanu uzticiet veikt tikai Makita pilnvarotam apkopes centram un vienmēr izmantojiet tikai Makita rezerves daļas.

PAPILDU PIEDERUMI

▲UZMANĪBU:

- Šādi piederumi un rīki tiek ieteikti lietošanai ar šajā pamācībā aprakstīto Makita instrumentu. Jebkādu citu piederumu un rīku izmantošana var radīt traumu briesmas. Piederumu vai rīku izmantojiet tikai tā paredzētajam mērķim.

Ja jums vajadzīga palīdzība vai precīzāka informācija par šiem piederumiem, vērsieties savā tuvākajā Makita apkopes centrā.

Sānu rokturis (piederums)

► Att.12

► Att.13

► Att.14

► Att.15

Izmantojot sānu rokturi, noņemiet gumijas aizsargu, darbarīka korpusā līdz galam ievietojiet sānu rokturi, un pagrieziet to līdz vēlamajam leņķim. Tad cieši nostipriniet rokturi, pagriežot to pulksteņrādītāja virzienā.

▲UZMANĪBU:

- Izmantojot darbarīku bez roktura, vienmēr uz tā uzstādiet gumijas aizsargu.
- Uzstādot gumijas aizsargu, uz darbarīka to uzlieciet tā, lai augšējais gumijas noapaļotais padziļinājums atrodas slēdža tuvumā.

- Slīpēšanas uzgali
- Ietvara konuss (3 mm, 6 mm, 8 mm, 1/4 collas, 1/8 collas)
- Ietvara uzgrieznis
- Uzgriežņu atslēga 13
- Sānu roktura komplekts
- Makita oriģinālais akumulators un lādētājs

PIEZĪME:

- Daži sarakstā norādītie izstrādājumi var būt iekļauti instrumenta komplektācijā kā standarta piederumi. Tie dažādās valstīs var būt atšķirīgi.

SPECIFIKACIJOS

Modelis	DGD800	DGD801
Ávorės dydis	6 mm arba 6,35 mm (1/4")	
Maks. rato galo skersmuo	36 mm	
Maks. prakalo (jungiamosios dalies) ilgis	46 mm	
Greitis be apkrovos (n_0) / nominalusis greitis (n)	26 000 (min ⁻¹)	
Bendras ilgis	402 mm	307 mm
Neto svoris	2,0 kg	1,7 kg
Nominali įtampa	Nuol. sr. 18 V	

- Atliekame nepertraukiamus tyrimus ir nuolatos tobuliname savo gaminius, todėl čia pateikiamos specifikacijos gali būti keičiamos be įspėjimo.
- Specifikacijos ir akumuliatorių kasetės įvairiose šalyse gali skirtis.
- Svoris su akumuliatoriaus kasete pagal Europos elektrinių įrankių asociacijos metodiką „EPTA-Procedure 01/2003“

Paskirtis

Šis įrankis skirtas geležies medžiagoms šlifuoti arba išlajoms šalinti.

Triukšmas

Tipiškas A svertinis triukšmo lygis nustatytas pagal EN60745:

Garso slėgio lygis (L_{pA}): 72 dB (A)

Paklaida (K): 3 dB (A)

Dirbant triukšmo lygis gali viršyti 80 dB (A).

Dėvėkite ausų apsaugas**Vibracija**

Vibracijos bendroji vertė (trijų ašių vektorinė suma) nustatyta pagal EN60745:

Modelis DGD800

Darbo režimas: paviršiaus šlifavimas

Vibracijos emisija ($a_{h,SG}$): 6,5 m/s²

Paklaida (K): 1,5 m/s²

Modelis DGD801

Darbo režimas: paviršiaus šlifavimas

Vibracijos emisija ($a_{h,SG}$): 2,5 m/s² arba mažiau

Paklaida (K): 1,5 m/s²

PASTABA: Paskelbtasis vibracijos emisijos dydis nustatytas pagal standartinį testavimo metodą ir jį galima naudoti vienam įrankiui palyginti su kitu.

PASTABA: Paskelbtasis vibracijos emisijos dydis taip pat gali būti naudojamas preliminariai įvertinti vibracijos poveikį.

⚠️ISPĖJIMAS: Faktiškai naudojant elektrinį įrankį, keliamos vibracijos dydis gali skirtis nuo paskelbtojo dydžio, priklausomai nuo būdų, kuriais yra naudojamas šis įrankis.

⚠️ISPĖJIMAS: Siekiant apsaugoti operatorių, būtina įvertinkite saugos priemonės, remdamiesi vibracijos poveikiu įvertinimu esant faktinėms naudojimo sąlygoms (atsižvelgdami į visas darbo ciklo dalis, pavyzdžiui, ne tik kiek laiko įrankis veikia, bet ir kiek kartų jis yra išjungiamas bei kai jis veikia be apkrovų).

Tik Europos šalims**ES atitikties deklaracija**

Bendrovė „Makita“ atsakingai pareiškia, kad šis įrenginys (-iai):

Mechanizmo paskirtis:

Belaidis tiesinis šliuoklis

Modelio Nr./ tipas: DGD800, DGD801

Atitinka šias Europos direktyvas:

2006/42/EC

Yra pagaminti pagal šį standartą arba normatyvinius dokumentus:

EN60745

Techninį dokumentą pagal 2006/42/EB galima gauti iš:

Makita, Jan-Baptist Vinkstraat 2, 3070, Belgium (Belgija)

10.11.2015



Yasushi Fukaya

Direktorius

Makita, Jan-Baptist Vinkstraat 2, 3070, Belgium (Belgija)

Bendrieji perspėjimai darbui su elektriniais įrankiais

⚠️ISPĖJIMAS Perskaitykite visus saugos įspėjimus ir instrukcijas. Nesilaikydami žemiau pateiktų įspėjimų ir instrukcijų galite patirti elektros smūgį, gaisrą ir/arba sunkų sužeidimą.

Išsaugokite visus įspėjimus ir instrukcijas, kad galėtumėte jas peržiūrėti ateityje.

SAUGUMAS ĮSPĖJIMAI DĖL AKUMULIATORINIO TIESINIO ŠLIFUOTUVO NAUDOJIMO

Saugumo įspėjimai, bendri šlifavimo procesams:

1. Šis el. įrankis yra numatytas funkcionuoti kaip šlifukoilis. Perskaitykite visus saugumo įspėjimus, instrukcijas, iliustracijas bei technines sąlygas, pateikiamas kartu su šiuo elektriniu įrankiu. Nesugebėjimas laikytis žemiau išvardintų instrukcijų gali tapti elektros smūgio, gaisro ir/ar rimto sužeidimo priežastimi.
2. Šiuo elektriniu įrankiu nerekomenduojama vykdyti tokių operacijų, kaip smėlio barstymas, laidų valymas, poliravimas ar pjovimas. Operacijos, kurioms šis el. įrankis nebuvo sukurtas, gali sukelti pavojų bei sąlygoti susižeidimą.
3. **Nenaudokite priedų, kurie nėra specialiai sukurti ir rekomenduojami įrankio gamintojo.** Vien dėl to, kad priedą įmanoma pritaisyti prie jūsų elektrinio įrankio, tai negali užtikrinti saugios eksploatacijos.
4. **Nominalusis priedo greitis turi būti bent jau lygus maksimaliam greičiui, nurodytam ant elektrinio įrankio.** Priedai, kurie veikia greičiau už nominalųjį greitį, gali sulūžti ir atsiskirti.
5. **Priedo išorinis skersmuo ir storis turi atitikti elektrinio įrankio pajėgumo kategoriją.** Netinkamo dydžio priedų negalima tinkamai apsaugoti apsauginiais gaubtais ar valdyti.
6. **Priedų dydis turi tiksliai atitikti elektrinio įrankio įvorės dydį.** Naudojami priedai, kurių dydis neatitinka elektrinio įrankio dalių, prie kurių jie montuojami, dydžio, išbalansuos įrankį, sukels pernelyg didelę vibraciją bei įrankio valdymo praradimą.
7. **Priedai, sumontuoti ant šerdžių, privalo būti iki galo įkišti į įvorę arba griebtuvą.** Jeigu šerdis bus nepakankamai įtvirtinta ir (arba) diskas per daug kyšos, sumontuotas priedas gali atsilaisvinti ir būti dideliu greičiu nusviestas.
8. **Nenaudokite sugadinto priedo. Kas kartą prieš naudojimą apžiūrėkite priedą, pvz., apžiūrėkite šlifavimo diskus dėl atplaišų bei įtrūkimų.** Jeigu el. įrankis arba priedas buvo nukritęs, patikrinkite, ar jis neapgadintas, arba įtaisykite nesugadintą priedą. Patikrinę ir įtaisę priedą, atsistokite bei nuveskite stebinčiuosius toliau nuo besisukančio priedo plokštumos ir paleiskite elektrinį įrankį veikti maksimaliu greičiu be apkvos 1 minutę. Paprastai per šį tikrinimo laiką pažeisti priedai turėtų suskilti.
9. **Dėvėkite asmeninės apsaugos aprangą.** Priklausomai nuo pritaikymo, naudokite apsauginį veido skydelį, tamsius arba apsauginius akinius. Kaip pridera, dėvėkite priešdirbinę puskaukę, klausos apsaugą, pirštines ir dirbtuvės prijuostę, sulaikančią smulkius abrazyvus ar ruošinio skeveldras. Akių apsauga turi sulaikyti skriejančias nuolaužas, susidariusias įvairių operacijų metu. Priešdirbinę puskaukę arba respiratorius turi filtruoti dalelytes, susidariusias jums vykdančios operacijos. Dėl intensyvaus ilgalaikio triukšmo galima prarasti klausą.

10. **Laikykite stebinčiuosius toliau nuo darbo vietos.** Kiekvienas, užeinantis į darbo vietą, turi dėvėti asmeninę apsaugos aprangą. Ruošinio ar sulūžusio priedo skeveldros gali nuskrieti toliau ir sužeisti asmenis už tuo metu vykdomos operacijos zonos.
11. **Laikykite elektrinį įrankį tik už izoliuotų paviršių, jei pjovimo įrankis gali paliesti nematomus laidus.** Prisilietus prie „gyvo“ laido, įtampa bus perduota neizoliuotoms metalinėms elektrinio įrankio dalims ir operatorius gaus elektros smūgį.
12. **Įjungę įrankį, visada tvirtai jį laikykite ranka (-omis).** Didėjant variklio greičiui, variklio reakcinė sukimo jėga gali priversti įrankį sukintis.
13. **Ruošinį visada įtvirtinkite spaustuvais, kai tik tai yra įmanoma. Niekada nelaikykite mažo ruošinio viena ranka, o naudojamą įrankio – kita ranka.** Įtvirtinę mažą ruošinį spaustuvais, įrankį galėsite valdyti abejomis rankomis. Pjaunami apvalūs ruošiniai, pavyzdžiui, strypai arba vamzdžiai, linkę sukintis; dėl to antgalis gali sulinkti arba atšokti jūsų link.
14. **Niekada nepadėkite šio elektrinio įrankio, kol jo priedas nėra visiškai sustojęs.** Greitai besisukantis priedas gali užkabinti paviršių ir jūs galite nebesuvaldyti elektrinio įrankio.
15. **Pakeitę antgalius arba atlikę bet kokius reguliavimo darbus, būtinai patikrinkite, ar tvirtai užveržta įvorės veržlė, griebtuvas arba kiti reguliavimo įtaisai.** Atsilaisvinę įtaisai gali netikėtai pasislinkti, todėl galite nesuvaldyti įrankio ir atsilaisvinę besisukančios dalys gali būti išsviestos didele jėga.
16. **Nenaudokite elektrinio įrankio laikydami jį sau prie šono.** Greitai besisukantis priedas gali atsitiktinai užkabinti jūsų drabužius ir jus sužaloti.
17. **Reguliariai išvalykite elektrinio įrankio oro ventiliacijos angas.** Variklio ventiliatorius traukia dulkes iš korpuso vidurį ir dėl per didelės metalo dulkių sankaupę gali kilti su elektros įranga susijęs pavojus.
18. **Nenaudokite elektrinio įrankio būdami netoliese degių medžiagų.** Nuo kibirkščių degiosios medžiagos gali užsidegti.
19. **Nenaudokite priedų, kuriems reikalingi skysti aušinimo skysčiai.** Naudojant vandenį ar kitą skystį gali išstikti mirtina elektros trauma ar elektros smūgis.

Atatranka ir su ja susiję įspėjimai

Atatranka yra staigi reakcija į besisukančio priedo sugnybimą arba užkliuvimą. Suspaudimas arba sugnybimas sukelia staigų besisukančio priedo sulaikymą, dėl kurio nevaldomas elektrinis įrankis verčiamas judėti priešinga priedo sukimuisi kryptimi. Pavyzdžiui, jeigu šlifavimo diską suspaudžia ruošinys, disko kraštas, kuris patenka į suspaudimo tašką, gali įsikirsti į medžiagos paviršių ir dėl to diskas atšoks. Diskas gali atšokti į operatorių arba nuo jo; tai priklauso nuo disko sukimosi krypties suspaudimo metu. Šlifavimo diskas tokiomis sąlygomis gali ir sulūžti. Atatranka yra piktnaudžiavimo elektriniu įrankiu ir (arba) netinkamų darbo procedūrų ar sąlygų rezultatas, jos galima išvengti vadovaujantis toliau nurodytomis atsargumo priemonėmis.

- a) Tvirtai laikykite elektrinį įrankį ir stovėkite taip, kad jūsų kūnas bei ranka netrukdytų priešintis atatranks jėgoms. Ėmėsis tinkamų atsargumo priemonių, operatorius gali suvaldyti atatranks jėgas.
- b) Ypač saugokitės apdirbdami kampus, aštirus kraštus ir pan. Stenkitės priedo nesutrenkti ir neužkliudyti. Besisukantis priedas gali užsikabinti ar atsitrengti į kampus, aštirus kraštus ir sukelti atatrangą, o dėl to galima nebesuvaldyti įrankio.
- c) Nenaudokite dantyto pjovimo disko. Tokie diskai dažnai sukelia atatrangą ir įrankio suvaldymo problemų.
- d) Visada stumkite antgalį į medžiagą ta kryptimi, kuria pjovimo kraštas išeina iš medžiagos (ta kryptimi, kuria lekia skiedros). Stumiant įrankį netinkama kryptimi, antgalio pjovimo kraštas išsoka iš ruošinio ir traukia įrankį šio tiekimo kryptimi.

Specifiniai saugumo įspėjimai šlifuojant:

- a) Naudokite tik šiam elektriniam įrankiui rekomenduojamų tipų diskus ir tik rekomenduojamiems darbams atlikti.

Papildomi saugos perspėjimai:

20. Šis įrankis skirtas naudoti su klijuotais šlifujamaisiais diskų antgaliais (šlifavimo akmenimis), sumontuotais ant vientisų nesriegiuotų prakalų (jungiamųjų dalių).
21. Prieš jungdami jungiklį patikrinkite, ar diskas nesiliečia su ruošiniu.
22. Prieš naudodami įrankį darbi su tikru ruošiniu, kurį laiką įrankį palaiykite įjungtą. Stebėkite, ar nėra vibracijos ar klibėjimo, rodančio blogą surinkimą ar blogai subalansuotą diską.
23. Šlifavimui naudokite nurodyto paviršiaus diską.
24. Saugokitės kibirkščių. Laikykite įrankį taip, kad kibirkštys skristų toliau nuo jūsų ir kitų žmonių arba degių medžiagų.
25. Nepalikite veikiančio įrankio. Naudokite įrankį tik laikydami rankomis.
26. Nelieskite ruošinio iškart po naudojimo; jis gali būti itin karštas ir nudeginti odą.
27. Laikykites gamintojo nurodymų apie teisingą diskų uždėjimą ir naudojimą. Su diskais elkitės ir juos laikykite rūpestingai.
28. Patikrinkite, ar ruošinys yra tinkamai palaikomas.
29. Jei darbo vieta yra ypač karšta ir drėgna, arba labai užteršta laidžiomis dulkelėmis, naudokite užtrumpinimo pertraukiklį (30 mA), kad užtikrintumėte naudojimo saugumą.
30. Nenaudokite įrankio su bet kokiomis medžiagomis, kuriose yra asbesto.
31. Būtinai įsitinkinkite, kad tvirtai stovite. Jei naudojate įrankį aukštai, įsitinkinkite, kad apačioje nėra žmonių.

SAUGOKITE ŠIAS INSTRUKCIJAS.

▲ ĮSPĖJIMAS: NELEISKITE, kad patogumas ir gaminio pažinimas (įgyjamas pakartotinai naudojant) susilpnintų griežtą saugos taisyklių, taikytinų šiam gaminiui, laikymąsi. **DĖL NETINKAMO NAUDOJIMO** arba saugos taisyklių nesilaikymo, kurios pateiktos šioje instrukcijoje galima rimtai susižeisti.

SVARBIOS SAUGOS INSTRUKCIJOS

AKUMULATORIAUS KASETEI

- Prieš naudodami akumulatoriaus kasetę, perskaitykite visas instrukcijas ir perspėjimus ant (1) akumuliatorių kroviklio, (2) akumuliatorių ir (3) akumuliatorių naudojančio gaminio.
- Neardykite akumulatoriaus kasetės.
- Jei įrankio darbo laikas žymiai sutrumpėjo, nedelsdami nutraukite darbą su įrankiu. Tai kelia perkaitimo, nudegimų ar net sprogdimo pavojų.
- Jei elektrolitas pateko į akis, plaukite jas tyru vandeniu ir nedelsdami kreipkitės į gydytoją. Yra regėjimo praradimo pavojus.
- Neužtrumpinkite akumulatoriaus kasetės:
 - (1) Kontaktų nelieskite jokiais elektra laidžiomis medžiagomis.
 - (2) Venkite laikyti akumulatoriaus kasetę kartu su kitais metaliniais daiktais, pavyzdžiui, vinimis, monetomis ir t. t.
 - (3) Saugokite akumulatoriaus kasetę nuo vandens ir lietaus.
 Trumpasis jungimas akumuliatoriuje gali sukelti stiprią srovę, perkaitimą, galimus nudegimus ar net akumulatoriaus gedimą.
- Nelaikykite įrankio ir akumulatoriaus kasetės vietoje, kur temperatūra gali pasiekti ar viršyti 50°C (122°F).
- Nedeginkite akumulatoriaus kasetės, net jei yra stipriai pažeista ar visiškai susidėvėjusi. Ugnyje akumulatoriaus kasetė gali sprogti.
- Saugokite akumuliatorių nuo kritimo ir smūgių.
- Nenaudokite pažeisto akumulatoriaus.
- Ličio jonų akumulatoriams taikomi pavojingų prekių vežimo teisiniai reikalavimai. Komercinės transporto įmonės, pvz. trečiosios šalys, siuntų pristatymo tarnybos, privalo vadovautis ant pakuočių ir etikečių nurodytais specialiais reikalavimais. Ruošiant prekę siuntimui, privaloma pasitarti su pavojingų medžiagų tvarkymo ekspertais. Taip pat laikykites galimai taikytinų detalesnių nacionalinių reglamentų. Užklijuokite arba uždenkite atvirus kontaktus ir supakuokite akumuliatorių taip, kad jis pakuotėje nejudėtų.
- Vadovaukitės vietos įstatymais dėl akumuliatorių išmetimo.

SAUGOKITE ŠIAS INSTRUKCIJAS.

⚠️ PERSPĖJIMAS: Naudokite tik originalius

„Makita“ akumulatorius.

Naudojant ne originalius „Makita“ akumulatorius arba perdirbtus akumulatorius, akumulatorius gali sprogti ir sukelti gaisrą, sužaloti jus bei padaryti žalos turtui. Taip pat nebegalios „Makita“ garantija, taikoma „Makita“ įrankiui ir krovikliui.

Patarimai, ką daryti, kad akumulatorius tarnautų kuo ilgiau

- 1. Kraukite akumulatoriaus kasetę prieš jai visiškai išsikraunant.**
Visuomet nustokite naudoti įrankį ir kraukite akumulatoriaus kasetę, kai pastebite sumažėjusią įrankio galią.
- 2. Niekada nekraukite iki galo įkrautos akumulatoriaus kasetės.**
Per didelis įkrovimas trumpina akumulatoriaus eksploatacijos laiką.
- 3. Kraukite akumulatoriaus kasetę kambario temperatūroje 10°C - 40°C (50°F - 104°F).** Prieš kraudami leiskite atvėsti karštai akumulatoriaus kasetei.
- 4. Įkraukite akumulatoriaus, jeigu jos ilgai nenaudojate (ilgiau nei šešis mėnesius).**

VEIKIMO APRAŠYMAS

⚠️ PERSPĖJIMAS:

- Prieš reguliuodami įrenginį arba tikrindami jo veikimą visada patikrinkite, ar įrenginys išjungtas, o akumuliatorių kasetė - nuimta.

Akumulatoriaus kasetės uždėjimas ir nuėmimas

- **Pav.1:** 1. Mygtukas 2. Raudonas indikatorius 3. Akumulatoriaus kasetė

⚠️ PERSPĖJIMAS:

- Prieš įdėdami arba išimdami akumulatoriaus kasetę, visada išjunkite įrankį.
- **Įdėdami arba išimdami akumulatoriaus kasetę, tvirtai laikykite įrankį ir akumulatoriaus kasetę.** Jeigu įrankį ir akumulatoriaus kasetę laikysite netvirtai, jie gali išskysti iš jūsų rankų ir sąlygoti įrankio bei akumulatoriaus kasetės gedimą ir vartotojo sužalojimą.

Jei norite išimti akumulatoriaus kasetę, ištraukite ją iš įrankio, stumdami mygtuką, esantį kasetės priekyje. Jeigu norite įdėti akumulatoriaus kasetę, sutalpindami liežuvelį ant akumulatoriaus kasetės su grioveliu korpusė ir įstumkite į skirtą vietą. Įdėkite iki galo, kol spragtelėdama užsifiksuos. Jeigu matote raudoną indikatorių viršutinėje mygtuko pusėje, ji nėra visiškai užfiksuota.

⚠️ PERSPĖJIMAS:

- Akumulatoriaus kasetę visada įkiškite iki galo, kol nebematysite raudono indikatoriaus. Priešingu atveju ji gali atsitiktinai iškristi iš įrankio, sužeisti jus ar aplinkinius.
- Nekiškite akumulatoriaus kasetės jėga. Jeigu kasetė sunkiai lenda, ji kišama netinkamai.

Akumulatoriaus apsaugos sistema

Įrankyje įrengta akumulatoriaus apsaugos sistema. Ši sistema automatiškai atjungia variklio maitinimą, kad pailgėtų akumulatoriaus naudojimo laikas. Įrankis automatiškai išsijungs darbo metu, esant vienai iš šių įrankio ir (arba) akumulatoriaus darbo sąlygų:

- **Perkrautas:**
Įrankis naudojamas taip, kad jame neįprastai padidėja elektros srovė.
Toku atveju išjunkite įrankį ir nutraukite darbą, dėl kurio kilo įrankio perkrova. Po to įjunkite įrankį ir vėl tęskite darbą.
Jeigu įrankis neįsijungia, reiškia perkrautas akumulatorius. Toku atveju palaukite, kol akumulatorius atvės, paskui vėl įjunkite įrankį.
- **Žema akumulatoriaus įtampa:**
Likusi akumulatoriaus energija per maža ir įrankis negali veikti. Toku atveju išimkite akumuliatorių ir įkraukite jį.

PASTABA: Apsaugos nuo perkaitimo sistema veikia tik tada, jei naudojamas akumulatorius su žvaigždutės ženklu.

- **Pav.2:** 1. Žvaigždutės ženklas

Likusias akumuliatoriaus galios rodymas

(Tik toms akumuliatorių kasetėms, kurių modelio numerio gale yra raidė „B“.)

► **Pav.3:** 1. Kontrolinės lemputės 2. Tikrinimo mygtukas „CHECK“

Paspauskite ant akumuliatoriaus kasetės esantį tikrinimo mygtuką, kad būtų rodoma likusi akumuliatoriaus energija. Kelias sekundes šviečia kontrolinės lemputės.

Kontrolinės lemputės			Likusi energija
Šviečia	„OFF“ (išjungta)	Žybočia	
			75 - 100 %
			50 - 75 %
			25 - 50 %
			0 - 25 %
			Įkraukite akumuliatorių.
			Gali būti įvykęs akumuliatoriaus gedimas.

PASTABA:

- Rodmuo gali šiek tiek skirtis nuo faktinės energijos lygio - tai priklauso nuo naudojimo sąlygų ir aplinkos temperatūros.

Jungiklio veikimas

► **Pav.4:** 1. Stumdomas jungiklis

▲PERSPĖJIMAS:

- Prieš įjungdami įrankį į elektros tinklą, visuomet patikrinkite, ar stumdomas jungiklis tinkamai įsijungia ir grįžta į išjungimo padėtį „OFF“ (išjungta), kai nuspaudžiamas jungiklio galas.
- Kai įrankis naudojamas ilgą laiką tarpą, operatoriaus patogumui jungiklį galima užfiksuoti „ON“ (įjungta) padėtyje. Būkite atsargūs, užfiksuodami įrankį „ON“ padėtyje ir tvirtai laikykite įrankio rankeną.

Jei norite įjungti įrankį, pastumkite stumdomą jungiklį į padėtį „I (ON)“. Jei norite dirbti be pertraukų, paspauskite stumdomo jungiklio priekį, kad užfiksuotumėte. Įrankiu sustabdyti paspauskite stumdomo jungiklio galą, tada nustumkite į išjungimo padėtį „O (OFF)“.

Daugiau funkcinių indikatoriaus lemputė

► **Pav.5:** 1. Indikatoriaus lemputė

Indikatoriaus lemputės išdėstytos dviejose vietose. Kai akumuliatoriaus kasetė įdedama į įrankį stumdomam jungikliui esant padėtyje „O“ (išjungta), maždaug vieną sekundę greitai sužybočia indikatoriaus lemputė. Jeigu ji taip nesužybočia, akumuliatoriaus kasetė arba indikatoriaus lemputė yra sugedusi.

— Apsauga nuo perkrovos

- Kai įrankio variklis perkrautas, užsidega indikatoriaus lemputė. Kai įrankio apbrova sumažėja, lemputė užgesa.
- Jeigu įrankio variklis vis tiek yra perkraunamas ir indikatoriaus lemputė vis tiek užsidega maždaug dviems sekundėms, išjunkite įrankį. Taip apsaugosite variklį ir su juo susijusias dalis nuo gedimo.
- Tokiu atveju, vėl įjunkite įrankį, pastumkite stumdomą jungiklį į „O“ (išjungta) padėtį, o po to į „I“ (įjungta) padėtį.

— Akumuliatoriaus kasetės pakeitimo įspėjimo signalas

- Kai likusi akumuliatoriaus galia visai sumažėja, indikatoriaus lemputė darbo metu užsidega dar visiškai akumuliatoriui neišsikrovus, kai jame dar yra pakankamai galios darbui.

— Atsitiktinės pakartotinos paleisties apsaugos funkcija

- Jeigu į įrankį įdėsite akumuliatoriaus kasetę ir pastumsite stumdomą jungiklį į padėtį „I“ (įjungta), įrankis vis tiek neįsijungs. Lemputė lėtai žybočia, rodydama, kad įjungta atsitiktinės pakartotinos paleisties apsaugos funkcija.
- Norėdami įjungti įrankį, stumkite stumdomą mygtuką į „O“ (išjungta) padėtį, ir po to grąžinkite ją į padėtį „I“ (įjungta).

SURINKIMAS

▲PERSPĖJIMAS:

- Prieš darydami ką nors įrankiui visada patikrinkite, ar įrenginys išjungtas, o akumuliatorių kasetė - nuimta.

Antgalio sumontavimas ir nuėmimas

► **Pav.6:** 1. 13 nr. veržliaraktis 2. Disko antgalis 3. Įvorės veržlė 4. 13 nr. veržliaraktis

Atsukite įvorės veržlę ir įkiškite į ją antgalį. Vienu veržliaraktį laikykite veleną, o kitu tvirtai užveržkite įvorės veržlę. Disko antgalis neturėtų išsikisti už įvorės veržlės daugiau nei 10 mm. Viršijus šį atstumą gali atsirasti vibracija arba sulūžti velenas.

► **Pav.7**

Norėdami nuimti disko antgalį, laikykitės updėjimo procedūros atvirkdėia tvarka.

▲PERSPĖJIMAS:

- Pasirinktam disko antgaliui naudokite tinkamo dydžio įvorės kūgį.

NAUDOJIMAS

► Pav.8

Ijunkite įrankį, antgaliu neliesdami ruošinui ir palaikite, kol velenas pradės sukstis visu greičiu. Po to atsargiai nuleiskite antgalį ir šlifukite ruošinį. Norėdami, kad apdaila būtų kokybiška, lėtai traukite įrankį į kairę.

▲PERSPĖJIMAS:

- Dirbdami truputį paspauskite įrankį. Per didelis įrankio spaudimas tik pablogins apdailos kokybę ir pernelyg apkraus variklį.

TECHNINĖ PRIEŽIŪRA

▲PERSPĖJIMAS:

- Visuomet įsitikinkite, kad įrankis yra išjungtas ir akumulatoriaus kasetė yra nuimta prieš atliekant apžiūrą ir priežiūrą.
- Niekada nenaudokite gazolino, benzino, tirpiklio, spirito arba panašių medžiagų. Gali atsirasti išblukimų, deformacijų arba įtrūkimų.

Anglinių šepetėlių keitimas

► Pav.9: 1. Ribos žymė

Periodiškai išimkite ir patikrinkite anglinius šepetėlius. Pakeiskite juos, kai nusidėvi iki ribos žymės. Laikykite anglinius šepetėlius švarius ir laisvai įslenkančius į laikiklius. Abu angliniai šepetėliai turėtų būti keičiami tuo pačiu metu. Naudokite tik identiškus anglinius šepetėlius.

► Pav.10: 1. Laikiklio galvutės dangtis 2. Atsuktuvas

Įkiškite atsuktuvo su grioveliais galiuką į įrankio įranta, tada pakelkite ir išimkite laikiklio galvutės dangtelį.

► Pav.11: 1. Šepetėlio laikiklio dangtelis 2. Atsuktuvas

Jei norite nuimti šepetėlių laikiklių dangtelius, pasinaudokite atsuktuvu. Išimkite sudėvėtus anglinius šepetėlius, įdėkite naujus ir įtvirtinkite šepetėlių laikiklio dangtelį. Atgal uždėkite dangtelį ant įrankio.

Kad gaminys būtų SAUGUS ir PATIKIMAS, jį taisyti, apžiūrėti ar vykdyti bet kokią kitą priežiūrą ar derinimą turi įgaliotasis kompanijos „Makita“ techninės priežiūros centras; reikia naudoti tik kompanijos „Makita“ pagamintas atsargines dalis.

PASIRENKAMI PRIEDAI

▲PERSPĖJIMAS:

- Su šiame vadove aprašytu įrenginiu „Makita“ rekomenduojama naudoti tik nurodytus priedus ir papildomus įtaisus. Jeigu bus naudojami kito-kie priedai ar papildomi įtaisai, gali būti sužaloti žmonės. Priedus arba papildomus įtaisus naudokite tik pagal paskirtį.

Jeigu norite daugiau sužinoti apie tuos priedus, kreipkitės į artimiausią „Makita“ techninės priežiūros centrą.

Šoninė rankena (priedas)

► Pav.12

► Pav.13

► Pav.14

► Pav.15

Naudodami šoninę rankeną, nuimkite guminį saugiklį, į rankio cilindrą kiškite šoninę rankeną tiek, kiek ji lenda ir pasukite ją norimu kampu. Tuomet tvirtai priveržkite rankeną, sukdami pagal laikrodžio rodyklę.

▲PERSPĖJIMAS:

- Naudodami įrankį be šoninės rankenos, visuomet uždėkite guminį saugiklį.
- Užmaudami guminį apsaugą visada spauskite jį ant árankio taip, kad išorinė apskrita gumos árantf forma būtų netoli jungiklio padėties.

- Disko antgaliai
- Ávorės kūgis (3 mm, 6 mm, 8mm, 1/4", 1/8")
- Ávorės vertėlė
- 13 nr. veržliaraktis
- Šoninės rankenos komplektas
- Originalus „Makita“ akumulatorius ir kroviklis

PASTABA:

- Kai kurie sąrašė esantys priedai gali būti pateikti įrankio pakuotėje kaip standartiniai priedai. Jie įvairiose šalyse gali skirtis.

TEHNILISED ANDMED

Mudel	DGD800	DGD801
Puuripadrundi maht	6 mm või 6,35 mm (1/4")	
Lihvotsaku max läbimõõt	36 mm	
Max saba (tööriista varre) pikkus	46 mm	
Pöörlemissagedus koormuseta (n_0) / nominaalne pöörlemissagedus (n)	26 000 (min ⁻¹)	
Kogupikkus	402 mm	307 mm
Netomass	2,0 kg	1,7 kg
Nimipinge	Alalisvool 18 V	

- Meie jätkuva teadus- ja arendustegevuse programmi tõttu võidakse siin antud tehnilisi andmeid muuta ilma ette teatamata.
- Spetsifikatsioonid ja aku korpus võivad riigiti erineda.
- Kaal koos aku korpusega vastavalt EPTA-protseduurile 01/2003

Ettenähtud kasutamine

Tööriist on ette nähtud rauasulamist materjalide lihvimiseks või kraatide eemaldamiseks.

Müra

Tüüpiline A-korrigeeritud müratase vastavalt EN60745:

Mürarõhutase (L_{pA}): 72 dB (A)

Määramatus (K): 3 dB (A)

Müratase töötamisel võib ületada 80 dB (A).

Kandke kõrvakaitsmeid**Vibratsioon**

Vibratsiooni koguväärtus (kolmeteljeliste vektorite summa) määratud vastavalt EN60745:

Mudel DGD800

Töörežiim: pinna lihvimine

Vibratsioonitase ($a_{h,SG}$): 6,5 m/s²

Määramatus (K): 1,5 m/s²

Mudel DGD801

Töörežiim: pinna lihvimine

Vibratsioonitase ($a_{h,SG}$): 2,5 m/s² või vähem

Määramatus (K): 1,5 m/s²

MÄRKUS: Deklareeritud vibratsiooniemissiooni väärtus on mõõdetud kooskõlas standardse testimiseetodiga ning seda võib kasutada ühe seadme võrdlemiseks teisega.

MÄRKUS: Deklareeritud vibratsiooniemissiooni väärtust võib kasutada ka mürataseme esmaseks hindamiseks.

⚠HOIATUS: Vibratsioonitase võib elektritööriista tegelikkuses kasutamise ajal erineda deklareeritud väärtusest sõltuvalt tööriista kasutamise viisidest.

⚠HOIATUS: Rakendage kindlasti operaatori kaitsmiseks piisavaid ohutusabinõusid, mis põhinevad hinnangulisel müratasemel tegelikus töösituatsioonis (võttes arvesse tööperioodi kõik osad nagu näiteks korrad, mil seade lülitatakse välja ja mil seade töötab tühikäigul, lisaks tööajale).

Ainult Euroopa riigid**EÜ vastavusdeklaratsioon****Makita deklareerib, et alljärgnev(ad) masin(ad):**

Masina tähistus:

Akuga lihvmasin

Mudeli nr/tüüp: DGD800, DGD801

Vastavad alljärgnevatele Euroopa Parlamendi ja nõukogu direktiividele:

2006/42/EC

Need on toodetud vastavalt järgmistele standarditele või standardiseeritud dokumentidele:

EN60745

Tehniline fail, mis on kooskõlas direktiiviga 2006/42/EÜ, on saadaval ettevõttes:

Makita, Jan-Baptist Vinkstraat 2, 3070, Belgia

10.11.2015



Yasushi Fukaya

Direktor

Makita, Jan-Baptist Vinkstraat 2, 3070, Belgia

Üldised elektritööriistade ohutushoiatused

⚠HOIATUS Lugege läbi kõik ohutushoiatused ja juhised. Hoiatuste ja juhiste mittejärgmine võib põhjustada elektrišokki, tulekahju ja/või tõsisid vigastusi.

Hoidke alles kõik hoiatused ja juhised edaspidisteks viideteks.

Tavapärase ohutushoiatused lihvimistööks:

1. Seda elektritööriista kasutatakse lihvimisvahendina. Lugege läbi kõik elektritööriistaga kaasasolevad ohutushoiatused, juhendid, illustreeritud näidised ja tehnilised andmed. Kõigi juhendite täpne järgimine ennetab elektrilöögi, tulekahju ja/või tõsise vigastuse ohtu.
2. Lihvimine, traatharjaga töötlemine, poleerimine või tükeldamine ei ole antud elektritööriista jaoks sobivad. Selle tööriista jaoks mitmesugused tööd võivad olla ohtlikud ja põhjustada vigastusi.
3. Ärge kasutage tarvikuid, mis pole tootja poolt selle tööriista jaoks spetsiaalselt välja töötatud. Tarviku elektritööriistale kinnitamise võimalus ei taga veel selle ohutut tööd.
4. Tarviku nimikiirus peab olema vähemalt võrdne elektritööriista märgitud maksimumkiirusega. Tarvikud, mis töötavad nimikiirusest suuremal kiirusel, võivad katki minna ja laiali lennata.
5. Tarviku välisläbimõõt ja paksus peavad jääma elektritööriista võimsuse nimiaandmete piiridesse. Mittenõuetekohaste parameetritega tarvikuid ei saa korralikult kontrolli all hoida.
6. Tarvikute võlli suurus peab õigesti sobituma elektritööriista tsangpadruniga. Tarvikud, mis ei sobitu elektritööriista paigaldusseadisele, kaotavad tasakaalu, hakkavad liigselt vibreerima ja võivad kaotada juhitavuse.
7. Sabaga monteeritavad tarvikud tuleb täielikult sisestada tsangpadrunisse või padrunisse. Kui saba hoitakse kinni ebapiisavalt ja/või lihvketta üleulatus on liiga pikk, võib monteeritud tarvik lahti tulla ja suure kiirusega eemale paiskuda.
8. Ärge kasutage kahjustatud tarvikut. Enne iga kasutuskorda kontrollige tarvikuid (nt abratsiivkettaid) võimalike täkete ja pragude leidmiseks. Kui elektritööriist on maha kukkunud, siis veenduge, et see pole kahjustunud või paigaldage kahjustamata tarvik. Pärast tarviku kontrollimist ja paigaldamist veenduge, et teie ise ja kõrvalseisjad ei jää pöörleva tarviku tööraadiusse ja laske elektritööriistalt ühe minuti jooksul maksimaalsel koormusvabal kiirusel töötada. Selle testi jooksul rebivad kahjustatud tarvikud end tavaliselt lahti.
9. Kandke isiklikku kaitsevarustust. Sõltuvalt tööst kandke näokatet või kaitseprille. Vajadusel kandke tolmumaski, kõvaklappe, kindaid ja põlle, mis suudab kaitsta väikeste abratsiivsakete või töödeldava detaili kildude eest. Silmakaitse peab pakkuma kaitset lendava prügi eest, mis erinevate töödega kaasneb. Tolmumask või respiraator peab filtreerima töö käigus eralduvaid materjaliosakesi. Pikaajaline kokkupuude müraga võib põhjustada kuulmiskahju.
10. Hoidke kõrvalseisjad tööalast turvalises kauguses. Kõik, kes sisenevad tööalasse, peavad kandma kaitsevarustust. Töödeldava detaili või tarvikute osakesed võivad eemale lennata ja põhjustada vigastusi ka väljaspool vahetatava tööala.

11. Hoidke elektritööriista ainult isoleeritud käepidemetest, kui töötate kohtades, kus löikevõime võib tekkida puutuda peidetud juhtmetega. Kokkupuude voolu all oleva juhtmega võib pingetada ka elektritööriista katmata metallosad ning operaator võib saada elektrilöögi.
12. Hoidke tööriista käivitamise ajal alati kindlalt käega (kätega) kinni. Mootori reaktsioonimoment, mis käivitab kiirenduse tekkimiseni, võib põhjustada tööriista väanlemise.
13. Vajaduse korral kasutage klambreid töödeldava detaili toestamiseks. Ärge kunagi hoidke tööriista kasutamise ajal väikest töödeldavat detaili ühes käes ja tööriista teises käes. Väikese töödeldava detaili kinnitamine võimaldab teil kätt (käsi) kasutada tööriista juhtimiseks. Ümarmaterjal, nagu tüübi ümartoorkud, torud või torujad detailid, kalduvad lõikamise ajal veerema ja võivad põhjustada otsaku kinnijäämist või teie suunas hüppamist.
14. Ärge pange elektritööriista kunagi maha enne, kui tarviku liikumine pole täielikult peatunud. Pöörlev tarvik võib pinnal liikumist jätkata, põhjustades elektritööriista väljumise teie kontrolli alt.
15. Pärast otsaku vahetamist või mis tahes reguleerimise teostamist veenduge, et tsangpadruni mutter, padrun või ükskiol missugune muu reguleerimisvahend oleks korralikult pingutatud. Lahtised reguleerimisvahendid võivad ootamatult nihkuda, põhjustades kontrolli kaotuse. Lahtised pöörlevad komponendid võidakse jõuliselt eemale paisata.
16. Lülitage elektritööriist välja, kui seda oma küljel kannate. Juhuslik kokkupuude pöörleva tarvikuga võib põhjustada riide kinnijäämist ja tarviku teie kehasse tõmmata.
17. Puhasd elektritööriista õhuavasid regulaarselt. Mootori ventilator tõmbab tolmu korpusesse ja metallitolmu liigne kogunemine võib põhjustada elektriõhtu.
18. Ärge kasutage seadet tuleohtlike materjalide lähedal. Need materjalid võivad sädemetest süttida.
19. Ärge kasutage tarvikuid, mis nõuavad jahutusvedelikke. Vee või teiste vedelate jahutusvahendite kasutamine võib põhjustada surmava elektrilöögi või -šoki.

Tagasilöökk ja sellega seotud hoiatused

Tagasilöökk on kinnikiilunud või kinnijäänud pöörleva tarviku ootamatu reaktsioon. Kinnikiilumine või kinnijäämine põhjustab pöörleva tarviku kiire seiskumise, mis omakorda sunnib juhitamatult elektritööriista pöörlema vastassuunas tarviku pöörlemise suunale. Näiteks kui lihvketas jäi või kiilus töödeldava detaili külge kinni, võib ketta serv, mis siseneb kinnikiilumise kohta, tungida materjalipinda, mis põhjustab ketta väljakiikumise või väljalöögi. Ketas võib hüpata kasutaja poole või kasutajast eemale, sõltuvalt ketta liikumissuunast kinnikiilumiskohas. Lihvkettad võivad neis tingimustes samuti puruneda.

Tagasilöökk on elektritööriista väärasasutuse ja/või valede tööoperatsioonide või -tingimuste tulemus, mida on võimalik vältida, järgides alljärgnevat asjakohaseid ettevaatusabinõusid.

- a) Hoidke elektritööriista kindlas haardes ja seadke oma keha ning käsivaras sellisesse asendisse, mis võimaldab teil tagasilöögidest vastu panna. Operaator saab tagasilöögidest kontrolli all hoida, kui kasutab õigeid ettevaatusabinõusid.

b) Olge ettevaatlik kui töötate nurki, teravaid servi jne. Vältige tarviku tagasi pörgatamist ja kinni jäämist. Nurgad, teravad servad või tagasi pörgatamine võivad põhjustada pöörleva tarviku kinnijäämise, mille tagajärjeks võib olla kontrolli kaotus või tagasilöökk.

c) Ärge kinnitage hambulist saetera. Niisugused terad tekitavad sageli tagasilööki ja juhitavuse kaotust.

d) Juhtige lõiketera materjali sisse samas suunas lõikeserva väljumise suunaga (mis on sama suund laastude väljapaiskamisega). Tööriista ettenihke teises suunas põhjustab lõiketera lõikeserva välja hüppamise töödeldavast detailist ning tööriista tõmbamise selle ettenihke suunas.

Ohutusohiatused lihvimistööks:

a) Kasutage ainult selliseid ketta tüüpe, mida on teie elektritööriista jaoks soovitatud ning kasutage neid ainult soovitatud tööde puhul.

Lisaturvahoiatused:

20. Tööriist on ette nähtud kasutamiseks liimitud abrasiivmaterjaliga kaetud lihvotsakuga (käiakivi), mis on jäädavalt monteeritud sileda, keermeteta saba (tööriista varred) külge.
21. Veenduge, et lihvketas ei puutuks enne tööriista sisselülitamist vastu töödeldavat detaili.
22. Enne tööriista kasutamist töödeldaval detailil laske sellel mõnda aega töötada. Jälgige vibratsiooni või vibamist, mis võib tähendada ebaõiget paigaldust või halvasti tasakaalustatud ketast.
23. Lihvimist teostage selleks ettenähtud kettapinna osaga.
24. Olge ettevaatlik lendvate sädemetega. Hoidke seadet nii, et sädemed lendaksid eemale nii teist, kaasinimestest kui ka tuleohtlikest materjalidest.
25. Ärge jätke tööriista käima. Käivitage tööriist ainult siis, kui hoiate seda käes.
26. Ärge puutuge töödeldavat detaili vahetult peale töötlemist; see võib olla väga kuum ja põhjustada põletushaavu.
27. Ketta õigeks paigaldamiseks ja kasutamiseks järgige valmistajapoolseid juhendeid. Käsitsege ja ladustage kettaid hoolikalt.
28. Kontrollige, kas töödeldav detail on korralikult kinnitatud.
29. Kui töökoht on äärmiselt kuum ja niiske või tugevalt saastatud elektrit juhtiva tolmuga, siis tuleb operaatori ohutuse tagamiseks kasutada lühisvoolukatset (30 mA).
30. Ärge kasutage tööriista asbesti sisaldavate materjalide töötlemiseks.
31. Veenduge alati, et teie jalgealune oleks kindel. Kui töötate kõrguses, siis jälgige, et teist allpool ei viibiks inimesi.

HOIDKE JUHEND ALLES.

⚠️HOIATUS: ÄRGE laske mugavusel või toote kasutamisharjumustel (mis on saadud korduva kasutuse jooksul) asendada vankumatut toote ohutuseeskirjade järgimist. VALE KASUTUS või käesoleva kasutusjuhendi ohutusnõuete eiramine võib põhjustada tõsiseid vigastusi.

TÄHTSAD OHUTUSALASED JUHISED

AKUKASSETI KOHTA

1. Enne akukassetti kasutamist lugege (1) akulaadidajal, (2) akul ja (3) seadmel olevad kõik juhised ja hoiatused läbi.
2. Ärge akukassetti lahti monteeri.
3. Kui tööaeg järjest lüheneb, siis lõpetage kasutamine koheselt. Edasise kasutamise tulemuseks võib olla ülekuumenemisoht, võimalikud põletused või isegi plahvatus.
4. Kui elektrilüüti satub silma, siis loputage silma puhta veega ja pöörduge koheselt arsti poole. Selline õnnetus võib põhjustada pimedaksjäämist.
5. Ärge tekitage akukassetis lühist:
 - (1) Ärge puutuge klemme elektrijuhtidega.
 - (2) Ärge hoidke akukassetti tööriistakastis koos metallsemetega, nagu naelad, mündid jne.
 - (3) Ärge tehke akukassetti märjaks ega jätke seda vihma kätte.Aku lühis võib põhjustada tugevat elektrivoolu, ülekuumenemist, põletusi ning ka seadme tõsiselt kahjustada.
6. Ärge hoidke tööriista ja akukassetti kohtades, kus temperatuur võib tõusta üle 50° C.
7. Ärge põletage akukassetti isegi siis, kui see on saanud tõsiselt vigastada või on täiesti kuldunud. Akukassett võib tules plahvatada.
8. Olge ettevaatlik ning ärge laske akul maha kukkuda või lööge seda.
9. Ärge kasutage kahjustatud akut.
10. Seadmes sisalduvatele liitiumioonakudele kehtivad ohtlike kaupade käitlemist reguleerivate õigusaktide nõuded. Kaubavedude puhul, nt kolmandate isikute ja veofirmade poolt, tuleb järgida pakendamise ja märgistamise erinõudeid. Toote ettevalmistamisel lähetamiseks on nõutav konsulteerimine ohtlike materjalide eksperdiga. Palun järgige ka riiklike õigusakte, mis võivad sisaldada täpsemaid nõudeid. Teipige lahtised kontaktid või katke need kinni ja pakkige aku selliselt, et see ei saa pakendis liukuda.
11. Järgige kasutuskoõlmatuks muutunud aku käitlemisel kohalikke eeskirju.

HOIDKE JUHEND ALLES.

⚠️ETTEVAATUST: Kasutage ainult Makita originaal-lakusid.

Selliste akude kasutamine, mis ei ole Makita originaal-lakud või mida on muudetud, võib põhjustada aku lõhkemise, mille tagajärjeks võib olla tulekahju, kehavigastus ja muu kahjustus. Samuti tühistab see Makita tööriista ja laadija kohta kehtiva Makita garantii.

Vihjeldi aku maksimaalse kasutusaja tagamise kohta

1. Laadige akukassetti enne kui see täiesti tühjaks saab.
Alati, kui märkate, et tööriist töötab väiksema võimsusega, peatage töö ja laadige akut.
2. Ärge kunagi laadige täislaetud akukassetti. Liigne laadimine lühendab aku kasutusiga.
3. Laadige akukassetti toatemperatuuril 10° C - 40° C. Laske kuumal akukassetil enne laadimist maha jahtuda.
4. Laadige akukassetti, kui te ei kasuta seda pikema aja jooksul (rohkem kui kuus kuud).

FUNKTSIONAALNE KIRJELDUS

⚠ETTEVAATUST:

- Kandke alati hoolt selle eest, et tööriist oleks enne reguleerimist ja kontrollimist välja lülitatud ja akukassett eemaldatud.

Akukasseti paigaldamine või eemaldamine

- **Joon.1:** 1. Nupp 2. Punane näidik 3. Akukassett

⚠ETTEVAATUST:

- Lülitage tööriist alati enne akukasseti paigaldamist või eemaldamist välja.
- **Hoidke tööriista ja akukassetti kindlalt käes, kui paigaldate või eemaldate akukassetti.** Kui eirata nõuet tööriista ja akukassetti hoidmise kohta, võivad need käest libiseda ja maha kukkuda puruneda ja põhjustada kehavigastusi.

Akukasseti eemaldamiseks libistage see tööriista küljest lahti, vajutades kassetti esiküljel paiknevat nuppu alla.

Akukasseti paigaldamiseks joondage akukasseti keel korpuse soonega ja libistage kassett oma kohale. Paigaldage kassett alati nii kaugele, et see lukustuks klõpsatusega oma kohale. Kui näete nupu ülaosas punast osa, pole kassett täielikult lukustunud.

⚠ETTEVAATUST:

- Paigaldage akukassett alati täies ulatuses nii, et punast osa ei jääks näha. Vastasel korral võib kassett tööriistast välja kukkuda ning vigastada Teid või läheduses viibivaid isikuid.
- Ärge rakendage jõudu akukasseti paigaldamisel. Kui kassett ei lähe kergesti sisse, pole see õigesti paigaldatud.

Aku kaitsesüsteem

Tööriist on varustatud aku kaitsesüsteemiga. Süsteem lülitab mootori automaatselt välja, et pikendada aku eluiga.

Tööriist seiskub kaitamise ajal automaatselt, kui tööriista ja/või aku kohta kehtivad järgmised tingimused.

- Ülekoormus.
Tööriista kasutatakse viisil, mis põhjustab toitevoolu tugevuse tõusu lubatust kõrgemale.
Sellisel juhul lülitage tööriist välja ja peatage töö, mis põhjustas tööriista ülekoormuse. Seejärel lülitage tööriist sisse, et see taaskäivitada.
Kui tööriist ei käivitu, siis on aku ülekuumenenud. Sellisel juhul laske akul maha jahtuda enne, kui tööriista uuesti sisse lülitate.
- Madal akupinge.
Aku jääkmahtuvus on liiga väike ja tööriist ei hakka tööle. Sellisel juhul eemaldage aku ja laadige seda.

MÄRKUS: Ülekuumenemise vastane kaitse töötab ainult koos täheke märgiga akukassetiga.

























- **Joon.2:** 1. Tähe märgis

Aku jääkmahtuvuse näit

(Ainult akukassetid, mille mudeli numbri lõpus on „B“.)

- **Joon.3:** 1. Indikaatori lambid 2. KONTROLLIMISE nupp

Vajutage akukassetil olevat kontrollnuppu, et näidata aku jääkmahtuvust. Märgulambid süttivad mõneks sekundiks.

Indikaatori lambid			Jääkmahtuvus
 Põleb	 Välja lülitatud	 Vilgub	
			75 % kuni 100 %
			50 % kuni 75 %
			25 % kuni 50 %
			0 % kuni 25 %
			Laadige akut.
			Aku võib olla rikkis.
			

MÄRKUS:

- Näidatud mahtuvus võib veidi erineda tegelikust mahtuvusest olenevalt kasutustingimustest ja ümbritseva keskkonna temperatuurist.

Lülitite funktsioneerimine

► Joon.4: 1. Liugurlülit

⚠ **ETTEVAATUST:**

- Enne tööriista vooluvõrku ühendamist kontrollige alati, kas liugurlülit funktsioneerib nõuete kohaselt ja liigub liugurlülit tagumise osa vajutamisel tagasi väljalülitatud asendisse.
- Pikemaajalisel kasutamisel saab lülit operatoori mugavuse huvides lukustada sisselülitatud asendisse. Tööriista lukustamisel sisselülitatud asendis olge ettevaatlik ja hoidke tööriista kindlas haardes.

Tööriista sisselülitamiseks libistage liugurlülitit asendi "I (ON)" suunas. Pidevaks töötamiseks vajutage lülitit lukustamiseks liugurlülitit esiosale. Tööriista seiskamiseks vajutage liugurlülitit tagaosaale, seejärel libistage seda asendi "O (OFF)" suunas.

Mitmfunktsiooniline märgutuli

► Joon.5: 1. Märgutuli

Märgutuled paiknevad kahes kohas.

Akukasseti sisestamisel tööriista, kui liugurlülit on asendis „O“ (välja lülitatud), vilgatab märgutuli kiirelt umbes üheks sekundiks. Kui see ei vilgata, on akukassett või märgutuli katki.

— Ülekoormuse kaits

- Kui tööriist on üle koormatud, süttib märgutuli. Tööriista koormuse vähenemisel tuli kustub.
- Kui tööriist on jätkuvalt üle koormatud ja märgutuli põleb püsivalt umbes kaks sekundit, siis tööriist seiskub. See hoiab ära mootori ja sellega seotud osade kahjustuse.
- Sellisel juhul viige liugurlülit tööriista taaskäivitamiseks korraks asendisse „O“ (välja lülitatud) ja seejärel asendisse „I“ (sisse lülitatud).

— Akukasseti vahetamise signaal

- Kui aku jäämahtuvus on väike, süttib märgutuli töö käigus varem, kui piisava mahtuvusega aku kasutamisel.

— Juhikäivituse vältimise funktsioon

- Isegi kui akukassett sisestatakse tööriista ajal, mil liugurlülit on asendis „I“ (sisse lülitatud), ei hakka tööriist tööle. Sellisel juhul vilgub tuli aeglaselt, mis näitab, et juhikäivituse vältimise funktsioon töötab.
- Tööriista käivitamiseks lükake liugurlülitit kõigepealt asendi „O“ (välja lülitatud) suunas ja seejärel asendi „I“ (sisse lülitatud) suunas.

KOKKUPANEK

⚠ **ETTEVAATUST:**

- Kandke alati hoolt selle eest, et tööriist oleks enne igasuguseid hooldustöid välja lülitatud ja akukassett eemaldatud.

Lihvotsaku paigaldamine või eemaldamine

► Joon.6: 1. Mutrivõti nr 13 2. Lihvotsak 3. Tsangmutter 4. Mutrivõti nr 13

Lõdvendage tsangmutrit ja torgake lihvotsak tsangmutrisesse. Ühe mutrivõtme abil hoidke varrast kinni ja teise abil keerake tsangmutter korralikult kinni.

Lihvotsakut ei tohi paigaldada tsangmutrist kaugemale kui 10 mm. Selle vahemaa ületamine võib põhjustada vibratsiooni või võlli purunemise.

► Joon.7

Ketta eemaldamiseks järgige paigaldamise protseduuri vastupidises järjekorras.

⚠ **ETTEVAATUST:**

- Tsangkoonuse suurus peab vastama kasutatavale lihvotsakule.

TÖÖRIISTA KASUTAMINE

► Joon.8

Lülitage tööriist sisse, vältides lihvotsaku kokkupuutumist töödeldava detailiga, ning oodake, kuni lihvotsak saavutab täiskiruse. Seejärel pange lihvotsak õrnalt vastu töödeldavat detaili. Et tulemus oleks kvaliteetne, nihutage tööriista aeglaselt vasakule.

⚠ **ETTEVAATUST:**

- Rakendage tööriistale kergert survet. Tööriistale liiga tugeva surve rakendamisel saate rohmaka tulemuse ja koormate mootori üle.

HOOLDUS

⚠ **ETTEVAATUST:**

- Kandke alati enne kontroll- või hooldustöid teostamist hoolt selle eest, et tööriist oleks välja lülitatud ja akukassett korpuse küljest eemaldatud.
- Ärge kunagi kasutage bensiini, vedeldit, alkoholi ega midagi muud sarnast. Selle tulemuseks võib olla luumine, deformatsioon või pragunemine.

Süsiharjade asendamine

► Joon.9: 1. Piirmärgis

Võtke välja ja kontrollige süsiharju regulaarselt. Asendage süsiharjad uutega, kui need on kulunud piirmärgini. Hoidke süsiharjad puhtad, nii on neid lihtne oma hoidikutesse libistada. Mõlemad süsiharjad tuleb asendada korraga. Kasutage ainult identseid süsiharju.

► Joon.10: 1. Hoidikukaane kate 2. Kruvikeeraja

Torgake tööriistal olevasse sätku lapikruvikeeraja ots ja eemaldage hoidiku kaane kate, tõstes selle üles.

► Joon.11: 1. Harjahoidiku kate 2. Kruvikeeraja

Kasutage harjahoidikute kaante eemaldamiseks kruvi-keerajat. Võtke ärakulunud süsiharjad välja, paigaldage uued ning kinnitage harjahoidikute kaaned tagasi oma kohale.

Pange hoidiku kaane kate tagasi tööriista külge.

Toote OHUTUSE ja TÕÕKINDLUSE tagamiseks tuleb vajalikud remonttööd, muud hooldus- ja reguleerimistööd lasta teha Makita volitatud teeninduskeskustes.

Alati tuleb kasutada Makita varuosi.

VALIKULISED TARIKUD

⚠ ETTEVAATUST:

- Neid tarvikuid ja lisaseadiseid on soovitatav kasutada koos Makita tööriistaga, mille kasutamist selles kasutusjuhendis kirjeldatakse. Muude tarvikute ja lisaseadiste kasutamisega kaasneb vigastada saamise oht. Kasutage tarvikuid ja lisaseadiseid ainult otstarvetel, milleks need on ette nähtud.

Saate vajadusel kohalikust Makita teeninduskeskusest lisateavet nende tarvikute kohta.

Külgmine käepide (lisavarustus)

► Joon.12

► Joon.13

► Joon.14

► Joon.15

Külgkäepideme kasutamisel eemaldage kummist turvis, torgake külgkäepide võimalikult sügavale tööriista trumlisse ja keerake see soovitud nurga alla. Seejärel pingutage korralikult käepidet, pöörates seda päripäeva.

⚠ ETTEVAATUST:

- Kui kasutate tööriista ilma käepidemeta, paigaldage tööriista külge alati kummist turvis.
- Kummist kaitsme paigaldamisel tuleb see alati lükata seadmele nii, et kummi ülemine ümar osa paikneks lüüti lähedal.

- Lihvotsakud
- Puuripadrunit komplekt (3 mm, 6 mm, 8 mm, 1/4", 1/8")
- Puuripadruni mutter
- Mutrivõti nr 13
- Külgkäepideme moodul
- Makita algupärane aku ja laadija

MÄRKUS:

- Mõned nimekirjas loetletud tarvikud võivad kuuluda standardvarustusse ning need on lisatud tööriista pakendisse. Need võivad riikide lõikes erineda.

ТЕХНИЧЕСКИЕ ХАРАКТЕРИСТИКИ

Модель	DGD800	DGD801
Размер цангового патрона	6 мм или 6,35 мм (1/4")	
Макс. диаметр дискового наконечника	36 мм	
Максимальная длина крепежной оправки (хвостовика)	46 мм	
Число оборотов без нагрузки (n_0) / Номинальная скорость (n)	26 000 (мин ⁻¹)	
Общая длина	402 мм	307 мм
Вес нетто	2,0 кг	1,7 кг
Номинальное напряжение	18 В пост. Тока	

- Благодаря нашей постоянно действующей программе исследований и разработок, указанные здесь технические характеристики могут быть изменены без предварительного уведомления.
- Технические характеристики и аккумуляторный блок могут отличаться в зависимости от страны.
- Масса (с аккумуляторным блоком) в соответствии с процедурой EPTA 01.2003

Назначение

Данный инструмент предназначен для шлифовки изделий из черных металлов или удаления заусенцев с отливок.

Шум

Типичный уровень взвешенного звукового давления (A), измеренный в соответствии с EN60745:

Уровень звукового давления (L_{pA}): 72 дБ (A)

Погрешность (K): 3 дБ (A)

Уровень шума при выполнении работ может превышать 80 дБ (A).

Используйте средства защиты слуха

Вибрация

Суммарное значение вибрации (сумма векторов по трем осям) определяется по следующим параметрам EN60745:

Модель DGD800

Рабочий режим: шлифовка поверхности

Распространение вибрации ($a_{h,SG}$): 6,5 м/с²

Погрешность (K): 1,5 м/с²

Модель DGD801

Рабочий режим: шлифовка поверхности

Распространение вибрации ($a_{h,SG}$): 2,5 м/с² или менее

Погрешность (K): 1,5 м/с²

ПРИМЕЧАНИЕ: Заявленное значение распространения вибрации измерено в соответствии со стандартной методикой испытаний и может быть использовано для сравнения инструментов.

ПРИМЕЧАНИЕ: Заявленное значение распространения вибрации можно также использовать для предварительных оценок воздействия.

⚠ОСТОРОЖНО: Распространение вибрации во время фактического использования электроинструмента может отличаться от заявленного значения в зависимости от способа применения инструмента.

⚠ОСТОРОЖНО: Обязательно определите меры безопасности для защиты оператора, основанные на оценке воздействия в реальных условиях использования (с учетом всех этапов рабочего цикла, таких как выключение инструмента, работа без нагрузки и включение).

Только для европейских стран

Декларация о соответствии ЕС

Makita заявляет, что следующее устройство (устройства):

Обозначение устройства:

Аккумуляторная Прямая Шлифовальная Машина

Модель / тип: DGD800, DGD801

Соответствует (нет) следующим директивам ЕС:
2006/42/ЕС

Изготовлены в соответствии со следующим стандартом или нормативными документами:

EN60745

Технический файл в соответствии с документом 2006/42/ЕС доступен по адресу:

Makita, Jan-Baptist Vinkstraat 2, 3070, Belgium

10.11.2015



Ясуси Фукайа (Yasushi Fukaya)

Директор

Makita, Jan-Baptist Vinkstraat 2, 3070, Belgium

Общие рекомендации по технике безопасности для электроинструментов

⚠ПРЕДУПРЕЖДЕНИЕ Ознакомьтесь со всеми инструкциями и рекомендациями по технике безопасности. Невыполнение инструкций и рекомендаций может привести к поражению электротоком, пожару и/или тяжелым травмам.

Сохраните брошюру с инструкциями и рекомендациями для дальнейшего использования.

ПРАВИЛА ТЕХНИКИ БЕЗОПАСНОСТИ ПРИ ЭКСПЛУАТАЦИИ АККУМУЛЯТОРНОЙ ПРЯМОЙ ШЛИФОВАЛЬНОЙ МАШИНЫ

Правила техники безопасности при работе со шлифовальным кругом:

1. Данный электроинструмент предназначен для использования в качестве шлифовального круга. Ознакомьтесь со всеми предупреждениями, инструкциями, иллюстрациями и спецификациями, прилагаемыми к данному инструменту. Несоблюдение всех инструкций, указанных ниже, может привести к поражению электрическим током, пожару и/или серьезной травме.
2. Не рекомендуется применять этот инструмент для выполнения таких операций, как шлифовка наждачной бумагой, очистка проволочной щёткой, полировка или отрезание. Использование инструмента не по прямому назначению может привести к опасной ситуации и стать причиной травмы.
3. Не используйте принадлежности других производителей, не рекомендованные производителем данного инструмента. Даже если принадлежность удастся закрепить на инструменте, это не обеспечит безопасность эксплуатации.
4. Номинальная скорость принадлежностей должна быть как минимум равна максимальной скорости, обозначенной на инструменте. При превышении номинальной скорости принадлежности последняя может разломиться на части.
5. Наружный диаметр и толщина принадлежности должны находиться в пределах рабочего диапазона электроинструмента. Управление принадлежностью ненадлежащего размера невозможно.
6. Размер оправки принадлежности должен в точности соответствовать цанге электроинструмента. Принадлежности, не соответствующие монтажному креплению электроинструмента, приведут к разбалансировке, сильной вибрации и потере контроля.
7. Принадлежности, устанавливаемые на крепежную оправку, следует полностью вставить в цангу или зажимной патрон. Если крепежная оправка затянута недостаточно или свес диска слишком большой, установленная принадлежность может высвободиться и будет выброшена с большой скоростью.
8. Не используйте поврежденные принадлежности. Перед каждым использованием осматривайте принадлежности (например, абразивный круг) на предмет сколов и трещин. Если вы уронили инструмент или принадлежность, осмотрите их на предмет повреждений или установите исправную принадлежность. После осмотра и установки принадлежности встаньте в безопасном положении от плоскости вращения принадлежности (и проследите, чтобы это сделали окружающие) и включите инструмент на максимальной скорости без нагрузки на одну минуту. Поврежденная принадлежность обычно ломается в течение пробного периода.

9. Надевайте индивидуальные средства защиты. В зависимости от выполняемых операций используйте защитную маску, защитные очки различных типов. При необходимости надевайте респиратор, средство защиты органов слуха, перчатки и защитный передник для защиты от небольших частиц абразивных материалов или детали. Средства защиты зрения должны предохранять от летящих фрагментов, появляющихся при выполнении различных операций. Пылезащитная маска или респиратор должны обеспечивать фильтрацию пыли, возникающей во время работы. Продолжительное воздействие сильного шума может стать причиной потери слуха.
10. Посторонние должны находиться на безопасном расстоянии от рабочего места. Любой приближающийся к рабочему месту должен предупредительно надеть индивидуальные средства защиты. Осколки заготовки или сломавшейся принадлежности могут разлететься и причинить травму даже на значительном удалении от рабочего места.
11. Если при выполнении работ существует риск контакта режущего инструмента со скрытой электропроводкой, держите электроинструмент только за специально предназначенные изолированные поверхности. Контакт с проводом под напряжением приведет к тому, что металлические детали инструмента также будут под напряжением, что приведет к поражению оператора электрическим током.
12. Во время включения обязательно крепко удерживайте инструмент. Реактивный вращающий момент электродвигателя при ускорении может вызвать проворачивание инструмента.
13. По возможности используйте зажимы для закрепления заготовки. Запрещается во время работы держать небольшую заготовку одной рукой, а инструмент другой. Зажатие небольшой детали освободит обе руки для управления инструментом. Круглый материал, такой как штыри, трубы или трубы, во время разрезания имеют тенденцию к вращению. В результате насадка может быть заклинена или отброшена в сторону оператора.
14. Не кладите инструмент, пока принадлежность полностью не остановится. Вращающаяся насадка может коснуться поверхности, и вы не удержите инструмент.
15. После смены насадки или регулировок проверьте надежность затяжки цангового устройства, патрона или другого регулировочного устройства. Незакрепленные регулировочные устройства могут неожиданно сместиться, вызвав потерю контроля, а ослабленные вращающиеся детали могут быть выброшены с большой силой.
16. Не включайте инструмент во время переноски. Случайный контакт с вращающейся принадлежностью может привести к защемлению одежды и притягиванию принадлежности к телу.
17. Регулярно прочищайте вентиляционные отверстия инструмента. Вентилятор электродвигателя засасывает пыль внутрь корпуса, а значительные отложения металлической пыли могут привести к поражению электрическим током.
18. Не используйте инструмент вблизи горючих материалов. Эти материалы могут воспламениться от искр.

19. Не используйте принадлежности, требующие жидкостного охлаждения.

Использование воды или других охлаждающих жидкостей может привести к поражению электротоком.

Отдача и соответствующие предупреждения

Отдача – это неожиданная реакция зажатой или прихваченной принадлежности. Застывание или застопоривание вызывает резкую остановку вращающейся принадлежности, что, в свою очередь, приводит к неконтролируемому рывку электроинструмента в направлении, противоположном вращению принадлежности. Например, если абразивный диск застопорится или застрянет в заготовке, край диска, входящий в точку заклинивания, может врезаться в поверхность материала, в результате чего диск поведет кверху или отбросит. Диск может совершить рывок в направлении оператора или обратно, в зависимости от направления перемещения диска в точке заклинивания. В такой ситуации абразивные диски могут даже сломаться.

Отдача – это результата неправильного использования электроинструмента и/или неправильных процедур или условий эксплуатации. Ее можно избежать, соблюдая предосторожности, указанные ниже.

- Все время надежно удерживайте электроинструмент; становитесь так, чтобы противостоять силе отдачи.** Если принять необходимые меры предосторожности, оператор может контролировать силу отдачи.
- Соблюдайте особую осторожность при обработке углов, острых краев и т. п. Не допускайте ударов и застревания насадки.** Углы, острые края и удары способствуют прихватуванию вращающейся насадки, которое приводит к выходу из-под контроля или отдаче.
- Не прикрепляйте дисковую пилу.** Такие пилы часто дают отдачу и вызывают потерю контроля.
- Обязательно вводите насадку в материал в том же направлении, в котором режущий край выходит из материала (в этом же направлении выбрасываются стружки).** Ввод инструмента в неправильном направлении приведет к тому, что режущий край насадки будет выброшен из заготовки, и инструмент поведет в направлении подачи.

Особые правила техники безопасности при работе со шлифовальным кругом:

- Используйте диски только рекомендованных типов для вашего электроинструмента и только по прямому назначению.

Дополнительные предупреждения по безопасности:

- Инструмент предназначен для использования с абразивными дисковыми наконечниками (шлифовальными камнями), неподвижно закрепленными на плоской, нерезьбовой крепежной оправке (хвостовике).
- Перед включением выключателя убедитесь, что диск не касается детали.
- Перед тем как использовать инструмент для фактических работ, дайте ему немного поработать холостую. Следите за вращением или биением, которые могут свидетельствовать о неправильной установке или плохой балансировке диска.
- Для выполнения шлифовки пользуйтесь соответствующей поверхностью диска.

- Следите за образующимися искрами. Держите инструмент таким образом, что искры были направлены от вас, других лиц или горючих материалов.
- Не оставляйте работающий инструмент без присмотра. Включайте инструмент только тогда, когда он находится в руках.
- Сразу после окончания работ не прикасайтесь к обработанной детали. Она может быть очень горячей, что приведет к ожогам кожи.
- Соблюдайте инструкции изготовителя по правильной установке и использованию дисков. Бережно обращайтесь с дисками и аккуратно храните их.
- Убедитесь, что обрабатываемая деталь имеет надлежащую опору.
- Если в месте выполнения работ очень высокая температура и влажность или в ней содержится большое количество токопроводящей пыли, используйте прерыватель цепи (30 мА) для обеспечения безопасности работ.
- Не используйте инструмент на любых материалах, содержащих асбест.
- При выполнении работ всегда занимайте устойчивое положение. При использовании инструмента на высоте убедитесь в отсутствии людей внизу.

СОХРАНИТЕ ДАННЫЕ ИНСТРУКЦИИ.

⚠ОСТОРОЖНО: НЕ ДОПУСКАЙТЕ, чтобы удобство или опыт эксплуатации данного устройства (полученный от многократного использования) доминировали над строгим соблюдением правил техники безопасности при обращении с этим устройством. НЕПРАВИЛЬНОЕ ИСПОЛЬЗОВАНИЕ инструмента или несоблюдение правил техники безопасности, указанных в данном руководстве, может привести к тяжелой травме.

ВАЖНЫЕ ИНСТРУКЦИИ ПО ТЕХНИКЕ БЕЗОПАСНОСТИ

ДЛЯ АККУМУЛЯТОРНОГО БЛОКА

- Перед использованием аккумуляторного блока прочитайте все инструкции и предупреждающие надписи на (1) зарядном устройстве, (2) аккумуляторном блоке и (3) инструменте, работающем от аккумуляторного блока.
- Не разбирайте аккумуляторный блок.
- Если время работы аккумуляторного блока значительно сократилось, немедленно прекратите работу. В противном случае, может возникнуть перегрев блока, что приведет к ожогам и даже к взрыву.
- В случае попадания электролита в глаза, промойте их обильным количеством чистой воды и немедленно обратитесь к врачу. Это может привести к потере зрения.

5. Не замыкайте контакты аккумулятораного блока между собой:
- (1) Не прикасайтесь к контактам какими-либо токопроводящими предметами.
 - (2) Не храните аккумуляторный блок в контейнере вместе с другими металлическими предметами, такими как гвозди, монеты и т. п.
 - (3) Не допускайте попадания на аккумуляторный блок воды или дождя.

Замыкание контактов аккумулятораного блока между собой может привести к возникновению большого тока, перегреву, возможным ожогам и даже разрыву блока.

6. Не храните инструмент и аккумуляторный блок в местах, где температура может достигать или превышать 50°C (122°F).
7. Не бросайте аккумуляторный блок в огонь, даже если он сильно поврежден или полностью вышел из строя. Аккумуляторный блок может взорваться под действием огня.
8. Не роняйте и не ударяйте аккумуляторный блок.
9. Не используйте поврежденный аккумуляторный блок.
10. На содержащиеся в устройстве литий-ионные аккумуляторы распространяются требования законодательства об опасных грузах. В случае коммерческих перевозок, например третьими сторонами, транспортно-экспедиционными агентствами, необходимо соблюдать требования к упаковке и маркировке. При подготовке объекта транспортировки обязательна консультация с экспертом по опасным материалам. Необходимо также соблюдать национальные правила и нормы, которые могут быть более детальными. Изолируйте или заклеивайте скотчем открытые контакты и упаковывайте аккумулятор так, чтобы он не перемещался внутри упаковки.
11. Выполняйте требования местного законодательства относительно утилизации аккумулятораного блока.

СОХРАНИТЕ ДАННЫЕ ИНСТРУКЦИИ.

⚠ПРЕДУПРЕЖДЕНИЕ: Используйте только оригинальные аккумуляторы Makita.

Использование неоригинальных аккумуляторов Makita либо аккумуляторов, в конструкцию которых были внесены изменения, может привести к взрыву аккумулятора, пожару, травмам и повреждению имущества. Кроме того, это приведет к аннулированию гарантии на инструмент и зарядное устройство Makita.

Советы по обеспечению максимального срока службы аккумулятораного блока

1. Заряжайте аккумуляторный блок до того, как он полностью разрядится. В случае потери мощности при эксплуатации инструмента, прекратите работу и зарядите аккумуляторный блок.
2. Никогда не заряжайте полностью заряженный аккумуляторный блок. Перезарядка сокращает срок службы блока.

3. Заряжайте аккумуляторный блок при комнатной температуре в пределах от 10°C до 40°C (от 50°F до 104°F). Перед зарядкой дайте горячему аккумуляторному блоку остыть.
4. Заряжайте аккумуляторный блок, если он не используется в течение длительного времени (более шести месяцев).

ОПИСАНИЕ ФУНКЦИОНИРОВАНИЯ

⚠ВНИМАНИЕ:

- Перед регулировкой или проверкой функционирования всегда отключайте инструмент и вынимайте блок аккумуляторов.

Установка или снятие блока аккумулятора

► Рис.1: 1. Кнопка 2. Красный индикатор 3. Блок аккумулятора

⚠ВНИМАНИЕ:

- Обязательно выключайте инструмент перед установкой и извлечением аккумулятораного блока.
- При установке или снятии аккумулятораного блока надежно удерживайте инструмент и аккумуляторный блок. Иначе инструмент или аккумуляторный блок могут выскользнуть из рук, что может привести к травмам или повреждению инструмента и аккумулятораного блока.

Для снятия аккумулятораного блока нажмите кнопку на лицевой стороне и извлеките блок. Для установки аккумулятораного блока совместите выступ блока с пазом в корпусе и задвиньте его на место. Устанавливайте блок до упора так, чтобы он зафиксировался на месте с небольшим щелчком. Если вы можете видеть красный индикатор на верхней части клавиши, аккумуляторный блок не полностью установлен на месте.

⚠ВНИМАНИЕ:

- Обязательно устанавливайте аккумуляторный блок до конца, чтобы красный индикатор не был виден. В противном случае аккумуляторный блок может выпасть из инструмента и нанести травму вам или другим людям.
- Не прилагайте чрезмерных усилий при установке аккумулятораного блока. Если блок не двигается свободно, значит он вставлен неправильно.

Система защиты аккумулятора

На инструменте предусмотрена система защиты аккумулятора. Она автоматически отключает питание двигателя для продления срока службы аккумулятора. Инструмент автоматически остановится во время работы при возникновении указанных ниже ситуаций:

- Перегрузка: Из-за способа эксплуатации инструмент потребляет очень большое количество тока. В этом случае выключите инструмент и прекратите использование, повлекшее перегрузку инструмента. Затем снова включите инструмент, чтобы возобновить работу. Если инструмент не включается, значит, перегрелся аккумуляторный блок. В этом случае дайте ему остыть перед повторным включением инструмента.
- Низкое напряжение аккумуляторной батареи: Уровень оставшегося заряда аккумулятора слишком низкий и инструмент не работает. В этом случае снимите и зарядите аккумуляторный блок.

ПРИМЕЧАНИЕ: Защита от перегрева работает только на аккумуляторных блоках со звездочкой.

► Рис.2: 1. Звездочка

Индикация оставшегося заряда аккумулятора

(Только для блоков аккумуляторов с буквой "В" в конце номера модели.)

► Рис.3: 1. Лампы индикатора 2. Кнопка «CHECK» (Проверка)

Нажмите кнопку проверки на блоке аккумуляторов для проверки заряда. Индикаторы включатся на несколько секунд.

Лампы индикатора			Заряд батареи
Горит	Выкл.	Мигает	
■ ■ ■ ■			от 75 % до 100 %
■ ■ ■ □			от 50 % до 75 %
■ ■ □ □			от 25 % до 50 %
■ □ □ □			от 0 % до 25 %
▣ □ □ □			Зарядите аккумуляторную батарею.
■ ■ □ □	□ □		Возможно, аккумуляторная батарея неисправна.
□ □ ■ ■			

ПРИМЕЧАНИЕ:

- В зависимости от условий эксплуатации и температуры окружающего воздуха индикация может незначительно отличаться от фактического значения.

Действие выключателя

► Рис.4: 1. Ползунковый переключатель

ВНИМАНИЕ:

- Перед установкой блока аккумуляторной батареи в инструмент обязательно убедитесь, что его ползунковый переключатель работает нормально и возвращается в положение "OFF" (ВЫКЛ.) при нажатии на его заднюю часть.
- Переключатель можно заблокировать в положении "ВКЛ" для удобства оператора при продолжительном использовании. Будьте осторожны при блокировке инструмента в положении "ВКЛ" и продолжайте крепко удерживать инструмент.

Для запуска инструмента переведите ползунковый переключатель в положение "I (ВКЛ)". Для непрерывной эксплуатации, нажмите на переднюю часть ползункового переключателя, чтобы заблокировать его.

Для остановки инструмента, нажмите на заднюю часть ползункового переключателя, затем переведите его в положение "O (ВЫКЛ)".

Многофункциональный индикатор

► Рис.5: 1. Индикаторная лампа

На инструменте установлены две индикаторные лампы.

Если блок аккумуляторной батареи установлен в инструмент, а ползунковый переключатель находится в положении "O (OFF)" индикатор быстро мигает приблизительно в течение одной секунды. Если этого не происходит, то неисправен либо блок аккумуляторной батареи, либо индикаторная лампа.

— Защита от перегрузки

- При перегрузке инструмента загорается индикаторная лампа. При снижении нагрузки индикаторная лампа гаснет.
- В том случае, если перегрузка не снижается, и индикаторная лампа горит в течение двух секунд, инструмент выключится. Такой порядок работы позволяет не допустить повреждения электродвигателя и связанных с ним частей.
- В этом случае для повторного включения инструмента установите ползунковый переключатель в положение "O (OFF)", а затем снова переведите его в положение "I (ON)".
- **Сигнал о необходимости замены блока аккумуляторной батареи**
 - При значительном снижении заряда аккумуляторной батареи индикаторная лампа загорается во время работы раньше, чем при достаточном заряде аккумуляторной батареи.

- Функция блокировки случайного включения.
- Даже если блок аккумуляторной батареи устанавливается в инструмент с ползунковым переключателем в положении "I (ON)", инструмент не включится. При этом индикаторная лампа будет медленно мигать, указывая на то, что сработала функция блокировки случайного включения.
- Для включения инструмента сначала подайте ползунковый переключатель в положение "O (OFF)", а затем - снова в положение "I (ON)".

МОНТАЖ

▲ВНИМАНИЕ:

- Перед проведением каких-либо работ с инструментом всегда проверяйте, что инструмент отключен, а блок аккумуляторов снят.

Установка или снятие дискового наконечника

- **Рис.6:** 1. Ключ на 13 2. Абразивный диск 3. Цанговая гайка 4. Ключ на 13

Ослабьте зажимную гайку и установите вал диска в зажимную гайку. Используйте один ключ меньшего размера для удержания шпинделя и другой ключ для надежной затяжки гайки.

Абразивный диск должен устанавливаться на расстоянии не более 10 мм от зажимной гайки. Превышение этого расстояния может привести к вибрации или поломке вала.

- **Рис.7**

Для снятия диска повторите процедуру установки в обратном порядке.

▲ВНИМАНИЕ:

- Пользуйтесь цанговым конусом, размер которого соответствует дисковому наконечнику, который Вы намереваетесь использовать.

ЭКСПЛУАТАЦИЯ

- **Рис.8**

Включите инструмент, не касаясь дисковым наконечником обрабатываемой детали, и подождите, пока дисковый наконечник наберет полную скорость. Затем осторожно приложите дисковый наконечник к обрабатываемой детали. Для достижения хорошей отделки, медленно перемещайте инструмент влево.

▲ВНИМАНИЕ:

- Прилагайте небольшое давление к инструменту. Чрезмерное давление на инструмент приведет только к ухудшению отделки и перегрузке двигателя.

ТЕХОБСЛУЖИВАНИЕ

▲ВНИМАНИЕ:

- Перед проведением проверки или работ по техобслуживанию, всегда проверяйте, что инструмент выключен, а блок аккумуляторов вынут.
- Запрещается использовать бензин, лигроин, растворитель, спирт и т.п. Это может привести к изменению цвета, деформации и появлению трещин.

Замена угольных щеток

- **Рис.9:** 1. Ограничительная метка

Регулярно вынимайте и проверяйте угольные щетки. Заменяйте их, если они изношены до ограничительной отметки. Содержите угольные щетки в чистоте и в свободном для скольжения в держателях положении. При замене необходимо менять обе угольные щетки одновременно. Используйте только одинаковые угольные щетки.

- **Рис.10:** 1. Крышка держателя 2. Отвертка

Вставьте жало отвертки для круглых гаек со шлицем на торце в паз инструмента и снимите крышку держателя, приподняв ее вверх.

- **Рис.11:** 1. Колпачок держателя щетки 2. Отвертка

Используйте отвертку для снятия крышек щеткодержателей. Извлеките изношенные угольные щетки, вставьте новые и закрутите крышки щеткодержателей.

Установите крышку держателя обратно на инструмент.

Для обеспечения БЕЗОПАСНОСТИ и НАДЕЖНОСТИ оборудования, ремонт, любое другое техобслуживание или регулировку необходимо производить в уполномоченных сервис-центрах Makita, с использованием только сменных частей производства Makita.

ДОПОЛНИТЕЛЬНЫЕ ПРИНАДЛЕЖНОСТИ

▲ВНИМАНИЕ:

- Эти принадлежности или насадки рекомендуются использовать вместе с вашим инструментом Makita, описанным в данном руководстве. Использование каких-либо других принадлежностей или насадок может представлять опасность получения травм. Используйте принадлежность или насадку только по указанному назначению.

Если вам необходимо содействие в получении дополнительной информации по этим принадлежностям, свяжитесь со своим местным сервис-центром Makita.

Боковая ручка (дополнительная принадлежность)

- ▶ Рис.12
- ▶ Рис.13
- ▶ Рис.14
- ▶ Рис.15

При использовании боковой ручки снимите резиновую заглушку, до конца вставьте боковую ручку в цилиндрическую часть инструмента и поверните ее под желаемым углом. Затем надежно затяните ручку, вращая ее по часовой стрелке.

⚠ВНИМАНИЕ:

- При использовании инструмента без боковой ручки всегда устанавливайте на место резиновую заглушку.
- При установке резиновой заглушки всегда надвигайте ее на инструмент таким образом, чтобы круглое углубление в верхней части заглушки располагалось рядом с выключателем.

- Дисковые наконечники
- Цанговый конус (3 мм, 6 мм, 8 мм, 1/4", 1/8")
- Зажимная гайка
- Ключ 13
- Комплект боковой рукоятки
- Оригинальный аккумулятор и зарядное устройство Makita

ПРИМЕЧАНИЕ:

- Некоторые элементы списка могут входить в комплект инструмента в качестве стандартных приспособлений. Они могут отличаться в зависимости от страны.

Makita Europe N.V. Jan-Baptist Vinkstraat 2,
3070 Kortenberg, Belgium

Makita Corporation 3-11-8, Sumiyoshi-cho,
Anjo, Aichi 446-8502 Japan

www.makita.com

885292C985
EN, SV, NO, FI, LV,
LT, ET, RU
20170927