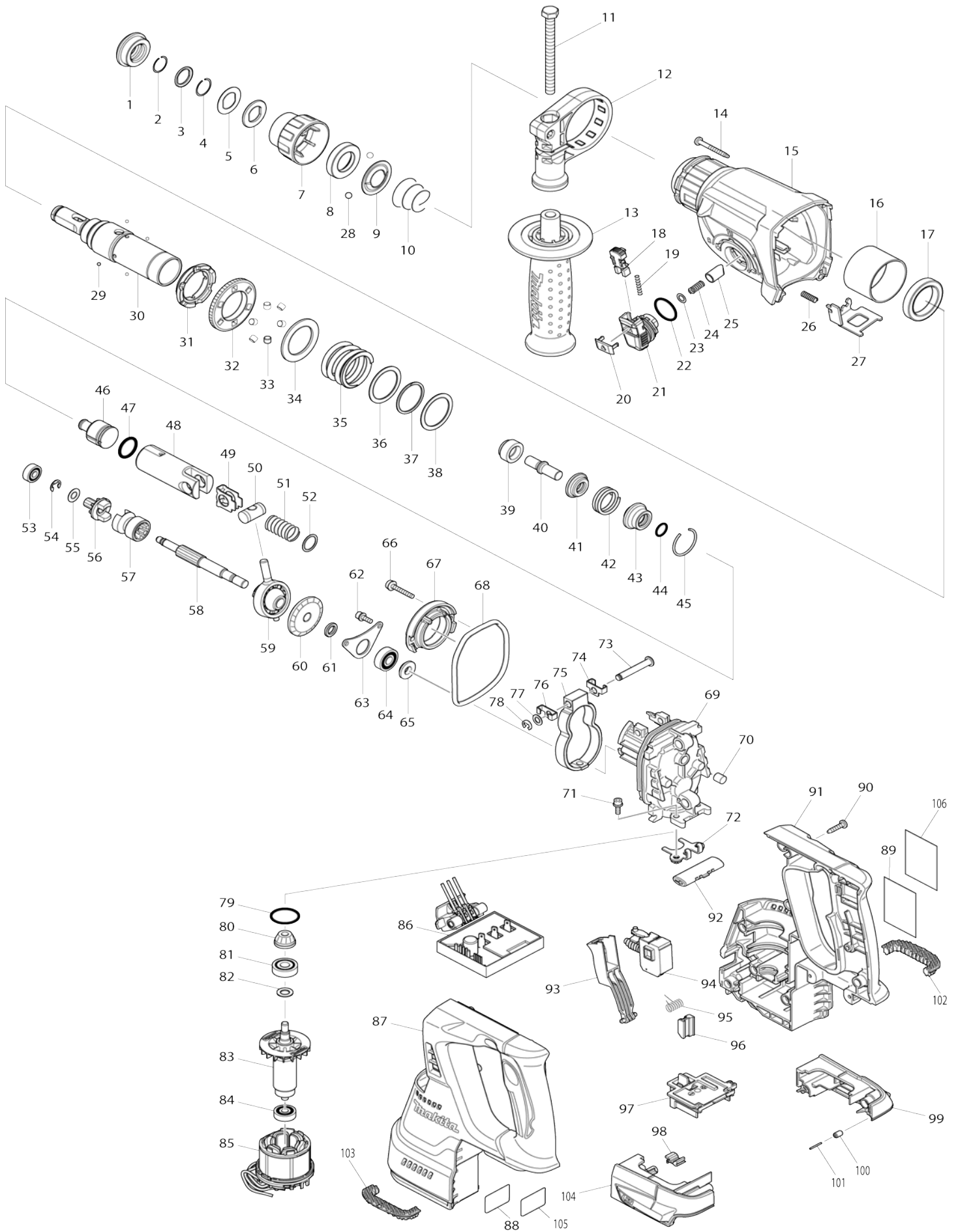


Model No.DHR242 24MM CORDLESS COMBI. HAMMER



Model No.DHR242 24MM CORDLESS COMBI. HAMMER

Item No.	Parts No.	Description	Interchangability	Q'ty	New/Old	Note1	Note2
001	286288-8	CAP 35		1			
002	233989-9	RING SPRING 14		1			
003	346221-3	WASHER 16		1			
004	233992-0	RING SPRING 15		1			
005	267437-6	FLAT WASHER 17		1			
006	424364-2	RUBBER WASHER 16		1			
007	451533-2	CHUCK COVER		1			
008	325813-1	RING 21		1			
009	346177-0	GUIDE WASHER		1			
010	233916-6	CONICAL COMP. SPRING 21-29		1			
011	266745-2	HEX.BOLT M8X90		1			
012	453129-5	GRIP BASE		1			
013	158057-6	GRIP 36 COMPLETE		1			
014	266351-3	TAPPING SCREW 4X35		4			
015-1	144354-6	GEAR HOUSING COMPLETE		1			
C10	213345-9	OIL SEAL 25		1			
C20	810X86-8	INDICATION LABEL		1			
016	331890-3	CUP SLEEVE		1			
017	211294-4	BALL BEARING 6806LLU		1			
018	454112-5	LOCK BUTTON		1			
019	234264-6	COMPRESSION SPRING 3		1			
020	453131-8	CHANGE LEVER COVER		1			
021	453125-3	CHANGE LEVER		1			
022	213381-5	O RING 21		1			
023	253308-3	THIN WASHER 6		1			
024	234147-0	COMPRESSION SPRING 5		1			
025-1	326850-8	PUSH CORN		1			
026	233360-7	COMPRESSION SPRING 4		1			
027	346537-6	LOCK PLATE		1			
028	216022-2	STEEL BALL 7.0		2			
029	216019-1	STEEL BALL 3		4			
030	140265-3	TOOL HOLDER COMPLETE		1			
031-1	332139-4	DRIVING FLANGE		1			
032-1	227360-7	SPUR GEAR 51		1			
035	234148-8	COMPRESSION SPRING 31		1			
036	267153-0	FLAT WASHER 30		1			
037	257932-4	SPIRO LOCK WASHER 30		1			
038	267153-0	FLAT WASHER 30		1			
039	325783-4	SLEEVE 9B		1			
040	325789-2	IMPACT BOLT A		1			
041	325792-3	WASHER 10		1			
042	234149-6	COMPRESSION SPRING 20		1			
043	325793-1	O-RING CASE B		1			
044	213073-6	O RING 9		1			
045	233979-2	RING SPRING 28		1			
046	326139-4	STRIKER		1			
047	213258-4	O RING 17.5		1			

048	310345-1	PISTON CYLINDER		1		
049	346036-8	GUIDE PLATE		1		
050	324215-8	PISTON JOINT		1		
051	234098-7	COMPRESSION SPRING 14		1		
052	267447-3	FLAT WASHER 14		1		
053	211012-0	BALL BEARING 606ZZ		1		
054	257336-0	STOP RING EXT U-6		1		
055	253186-1	FLAT WASHER 7		1		
056	227231-8	SPUR GEAR 10		1		
057-1	326849-3	CLUTCH CAM A		1		
058	326140-9	CAM SHAFT		1		
059	219020-5	SWASH BEARING 10		1		
060	227588-7	SPIRAL BEVEL GEAR 32		1		
061	257323-9	RING 8		1		
062	922118-6	HEX. SOCKET HEAD BOLT M4X12		2		
063	346038-4	BEARING RETAINER B		1		
064	211032-4	BALL BEARING 608ZZ		1		
065	324212-4	RING 8		1		
066	922147-9	HEX. SOCKET HEAD BOLT M4X25		2		
067	141230-5	INNER SUPPORT COMPLETE		1		
068	213767-3	O-RING 75		1		
069	318810-4	INNER HOUSING		1		
070	443153-6	FELT		1		
071	922118-6	HEX. SOCKET HEAD BOLT M4X12		2		
072	346536-8	BEARING RETAINER A		1		
073	256536-9	FLAT FILLISTER HD PIN 6		1		
074	346538-4	WEIGHT HOLDER GUIDE		1		
075	313224-2	COUNTER WEIGHT		1		
076	346538-4	WEIGHT HOLDER GUIDE		1		
077	253726-5	FLAT WASHER 6		1		
078	961018-5	STOP RING E-5		1		
079	213008-7	O RING 22.4		1		
080	141458-5	SPIRAL BEVEL GEAR 11 COMPLETE		1		
081	210024-0	BALL BEARING 608LLU		1		
082	253835-0	FLAT WASHER 8		1		
083	619293-4	ROTOR		1	*	
083-1	619737-4	ROTOR	S	1		
D10		INC. 80-82,84				
084	210022-4	BALL BEARING 626DDW		1		
085-2	529187-4	STATOR ASS'Y		1		
086	620241-8	CONTROLLER		1	*	
086-1	620G68-8	CONTROLLER	<	1		
087-2	183C02-0	HOUSING SET		1	*	
D10		INC. 91				
087-3	183C02-0	HOUSING SET	O	1		
D10		INC. 91				
088	815B57-8	DHR242 SERIAL NO. LABEL		1		
089	815A38-6	DHR242 NAME PLATE		1		
090	266326-2	TAPPING SCREW 4X18		10	*	
090-1	266326-2	TAPPING SCREW 4X18	O	10		
091-2	183C02-0	HOUSING SET		1	*	

D10		INC. 87				
091-3	183C02-0	HOUSING SET	O	1		
D10		INC. 87				
092	453124-5	F/R CHANGE LEVER		1		
093	453123-7	SWITCH LEVER		1		
094	650709-0	SWITCH C3JW-1A-P		1		
095	233598-4	TORSION SPRING 6		1		
096	313226-8	OPENER		1		
097	644808-8	TERMINAL		1		
098	424476-1	CUSHION		1		
099	187377-1	BATTERY HOUSING SET		1		
C10	263005-3	RUBBER PIN 6		2		
D10		INC. 104				
100	263036-2	RUBBER PIN 5		1		
101	268184-2	PIN 1.5		1		
102	424473-7	CUSHION RUBBER		1		
103	424473-7	CUSHION RUBBER		1		
104	187377-1	BATTERY HOUSING SET		1		
C10	263005-3	RUBBER PIN 6		2		
D10		INC. 99				
105	893072-0	CLEAR LABEL		1		
106	890994-5	CLEAR LABEL		1	*	
107	424734-5	SPONGE		2		
A01	324219-0	DEPTH GAUGE		1		
A02	***DC18RC	DC18RC FAST CHARGER		1		
A03-2	197600-6	BATTERY BL1830B SET		2	*	
A03-3	197600-6	BATTERY BL1830B SET	O	2		
A04	450128-8	BATTERY COVER		1		
A05	140H96-8	PLASTIC CASE COMPLETE		1		
C10	162271-8	LATCH		2		
C20	890904-2	INDICATION LABEL		1		
A06-1	819D57-2	DHR242RFEW PLASTIC CASE LABEL		2		
A07	***DX06	DUST EXTRACTION SYSTEM		1		
D10		COMPO-PARTS				
D20		INC. A08				
A08	424474-5	SEALING CAP		5	*	
A08-1	422784-4	SEALING CAP	X	5		
B01	195833-7	HAMMER SERVICE KIT		1		
C10	195127-0	OIL VESSEL SET		2		
D10		INC. 1,2,4,6,28,44,45,47				
F38-3	197606-4	BATTERY BL1830B SET (2PIECES)	O	1		
F47	195899-7	DUST EXTRACTION SYSTEM SET		1		
F48-1	199977-5	DUST CASE SET	O	1		
F50-1	199557-7	FILTER SET	O	1		
F52-3	197267-0	BATTERY BL1840B SET	O	1		
F53-3	197265-4	BATTERY BL1840B SET	O	1		
F54-3	197273-5	BATTERY BL1840B SET(2PIECES)	O	1		
F64	199564-0	DX06DUST EXTRACTION SYSTEM SET		1		
015	141229-0	GEAR HOUSING COMPLETE		1	*	
C10	213345-9	OIL SEAL 25		1	*	

C20	890903-4	INDICATION LABEL		1	*		
025	325785-0	PUSH CORN		1	*		
031	313149-0	DRIVING FLANGE		1	*		
032	227232-6	SPUR GEAR 51		1	*		
033	268226-2	PIN 6		6	*		
034	267414-8	FLAT WASHER 30		1	*		
057	331814-9	CLUTCH CAM A		1	*		
085	629922-1	STATOR		1	*		
085-1	529922-0	STATOR ASS'Y	<	1	*		
087	187687-6	HOUSING SET		1	*		
D10		INC. 91					
087-1	183A34-5	HOUSING SET	<	1	*		
D10		INC. 91					
091	187687-6	HOUSING SET		1	*		
D10		INC. 87					
091-1	183A34-5	HOUSING SET	<	1	*		
D10		INC. 87					
A03	194204-5	BATTERY BL1830 SET		2	*		
A03-1	194204-5	BATTERY BL1830 SET	O	2	*		
A05	141401-4	PLASTIC CASE COMPLETE		1			
A06	802L23-4	DHR242RFE PLASTIC CASE LABEL		2	*		
A06-1	802L12-9	DHR242RFE PLASTIC CASE LABEL	<	2			
014-1	265B69-5	TAPPING SCREW 4X35	O	4			
029-1	216061-2	STEEL BALL 3	O	4			
A05	141402-2	PLASTIC CASE COMPLETE		1	*		
A05-1	140H96-8	PLASTIC CASE COMPLETE	<	1			
C10	162271-8	LATCH		2			
C20	890904-2	INDICATION LABEL		1			
A06	802L26-8	DHR242RFEV PLASTIC CASE LABEL		2	*		
A06-1	810L73-5	DHR242RFEV PLASTIC CASE LABEL	<	2			
A07	***DX01	DUST EXTRACTION SYSTEM		1			
A05	821552-6	CONNECTOR PLASTIC CASE (TYPE4)		1			
C10	453974-8	LATCH		4			
A06	837677-6	INNER TRAY		1	*		
A06-1	835A31-4	INNER TRAY	S	1			
A07	802L13-7	DHR242RFJ PLASTIC CASE LABEL		2			
A08	802L33-1	DHR242RFJ INDICATION LABEL		1			
A11	837349-3	SPONGE 50-50	S	1			
A02	821552-6	CONNECTOR PLASTIC CASE (TYPE4)		1			
C10	453974-8	LATCH		4			
A03	837677-6	INNER TRAY		1	*		
A03-1	835A31-4	INNER TRAY	S	1			
A04	802L14-5	DHR242ZJ PLASTIC CASE LABEL		2			
A05	802L34-9	DHR242ZJ INDICATION LABEL		1			
A07	802L15-3	DHR242RFJV PLASTIC CASE LABEL		2			
A08	802L35-7	DHR242RFJV INDICATION LABEL		1			
A09	***DX01	DUST EXTRACTION SYSTEM		1			
D10		COMPO-PARTS					

D20		INC. A10					
A10	424474-5	SEALING CAP		5	*		
A10-1	422784-4	SEALING CAP	X	5			
A03	196399-0	BATTERY BL1840 SET		2	*		
A03-1	196399-0	BATTERY BL1840 SET	O	2	*		
A03-2	197265-4	BATTERY BL1840B SET	<	2	*		
A03-3	197265-4	BATTERY BL1840B SET	O	2			
A06	802L17-9	DHR242RME PLASTIC CASE LABEL		2	*		
A06-1	802L16-1	DHR242RME PLASTIC CASE LABEL	<	2			
A07	802L18-7	DHR242RMJ PLASTIC CASE LABEL		2			
A08	802L36-5	DHR242RMJ INDICATION LABEL		1			
A07	802L29-2	DHR242RMJV PLASTIC CASE LABEL		2			
A08	802K98-7	DHR242RMJV INDICATION LABEL		1			
A03	196671-0	BATTERY BL1850 SET		2	*		
A03-1	196671-0	BATTERY BL1850 SET	O	2	*		
A03-2	197280-8	BATTERY BL1850B SET	<	2	*		
A03-3	197280-8	BATTERY BL1850B SET	O	2			
A06	804J02-6	DHR242RTE PLASTIC CASE LABEL		2			
A07	804J04-2	DHR242RTJ PLASTIC CASE LABEL		2	*		
A08	804J03-4	DHR242RTJ INDICATION LABEL		1			
A07	806F03-6	DHR242RTJV PLASTIC CASE LABEL		2			
A08	806F02-8	DHR242RTJV INDICATION LABEL		1			
A04	817W65-1	DHR242ZJV PLASTIC CASE LABEL		2			
A05	806J35-7	DHR242ZJV INDICATION LABEL		1			
A07	818X64-2	DHR242RFJW PLASTIC CASE LABEL		2			
A08	818X65-0	DHR242RFJW INDICATION LABEL		1			
A09	***DX06	DUST EXTRACTION SYSTEM		1			
A07	818X78-1	DHR242RMJW PLASTIC CASE LABEL		2			
A08	818X79-9	DHR242RMJW INDICATION LABEL		1			
A07	818X80-4	DHR242RTJW PLASTIC CASE LABEL		2	*		
A08	818X81-2	DHR242RTJW INDICATION LABEL		1			
A04	818X83-8	DHR242ZJW PLASTIC CASE LABEL		2	*		
A05	818X82-0	DHR242ZJW INDICATION LABEL		1			

Please state Parts No. when your order.

Print Date 24/10/2023