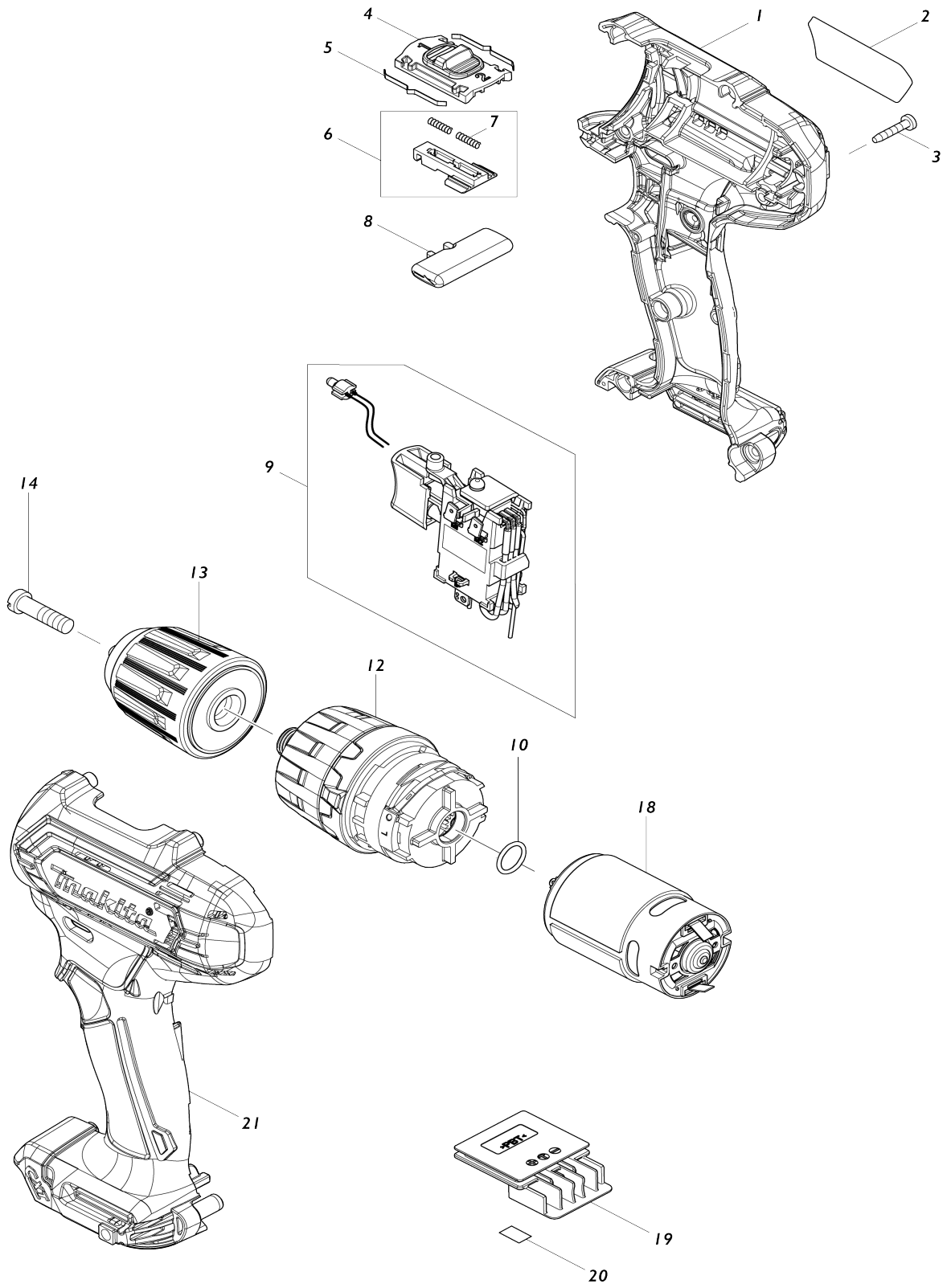


# Model No.HP333D CORDLESS HAMMER DRIVER DRILL



**Model No.HP333D CORDLESS HAMMER DRIVER DRILL**

Item No.	Parts No.	Description	Interchangeability	Q'ty	New/Old	Note1	Note2
001	183K90-5	HOUSING SET		1			
C10	252126-6	HEX. LOCK NUT M4-7		2			
D10		INC. 21					
002	855E12-6	HP333D NAME PLATE		1			
003	266429-2	TAPPING SCREW 3X16		9			
004	459026-3	SPEED CHANGE LEVER		1	*		
004-1	413F37-8	SPEED CHANGE LEVER	S	1			
005	232493-5	LEAF SPRING		2			
006	127127-2	CHANGE LEVER ASSEMBLY		1	*		
D10		INC. 7					
006-1	122B84-1	CHANGE LEVER ASSEMBLY	S	1			
D10		INC. 7					
007	233025-1	COMPRESSION SPRING 2		2			
008	456039-5	F/R CHANGE LEVER		1			
009	632J76-5	SWITCH UNIT		1			
C10	620625-0	LED CIRCUIT		1			
C20	688161-2	LINE FILTER		1			
010	213176-6	O RING 14		1			
012	127124-8	GEAR ASSEMBLY		1	*		
012-1	122C95-2	GEAR ASSEMBLY	<	1			
013	763238-5	KEYLESS DRILL CHUCK 10		1			
014	251468-5	- FLAT HEAD SCREW M6X22		1			
018	629395-8	DC MOTOR		1			
019	644813-5	TERMINAL		1			
020	855E19-2	HP333D SERIAL NO. LABEL		1			
021	183K90-5	HOUSING SET		1			
C10	252126-6	HEX. LOCK NUT M4-7		2			
D10		INC. 1					
A01	251314-2	+ SCREW M4X12		1			
A02	346909-5	HOOK		1			
A03	784244-7	+ BIT 2-50		1			
E01	632N11-7	LINE FILTER UNIT		1			
A04	821661-1	PLASTIC CARRYING CASE		1			
C10	417724-5	LATCH		2			
A05	818P54-7	HP333DWAE MODEL NO. LABEL		1			
A08	456128-6	BATTERY COVER		1			
A09	***DC10WD	DC10WD BATTERY CHARGER		1			
D10		COMPO-PARTS					
A10	197396-9	BATTERY BL1021B SET		2	*		
A10-1	197396-9	BATTERY BL1021B SET	O	2			

Please state Parts No. when your order.

Print Date 24.10.2023