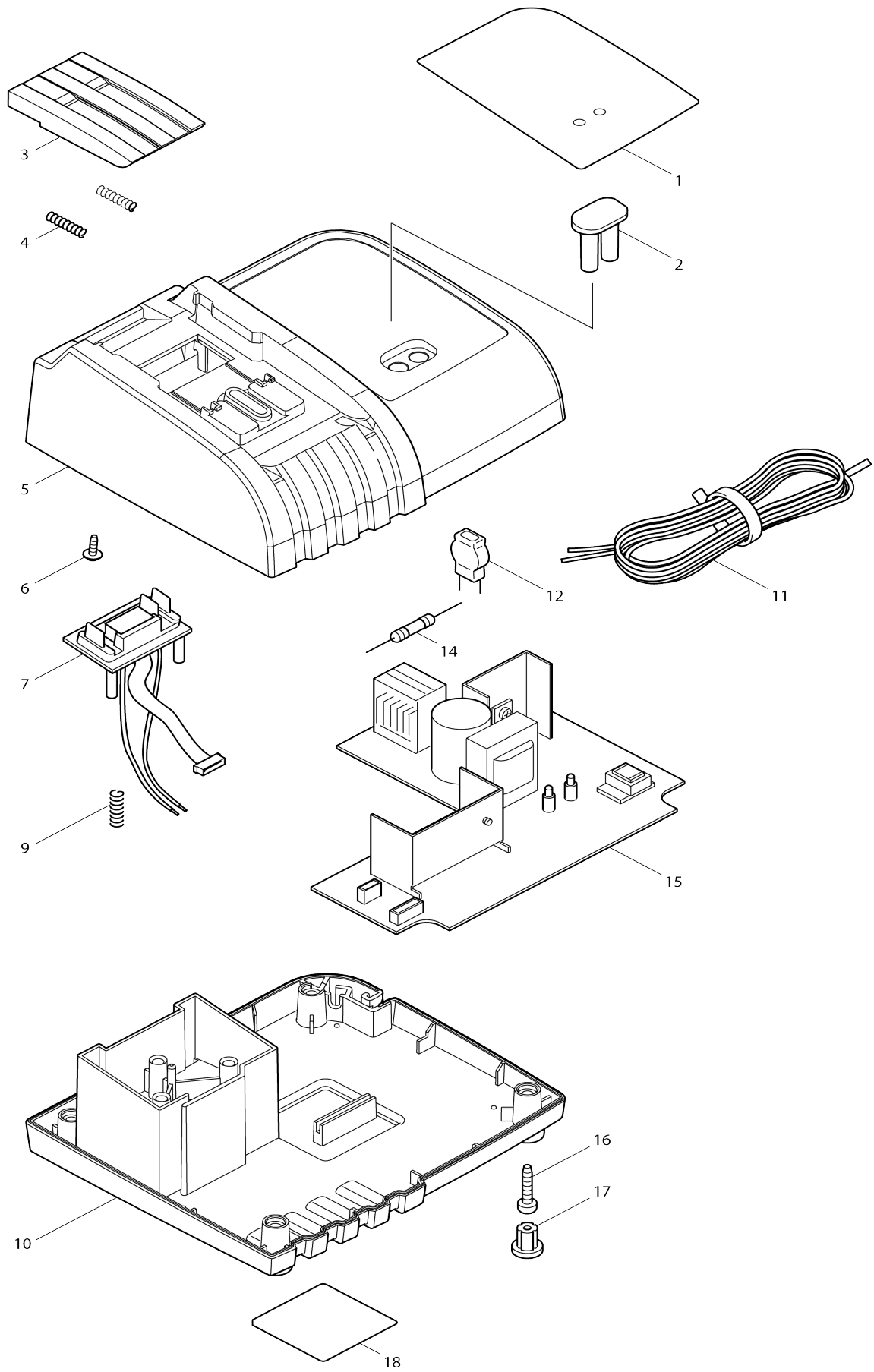


Model No.DC18SD CHARGER



Model No.DC18SD CHARGER

| Item No. | Parts No. | Description | Interchangability | Q'ty | New/Old | Note1 | Note2 |
|----------|-----------|----------------------------------|-------------------|------|---------|-------|-------|
| A01 | 127827-4 | Düse Baugruppe | | 1 | | | |
| A02 | 413859-0 | Spitzdüse | | 1 | | | |
| A03 | 459355-4 | Düsenhalter | | 1 | | | |
| A04 | 459356-2 | Rohr | | 1 | | | |
| C20 | 268208-4 | PIN 3 | | 4 | | | |
| A01 | 127827-4 | Ensemble de buses | | 1 | | | |
| A02 | 413859-0 | Buse plate | | 1 | | | |
| A03 | 459355-4 | Porte-suceur | | 1 | | | |
| A04 | 459356-2 | Tuyau | | 1 | | | |
| F02 | 191496-7 | FLEXIBLE HOSE SET28(IVO) | | 1 | | | |
| F92 | 1911L1-0 | CLEANER STAND SET | | 1 | | | |
| C20 | 268208-4 | Stift 3 | | 4 | | | |
| F02 | 191496-7 | Flexible schlauchleitung | | 1 | | | |
| F92 | 1911L1-0 | Staubsauger-Standfußsatz | | 1 | | | |
| C10 | 451410-8 | Rolle | | 4 | | | |
| C20 | 268208-4 | Stift 3 | | 4 | | | |
| C30 | 424096-1 | Abstreifer | | 1 | * | | |
| C31 | 422963-4 | Abstreifer | O | 1 | | | |
| F09 | 198527-3 | Düse Baugruppe Set | | 1 | | | |
| F92 | 1911L1-0 | Staubsauger-Standfußsatz | | 1 | | | |
| A01 | 123488-8 | Düse Baugruppe | | 1 | | | |
| A02 | 451243-1 | Eckendüse | | 1 | * | | |
| A02-1 | 413859-0 | Spitzdüse | O | 1 | | | |
| A03 | 451244-9 | Rohr | | 1 | | | |
| A04 | 451245-7 | Spitzdüsenhalter | | 1 | | | |
| F92 | 1911L1-0 | Staubsauger-Standfußsatz | | 1 | | | |
| C20 | 268208-4 | Goupille 3 | | 4 | | | |
| F02 | 191496-7 | Jeu de tuyau flexible | | 1 | | | |
| F92 | 1911L1-0 | Ensemble de support de nettoyage | | 1 | | | |
| C10 | 451410-8 | Rouleau | | 4 | | | |
| C20 | 268208-4 | Goupille 3 | | 4 | | | |
| C30 | 424096-1 | Balai | | 1 | * | | |
| C31 | 422963-4 | Balai | O | 1 | | | |
| F09 | 198527-3 | Ensemble d'assemblage de buse | | 1 | | | |
| F92 | 1911L1-0 | Ensemble de support de nettoyage | | 1 | | | |
| A01 | 123488-8 | Ensemble de buses | | 1 | | | |
| A02 | 451243-1 | Suceur plat | | 1 | * | | |
| A02-1 | 413859-0 | Buse plate | O | 1 | | | |
| A03 | 451244-9 | Tuyau | | 1 | | | |
| A04 | 451245-7 | Support de buse plate | | 1 | | | |
| F92 | 1911L1-0 | Ensemble de support de nettoyage | | 1 | | | |
| F01 | 191Y22-2 | TRIANGLE PLATE COMPLETE SET | | 1 | | | |
| F02 | 191Y23-0 | RECTANGLE PLATE COMPLETE SET | | 1 | | | |
| F03 | 191Y24-8 | PAD COMPLETE SET | | 1 | | | |
| | | | | | | | |

| | | | | | | |
|-------|----------|--|---|---|---|--|
| F04 | 191Y25-6 | PAD COMPLETE SET | | 1 | | |
| F09 | 195134-3 | FILTER SET | | 1 | | |
| F01 | 191Y22-2 | Dreiecksplatte-Komplettset | | 1 | | |
| F02 | 191Y23-0 | Rechteckige Platte, Komplettset | | 1 | | |
| F03 | 191Y24-8 | Schleifplatte kpl. | | 1 | | |
| F04 | 191Y25-6 | Schleifplatte kpl. | | 1 | | |
| F09 | 195134-3 | Filter Set | | 1 | | |
| F01 | 191Y22-2 | Ensemble complet de plaques triangulaires | | 1 | | |
| F02 | 191Y23-0 | Ensemble complet de plaques rectangulaires | | 1 | | |
| F03 | 191Y24-8 | Jeu de base complet | | 1 | | |
| F04 | 191Y25-6 | Jeu de base complet | | 1 | | |
| F09 | 195134-3 | Ensemble filtre | | 1 | | |
| 001 | 806355-9 | CHARGING CONDITION LABEL | | 1 | * | |
| 001-1 | 816W96-7 | CHARGING CONDITION LABEL | < | 1 | | |
| 002 | 418175-5 | ACRYLIC PIN | | 1 | | |
| 003 | 419569-7 | TERMINAL COVER | | 1 | * | |
| 003-1 | 455546-5 | TERMINAL COVER | < | 1 | | |
| 004 | 231474-6 | COMPRESSION SPRING 4 | | 2 | | |
| 005 | 158598-2 | CHARGER CASE COMPLETE | | 1 | | |
| D10 | | INC. 2 | | | | |
| 006 | 266278-7 | TAPPING SCREW FLANGE BT3X10 | | 1 | | |
| 007-1 | 638602-8 | TERMINAL UNIT | | 1 | * | |
| 007-2 | 638602-8 | TERMINAL UNIT | O | 1 | | |
| 009 | 233194-8 | COMPRESSION SPRING 4 | | 1 | | |
| 010 | 450346-8 | CHARGER CASE COVER | | 1 | | |
| 011 | 667986-7 | VINYL CORD 0.75-2-2.0 | | 1 | | |
| 012 | 647306-1 | VARISTOR | | 1 | | |
| 014 | 652779-5 | FUSE | | 1 | * | |
| 014-1 | 652779-5 | FUSE | O | 1 | | |
| 015 | 631851-6 | CHARGING CIRCUIT | | 1 | | |
| D10 | | INC. 12,14 | | | | |
| 016 | 266346-6 | TAPPING SCREW BT 4X20 | | 4 | * | |
| 016-1 | 265B01-9 | TAPPING SCREW PT 4X20 | < | 4 | | |
| 017 | 286255-3 | CAP 13 | | 4 | | |
| 018 | 864446-2 | DC18SD NAME PLATE | | 1 | | |
| F17 | 197379-9 | DC18SD BATTERY CHARGER SET | | 1 | | |

Please state Parts No. when your order.

Print Date 05/08/2024