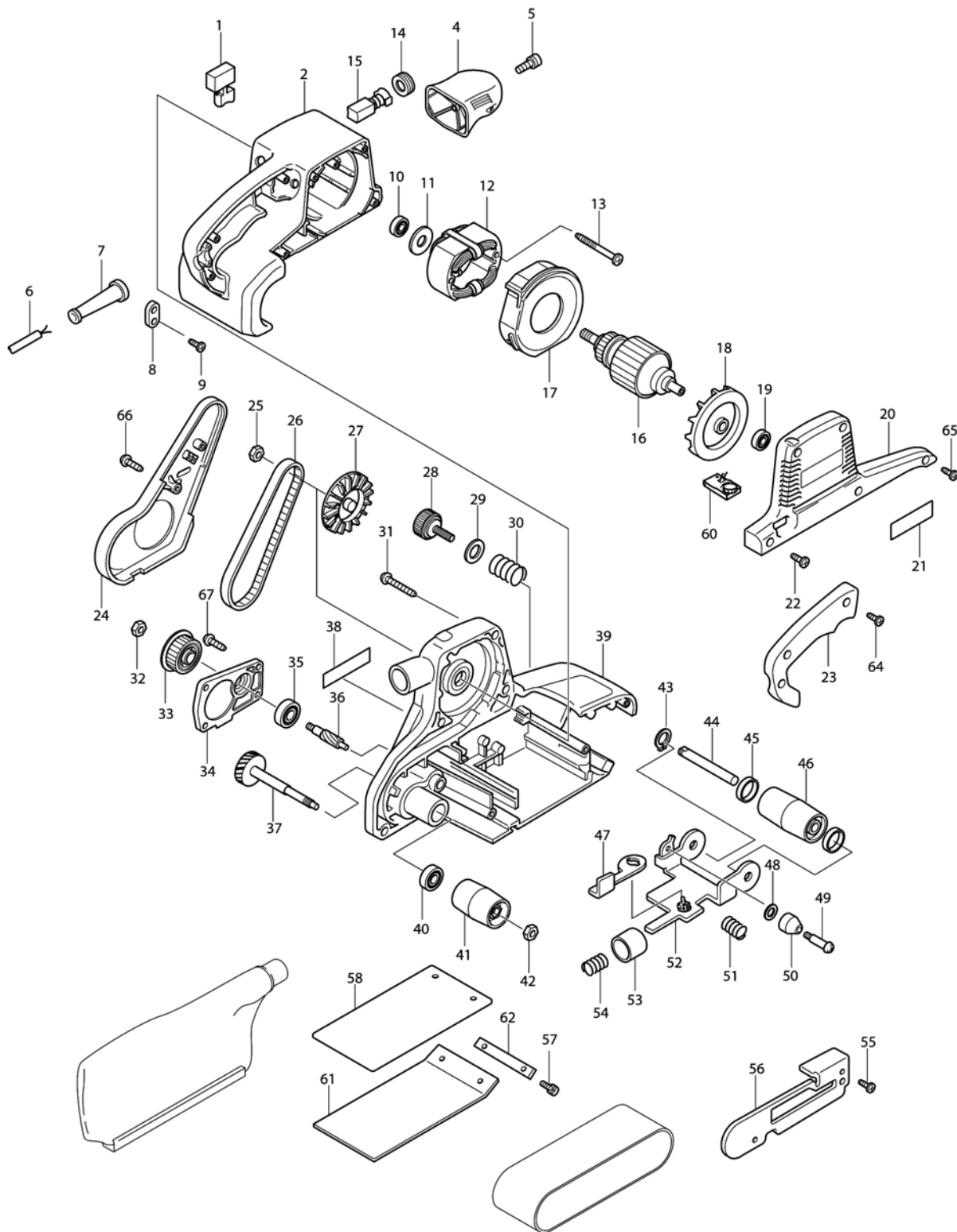


# Model No.9404 BELT SANDER 100MM



Model No.9404 BELT SANDER 100MM

Item	Parts No.	Description	I/C	Qty	New/Old	Opt. 1	Opt. 2	Note
001	651284-9	SWITCH SGEL115CDY-6		1				
002	151743-8	MOTOR HOUSING COMPLETE		1				
C10	643708-9	BRUSH HOLDER 5-11		2				
004	417049-7	FRONT GRIP		1				
005	266173-1	TAPPING SCREW 5X30		1				
006D_	665890-4	POWER SUPPLY CORD 1.0-2-4.0		1				
007B_	682540-6	CORD GUARD 9.3-90		1	*			
007B1	682505-8	CORD GUARD 10-90	O	1				
008A_	687052-4	STRAIN RELIEF		1				
009	265995-6	TAPPING SCREW 4X18		2				
010	211088-7	BALL BEARING 6000DDW		1				
011	681649-1	INSULATION WASHER		1				
012A_	523404-4	FIELD ASS'Y 230-240V		1				
C20	654502-4	CONNECTOR P-2		2	*			
C21	654501-6	CONNECTOR P-1.25	<	2	*			
C22	654502-4	CONNECTOR P-2	O	2				
C22	654502-4	CONNECTOR P-2		2				
C10	654020-2	RING TERMINAL		2				
013	266056-5	TAPPING SCREW 5X45		2				
014	643750-0	BRUSH HOLDER CAP 7-11		2	*			
014-1	643515-0	HOLDER CAP 7-11	O	2				
015	191963-2	CARBON BRUSH CB-303		1				
016A_	513339-7	ARMATURE ASS'Y 230-240V		1				
D10		INC. 10,11,18,19						
017	417050-2	BAFFLE PLATE		1				
018	240026-2	FAN 75		1				
019	210023-2	BALL BEARING 627DDW		1				
020	417048-9	MOTOR COVER		1				
021	819001-5	MAKITA LABEL		1				
022	265995-6	TAPPING SCREW 4X18		4				
023	417051-0	HANDLE COVER		1				
024	417052-8	BELT COVER		1				
025	252153-3	HEX. NUT M6-10		1				
026	225084-9	SYNCHRO BELT 6-330		1				
027	241663-5	FAN 76		1				
028	251815-0	SCREW M6X25		1				
029	253707-9	FLAT WASHER 16		1	*			
030	231225-7	COMPRESSION SPRING 16		1	*			
030-1	232573-7	COMPRESSION SPRING 16	S	1				
031	266050-7	TAPPING SCREW 4X30		5				
032	931402-8	HEX. NUT M8		1				
033	222156-1	PULLEY 9.5-46.0		1				

Please order the parts with part number.

Print Date 25/3/2020

Model No.9404 BELT SANDER 100MM

Item	Parts No.	Description	I/C	Qty	New/Old	Opt. 1	Opt. 2	Note
034	317273-1	GEAR COVER		1				
035A	211092-6	BALL BEARING 629DDW		1	*			
035-1A	210078-7	BALL BEARING 629DDW	O	1	*			
035-2A	211092-6	BALL BEARING 629DDW	O	1				
035-2B	211092-6	BALL BEARING 629DDW		1				
036	226520-8	HELICAL GEAR 10		1				
037	151755-1	HELICAL GEAR 39 COMPLETE		1				
C10	226519-3	HELICAL GEAR 39		1				
038	852039-7	NAME PLATE 9404		1				
039	151748-8	FRAME COMPLETE		1				
C20	214116-7	PLANE BEARING 12		1	*			
C21	214101-0	PLANE BEARING 12	<	1				
C21	214101-0	PLANE BEARING 12		1				
C10	212043-2	NEEDLE BEARING 810		1				
C30	344828-9	PLATE		1				
040	211088-7	BALL BEARING 6000DDW		1				
041	162217-4	DRIVING ROLLER		1				
042	252154-1	HEX. NUT M8-13		1				
043	961052-5	RETAINING RING S-12		1				
044	323932-7	TENSION ROLLER SHAFT		1				
045	253922-5	CUP WASHER 12		2				
046	151754-3	TENSION ROLLER COMPLETE		1				
C10	214116-7	PLANE BEARING 12		2				
C20	421044-1	SPONGE SHEET 42-47		1				
047	344823-9	LEVER		1				
048	267731-6	CUP WASHER 4		1				
049	265059-6	SHOULDER SCREW M4		1				
050	416417-1	ROLLER		1				
051	233249-9	COMPRESSION SPRING 7		1				
052	151745-4	TENSION ROLLER ARM COMPLETE		1				
053	267746-3	CUP WASHER 17		1				
054	233250-4	COMPRESSION SPRING 12		1				
055	266034-5	TAPPING SCREW CT 4X16		2				
056	344822-1	SAFETY COVER		1				
057A	911116-5	PAN HEAD SCREW M4X12		2	*			
057-1A	911117-3	PAN HEAD SCREW M4X12	<	2				
057-1B	911117-3	PAN HEAD SCREW M4X12		2				
058-1	193202-6	CORK RUBBER PLATE		1				
060A_	631380-9	CONTROLLER		1				
061-1	193201-8	CARBON PLATE		1				
062	344849-1	STRAP WASHER		1				
064	265995-6	TAPPING SCREW 4X18		3				

Please order the parts with part number.

Print Date 25/3/2020

Model No.9404 BELT SANDER 100MM

Item	Parts No.	Description	I/C	Qty	New/Old	Opt. 1	Opt. 2	Note
065	266034-5	TAPPING SCREW CT 4X16		1				
066	266034-5	TAPPING SCREW CT 4X16		1				
067	266034-5	TAPPING SCREW CT 4X16		4				
A01	122591-2	DUST BAG ASS'Y		1				
C10	410602-8	FASTENER		1				
A02	794135-4	ABRASIVE BELT 100X610 WA80		1				
A03B	821551-8	CONNECTOR PLASTIC CASE (TYPE3)		1	*			
C10	453974-8	LATCH		4	*			
A03-1B	821551-8	CONNECTOR PLASTIC CASE (TYPE3)	<	1				
C10	453974-8	LATCH		4				
A04B	837653-0	INNER TRAY		1				
A05B	800X26-4	9404J INDICATION LABEL		1				
A06B	800X27-2	9404J PLASTIC CASE LABEL		2				
E01	654532-5	TERMINAL BLOCK 1P		1				
E02	645105-5	NOISE SUPPRESSOR		1				

Please order the parts with part number.

Print Date 25/3/2020