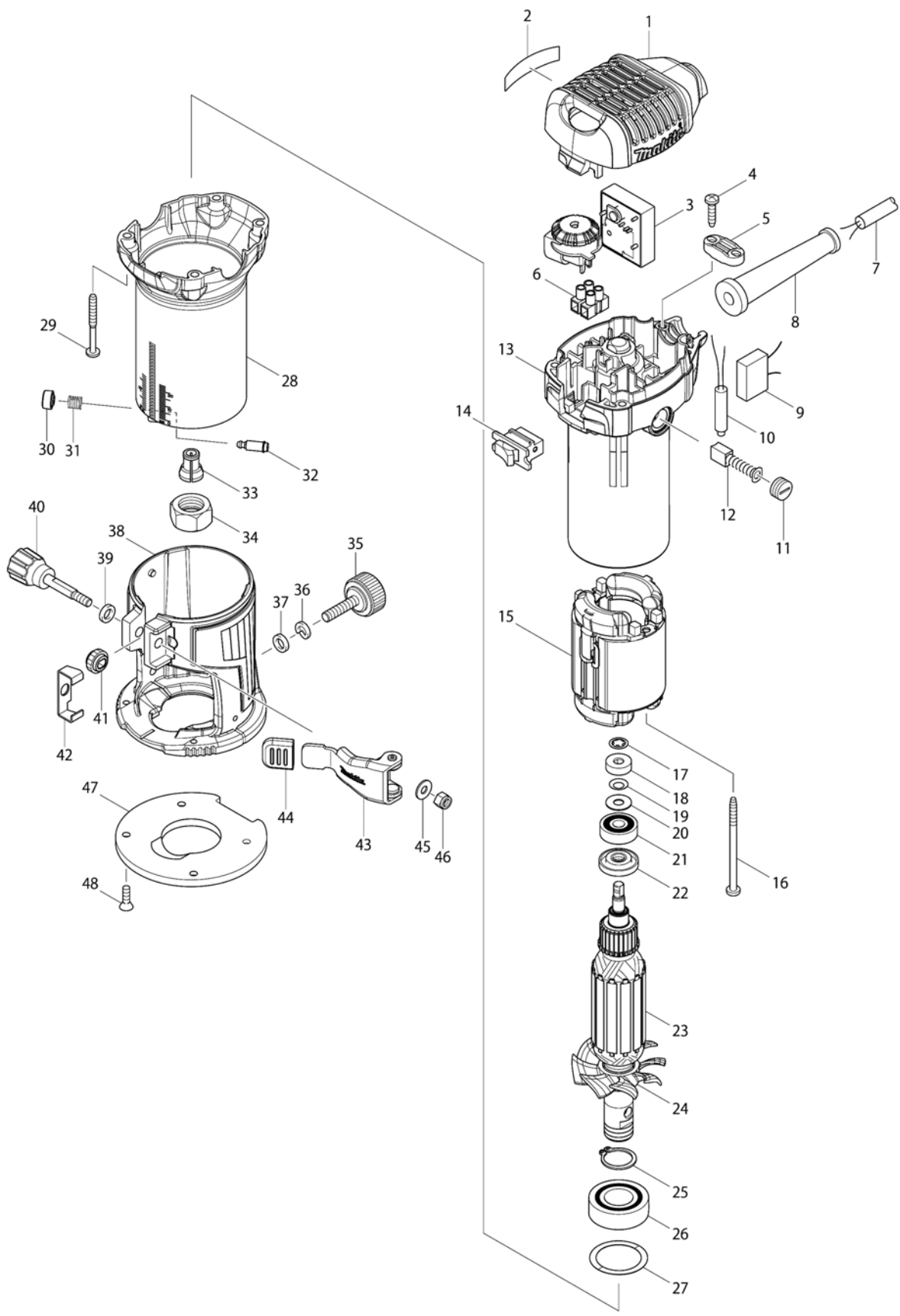


Model No.RT0700C TRIMMER



Model No.RT0700C TRIMMER

Item	Parts No.	Description	I/C	Qty	New/Old	Opt. 1	Opt. 2	Note
001	452465-6	TOP COVER		1				
002	869668-9	RT0700C NAME PLATE		1				
003	620040-8	CONTROLLER		1				
004	266326-2	TAPPING SCREW 4X18		2				
005	687124-5	STRAIN RELIEF		1				
006	654542-2	TERMINAL BLOCK 2P		1				
007	695034-2	POWER SUPPLY CORD 1.0-2-4.0		1				
008A	682569-2	CORD GUARD 8-85		1				
008B	682569-2	CORD GUARD 8-85		1				
008C	682569-2	CORD GUARD 8-85		1	*			
008D	682569-2	CORD GUARD 8-85		1	*			
008E	682569-2	CORD GUARD 8-85		1	*			
008-1C	682502-4	CORD GUARD 8-85	O	1				
008-1D	682502-4	CORD GUARD 8-85	O	1				
008-1E	682502-4	CORD GUARD 8-85	O	1				
009	645200-1	NOISE SUPPRESSOR		1				
010	646133-3	CHOKO COIL		1				
011	643550-8	BRUSH HOLDER CAP 5-8		2				
012	191940-4	CARBON BRUSH CB-411		1				
013	140736-0	BRACKET COMPLETE		1				
C10	643455-2	BRUSH HOLDER 6X9		2				
014	651527-9	SWITCH		1				
015	633769-7	FIELD 240V		1	*			
015-1	593769-8	FIELD ASS'Y 240V	<	1				
C10	654100-4	RING TERMINAL		1				
C20	654501-6	CONNECTOR P-1.25		1				
016	266340-8	TAPPING SCREW 4X65		2				
017	259039-2	SELF LOCK 6		1				
018	688174-3	MAGNET SLEEVE		1	*			
018-1	688117-5	MAGNET SLEEVE	O	1				
019	253332-6	THIN WASHER 6		1				
020	267756-0	WAVE WASHER 6		1				
021	210023-2	BALL BEARING 627DDW		1				
022	681668-7	INSULATION WASHER		1	*			
022-1	681668-7	INSULATION WASHER	O	1				
023	515844-0	ARMATURE ASS'Y 240V		1				
D10		INC. 17-22,24-26						
024	240125-0	FAN 55		1				
025	961057-5	RETAINING RING S-17		1				
026	210301-0	BALL BEARING 6003DDW		1				
027	253906-3	WAVE WASHER 26		1				
028	140735-2	OUTER HOUSING COMPLETE		1				

Please order the parts with part number.

Print Date 31/3/2020

Model No.RT0700C TRIMMER

Item	Parts No.	Description	I/C	Qty	New/Old	Opt. 1	Opt. 2	Note
029	266560-4	TAPPING SCREW 4X40		4				
030	452468-0	PUSH BUTTON		1				
031	233127-3	COMPRESSION SPRING 7		1				
032	256437-1	PIN 4		1				
033	763636-3	COLLET CONE 6MM		1				
034	763615-1	COLLET NUT		1				
035	265763-7	THUMB SCREW M6X25		1				
036	942151-2	SPRING WASHER 6		1	*			
036-1	253428-3	SPRING WASHER 6	O	1				
037	941151-9	FLAT WASHER 6		1				
038	140739-4	TRIMMER BASE COMPLETE		1	*			
038-1	142403-3	TRIMMER BASE COMPLETE	<	1				
039	941151-9	FLAT WASHER 6		1				
040	265792-0	THUMB SCREW M5X35		1				
041	227262-7	SPUR GEAR 16		1				
042	346392-6	CAM PLATE		1				
043	163524-8	LOCK LEVER COMPLETE		1				
044	424396-9	RUBBER CAP		1				
045	941101-4	FLAT WASHER 5		1				
046	252103-8	HEX. LOCK NUT M5-8		1				
047	413149-1	BASE PROTECTOR		1	*			
047-1	454842-8	BASE PROTECTOR	<	1				
048	912112-6	COUNTERSUNK HEAD SCREW M4X10		4				
A01	122965-7	STRAIGHT GUIDE ASSEMBLY		1				
C10	252649-4	THUMB NUT M6		1				
C20	266339-3	CAP SQUARE NECK BOLT M6X20		1				
C30	346382-9	GUIDE PLATE		1				
A02A	195559-1	DUST NOZZLE SET		1				
C10	265774-2	THUMB SCREW M4X19		1				
A02B	195559-1	DUST NOZZLE SET		1				
C10	265774-2	THUMB SCREW M4X19		1				
A02C	195559-1	DUST NOZZLE SET		1				
C10	265774-2	THUMB SCREW M4X19		1				
A02D	194733-8	DUST NOZZLE SET		1				
C10	213022-3	O RING 3		2				
C20	265774-2	THUMB SCREW M4X19		1				
A02E	194733-8	DUST NOZZLE SET		1				
C10	213022-3	O RING 3		2				
C20	265774-2	THUMB SCREW M4X19		1				
A03A	343577-5	TEMPLET GUIDE 10		1				
A03B	343577-5	TEMPLET GUIDE 10		1				

Please order the parts with part number.

Print Date 31/3/2020

Model No.RT0700C TRIMMER

Item	Parts No.	Description	I/C	Qty	New/Old	Opt. 1	Opt. 2	Note
A03C	343577-5	TEMPLET GUIDE 10		1				
A03D	195559-1	DUST NOZZLE SET		1				
C10	265774-2	THUMB SCREW M4X19		1				
A03E	195559-1	DUST NOZZLE SET		1				
C10	265774-2	THUMB SCREW M4X19		1				
A04A	763618-5	COLLET CONE 8MM		1				
A04B	763618-5	COLLET CONE 8MM		1				
A04C	763618-5	COLLET CONE 8MM		1				
A04D	343577-5	TEMPLET GUIDE 10		1				
A04E	343577-5	TEMPLET GUIDE 10		1				
A05A	781011-1	WRENCH 22		1				
A05B	781011-1	WRENCH 22		1				
A05C	781011-1	WRENCH 22		1				
A05D	763618-5	COLLET CONE 8MM		1				
A05E	763618-5	COLLET CONE 8MM		1				
A06A	781039-9	WRENCH 13		1				
A06B	781039-9	WRENCH 13		1				
A06C	781039-9	WRENCH 13		1				
A06D	781011-1	WRENCH 22		1				
A06E	781011-1	WRENCH 22		1				
A07B	194733-8	DUST NOZZLE SET		1				
C10	213022-3	O RING 3		2				
C20	265774-2	THUMB SCREW M4X19		1				
A07C	821552-6	CONNECTOR PLASTIC CASE (TYPE4)		1	*			
C10	453974-8	LATCH		4	*			
A07D	781039-9	WRENCH 13		1				
A07E	781039-9	WRENCH 13		1				
A07-1C	821552-6	CONNECTOR PLASTIC CASE (TYPE4)	<	1				
C10	453974-8	LATCH		4				
A08B	344364-5	TEMPLET GUIDE 16		1				
A08C	837247-1	TRAY		1				
A08D	344364-5	TEMPLET GUIDE 16		1				
A08E	344364-5	TEMPLET GUIDE 16		1				
A09B	122703-7	TRIMMER GUIDE ASS'Y		1				
C10	251471-6	- FLAT HEAD SCREW M5		1				
C20	265135-6	+ COUNTERSUNK HEAD SCREW M4X10		1				
C30	265763-7	THUMB SCREW M6X25		1				
C40	265764-5	THUMB SCREW M6		1				
C50	317788-8	GUIDE HOLDER		1				
C60	324378-0	ROLLER 11		1				
C70	341136-9	HOOK		1				

Please order the parts with part number.

Print Date 31/3/2020

Model No.RT0700C TRIMMER

Item	Parts No.	Description	I/C	Qty	New/Old	Opt. 1	Opt. 2	Note
C80	941151-9	FLAT WASHER 6		1				
A09C	801E81-5	RT0700CJ INDICATION LABEL		1				
A09D	122703-7	TRIMMER GUIDE ASS'Y		1				
C10	251471-6	- FLAT HEAD SCREW M5		1				
C20	265135-6	+ COUNTERSUNK HEAD SCREW M4X10		1				
C30	265763-7	THUMB SCREW M6X25		1				
C40	265764-5	THUMB SCREW M6		1				
C50	317788-8	GUIDE HOLDER		1				
C60	324378-0	ROLLER 11		1				
C70	341136-9	HOOK		1				
C80	941151-9	FLAT WASHER 6		1				
A09E	122703-7	TRIMMER GUIDE ASS'Y		1				
C10	251471-6	- FLAT HEAD SCREW M5		1				
C20	265135-6	+ COUNTERSUNK HEAD SCREW M4X10		1				
C30	265763-7	THUMB SCREW M6X25		1				
C40	265764-5	THUMB SCREW M6		1				
C50	317788-8	GUIDE HOLDER		1				
C60	324378-0	ROLLER 11		1				
C70	341136-9	HOOK		1				
C80	941151-9	FLAT WASHER 6		1				
A10B	195563-0	PLUNGE BASE SET		1				
D10		COMPO-PARTS						
A10C	801E82-3	RT0700CJ PLASTIC CASE LABEL		2	*			
A10D	195563-0	PLUNGE BASE SET		1				
D10		COMPO-PARTS						
A10E	195563-0	PLUNGE BASE SET		1				
D10		COMPO-PARTS						
A10-1C	8009T1-0	RT0700CJ PLASTIC CASE LABEL	O	2				
A11B	195561-4	TILT BASE SET		1	*			
D10		COMPO-PARTS			*			
A11D	195561-4	TILT BASE SET		1	*			
D10		COMPO-PARTS			*			
A11E	195561-4	TILT BASE SET		1	*			
D10		COMPO-PARTS			*			
A11-1B	198985-3	TILT BASE SET	O	1	*			
A11-1D	198985-3	TILT BASE SET	O	1	*			
A11-1E	198985-3	TILT BASE SET	O	1	*			
A11-2B	198987-9	TILT BASE SET	<	1				
A11-2D	198987-9	TILT BASE SET	<	1				
A11-2E	198987-9	TILT BASE SET	<	1				

Please order the parts with part number.

Print Date 31/3/2020

Model No.RT0700C TRIMMER

Item	Parts No.	Description	I/C	Qty	New/Old	Opt. 1	Opt. 2	Note
A12B	153489-2	GRIP 36 COMPLETE		1				
A12D	153489-2	GRIP 36 COMPLETE		1				
A12E	153489-2	GRIP 36 COMPLETE		1				
A13B	195564-8	GUIDE HOLDER SET		1				
C10	252649-4	THUMB NUT M6		1				
C20	256850-3	ROD 8		2				
C30	266339-3	CAP SQUARE NECK BOLT M6X20		1				
A13D	195564-8	GUIDE HOLDER SET		1				
C10	252649-4	THUMB NUT M6		1				
C20	256850-3	ROD 8		2				
C30	266339-3	CAP SQUARE NECK BOLT M6X20		1				
A13E	195564-8	GUIDE HOLDER SET		1				
C10	252649-4	THUMB NUT M6		1				
C20	256850-3	ROD 8		2				
C30	266339-3	CAP SQUARE NECK BOLT M6X20		1				
A14B	831327-5	TOOL BAG		1				
A14D	821552-6	CONNECTOR PLASTIC CASE (TYPE4)		1	*			
C10	453974-8	LATCH		4	*			
A14E	821552-6	CONNECTOR PLASTIC CASE (TYPE4)		1	*			
C10	453974-8	LATCH		4	*			
A14-1D	821552-6	CONNECTOR PLASTIC CASE (TYPE4)	<	1				
C10	453974-8	LATCH		4				
A14-1E	821552-6	CONNECTOR PLASTIC CASE (TYPE4)	<	1				
C10	453974-8	LATCH		4				
A15D	837247-1	TRAY		1				
A15E	837247-1	TRAY		1				
A16D	801E83-1	RT0700CX2J INDICATION LABEL		1				
A16E	801N88-5	RT0700CX5J INDICATION LABEL		1				
A17D	801E84-9	RT0700CX2J PLASTIC CASE LABEL		2	*			
A17E	801N89-3	RT0700CX5J PLASTIC CASE LABEL		2	*			
A17-1D	8009T3-6	RT0700CX2J PLASTIC CASE LABEL	O	2				
A17-1E	8009T7-8	RT0700CX5J PLASTIC CASE LABEL	O	2				
A18E	D-30209	ROUTER BIT 3PCS/SET MM		1				

Please order the parts with part number.

Print Date 31/3/2020