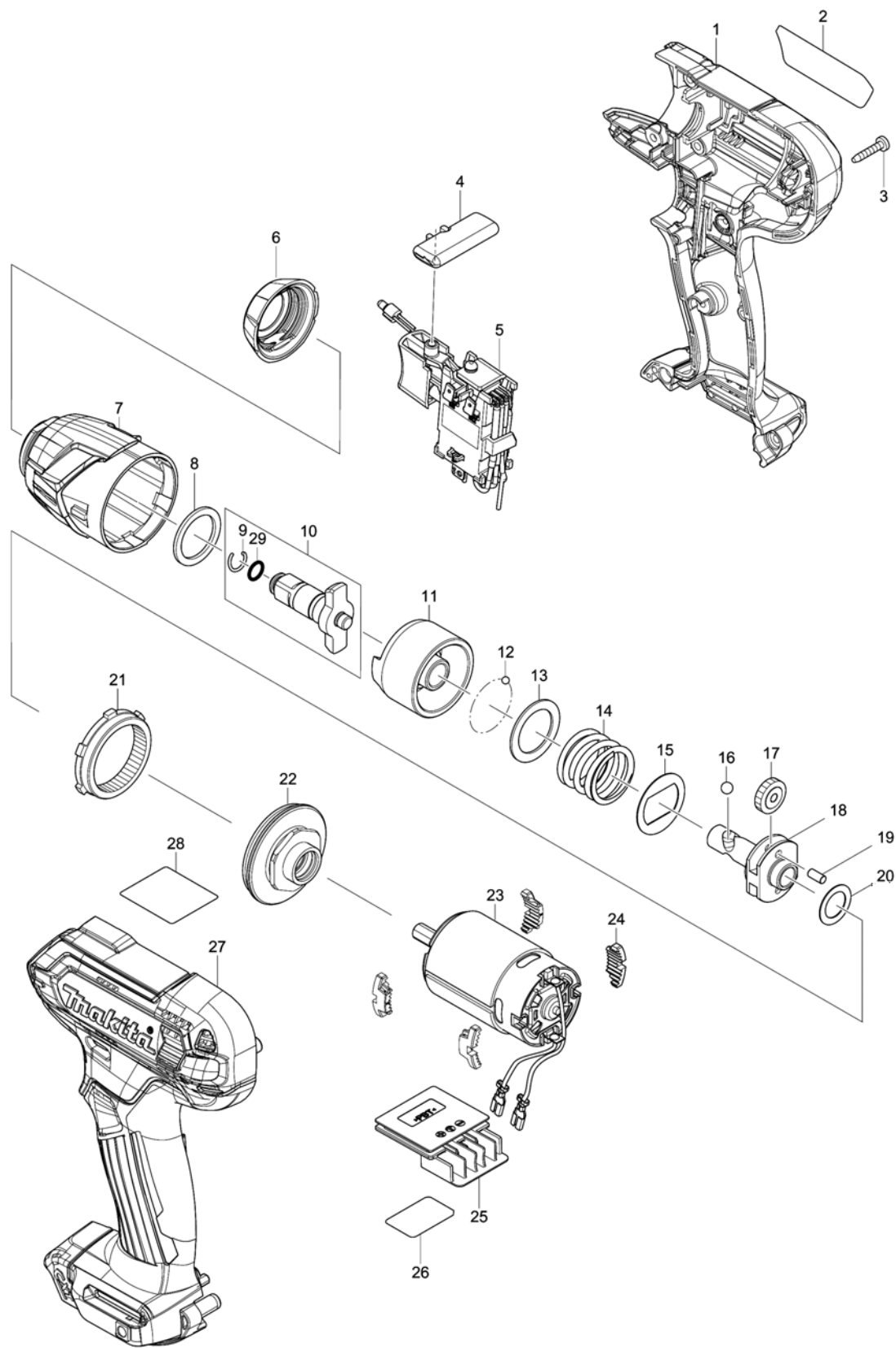


Model No.TW140D CORDLESS IMPACT WRENCH



Model No.TW140D CORDLESS IMPACT WRENCH

Item	Parts No.	Description	I/C	Qty	New/Old	Opt. 1	Opt. 2	Note
001	183J75-5	HOUSING SET		1				
C10	252126-6	HEX. LOCK NUT M4-7		2				
D10		INC. 27						
002	854M38-3	TW140D NAME PLATE		1				
003	266429-2	TAPPING SCREW 3X16		8				
004	456039-5	F/R CHANGE LEVER		1				
005	632M05-6	SWITCH UNIT		1				
C10	620625-0	LED CIRCUIT		1				
006	422228-4	BUMPER		1				
007	140B03-5	HAMMER CASE COMPLETE		1				
008	261140-1	NYLON WASHER 20		1				
009	233943-3	RING SPRING 8		1				
010	135932-3	ANVIL ASS'Y		1				
D10		INC. 9,29						
011	324894-2	HAMMER		1				
012	216019-1	STEEL BALL 3		24				
013	267380-9	FLAT WASHER 20		1				
014	234064-4	COMPRESSION SPRING 21		1				
015	267813-4	WASHER 21		1				
016	216002-8	STEEL BALL 4.8		2				
017	226190-3	SPUR GEAR 18		2				
018	327127-4	SPINDLE		1				
019	268217-3	PIN 3.5		2				
020	253052-2	FLAT WASHER 12		1				
021	226191-1	INTERNAL GEAR 45		1				
022	140B04-3	BEARING BOX COMPLETE		1				
C10	213188-9	O-RING 13		1				
023	632L97-9	MOTOR COMPLETE		1				
024	422273-9	CUSHION		4				
025	644813-5	TERMINAL		1				
026	854M45-6	TW140D SERIAL NO. LABEL		1				
027	183J75-5	HOUSING SET		1				
C10	252126-6	HEX. LOCK NUT M4-7		2				
D10		INC. 1						
029	213960-9	O RING 5		1				
A01	266622-8	+ TRUSS HEAD SCREW M4X12		1				
A02	346909-5	HOOK		1				
A03B	821549-5	CONNECTOR PLASTIC CASE (TYPE1)		1				
C10	453974-8	LATCH		4				
A04B	838312-9	INNER TRAY		1				
A05B	817G45-1	TW140DSAJ INDICATION LABEL		1				

Please order the parts with part number.

Print Date 2/9/2020

Model No.TW140D CORDLESS IMPACT WRENCH

Item	Parts No.	Description	I/C	Qty	New/Old	Opt. 1	Opt. 2	Note
A06B	817G46-9	TW140DSAJ PLASTIC CASE LABEL		2				
A07B	***DC10SA	DC10SA BATTERY CHARGER		1	*			
D10		COMPO-PARTS			*			
A07-1B	***DC10SB	DC10SB BATTERY CHARGER	<	1				
D10		COMPO-PARTS						
A08B	197396-9	BATTERY BL1021B SET		2	*			
A08-1B	197396-9	BATTERY BL1021B SET	O	2				
A09B	456128-6	BATTERY COVER		1				

Please order the parts with part number.

Print Date 2/9/2020