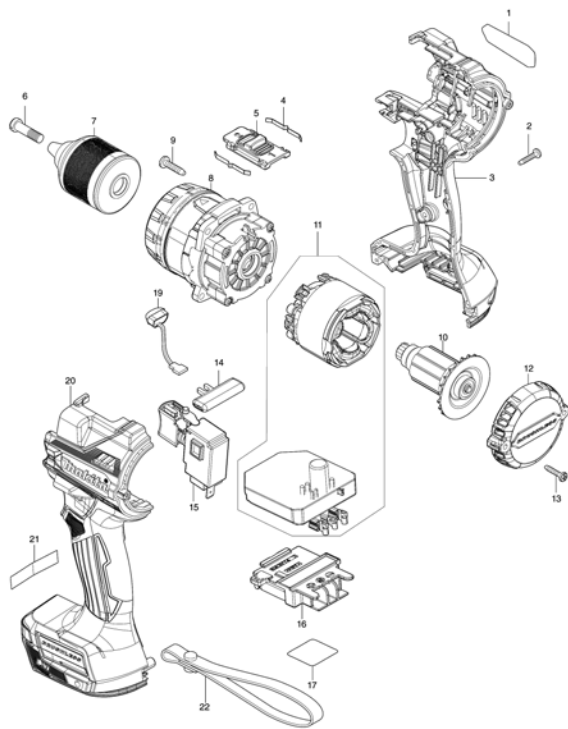


## Model No.DDF486 CORDLESS HAMMER DRIVER DRILL



<https://msi.makita.co.jp/MsiWWW/MsiWWW/swf/print.html>

1/4

## Model No.DDF486 CORDLESS HAMMER DRIVER DRILL

Item	Parts No.	Description	I/C	Qty	New/Old	Opt. 1	Opt. 2	Note
001	811B51-8	DDF486 NAME PLATE		1				
002	266130-9	TAPPING SCREW BIND PT 3X16		7				
003	183R83-4	HOUSING SET		1				
C10	263005-3	RUBBER PIN 6		2				
C20	252126-6	HEX. LOCK NUT M4-7		2				
D10		INC. 20						
004	232220-0	LEAF SPRING		2				
005	127494-5	SPEED CHANGE LEVER ASSEMBLY		1				
C10	233438-6	COMPRESSION SPRING 4		2				
006	251468-5	+ FLAT HEAD SCREW M6X22		1				
007	763252-1	KEYLESS DRILL CHUCK 13		1				
008	127699-7	GEAR ASSEMBLY		1				
009	266326-2	TAPPING SCREW 4X18		4				
010	619656-4	ROTOR		1				
011	629A33-8	STATOR COMPLETE		1				
012	413405-9	REAR COVER		1				
013	266130-9	TAPPING SCREW BIND PT 3X16		2				
014	419041-9	F/R CHANGE LEVER		1				
015	651443-5	SWITCH C3JR-4B		1				
016	643874-2	TERMINAL		1				
017	811B99-2	DDF486 SERIAL NO. LABEL		1				
019	620549-0	LED CIRCUIT		1				
020	183R83-4	HOUSING SET		1				
C10	263005-3	RUBBER PIN 6		2				
C20	252126-6	HEX. LOCK NUT M4-7		2				
D10		INC. 3						
A01	127702-4	GRIP ASSEMBLY		1				
C10	140U91-6	POLE COMPLETE		1				
C20	140X19-2	ARM R COMPLETE		1				
C30	266886-4	HEX. BOLT M8X65		1				
C40	312A63-3	ARM L		1				
C50	962055-2	RETAINING RING (INT) R-15		1				
A02	251314-2	+ SCREW M4X12		2				
A03	346317-0	HOOK		1				
A04	452947-8	BIT HOLDER		1				
A05	784637-8	+- BIT 2-45		2				
A06B	821550-0	CONNECTOR PLASTIC CASE (TYPE2)		1				
C10	453974-8	LATCH		4				
A07B	8030Y7-8	DDF486RTJ PLASTIC CASE LABEL		2				
A08B	8030Y6-0	DDF486RTJ INDICATION LABEL		1				

Please order the parts with part number.

Print Date 27/1/2021

## Model No.DDF486 CORDLESS HAMMER DRIVER DRILL

Item	Parts No.	Description	I/C	Qty	New/Old	Opt. 1	Opt. 2	Note
A09B	837916-4	INNER TRAY		1				
A10B	450128-8	BATTERY COVER		1				
A11B	***DC18RC	DC18RC FAST CHARGER		1				
D10		COMPO-PARTS						
A12B	197280-8	BATTERY BL1850B SET		2				

Please order the parts with part number.

Print Date 27/1/2021