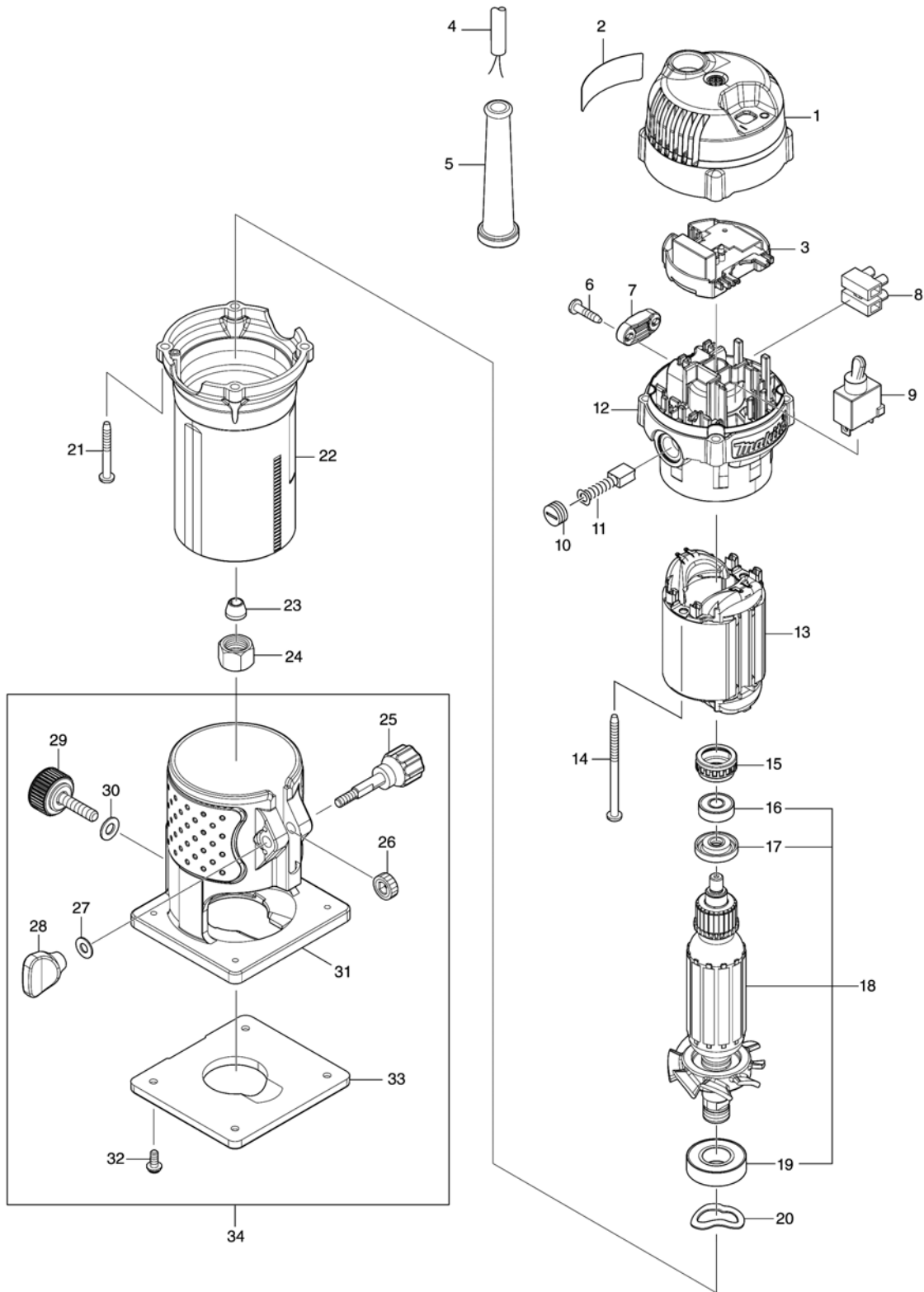


Model No.3711 TRIMMER



Model No.3711 TRIMMER

| Item | Parts No. | Description | I/C | Qty | New/Old | Opt. 1 | Opt. 2 | Note |
|------|-----------|-----------------------------|-----|-----|---------|--------|--------|------|
| 001 | 413774-8 | TOP COVER | | 1 | | | | |
| 002 | 811T68-9 | 3711 NAME PLATE | | 1 | | | | |
| 003 | 620F47-0 | CONTROLLER | | 1 | | | | |
| C10 | 646358-9 | LINE COIL | | 1 | | | | |
| 004 | 665394-6 | POWER SUPPLY CORD 1.0-2-2.5 | | 1 | | | | |
| 005 | 682569-2 | CORD GUARD 8-85 | | 1 | | | | |
| 006 | 266326-2 | TAPPING SCREW 4X18 | | 2 | | | | |
| 007 | 687124-5 | STRAIN RELIEF | | 1 | | | | |
| 008 | 654531-7 | TERMINAL BLOCK 2P | | 1 | | | | |
| 009 | 651066-9 | SWITCH ST115A-TB-S1 | | 1 | | | | |
| 010 | 643550-8 | BRUSH HOLDER CAP 5-8 | | 2 | | | | |
| 011 | 191940-4 | CARBON BRUSH CB-411 | | 1 | | | | |
| 012 | 141D19-5 | BRACKET COMPLETE | | 1 | | | | |
| 013 | 634774-7 | FIELD | | 1 | | | | |
| 014 | 266340-8 | TAPPING SCREW 4X65 | | 2 | | | | |
| 015 | 421494-0 | RUBBER RING 19 | | 1 | | | | |
| 016 | 210034-7 | BALL BEARING 607LLB | | 1 | | | | |
| 017 | 681668-7 | INSULATION WASHER | | 1 | | | | |
| 018 | 515634-1 | ARMATURE ASS'Y 240V | | 1 | | | | |
| C10 | 241667-7 | FAN 52 | | 1 | | | | |
| D10 | | INC. 16,17,19 | | | | | | |
| 019 | 211489-9 | BALL BEARING 6002LLUX | | 1 | | | | |
| 020 | 267785-3 | WAVE WASHER 23 | | 1 | | | | |
| 021 | 266351-3 | TAPPING SCREW 4X35 | | 4 | | | | |
| 022 | 141D78-9 | MOTOR HOUSING COMPLETE | | 1 | | | | |
| C10 | 8034K8-2 | SCALE LABEL | | 1 | | | | |
| 023 | 763662-2 | COLLET CONE 6 | | 1 | | | | |
| 024 | 763661-4 | COLLET NUT 6 | | 1 | | | | |
| 025 | 265771-8 | THUMB SCREW M5X33 | | 1 | | | | |
| 026 | 226217-9 | SPUR GEAR 16 | | 1 | | | | |
| 027 | 941101-4 | FLAT WASHER 5 | | 1 | | | | |
| 028 | 252652-5 | THUMB NUT M5 | | 1 | | | | |
| 029 | 265763-7 | THUMB SCREW M6X25 | | 1 | | | | |
| 030 | 941151-9 | FLAT WASHER 6 | | 1 | | | | |
| 031 | 419138-4 | BASE | | 1 | | | | |
| 032 | 265142-9 | + PAN HEAD SCREW M4X10 | | 4 | | | | |
| 033 | 410585-2 | BASE PROTECTOR | | 1 | | | | |
| 034 | 194267-1 | TRIMMER BASE ASSEMBLY SET | | 1 | | | | |
| D10 | | INC. 25-33 | | | | | | |
| A01 | 122703-7 | TRIMMER GUIDE ASS'Y | | 1 | | | | |
| C10 | 251471-6 | - FLAT HEAD SCREW M5 | | 1 | | | | |

Please order the parts with part number.

Print Date 28/12/2021

Model No.3711 TRIMMER

| Item | Parts No. | Description | I/C | Qty | New/Old | Opt. 1 | Opt. 2 | Note |
|-------|-----------|--------------------------------|-----|-----|---------|--------|--------|------|
| C20 | 265135-6 | + COUNTERSUNK HEAD SCREW M4X10 | | 1 | | | | |
| C30 | 265763-7 | THUMB SCREW M6X25 | | 1 | | | | |
| C40 | 265764-5 | THUMB SCREW M6 | | 1 | | | | |
| C50 | 317788-8 | GUIDE HOLDER | | 1 | | | | |
| C60 | 324378-0 | ROLLER 11 | | 1 | | | | |
| C70 | 341136-9 | HOOK | | 1 | | | | |
| C80 | 941151-9 | FLAT WASHER 6 | | 1 | | | | |
| A02 | 122704-5 | STRAIGHT GUIDE ASS'Y | | 1 | | | | |
| C10 | 252649-4 | THUMB NUT M6 | | 1 | | | | |
| C20 | 266339-3 | CAP SQUARE NECK BOLT M6X20 | | 1 | | | | |
| C30 | 343593-7 | GUIDE PLATE | | 1 | | | | |
| A03 | 343577-5 | TEMPLATE GUIDE 10 | | 1 | | | | |
| A04 | 781036-5 | WRENCH 10 | | 1 | | | | |
| A05 | 781037-3 | WRENCH 17 | | 1 | | | | |
| A06 | 418647-0 | CHIP DEFLECTOR | | 1 | | | | |
| A07 | 733239-7 | STRAIGHT BIT 6 | | 1 | * | | | |
| A07-1 | 191Y83-2 | STRAIGHT BIT 6 SET | O | 1 | | | | |

Please order the parts with part number.

Print Date 28/12/2021