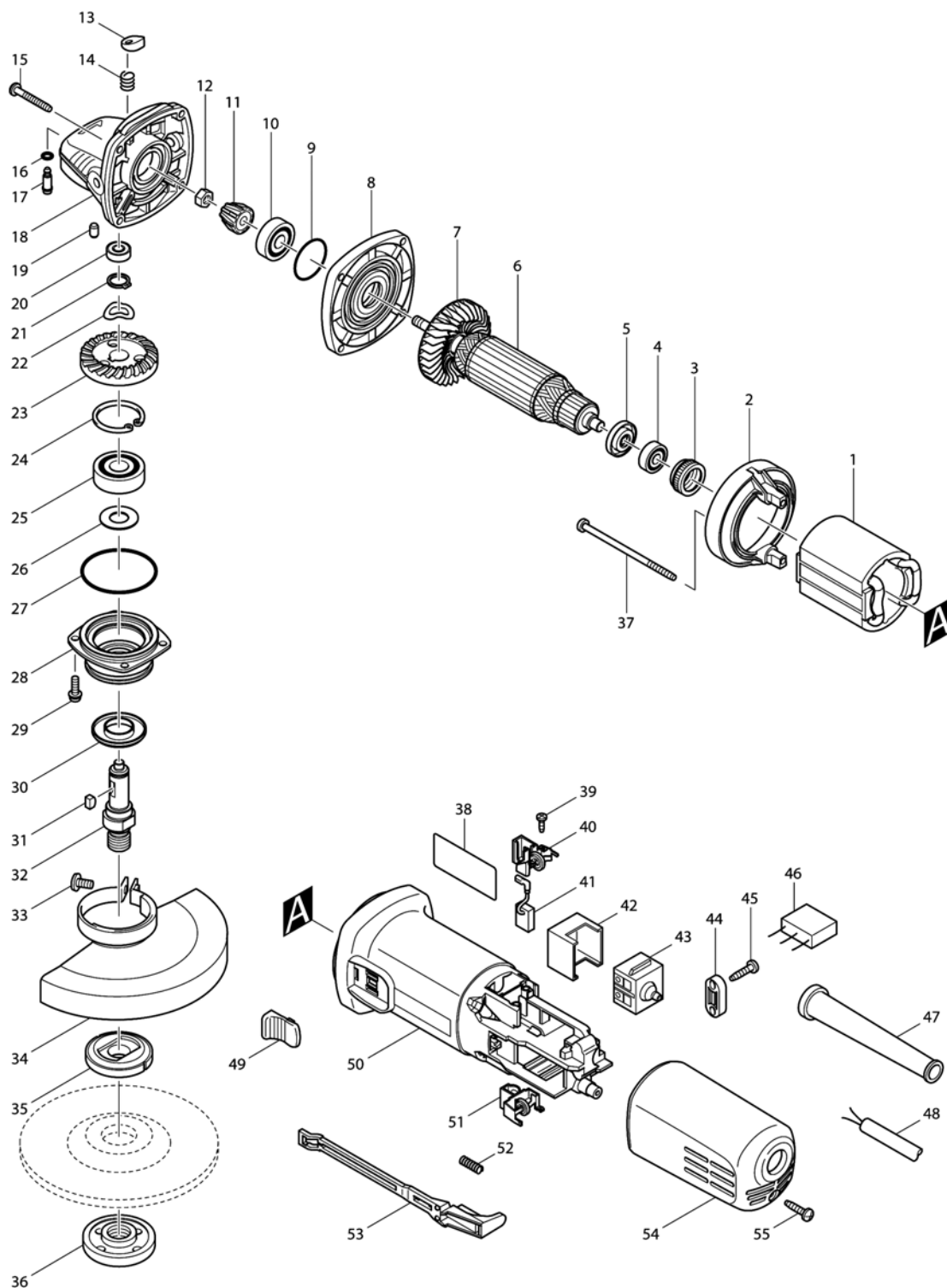


Model No.9558HN 125MM ANGLE GRINDER



Model No.9558HN 125MM ANGLE GRINDER

| Item | Parts No. | Description | I/C | Qty | New/Old | Opt. 1 | Opt. 2 | Note |
|--------|-----------|--------------------------|-----|-----|---------|--------|--------|------|
| 001 | 621708-9 | FIELD 220-240V | | 1 | | | | |
| 002 | 418770-1 | BAFFLE PLATE | | 1 | * | | | |
| 002-1 | 457791-8 | BAFFLE PLATE | < | 1 | | | | |
| 003 | 421868-5 | LABYRINTH RUBBER RING 19 | | 1 | | | | |
| 004 | 210034-7 | BALL BEARING 607LLB | | 1 | | | | |
| 005 | 681636-0 | INSULATION WASHER | | 1 | | | | |
| 006 | 515613-9 | ARMATURE ASS'Y 220-240V | | 1 | | | | |
| D10 | | INC. 4,5,7 | | | | | | |
| 007 | 240076-7 | FAN 56 | | 1 | | | | |
| 008 | 317821-6 | GEAR HOUSING COVER | | 1 | | | | |
| 009 | 213445-5 | O-RING 26 | | 1 | * | | | |
| 009-1 | 213407-3 | O RING 26 | O | 1 | | | | |
| 010 | 210042-8 | BALL BEARING 629LLB | | 1 | | | | |
| 011 | 227541-3 | SPIRAL BEVEL GEAR 10 | | 1 | | | | |
| 012 | 252186-8 | HEX. NUT M6 | | 1 | | | | |
| 013 | 417771-6 | PIN CAP | | 1 | | | | |
| 014 | 233376-2 | COMPRESSION SPRING 8 | | 1 | | | | |
| 015A | 266361-0 | TAPPING SCREW 4X30 | | 4 | * | | | |
| 015B | 266361-0 | TAPPING SCREW 4X30 | | 4 | * | | | |
| 015-1A | 266050-7 | TAPPING SCREW 4X30 | O | 4 | | | | |
| 015-1B | 266050-7 | TAPPING SCREW 4X30 | O | 4 | | | | |
| 015-1C | 266050-7 | TAPPING SCREW 4X30 | | 4 | | | | |
| 016 | 213960-9 | O RING 5 | | 1 | | | | |
| 017A | 256486-8 | SHOULDER PIN 4 | | 1 | | | | |
| 017B | 256486-8 | SHOULDER PIN 4 | | 1 | | | | |
| 017C | 256546-6 | SHOULDER PIN 4 | | 1 | | | | |
| 018A | 317814-3 | GEAR HOUSING | | 1 | * | | | |
| 018B | 317814-3 | GEAR HOUSING | | 1 | * | | | |
| 018C | 318941-9 | GEAR HOUSING | | 1 | | | | |
| 018-1A | 318051-2 | GEAR HOUSING | O | 1 | | | | |
| 018-1B | 318051-2 | GEAR HOUSING | O | 1 | | | | |
| 019 | 263002-9 | RUBBER PIN 4 | | 1 | | | | |
| 020 | 210033-9 | BALL BEARING 696ZZ | | 1 | | | | |
| 021 | 961052-5 | RETAINING RING S-12 | | 1 | | | | |
| 022 | 267794-2 | WAVE WASHER 12 | | 1 | | | | |
| 023 | 227542-1 | SPIRAL BEVEL GEAR 37 | | 1 | | | | |
| 024 | 962151-6 | RETAINING RING R-32 | | 1 | | | | |
| 025 | 211129-9 | BALL BEARING 6201DDW | | 1 | | | | |
| 026 | 267238-2 | FLAT WASHER 12 | | 1 | | | | |
| 027 | 213622-9 | O RING 45 | | 1 | | | | |
| 028A | 317819-3 | BEARING BOX | | 1 | * | | | |
| 028B | 317819-3 | BEARING BOX | | 1 | * | | | |

Please order the parts with part number.

Print Date 25/3/2020

Model No.9558HN 125MM ANGLE GRINDER

| Item | Parts No. | Description | I/C | Qty | New/Old | Opt. 1 | Opt. 2 | Note |
|--------|-----------|----------------------------|-----|-----|---------|--------|--------|------|
| 028-1A | 318331-6 | BEARING BOX | S | 1 | | | | |
| 028-1B | 318331-6 | BEARING BOX | S | 1 | | | | |
| 028-1C | 318331-6 | BEARING BOX | | 1 | | | | |
| 029 | 265099-4 | PAN HEAD SCREW M4X14 | | 4 | | | | |
| 030 | 345464-4 | LABYRINTH RING | | 1 | | | | |
| 031 | 254011-9 | WOODRUFF KEY 4 | | 1 | | | | |
| 032 | 324489-1 | SPINDLE | | 1 | | | | |
| 033A | 265103-9 | PAN HEAD SCREW M5X14 | | 1 | * | | | |
| 033B | 265103-9 | PAN HEAD SCREW M5X14 | | 1 | * | | | |
| 033-1A | 265180-1 | PAN HEAD SCREW M5X16 | < | 1 | | | | |
| 033-1B | 265180-1 | PAN HEAD SCREW M5X16 | < | 1 | | | | |
| 033-1C | 265180-1 | PAN HEAD SCREW M5X16 | | 1 | | | | |
| 034A | 125268-8 | WHEEL COVER ASS'Y | | 1 | * | | | |
| D10 | | INC. 33 | | | * | | | |
| 034B | 125268-8 | WHEEL COVER ASS'Y | | 1 | * | | | |
| D10 | | INC. 33 | | | * | | | |
| 034-1A | 122887-1 | WHEEL COVER 125K ASSY | S | 1 | * | | | |
| C10 | 213009-5 | O RING 4 | | 1 | * | | | |
| D10 | | INC. 33 | | | * | | | |
| 034-1B | 122887-1 | WHEEL COVER 125K ASSY | S | 1 | * | | | |
| C10 | 213009-5 | O RING 4 | | 1 | * | | | |
| D10 | | INC. 33 | | | * | | | |
| 034-1C | 122887-1 | WHEEL COVER 125K ASSY | | 1 | * | | | |
| C10 | 213009-5 | O RING 4 | | 1 | * | | | |
| D10 | | INC. 33 | | | * | | | |
| 034-2 | 123099-9 | WHEEL COVER 125AK ASSEMBLY | < | 1 | | | | |
| C10 | 213009-5 | O RING 4 | | 1 | | | | |
| D10 | | INC. 33 | | | | | | |
| 035 | 224415-9 | INNER FLANGE 42 | | 1 | | | | |
| 036 | 224554-5 | LOCK NUT 14-45 | | 1 | | | | |
| 037A | 266345-8 | TAPPING SCREW 4X80 | | 2 | * | | | |
| 037B | 266345-8 | TAPPING SCREW 4X80 | | 2 | * | | | |
| 037-1A | 266623-6 | +BIND TAPPING SCREW 4X80 | O | 2 | | | | |
| 037-1B | 266623-6 | +BIND TAPPING SCREW 4X80 | O | 2 | | | | |
| 037-1C | 266623-6 | +BIND TAPPING SCREW 4X80 | | 2 | | | | |
| 038 | 865808-7 | 9558HN NAME PLATE | | 1 | | | | |
| 039 | 266007-8 | TAPPING SCREW BIND PT 3X10 | | 4 | | | | |
| 040 | 643760-7 | BRUSH HOLDER | | 1 | | | | |
| 041 | 194074-2 | CARBON BRUSH CB-325 | | 1 | | | | |
| 042 | 418729-8 | SPACER | | 1 | | | | |
| 043 | 650560-8 | SWITCH DPX-2110-R | | 1 | | | | |

Please order the parts with part number.

Print Date 25/3/2020

Model No.9558HN 125MM ANGLE GRINDER

| Item | Parts No. | Description | I/C | Qty | New/Old | Opt. 1 | Opt. 2 | Note |
|--------|-----------|-----------------------------|-----|-----|---------|--------|--------|------|
| 044 | 687124-5 | STRAIN RELIEF | | 1 | | | | |
| 045A | 266326-2 | TAPPING SCREW 4X18 | | 2 | * | | | |
| 045B | 266326-2 | TAPPING SCREW 4X18 | | 2 | * | | | |
| 045-1A | 265995-6 | TAPPING SCREW 4X18 | O | 2 | | | | |
| 045-1B | 265995-6 | TAPPING SCREW 4X18 | O | 2 | | | | |
| 045-1C | 265995-6 | TAPPING SCREW 4X18 | | 2 | | | | |
| 046A | 645233-6 | NOISE SUPPRESSOR | | 1 | * | | | |
| 046B | 645233-6 | NOISE SUPPRESSOR | | 1 | * | | | |
| 046-1A | 638740-6 | CAPACITOR UNIT | S | 1 | | | | |
| 046-1B | 638740-6 | CAPACITOR UNIT | S | 1 | | | | |
| 046-1C | 638740-6 | CAPACITOR UNIT | | 1 | | | | |
| 047 | 682559-5 | CORD GUARD 8 | | 1 | | | | |
| 048 | 665394-6 | POWER SUPPLY CORD 1.0-2-2.5 | | 1 | | | | |
| 049 | 419566-3 | SWITCH KNOB | | 1 | | | | |
| 050A | 418725-6 | MOTOR HOUSING | | 1 | * | | | |
| 050B | 418725-6 | MOTOR HOUSING | | 1 | * | | | |
| 050-1A | 451125-7 | MOTOR HOUSING | < | 1 | | | | |
| 050-1B | 451125-7 | MOTOR HOUSING | < | 1 | | | | |
| 050-1C | 451125-7 | MOTOR HOUSING | | 1 | | | | |
| 051 | 643760-7 | BRUSH HOLDER | | 1 | | | | |
| 052 | 233121-5 | COMPRESSION SPRING 4 | | 1 | | | | |
| 053 | 418728-0 | SWITCH LEVER B | | 1 | | | | |
| 054 | 418726-4 | REAR COVER | | 1 | | | | |
| 055A | 266326-2 | TAPPING SCREW 4X18 | | 1 | * | | | |
| 055B | 266326-2 | TAPPING SCREW 4X18 | | 1 | * | | | |
| 055-1A | 265995-6 | TAPPING SCREW 4X18 | O | 1 | | | | |
| 055-1B | 265995-6 | TAPPING SCREW 4X18 | O | 1 | | | | |
| 055-1C | 265995-6 | TAPPING SCREW 4X18 | | 1 | | | | |
| 056 | 819329-1 | CLEAR LABEL | | 1 | * | | | |
| 056-1 | 805W65-3 | CLEAR LABEL | O | 1 | * | | | |
| A01 | 153489-2 | GRIP 36 COMPLETE | | 1 | | | | |
| A02 | 782423-1 | LOCK NUT WRENCH 35 | | 1 | | | | |
| A03B | 183981-4 | STEEL CASE SET | | 1 | * | | | |
| C10 | 819033-2 | MAKITA LABEL | | 1 | * | | | |
| A03-1B | 188627-7 | STEEL CASE SET | O | 1 | * | | | |
| A03-2B | 823256-6 | STEEL CASE | S | 1 | | | | |
| A07B | 837230-8 | TRAY | S | 1 | | | | |

Please order the parts with part number.

Print Date 25/3/2020