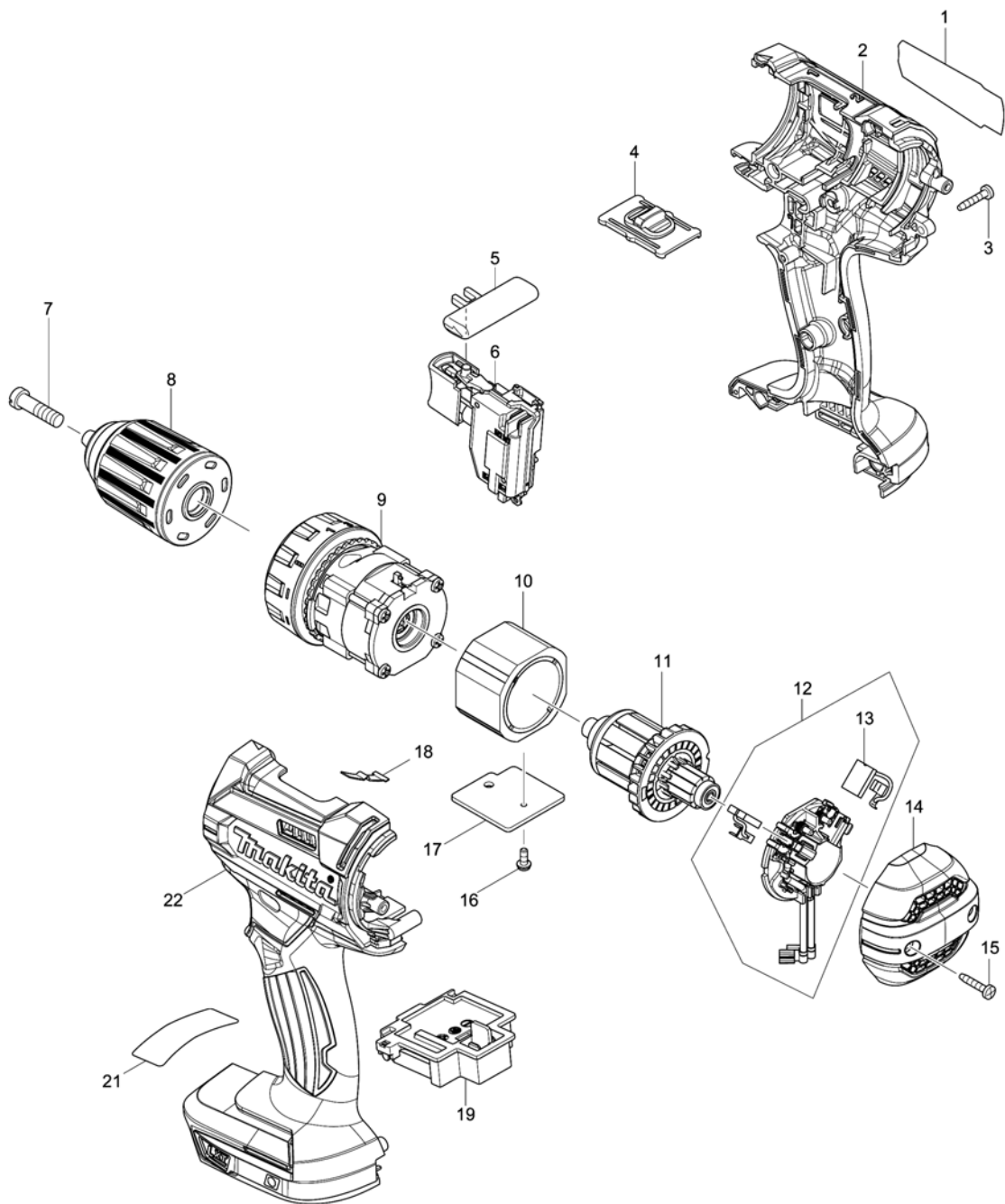


Model No.DDF482 CORDLESS DRIVER DRILL



Model No.DDF482 CORDLESS DRIVER DRILL

Item	Parts No.	Description	I/C	Qty	New/Old	Opt. 1	Opt. 2	Note
001	851E35-2	DDF482 NAME PLATE		1				
002B	183B65-0	HOUSING SET		1				
002C	183B65-0	HOUSING SET		1				
002D	183B65-0	HOUSING SET		1				
002E	183G75-7	HOUSING SET		1				
C10	263005-3	RUBBER PIN 6		2				
D10		INC. 22						
003	266429-2	TAPPING SCREW 3X16		9	*			
003-1	266130-9	TAPPING SCREW BIND PT 3X16	O	9				
004	123442-2	SPEED CHANGE LEVER ASSEMBLY		1				
C10	233438-6	COMPRESSION SPRING 4		2				
005	419041-9	F/R CHANGE LEVER		1				
006	632F27-4	SWITCH UNIT		1				
C10	620444-4	LED CIRCUIT		1				
C20	688172-7	LINE FILTER		1				
007	251468-5	- FLAT HEAD SCREW M6X22		1				
008	766027-7	KEYLESS DRILL CHUCK 13		1				
009	123444-8	GEAR ASSEMBLY		1	*			
009-1	127323-2	GEAR ASSEMBLY	<	1	*			
009-2	127511-1	GEAR ASSEMBLY	<	1				
010B	632F32-1	YOKE UNIT		1	*			
010C	632F32-1	YOKE UNIT		1	*			
010D	632F32-1	YOKE UNIT		1	*			
010E	632J70-7	YOKE UNIT		1				
010-1B	632J70-7	YOKE UNIT	<	1				
010-1C	632J70-7	YOKE UNIT	<	1				
010-1D	632J70-7	YOKE UNIT	<	1				
011	619380-9	ARMATURE		1				
012	632F21-6	BRUSH HOLDER COMPLETE		1				
C10	688172-7	LINE FILTER		1				
D10		INC. 13						
013	194427-5	CARBON BRUSH SET CB-440		1				
014B	456099-7	REAR COVER		1				
014C	456099-7	REAR COVER		1				
014D	456099-7	REAR COVER		1				
014E	457927-9	REAR COVER		1				
015	266429-2	TAPPING SCREW 3X16		2	*			
015-1	266130-9	TAPPING SCREW BIND PT 3X16	O	2				
016B	911006-2	PAN HEAD SCREW M3X8		1	*			
016C	911006-2	PAN HEAD SCREW M3X8		1	*			
016D	911006-2	PAN HEAD SCREW M3X8		1	*			

Please order the parts with part number.

Print Date 23/6/2020

Model No.DDF482 CORDLESS DRIVER DRILL

Item	Parts No.	Description	I/C	Qty	New/Old	Opt. 1	Opt. 2	Note
016-1B	652066-2	+PAN HEAD SCREW M3X9 WITH W	<	1				
016-1C	652066-2	+PAN HEAD SCREW M3X9 WITH W	<	1				
016-1D	652066-2	+PAN HEAD SCREW M3X9 WITH W	<	1				
016-1E	652066-2	+PAN HEAD SCREW M3X9 WITH W		1				
017	689070-8	HEAT SINK		1				
018	232182-2	LEAF SPRING		1				
019	644808-8	TERMINAL		1				
022B	183B65-0	HOUSING SET		1				
022C	183B65-0	HOUSING SET		1				
022D	183B65-0	HOUSING SET		1				
022E	183G75-7	HOUSING SET		1				
C10	263005-3	RUBBER PIN 6		2				
D10		INC. 2						
A01	251314-2	+ SCREW M4X12		1				
A02	346317-0	HOOK		1				
A03	784637-8	+-- BIT 2-45		1				
A04C	821550-0	CONNECTOR PLASTIC CASE (TYPE2)		1				
C10	453974-8	LATCH		4				
A04D	821550-0	CONNECTOR PLASTIC CASE (TYPE2)		1				
C10	453974-8	LATCH		4				
A04E	141331-9	PLASTIC CASE COMPLETE		1				
C10	324667-3	SHAFT		1				
C20	417724-5	LATCH		2				
C30	419216-0	HANDLE		1				
C40	450830-3	PLASTIC CASE LID		1				
C50	451028-5	PLATE		5				
A05C	450128-8	BATTERY COVER		1				
A05D	450128-8	BATTERY COVER		1				
A05E	450128-8	BATTERY COVER		1				
A06C	***DC18RC	DC18RC FAST CHARGER		1				
A06D	***DC18RC	DC18RC FAST CHARGER		1				
A06E	***DC18RC	DC18RC FAST CHARGER		1				
A07C	197265-4	BATTERY BL1840B SET		2	*			
A07D	197280-8	BATTERY BL1850B SET		2	*			
A07-1C	197265-4	BATTERY BL1840B SET	O	2				
A07-1D	197280-8	BATTERY BL1850B SET	O	2				
A07-1E	197600-6	BATTERY BL1830B SET		2	*			
A07-2E	197600-6	BATTERY BL1830B SET	O	2				
A08C	837916-4	INNER TRAY		1				
A08D	837916-4	INNER TRAY		1				

Please order the parts with part number.

Print Date 23/6/2020

Model No.DDF482 CORDLESS DRIVER DRILL

Item	Parts No.	Description	I/C	Qty	New/Old	Opt. 1	Opt. 2	Note
A08E	813C39-0	DDF482RFEB PLASTIC CASE LABEL		1	*			
A08-1E	816F07-0	DDF482RFEB PLASTIC CASE LABEL	X	1				
A09C	808J25-6	DDF482RMJ INDICATION LABEL		1	*			
A09D	808V92-3	DDF482RTJ INDICATION LABEL		1	*			
A09-1C	816F10-1	DDF482RMJ INDICATION LABEL	O	1				
A09-1D	816F18-5	DDF482RTJ INDICATION LABEL	O	1				
A10C	808J26-4	DDF482RMJ PLASTIC CASE LABEL		2	*			
A10D	808V94-9	DDF482RTJ PLASTIC CASE LABEL		2	*			
A10-1C	816F11-9	DDF482RMJ PLASTIC CASE LABEL	X	2				
A10-1D	816F19-3	DDF482RTJ PLASTIC CASE LABEL	X	2	*			
A10-2D	816F20-8	DDF482RTJ PLASTIC CASE LABEL	O	2				

Please order the parts with part number.

Print Date 23/6/2020