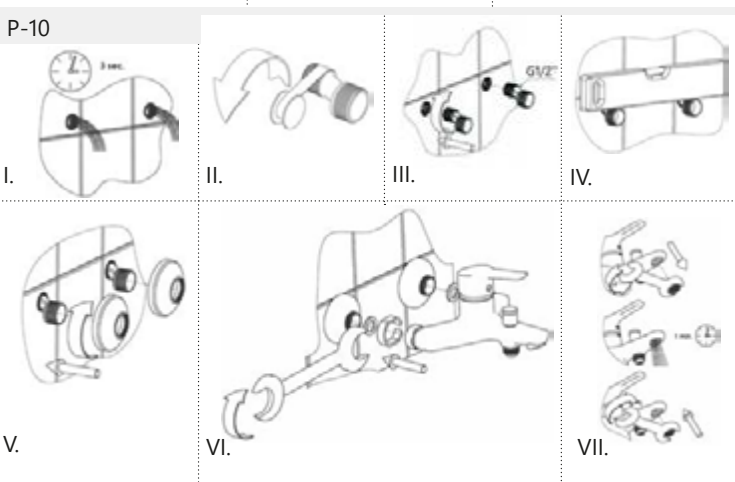
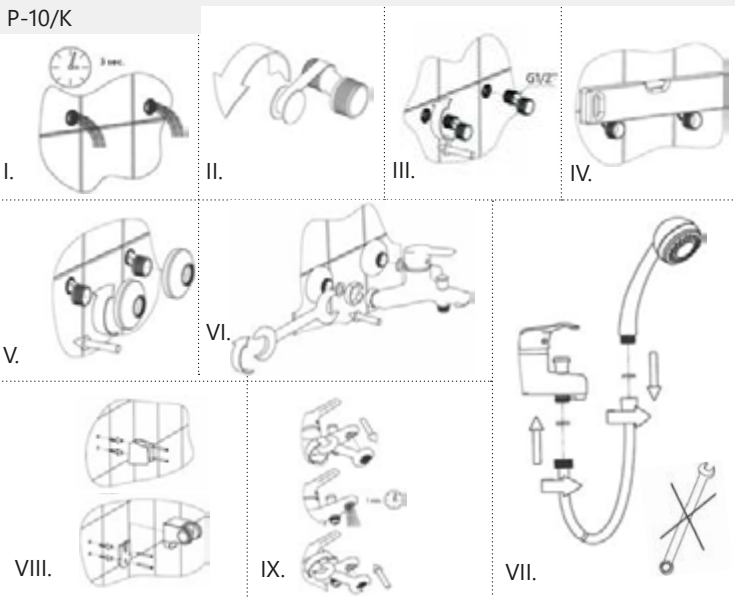
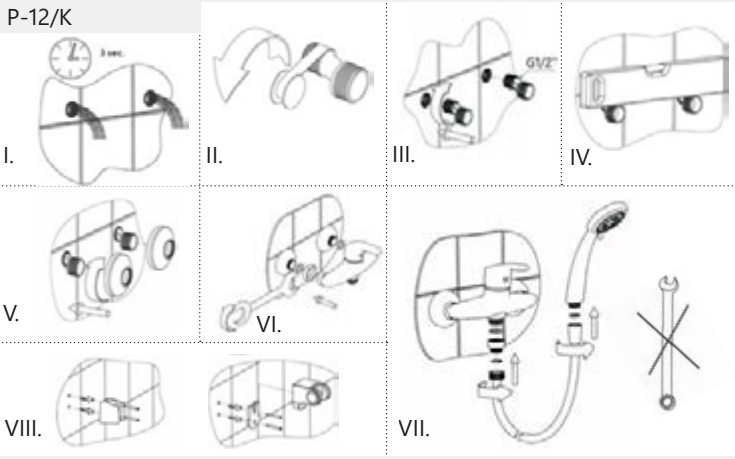
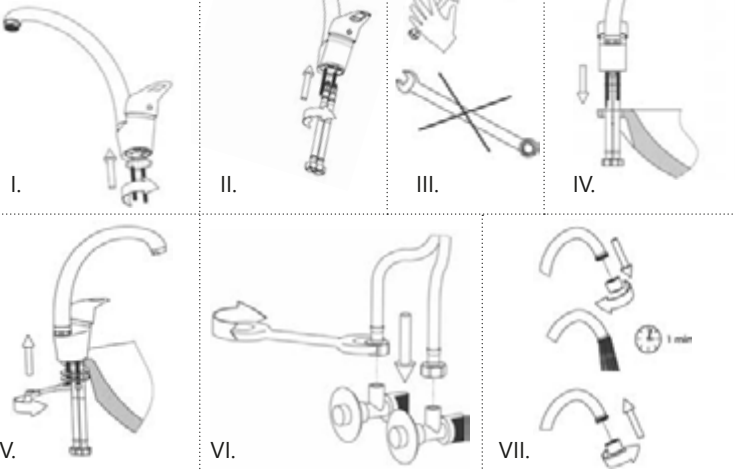


P-16 P-32
 P-18 P-33
 P-19 P-39
 P-20 P-40



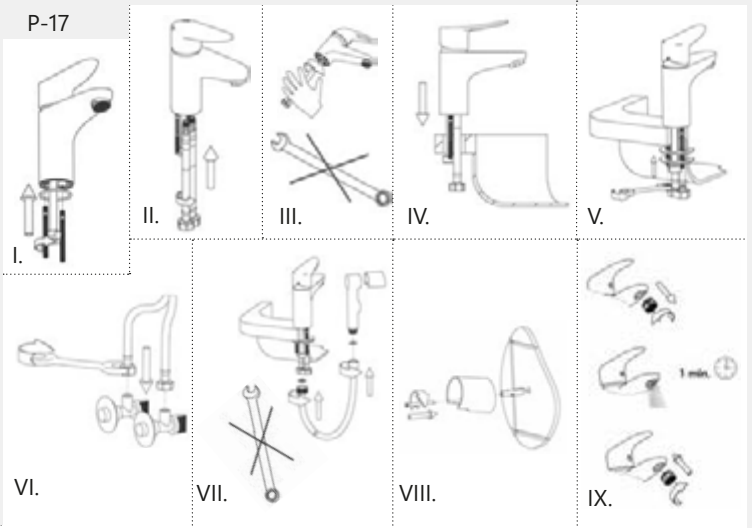
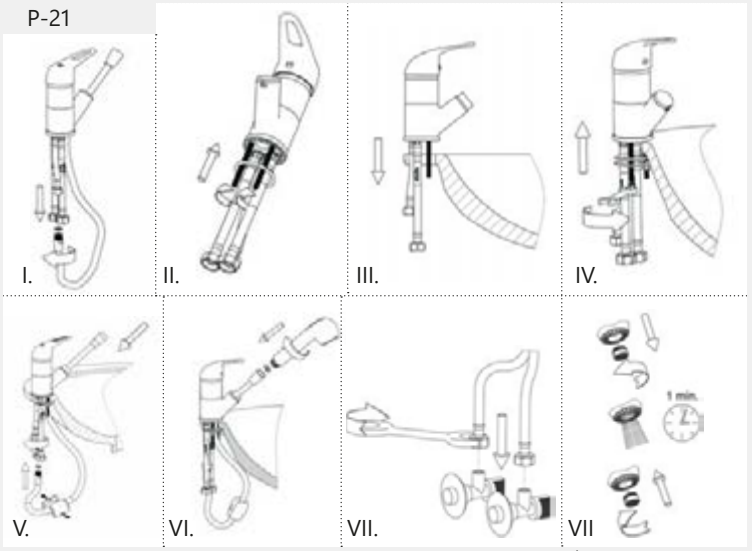

 RUBINETA



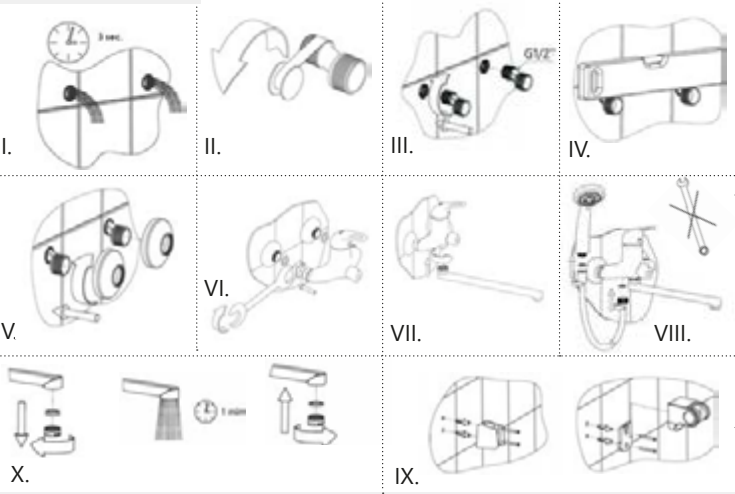
PRINCE

UAB „Rubineta“
 Savanorių pr. 180, LT-03154 Vilnius
 www.rubineta.com

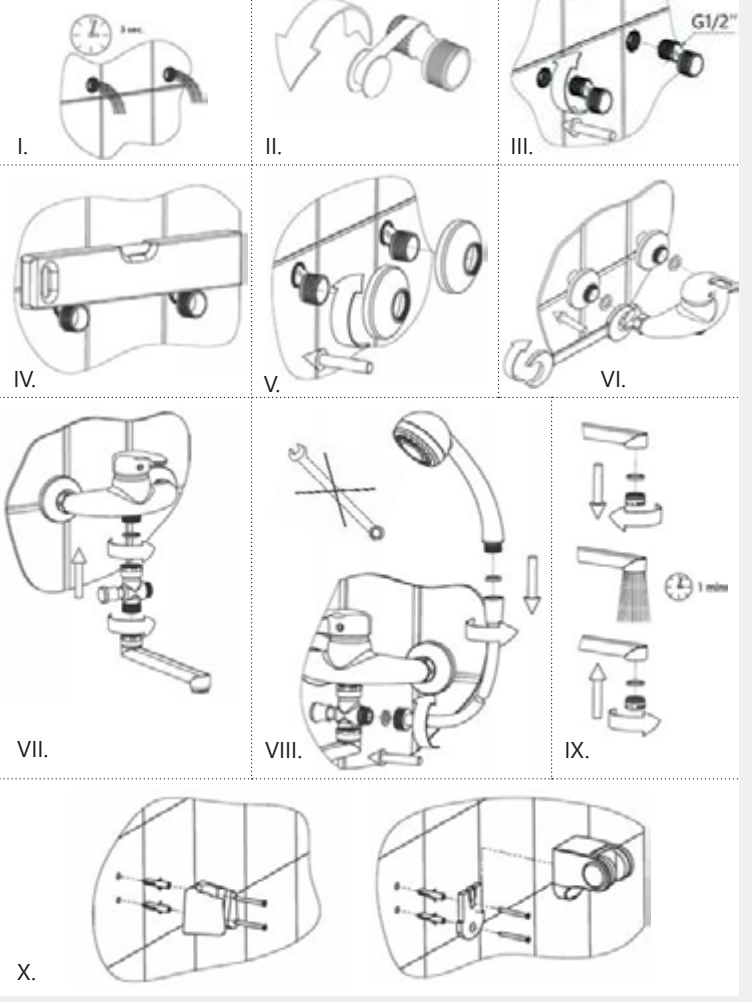
COMPANY WITH
 QUALITY SYSTEM
 CERTIFIED BY DNV
 = ISO 9001 =



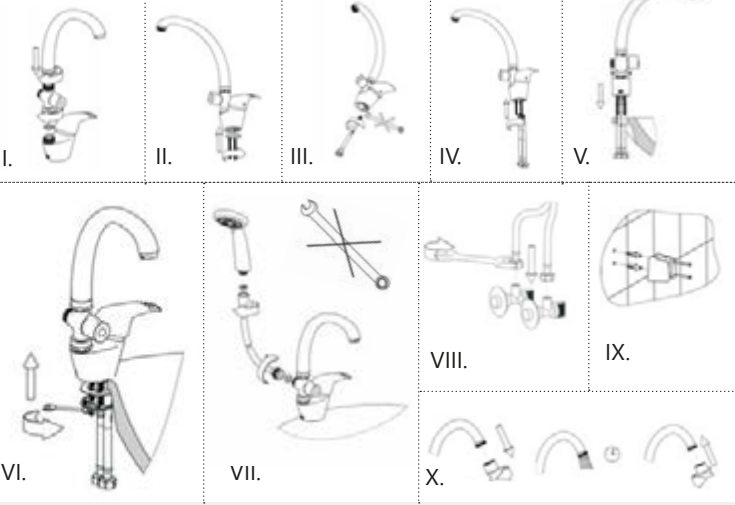
P-11/C



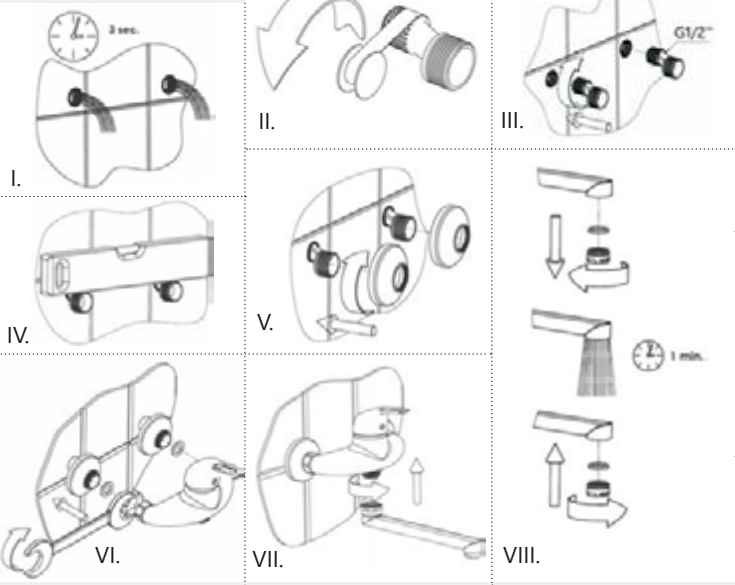
P-12/C P-12/S P-12/G



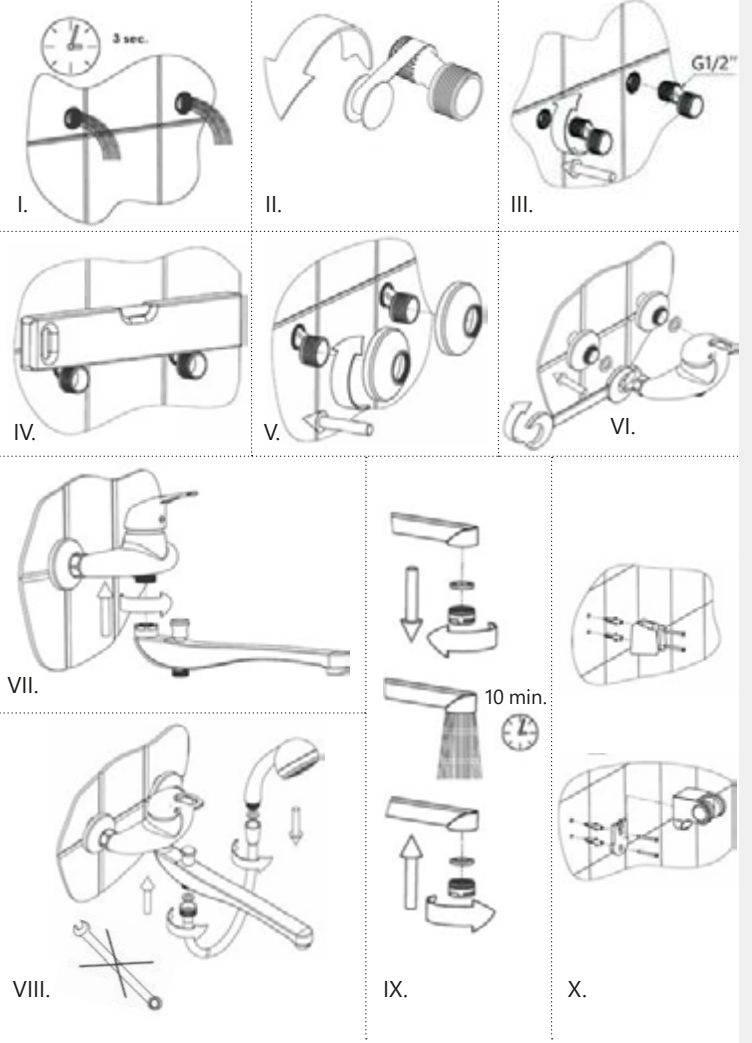
P-33/K



P-14



P-22/C



P-12

